

REVISIONS C (241299)

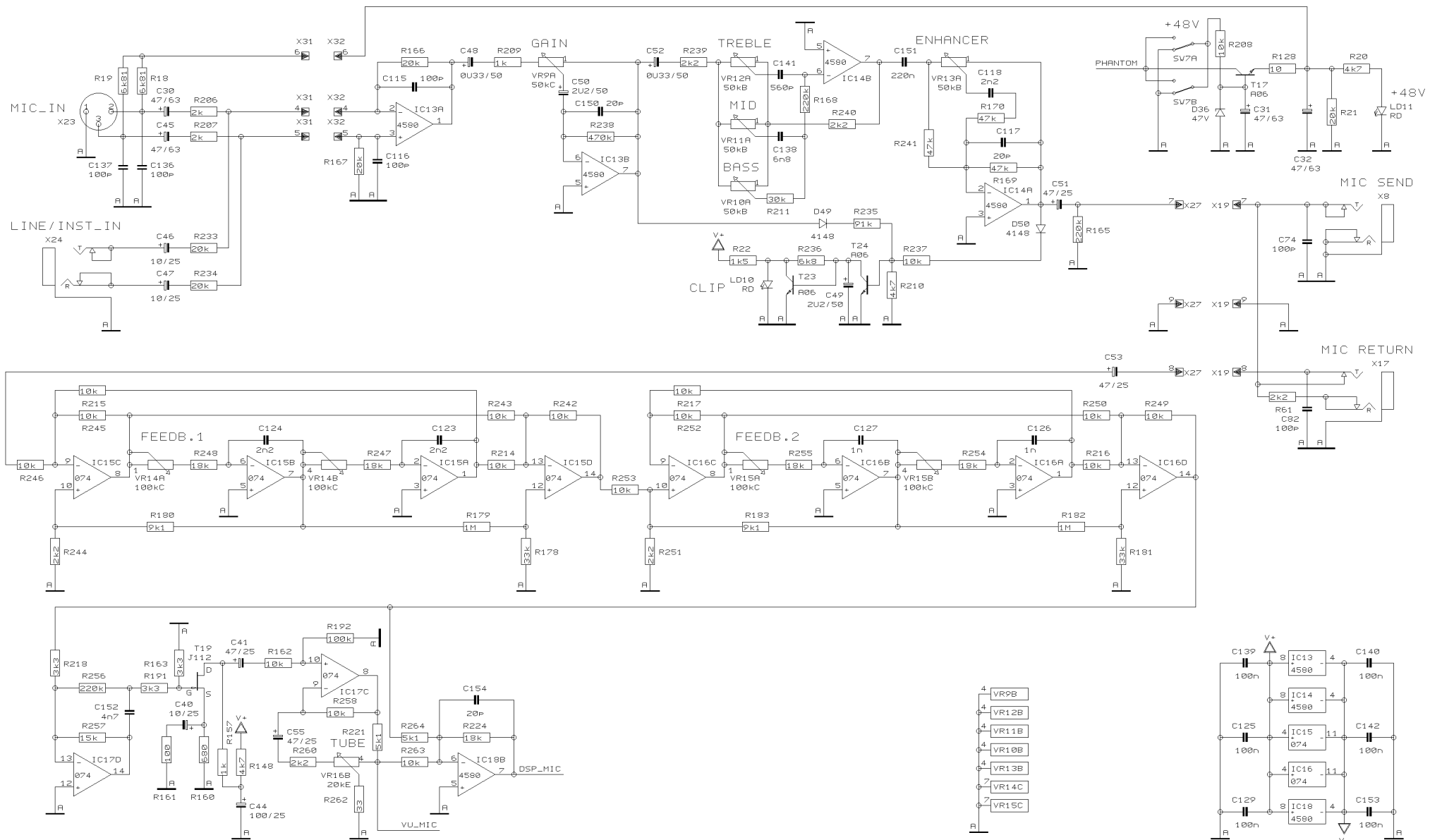
DRAWN BHK

CHECKED

DATE 19.02. 1
10:26



PROJECT
ACX1000
ULTRACOUSTIC
INSTRUMENT CHANNEL
SHEET 1 OF 5 SHEETS TOTAL



REVISIONS
C

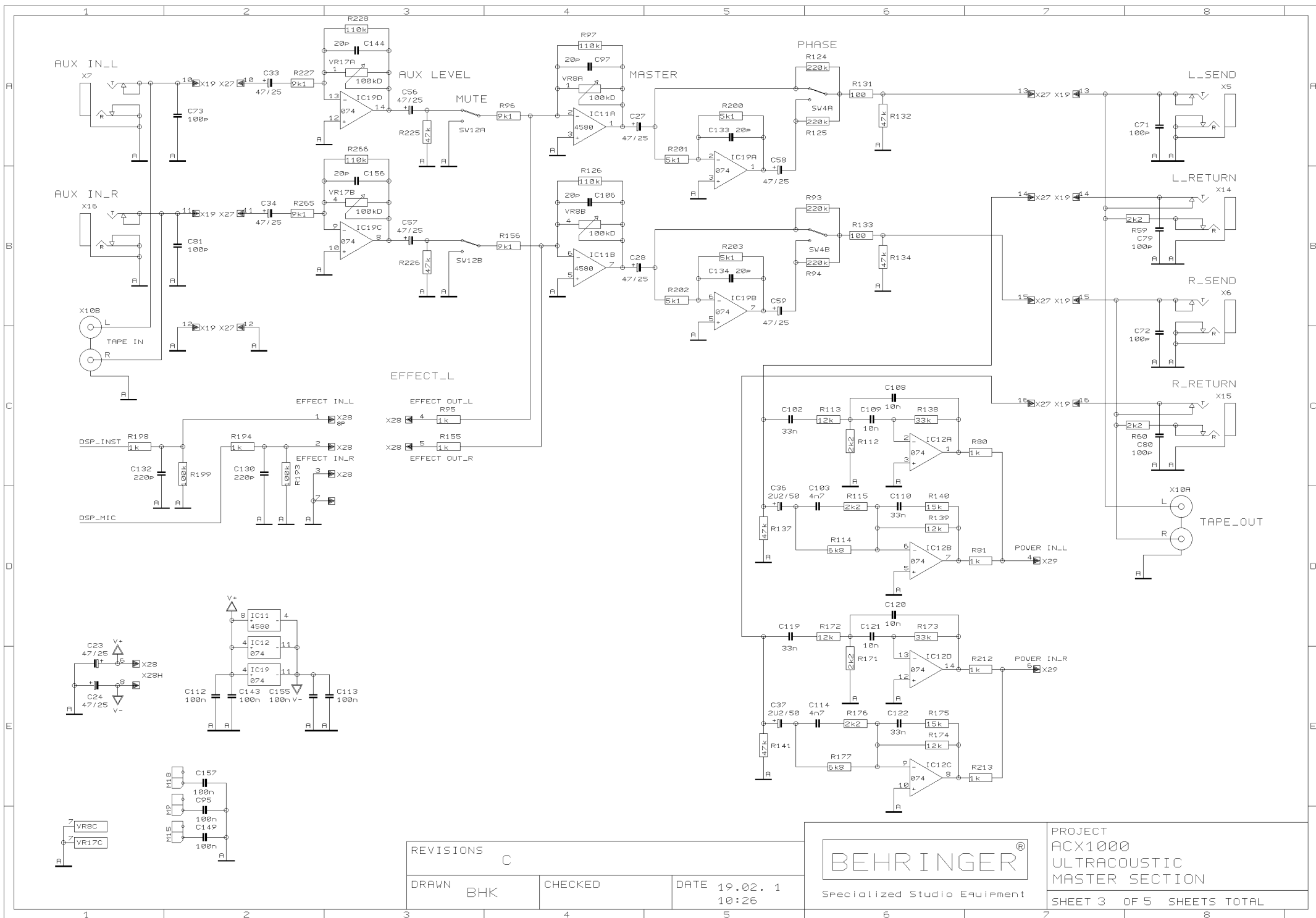
DRAWN BHK

CHECKED

DATE 19.02. 1
10:26



PROJECT
ACX1000
ULTRACOUSTIC
MIC CHANNEL
SHEET 2 OF 5 SHEETS TOTAL



REVISIONS C

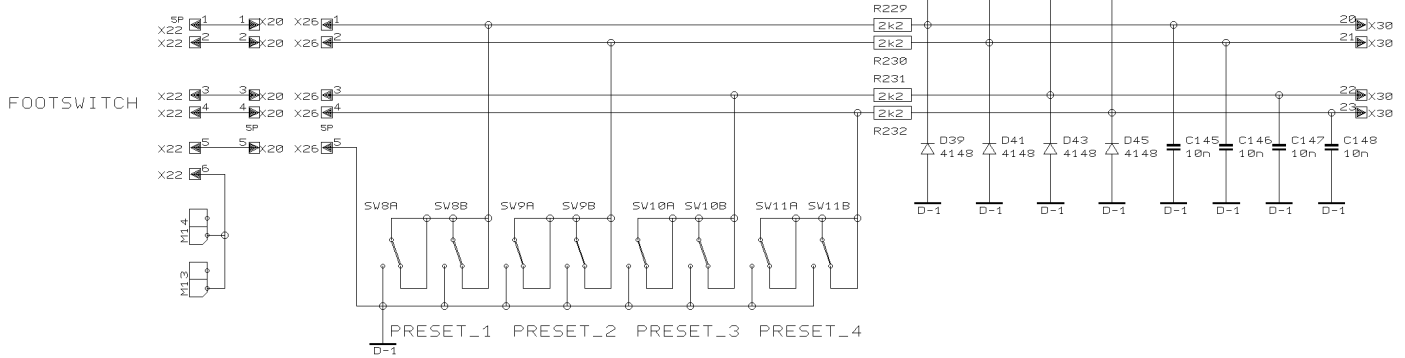
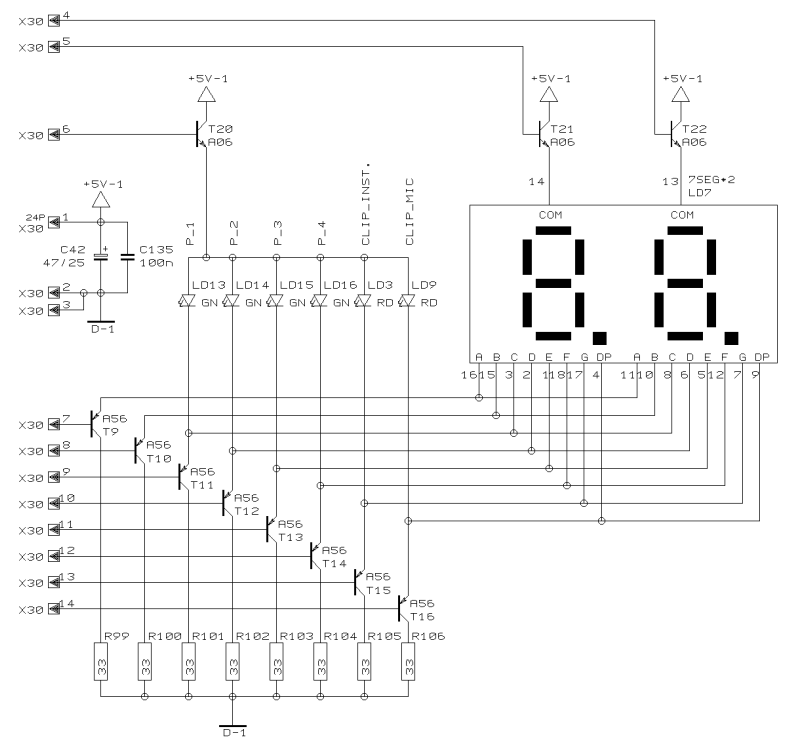
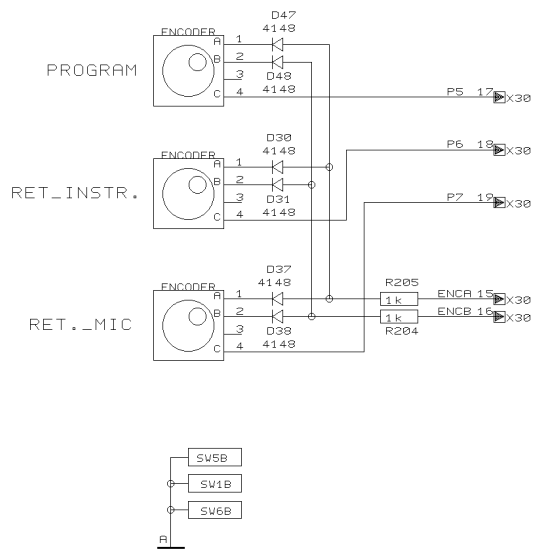
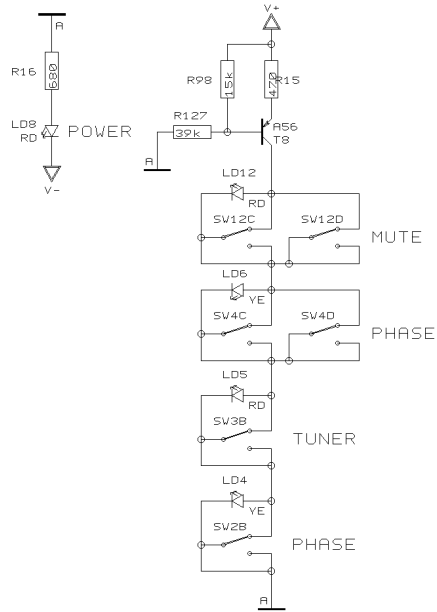
DRAWN BHK

CHECKED

DATE 19.02. 1
10:26



PROJECT
ACX1000
ULTRACOUSTIC
MASTER SECTION
SHEET 3 OF 5 SHEETS TOTAL



| | | | |
|-----------|-----|---------|-------------------|
| REVISIONS | | C | |
| DRAWN | BHK | CHECKED | DATE 19.02. 10:26 |



PROJECT
ACX1000
ULTRACOUSTIC
DIGITAL INTERFACE
SHEET 4 OF 5 SHEETS TOTAL

