

REVISIONS F (180401)

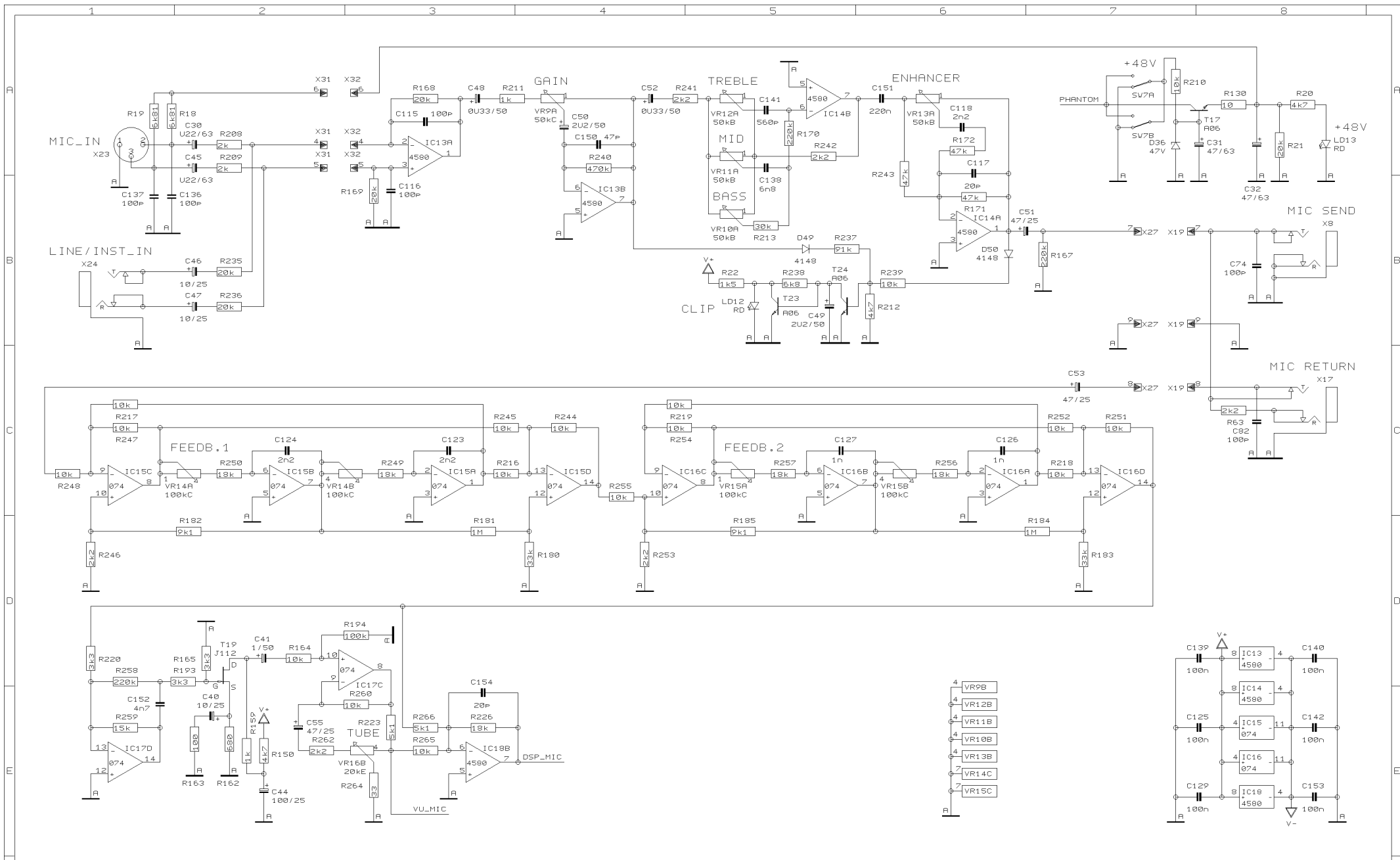
DRAWN BHK

CHECKED

DATE 04.04. 2
13:42



PROJECT
ACX1000
ULTRACOUSTIC
INSTRUMENT CHANNEL
SHEET 1 OF 5 SHEETS TOTAL



REVISIONS F

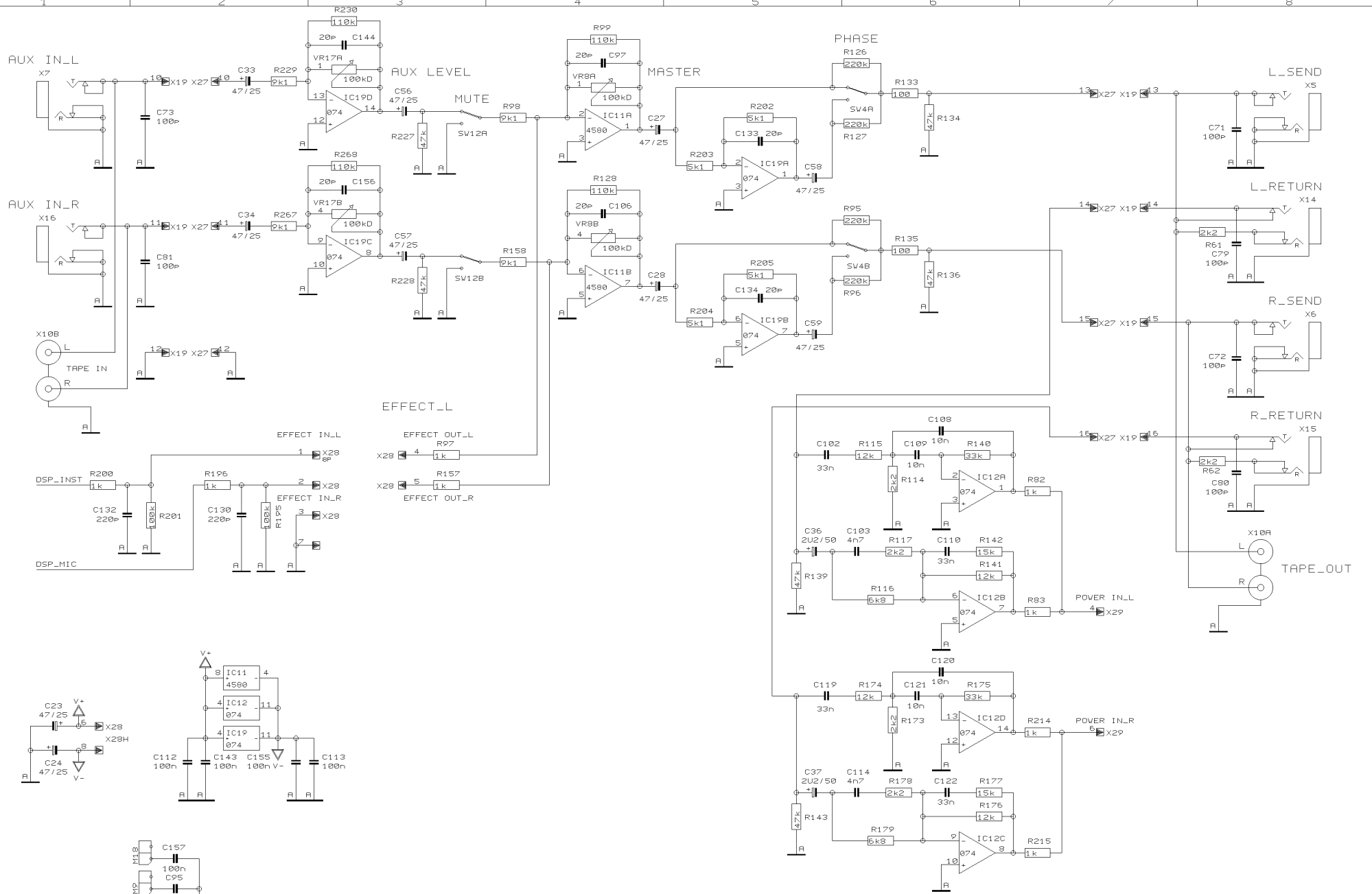
DRAWN BHK

CHECKED

DATE 04.04. 2
13:42



PROJECT
ACX1000
ULTRACOUSTIC
MIC CHANNEL
SHEET 2 OF 5 SHEETS TOTAL



REVISIONS F

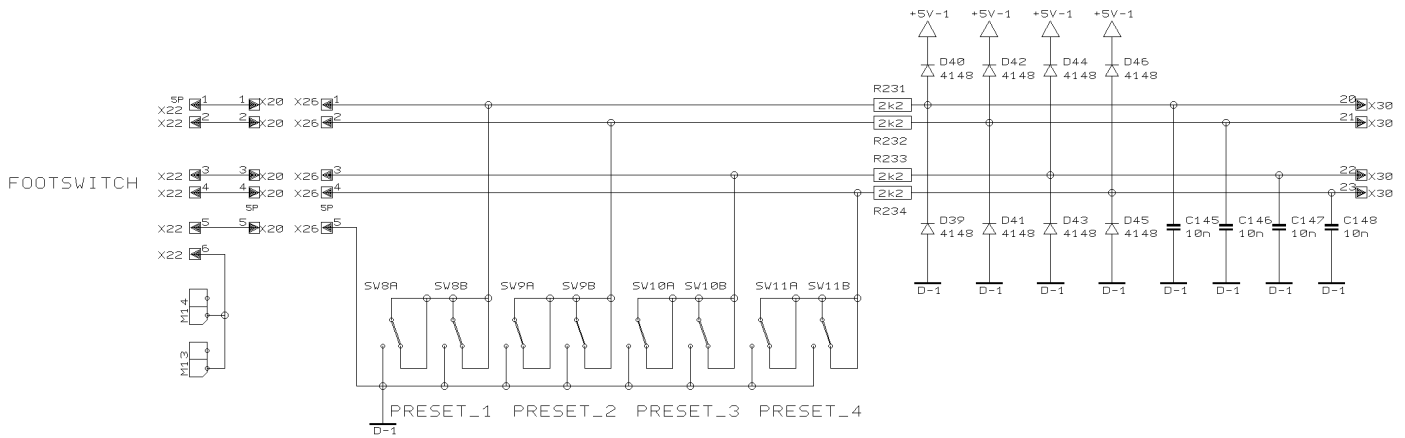
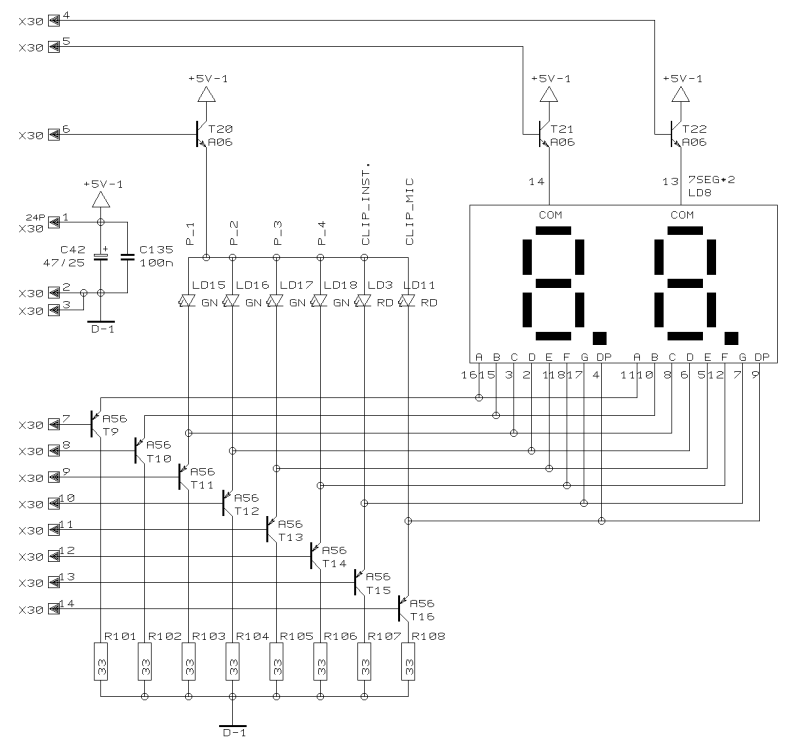
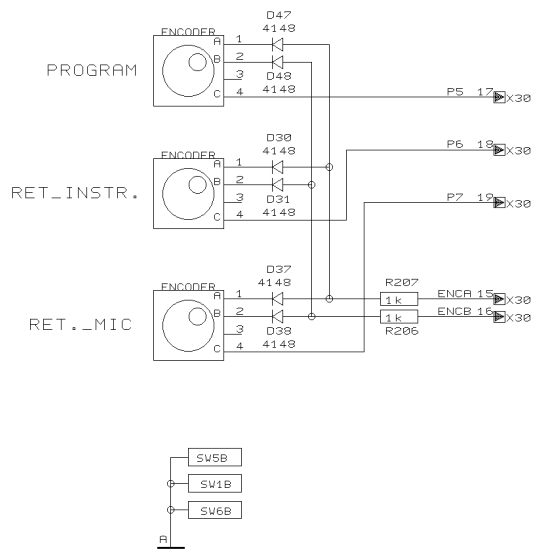
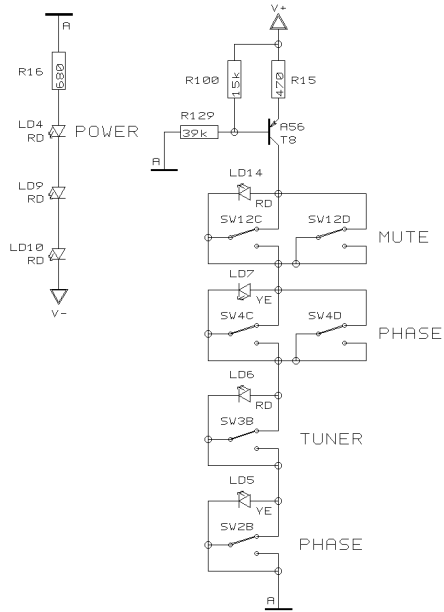
DRAWN BHK

CHECKED

DATE 04.04. 2
13:43



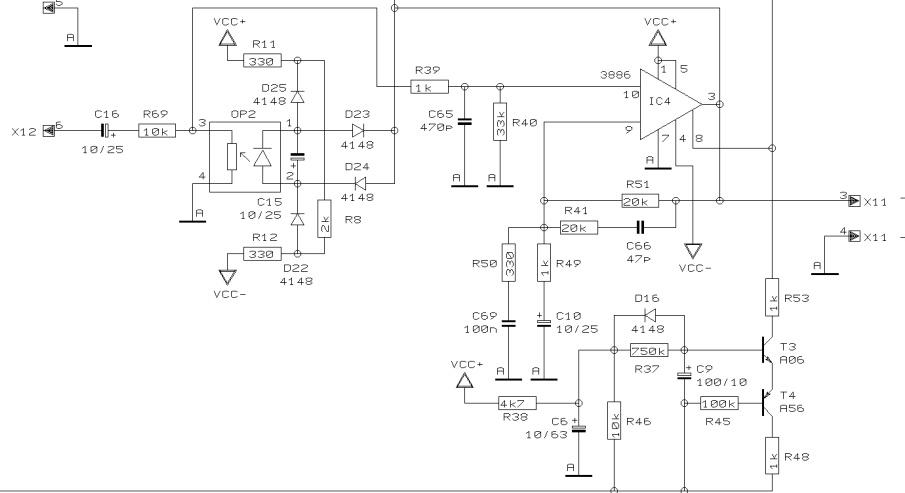
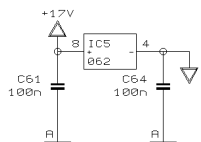
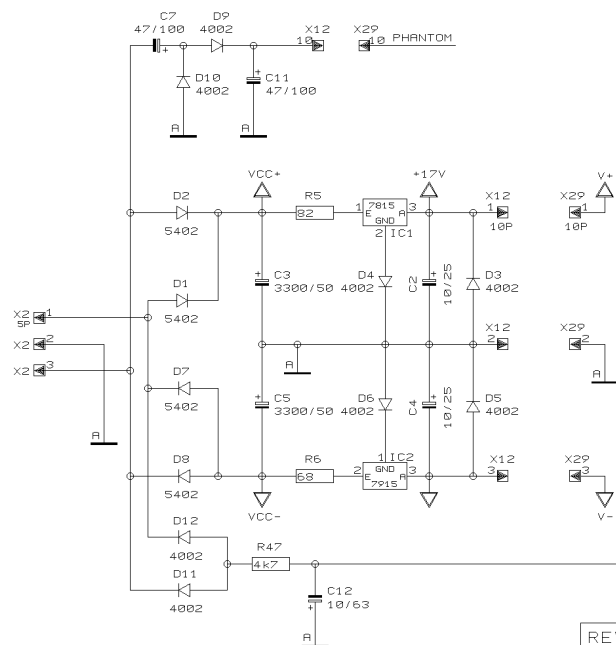
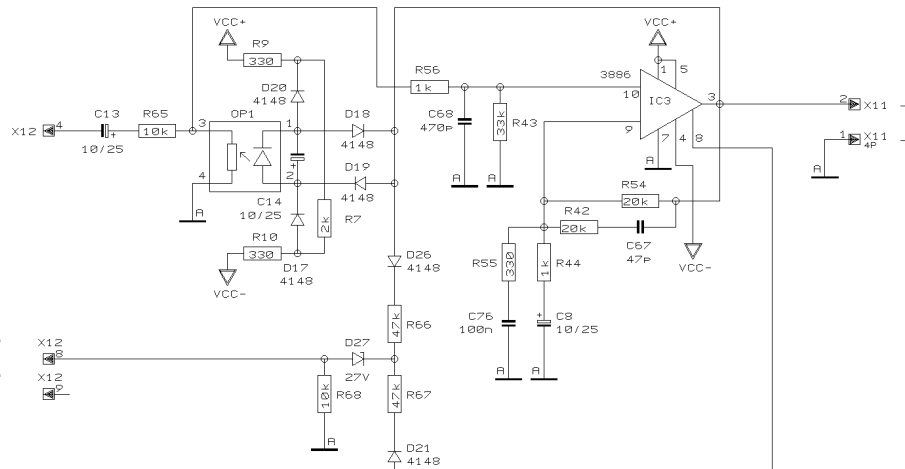
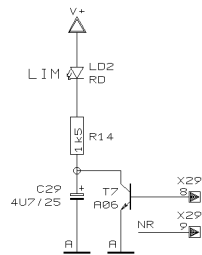
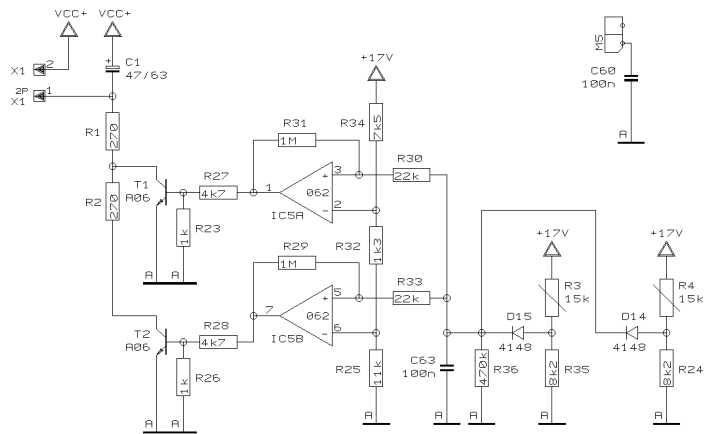
PROJECT
ACX1000
ULTRACOUSTIC
MASTER SECTION
SHEET 3 OF 5 SHEETS TOTAL



REVISIONS		F
DRAWN	BHK	CHECKED
DATE		04.04. 2 13:43



PROJECT
ACX1000
ULTRACOUSTIC
DIGITAL INTERFACE
SHEET 4 OF 5 SHEETS TOTAL



REVISIONS		F
DRAWN	BHK	CHECKED
DATE		04.04. 2
		13:44



PROJECT
ACX1000
ULTRACOUSTIC
POWER AMPLIFIER & PSU
SHEET 5 OF 5 SHEETS TOTAL