

REVISIONS D (280700)

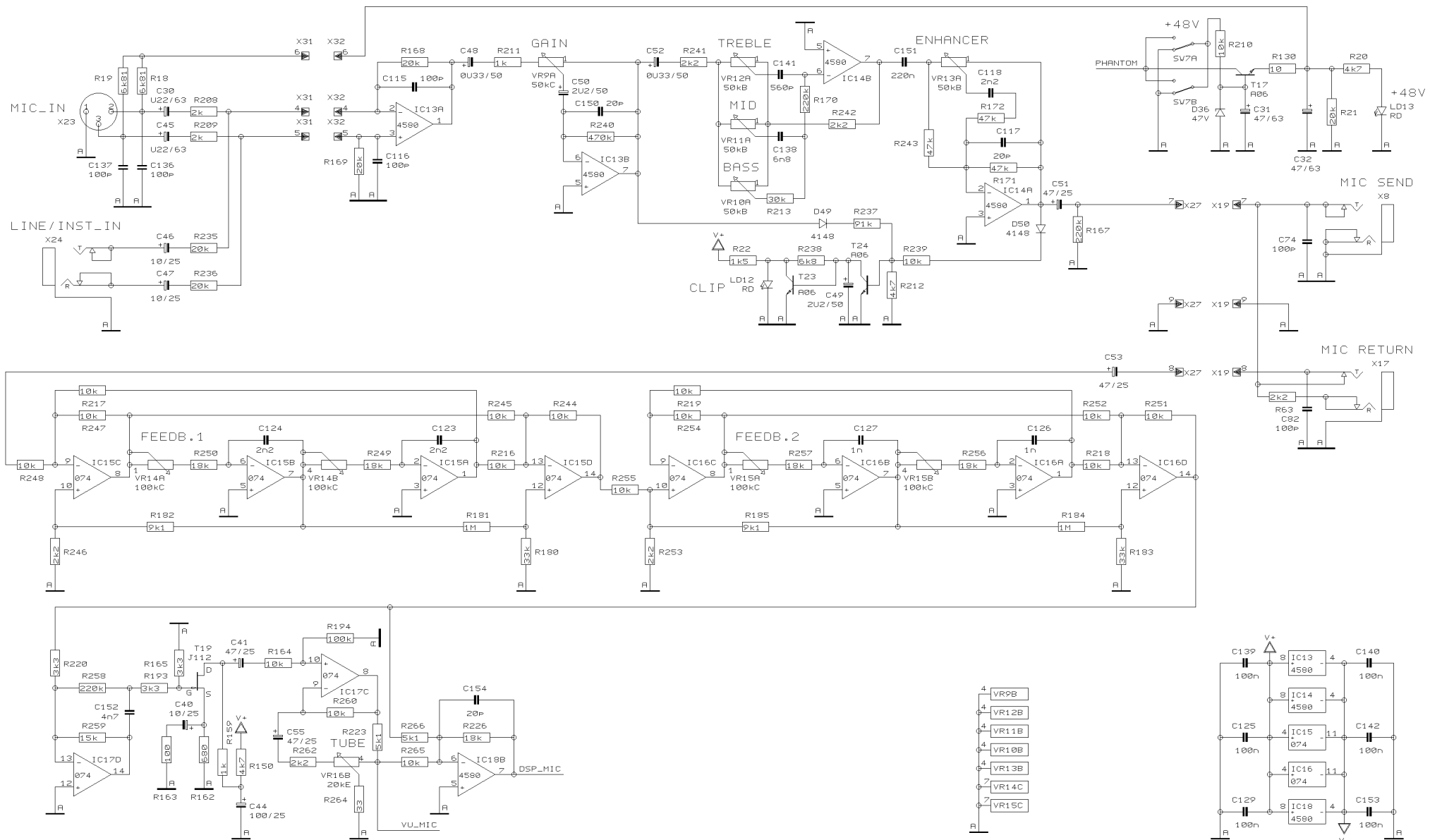
DRAWN BHK

CHECKED

DATE 19.02. 1
10:27



PROJECT
ACX1000
ULTRACOUSTIC
INSTRUMENT CHANNEL
SHEET 1 OF 5 SHEETS TOTAL



REVISIONS

D

DRAWN BHK

CHECKED

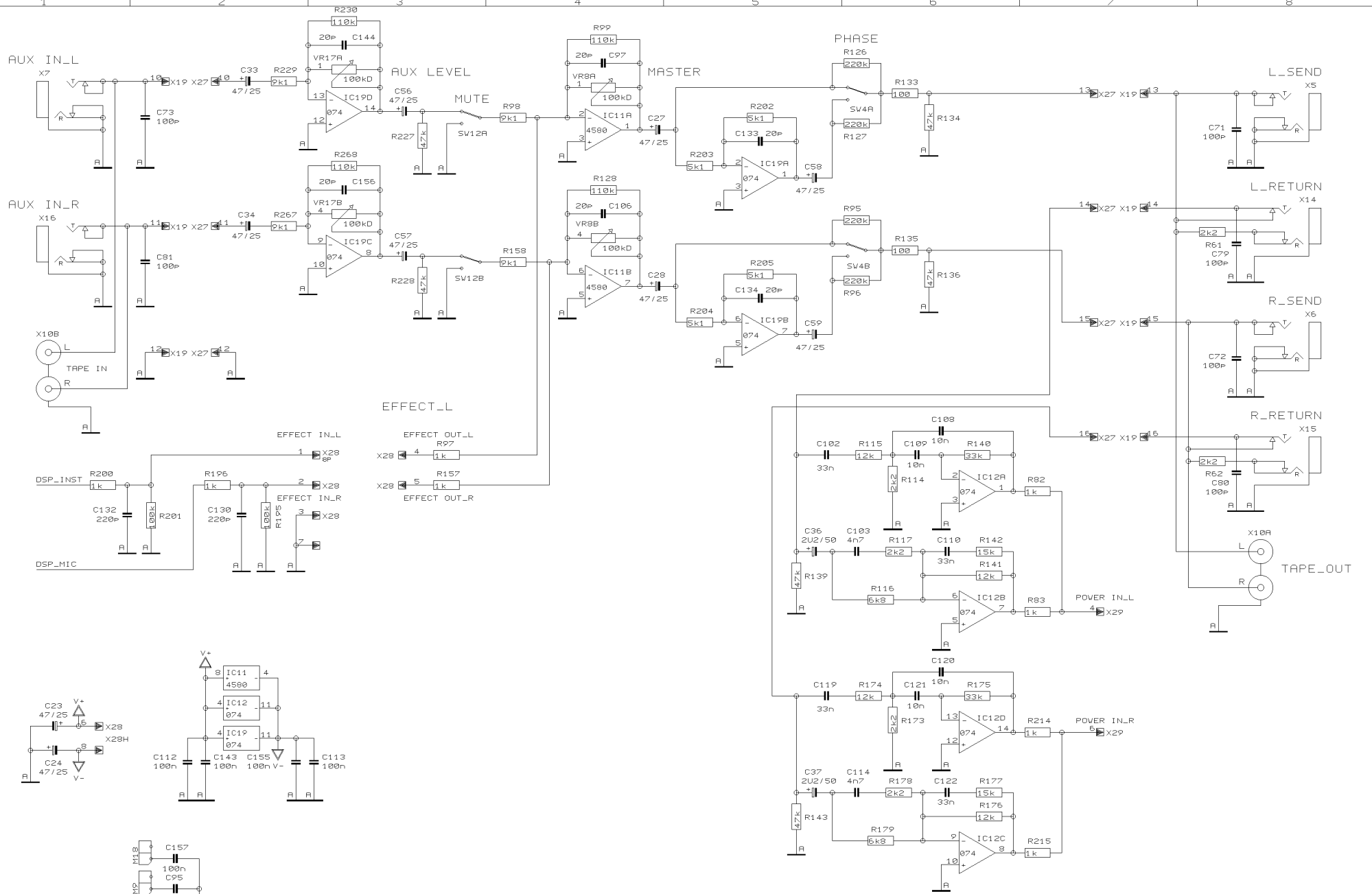
DATE 19.02. 1
10:27

BEHRINGER®

Specialized Studio Equipment

PROJECT
ACX1000
ULTRACOUSTIC
MIC CHANNEL

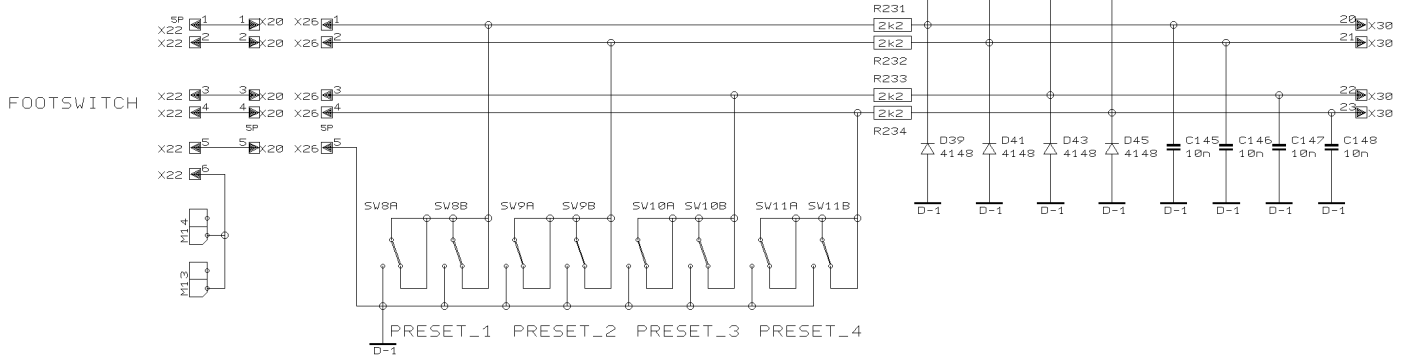
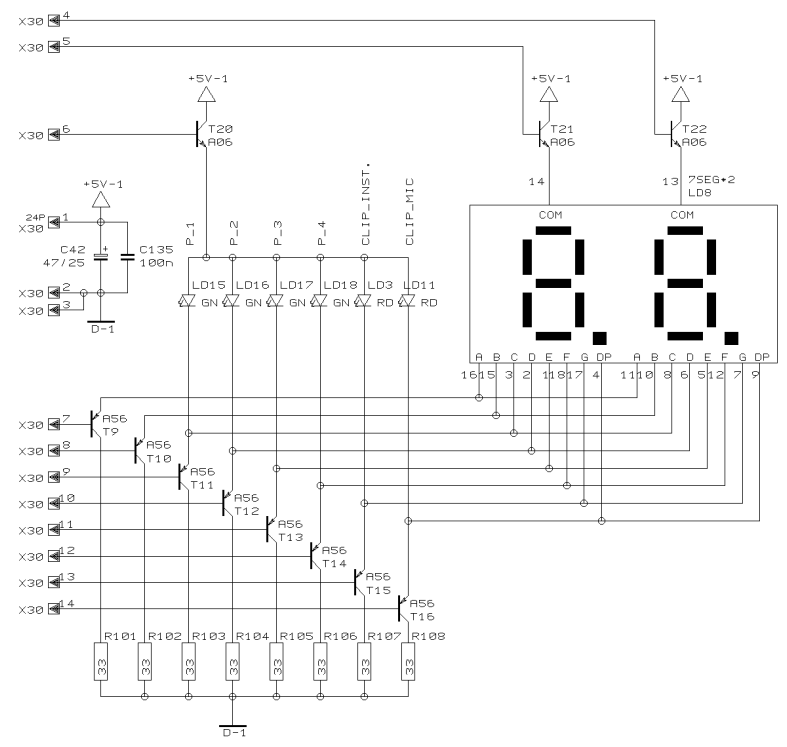
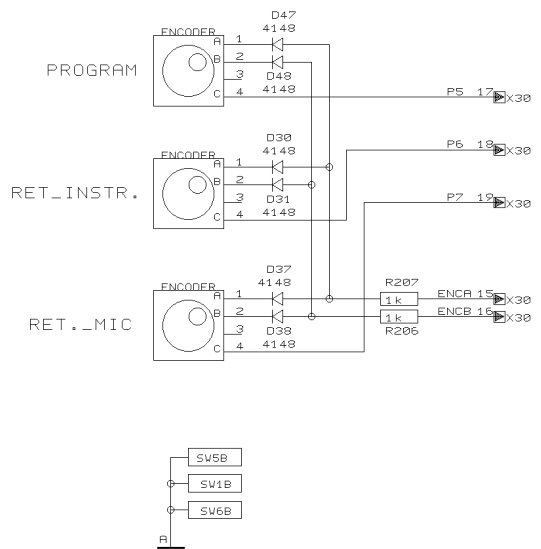
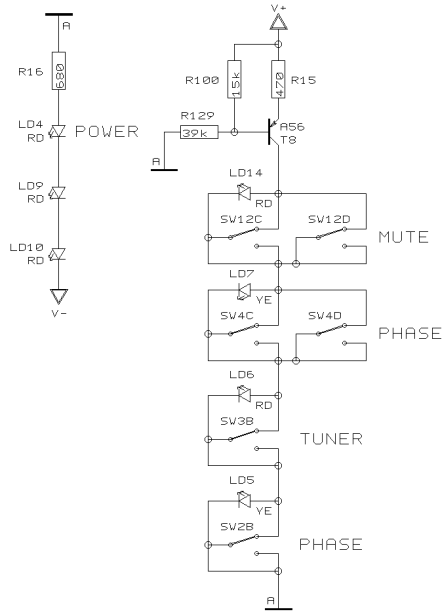
SHEET 2 OF 5 SHEETS TOTAL



REVISIONS		D	
DRAWN	BHK	CHECKED	DATE 19.02. 1 10:27



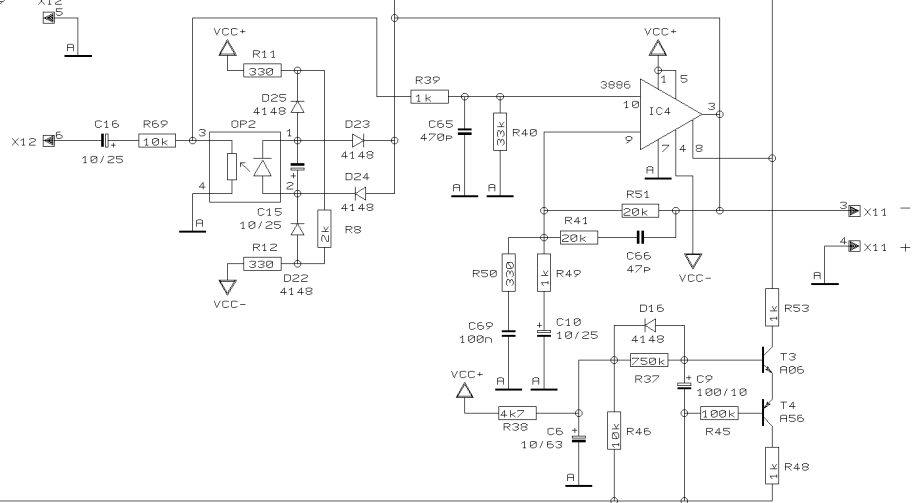
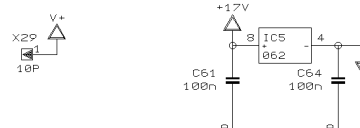
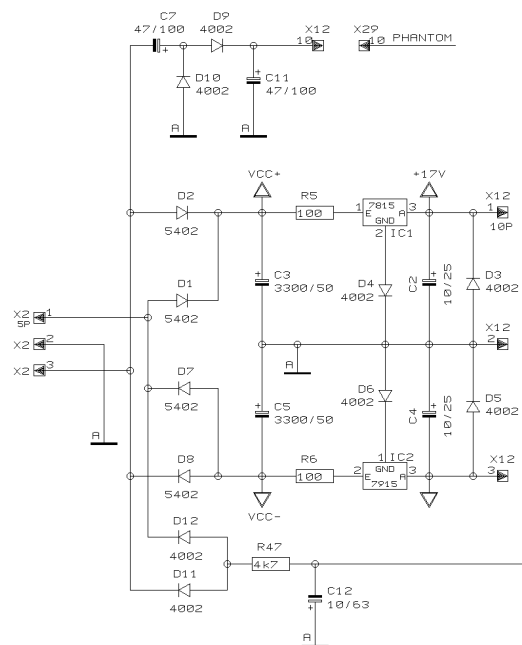
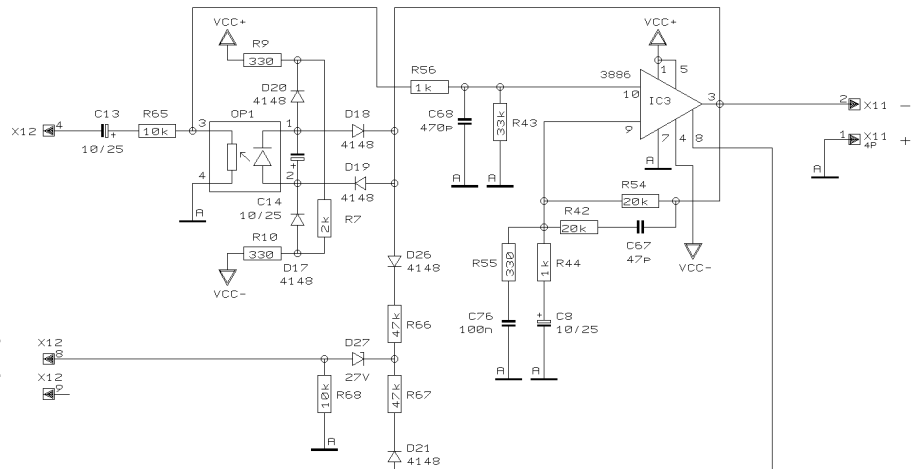
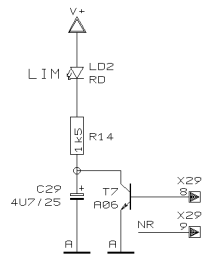
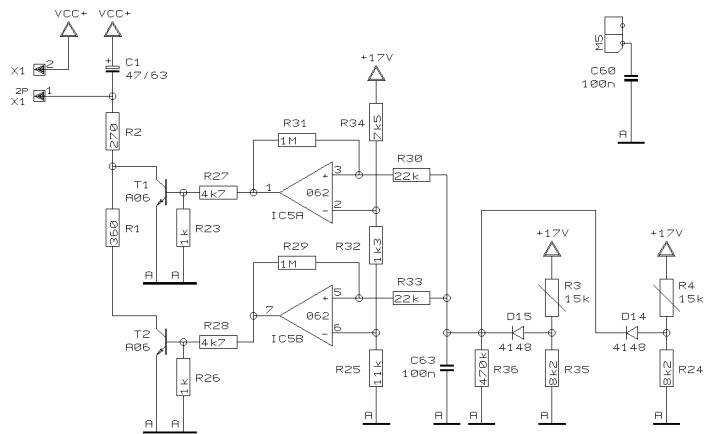
PROJECT
ACX1000
ULTRACOUSTIC
MASTER SECTION
SHEET 3 OF 5 SHEETS TOTAL



REVISIONS		D	
DRAWN	BHK	CHECKED	DATE 19.02. 10:27



PROJECT
ACX1000
ULTRACOUSTIC
DIGITAL INTERFACE
SHEET 4 OF 5 SHEETS TOTAL



REVISIONS

D

DRAWN

BHK

CHECKED

DATE 19.02. 1
10:27



PROJECT
ACX1000
ULTRACOUSTIC
POWER AMPLIFIER & PSU
SHEET 5 OF 5 SHEETS TOTAL