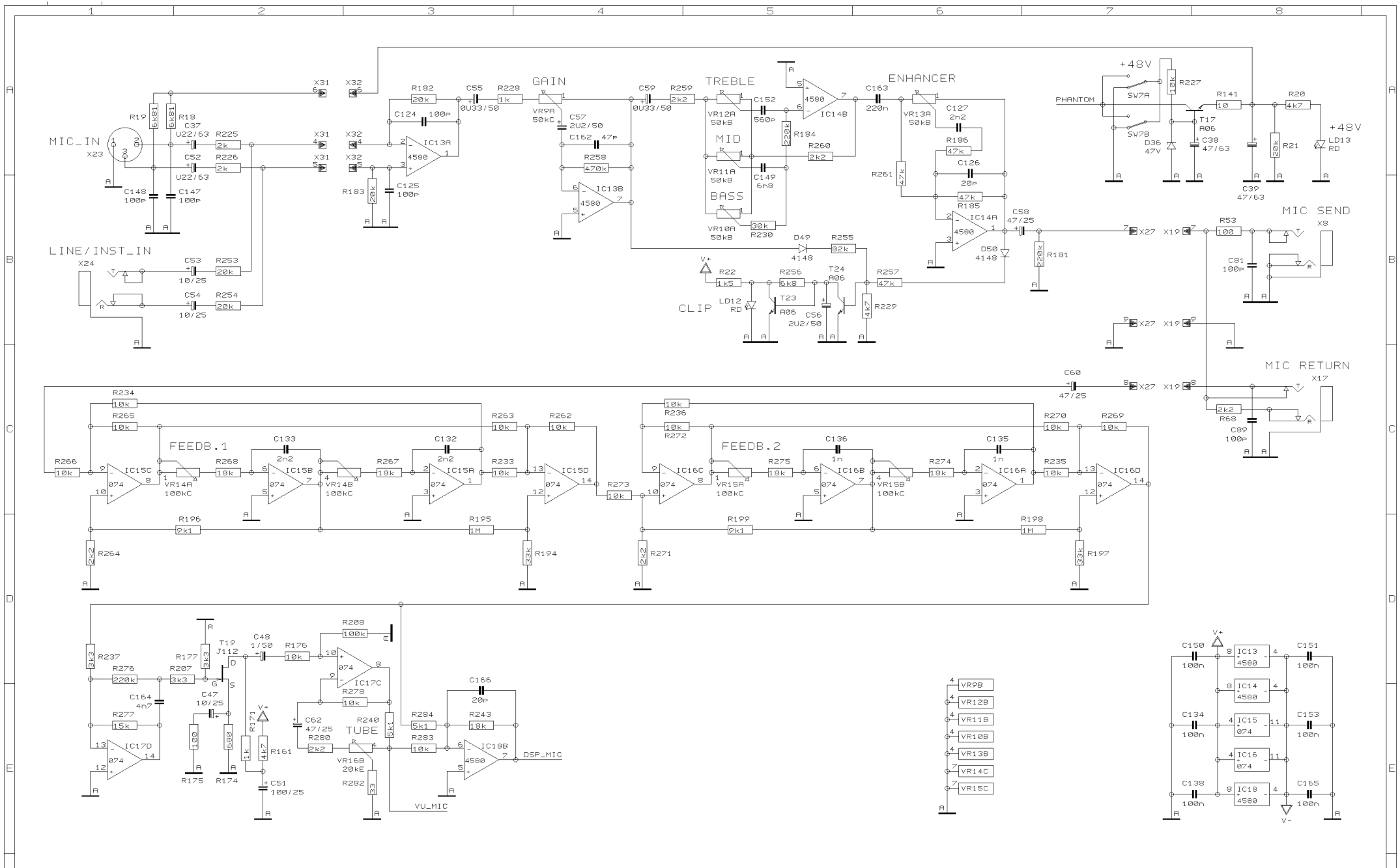


REVISIONS H (19/05/04)

DRAWN BHK CHECKED DATE 08.05.7 16:08



PROJECT ACX1000 ULTRACOUSTIC INSTRUMENT CHANNEL SHEET 1 OF 5 SHEETS TOTAL



REVISIONS H

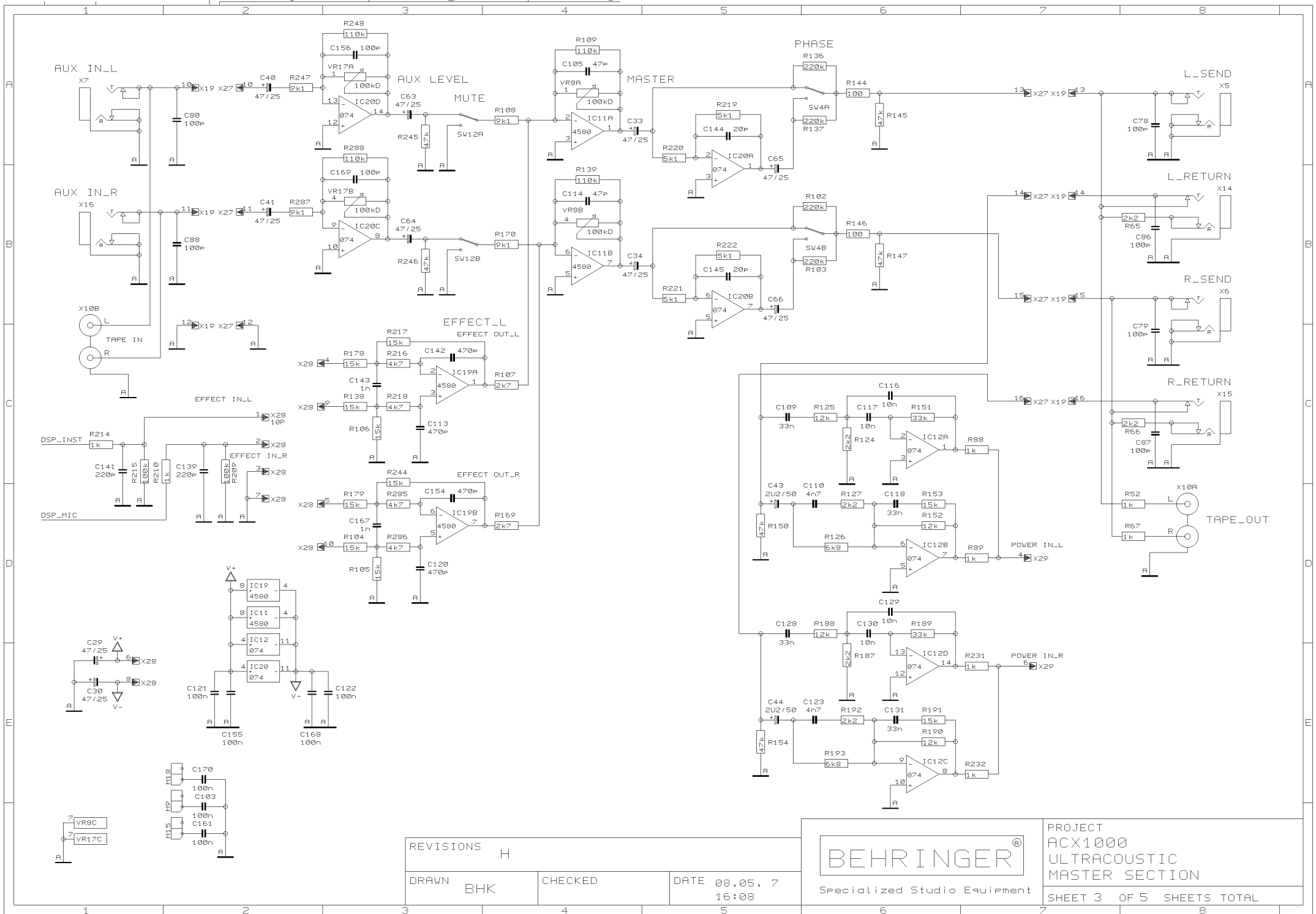
DRAWN BHK

CHECKED

DATE 08.05.7
16:08



PROJECT
ACX1000
ULTRACOUSTIC
MIC CHANNEL
SHEET 2 OF 5 SHEETS TOTAL



REVISIONS H

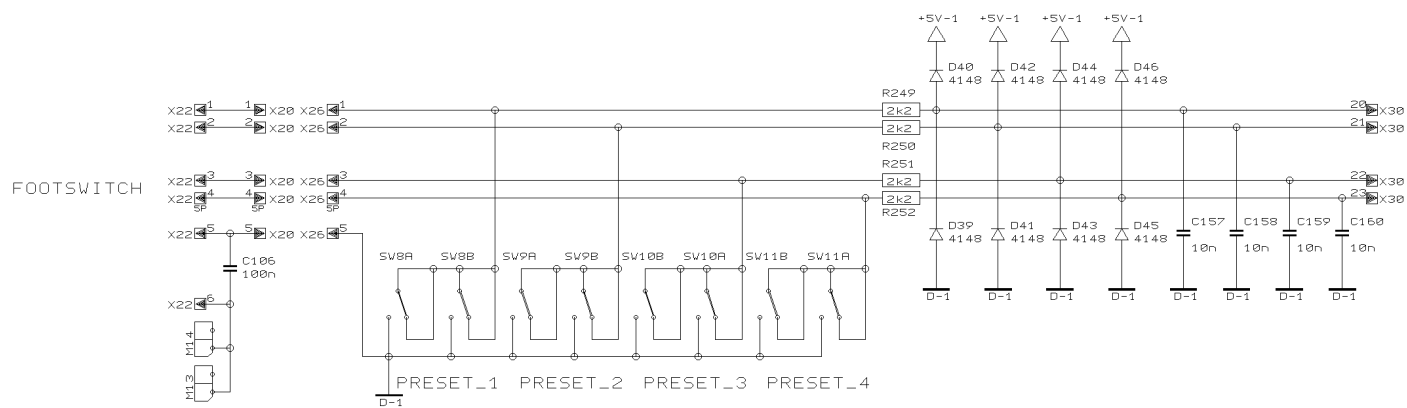
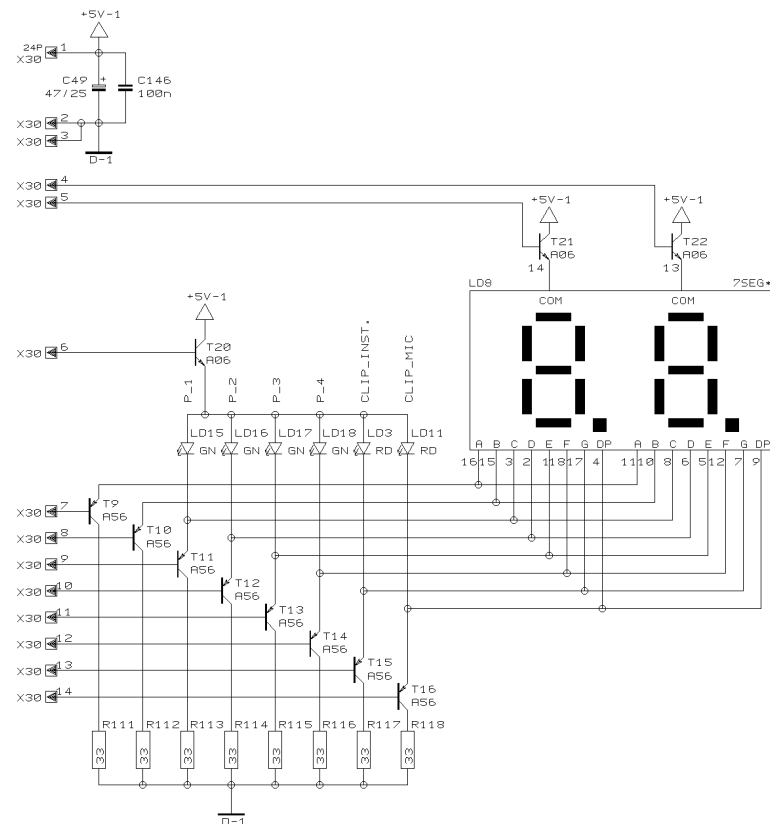
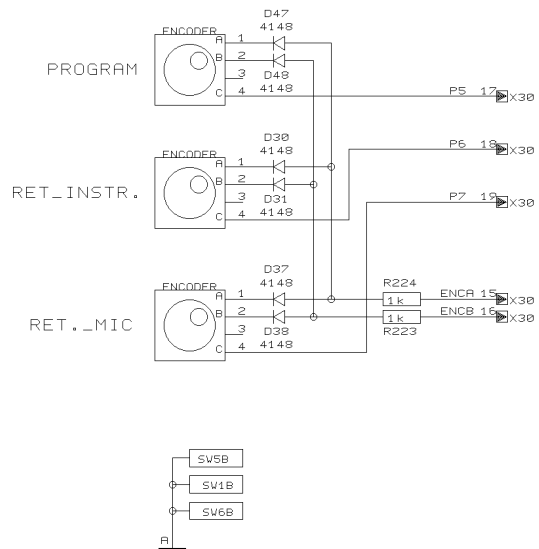
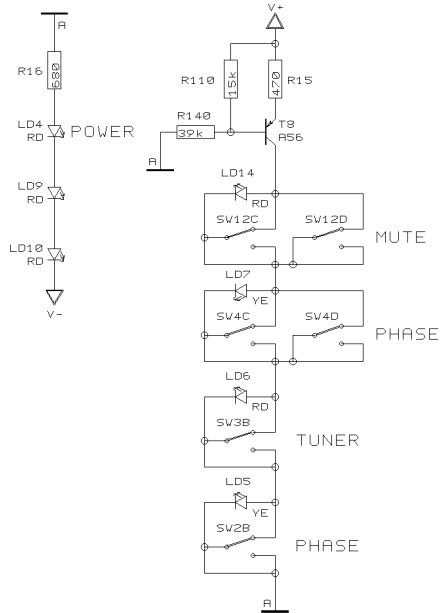
DRAWN BHK

CHECKED

DATE 08.05.7
16:08



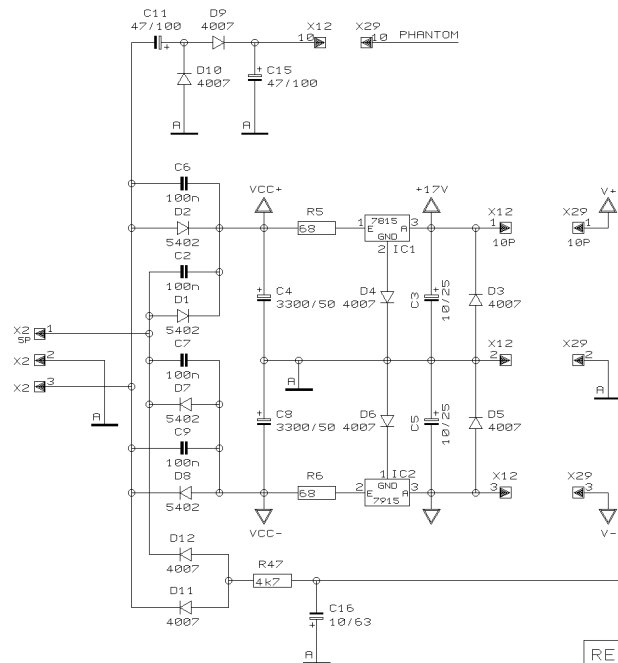
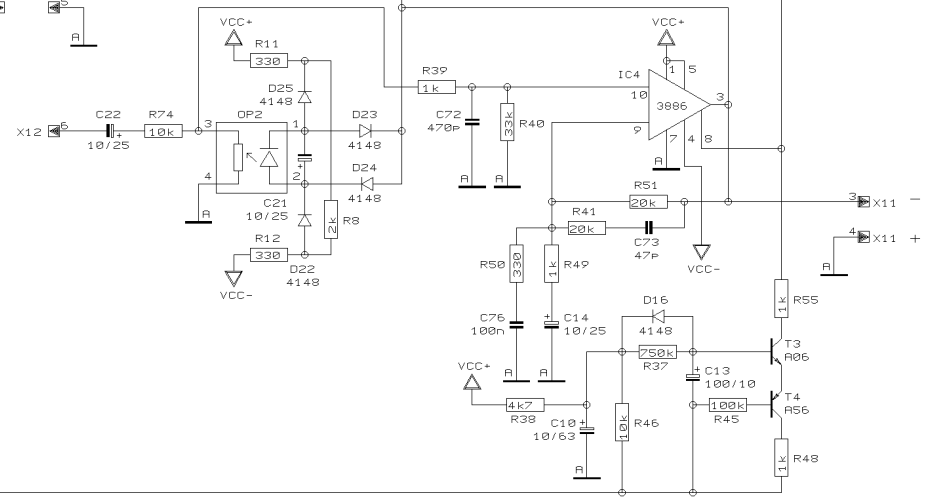
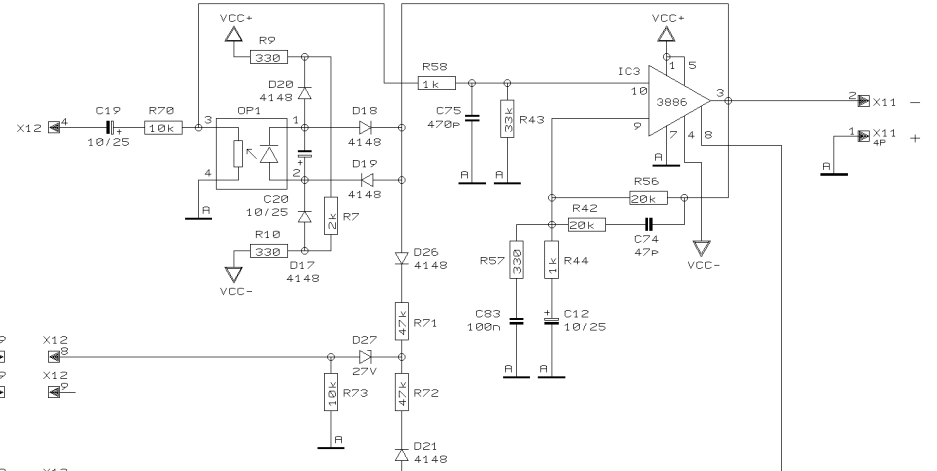
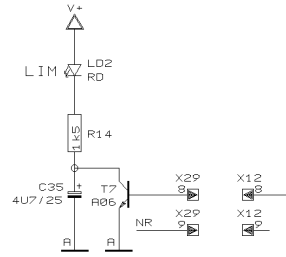
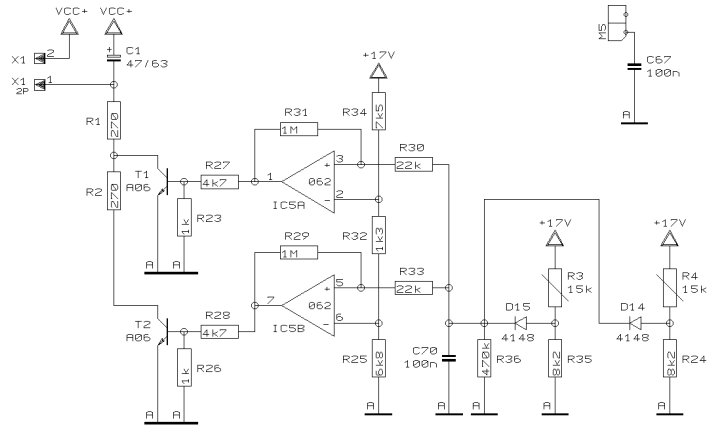
PROJECT
ACX1000
ULTRACOUSTIC
MASTER SECTION
SHEET 3 OF 5 SHEETS TOTAL



REVISIONS		H	
DRAWN	BHK	CHECKED	DATE 08.05.7 16:08

BEHRINGER
 Specialized Studio Equipment

PROJECT
 ACX1000
 ULTRACOUSTIC
 DIGITAL INTERFACE
 SHEET 4 OF 5 SHEETS TOTAL



REVISIONS	H	
DRAWN	BHK	CHECKED
DATE	08.05.7	16:08



PROJECT
ACX1000
ULTRACOUSTIC
POWER AMPLIFIER & PSU
SHEET 5 OF 5 SHEETS TOTAL