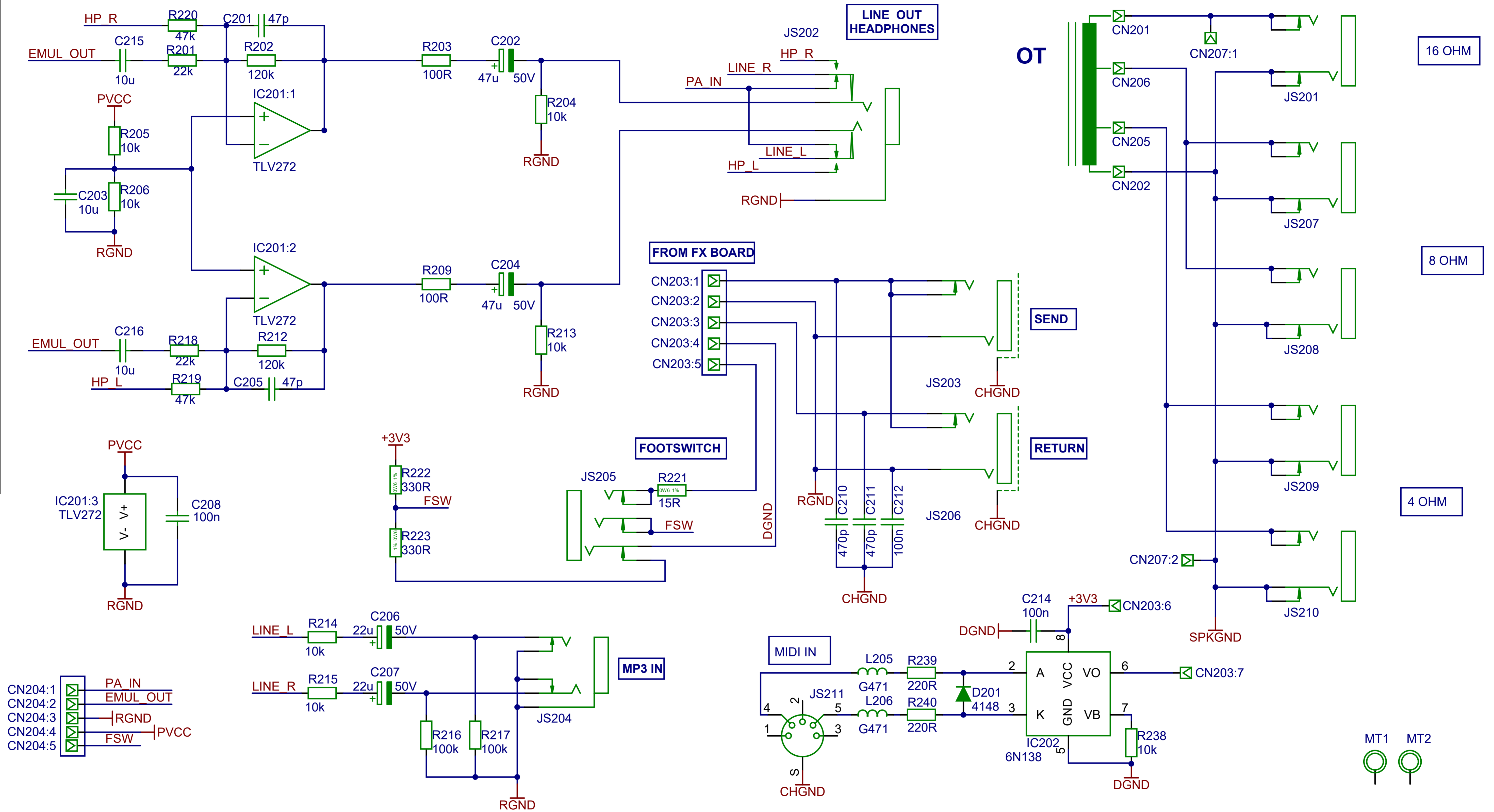


DWG. No. DSL100M2-61-02



- CN204:1 PA IN
- CN204:2 EMUL OUT
- CN204:3 RGND
- CN204:4 FSW
- CN204:5 PVCC

		MATERIAL		DIMENSIONS IN mm	
		MATERIAL THICKNESS		TOLERANCE (UNLESS OTHERWISE STATED)	
				HOLE DIA = +/-	
				DIMENSIONAL = +/-	
4	Sch/PCB Update ACS	13-09-16	DRAWN A.C.S.	DATE 02.09.2016	
3	Sch/PCB Update P.G.S	18-07-16	CHECKED PGS	DATE 18-07-16	
ISS	ECO NUMBER	DATE	APPROVED	DATE	

MODEL  
**DSL 40/100 MK2**



© MARSHALL AMPLIFICATION PLC  
DENBIGH ROAD, BLETCHLEY, MILTON KEYNES, MK1 1DQ.  
TEL (01908) 375411 FAX (01908) 376118

TITLE  
**DSL 40/100 MK2 Rear PCB**

DWG. No. **DSL100M2-61-02**

ISS	Sheet
<b>4</b>	<b>1 of 1</b>

File: DSL100M2-61-02-V4.SchDoc

Date: 15/11/2016

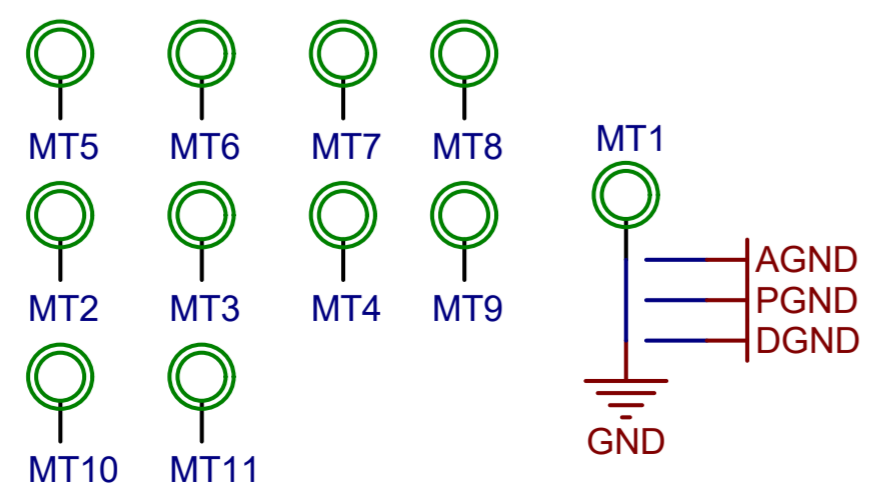
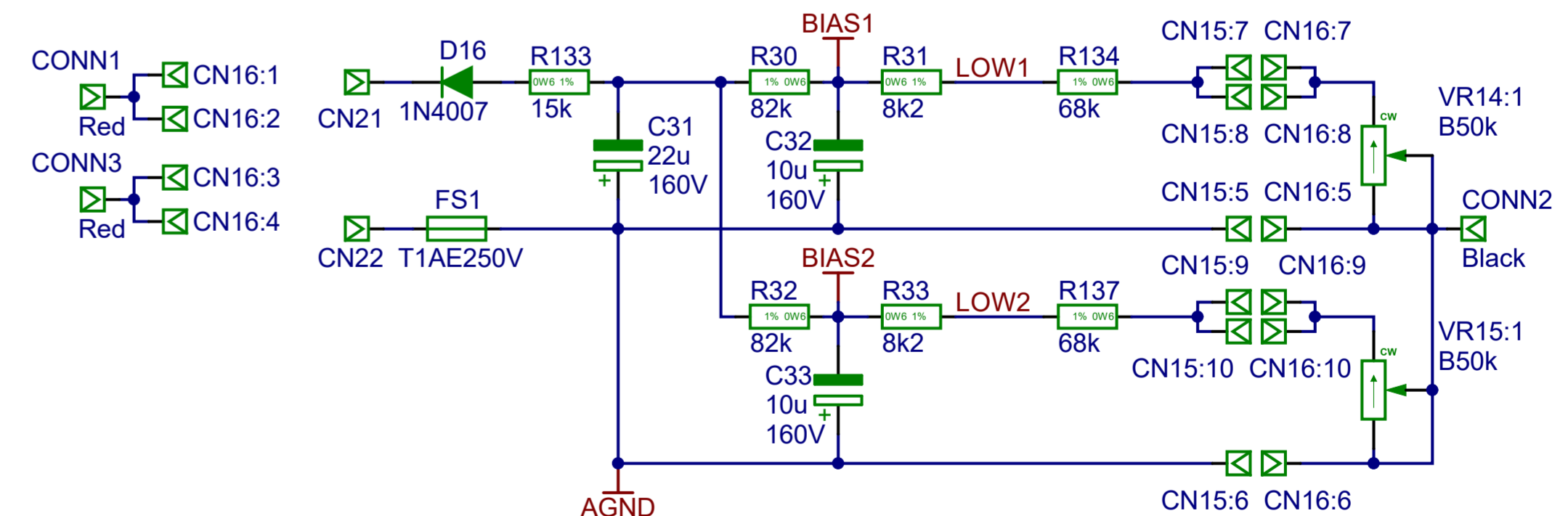
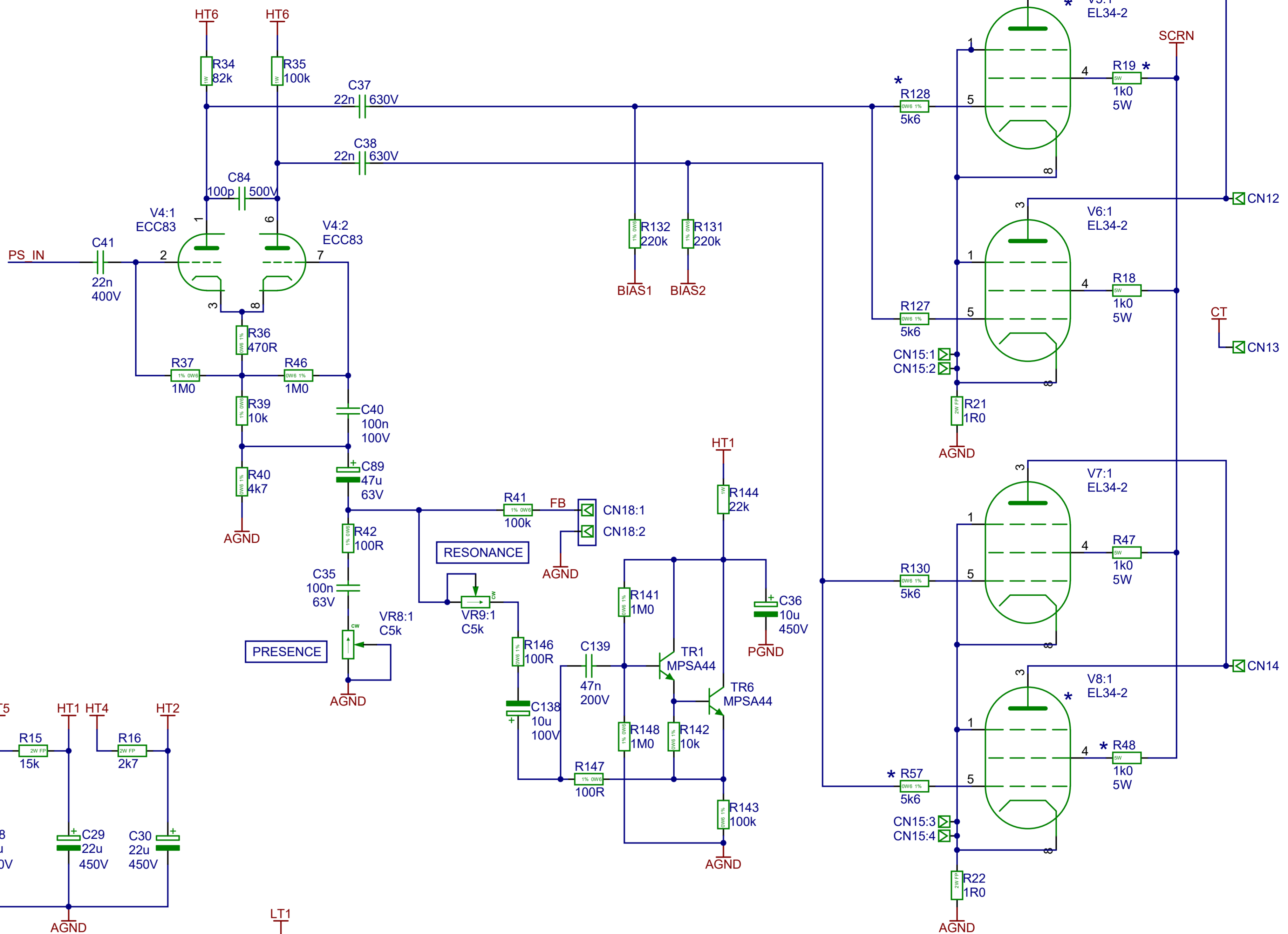
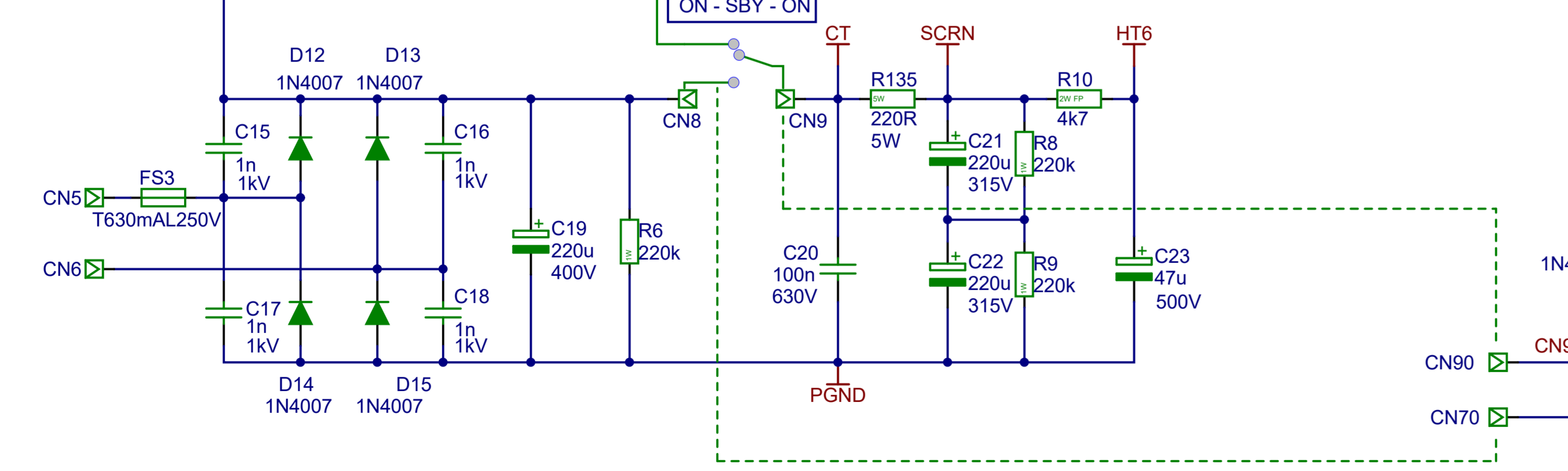
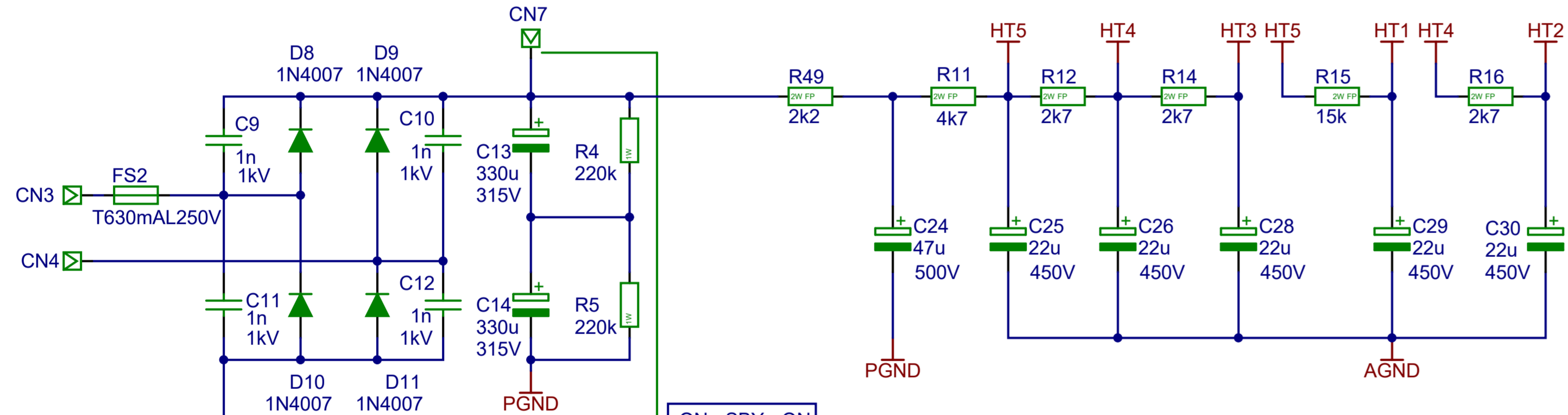
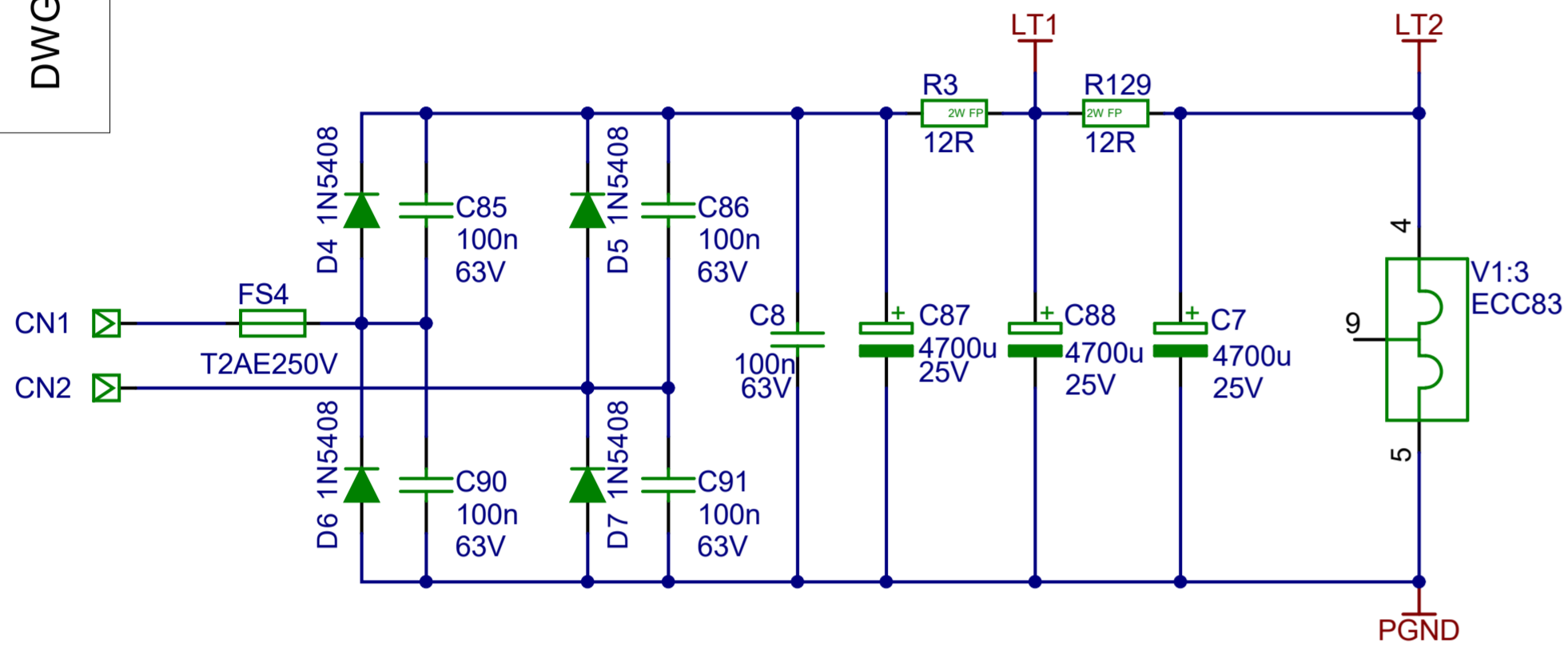
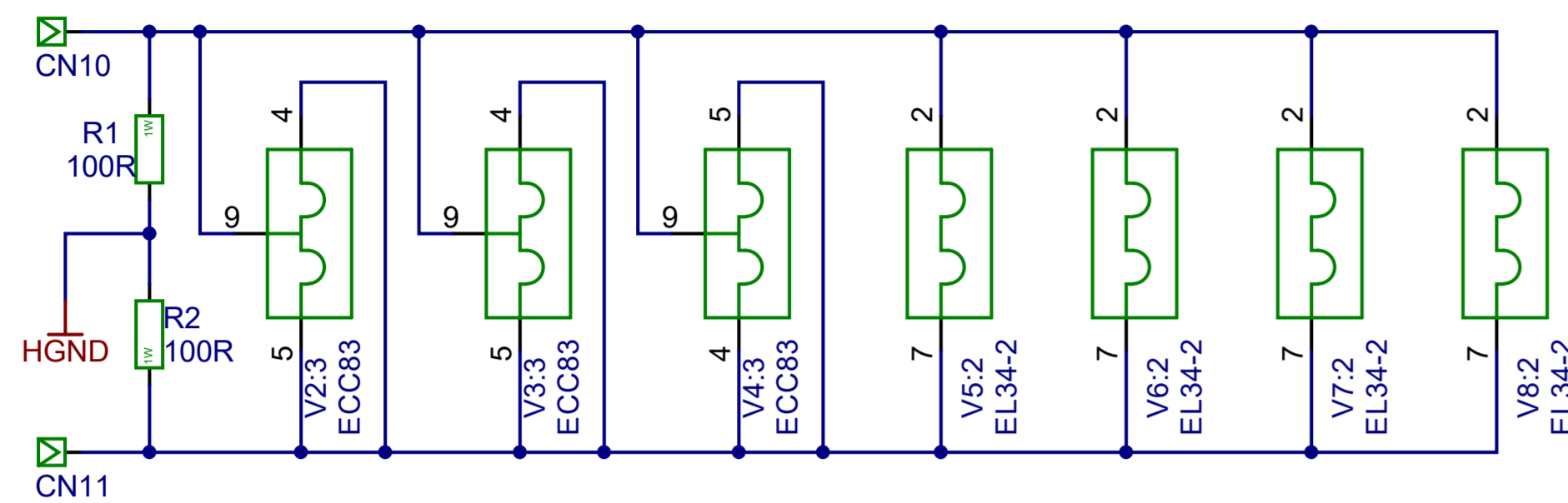
DSL100M2-60-02

DWG. No.

B

C

D



MATERIAL	
MATERIAL THICKNESS	
DRAWN AC / PS	DATE 16.03.2016
CHECKED	DATE
APPROVED ?	DATE ?

DIMENSIONS IN mm	
TOLERANCE (UNLESS OTHERWISE STATED)	
HOLE DIA = +/-	
DIMENSIONAL = +/-	
MODEL	
<b>DSL40/100 MK2</b>	

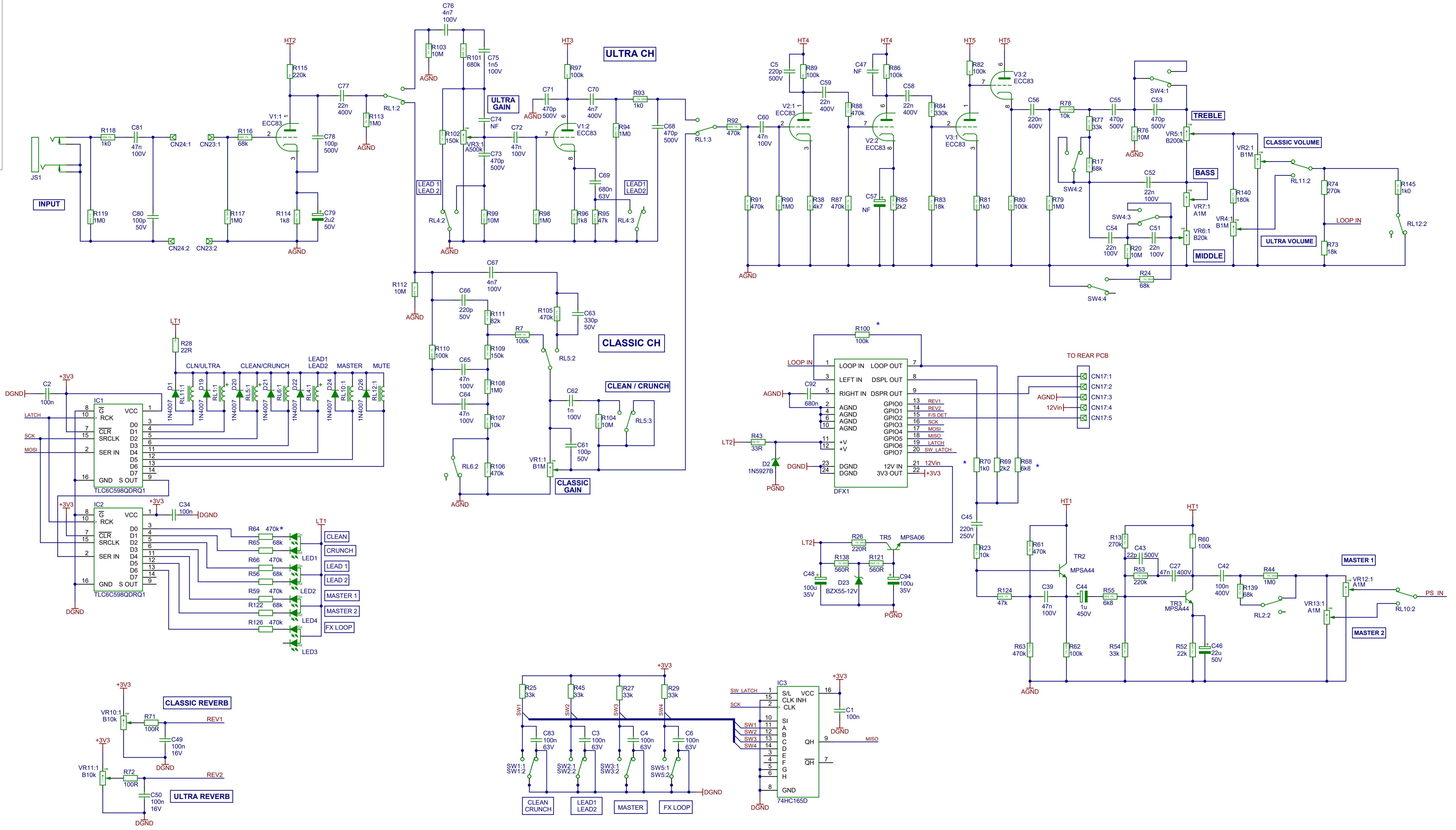
Cannot open file C:\altium files\Templates\logo.JPG

© MARSHALL AMPLIFICATION PLC  
DENBIGH ROAD, BLETCHLEY, MILTON KEYNES, MK1 1DQ.  
TEL (01908) 375411 FAX (01908) 376118

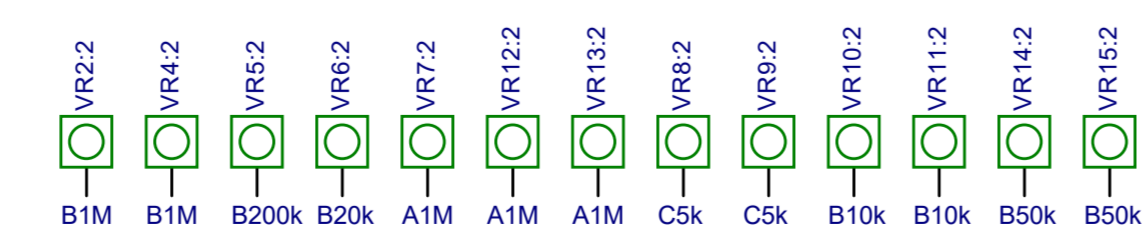
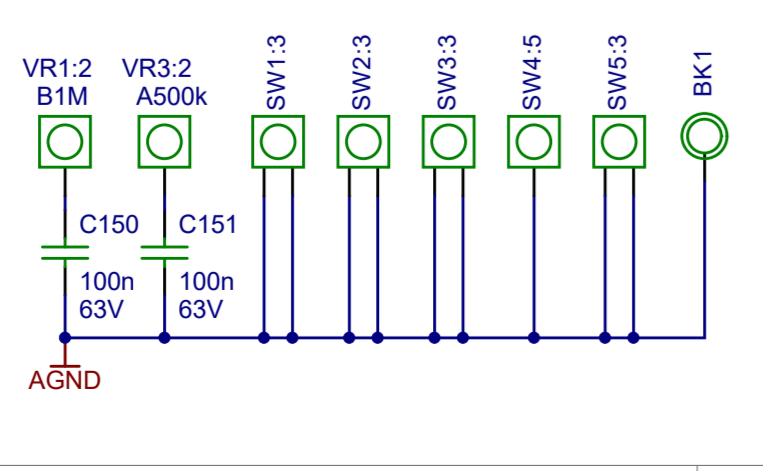
File: DSL100M2-60-02-V5 Page2.SchDoc

TITLE		
<b>DSL40/100 MK2 Main PCB</b>		
DWG. No.	ISS	Sheet
<b>DSL100M2-60-02</b>	<b>5</b>	<b>2 of 2</b>
Date: 29/11/2016		

\* = NOT FITTED ON 40W



5	RL12 Moved	24-11-16
4	Sch/PCB Update ACS	13-09-16
3	Sch/PCB Update PGS	07-07-16
ISS	ECO NUMBER	DATE



MATERIAL	DIMENSIONS IN mm
MATERIAL THICKNESS	TOLERANCE (UNLESS OTHERWISE STATED)
DRAWN PGS/AC	DATE 20-11-2015
CHECKED	DATE
APPROVED ?	DATE ?

MODEL	DSL40/100 MK2
-------	---------------



TITLE	DSL40/100 MK2 Main PCB	
DWG. No.	DSL100M2-60-02	ISS 5
Sheet	1 of 2	DATE: 29/11/2016