

6

ISS	ECO NUMBER	DATE
2	1167	24-04-96
1		02-04-96

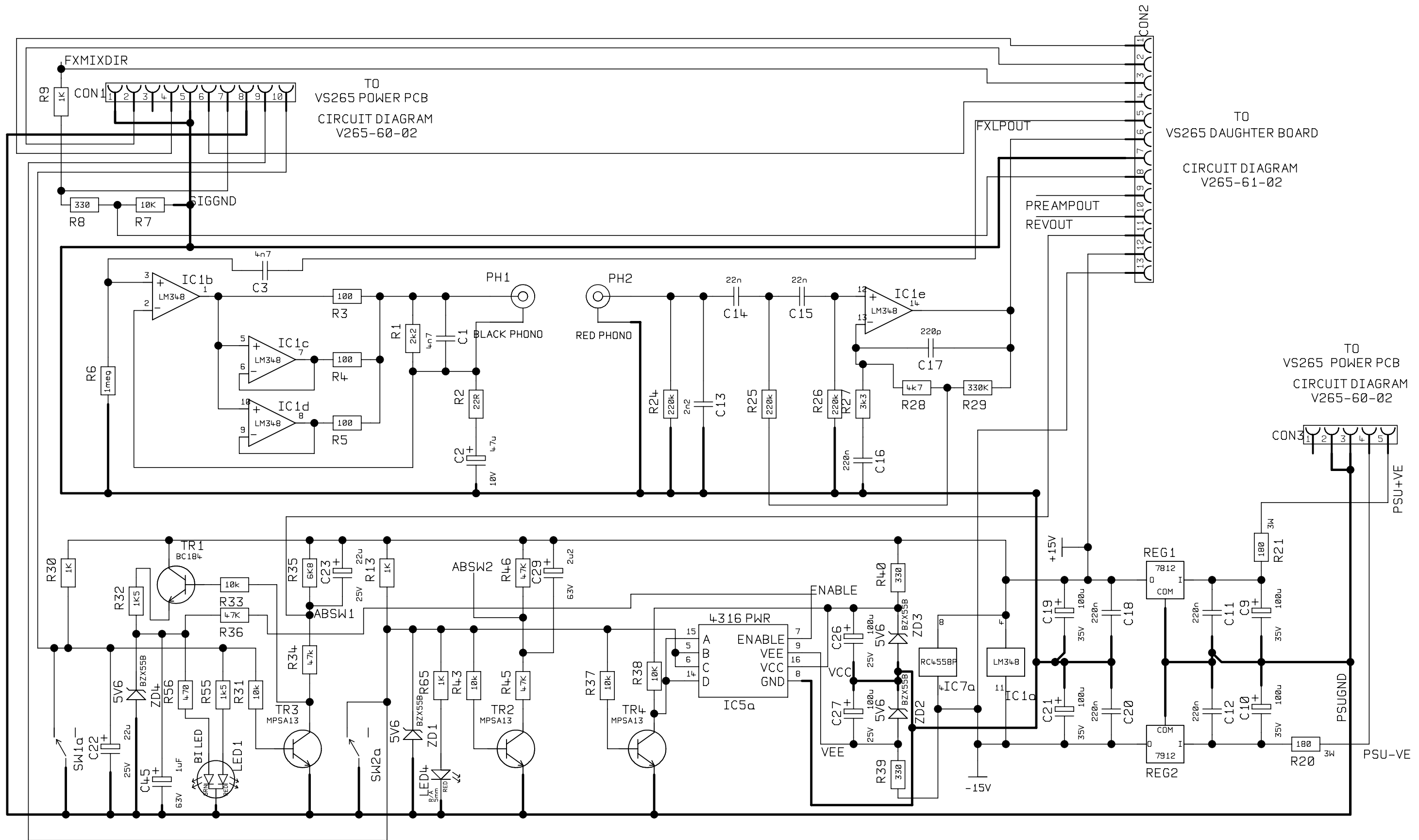
ALL OTHER HOLES =		X = (THROUGH PLATED)	
A	E	J	N
B	F	K	P
C	G	L	Q
D	H	M	R

MATERIAL		DIMENSIONS IN	
MATERIAL THICKNESS		TOLERANCE (UNLESS OTHERWISE STATED)	
DRAWN SG	DATE 17_11_95		
CHECKED	DATE	MODEL VS265	
APPROVED	DATE		



TITLE PRE-AMP PCB CIRCUIT DIAGRAM	
DWG.No V265-62-02	SHEET 1 OF 2 ISS 2

A B C D E F G H



TO
VS265 POWER PCB
CIRCUIT DIAGRAM
V265-60-02

TO
VS265 DAUGHTER BOARD
CIRCUIT DIAGRAM
V265-61-02

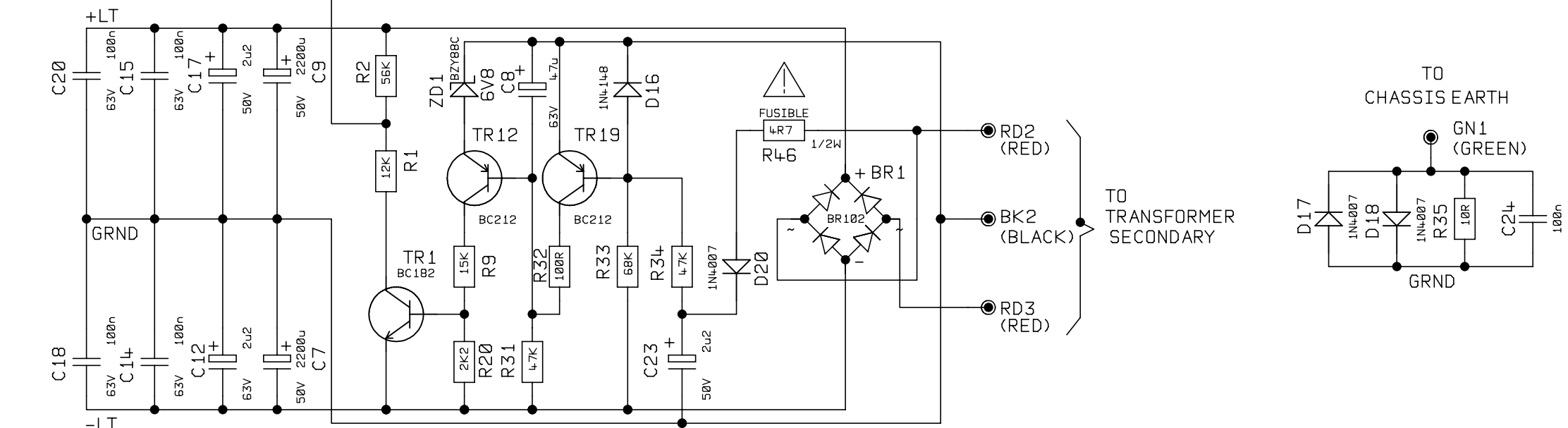
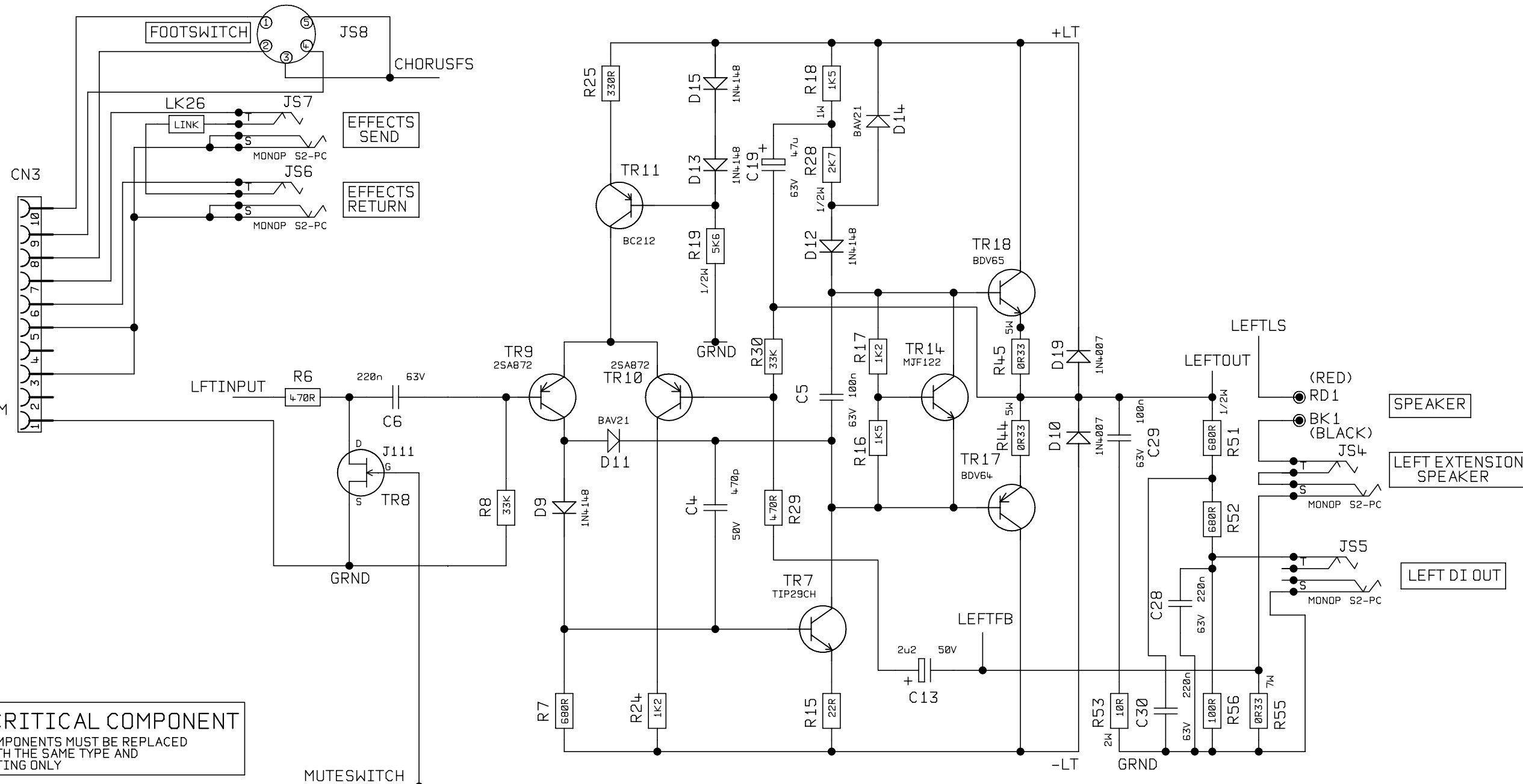
TO
VS265 POWER PCB
CIRCUIT DIAGRAM
V265-60-02

2		1167		24-04-96		A		E		J		N		MATERIAL		DIMENSIONS IN		 © MARSHALL AMPLIFICATION PLC DENBIGH ROAD, BLETCHLEY, MILTON KEYNES, MK1 1DQ. TEL (01908) 375411 FAX (01908) 376118		TITLE PRE-AMP PCB CIRCUIT DIAGRAM			
1		02-04-96		C		G		Q		L		P		DRAWN SG		DATE 17 11 95				TOLERANCE (UNLESS OTHERWISE STATED)		DWG.No. SHEET 2 OF 2 ISS	
ISS		ECO NUMBER		DATE		D		H		M		R		CHECKED		DATE				MODEL VS265		V265-62-02 2	
														APPROVED		DATE							

TO
 VS265 PRE-AMP
 CIRCUIT DIAGRAM
 V265-62-02

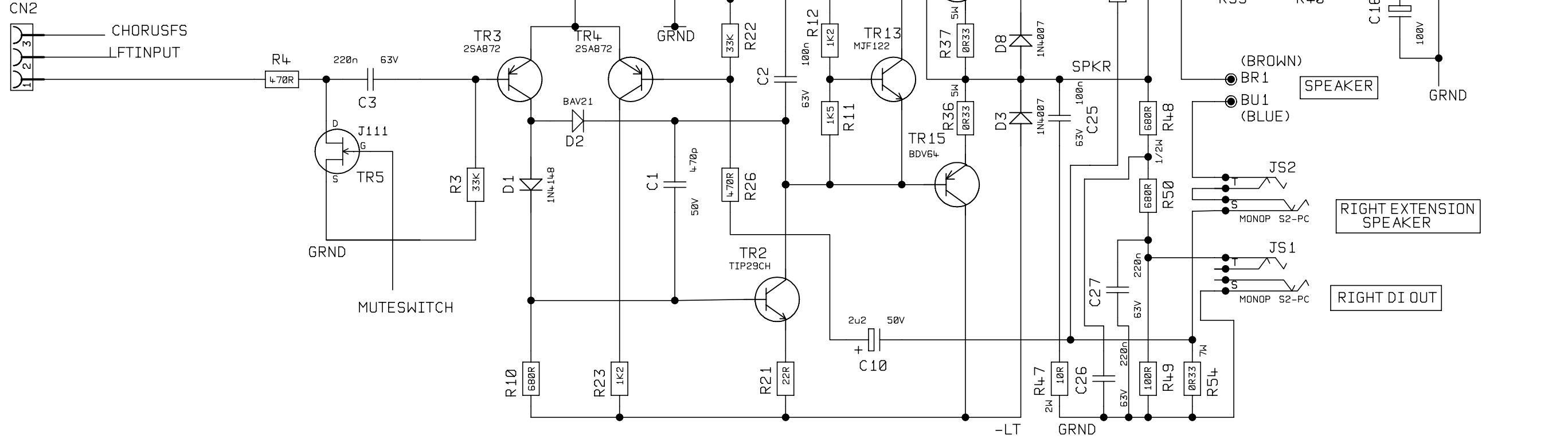
TO
 VS265 PRE-AMP
 CIRCUIT DIAGRAM
 V265-62-02

SAFETY CRITICAL COMPONENT
 COMPONENTS MUST BE REPLACED
 WITH THE SAME TYPE AND
 RATING ONLY



		ALL OTHER HOLES =		X = (THROUGH PLATED)		MATERIAL		DIMENSIONS IN		<p>JIM MARSHALL (PRODUCTS) LTD. DENBIGH ROAD, BLETCHLEY, MILTON KEYNES, MK1 1DQ. TEL (0908)375411 FAX (0908)376118</p>	TITLE	POWER PCB CIRCUIT DIAGRAM
2	1217	23/7/96	A	E	J	N	MATERIAL THICKNESS	TOLERANCE (UNLESS OTHERWISE STATED)	MODEL		DWG.No	V265-60-02
1		02-04-96	B	F	K	P	DRAWN SG	DATE 03.11.95	VS265		SHEET 1 OF 2	ISS
ISS	ECO NUMBER	DATE	C	G	L	Q	CHECKED	DATE				2

TO
VS265 DAUGHTER
BOARD
CIRCUIT DIAGRAM
V265-61-02

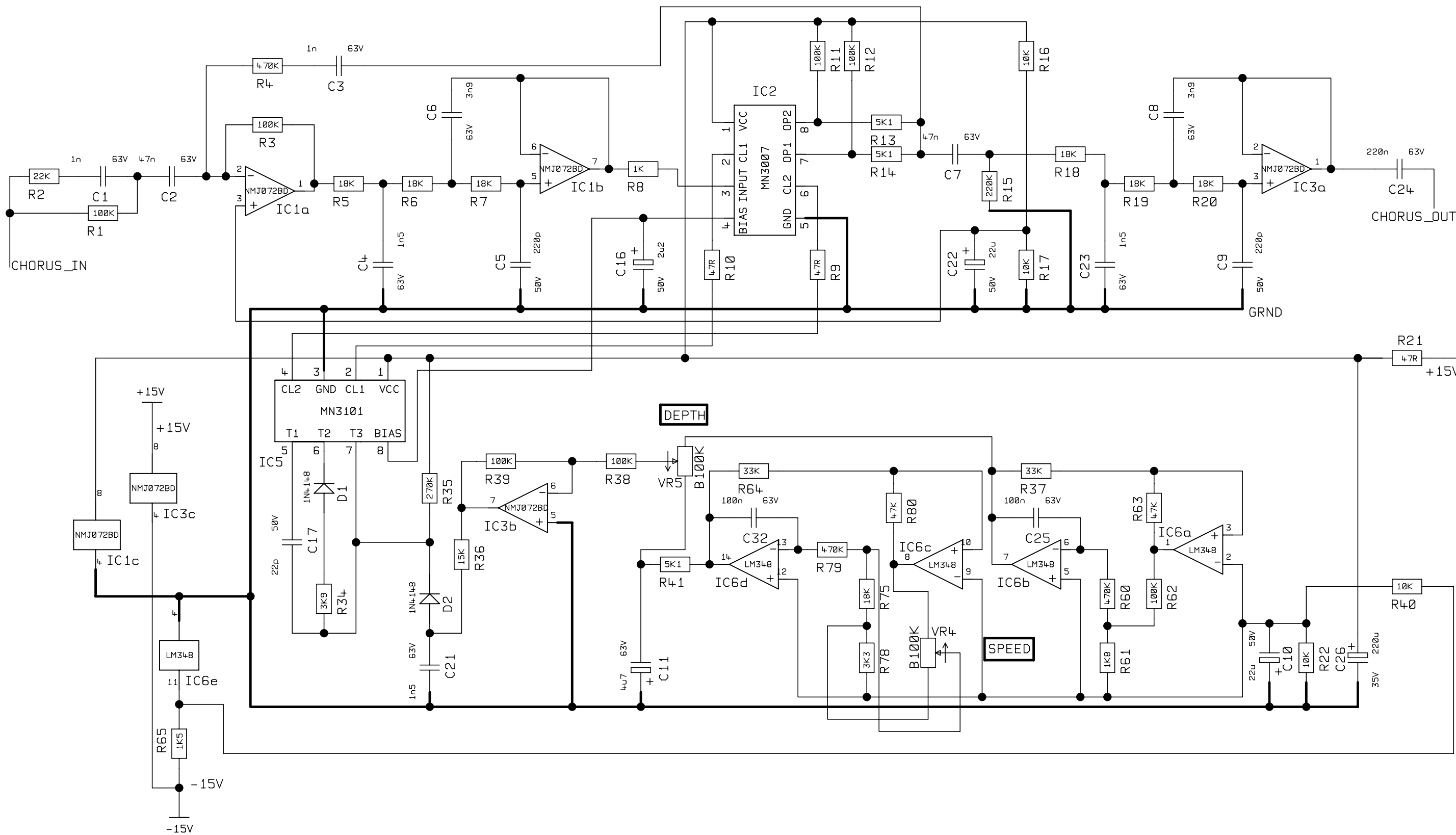


		ALL OTHER HOLES =				X = (THROUGH PLATED)			
2	1217	A	E	J	N	B	F	K	P
1		C	G	L	Q	D	H	M	R
ISS	ECO NUMBER	DATE							

MATERIAL		DIMENSIONS IN	
MATERIAL THICKNESS		TOLERANCE (UNLESS OTHERWISE STATED)	
DRAWN SG	DATE 03.11.95		
CHECKED	DATE	MODEL	VS265
APPROVED	DATE		



TITLE		POWER PCB CIRCUIT DIAGRAM	
DWG.No	V265-60-02	SHEET 2 OF 2	ISS
			2



2	1167	24-04-96	A	E	J	N
1		02-04-96	B	F	K	P
ISS	ECO NUMBER	DATE	C	G	L	Q
			D	H	M	R

MATERIAL THICKNESS		DATE	
DRAWN SG		22_1_96	
CHECKED		DATE	
APPROVED		DATE	

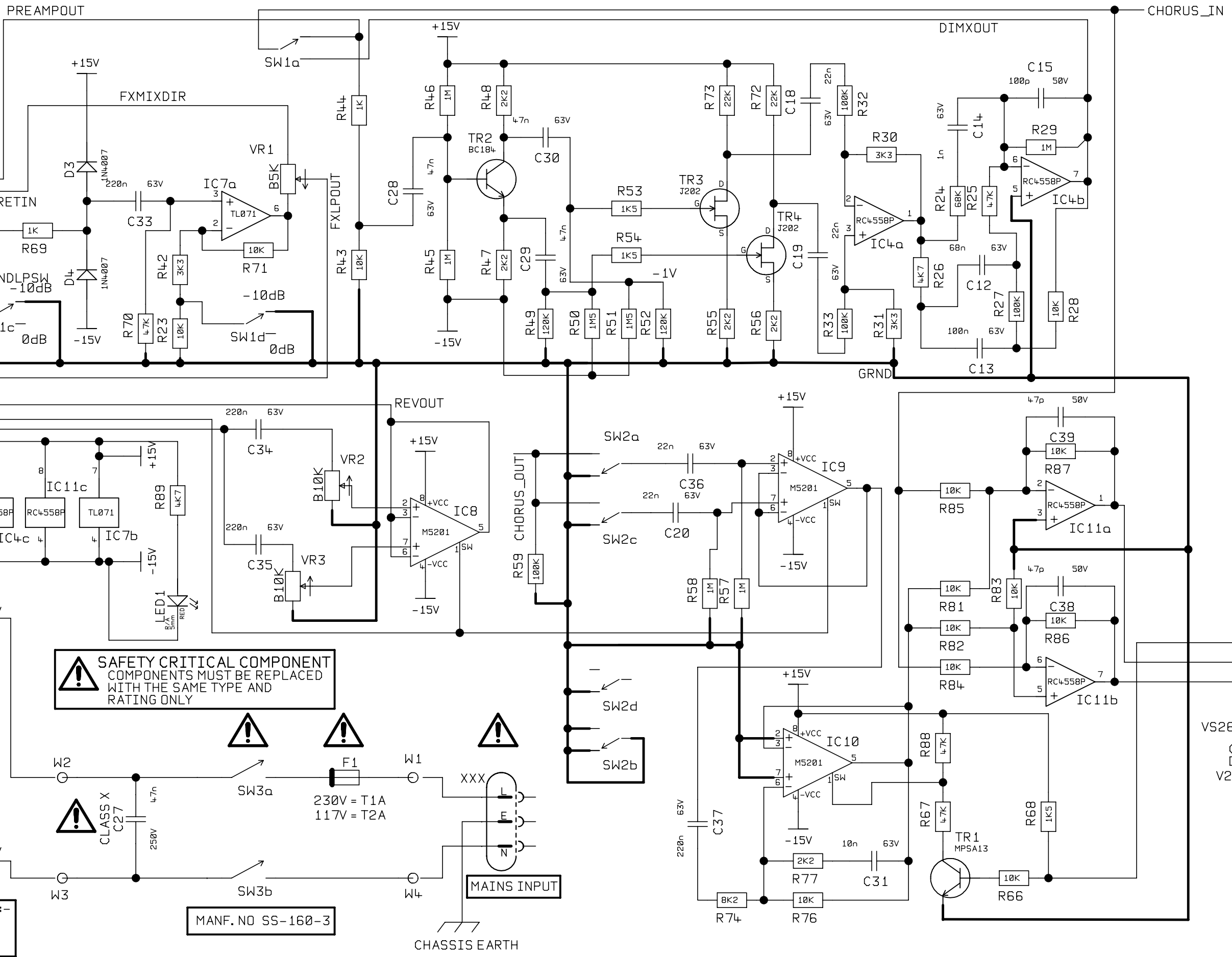
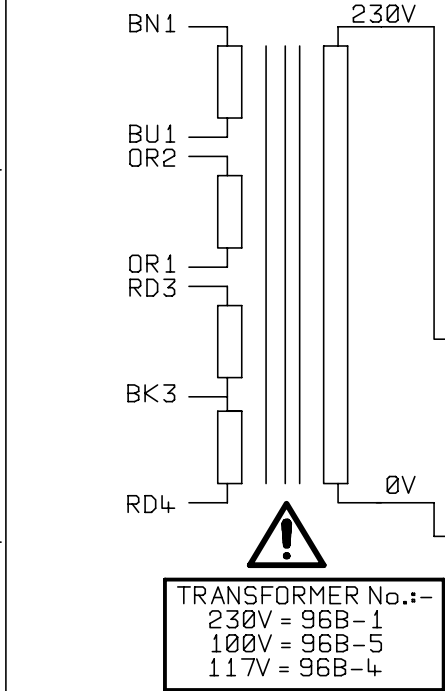
DIMENSIONS IN		TOLERANCE (UNLESS OTHERWISE STATED)	
MATERIAL		MODEL	
VS265			



TITLE		DAUGHTER BOARD CIRCUIT DIAGRAM	
DWG.No	V265-61-02	SHEET 1 OF 2	ISS
			2

NOTE:-
 CN1 PINS 1 & 2 ARE NOT USED.

TO
 VS265
 PRE-AMP
 PCB
 CIRCUIT DIAGRAM
 V265-62-02



TO
 VS265 POWER PCB
 CIRCUIT DIAGRAM
 V265-60-02

2		1167		24-04-96		A		E		J		N		MATERIAL		DIMENSIONS IN		 MARSHALL AMPLIFICATION PLC DENBIGH ROAD, BLETCHLEY, MILTON KEYNES, MK1 1DQ. TEL (01908) 375411 FAX (01908) 376118		TITLE		DAUGHTER BOARD	
1		02-04-96		C		G		L		Q		R		DRAWN		TOLERANCE (UNLESS OTHERWISE STATED)				DWG.No		SHEET 2 OF 2	
ISS		ECO NUMBER		DATE		D		H		M		R		CHECKED		MODEL				V265-61-02		ISS	
														DATE		VS265				2			