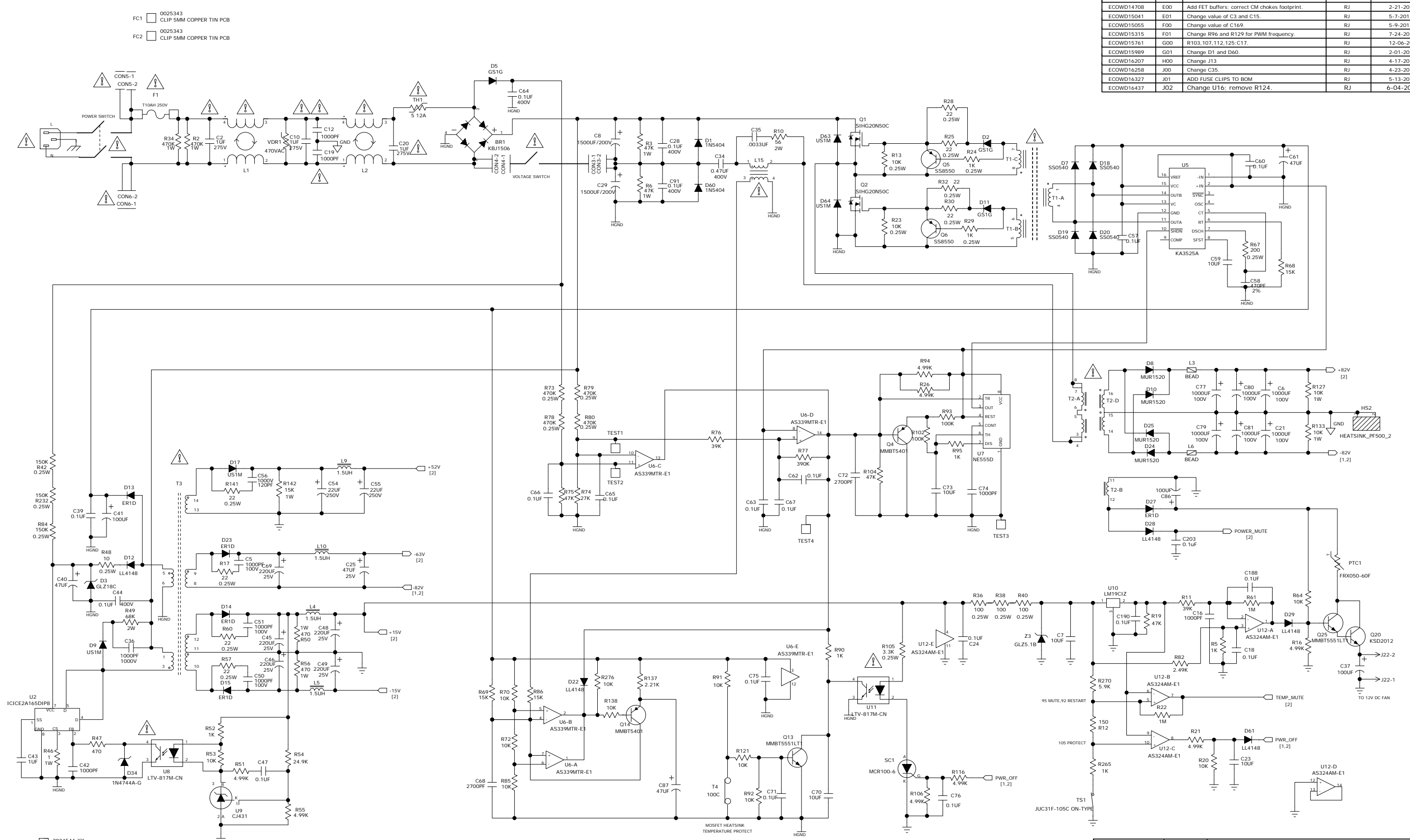
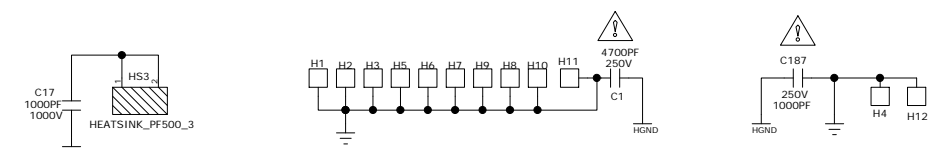


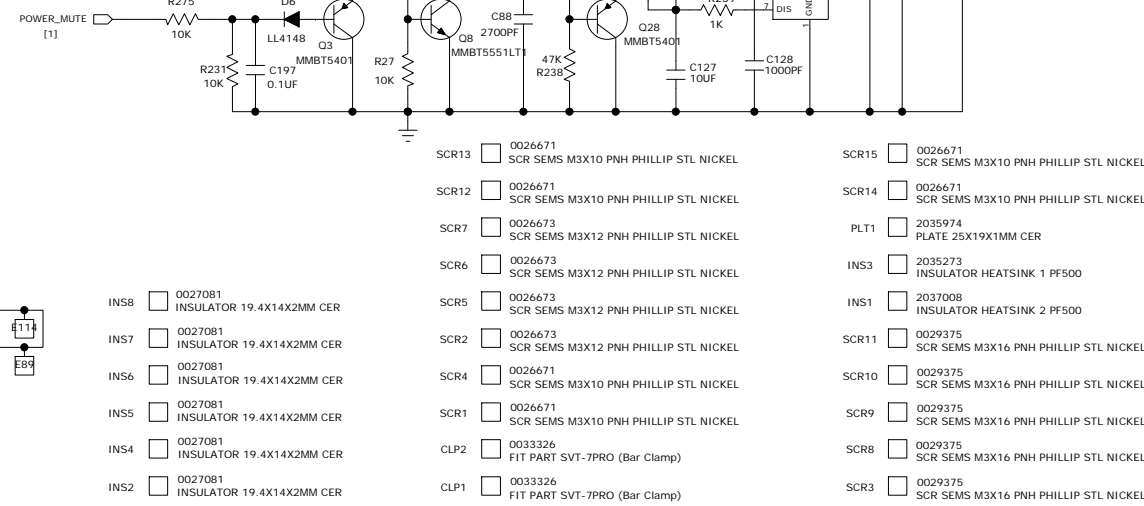
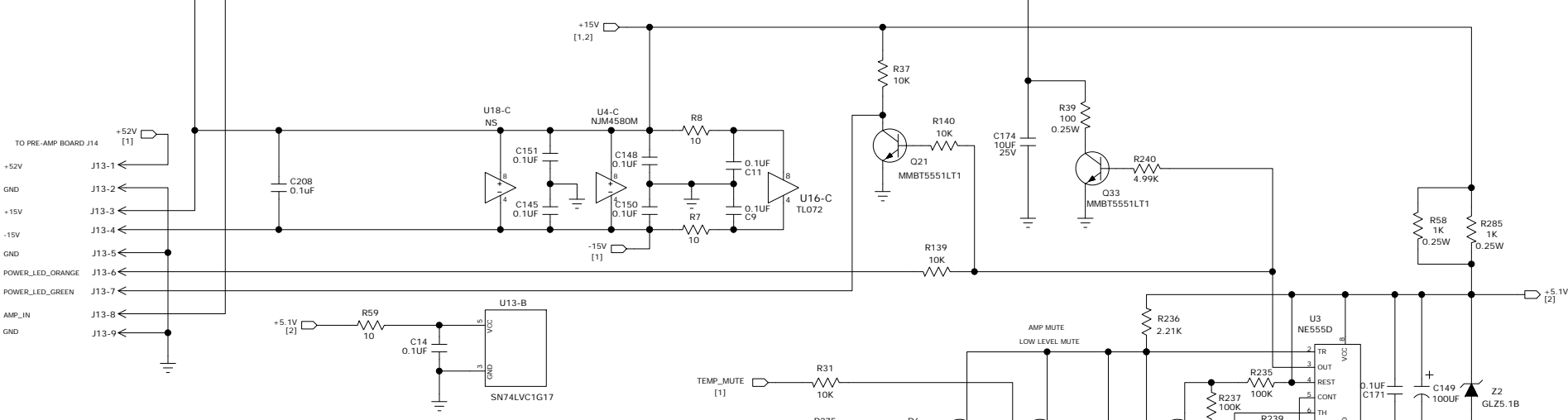
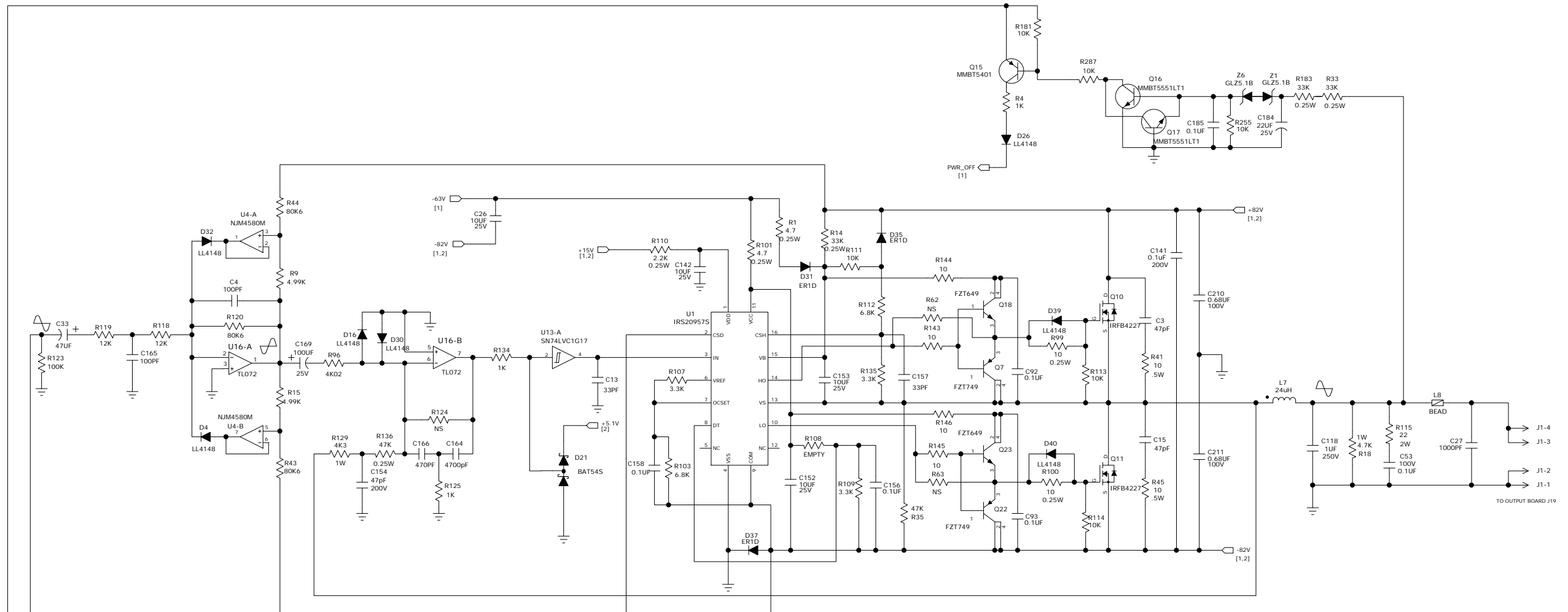
ECO/DSR	REV.	DESCRIPTION	REV. BY:	DATE
ECOWD12993	B00	Correct silkscreen: safety caps. add shrink	RJ	7-19-2010
ECOWD13132	B01	R96 WAS 4.32K. R129 WAS 10K	RJ	9-1-2010
ECOWD13206	C00	ADD D34	RJ	9-30-2010
ECOWD13580	C01	Change drawing of power switch to DPST.	RJ	1-13-2011
ECOWD13508	C02	Change Insulator	th	3-7-2011
ECOWD13994	C03	Q20 WAS 25C4793	th	6-20-11
ECOWD14299	D00	Add snubbers to Q10 and Q11	RJ	10-25-2011
ECOWD14708	E00	Add FET buffers; correct CM chokes footprint.	RJ	2-21-2012
ECOWD15041	E01	Change value of C3 and C15.	RJ	5-7-2012
ECOWD15055	F00	Change value of C169.	RJ	5-9-2012
ECOWD15315	F01	Change R96 and R129 for PWM frequency.	RJ	7-24-2012
ECOWD15761	G00	R103, 107, 112, 125, C17.	RJ	12-06-2012
ECOWD15989	G01	Change D1 and D60.	RJ	2-01-2013
ECOWD16207	H00	Change J13	RJ	4-17-2013
ECOWD16258	J00	Change C35.	RJ	4-23-2013
ECOWD16327	J01	ADD FUSE CLIPS TO BOM	RJ	5-13-2013
ECOWD16437	J02	Change U16: remove R124.	RJ	6-04-2013



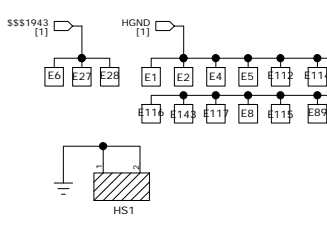
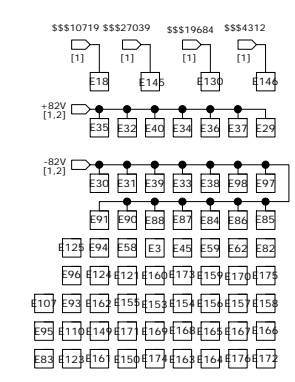
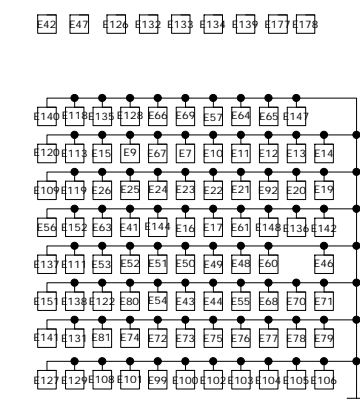
- SCH 2034544-XX SCHEMATIC PCB ASSY MAIN BOARD PF500
- PCB 2034543-08 PCB FAB MAIN BOARD PF500
- FORC34 0032291 SHRINK TUBE 18X40MM
- FORTH1 0032291 SHRINK TUBE 18X40MM
- FORL3L6 0025312 WIRE JUMPER 20AWG 60MM
- FORL7 0021206 TIE WRAP 4.5" LG
- FORC141 0032291 SHRINK TUBE 18X40MM
- FORC118 0032291 SHRINK TUBE 18X40MM



APPROVALS		DATE	 PF500 MAIN POWER SUPPLY SECTION
DRAWN:	YOUNG	12.25.2009	
CHECKED:	RJ	9/30/2010	
NP ENG:			
MATERIAL:			
MFG:			SIZE: D SCALE: NONE DWG. NO: 2034544-XX REV. J02
MFG ENG:			DWG. FILE:
ISSUED:			SHEET 1 OF 2



- MISC1 730-001-00 THERMAL COMPOUND
- MISC2 2034504 SILICONE RTV
- SCR18 0029375 SCR SEMS M3X16 PNH PHILLIP STL NICKEL
- SCR17 0026673 SCR SEMS M3X12 PNH PHILLIP STL NICKEL
- SCR16 0026673 SCR SEMS M3X12 PNH PHILLIP STL NICKEL
- HS5 2035269 HEATSINK 1 PF500
- HS6 2035270 HEATSINK 2 PF500
- HS7 2035271 HEATSINK 3 PF500
- PLT2 2035974 PLATE 25X19X1MM CER
- SCR13 0026671 SCR SEMS M3X10 PNH PHILLIP STL NICKEL
- SCR12 0026671 SCR SEMS M3X10 PNH PHILLIP STL NICKEL
- SCR7 0026673 SCR SEMS M3X12 PNH PHILLIP STL NICKEL
- SCR6 0026673 SCR SEMS M3X12 PNH PHILLIP STL NICKEL
- SCR5 0026673 SCR SEMS M3X12 PNH PHILLIP STL NICKEL
- SCR2 0026673 SCR SEMS M3X12 PNH PHILLIP STL NICKEL
- SCR4 0026671 SCR SEMS M3X10 PNH PHILLIP STL NICKEL
- SCR1 0026671 SCR SEMS M3X10 PNH PHILLIP STL NICKEL
- CLP2 FIT PART SVT-7PRO (Bar Clamp)
- CLP1 0033326 FIT PART SVT-7PRO (Bar Clamp)
- SCR15 0026671 SCR SEMS M3X10 PNH PHILLIP STL NICKEL
- SCR14 0026671 SCR SEMS M3X10 PNH PHILLIP STL NICKEL
- PLT1 2035974 PLATE 25X19X1MM CER
- INS3 2035273 INSULATOR HEATSINK 1 PF500
- INS1 2037008 INSULATOR HEATSINK 2 PF500
- SCR11 0029375 SCR SEMS M3X16 PNH PHILLIP STL NICKEL
- SCR10 0029375 SCR SEMS M3X16 PNH PHILLIP STL NICKEL
- SCR9 0029375 SCR SEMS M3X16 PNH PHILLIP STL NICKEL
- SCR8 0029375 SCR SEMS M3X16 PNH PHILLIP STL NICKEL
- SCR3 0029375 SCR SEMS M3X16 PNH PHILLIP STL NICKEL



APPROVALS		DATE
DRAWN:	YOUNG	12.25.2009
CHECKED:		
MP ENG:		
MATERIAL:		
MPG:		
MPG ENG:		
ISSUED:		

 TECHNOLOGIES INC. WOODINVILLE WA. USA		
PF500 MAIN CLASS_D AMP SECTION		
SIZE	SCALE:	DWG. NO.
D	NONE	2034544-XX
DWG FILE:		REV
		J02
		SHEET 2 OF 2