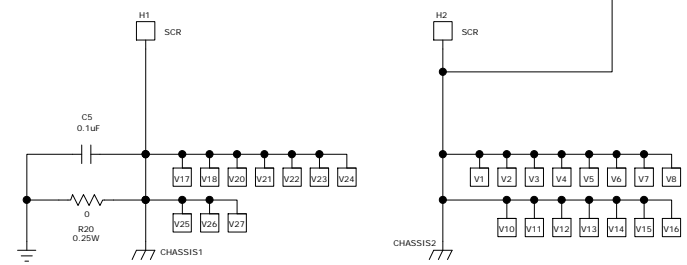
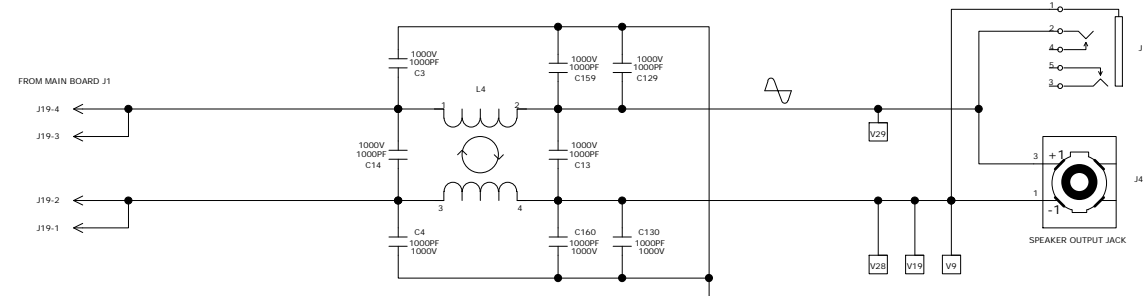
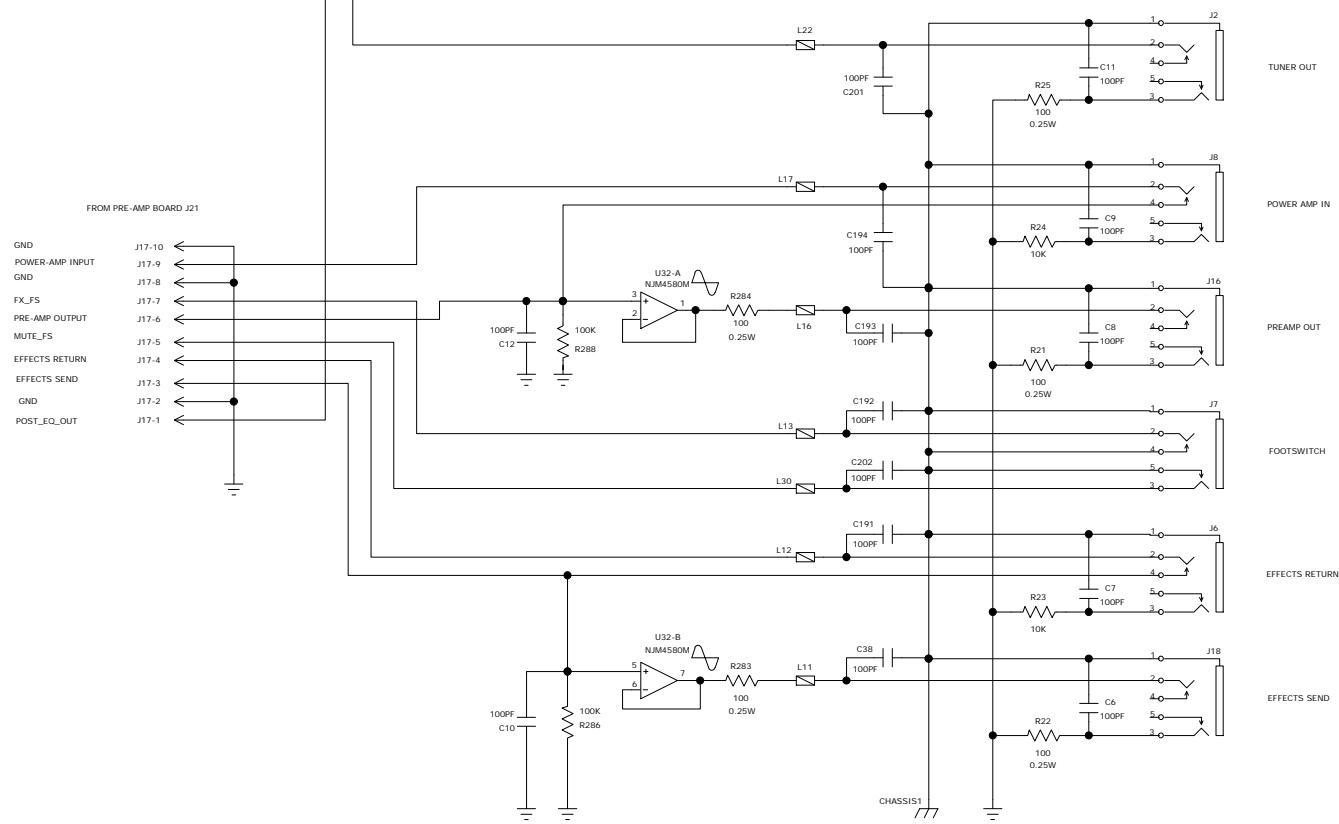
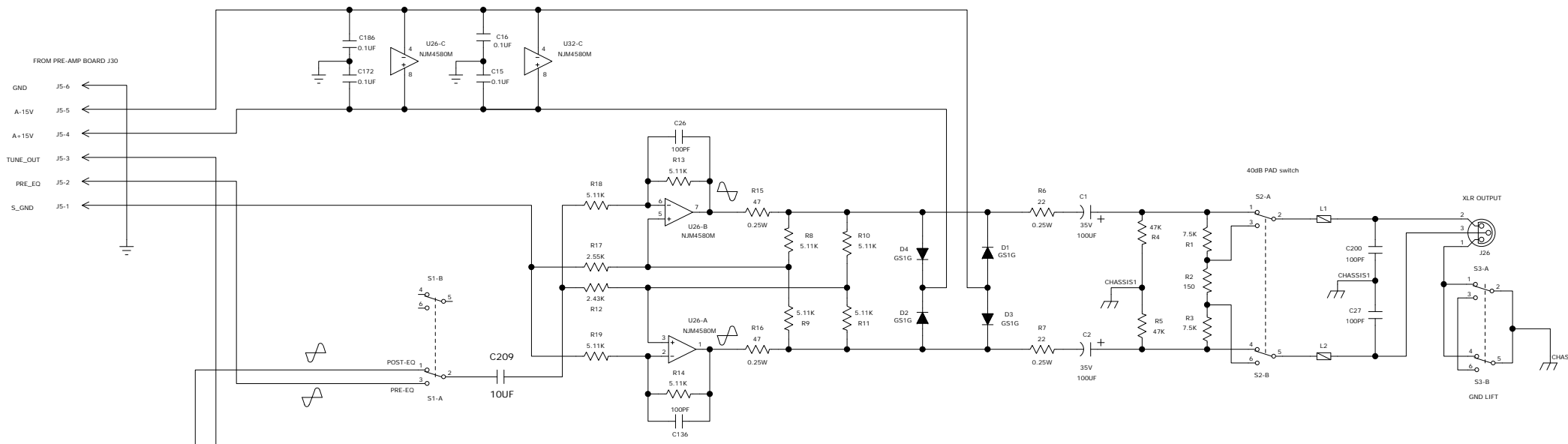


ECO/DSR	REV.	DESCRIPTION	REV. BY.	DATE
ECOHN0837	100	RELEASE TO PROTOTYPE	YOUNG	1.15.2010
	101	REMOVE RCA JACK, CHANGE ONE OUTPUT SPEAKON TO JACK	YOUNG	3.15.2010
	200	CHANGE PHONE JACK P/N	YOUNG	4.14.2010
ECOWD12898	A00	RELEASE TO PILOT	YOUNG	6.10.2010



- SCH 2034779-XX SCHEMATIC PCB ASSY OUTPUT BOARD PF500
- PCB 2034778-01 PCB FAB FR4 DOUBLE 1 OZ 1.6MM PF500 OUTPUT BOARD

APPROVALS		DATE	
DRAWN:	YOUNG	1.15.2010	
CHECKED:			
NP ENG:			
MATERIAL:			
MFG:			
MFG ENG:			
ISSUED:			

LOUD		TECHNOLOGIES INC. WOODINVILLE WA. USA	
PF500 OUTPUT			
SIZE	SCALE:	DWG. NO.	REV.
D	NONE	2034779-XX	B00
DWG FILE:		SHEET 1 OF 1	