

Service *Manual*

MODEL: JCA22H



Version1.0 Revised on Dec 2011

CONTENTS

1. INTRODUCTION.....	1
2. BLOCK DIAGRAM.....	2
3 SCHEMATIC DIAGRAM.....	3
4. WIRING DIAGRAM.....	6
5. EXPLODED VIEW & MECHANICAL PARTS LIST.....	7
6. BOM.....	10

1. INTRODUCTION

Introduction

JCA22H is a guitar power amplifier designed for guitarists rehearsals and concert.

Rear panel:

AC input adopting wide voltage design controls via voltage switch; speaker enclosure interface features 4 ohms, 8 ohms and 16 ohms at outputs for connecting different loads;
External effects: control the switchable channels via the footswitch input

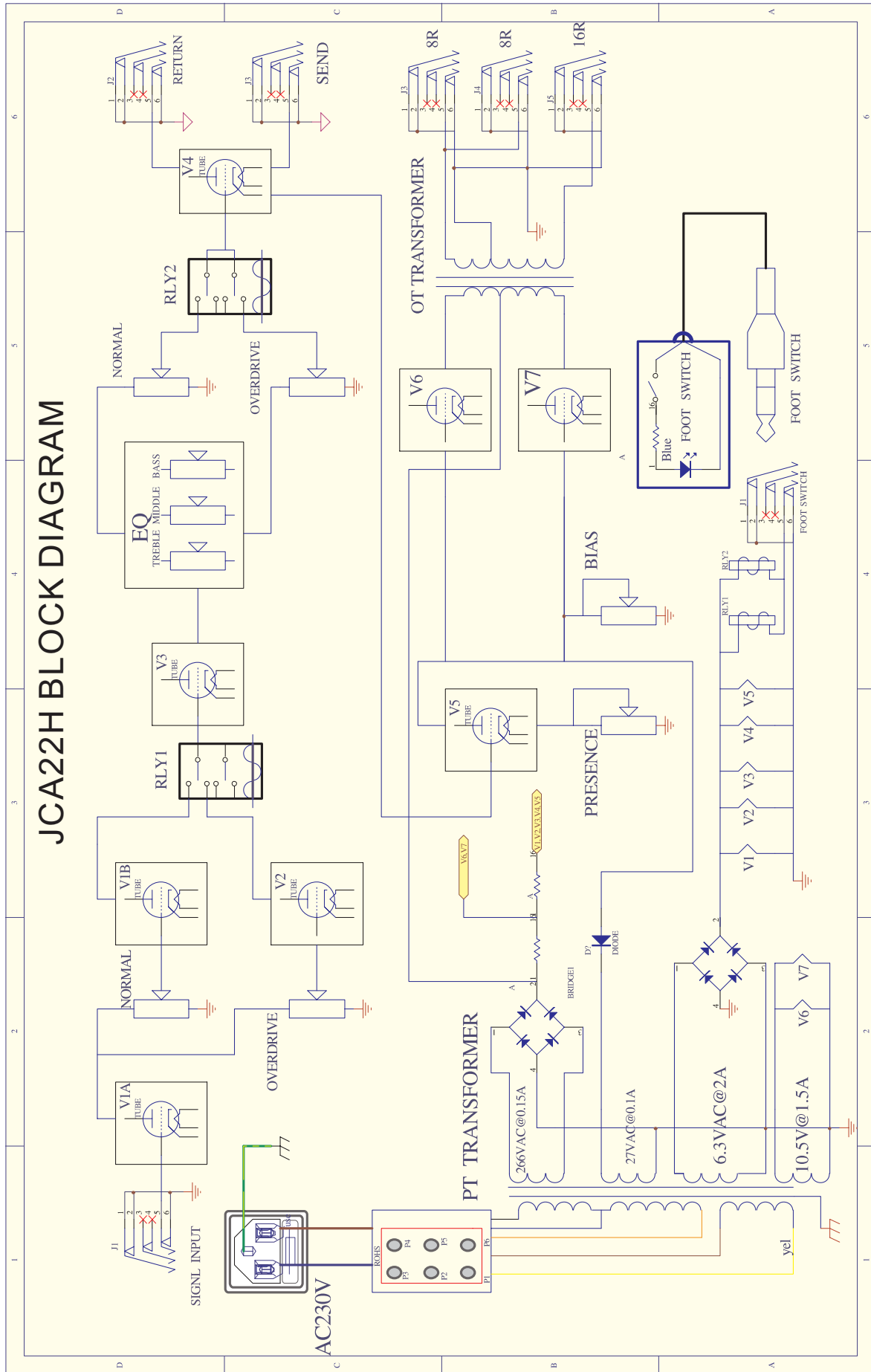
Front panel:

1 MIC IN(mono)with EQ(bass, middle and treble controls) for guitar signal
Power SW;
JCA22H also equipped clean, overdrive channels and the footswitch

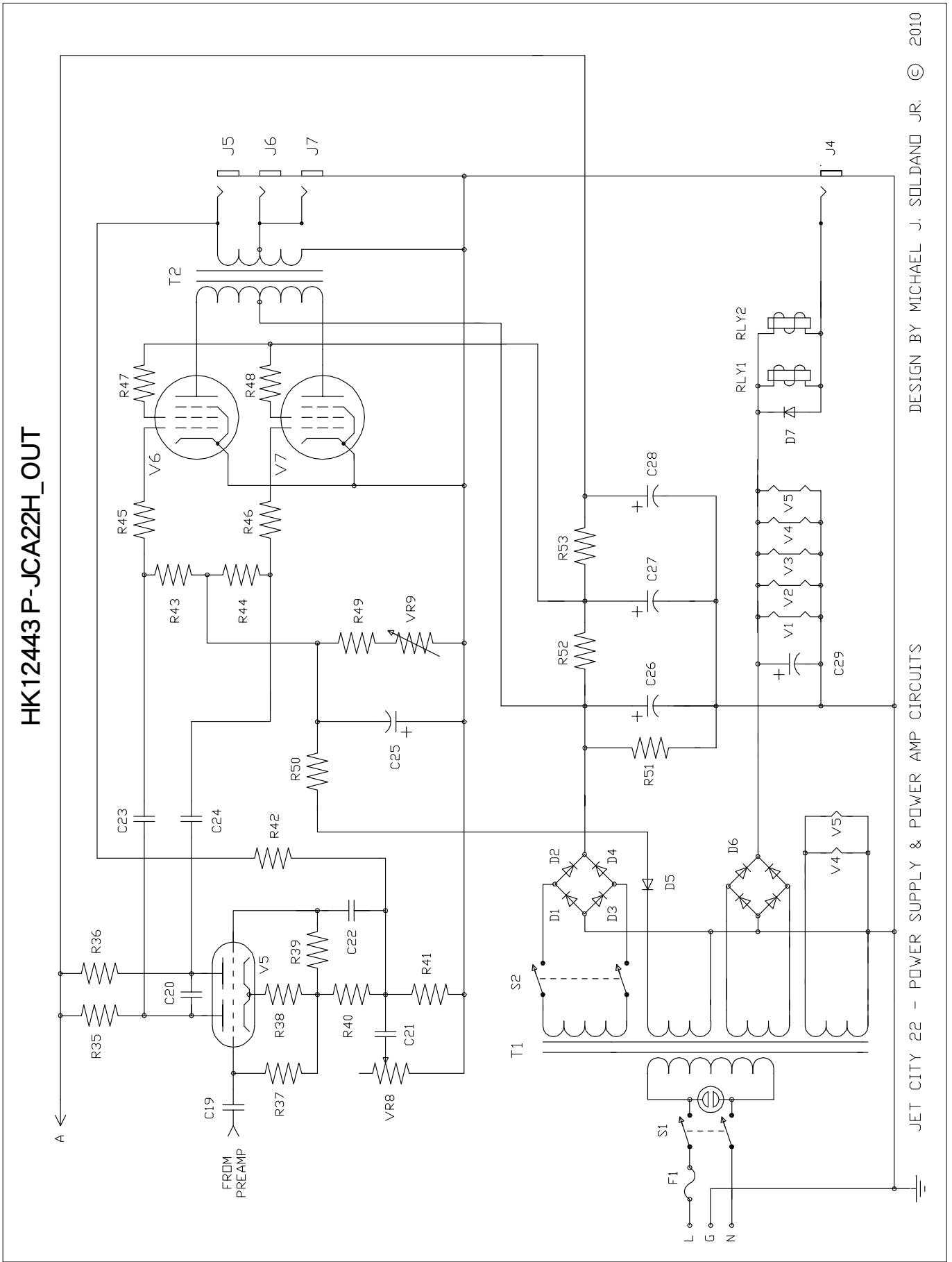
Specification

Power output: 20W/8 Ohms
Distortion: 32%
Input sensitivity: -45dBV
Frequency response: 50Hz~ 5KHz
SNR: -61DB

2. BLOCK DIAGRAM

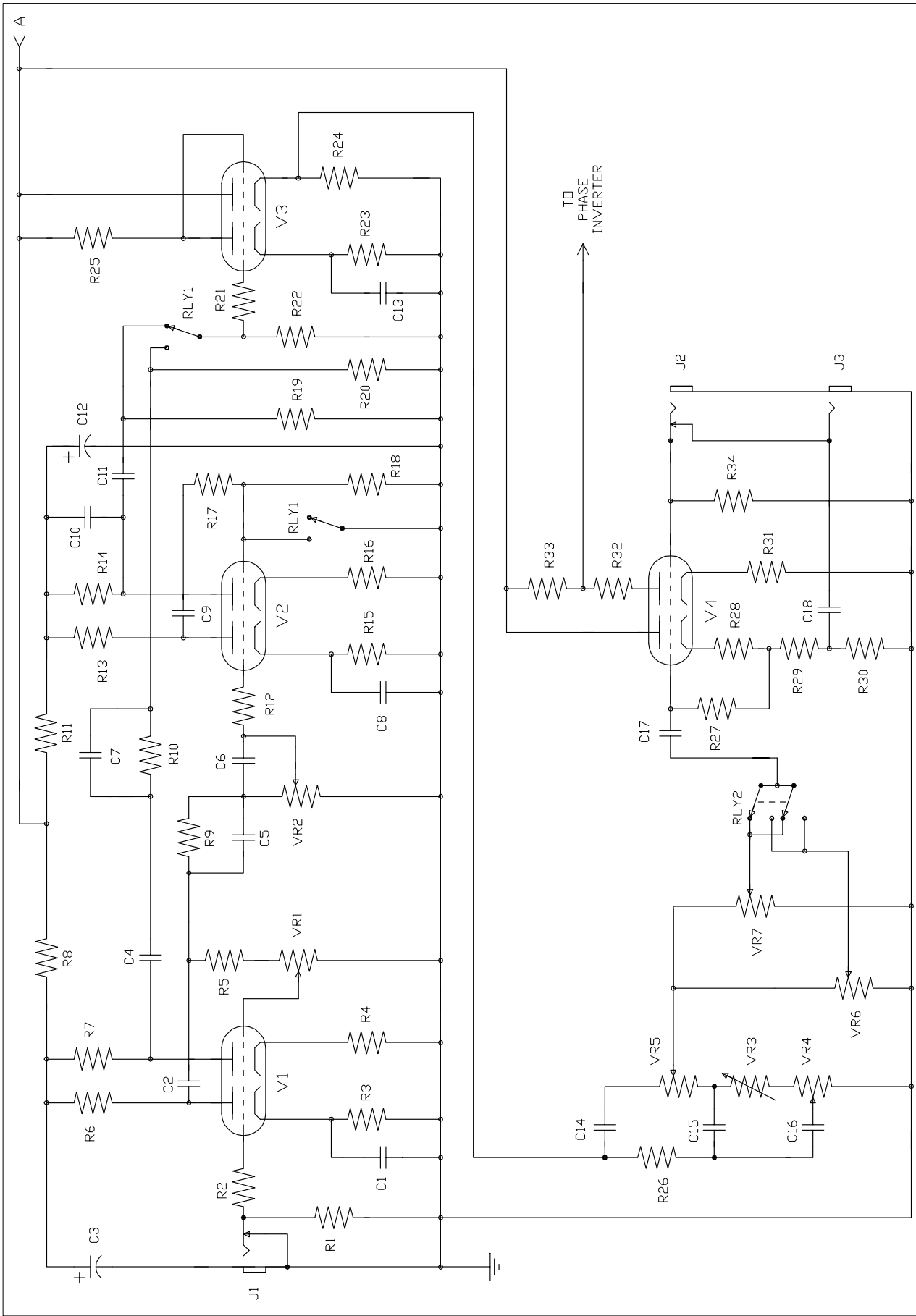


3. SCHEMATIC DIAGRAM



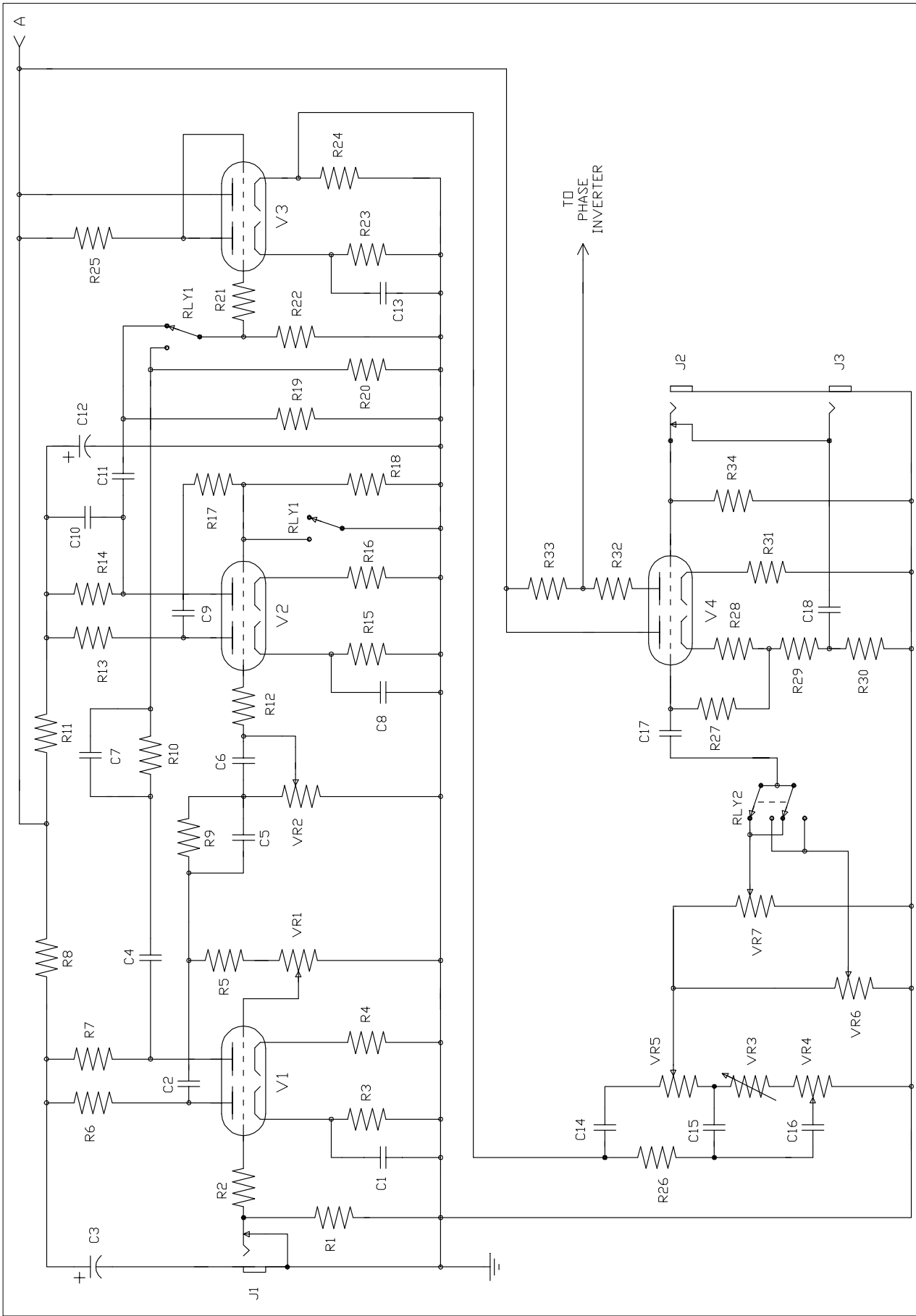
DESIGN BY MICHAEL J. SOLDANO JR. © 2010

JET CITY 22 - POWER SUPPLY & POWER AMP CIRCUITS



JET CITY 22 - PREAMP CIRCUITS

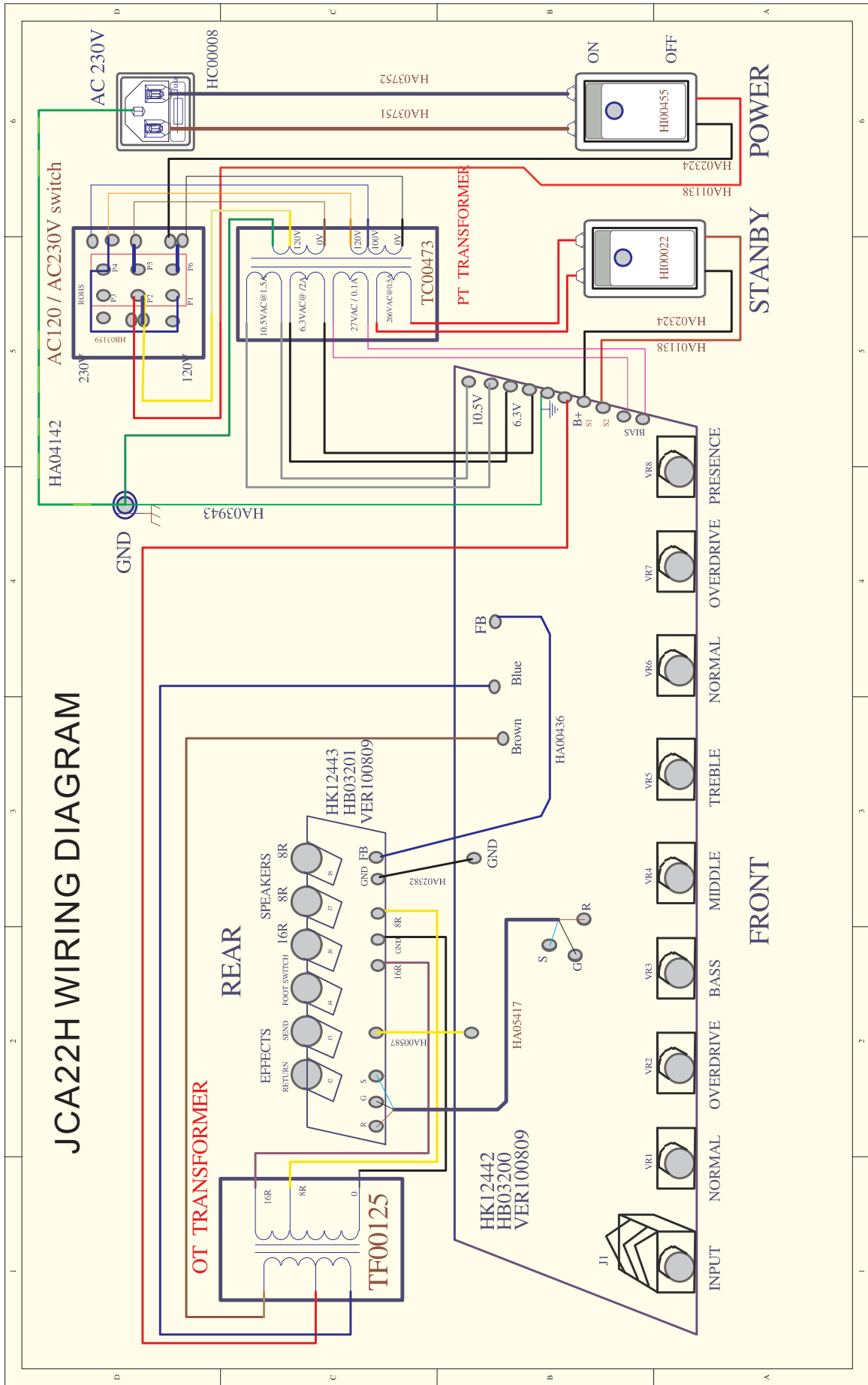
DESIGN BY MICHAEL J. SOLDANO JR. © 2010



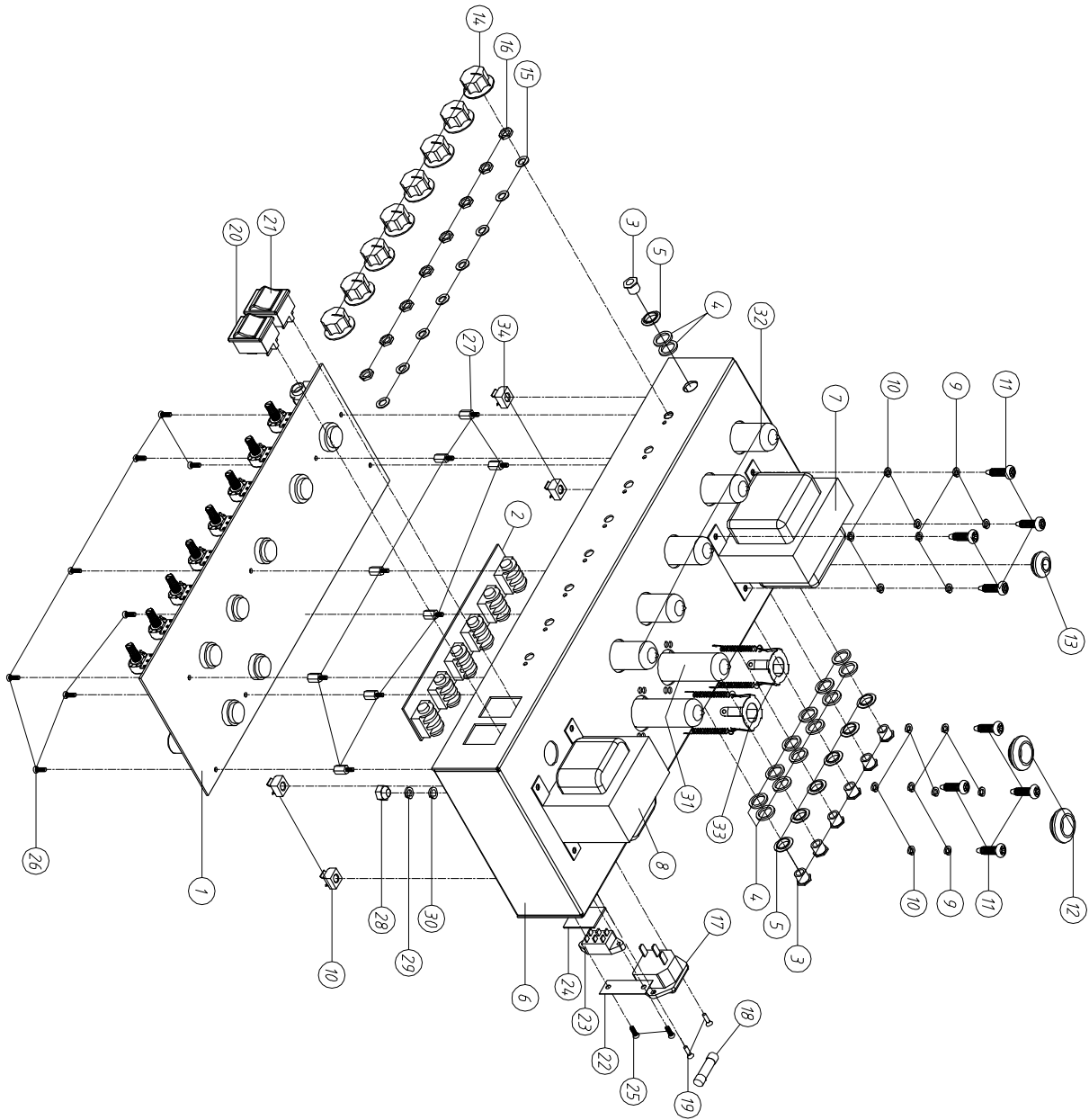
JET CITY 22 - PREAMP CIRCUITS

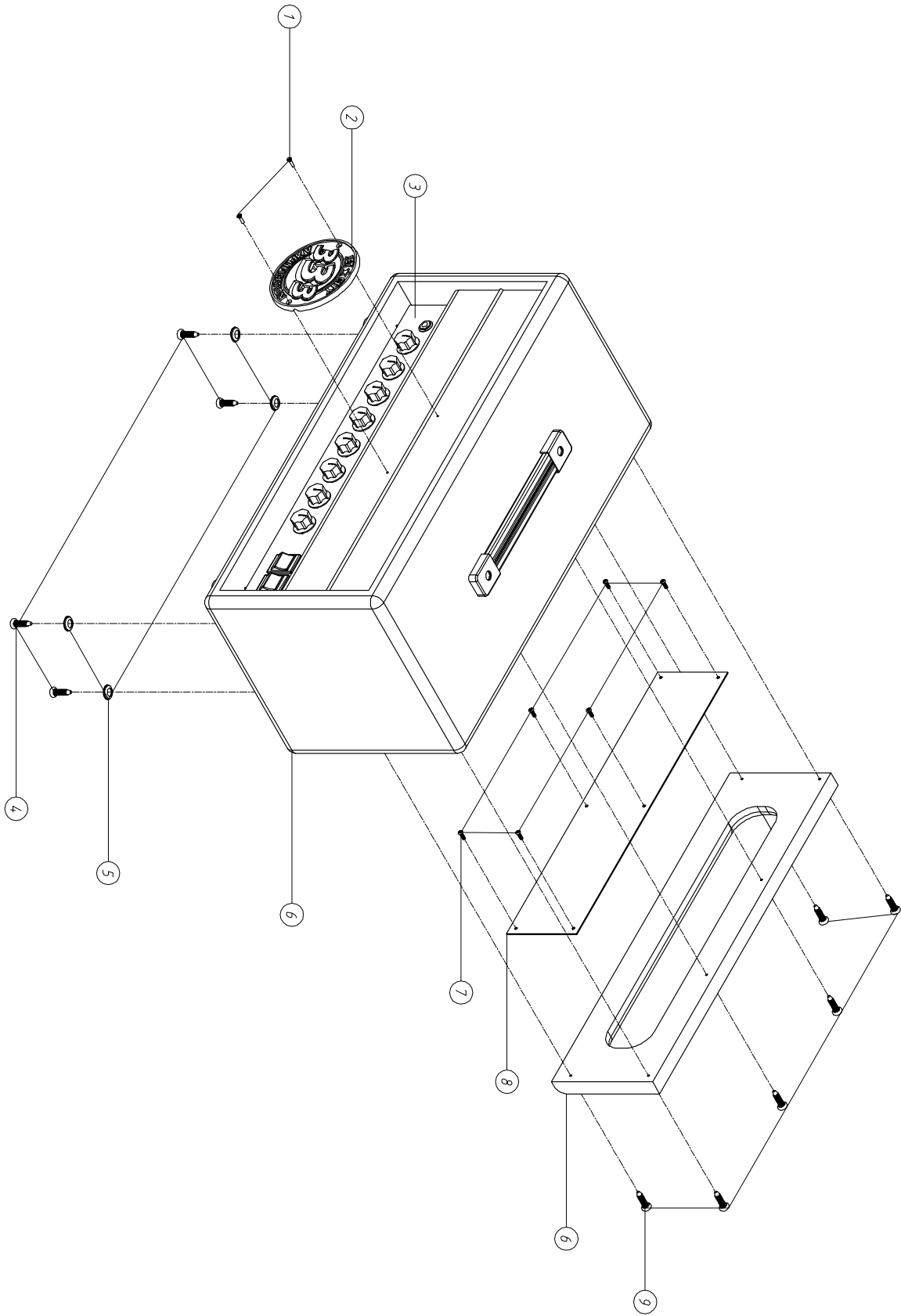
DESIGN BY MICHAEL J. SOLDANO JR. © 2010

4. WIRING DIAGRAM



5. EXPLODED VIEW & MECHANICAL PARTS LIST





S/N	Part No	Description	Specification	Qty
1	HK12442	K-PCB	P-JCA22H_MAIN-DIP	1
2	HK12443	K-PCB	P-JCA22H_OUT-DIP	1
3	ME00304	T-nut-RS	9.3*f 6.42*f 9.35 T-0664-N	7
4	NC00424	T-wood washer-RS-ACT	1.6*f 11.3*f 15.4 T0661-WA11.1-R 紅	14
5	NI03489	T-plastic washer-RS-ACT	2.6*f 15.7*f 9.8 T-664-D01	7
6	MA08801	ZC-front panel-RS	JCA22H JET CITY_V1.0	1
7	TF00125	output transformer-RS	OT-JC20	1
8	TC00473	constant voltage transformer-RS	PT-JC22_100/120/240V_50/60Hz	1
9	MF00039	spring washer-RS	φ5*φ8*1.2T_V 1.2	8
10	MG00477	T-nut-RS	6mm	4
11	MG00599	white screw-RS	M5*9.6*0.8PH_V1.0	8
12	NI04105	rubber plug-RS	GA-20 f 16*f 27*10	2
13	NI00171	rubber plug-RS	9*f 20*10mm	1
14	NI05689	plastic knob-RS-CT-ABS	25.4*15	8
15	MF00189	washer-RS	12*f 7.2*0.4	8
16	ME00303	nut-RS	10*f 7*2.5	8
17	HC00008	AC inlet-RS	3515 A TYPE(RF-2004-C-4.8)	1
18	HD00013	glass tube fuse-RS	3.15A 250V φ5.2*20mm CSA/S/UL/VDE	2
19	MG00042	black screw-RS	M3*10	2
20	HI00455	power supply SW-RS	4P 16A R595KFIT2FA	1
21	HI00022	power supply SW-RS	4PR13-69A	1
22	NI03205	protection cover-RS	0.5*44*15_V1.0	1
23	HI00345	sliding SW-RS	L21-22A2 10A/250V	1
24	HB03159	PCB-RS	JCA-SW(4*5)_VER100225	1
25	MG00566	black screw-RS	M3*10*0.5PH_V1.0	2
26	MG00269	nickel screw-RS	M3*6	8
27	MG00846	copper pillar-RS	M3*10*0.5PH	8
28	ME00016	multicolored nut-RS	4mm	1
29	MF00038	spring washer-RS	f 4*f 7*1t	2
30	MF00048	star washer-RS	f 4*f 8*0.5t	1
31	HD00137	vacuum tube-RS	EL84	2
32	HD00063	vacuum tube-RS-ACT	12AX7WA	5
33	MH01859	separating hood-RS-ACT	TUBE RETAINER2-1(BELTON)	2

6. BOM

EUROPE

Rank	Part No	Description	Specification	Insert Location
PI02475		AMPLIFIER	JCA22H_JET CITY_230V_CHINA	
0001	MG00063	screw	M3*12	
0002	MG00489	screw	M3*20	
0003	MG00511	screw-RS	M4*37_V1.1	
0004	HA00861	power cord Europe 3P	LT-312+LT-501	
0005	MG00670	SCREW-RS	M6*40	
0006	MF00155	washer-RS	φ18*φ6.5*0.8t	
0007	NE12597	lable	ASHDOWN 230V_V1.0	
0008	NA00875	PE bag-RS	0.05t*820*540mm_V1.0	
0009	NA00858	PE bag-RS	0.04t*240*160mm_V1.0	
0010	NI05676	label-RS-CT-ABS	JC-20 6.35*φ104.43_V1.0	
0011	MD01431	iron net-RS	93*389 PH=25*12_V1.1	
0012	NE19827	label-RS	JET CITY SERIES_V1.0	
0013	NA01048	silk wadding-RS-CT	JCA100H_V1.0	
0014	HK12252	faceplate	FOOTSWITCH_JET CITY_JCA50H	
0001	RA00805	fixed resistor 1/4W	68KΩ	
0002	SA00379	L.E.D-RS	φ3 blue(TY-30BL5TM70-250)	
0003	NI00559	bushing	5P-4	
0004	NI02952	lamp cover	LC3-1 φ3 LED	
0005	MG00025	screw-RS	M3*6	
0006	HI00295	foot-switch-RS-C	01-690C	
0007	HC00038	MIC plug	φ6.3(metal)	
0008	HA01710	MIC wire-RS	φ6*1C*20/0.12+30/0.12*15FT	
0009	ND00619	EV foam	2.0t*70*105 black_V1.0	
0010	NA00860	PE bag-RS	0.04t*280*220mm_V1.0	
0011	NB06512	inner case-RS-CT	JCA100H_V1.0	
0012	MA08125	panel-RS	JCA-100H JET CIYT_V1.2	
0013	MB04441	chassis	ABM SINGLE 1.6t*45*110*83.5_V1.3	
0015	NC03051	box-RS	JCA20H 23#_V1.2	
0016	HK13066	faceplate	JCA22H_JET CITY_230V	
0001	NI03489	plastic washer	2.6*φ15.7*φ9.8 T-664-D01	
0002	NI00252	sleeve	φ4*20mm	
0003	NI00267	sleeve	φ6*18mm	
0004	NI00171	rubber stopper	φ9*φ20*10mm black_V1.0	
0005	NI00218	cable tie	ALT-102SB	
0006	NI03205	protective cover	0.5*44*15_V1.0	
0007	NC00424	washer	1.6*φ11.3*φ15.4 T0661-WA11.1-R red	
0008	MF00039	washer	φ5*φ8*1.2T_V 1.2	
0009	MF00038	washer-RS	φ4*φ7*1t	
0010	MF00048	washer-RS	φ4*φ8*0.5t	
0011	ME00016	color nut	4m/m	
0012	MH01859	separating shade	TUBE RETAINER2-1(BELTON)	
0013	MG00566	screw	M3*10*0.5PH_V1.0	
0014	MG00477	nut	6mm	
0015	MG00269	screw-RS	M3*6	
0016	HI00022	power switch-RS	4p black frame red key	
0017	HD00009	glass tube fuse	1.6A 250V φ5.2*20mm CSA/S/UL/VDE	
0018	HD00063	vacuum tube	12AX7WA	
0019	HC00008	AC socket	3515 A TYPE(RF-2004-C-4.8)	
0020	HA01138	signle terminal wiring CF:W08	170 red	
0021	HA00587	wire	70mm yellow L5R5	
0022	HA00436	wire	150mm blue L5R5	
0023	HA03943	signle terminal wiring	120mm UL1015 18AWG	
0024	HA03752	wire-RS	200mm UL1015 18AWG blue	
0025	HA03751	wire-RS	200mm UL1015 18AWG plam	
0026	HA02324	signle terminal wiring	160mm UL1015 18AWG black	

Rank	Part No	Description	Specification	Insert Location
0027	HA02382	wire-RS	55mm black L5R5	
0028	HA04142	wire	100mm UL1015 18AWG green roll yellow	
0029	NI04105	hole stopper	GA-20 ϕ 16* ϕ 27*10 black	
0030	MG00042	screw	M3*10	
0031	HD00137	vacuum tube-RS	EL84	
0032	MG00846	iron pillar-RS	M3*10*0.5PH 15mm_V1.0	
0033	MF00189	washer-RS	ϕ 12* ϕ 7.2*0.4	
0034	ME00303	copper nut-RS	ϕ 10* ϕ 7*2.5	
0035	ME00304	copper nut-RS	9.3* ϕ 6.42* ϕ 9.35 T-0664-N	
0036	NI05689	knob-RS-CT	ϕ 25.4*15_V1.0	
0037	TF00125	Output Transformer-RS	OT-JC20	
0038	HA05417	wire-RS	300mm grey LG5RG5	
0039	HK13508	PC board-RS	P-JCA-SW	
0001	HB03159	PCB-RS	JCA-SW(1*5)_VER110809	
0002	HI00345	slide switch-RS	L21-22A2 10A/250V	SW1
0003	AC00603	lead free soldering bar	S100	
0040	HI00455	power switch-RS	4P 16A R595KFIT2FA	
0041	HK12443	PC board-RS	P-JCA22H_OUT-DIP	
0001	AC00603	lead free soldering bar	S100	
0002	HC01135	stereo MIC jack-RS	ϕ 6.4 S-6351-4P	J2,J3,J4,J5,J6,J7
0003	HB03201	PCB-RS	JCA22H_OUT(1*5)_VER100809	
0042	HK12442	PC board-RS	P-JCA22H_MAIN-DIP	
0001	RA01606	precise metal-oxide-film resistor-RS 1W	470 Ω	R38
0002	RA00808	metal-oxide-film resistor 1W	1.8K Ω	R3,R15,R23
0003	RA01596	precise metal-oxide-film resistor-RS 1W	100 K Ω	R7,R13,R14,R24,R25,R36
0004	RA01601	precise metal-oxide-film resistor-RS 1W	10K Ω	R33,R40,R49,R50
0005	RA01884	precise metal-oxide-film resistor-RS 2W	10.0k Ω \pm 1%	R53
0006	RA01605	precise metal-oxide-film resistor-RS 1W	15K Ω	R8,R11,R54,R29
0007	RA00062	metal-oxide-film resistor 3W	1.0K Ω RSS P type	R52
0008	RA01593	precise metal-oxide-film resistor-RS 1W	1M Ω	R1,R5,R9,R10,R18,R27,R37,R39
0009	RA01595	precise metal-oxide-film resistor-RS 1W	2.2K Ω	R4,R28,R31,R45,R46
0010	RA01886	precise metal-oxide-film resistor-RS 1W	2.2M Ω \pm 1%	R19,R20
0011	RA01599	precise metal-oxide-film resistor-RS 1W	220K Ω	R6,R21,R43,R44
0012	RA01539	metal-oxide-film resistor-RS 3W	220K Ω P type	R51
0013	RA01882	precise metal-oxide-film resistor-RS 1W	330k Ω \pm 1%	R22
0014	RA01847	precise metal-oxide-film resistor-RS 1W	39K Ω	R16
0015	RA01604	precise metal-oxide-film resistor-RS 1W	4.7K Ω	R30,R41
0016	RA01883	precise metal-oxide-film resistor-RS 2W	470.0 Ω \pm 1%	R47,R48
0017	RA01598	precise metal-oxide-film resistor-RS 1W	470K Ω	R12,R17,R34
0018	RA01594	precise metal-oxide-film resistor-RS 1W	47K Ω	R26,R42
0019	RA01881	precise metal-oxide-film resistor-RS 1W	68k Ω \pm 1%	R2,R32
0020	RA01603	precise metal-oxide-film resistor-RS 1W	82K Ω	R35
0021	CA00117	ceramic capacitor-RS	0.001uF/500V Y5P	C5,C10
0022	CF00212	metal-oxide-film capacitor-RS	0.022uF/400V 10%	C2,C4,C19,C23,C9,C11,C15,C16,C17,C24
0023	CF00033	metal-film capacitor MEF	0.1uF/250V 10%	C21,C22
0024	CB00366	electrolytic capacitor-RS	10uF/450V ϕ 13*21mm	C3,C12,C30
0025	CF00046	metal-film capacitor MEF	1.0uF/250V 10%	C1,C8,C13,C18
0026	CB00326	electrolytic capacitor-RS	22000uF/25V ψ 30*35mm	C29
0027	CB00415	electrolytic capacitor-RS	22uF/450V 105 $^{\circ}$ C ϕ 16*25mm	C27,C28
0028	CB00327	electrolytic capacitor-RS	22uF/100V ϕ 8*12mm	C25
0029	CA00137	ceramic capacitor-RS	270PF/500V Y5P	C20
0030	CA00134	ceramic capacitor-RS	470PF/1000V Y5P	C6,C7,C14
0031	CB00416	electrolytic capacitor-RS	47uF/450V 105 $^{\circ}$ C ϕ 18*25mm	C26
0032	RC00381	potentiometer	A1M Ω RV16A-20-15K-A1M-3	VR1,VR2,VR3,VR6,VR7

Rank	Part No	Description	Specification	Insert Location
0033	RC00502	potentiometer	B25KΩ RV16A-20-15K-B25K-3	VR4,VR8
0034	RC00501	potentiometer	B250KΩ RV16A-20-15K-B250K-3	VR5
0035	RC00591	precise metal-oxide-film resistor-RS	B50K T1502N-AI-B503-0H03	VR9
0036	SA00159	rectifier diode	1A/1000V IN4007	D1,D2,D3,D4,D5,D7
0037	SA00005	bridge rectifier	4A/400V RS405	D6
0038	HC01135	stereo MIC jack-RS	φ6.4 S-6351-4P	J1
0039	HC00890	vacuum tube holder-RS	9PIN PCB (GZC9-B)	V1,V2,V3,V4,V5,V6,V7
0040	RA00157	fixed resistor 1/4W	0Ω	JPO1
0041	HI00008	relay	RY-12W-K 12V	RLY1,RLY2
0042	AC00603	lead free soldering bar	S100	
0043	HB03200	PCB-RS	JCA22H_MAIN_VER100809	
0043	MA08801	panel-RS	JCA22H_JET CITY_V1.0	
0044	TC00473	transformer-RS	PT-JCA22H_100/120/240V_50/60Hz	
0045	MH01857	separating shade	TUBE SHIELD-1(BELTON)	
0046	MG00909	screw-RS	M5*12*0.8PH	
0017	NF03556	user manual-RS	JCA22H_JET CITY_V1.0	
0018	NE21047	label-RS	JCA22H_V1.1	
0019	NE21046	label-RS	JCA22H_V1.0	
0020	NB06922	carton-RS-CT	JCA22H_JET CITY_V1.0	
0021	NA00270	sponge-RS	ASHDOWN 140*140*140mm_V1.0	
0022	NA00706	silk wadding-RS	TPS218NEO-SUB_V1.0	

USA

Rank	Part No	Description	Specification	Insert Location
PI02567		AMPLIFIER	JCA22H_JET CITY_120V_CHINA	
┆0001	MG00063	screw	M3*12	
┆0002	MG00489	screw	M3*20	
┆0003	MG00511	screw-RS	M4*37_V1.1	
┆0004	HA00841	power cord(America 3P)	LT-202+18A*3C(SVT) 6FT+LT-501	
┆0005	MG00670	SCREW-RS	M6*40	
┆0006	MF00155	washer-RS	φ18*φ6.5*0.8t	
┆0007	NA00875	PE bag-RS	0.05t*820*540mm_V1.0	
┆0008	NA00858	PE bag-RS	0.04t*240*160mm_V1.0	
┆0009	NI05676	label-RS-CT-ABS	JC-20 6.35*φ104.43_V1.0	
┆0010	MD01431	iron net-RS	93*389 PH=25*12_V1.1	
┆0011	NE19827	label-RS	JET CITY SERIES_V1.0	
┆0012	NA01048	silk wadding-RS-CT	JCA100H_V1.0	
┆0013	HK12252	faceplate	FOOTSWITCH_JET CITY_JCA50H	
┆0001	RA00805	fixed resistor 1/4W	68KΩ	
┆0002	SA00379	L.E.D-RS	φ3 blue(TY-30BL5TM70-250)	
┆0003	NI00559	bushing	5P-4	
┆0004	NI02952	lamp cover	LC3-1 φ3 LED	
┆0005	MG00025	screw-RS	M3*6	
┆0006	HI00295	foot-switch-RS-C	01-690C	
┆0007	HC00038	MIC plug	φ6.3(metal)	
┆0008	HA01710	MIC wire-RS	φ6*1C*20/0.12+30/0.12*15FT	
┆0009	ND00619	EV foam	2.0t*70*105 black_V1.0	
┆0010	NA00860	PE bag-RS	0.04t*280*220mm_V1.0	
┆0011	NB06512	inner case-RS-CT	JCA100H_V1.0	
┆0012	MA08125	panel-RS	JCA-100H JET CIYT_V1.2	
┆0013	MB04441	chassis	ABM SINGLE 1.6t*45*110*83.5_V1.3	
┆0014	NC03051	box-RS	JCA20H 23#_V1.2	
┆0015	HK13065	faceplate	JCA22H_JET CITY_120V	
┆0001	NI03489	plastic washer	2.6*φ15.7*φ9.8 T-664-D01	
┆0002	NI00252	sleeve	φ4*20mm	
┆0003	NI00267	sleeve	φ6*18mm	
┆0004	NI00171	rubber stopper	φ9*φ20*10mm black_V1.0	
┆0005	NI00218	cable tie	ALT-102SB	
┆0006	NI03205	protective cover	0.5*44*15_V1.0	
┆0007	NC00424	washer	1.6*φ11.3*φ15.4 T0661-WA11.1-R red	
┆0008	MF00039	washer	φ5*φ8*1.2T_V 1.2	
┆0009	MF00038	washer-RS	φ4*φ7*1t	
┆0010	MF00048	washer-RS	φ4*φ8*0.5t	
┆0011	ME00016	color nut	4m/m	
┆0012	MH01859	separating shade	TUBE RETAINER2-1(BELTON)	
┆0013	MG00566	screw	M3*10*0.5PH_V1.0	
┆0014	MG00477	nut	6mm	
┆0015	MG00269	screw-RS	M3*6	
┆0016	HI00022	power switch-RS	4p black frame red key	
┆0017	HD00063	vacuum tube	12AX7WA	
┆0018	HC00008	AC socket	3515 A TYPE(RF-2004-C-4.8)	
┆0019	HA01138	signle terminal wiring CF:W08	170 red	
┆0020	HA00587	wire	70mm yellow L5R5	
┆0021	HA00436	wire	150mm blue L5R5	
┆0022	HA03943	signle terminal wiring	120mm UL1015 18AWG	
┆0023	HA02324	signle terminal wiring	160mm UL1015 18AWG black	
┆0024	HA02382	wire-RS	55mm black L5R5	
┆0025	HA04142	wire	100mm UL1015 18AWG green roll yellow	
┆0026	NI04105	hole stopper	GA-20 φ16*φ27*10 black	
┆0027	MG00042	screw	M3*10	
┆0028	HD00137	vacuum tube-RS	EL84	
┆0029	MG00846	iron pillar-RS	M3*10*0.5PH 15mm_V1.0	

Rank	Part No	Description	Specification	Insert Location
0030	HK12442	PC board-RS	P-JCA22H_MAIN-DIP	
0001	RA01606	precise metal-oxide-film resistor-RS 1W	470Ω	R38
0002	RA00808	metal-oxide-film resistor 1W	1.8KΩ	R3,R15,R23
0003	RA01596	precise metal-oxide-film resistor-RS 1W	100 KΩ	R7,R13,R14,R24,R25,R36
0004	RA01601	precise metal-oxide-film resistor-RS 1W	10KΩ	R33,R40,R49,R50
0005	RA01884	precise metal-oxide-film resistor-RS 2W	10.0kΩ±1%	R53
0006	RA01605	precise metal-oxide-film resistor-RS 1W	15KΩ	R8,R11,R54,R29
0007	RA00062	metal-oxide-film resistor 3W	1.0KΩ RSS P type	R52
0008	RA01593	precise metal-oxide-film resistor-RS 1W	1MΩ	R1,R5,R9,R10,R18,R27,R37,R39
0009	RA01595	precise metal-oxide-film resistor-RS 1W	2.2KΩ	R4,R28,R31,R45,R46
0010	RA01886	precise metal-oxide-film resistor-RS 1W	2.2MΩ±1%	R19,R20
0011	RA01599	precise metal-oxide-film resistor-RS 1W	220KΩ	R6,R21,R43,R44
0012	RA01539	metal-oxide-film resistor-RS 3W	220KΩ P type	R51
0013	RA01882	precise metal-oxide-film resistor-RS 1W	330kΩ±1%	R22
0014	RA01847	precise metal-oxide-film resistor-RS 1W	39KΩ	R16
0015	RA01604	precise metal-oxide-film resistor-RS 1W	4.7KΩ	R30,R41
0016	RA01883	precise metal-oxide-film resistor-RS 2W	470.0Ω±1%	R47,R48
0017	RA01598	precise metal-oxide-film resistor-RS 1W	470KΩ	R12,R17,R34
0018	RA01594	precise metal-oxide-film resistor-RS 1W	47KΩ	R26,R42
0019	RA01881	precise metal-oxide-film resistor-RS 1W	68kΩ±1%	R2,R32
0020	RA01603	precise metal-oxide-film resistor-RS 1W	82KΩ	R35
0021	CA00117	ceramic capacitor-RS	0.001uF/500V Y5P	C5,C10
0022	CF00212	metal-oxide-film capacitor-RS	0.022uF/400V 10%	C2,C4,C19,C23,C9,C11,C15,C16,C17,C24
0023	CF00033	metal-film capacitor MEF	0.1uF/250V 10%	C21,C22
0024	CB00366	electrolytic capacitor-RS	10uF/450V φ13*21mm	C3,C12,C30
0025	CF00046	metal-film capacitor MEF	1.0uF/250V 10%	C1,C8,C13,C18
0026	CB00326	electrolytic capacitor-RS	22000uF/25V ψ30*35mm	C29
0027	CB00415	electrolytic capacitor-RS	22uF/450V 105°C φ16*25mm	C27,C28
0028	CB00327	electrolytic capacitor-RS	22uF/100V φ8*12mm	C25
0029	CA00137	ceramic capacitor-RS	270PF/500V Y5P	C20
0030	CA00134	ceramic capacitor-RS	470PF/1000V Y5P	C6,C7,C14
0031	CB00416	electrolytic capacitor-RS	47uF/450V 105°C φ18*25mm	C26
0032	RC00381	potentiometer	A1MΩ RV16A-20-15K-A1M-3	VR1,VR2,VR3,VR6,VR7
0033	RC00502	potentiometer	B25KΩ RV16A-20-15K-B25K-3	VR4,VR8
0034	RC00501	potentiometer	B250KΩ RV16A-20-15K-B250K-3	VR5
0035	RC00591	precise metal-oxide-film resistor-RS	B50K T1502N-AI-B503-0H03	VR9
0036	SA00159	rectifier diode	1A/1000V IN4007	D1,D2,D3,D4,D5,D7
0037	SA00005	bridge rectifier	4A/400V RS405	D6
0038	HC01135	stereo MIC jack-RS	φ6.4 S-6351-4P	J1
0039	HC00890	vacuum tube holder-RS	9PIN PCB (GZC9-B)	V1,V2,V3,V4,V5,V6,V7
0040	RA00157	fixed resistor 1/4W	0Ω	JPO1
0041	HI00008	relay	RY-12W-K 12V	RLY1,RLY2
0042	AC00603	lead free soldering bar	S100	
0043	HB03200	PCB-RS	JCA22H_MAIN_VER100809	
0031	MF00189	washer-RS	φ12*φ7.2*0.4	
0032	ME00303	copper nut-RS	φ10*φ7*2.5	
0033	ME00304	copper nut-RS	9.3*φ6.42*φ9.35 T-0664-N	
0034	NI05689	knob-RS-CT	φ25.4*15_V1.0	
0035	TF00125	Output Transformer-RS	OT-JC20	
0036	HA05417	wire-RS	300mm grey LG5RG5	
0037	HK13508	PC board-RS	P-JCA-SW	
0001	HB03159	PCB-RS	JCA-SW(1*5)_VER110809	
0002	HI00345	slide switch-RS	L21-22A2 10A/250V	SW1

Rank	Part No	Description	Specification	Insert Location
L-0003	AC00603	lead free soldering bar	S100	
H-0038	HI00455	power switch-RS	4P 16A R595KFIT2FA	
H-0039	HK12443	PC board-RS	P-JCA22H_OUT-DIP	
L-0001	AC00603	lead free soldering bar	S100	
H-0002	HC01135	stereo MIC jack-RS	φ6.4 S-6351-4P	J2,J3,J4,J5,J6,J7
L-0003	HB03201	PCB-RS	JCA22H_OUT(1*5)_VER100809	
H-0040	MA08801	panel-RS	JCA22H JET CITY_V1.0	
H-0041	TC00473	transformer-RS	PT-JCA22H_100/120/240V_50/60Hz	
H-0042	HD00013	glass tube fuse	3.15A 250V φ5*20mm CSA/S/UL/VDE	
H-0043	MG00599	screw	M5*6*0.8PH_V1.1	
H-0044	HA03751	wire-RS	200mm UL1015 18AWG plam	
H-0045	HA03752	wire-RS	200mm UL1015 18AWG blue	
L-0046	MH01857	separating shade	TUBE SHIELD-1(BELTON)	
H-0016	MG00384	screw	M5*18.5*0.8PH	
H-0017	NE12596	lable	ASHDOWN 120V_V1.0	
H-0018	NF03556	user manual-RS	JCA22H JET CITY_V1.0	
H-0019	NE21047	label-RS	JCA22H_V1.1	
H-0020	NE21046	label-RS	JCA22H_V1.0	
H-0021	NB06922	carton-RS-CT	JCA22H JET CITY_V1.0	
H-0022	NA00270	sponge-RS	ASHDOWN 140*140*140mm_V1.0	
L-0023	NA00706	silk wadding-RS	TPS218NEO-SUB_V1.0	

UK

Rank	Part No	Description	Specification	Insert Location
PI02568		AMPLIFIER	JCA22H_JET CITY_240V_CHINA	
┆0001	MG00063	screw	M3*12	
┆0002	MG00384	screw	M5*18.5*0.8PH	
┆0003	MG00489	screw	M3*20	
┆0004	MG00511	screw-RS	M4*37_V1.1	
┆0005	HA00866	power cord (British 3P)	LT-318+0.75*3C(H05VV-F) 6FT+LT-501	
┆0006	MG00670	SCREW-RS	M6*40	
┆0007	MF00155	washer-RS	φ18*φ6.5*0.8t	
┆0008	NE12598	lable	ASHDOWN 240V_V1.0	
┆0009	NA00875	PE bag-RS	0.05t*820*540mm_V1.0	
┆0010	NA00858	PE bag-RS	0.04t*240*160mm_V1.0	
┆0011	NI05676	label-RS-CT-ABS	JC-20 6.35*φ104.43_V1.0	
┆0012	MD01431	iron net-RS	93*389 PH=25*12_V1.1	
┆0013	NE19827	label-RS	JET CITY SERIES_V1.0	
┆0014	NA01048	silk wadding-RS-CT	JCA100H_V1.0	
┆0015	HK12252	faceplate	FOOTSWITCH_JET CITY_JCA50H	
┆0001	RA00805	fixed resistor 1/4W	68KΩ	
┆0002	SA00379	L.E.D-RS	φ3 blue(TY-30BL5TM70-250)	
┆0003	NI00559	bushing	5P-4	
┆0004	NI02952	lamp cover	LC3-1 ψ3 LED	
┆0005	MG00025	screw-RS	M3*6	
┆0006	HI00295	foot-switch-RS-C	01-690C	
┆0007	HC00038	MIC plug	φ6.3(metal)	
┆0008	HA01710	MIC wire-RS	φ6*1C*20/0.12+30/0.12*15FT	
┆0009	ND00619	EV foam	2.0t*70*105 black_V1.0	
┆0010	NA00860	PE bag-RS	0.04t*280*220mm_V1.0	
┆0011	NB06512	inner case-RS-CT	JCA100H_V1.0	
┆0012	MA08125	panel-RS	JCA-100H JET CIYT_V1.2	
┆0013	MB04441	chassis	ABM SINGLE 1.6t*45*110*83.5_V1.3	
┆0016	HK13066	faceplate	JCA22H_JET CITY_230V	
┆0001	NI03489	plastic washer	2.6*φ15.7*φ9.8 T-664-D01	
┆0002	NI00252	sleeve	φ4*20mm	
┆0003	NI00267	sleeve	φ6*18mm	
┆0004	NI00171	rubber stopper	φ9*φ20*10mm black_V1.0	
┆0005	NI00218	cable tie	ALT-102SB	
┆0006	NI03205	protective cover	0.5*44*15_V1.0	
┆0007	NC00424	washer	1.6*φ11.3*φ15.4 T0661-WA11.1-R red	
┆0008	MF00039	washer	φ5*φ8*1.2T_V 1.2	
┆0009	MF00038	washer-RS	φ4*φ7*1t	
┆0010	MF00048	washer-RS	φ4*φ8*0.5t	
┆0011	ME00016	color nut	4m/m	
┆0012	MH01859	separating shade	TUBE RETAINER2-1(BELTON)	
┆0013	MG00566	screw	M3*10*0.5PH_V1.0	
┆0014	MG00477	nut	6mm	
┆0015	MG00269	screw-RS	M3*6	
┆0016	HI00022	power switch-RS	4p black frame red key	
┆0017	HD00009	glass tube fuse	1.6A 250V φ5.2*20mm CSA/S/UL/VDE	
┆0018	HD00063	vacuum tube	12AX7WA	
┆0019	HC00008	AC socket	3515 A TYPE(RF-2004-C-4.8)	
┆0020	HA01138	signle terminal wiring CF:W08	170 red	
┆0021	HA00587	wire	70mm yellow L5R5	
┆0022	HA00436	wire	150mm blue L5R5	
┆0023	HA03943	signle terminal wiring	120mm UL1015 18AWG	
┆0024	HA03752	wire-RS	200mm UL1015 18AWG blue	
┆0025	HA03751	wire-RS	200mm UL1015 18AWG plam	
┆0026	HA02324	signle terminal wiring	160mm UL1015 18AWG black	

Rank	Part No	Description	Specification	Insert Location
0027	HA02382	wire-RS	55mm black L5R5	
0028	HA04142	wire	100mm UL1015 18AWG green roll yellow	
0029	NI04105	hole stopper	GA-20 ϕ 16* ϕ 27*10 black	
0030	MG00042	screw	M3*10	
0031	HD00137	vacuum tube-RS	EL84	
0032	MG00846	iron pillar-RS	M3*10*0.5PH 15mm_V1.0	
0033	MF00189	washer-RS	ϕ 12* ϕ 7.2*0.4	
0034	ME00303	copper nut-RS	ϕ 10* ϕ 7*2.5	
0035	ME00304	copper nut-RS	9.3* ϕ 6.42* ϕ 9.35 T-0664-N	
0036	NI05689	knob-RS-CT	ϕ 25.4*15_V1.0	
0037	TF00125	Output Transformer-RS	OT-JC20	
0038	HA05417	wire-RS	300mm grey LG5RG5	
0039	HK13508	PC board-RS	P-JCA-SW	
0001	HB03159	PCB-RS	JCA-SW(1*5)_VER110809	
0002	HI00345	slide switch-RS	L21-22A2 10A/250V	SW1
0003	AC00603	lead free soldering bar	S100	
0040	HI00455	power switch-RS	4P 16A R595KFIT2FA	
0041	HK12443	PC board-RS	P-JCA22H_OUT-DIP	
0001	AC00603	lead free soldering bar	S100	
0002	HC01135	stereo MIC jack-RS	ϕ 6.4 S-6351-4P	J2,J3,J4,J5,J6,J7
0003	HB03201	PCB-RS	JCA22H_OUT(1*5)_VER100809	
0042	HK12442	PC board-RS	P-JCA22H_MAIN-DIP	
0001	RA01606	precise metal-oxide-film resistor-RS 1W	470 Ω	R38
0002	RA00808	metal-oxide-film resistor 1W	1.8K Ω	R3,R15,R23
0003	RA01596	precise metal-oxide-film resistor-RS 1W	100 K Ω	R7,R13,R14,R24,R25,R36
0004	RA01601	precise metal-oxide-film resistor-RS 1W	10K Ω	R33,R40,R49,R50
0005	RA01884	precise metal-oxide-film resistor-RS 2W	10.0k Ω ±1%	R53
0006	RA01605	precise metal-oxide-film resistor-RS 1W	15K Ω	R8,R11,R54,R29
0007	RA00062	metal-oxide-film resistor 3W	1.0K Ω RSS P type	R52
0008	RA01593	precise metal-oxide-film resistor-RS 1W	1M Ω	R1,R5,R9,R10,R18,R27,R37,R39
0009	RA01595	precise metal-oxide-film resistor-RS 1W	2.2K Ω	R4,R28,R31,R45,R46
0010	RA01886	precise metal-oxide-film resistor-RS 1W	2.2M Ω ±1%	R19,R20
0011	RA01599	precise metal-oxide-film resistor-RS 1W	220K Ω	R6,R21,R43,R44
0012	RA01539	metal-oxide-film resistor-RS 3W	220K Ω P type	R51
0013	RA01882	precise metal-oxide-film resistor-RS 1W	330k Ω ±1%	R22
0014	RA01847	precise metal-oxide-film resistor-RS 1W	39K Ω	R16
0015	RA01604	precise metal-oxide-film resistor-RS 1W	4.7K Ω	R30,R41
0016	RA01883	precise metal-oxide-film resistor-RS 2W	470.0 Ω ±1%	R47,R48
0017	RA01598	precise metal-oxide-film resistor-RS 1W	470K Ω	R12,R17,R34
0018	RA01594	precise metal-oxide-film resistor-RS 1W	47K Ω	R26,R42
0019	RA01881	precise metal-oxide-film resistor-RS 1W	68k Ω ±1%	R2,R32
0020	RA01603	precise metal-oxide-film resistor-RS 1W	82K Ω	R35
0021	CA00117	ceramic capacitor-RS	0.001 μ F/500V Y5P	C5,C10
0022	CF00212	metal-oxide-film capacitor-RS	0.022 μ F/400V 10%	C2,C4,C19,C23,C9,C11,C15,C16,C17,C24
0023	CF00033	metal-film capacitor MEF	0.1 μ F/250V 10%	C21,C22
0024	CB00366	electrolytic capacitor-RS	10 μ F/450V ϕ 13*21mm	C3,C12,C30
0025	CF00046	metal-film capacitor MEF	1.0 μ F/250V 10%	C1,C8,C13,C18
0026	CB00326	electrolytic capacitor-RS	22000 μ F/25V ψ 30*35mm	C29
0027	CB00415	electrolytic capacitor-RS	22 μ F/450V 105 $^{\circ}$ C ϕ 16*25mm	C27,C28
0028	CB00327	electrolytic capacitor-RS	22 μ F/100V ϕ 8*12mm	C25
0029	CA00137	ceramic capacitor-RS	270PF/500V Y5P	C20
0030	CA00134	ceramic capacitor-RS	470PF/1000V Y5P	C6,C7,C14
0031	CB00416	electrolytic capacitor-RS	47 μ F/450V 105 $^{\circ}$ C ϕ 18*25mm	C26
0032	RC00381	potentiometer	A1M Ω RV16A-20-15K-A1M-3	VR1,VR2,VR3,VR6,VR7
0033	RC00502	potentiometer	B25K Ω RV16A-20-15K-B25K-3	VR4,VR8
0034	RC00501	potentiometer	B250K Ω RV16A-20-15K-B250K-3	VR5
0035	RC00591	precise metal-oxide-film resistor-RS	B50K T1502N-AI-B503-0H03	VR9
0036	SA00159	rectifier diode	1A/1000V IN4007	D1,D2,D3,D4,D5,D7

Rank	Part No	Description	Specification	Insert Location
-0037	SA00005	bridge rectifier	4A/400V RS405	D6
-0038	HC01135	stereo MIC jack-RS	φ6.4 S-6351-4P	J1
-0039	HC00890	vacuum tube holder-RS	9PIN PCB (GZC9-B)	V1,V2,V3,V4,V5,V6,V7
-0040	RA00157	fixed resistor 1/4W	0Ω	JPO1
-0041	HI00008	relay	RY-12W-K 12V	RLY1,RLY2
-0042	AC00603	lead free soldering bar	S100	
-0043	HB03200	PCB-RS	JCA22H_MAIN_VER100809	
-0043	MA08801	panel-RS	JCA22H JET CITY_V1.0	
-0044	TC00473	transformer-RS	PT-JCA22H_100/120/240V_50/60Hz	
-0045	MH01857	separating shade	TUBE SHIELD-1(BELTON)	
-0046	MG00909	screw-RS	M5*12*0.8PH	
-0017	NC03051	box-RS	JCA20H 23#_V1.2	
-0018	NF03556	user manual-RS	JCA22H JET CITY_V1.0	
-0019	NE21047	label-RS	JCA22H_V1.1	
-0020	NE21046	label-RS	JCA22H_V1.0	
-0021	NB06922	carton-RS-CT	JCA22H JET CITY_V1.0	
-0022	NA00270	sponge-RS	ASHDOWN 140*140*140mm_V1.0	
-0023	NA00706	silk wadding-RS	TPS218NEO-SUB_V1.0	

AUSTRALIA

Rank	Part No	Description	Specification	Insert Location
PI02569		AMPLIFIER	JCA22H_JET CITY_240V_CHINA	
-0001	MG00063	screw	M3*12	
-0002	MG00384	screw	M5*18.5*0.8PH	
-0003	MG00489	screw	M3*20	
-0004	MG00511	screw-RS	M4*37_V1.1	
-0005	HA00849	power cord Australia 3P	LT-208A+0.75*3C(H05VV-F) 1.83M+LT-501	
-0006	MG00670	SCREW-RS	M6*40	
-0007	MF00155	washer-RS	φ18*φ6.5*0.8t	
-0008	NE12598	lable	ASHDOWN 240V_V1.0	
-0009	NA00875	PE bag-RS	0.05t*820*540mm_V1.0	
-0010	NA00858	PE bag-RS	0.04t*240*160mm_V1.0	
-0011	NI05676	label-RS-CT-ABS	JC-20 6.35*φ104.43_V1.0	
-0012	MD01431	iron net-RS	93*389 PH=25*12_V1.1	
-0013	NE19827	label-RS	JET CITY SERIES_V1.0	
-0014	NA01048	silk wadding-RS-CT	JCA100H_V1.0	
-0015	HK12252	faceplate	FOOTSWITCH_JET CITY_JCA50H	
-0001	RA00805	fixed resistor 1/4W	68KΩ	
-0002	SA00379	L.E.D-RS	φ3 blue(TY-30BL5TM70-250)	
-0003	NI00559	bushing	5P-4	
-0004	NI02952	lamp cover	LC3-1 φ3 LED	
-0005	MG00025	screw-RS	M3*6	
-0006	HI00295	foot-switch-RS-C	01-690C	
-0007	HC00038	MIC plug	φ6.3(metal)	
-0008	HA01710	MIC wire-RS	φ6*1C*20/0.12+30/0.12*15FT	
-0009	ND00619	EV foam	2.0t*70*105 black_V1.0	
-0010	NA00860	PE bag-RS	0.04t*280*220mm_V1.0	
-0011	NB06512	inner case-RS-CT	JCA100H_V1.0	
-0012	MA08125	panel-RS	JCA-100H JET CIYT_V1.2	
-0016	HK13066	faceplate	JCA22H_JET CITY_230V	
-0001	NI03489	plastic washer	2.6*φ15.7*φ9.8 T-664-D01	
-0002	NI00252	sleeve	φ4*20mm	
-0003	NI00267	sleeve	φ6*18mm	
-0004	NI00171	rubber stopper	φ9*φ20*10mm black_V1.0	
-0005	NI00218	cable tie	ALT-102SB	
-0006	NI03205	protective cover	0.5*44*15_V1.0	
-0007	NC00424	washer	1.6*φ11.3*φ15.4 T0661-WA11.1-R red	
-0008	MF00039	washer	φ5*φ8*1.2T_V 1.2	
-0009	MF00038	washer-RS	φ4*φ7*1t	
-0010	MF00048	washer-RS	φ4*φ8*0.5t	
-0011	ME00016	color nut	4m/m	
-0012	MH01859	separating shade	TUBE RETAINER2-1(BELTON)	
-0013	MG00566	screw	M3*10*0.5PH_V1.0	
-0014	MG00477	nut	6mm	
-0015	MG00269	screw-RS	M3*6	
-0016	HI00022	power switch-RS	4p black frame red key	
-0017	HD00009	glass tube fuse	1.6A 250V φ5.2*20mm CSA/S/UL/VDE	
-0018	HD00063	vacuum tube	12AX7WA	
-0019	HC00008	AC socket	3515 A TYPE(RF-2004-C-4.8)	
-0020	HA01138	signle terminal wiring CF:W08	170 red	
-0021	HA00587	wire	70mm yellow L5R5	
-0022	HA00436	wire	150mm blue L5R5	
-0023	HA03943	signle terminal wiring	120mm UL1015 18AWG	
-0024	HA03752	wire-RS	200mm UL1015 18AWG blue	
-0025	HA03751	wire-RS	200mm UL1015 18AWG plam	
-0026	HA02324	signle terminal wiring	160mm UL1015 18AWG black	
-0027	HA02382	wire-RS	55mm black L5R5	
-0028	HA04142	wire	100mm UL1015 18AWG green roll yellow	
-0029	NI04105	hole stopper	GA-20 φ16*φ27*10 black	
-0030	MG00042	screw	M3*10	
-0031	HD00137	vacuum tube-RS	EL84	
-0032	MG00846	iron pillar-RS	M3*10*0.5PH 15mm_V1.0	
-0033	MF00189	washer-RS	φ12*φ7.2*0.4	
-0034	ME00303	copper nut-RS	φ10*φ7*2.5	
-0035	ME00304	copper nut-RS	9.3*φ6.42*φ9.35 T-0664-N	
-0036	NI05689	knob-RS-CT	φ25.4*15_V1.0	
-0037	TF00125	Output Transformer-RS	OT-JC20	
-0038	HA05417	wire-RS	300mm grey LG5RG5	

Rank	Part No	Description	Specification	Insert Location
0039	HK13508	PC board-RS	P-JCA-SW	
0001	HB03159	PCB-RS	JCA-SW(1*5)_VER110809	
0002	HI00345	slide switch-RS	L21-22A2 10A/250V	SW1
0003	AC00603	lead free soldering bar	S100	
0040	HI00455	power switch-RS	4P 16A R595KFIT2FA	
0041	HK12443	PC board-RS	P-JCA22H_OUT-DIP	
0001	AC00603	lead free soldering bar	S100	
0002	HC01135	stereo MIC jack-RS	φ6.4 S-6351-4P	J2,J3,J4,J5,J6,J7
0003	HB03201	PCB-RS	JCA22H_OUT(1*5)_VER100809	
0042	HK12442	PC board-RS	P-JCA22H_MAIN-DIP	
0001	RA01606	precise metal-oxide-film resistor-RS 1W	470Ω	R38
0002	RA00808	metal-oxide-film resistor 1W	1.8KΩ	R3,R15,R23
0003	RA01596	precise metal-oxide-film resistor-RS 1W	100 KΩ	R7,R13,R14,R24,R25,R36
0004	RA01601	precise metal-oxide-film resistor-RS 1W	10KΩ	R33,R40,R49,R50
0005	RA01884	precise metal-oxide-film resistor-RS 2W	10.0kΩ±1%	R53
0006	RA01605	precise metal-oxide-film resistor-RS 1W	15KΩ	R8,R11,R54,R29
0007	RA00062	metal-oxide-film resistor 3W	1.0KΩ RSS P type	R52
0008	RA01593	precise metal-oxide-film resistor-RS 1W	1MΩ	R1,R5,R9,R10,R18,R27,R37,R39
0009	RA01595	precise metal-oxide-film resistor-RS 1W	2.2KΩ	R4,R28,R31,R45,R46
0010	RA01886	precise metal-oxide-film resistor-RS 1W	2.2MΩ±1%	R19,R20
0011	RA01599	precise metal-oxide-film resistor-RS 1W	220KΩ	R6,R21,R43,R44
0012	RA01539	metal-oxide-film resistor-RS 3W	220KΩ P type	R51
0013	RA01882	precise metal-oxide-film resistor-RS 1W	330kΩ±1%	R22
0014	RA01847	precise metal-oxide-film resistor-RS 1W	39KΩ	R16
0015	RA01604	precise metal-oxide-film resistor-RS 1W	4.7KΩ	R30,R41
0016	RA01883	precise metal-oxide-film resistor-RS 2W	470.0Ω±1%	R47,R48
0017	RA01598	precise metal-oxide-film resistor-RS 1W	470KΩ	R12,R17,R34
0018	RA01594	precise metal-oxide-film resistor-RS 1W	47KΩ	R26,R42
0019	RA01881	precise metal-oxide-film resistor-RS 1W	68kΩ±1%	R2,R32
0020	RA01603	precise metal-oxide-film resistor-RS 1W	82KΩ	R35
0021	CA00117	ceramic capacitor-RS	0.001uF/500V Y5P	C5,C10
0022	CF00212	metal-oxide-film capacitor-RS	0.022uF/400V 10%	C2,C4,C19,C23,C9,C11,C15,C16,C17,C24
0023	CF00033	metal-film capacitor MEF	0.1uF/250V 10%	C21,C22
0024	CB00366	electrolytic capacitor-RS	10uF/450V φ13*21mm	C3,C12,C30
0025	CF00046	metal-film capacitor MEF	1.0uF/250V 10%	C1,C8,C13,C18
0026	CB00326	electrolytic capacitor-RS	22000uF/25V φ30*35mm	C29
0027	CB00415	electrolytic capacitor-RS	22uF/450V 105°C φ16*25mm	C27,C28
0028	CB00327	electrolytic capacitor-RS	22uF/100V φ8*12mm	C25
0029	CA00137	ceramic capacitor-RS	270PF/500V Y5P	C20
0030	CA00134	ceramic capacitor-RS	470PF/1000V Y5P	C6,C7,C14
0031	CB00416	electrolytic capacitor-RS	47uF/450V 105°C φ18*25mm	C26
0032	RC00381	potentiometer	A1MΩ RV16A-20-15K-A1M-3	VR1,VR2,VR3,VR6,VR7
0033	RC00502	potentiometer	B25KΩ RV16A-20-15K-B25K-3	VR4,VR8
0034	RC00501	potentiometer	B250KΩ RV16A-20-15K-B250K-3	VR5
0035	RC00591	precise metal-oxide-film resistor-RS	B50K T1502N-AI-B503-0H03	VR9
0036	SA00159	rectifier diode	1A/1000V IN4007	D1,D2,D3,D4,D5,D7
0037	SA00005	bridge rectifier	4A/400V RS405	D6
0038	HC01135	stereo MIC jack-RS	φ6.4 S-6351-4P	J1
0039	HC00890	vacuum tube holder-RS	9PIN PCB (GZC9-B)	V1,V2,V3,V4,V5,V6,V7
0040	RA00157	fixed resistor 1/4W	0Ω	JPO1
0041	HI00008	relay	RY-12W-K 12V	RLY1,RLY2
0042	AC00603	lead free soldering bar	S100	
0043	HB03200	PCB-RS	JCA22H_MAIN_VER100809	
0043	MA08801	panel-RS	JCA22H JET CITY_V1.0	
0044	TC00473	transformer-RS	PT-JCA22H_100/120/240V_50/60Hz	
0045	MH01857	separating shade	TUBE SHIELD-1(BELTON)	
0046	MG00909	screw-RS	M5*12*0.8PH	
0017	NC03051	box-RS	JCA20H 23#_V1.2	
0018	NF03556	user manual-RS	JCA22H JET CITY_V1.0	
0019	NE21047	label-RS	JCA22H_V1.1	
0020	NE21046	label-RS	JCA22H_V1.0	
0021	NB06922	carton-RS-CT	JCA22H JET CITY_V1.0	
0022	NA00270	sponge-RS	ASHDOWN 140*140*140mm_V1.0	
0023	NA00706	silk wadding-RS	TPS218NEO-SUB_V1.0	

JAPAN

Rank	Part No	Description	Specification	Insert Location
PI02570		AMPLIFIER	JCA22H_JET CITY_100V_CHINA	
┆0001	MG00063	screw	M3*12	
┆0002	MG00384	screw	M5*18.5*0.8PH	
┆0003	MG00489	screw	M3*20	
┆0004	MG00511	screw-RS	M4*37_V1.1	
┆0005	MG00670	SCREW-RS	M6*40	
┆0006	MF00155	washer-RS	φ18*φ6.5*0.8t	
┆0007	NE12595	lable	ASHDOWN 100V_V1.0	
┆0008	NA00875	PE bag-RS	0.05t*820*540mm_V1.0	
┆0009	NA00858	PE bag-RS	0.04t*240*160mm_V1.0	
┆0010	NI05676	label-RS-CT-ABS	JC-20 6.35*φ104.43_V1.0	
┆0011	MD01431	iron net-RS	93*389 PH=25*12_V1.1	
┆0012	NE19827	label-RS	JET CITY SERIES_V1.0	
┆0013	NA01048	silk wadding-RS-CT	JCA100H_V1.0	
┆0014	HK12252	faceplate	FOOTSWITCH_JET CITY_JCA50H	
┆0001	RA00805	fixed resistor 1/4W	68KΩ	
┆0002	SA00379	L.E.D-RS	φ3 blue(TY-30BL5TM70-250)	
┆0003	NI00559	bushing	5P-4	
┆0004	NI02952	lamp cover	LC3-1 φ3 LED	
┆0005	MG00025	screw-RS	M3*6	
┆0006	HI00295	foot-switch-RS-C	01-690C	
┆0007	HC00038	MIC plug	φ6.3(metal)	
┆0008	HA01710	MIC wire-RS	φ6*1C*20/0.12+30/0.12*15FT	
┆0009	ND00619	EV foam	2.0t*70*105 black_V1.0	
┆0010	NA00860	PE bag-RS	0.04t*280*220mm_V1.0	
┆0011	NB06512	inner case-RS-CT	JCA100H_V1.0	
┆0012	MA08125	panel-RS	JCA-100H JET CIYT_V1.2	
┆0013	MB04441	chassis	ABM SINGLE 1.6t*45*110*83.5_V1.3	
┆0015	HK13064	faceplate	JCA22H_JET CITY_100V	
┆0001	NI03489	plastic washer	2.6*φ15.7*φ9.8 T-664-D01	
┆0002	NI00252	sleeve	φ4*20mm	
┆0003	NI00267	sleeve	φ6*18mm	
┆0004	NI00171	rubber stopper	φ9*φ20*10mm black_V1.0	
┆0005	NI00218	cable tie	ALT-102SB	
┆0006	NI05968	protective cover-RS	0.5t*44*15mm PP-BK15 black_V1.1	
┆0007	NC00424	washer	1.6*φ11.3*φ15.4 T0661-WA11.1-R red	
┆0008	MF00039	washer	φ5*φ8*1.2T_V 1.2	
┆0009	MF00038	washer-RS	φ4*φ7*1t	
┆0010	MF00048	washer-RS	φ4*φ8*0.5t	
┆0011	ME00016	color nut	4m/m	
┆0012	MH01859	separating shade	TUBE RETAINER2-1(BELTON)	
┆0013	MG00566	screw	M3*10*0.5PH_V1.0	
┆0014	MG00599	screw	M5*6*0.8PH_V1.1	
┆0015	MG00477	nut	6mm	
┆0016	MG00269	screw-RS	M3*6	
┆0017	HI00022	power switch-RS	4p black frame red key	
┆0018	HD00104	glass tube fuse-RS	3.15A 250V φ5.2*20mm CSA/UL/PSE	
┆0019	HD00063	vacuum tube	12AX7WA	
┆0020	HC00008	AC socket	3515 A TYPE(RF-2004-C-4.8)	
┆0021	HA01138	signle terminal wiring CF:W08	170 red	

Rank	Part No	Description	Specification	Insert Location
0022	HA00587	wire	70mm yellow L5R5	
0023	HA00436	wire	150mm blue L5R5	
0024	HA03943	single terminal wiring	120mm UL1015 18AWG	
0025	HA03752	wire-RS	200mm UL1015 18AWG blue	
0026	HA03751	wire-RS	200mm UL1015 18AWG plum	
0027	HA02324	single terminal wiring	160mm UL1015 18AWG black	
0028	HA02382	wire-RS	55mm black L5R5	
0029	HA04142	wire	100mm UL1015 18AWG green roll yellow	
0030	NI04105	hole stopper	GA-20 ϕ 16* ϕ 27*10 black	
0031	MG00042	screw	M3*10	
0032	HD00137	vacuum tube-RS	EL84	
0033	MG00846	iron pillar-RS	M3*10*0.5PH 15mm_V1.0	
0034	MF00189	washer-RS	ϕ 12* ϕ 7.2*0.4	
0035	ME00303	copper nut-RS	ϕ 10* ϕ 7*2.5	
0036	ME00304	copper nut-RS	9.3* ϕ 6.42* ϕ 9.35 T-0664-N	
0037	NI05689	knob-RS-CT	ϕ 25.4*15_V1.0	
0038	TF00125	Output Transformer-RS	OT-JC20	
0039	HA05417	wire-RS	300mm grey LG5RG5	
0040	HK13508	PC board-RS	P-JCA-SW	
0001	HB03159	PCB-RS	JCA-SW(1*5)_VER110809	
0002	HI00345	slide switch-RS	L21-22A2 10A/250V	SW1
0003	AC00603	lead free soldering bar	S100	
0041	HI00455	power switch-RS	4P 16A R595KFIT2FA	
0042	HK12443	PC board-RS	P-JCA22H_OUT-DIP	
0001	AC00603	lead free soldering bar	S100	
0002	HC01135	stereo MIC jack-RS	ϕ 6.4 S-6351-4P	J2,J3,J4,J5,J6,J7
0003	HB03201	PCB-RS	JCA22H_OUT(1*5)_VER100809	
0043	HK12442	PC board-RS	P-JCA22H_MAIN-DIP	
0001	RA01606	precise metal-oxide-film resistor-RS 1W	470 Ω	R38
0002	RA00808	metal-oxide-film resistor 1W	1.8K Ω	R3,R15,R23
0003	RA01596	precise metal-oxide-film resistor-RS 1W	100 K Ω	R7,R13,R14,R24,R25,R36
0004	RA01601	precise metal-oxide-film resistor-RS 1W	10K Ω	R33,R40,R49,R50
0005	RA01884	precise metal-oxide-film resistor-RS 2W	10.0k Ω \pm 1%	R53
0006	RA01605	precise metal-oxide-film resistor-RS 1W	15K Ω	R8,R11,R54,R29
0007	RA00062	metal-oxide-film resistor 3W	1.0K Ω RSS P type	R52
0008	RA01593	precise metal-oxide-film resistor-RS 1W	1M Ω	R1,R5,R9,R10,R18,R27,R37,R39
0009	RA01595	precise metal-oxide-film resistor-RS 1W	2.2K Ω	R4,R28,R31,R45,R46
0010	RA01886	precise metal-oxide-film resistor-RS 1W	2.2M Ω \pm 1%	R19,R20
0011	RA01599	precise metal-oxide-film resistor-RS 1W	220K Ω	R6,R21,R43,R44
0012	RA01539	metal-oxide-film resistor-RS 3W	220K Ω P type	R51
0013	RA01882	precise metal-oxide-film resistor-RS 1W	330k Ω \pm 1%	R22
0014	RA01847	precise metal-oxide-film resistor-RS 1W	39K Ω	R16
0015	RA01604	precise metal-oxide-film resistor-RS 1W	4.7K Ω	R30,R41
0016	RA01883	precise metal-oxide-film resistor-RS 2W	470.0 Ω \pm 1%	R47,R48
0017	RA01598	precise metal-oxide-film resistor-RS 1W	470K Ω	R12,R17,R34
0018	RA01594	precise metal-oxide-film resistor-RS 1W	47K Ω	R26,R42
0019	RA01881	precise metal-oxide-film resistor-RS 1W	68k Ω \pm 1%	R2,R32
0020	RA01603	precise metal-oxide-film resistor-RS 1W	82K Ω	R35
0021	CA00117	ceramic capacitor-RS	0.001 μ F/500V Y5P	C5,C10
0022	CF00212	metal-oxide-film capacitor-RS	0.022 μ F/400V 10%	C2,C4,C19,C23,C9,C11,C15,C16,C17,C24

Rank	Part No	Description	Specification	Insert Location
0023	CF00033	metal-film capacitor-MEF	0.1uF/250V 10%	C21,C22
0024	CB00366	electrolytic capacitor-RS	10uF/450V φ13*21mm	C3,C12,C30
0025	CF00046	metal-film capacitor-MEF	1.0uF/250V 10%	C1,C8,C13,C18
0026	CB00326	electrolytic capacitor-RS	22000uF/25V ψ30*35mm	C29
0027	CB00415	electrolytic capacitor-RS	22uF/450V 105°C φ16*25mm	C27,C28
0028	CB00327	electrolytic capacitor-RS	22uF/100V φ8*12mm	C25
0029	CA00137	ceramic capacitor-RS	270PF/500V Y5P	C20
0030	CA00134	ceramic capacitor-RS	470PF/1000V Y5P	C6,C7,C14
0031	CB00416	electrolytic capacitor-RS	47uF/450V 105°C φ18*25mm	C26
0032	RC00381	potentiometer	A1MΩ RV16A-20-15K-A1M-3	VR1,VR2,VR3,VR6,VR7
0033	RC00502	potentiometer	B25KΩ RV16A-20-15K-B25K-3	VR4,VR8
0034	RC00501	potentiometer	B250KΩ RV16A-20-15K-B250K-3	VR5
0035	RC00591	precise metal-oxide-film resistor-RS	B50K T1502N-AI-B503-0H03	VR9
0036	SA00159	rectifier diode	1A/1000V IN4007	D1,D2,D3,D4,D5,D7
0037	SA00005	bridge rectifier	4A/400V RS405	D6
0038	HC01135	stereo MIC jack-RS	φ6.4 S-6351-4P	J1
0039	HC00890	vacuum tube holder-RS	9PIN PCB (GZC9-B)	V1,V2,V3,V4,V5,V6,V7
0040	RA00157	fixed resistor 1/4W	0Ω	JPO1
0041	HI00008	relay	RY-12W-K 12V	RLY1,RLY2
0042	AC00603	lead free soldering bar	S100	
0043	HB03200	PCB-RS	JCA22H_MAIN_VER100809	
0044	MA08801	panel-RS	JCA22H JET CITY_V1.0	
0045	TC00473	transformer-RS	PT-JCA22H_100/120/240V_50/60Hz	
0046	MH01857	separating shade	TUBE SHIELD-1(BELTON)	
0016	NC03051	box-RS	JCA20H 23#_V1.2	
0017	NF03556	user manual-RS	JCA22H JET CITY_V1.0	
0018	NE21047	label-RS	JCA22H_V1.1	
0019	NE21046	label-RS	JCA22H_V1.0	
0020	NB06922	carton-RS-CT	JCA22H JET CITY_V1.0	
0021	NA00270	sponge-RS	ASHDOWN 140*140*140mm_V1.0	
0022	NA00706	silk wadding-RS	TPS218NEO-SUB_V1.0	
0023	NE20507	label-RS	JCA_V1.0	
0024	HA04366	wire-RS	LF-821+0.75*3C(VCTF)1.89M+LF-501	