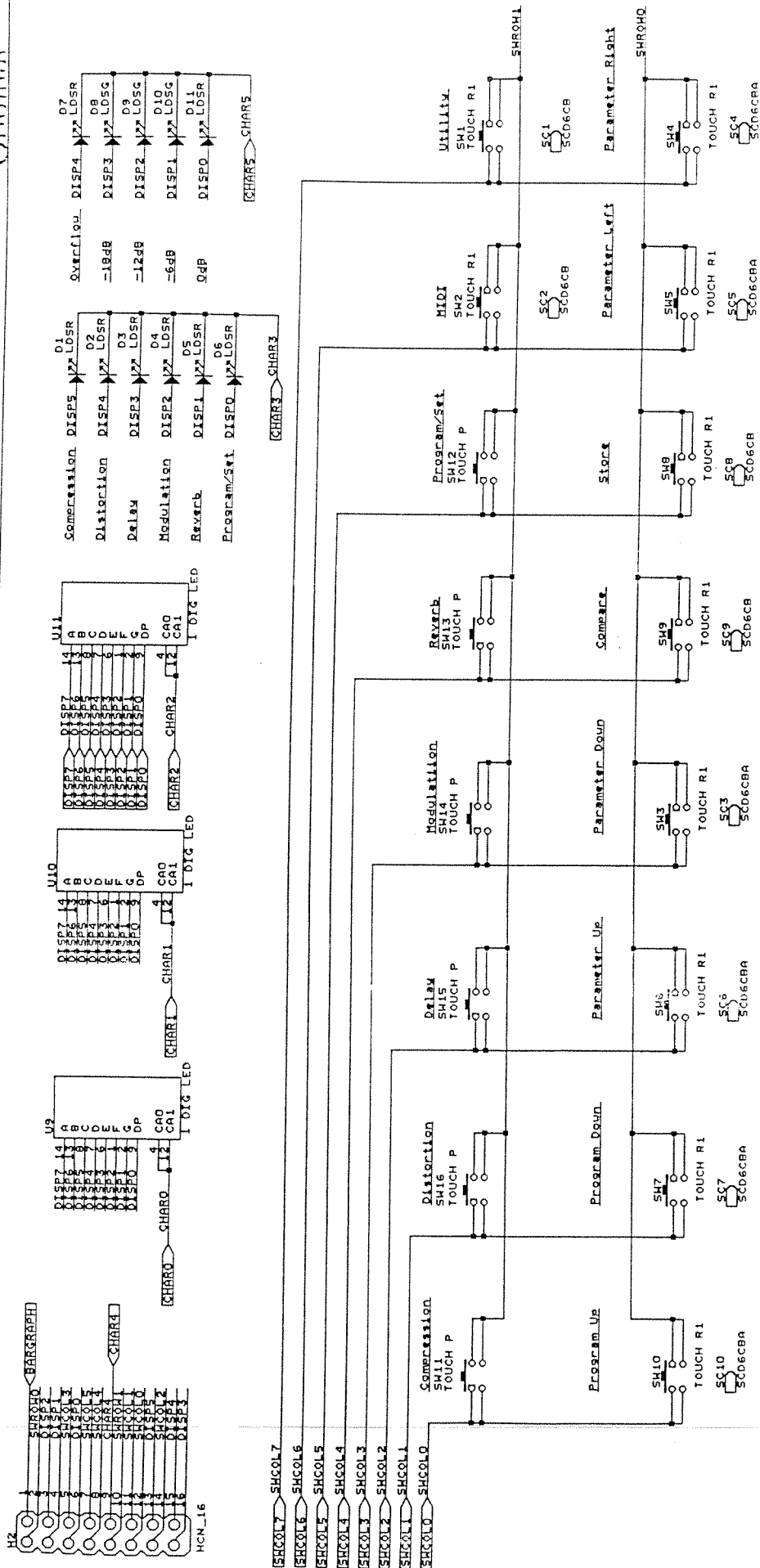


ILINK  
RP11C002.SCH

Digitelch 8760 South Sandy Parkway Sandy, Utah 84070	
Title	RP-1 TOP BOARD (LCD, HEADROOM)
Size	Document Number
B	8050280 RP11C001.SCH
Date:	April 19, 1993
REV	CO



NOT USED  
R27-R31  
R35-R44  
U7, U8

LAST REF  
C1  
D11  
D6  
R54  
SW16  
U11  
P1

Digitech 8760 South Sandy Parkway Sandy, Utah 84070	
Title	RP-1 TOP BOARD (SWITCHES, LEDS)
Size	805028CO RP1TC002.SCH
Document Number	B
Date	April 15, 1993 Sheet 2 of 2

RP-1 TOP BOARD (LCD, HEADROOM)

Revised: April 19, 1993

805028C0 RP1TC001.SCH

Revision: C0

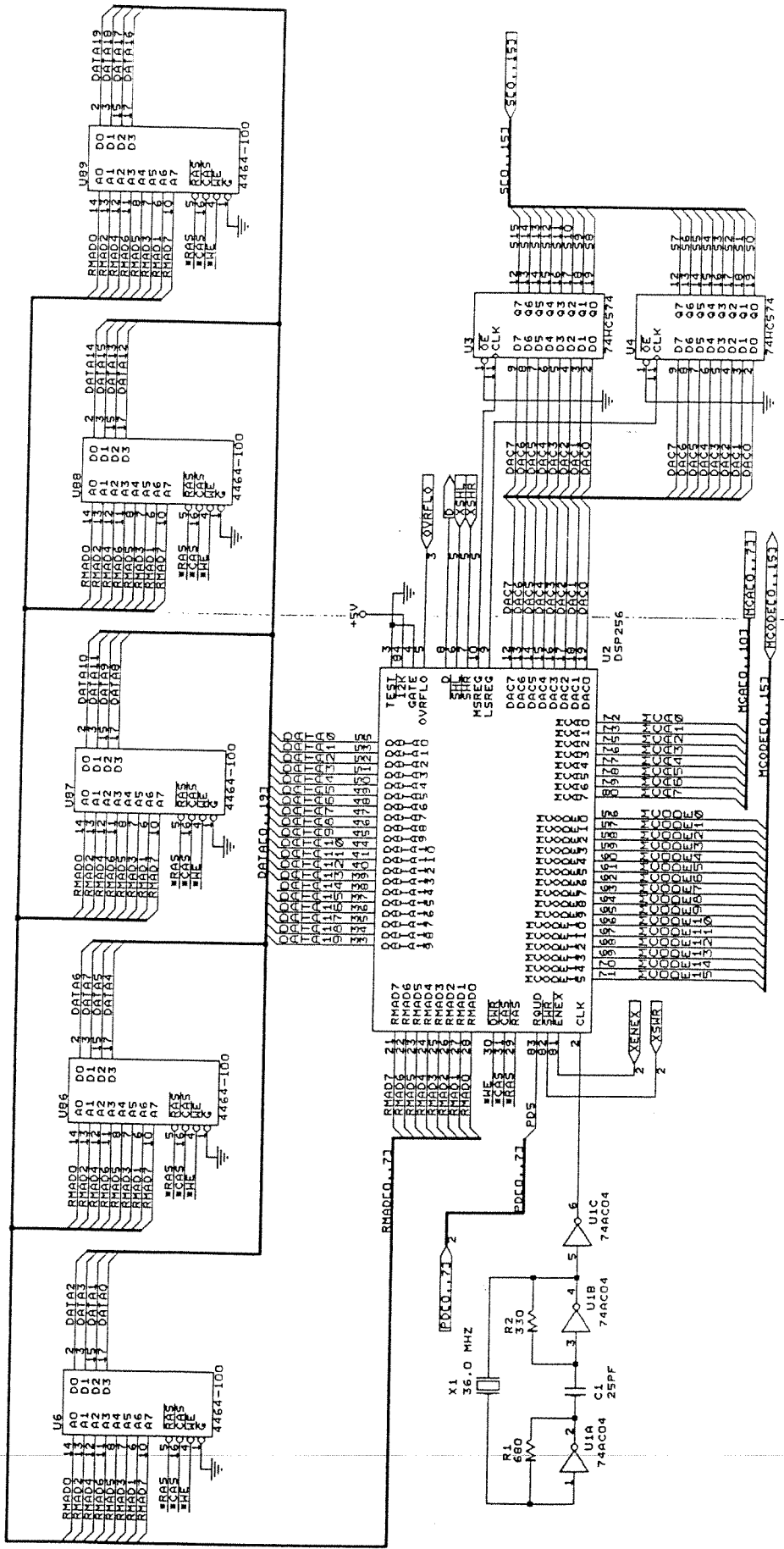
Bill Of Materials

April 20, 1993 16:29:48

Quan Reference Part SYMAN Description

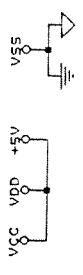
Engineering  
Original

Quan	Reference	Part	SYMAN	Description
1	C1	10U	60-0049-01	10.0 uF Capacitor -20%,+80% 16V Electrolytic
8	D1,D2,D3,D4,D5,D6,D7,D11	LDSR	70-2061	Red Light Emitting Diode, T1 Case
3	D8,D9,D10	LDSG	70-2062	Green Light Emitting Diode, T1 Case
2	H1,H2	HCN_16	32-1175	16 Pin Hdr Conn, 8 x 2, 0.1" spacing, 0.025" pins
1	H3	HDR_16	32-1061	16 Pin Hdr, 8x2, 0.1" spacing, 0.025" pins, .375 tall
1	P1	TP10K H	42-0211	10 K Trim Pot, Horizontal Mount, 3/4 turn
6	Q1,Q2,Q3,Q4,Q5,Q6	2N4124	70-1009	2N4124 NPN Gen. Purp. Amplifier/Switching Transistor
15	R1,R13,R14,R15,R16,R17, R32,R33,R34,R45,R46,R47, R48,R49,R50	10K	50-0020	10 KOhm Resistor 5% 1/4 Watt Carbon Film
1	R2	4.7K	50-0015	4.7 KOhm Resistor 5% 1/4 Watt Carbon Film
1	R3	3.3K	50-0014	3.3 KOhm Resistor 5% 1/4 Watt Carbon Film
3	R4,R5,R6	2K	50-0013	2 KOhm Resistor 5% 1/4 Watt Carbon Film
1	R7	1K	50-0012	1 KOhm Resistor 5% 1/4 Watt Carbon Film
1	R8	330	50-0005	330 Ohm Resistor 5% 1/4 Watt Carbon Film
4	R9,R10,R11,R12	47K	50-0030	47 KOhm Resistor 5% 1/4 Watt Carbon Film
8	R18,R19,R20,R21,R22,R23, R24,R25	200	50-0004	200 Ohm Resistor 5% 1/4 Watt Carbon Film
1	R26	10	50-0001	10 Ohm Resistor 5% 1/4 Watt Carbon Film
4	R51,R52,R53,R54	4.99K 1%	52-0165-01	4.99 KOhm Resistor 1% 1/4 Watt Metal Film
4	SC1,SC2,SC8,SC9	SCD6CB	44-0039	Black Switch Cap, Smooth, WO/Arrow for "Touch R1"
6	SC3,SC4,SC5,SC6,SC7,SC10	SCD6CBA	44-0040	Black Switch Cap, Smooth, W/Arrow for "Touch R1"
10	SW1,SW2,SW3,SW4,SW5,SW6, SW7,SW8,SW9,SW10	TOUCH R1	44-0038	Momentary Push Switch
6	SW11,SW12,SW13,SW14,SW15, SW16	TOUCH P	44-0032	Lite Touch Switch For FX/PDS
1	TP1	TESTP	-----	This is not a part.
3	U1,U4,U6	74HC574	72-1112	Octal D-Type Pos. Edge Triggered Flip-Flops
1	U2	LM324	72-4028	Low Power Quad Operational Amplifier
1	U3	74HC244A	72-1107	Octal Buffer-Line Driver W/3-State Outputs
1	U5	LCD 16X2	70-2167	16 X 2 LCD Array
3	U9,U10,U11	1 DIG LED	70-2168	1-Digit Light Emitting Diode

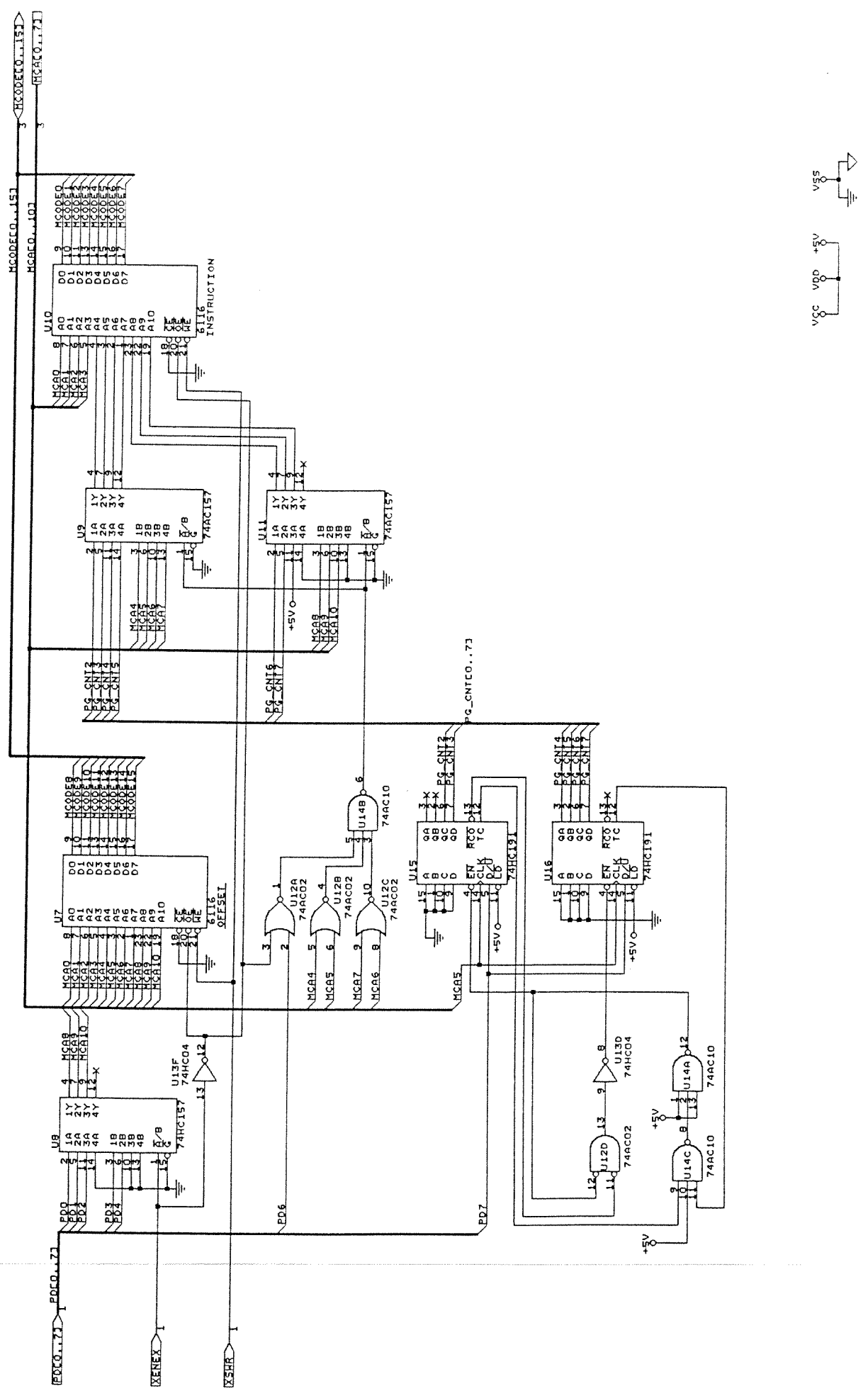


HS1	HS2	BASE	HS7	I?	SR7	SR7	SR7	SR7	SR7
			HS1	TOP	INS_3T0220	SR6-32_1	SR6-32_1	SR6-32_1	SR6-32_2
									SR6-32_2
S34	S37	S39	S56	S56	S57	S58	S59		
DIP85	DIP85	DIP85	DIP85	DIP85	DIP185	DIP185	DIP185		
S7	S10	S32	S52	S52	S52	S52	S52		
DIP245	DIP245	DIP285	DIP285	DIP285	DIP295	DIP405	PLCC845		PC81
									80-5027-20

LINK  
 1055027Z0.002  
 1055027Z0.003  
 1055027Z0.004  
 1055027Z0.005  
 1055027Z0.006  
 1055027Z0.007  
 1055027Z0.008  
 1055027Z0.009  
 1055027Z0.010

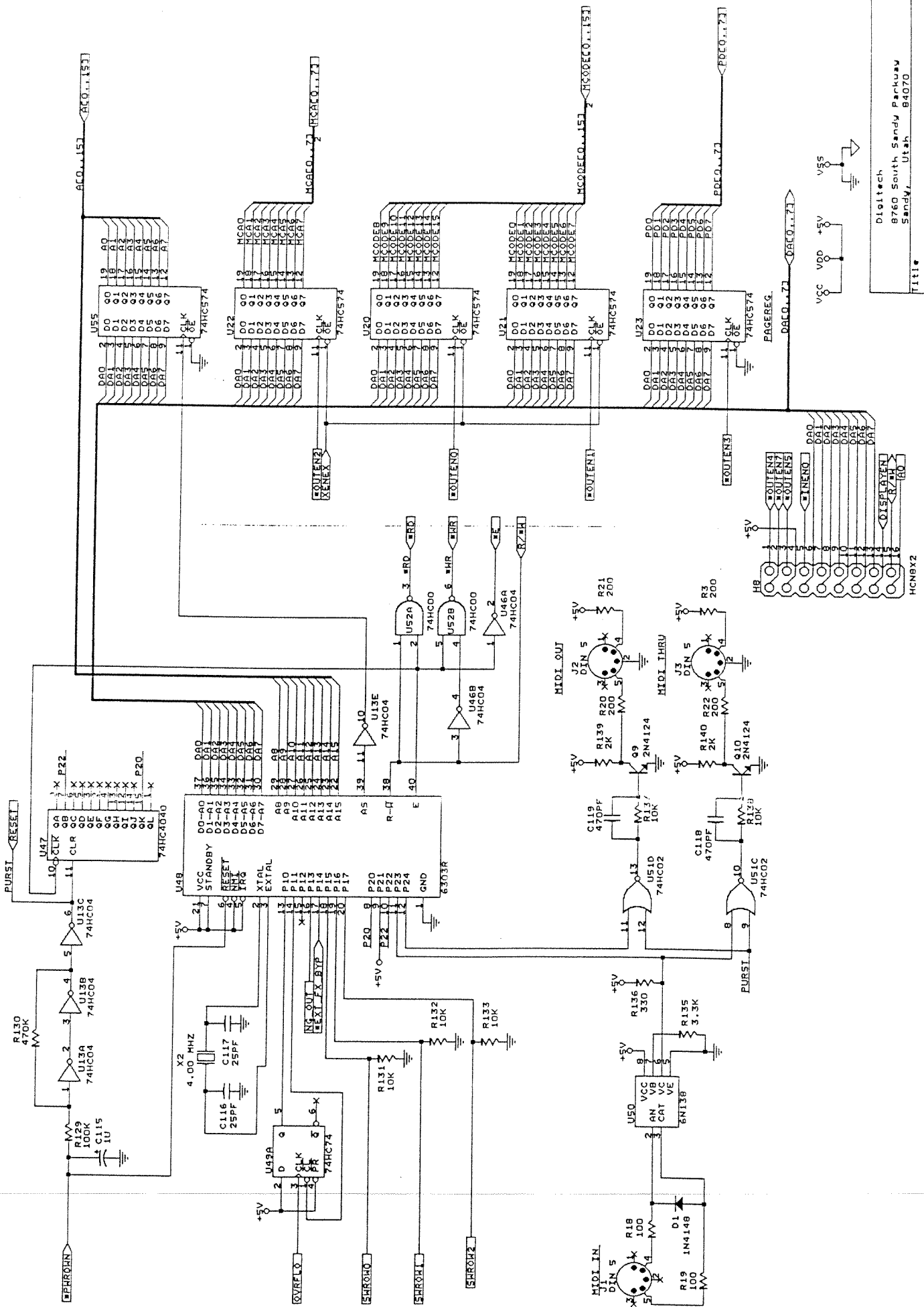


000 Electronics Inc.  
 8760 South Sandy Parkway  
 Sandy, Utah  
 Title: RP-1 MAIN BOARD (HISC SECTION)  
 Size: Document Number  
 REV: R  
 00000000



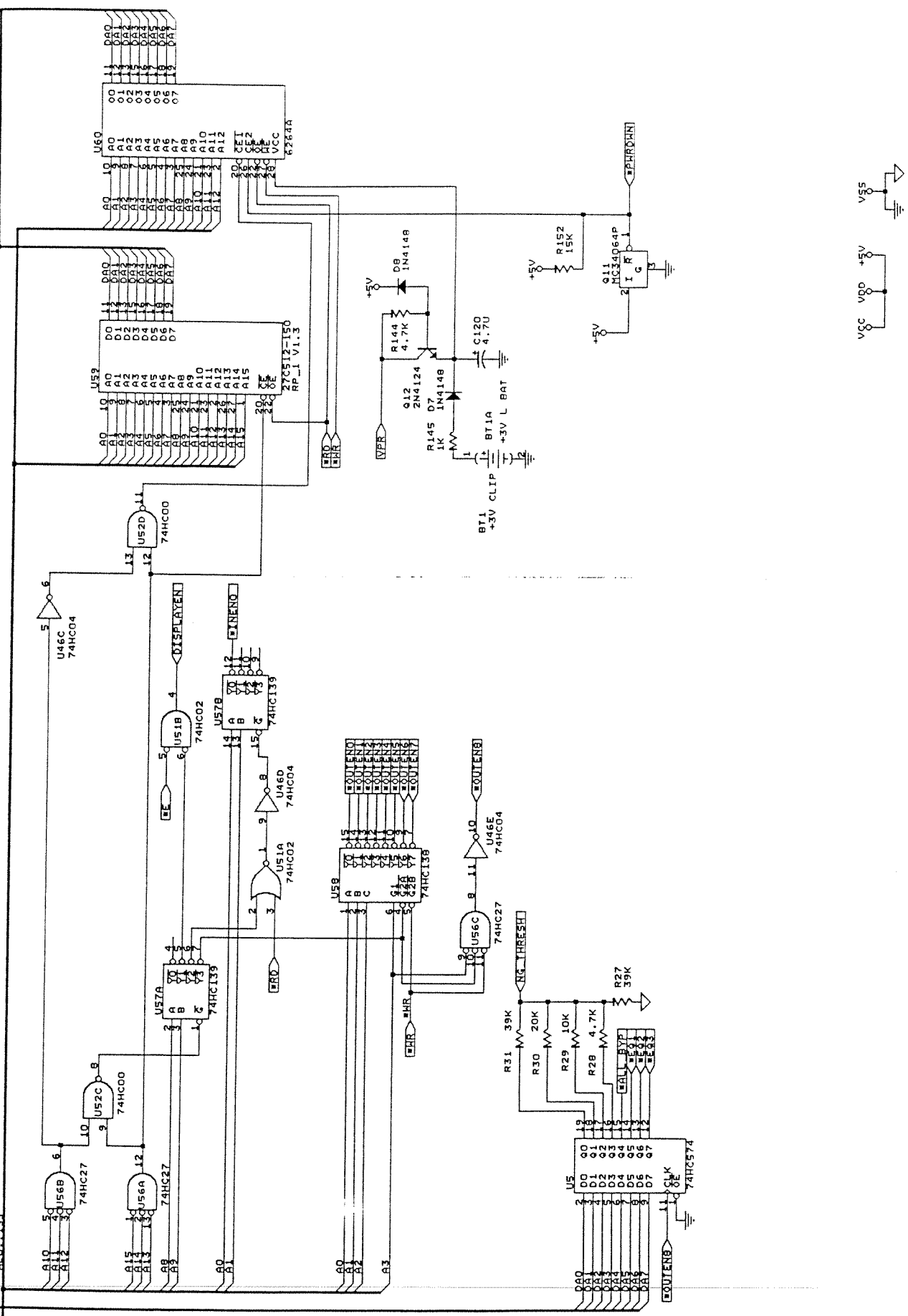
Digittech  
 8760 South Sandy Parkway  
 Sandy, Utah 84070

Title: AP-1 MAIN BOARD (UPDATE AND INST. REC)  
 Size: Document Number B  
 Part: 055027Z0.002  
 REV Z0



DigiTech  
 8760 South Sandy Parkway  
 Sandy, Utah 84070  
 Title: RP-1 MAIN BOARD (PROCESSOR, MIDI)  
 Size: Document Number 05502720.003  
 REV 70

DCO...71  
ECO...157



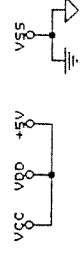
Disltech  
8760 South Sandy Parkway  
Sandy, Utah 84070

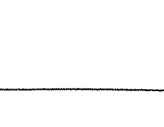
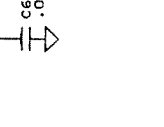
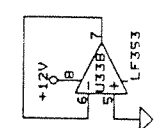
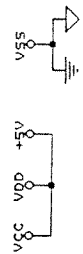
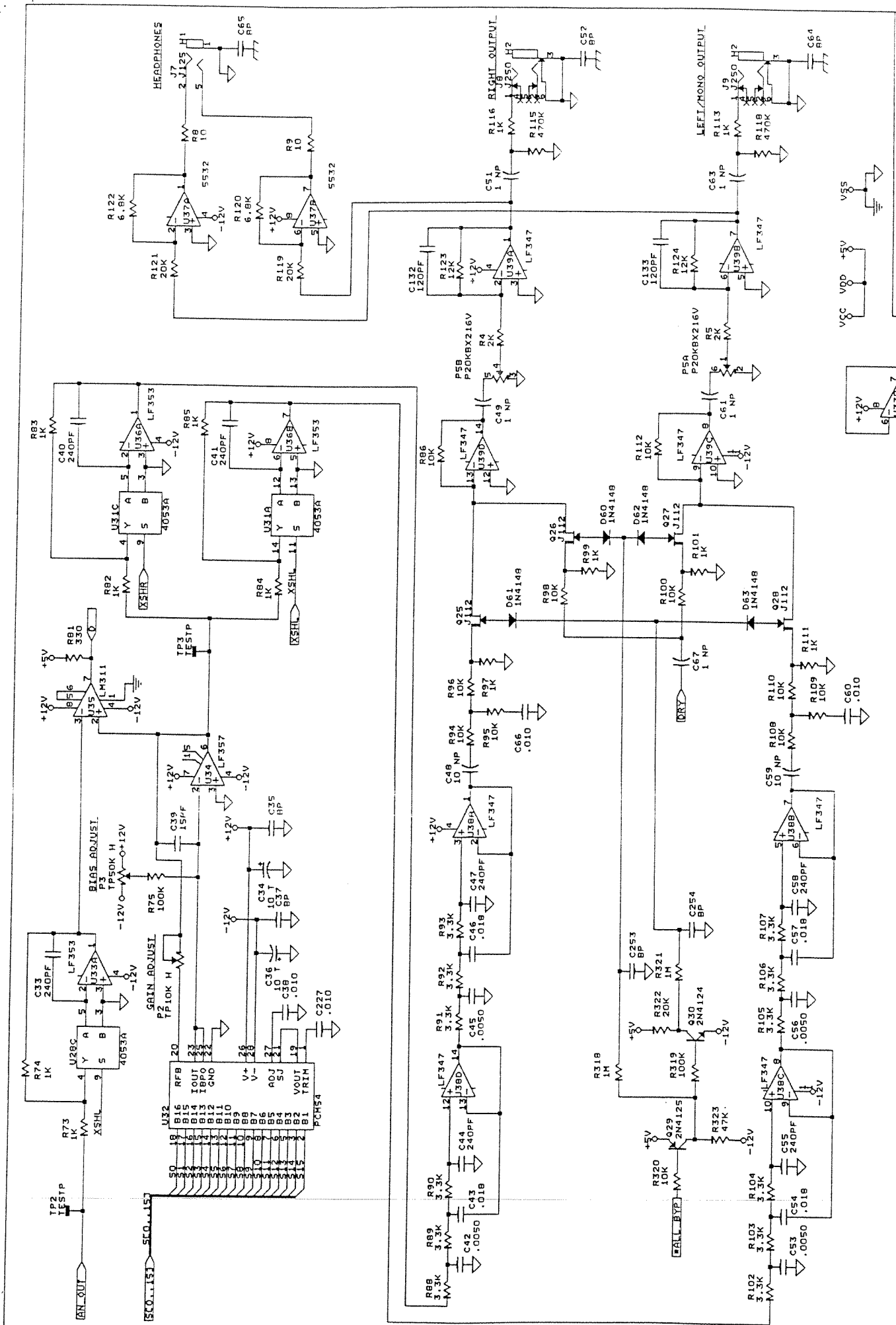
Title  
RP-1 MAIN BOARD (EPROM, SRAM, DECODE)

Size  
B

Document Number  
0550270.004

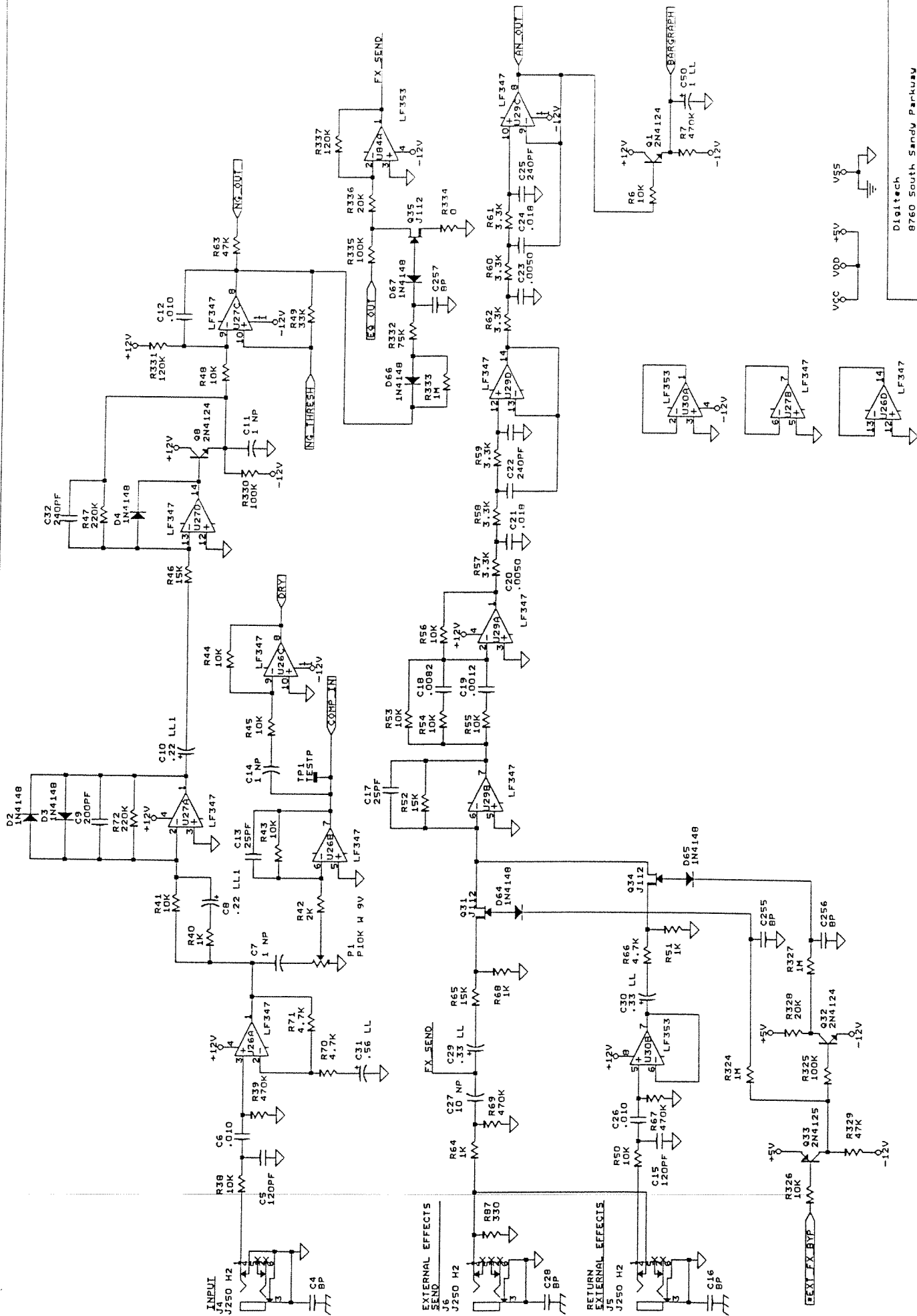
Date: February 22, 1988 Sheet 1 of 10



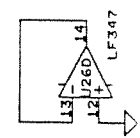
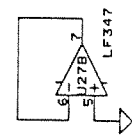
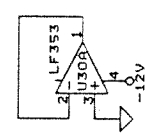
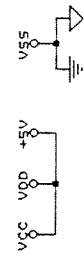


DOD Electronics Inc.  
 8760 South Sandy Parkway  
 Sandy, Utah 84070  
 Title: RP-1 MAIN BOARD (A/D/A, OUTPUT)  
 Size: Document Number: 05502770.nms  
 REV: 170

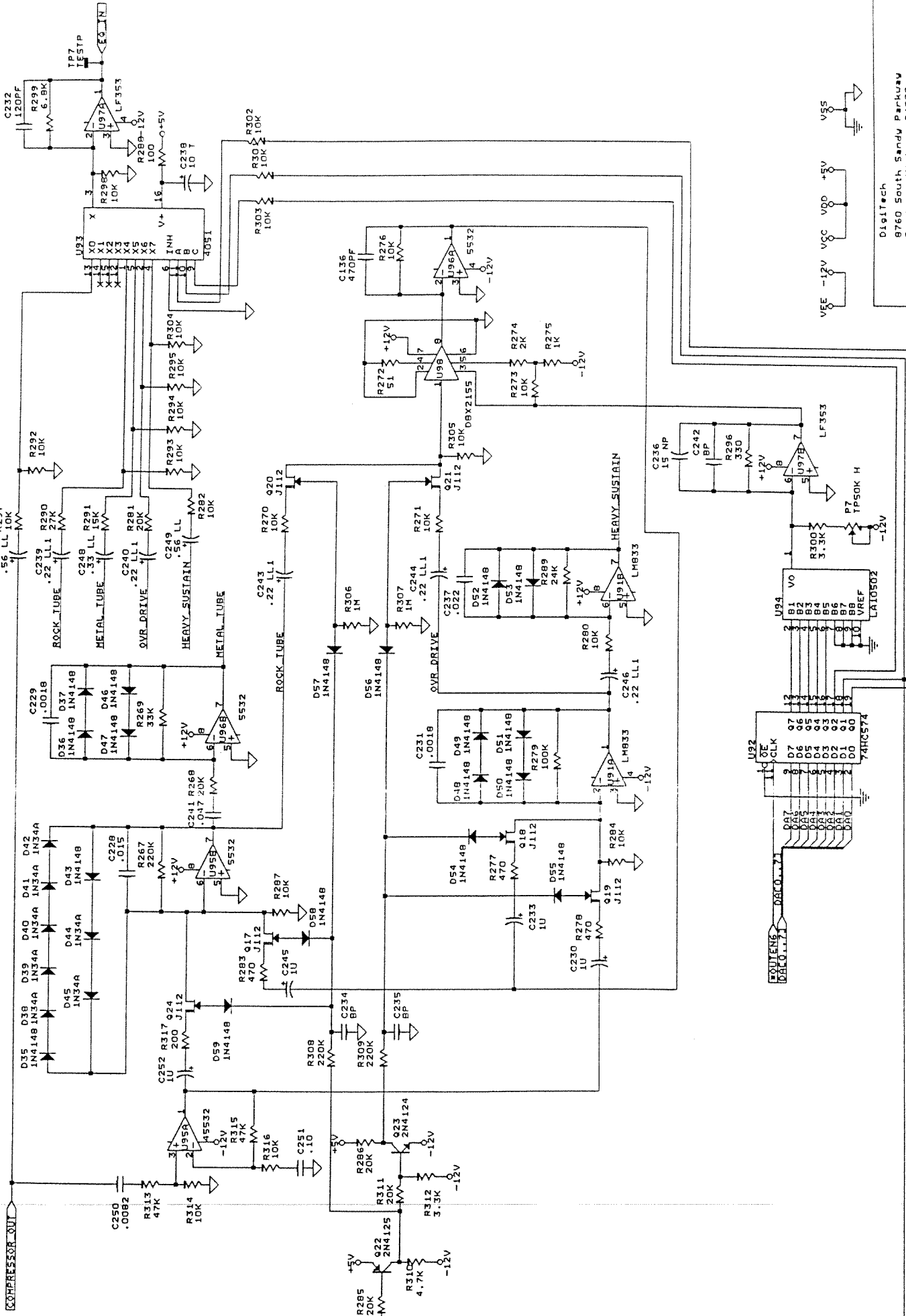




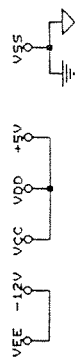
Disltech  
 8760 South Sandy Parkway  
 Sandy, Utah 84070  
 Title  
 RP-1 MAIN BOARD (INPUT, GATE, FX LOOP)  
 Size Document Number  
 B 05502720.006  
 Date: February 25, 1988/SL:est



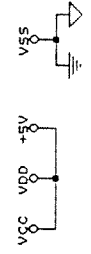
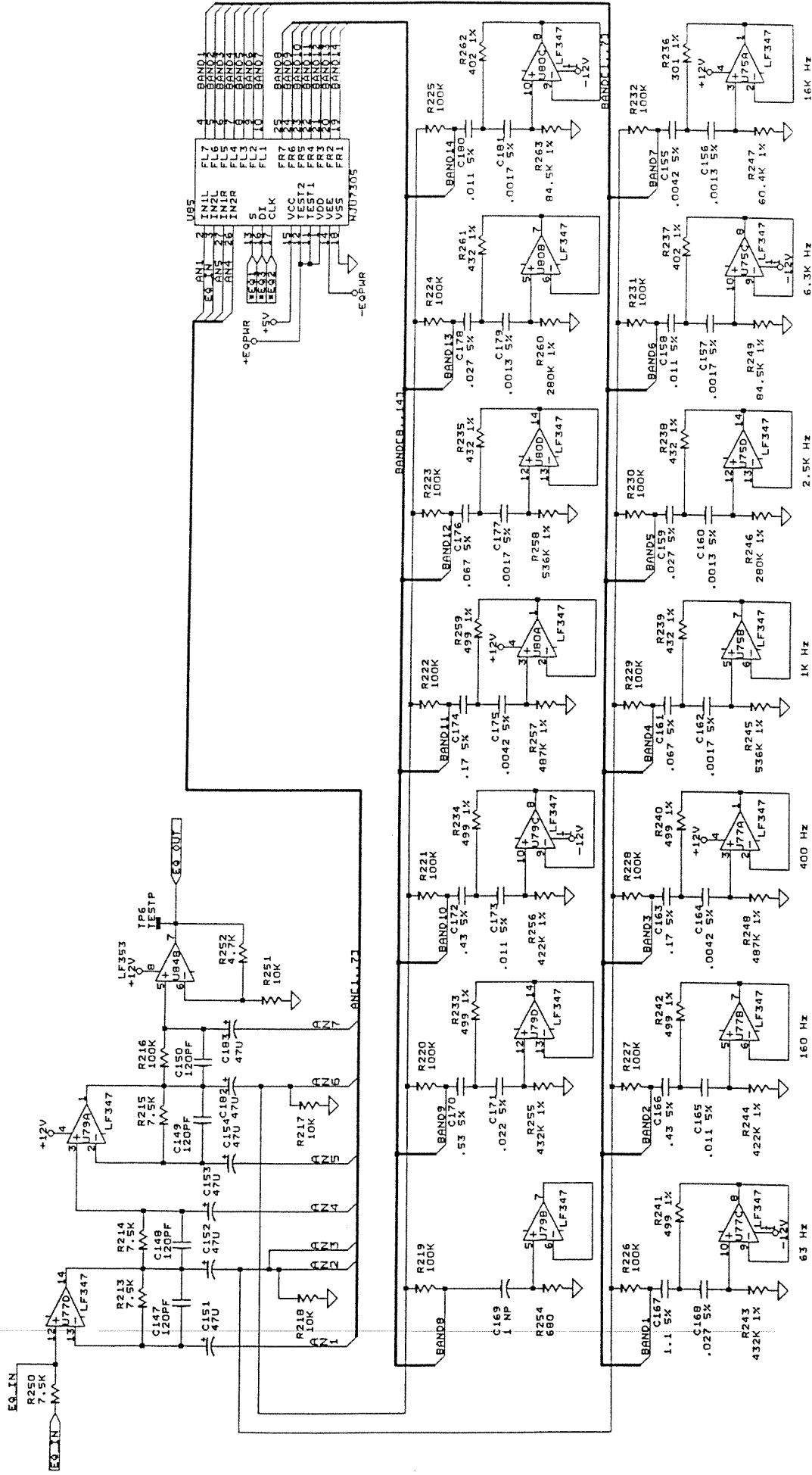
VCC VDD +5V  
 -12V  
 V55



COMPRESSOR\_OUT

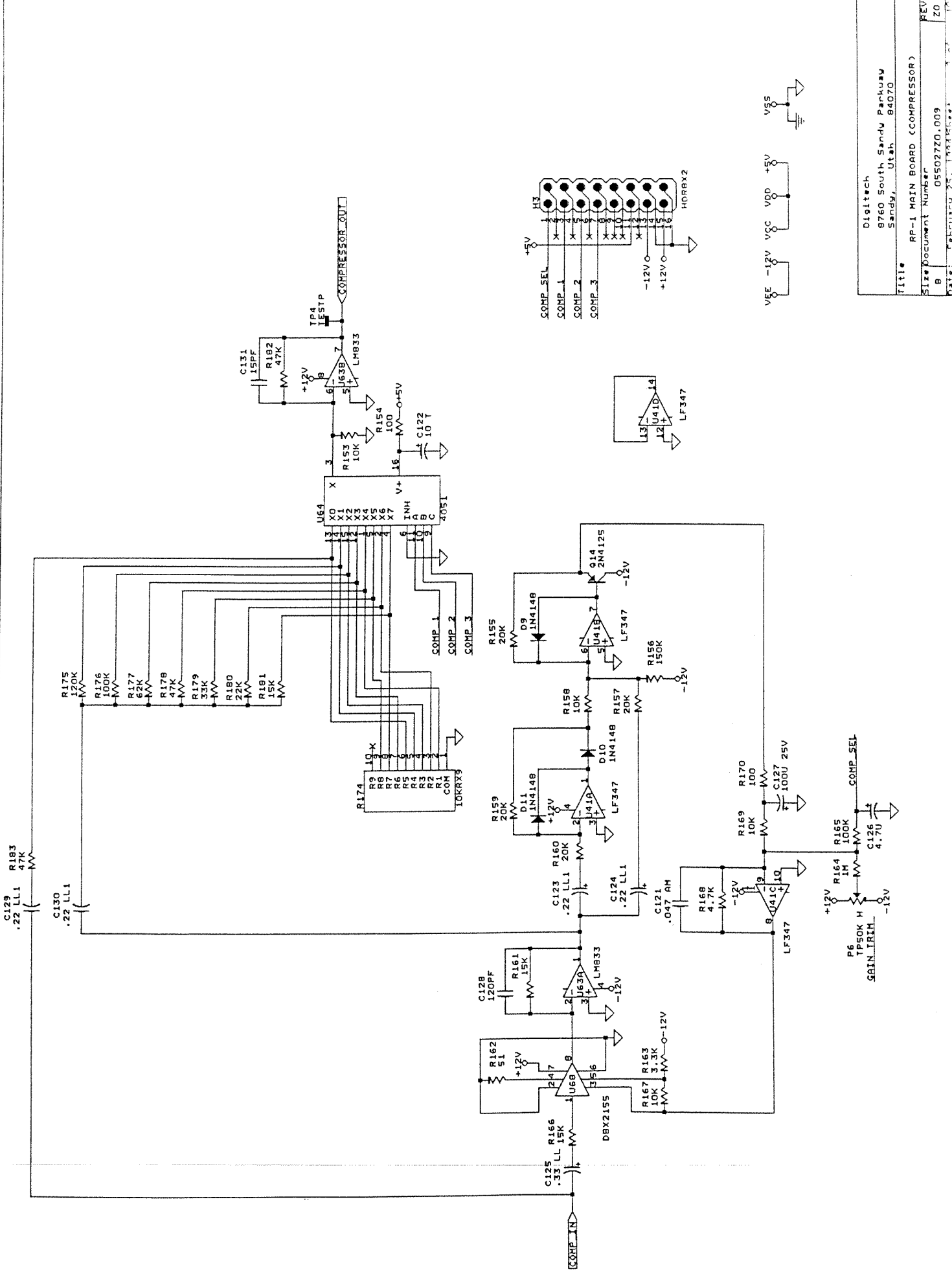


DigItTech  
 8760 South Sandy Parkway  
 Sandy, Utah 84070  
 Title: RP-1 MAIN BOARD (DISTORTION)  
 Size: Document Number: 05502720.007  
 B Z0  
 Date: February 22, 1998 Sheet 1 of 10



000 Electronics, Inc.  
 8760 South Sandy Parkway  
 Sandy, Utah 84070  
 Title: RP-1 MAIN BOARD (GRAPHIC EQ)  
 Size: Document Number: 05502720.008  
 B  
 Date: February 1984

REV  
 20  
 1K

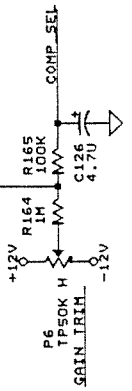
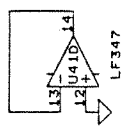
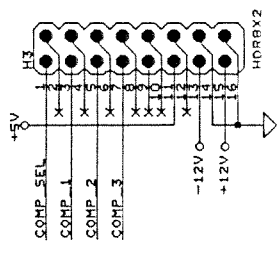
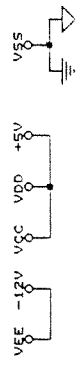


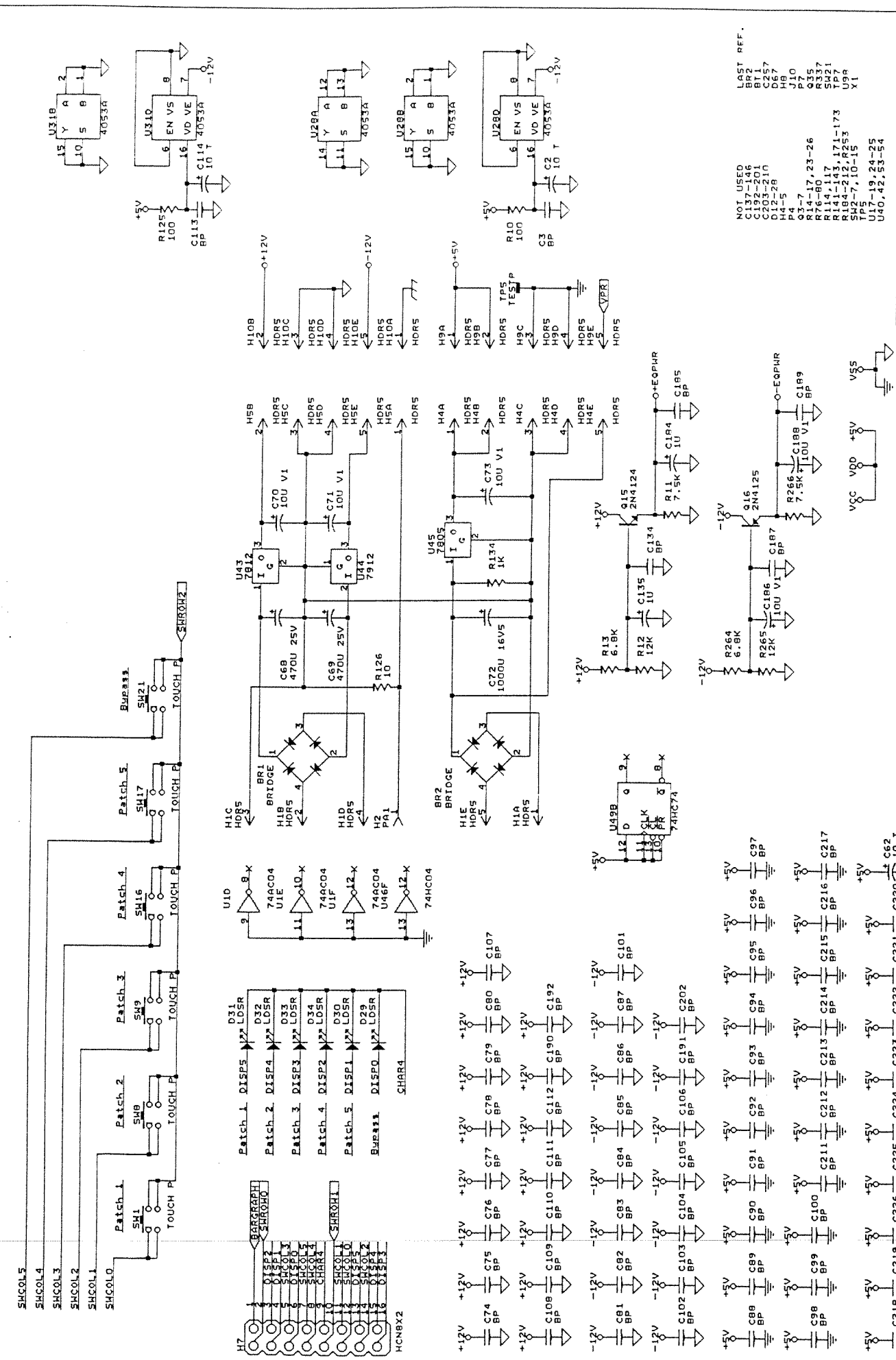
Digiteltech  
 8760 South Sandy Parkway  
 Sandy, Utah 84070

Title  
 RP-1 MAIN BOARD (COMPRESSOR)

Size/Document Number  
 B 055027Z0.009

Date: February 28, 1988





- NOT USED
- BR2
  - C137-146
  - C151
  - C202-207
  - C122-28
  - H4-5
  - P4-7
  - Q1-4
  - R14-17, 23-26
  - R76-80
  - R114, 117
  - R141-143, 171-173
  - R181-185, 212, 253
  - T45
  - U17-19, 24-25
  - U40, 42, 53-54
- LAST REF.
- BR2
  - BU1
  - BU7
  - BU6
  - H6
  - J10
  - Q1-4
  - R76-80
  - R337
  - SM21
  - TP7
  - U97
  - X1

01eltech  
8760 South Sandy Parkway  
Sandy, Utah 84070

Title RP-1 MAIN BOARD (POWER, SWITCHES)  
Size Document Number 05502200.010

REV 1

RP-1 MAIN BOARD (HISC SECTION)

Revised: February 25, 1994

05502720.001

Revision: Z0

Bill Of Materials

March 1, 1994 17:11:20

Quan Reference

Part

SYMAN

Description

Quan	Reference	Part	SYMAN	Description
2	BR1, BR2	BRIDGE	70-0129	Bridge Rectifier
1	BT1	+3V CLIP	24-1014	Holder For 3V Battery
1	BT1A	+3V L BAT	24-1016	3V Battery, Lithium, Eveready Part #CR2032
5	C1, C13, C17, C116, C117	25PF	62-0001	25 pF Capacitor 5% 50V Ceramic Disc
7	C2, C34, C36, C62, C114, C122, C238	10 T	62-0163	10.0 uF Capacitor 10% 16V Tantalum
81	C3, C4, C16, C28, C35, C37, C52, C64, C65, C74, C75, C76, C77, C78, C79, C80, C81, C82, C83, C84, C85, C86, C87, C88, C89, C90, C91, C92, C93, C94, C95, C96, C97, C98, C99, C100, C101, C102, C103, C104, C105, C106, C107, C108, C109, C110, C111, C112, C113, C134, C185, C187, C189, C190, C191, C192, C202, C211, C212, C213, C214, C215, C216, C217, C218, C219, C220, C221, C222, C223, C224, C225, C226, C234, C235, C242, C253, C254, C255, C256, C257	BP	62-0067	0.047 uF Capacitor 20% 50V Axial Monolithic
10	C5, C15, C128, C132, C133, C147, C148, C149, C150, C232	120PF	62-0002	120 pF Capacitor 20% 50V Ceramic Disc
7	C6, C12, C26, C38, C60, C66, C227	.010	56-2022	0.010 uF Capacitor 10% 100V Polyester Film
9	C7, C11, C14, C49, C51, C61, C63, C67, C169	1 NP	60-0046-01	1.0 uF Capacitor -20%, +80% 16V Elect., N.P.
11	C8, C10, C123, C124, C129, C130, C239, C240, C243, C244, C246	.22 LL1	60-0039-01	0.22 uF Capacitor 20% 50V Electrolytic, LL-D
1	C9	200PF	62-0009	200 pF Capacitor 20% 50V Ceramic Disc
2	C18, C250	.0082	56-2019	0.0082 uF Capacitor 10% 100V Polyester Film
1	C19	.0012	56-2009	0.0012 uF Capacitor 10% 100V Polyester Film
6	C20, C23, C42, C45, C53, C56	.0050	56-2016	0.0050 uF Capacitor 10% 100V Polyester Film
6	C21, C24, C43, C46, C54, C57	.018	56-2024	0.018 uF Capacitor 10% 100V Polyester Film
10	C22, C25, C32, C33, C40, C41, C44, C47, C55, C58	240PF	62-0010	240 pF Capacitor 20% 50V Ceramic Disc
3	C27, C48, C59	10 NP	60-0051-01	10.0 uF Capacitor -20%, +80% 16V Elect., NP
4	C29, C30, C125, C248	.33 LL	60-0061-01	0.33 uF Capacitor 20% 50V Electrolytic, LL
3	C31, C247, C249	.56 LL	60-0041-01	0.56 uF Capacitor 20% 50V Electrolytic, LL
2	C39, C131	15PF	62-0007	15 pF Capacitor 5% 50V Ceramic Disc
1	C50	1 LL	60-0045-01	1.0 uF Capacitor 20% 50V Elect., LL
2	C68, C69	470U 25V	60-0058	470.0 uF Capacitor -20%, +80% 25V Electrolytic-S
5	C70, C71, C73, C186, C188	10U V1	60-0049-01	10.0 uF Capacitor -20%, +80% 16V Electrolytic-D
1	C72	1000U 16V5	60-0064-03	1000.0 uF Capacitor -20%, +80% 16V Electrolytic, 5MM
7	C115, C135, C184, C230, C233, C245, C252	1U	60-0044-01	1.0 uF Capacitor -20%, +80% 50V Electrolytic
3	C118, C119, C136	470PF	62-0003	470 pF Capacitor 20% 50V Ceramic Disc
2	C120, C126	4.7U	60-0048-01	4.7 uF Capacitor -20%, +80% 16V Electrolytic
1	C121	.047 AM	62-0067	0.047 uF Capacitor 20% 50V Axial Monolithic
1	C127	100U 25V	60-0055	100.0 uF Capacitor -20%, +80% 25V Electrolytic-S
6	C151, C152, C153, C154, C182,	47U	60-0054-01	47.0 uF Capacitor -20%, +80% 16V Electrolytic

RP-1 MAIN BOARD (HISC SECTION)

Revised: February 25, 1994

055027Z0.001

Revision: Z0

Bill Of Materials

March 1, 1994

17:11:20

Quan Reference

Part

SYMAN

Description

Quan Reference	Part	SYMAN	Description
	C183		
3	C155,C164,C175	.0042 5%	56-1214 0.0042 uF Capacitor 5% 100V Polyester Film
3	C156,C160,C179	.0013 5%	56-1148 0.0013 uF Capacitor 5% 100V Polyester Film
4	C157,C162,C177,C181	.0017 5%	56-1211 0.0017 uF Capacitor 5% 100V Polyester Film
4	C158,C165,C173,C180	.011 5%	56-1119 0.011 uF Capacitor 5% 100V Polyester Film
3	C159,C168,C178	.027 5%	56-1219 0.027 uF Capacitor 5% 100V Polyester Film
2	C161,C176	.067 5%	56-1222 0.067 uF Capacitor 5% 100V Polyester Film
2	C163,C174	.17 5%	56-1225 0.17 uF Capacitor 5% 100V Polyester Film
2	C166,C172	.43 5%	56-1228 0.43 uF Capacitor 5% 100V Polyester Film
1	C167	1.1 5%	56-1231 1.1 uF Capacitor 5% 100V Polyester Film
1	C170	.53 5%	56-1135 0.53 uF Capacitor 5% 100V Polyester Film
1	C171	.022 5%	56-1122 0.022 uF Capacitor 5% 100V Polyester Film
1	C228	.015	56-2023 0.015 uF Capacitor 10% 100V Polyester Film
2	C229,C231	.0018	56-2011 0.0018 uF Capacitor 10% 100V Polyester Film
1	C236	15 NP	60-0053-01 15.0 uF Capacitor -20%,+80% 16V Elect., NP
1	C237	.022	56-2025 0.022 uF Capacitor 10% 100V Polyester Film
1	C241	.047	56-2028 0.047 uF Capacitor 10% 100V Polyester Film
1	C251	.10	56-2035 0.10 uF Capacitor 10% 100V Polyester Film
35	D1,D2,D3,D4,D7,D8,D9,D10, D11,D35,D36,D37,D43,D46, D47,D48,D49,D50,D51,D52, D53,D54,D55,D56,D57,D58, D59,D60,D61,D62,D63,D64, D65,D66,D67	1N4148	70-0002 1N4148 Silicon Switching Diode, 75 Volts PIV
6	D29,D30,D31,D32,D33,D34	LDSR	70-2061 Red Light Emitting Diode, T1 Case
7	D38,D39,D40,D41,D42,D44, D45	1N34A	70-0005 1N34A Germanium Diode, General Purpose
5	H1,H4,H5,H9,H10	HDR5	32-1069 5 Pin Header, 0.1" spacing, 0.025" square pins
1	H2	PA1	----- 1 Pin Pad, Not a part
1	H3	HDR8X2	32-1061 16 Pin Hdr, 8x2, 0.1" spacing, 0.025" pins, .375 tall
2	H7,H8	HCN8X2	32-1175 16 Pin Hdr Conn, 8x2, 0.1" spacing, 0.025" pins
1	HS1	HS_2 BASE	70-4203 Heatsink, 3 Regulator, U-Shape Base
1	HS1A	HS_1 TOP	70-4204 Heatsink, 3 Regulator, Top
1	I1	INS_3TO220	70-4209 Insulator, 3 Regulator Heatsink
3	J1,J2,J3	DIN 5	32-0092 5 Pin DIN Jack
5	J4,J5,J6,J8,J9	J250 H2	32-0091 1/4 Phone Jack, PCB Mount
1	J7	J125 H1	32-0094 1/8 Phone Jack, Horizontal Mount, Insulated tip
1	P1	P10K W 9V	40-2062 10 K "W" 9mm, Rot Pot, 25mm ? shaft Ver
1	P2	TP10K H	42-0211 10 K Trim Pot, Horizontal Mount, 3/4 turn
3	P3,P6,P7	TP50K H	42-0222 50 K Trim Pot, Horizontal Mount, 3/4 turn
1	P5	P20KBX216V	40-2075 20 K "B" 16mm, Rot Pot x2, 25mm D shaft
1	PCB1	80-5027-Z0	80-5027 RP-1 MAIN PCB RAW
9	Q1,Q8,Q9,Q10,Q12,Q15,Q23, Q30,Q32	2N4124	70-1009 2N4124 NPN Gen. Purp. Amplifier/Switching Transistor
1	Q11	MC34064P	70-5004 MC34064 Undervoltage Sensing Circuit
5	Q14,Q16,Q22,Q29,Q33	2N4125	70-1008 2N4125 PNP Gen. Purp. Amplifier/Switching Transistor
13	Q17,Q18,Q19,Q20,Q21,Q24, Q25,Q26,Q27,Q28,Q31,Q34, Q35	J112	70-1012 J112A JFET National
2	R1,R254	680	50-0007 680 Ohm Resistor 5% 1/4 Watt Carbon Film
5	R2,R81,R87,R136,R296	330	50-0005 330 Ohm Resistor 5% 1/4 Watt Carbon Film
5	R3,R20,R21,R22,R317	200	50-0004 200 Ohm Resistor 5% 1/4 Watt Carbon Film

RP-1 MAIN BOARD (HISC SECTION)  
055027Z0.001

Revised: February 25, 1994

Revision: Z0

Bill Of Materials

March 1, 1994 17:11:20

Quan Reference

Part SYMAN Description

Quan	Reference	Part	SYMAN	Description
6	R4,R5,R42,R139,R140,R274	2K	50-0013	2 KOhm Resistor 5% 1/4 Watt Carbon Film
58	R6,R29,R38,R41,R43,R44, R45,R48,R50,R53,R54,R55, R56,R86,R94,R95,R96,R98, R100,R108,R109,R110,R112, R131,R132,R133,R137,R138, R153,R158,R167,R169,R217, R218,R251,R270,R271,R273, R276,R280,R282,R284,R287, R292,R293,R294,R295,R297, R298,R301,R302,R303,R304, R305,R314,R316,R320,R326	10K	50-0020	10 KOhm Resistor 5% 1/4 Watt Carbon Film
7	R7,R39,R67,R69,R115,R118, R130	470K	50-0042	470 KOhm Resistor 5% 1/4 Watt Carbon Film
3	R8,R9,R126	10	50-0001	10 Ohm Resistor 5% 1/4 Watt Carbon Film
7	R10,R18,R19,R125,R154, R170,R288	100	50-0003	100 Ohm Resistor 5% 1/4 Watt Carbon Film
6	R11,R213,R214,R215,R250, R266	7.5K	50-0017	7.5 KOhm Resistor 5% 1/4 Watt Carbon Film
4	R12,R123,R124,R265	12K	50-0021	12 KOhm Resistor 5% 1/4 Watt Carbon Film
5	R13,R120,R122,R264,R299	6.8K	50-0016	6.8 KOhm Resistor 5% 1/4 Watt Carbon Film
2	R27,R31	39K	50-0029	39 KOhm Resistor 5% 1/4 Watt Carbon Film
8	R28,R66,R70,R71,R144, R168,R252,R310	4.7K	50-0015	4.7 KOhm Resistor 5% 1/4 Watt Carbon Film
15	R30,R119,R121,R155,R157, R159,R160,R268,R281,R285, R286,R311,R322,R328,R336	20K	50-0023	20 KOhm Resistor 5% 1/4 Watt Carbon Film
19	R40,R51,R64,R68,R73,R74, R82,R83,R84,R85,R97,R99, R101,R111,R113,R116,R134, R145,R275	1K	50-0012	1 KOhm Resistor 5% 1/4 Watt Carbon Film
8	R46,R52,R65,R152,R161, R166,R181,R291	15K	50-0019	15 KOhm Resistor 5% 1/4 Watt Carbon Film
5	R47,R72,R267,R308,R309	220K	50-0040	220 KOhm Resistor 5% 1/4 Watt Carbon Film
3	R49,R179,R269	33K	50-0028	33 KOhm Resistor 5% 1/4 Watt Carbon Film
22	R57,R58,R59,R60,R61,R62, R88,R89,R90,R91,R92,R93, R102,R103,R104,R105,R106, R107,R135,R163,R300,R312	3.3K	50-0014	3.3 KOhm Resistor 5% 1/4 Watt Carbon Film
8	R63,R178,R182,R183,R313, R315,R323,R329	47K	50-0030	47 KOhm Resistor 5% 1/4 Watt Carbon Film
24	R75,R129,R165,R176,R216, R219,R220,R221,R222,R223, R224,R225,R226,R227,R228, R229,R230,R231,R232,R279, R319,R325,R330,R335	100K	50-0036	100 KOhm Resistor 5% 1/4 Watt Carbon Film
1	R156	150K	50-0038	150 KOhm Resistor 5% 1/4 Watt Carbon Film
2	R162,R272	51	50-0002	51 Ohm Resistor 5% 1/4 Watt Carbon Film
8	R164,R306,R307,R318,R321, R324,R327,R333	1M	50-0045	1 MOhm Resistor 5% 1/4 Watt Carbon Film
1	R174	10KRX9	54-0355	10 Pin SIP BX-103 10K
3	R175,R331,R337	120K	50-0037	120 KOhm Resistor 5% 1/4 Watt Carbon Film



RP-1 MAIN BOARD (HISC SECTION)

Revised: February 25, 1994

055027Z0.001

Revision: Z0

Bill Of Materials

March 1, 1994 17:11:20

Quan Reference

Part SYMAN Description

Quan	Reference	Part	SYMAN	Description
1	R177	62K	50-0032	62 KOhm Resistor 5% 1/4 Watt Carbon Film
1	R180	22K	50-0025	22 KOhm Resistor 5% 1/4 Watt Carbon Film
6	R233,R234,R240,R241,R242, R259	499 1%	52-0338	499 Ohm Resistor 1% 1/4 Watt Metal Film
4	R235,R238,R239,R261	432 1%	52-0344	432 Ohm Resistor 1% 1/4 Watt Metal Film
1	R236	301 1%	52-0359	301 Ohm Resistor 1% 1/4 Watt Metal Film
2	R237,R262	402 1%	52-0347	402 Ohm Resistor 1% 1/4 Watt Metal Film
2	R243,R255	432K 1%	52-0244	432 KOhm Resistor 1% 1/4 Watt Metal Film
2	R244,R256	422K 1%	52-0245	422 KOhm Resistor 1% 1/4 Watt Metal Film
2	R245,R258	536K 1%	52-0235	536 KOhm Resistor 1% 1/4 Watt Metal Film
2	R246,R260	280K 1%	52-0262	280 KOhm Resistor 1% 1/4 Watt Metal Film
1	R247	60.4K 1%	52-0073	60.4 KOhm Resistor 1% 1/4 Watt Metal Film
2	R248,R257	487K 1%	52-0239	487 KOhm Resistor 1% 1/4 Watt Metal Film
2	R249,R263	84.5K 1%	52-0005	84.5 KOhm Resistor 1% 1/4 Watt Metal Film
3	R277,R278,R283	470	50-0006	470 Ohm Resistor 5% 1/4 Watt Carbon Film
1	R289	24K	50-0026	24 KOhm Resistor 5% 1/4 Watt Carbon Film
1	R290	27K	50-0027	27 KOhm Resistor 5% 1/4 Watt Carbon Film
1	R332	75K	50-0033	75 KOhm Resistor 5% 1/4 Watt Carbon Film
1	R334	0	50-0050	0 Ohm Resistor 5% 1/4 Watt Carbon Film
1	S2	PLCC84S	70-3163	84 PLCC Socket
5	S6,S86,S87,S88,S89	DIP18S	70-3160	18 Pin Dip Socket
2	S7,S10	DIP24S	70-3019	24 Pin Dip Socket
3	S32,S59,S60	DIP28S	70-3161	28 Pin Dip Socket
4	S34,S37,S95,S96	DIP8S	70-3020	8 Pin Dip Socket
1	S48	DIP40S	70-3162	40 Pin Dip Socket
1	S85	DIP28AS	70-3165	28 Pin Dip Socket, Skinny
2	SR1,SR2	SR6-32_1	28-0058	Screw, 6-32 x 3/8", Pozi-pan, Black
2	SR3,SR4	SR6-32_2	28-0059	Screw, 6-32 x 1/4", Pozi-pan, Black
6	SW1,SW8,SW9,SW16,SW17, SW21	TOUCH P	44-0032	Lite Touch Switch For FX/PDS
7	TP1,TP2,TP3,TP4,TP5,TP6, TP7	TESTP	-----	This is not a part.
1	U1	74AC04	72-2250	Hex Inverter
1	U2	DSP256	72-3138	HISC DSP256 Gate Array
9	U3,U4,U5,U20,U21,U22,U23, U55,U92	74HC574	72-1112	Octal D-Type Pos. Edge Triggered Flip-Flops
5	U6,U86,U87,U88,U89	4464-100	72-3149-10	64K X 4 Dynamic RAM -100ns
2	U7,U10	6116	72-3050	2K X 8 CMOS STATIC RAM
1	U8	74HC157	72-1093	4 X 2 - 1 MUX
2	U9,U11	74AC157	72-2251	4 X 2 - 1 MUX
1	U12	74AC02	72-2257	4 X 2-IN NOR
2	U13,U46	74HC04	72-1098	Hex Inverter
1	U14	74AC10	72-2258	3 X 3-IN NAND
2	U15,U16	74HC191	72-1259	UP/DOWN Counter
10	U26,U27,U29,U38,U39,U41, U75,U77,U79,U80	LF347	72-4040	LF347 Wide Bandwidth Quad JFET Input Op-Amp
2	U28,U31	4053A	72-0086	Triple 2 Pole Analog Mux
5	U30,U33,U36,U84,U97	LF353	72-4030	LF353 Wide Bandwidth Dual JFET Input Op-Amp
1	U32	PCMS4	72-3079	16-BIT DAC
1	U34	LF357	72-4041	OP-AMP 50V/US
1	U35	LM311	72-4027	LM311 Analog Voltage Comparator
3	U37,U95,U96	5532	72-4023	5532 Low Noise Dual Op-Amp

RP-1 MAIN BOARD (HISC SECTION)

Revised: February 25, 1994

05502720.001

Revision: 20

Bill Of Materials

March 1, 1994 17:11:20

Quan Reference

Part SYMAN Description

Quan	Reference	Part	SYMAN	Description
1	U43	7812	70-4013	7812 +12 Volt 1 Amp Voltage Regulator TO-220
1	U44	7912	70-4017	7912 -12 Volt 1 Amp Voltage Regulator TO-220
1	U45	7805	70-4014	7805 +5 Volt 1 Amp Voltage Regulator TO-220
1	U47	74HC4040	72-1096	12 Bit Ripple CT
1	U48	6303R	72-3151	1 MHZ MPU
1	U49	74HC74	72-1092	74HC74 Dual D-Type Pos Edge Trig Flip-Flop
1	U50	6N138	70-2139	Opto-Isolator
1	U51	74HC02	72-1091	Quadruple 2-Input Positive-Nor Gate
1	U52	74HC00	72-1090	Quadruple 2-Input Positive-Nand Gate
1	U56	74HC27	72-1256	TRI 3 IN NOR Gate
1	U57	74HC139	72-1100	Dual 2 Line to 4 Line Decoder/Demultiplexer
1	U58	74HC138	72-1108	3 Line to 8 Line Decoder/Demultiplexer
1	U59	27C512-150	72-3070	64K X 8 CMOS Eprom 150 ns
1	U60	6264A	72-3147	8K X 8 CMOS ST
2	U63,U91	LM833	72-4246	Low Noise Dual Audio Operational Amp
2	U64,U93	4051	72-0081	8 CH Analog Multiplex
2	U68,U98	DBX2155	72-4055	dbx 2155 Voltage Controlled Amplifier
1	U85	NJU7305	72-4244	Stereo 7 Band
1	U94	LA10502	54-0351	8 Bit R-2R Ladder, 5.00 kOhm 1% Thick Film
1	X1	36.0 MHZ	76-0328	36.00 MHZ Crystal
1	X2	4.00 MHZ	76-0334	4.00 MHZ Crystal