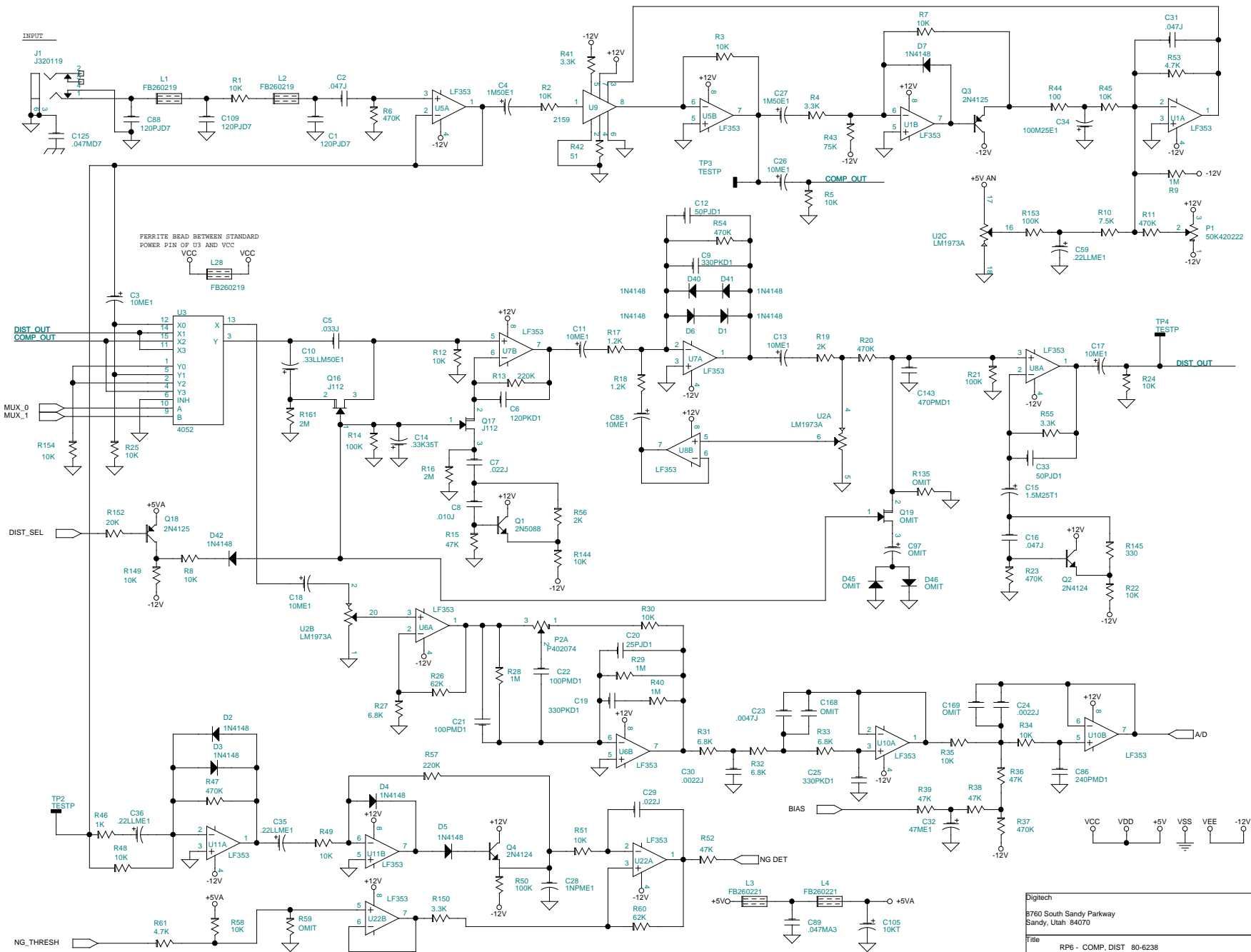


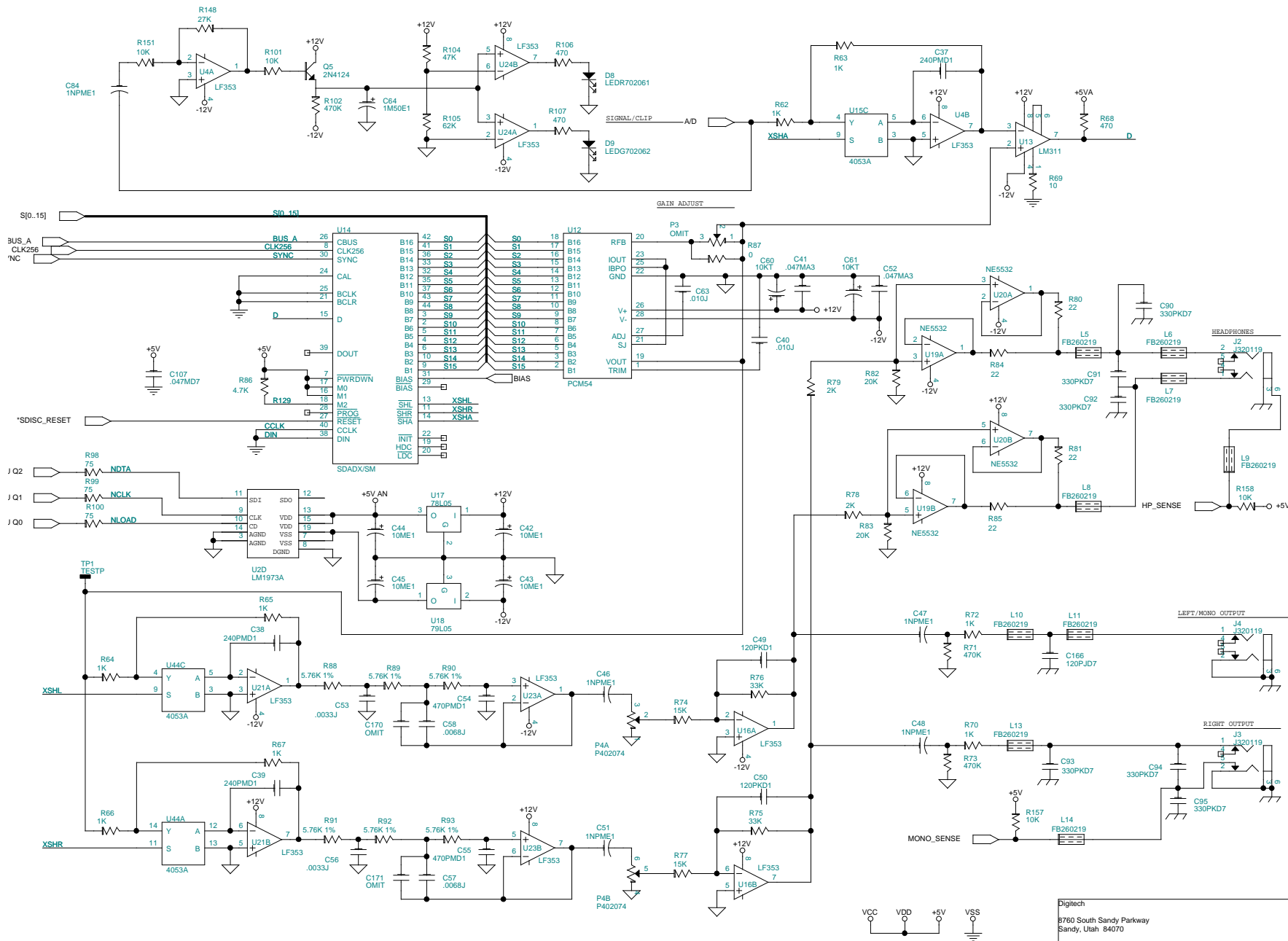
REV	DESCRIPTION	ECN#	DATE	REV	DESCRIPTION	ECN#	DATE
P0	NEW PRODUCT. FIRST PROTO		11-15-95				
P1	CHG J6 TO 32-0099; CHG WR1 TO 36-1141-A; CHG WR2 TO 36-1142-A						
A0	INITIAL PRODUCTION RELEASE		1-16-96				
A1	CHANGE R17 & R18 TO 1.2K; OMIT WASHERS WA1-4	758	2-15-96				
A2	CHANGE R133 FROM 390 OHM TO 680 OHM; USE SOFTWARE VERSION V1.01	783	2-27-96				
B0	MOVE J1-J4 .010 IN ON PCB TO ACCOMODATE WASHERS WA1-4; OTHER MANUFACTURABILITY IMPROVEMENTS; INCORPORATE PREVIOUS ECNS.	801	3-4-96				
B1	CHANGE Q1 FROM 2N4124 TO 2N5088	829	3-22-96				
B2	CHG R133 FROM 680 OHM TO 1K OHM	839	4-3-96				
B3	PUT BUMPONS ON SCHEMATIC	852	4.9.96				
B4	CHANGE LEDS TO BE AUTOINSERTED	853	4.9.96				
B5	SOFTWARE REV CHANGE FROM 1.01 TO 1.02 ON U30	934	5.15.96				
Y2	ADD 100 PIN SDISC OPTION. Y0 & Y1 HAVE BEEN USED ON SMT VERSION.		10-30-96				
B6	CHG C2 & C16 TO .047 FILM, CHG C24 TO .0022 FILM.	1185	11-5-96				
C0	RELEASE WITH 100 PIN SDISC OPTION AND OTHER MINOR CHANGES.		11-13-96				
C1	CHANGE U46,47,48,49,50 FROM 72-3149-10 TO 72-3181-10	1255	12.12.96				
C2	CHANGE U19 & U20 FROM 72-4023 TO 72-4316.	1532	4-24-97				
C3	CHANGE U9 FROM 72-4055 TO 72-4262	1541	4-25-97				
C4	CHANGE U37 FROM 72-3178 TO 72-3181.	1562	5-7-97				

LINK
056238C4.001
056238C4.002
056238C4.003
056238C4.004
056238C4.005
056238C4.006
056238C4.007

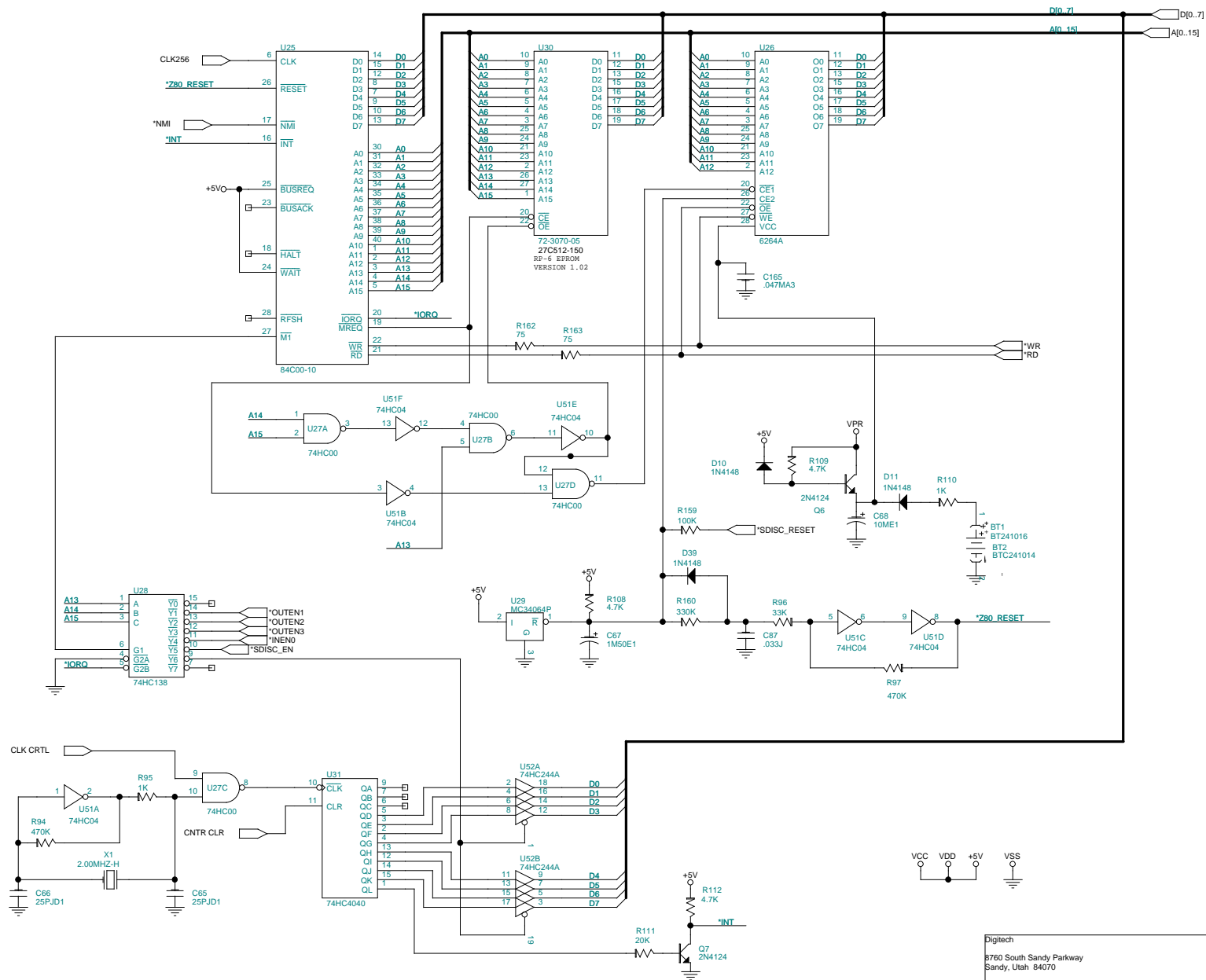
Digitech		
8760 South Sandy Parkway Sandy, Utah 84070		
Title RP-6 MAIN BOARD 80-6238		
Size B	Document Number 056238C4.000	Rev C4
Date:	Wednesday, September 20, 2000	Sheet 0 of 7



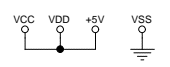
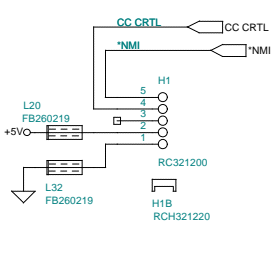
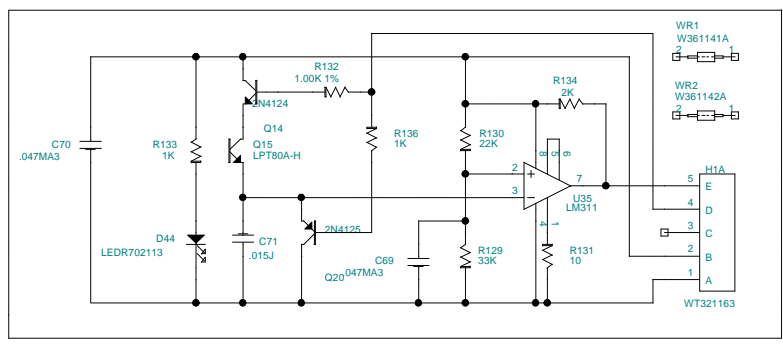
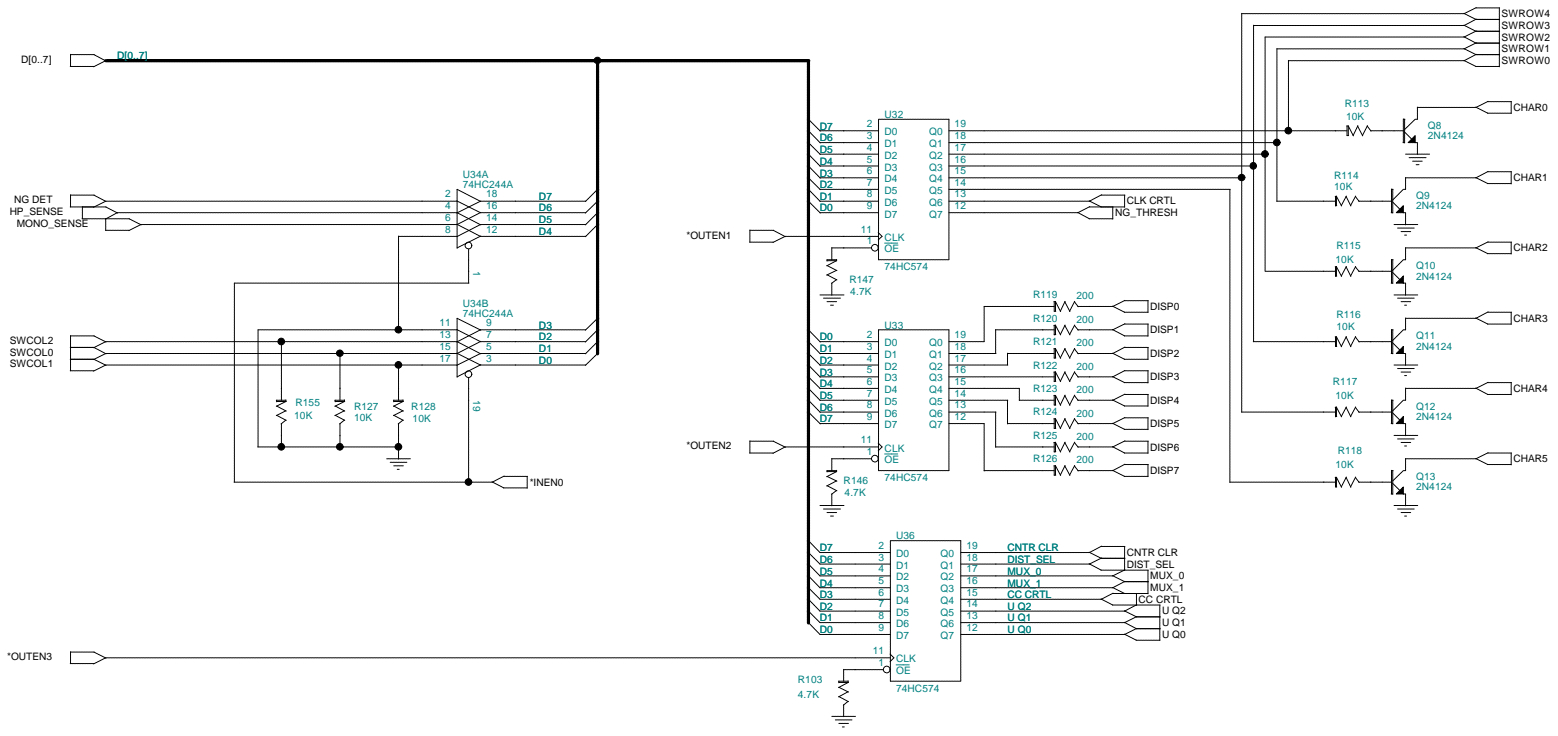
Digitech	
8760 South Sandy Parkway Sandy, Utah 84070	
Title RP6 - COMP_DIST 80-6238	
Size B	Document Number 056238C4.001
Date: Wednesday, September 20, 2000	Sheet 1 of 7
	Rev C4



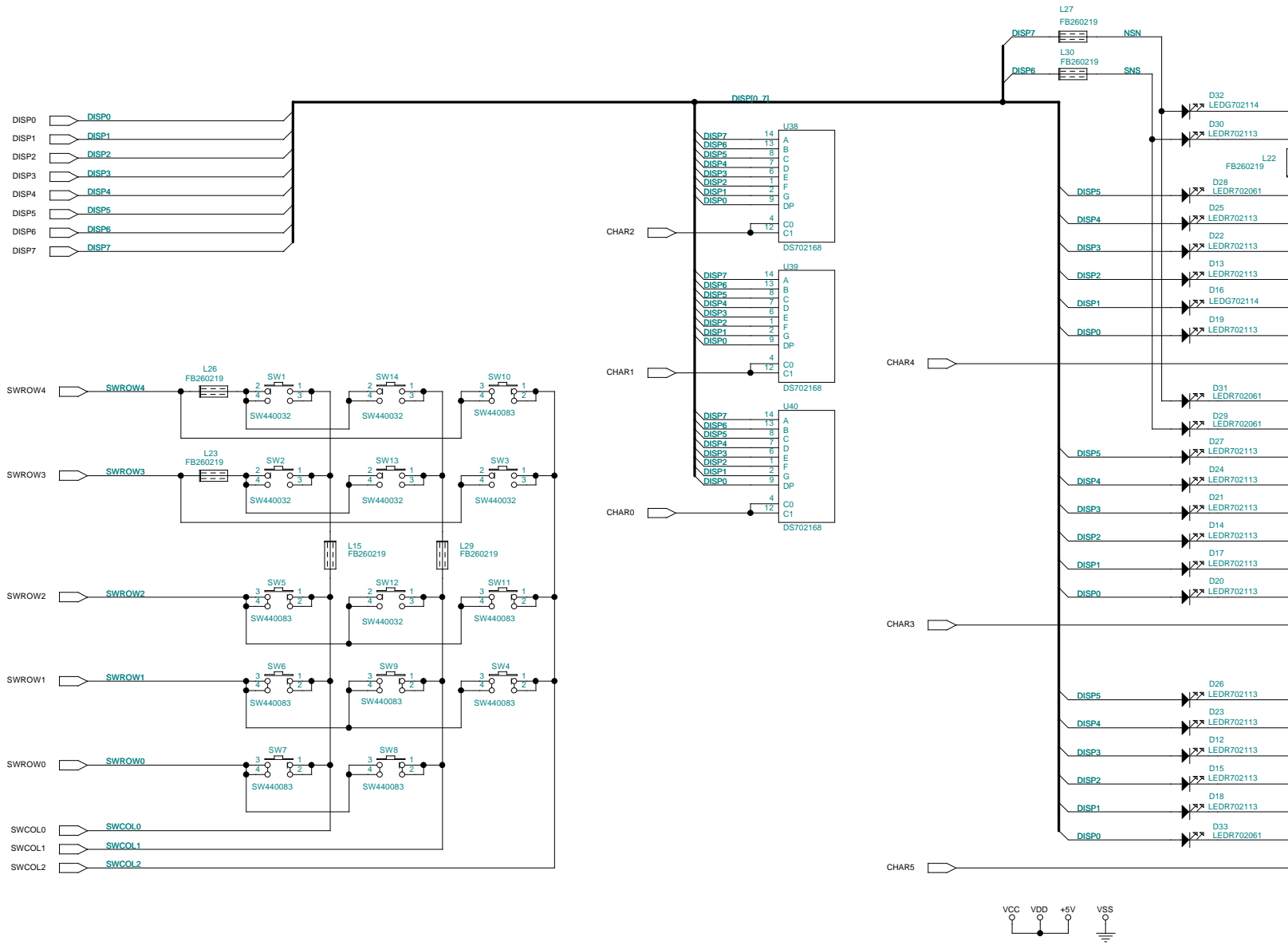
Digitech	
8760 South Sandy Parkway Sandy, Utah 84070	
Title RP6 - A/D/A, OUTPUTS 80-6238	
Size B	Document Number 056238C4.002
Date: Wednesday, September 20, 2000	Sheet 2 of 7
	Rev C4



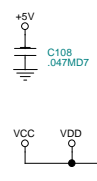
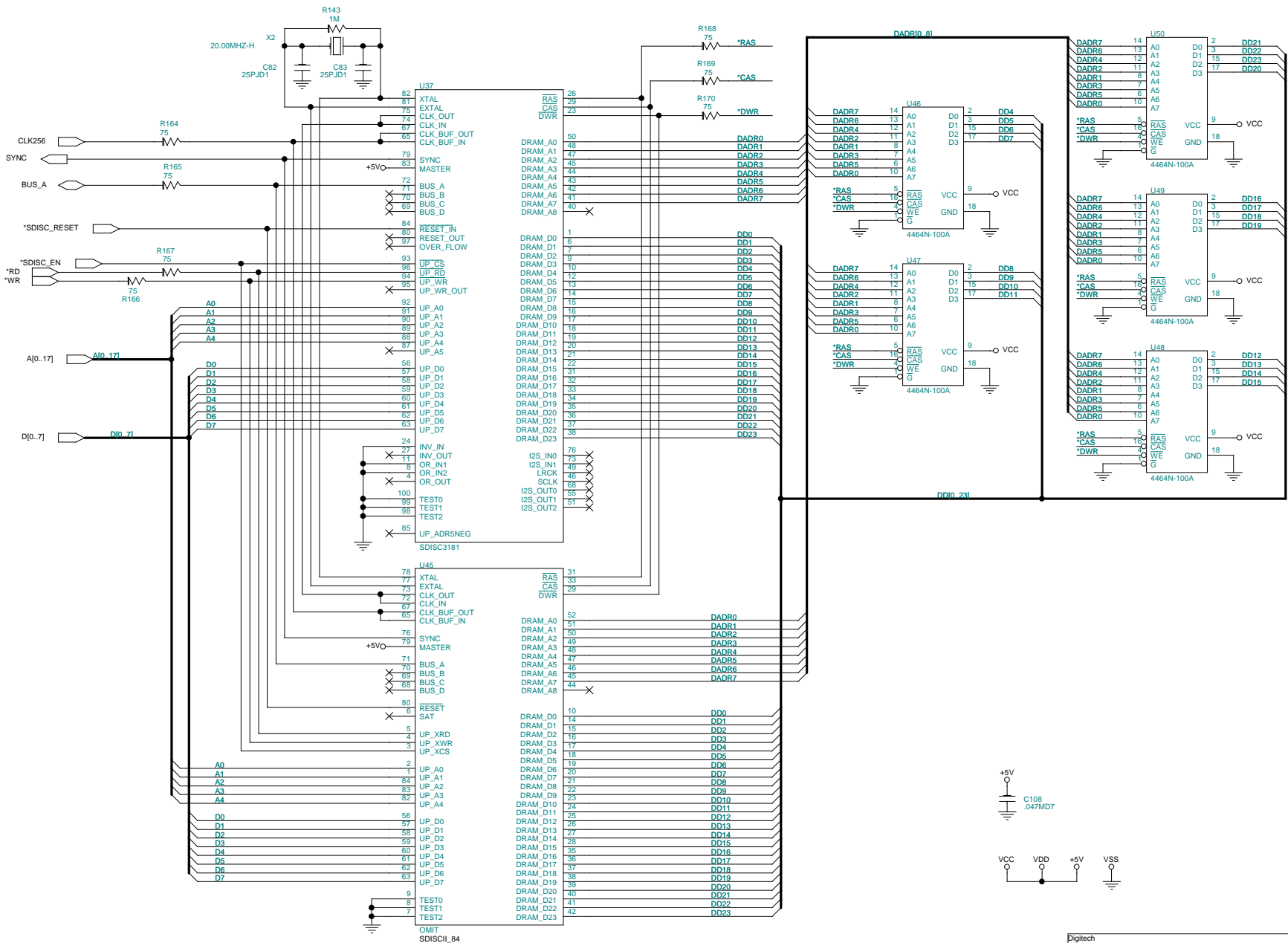
Digitech	
8760 South Sandy Parkway Sandy, Utah 84070	
Title RP6 - CPU, EPROM, SRAM 80-6238	
Size B	Document Number 056238C4.003
Date:	Rev C4
Wednesday, September 20, 2000 Sheet 3 of 7	



Digitech	
8760 South Sandy Parkway Sandy, Utah 84070	
Title RP6 CC INPUT, ANALOG CONTROLS 80-6238	
Size B	Document Number 056238C4.004
Date: Wednesday, September 20, 2000	Rev C4
Sheet 4 of 7	



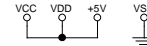
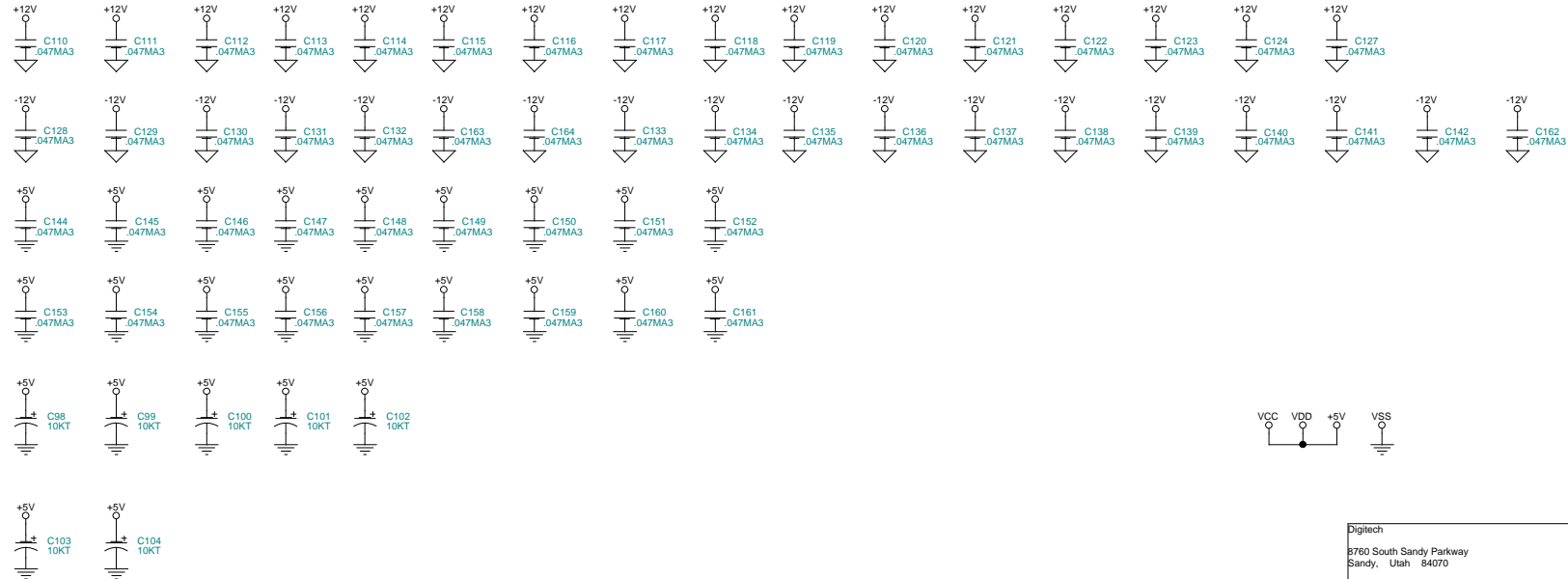
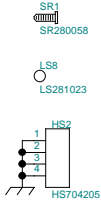
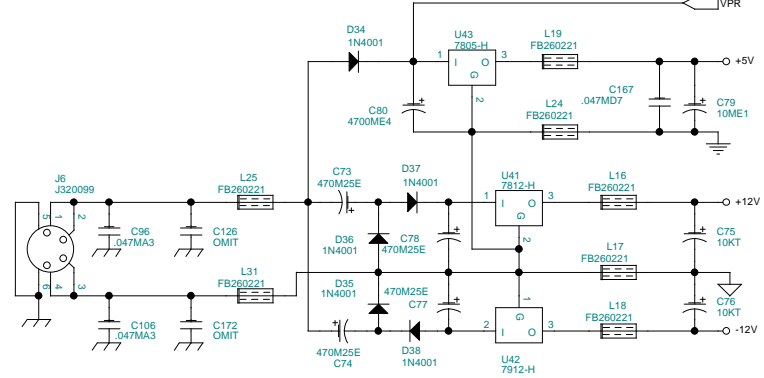
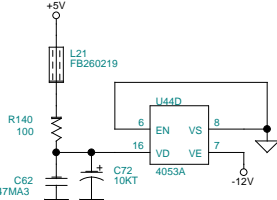
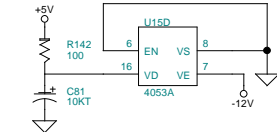
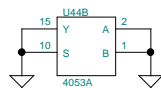
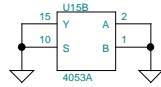
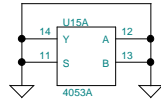
Digitech	
8760 South Sandy Parkway Sandy, Utah 84070	
Title RP6 - SWITCHES, LEDs 80-6238	
Size B	Document Number 056238C4.005
Date: Wednesday, September 20, 2000	Rev C4
Sheet 5 of 7	



Digitech	
8760 So. Sandy Parkway Sandy, Utah 84070	
Title RP6 - MAIN DSP, DRAM 80-6238	
Size B	Document Number 056238C4.006
Date: Wednesday, September 20, 2000	Sheet 6 of 7
	Rev C4

S19 DIP8S S2 DIP20S S12 DIP28S S46 DIP18S S47 DIP18S S48 DIP18S

S20 DIP8S S26 DIP28S S30 DIP28S S49 DIP18S S50 DIP18S



Digitech	
8760 South Sandy Parkway Sandy, Utah 84070	
Title RP6 - POWER 80-6238	
Size B	Document Number 056238C4.007
Date: Wednesday, September 20, 2000	Sheet 7 of 7
	Rev C4

&l0 (s0P (s15H (s8V (s0S &l6D &l66P &l3E &a7L &a120M &l61FDOD Software

Page 1

RP-6 MAIN BOARD 80-6238

Revised: May 7, 1997

056238C4.000

Revision: C4

Bill Of Materials

May 7, 1997 16:34:48

Quan Reference

Part

SYMAN

Description

Quan	Reference	Part	SYMAN	Description
7	BO1,BO2,BO3,BO4,BO5,BO6,BO7	BO220004	22-0004	Bumpon, Round, Clear, 0.500" dia x 0.130"
1	BT1	BT241016	24-1016	3V Battery, Lithium, Eveready Part #CR2032
1	BT2	BTC241014	24-1014	Holder For 3V Battery
4	C1,C88,C109,C166	120PJD7	62-3135	120 pF Cap 50V 5% Cerm SMT 0805
3	C2,C16,C31	.047J	56-0010	.047 uF Cap 50V 5% Stacked Metal Pet 473J ammo
13	C3,C11,C13,C17,C18,C26,C42,C43,C44,C45,C68,C79,C85	10ME1	60-0049-01	10 uF Cap 16V -20/+20% Elect.,-D Ammo
4	C4,C27,C64,C67	1M50E1	60-0044-01	1.0 uF Cap 50V -20/+20% Elect., T&R C&F
2	C5,C87	.033J	56-0009	.033 uF Cap 50V 5% Poly Film 333J ammo
3	C6,C49,C50	120PKD1	62-0002	120 pF Cap 50V 10% Ceramic Disc T&R
2	C7,C29	.022J	56-0008	.022 uF Cap 50V 5% Poly Film 223J ammo
3	C8,C40,C63	.010J	56-0006	.010 uF Cap 50V 5% Poly Film 103J ammo
3	C9,C19,C25	330PKD1	62-0006	330 pF Cap 50V 10% Ceramic Disc T&R
1	C10	.33LLM50E1	60-0061-01	.33 uF Cap 50V 20% Elect, LL T&R
2	C12,C33	50PJD1	62-0008	50 pF Cap 50V 5% Ceramic Disc T&R
1	C14	.33K35T	62-0160	.33 uF Cap 35V 10% Tantalum
1	C15	1.5M25T1	62-0164	1.5 uF Cap 25V 20% Tantalum T&R
5	C20,C65,C66,C82,C83	25PJD1	62-0001	25 pF Cap 50V 5% Ceramic Disc T&R
2	C21,C22	100PMD1	62-0020	100 pF Cap 50V 20% Ceramic Disc T&R
1	C23	.0047J	56-0004	.0047 uF Cap 50V 5% Poly Film 472J ammo
2	C24,C30	.0022J	56-0002	.0022 uF Cap 50V 5% Poly Film 222J ammo
6	C28,C46,C47,C48,C51,C84	1NPME1	60-0046-01	1.0 uF Cap 16V -20/+20% Elect., N.P. T&R
1	C32	47ME1	60-0054-01	47 uF Cap 16V -20/+20% Elect., T&R, 5X8mm body
1	C34	100M25E1	60-0055	100 uF Cap 25V -20/+20% Elect-D T&R
3	C35,C36,C59	.22LLME1	60-0039-01	.22 uF Cap 16V -20/+20% Elect, LL-D T&R
4	C37,C38,C39,C86	240PMD1	62-0010	240 pF Cap 50V 20% Ceramic Disc T&R
61	C41,C52,C62,C69,C70,C89,C96,C106,C110,C111,C112,C113,C114,C115,C116,C117,C118,C119,C120,C121,C122,C123,C124,C127,C128,C129,C130,C131,C132,C133,C134,C135,C136,C137,C138,C139,C140,C141,C142,C144,C145,C146,C147,C148,C149,C150,C151,C152,C153,C154,C155,C156,C157,C158,C159,C160,C161,C162,C163,C164,C165	.047MA3	62-0067	0.047 uF Cap 50V 20% Axial Monolithic
2	C53,C56	.0033J	56-0003	.0033 uF Cap 50V 5% Poly Film 332J ammo
3	C54,C55,C143	470PMD1	62-0003	470 pF Cap 50V 20% Ceramic Disc T&R
2	C57,C58	.0068J	56-0005	.0068 uF Cap 50V 5% Poly Film 682J ammo
14	C60,C61,C72,C75,C76,C81,C98,C99,C100,C101,C102,C103,C104,C105	10KT	62-0163	10 uF Cap 16V 10% Tantalum T&R
1	C71	.015J	56-0007	.015 uF Cap 50V 5% Poly Film 153J ammo
4	C73,C74,C77,C78	470M25E	60-0058	470 uF Cap 25V -20/+20% Elect
1	C80	4700ME4	60-0062	4700 uF Cap 16V -20/+20% Elect-L
6	C90,C91,C92,C93,C94,C95	330PKD7	62-3131	330 pF Cap 50V 10% Cerm SMT 0805
4	C107,C108,C125,C167	.047MD7	62-3129	.047 uF Cap 50V 20% Cerm SMT 0805
13	D1,D2,D3,D4,D5,D6,D7,D10,DOD Software	1N4148	70-0002	1N4148 Diode Silicon Switching, 75 Volts PIV

Page

RP-6 MAIN BOARD 80-6238

Revised: May 7, 1997

056238C4.000

Revision: C4

Bill Of Materials

May 7, 1997 16:34:48

Quan	Reference	Part	SYMAN	Description
	D11,D39,D40,D41,D42			
5	D8,D28,D29,D31,D33	LEDR702061	70-2061	LED Red, T1 Case (HAND STUFF ONLY)
1	D9	LEDG702062	70-2062	LED Green, T1 Case (HAND STUFF ONLY)
17	D12,D13,D14,D15,D17,D18, D19,D20,D21,D22,D23,D24, D25,D26,D27,D30,D44	LEDR702113	70-2113	Red Light Emitting Diode, T1 (AUTO INSERT)
2	D16,D32	LEDG702114	70-2114	Green Light Emitting Diode, T1 (AUTO INSERT)
5	D34,D35,D36,D37,D38	1N4001	70-0001	1N4001 Silicon Rectifier, 1 Amp, 50 Volts PIV
1	H1	RC321200	32-1200	5 Pin Ribbon Cable, 2mm spacing, 2.00" Length
1	H1A	WT321163	32-1163	5 Circuit Wire Trap Connector, 2mm Pitch
1	H1B	RCH321220	32-1220	5 Pin Ribbon Cable, Holder, 2mm spacing
1	HS1	HS704204	70-4204	Heatsink, 3 Regulator, Top
1	HS2	HS704205	70-4205	Heatsink, L-Shape Base
1	I1	INS704209	70-4209	Insulator, 3 Regulator Heatsink
4	J1,J2,J3,J4	J320119	32-0119	1/4 Phone Jack, Hor. Mount, Full Nose Thread Slimline
1	J6	J320099	32-0099	4 Pin Din JACK, Female PCB Mount, R/A Shielded U/M
23	L1,L2,L5,L6,L7,L8,L9,L10, L11,L12,L13,L14,L15,L20, L21,L22,L23,L26,L27,L28, L29,L30,L32	FB260219	26-0219	Ferrite Bead, 600 ohms @100Mhz, SMT 0805
9	L3,L4,L16,L17,L18,L19, L24,L25,L31	FB260221	26-0221	Ferrite Bead w/axial lead
3	LS8,LS9,LS33	LS281023	28-1023	Led Standoff, 0.187" OD x 0.120" ID x 0.170" Length
4	MP1,MP2,MP3,MP4	MP300H156	00-0000	This is not a part
1	P1	50K420222	42-0222	50 K Trim Pot, Vertical Mount, 3/4 turn
2	P2,P4	P402074	40-2074	100 K "W" 16mm, Rot Pot X2, 15mm D Shaft Ver,Bot
14	P3,Q19,D45,U45,D46,R59, C97,C126,R135,C168,C169, C170,C171,C172	OMIT	00-0000	This part has been omitted
1	PCB1	80-6238-C	80-6238-C	RP-6 MAIN PCB, RAW (95.76 sq.in.)
1	Q1	2N5088	70-1007	2N5088 NPN, Transistor, T&R
12	Q2,Q4,Q5,Q6,Q7,Q8,Q9,Q10, Q11,Q12,Q13,Q14	2N4124	70-1009	2N4124 NPN, Gen. Purp. Amplifier/Switching Xstr T&R
3	Q3,Q18,Q20	2N4125	70-1008	2N4125 PNP, Gen. Purp. Amplifier/Switching Xstr
1	Q15	LPT80A-H	70-2010	Photo Transistor, Horizontal (LPT80-A)
2	Q16,Q17	J112	70-1012	J112A JFET, National Only
34	R1,R2,R3,R5,R7,R8,R12, R22,R24,R25,R30,R34,R35, R45,R48,R49,R51,R58,R101, R113,R114,R115,R116,R117, R118,R127,R128,R144,R149, R151,R154,R155,R157,R158	10K	50-0020	10 KOhm Resistor 5% 1/4 Watt Carbon Film
4	R4,R41,R55,R150	3.3K	50-0014	3.3 KOhm Resistor 5% 1/4 Watt Carbon Film
12	R6,R11,R20,R23,R37,R47, R54,R71,R73,R94,R97,R102	470K	50-0042	470 KOhm Resistor 5% 1/4 Watt Carbon Film
5	R9,R28,R29,R40,R143	1M	50-0045	1 MOhm Resistor 5% 1/4 Watt Carbon Film
1	R10	7.5K	50-0017	7.5 KOhm Resistor 5% 1/4 Watt Carbon Film
2	R13,R57	220K	50-0040	220 KOhm Resistor 5% 1/4 Watt Carbon Film
5	R14,R21,R50,R153,R159	100K	50-0036	100 KOhm Resistor 5% 1/4 Watt Carbon Film
6	R15,R36,R38,R39,R52,R104	47K	50-0030	47 KOhm Resistor 5% 1/4 Watt Carbon Film
2	R16,R161	2M	50-0046	2 MOhm Resistor 5% 1/4 Watt Carbon Film
2	R17,R18	1.2K	50-0202	1.2 KOhm Resistor 5% 1/4 Watt Carbon Film

DOD Software

RP-6 MAIN BOARD 80-6238

056238C4.000

Bill Of Materials

Quan Reference

Revised: May 7, 1997

Revision: C4

May 7, 1997 16:34:48

Part SYMAN Description

Page

5	R19,R56,R78,R79,R134	2K	50-0013	2 KOhm Resistor 5% 1/4 Watt Carbon Film
3	R26,R60,R105	62K	50-0032	62 KOhm Resistor 5% 1/4 Watt Carbon Film

056238c4.pls

4	R27,R31,R32,R33	6.8K	50-0016	6.8	KOhm Resistor	5%	1/4	Watt Carbon Film
1	R42	51	50-0002	51	Ohm Resistor	5%	1/4	Watt Carbon Film
1	R43	75K	50-0033	75	KOhm Resistor	5%	1/4	Watt Carbon Film
3	R44,R140,R142	100	50-0003	100	Ohm Resistor	5%	1/4	Watt Carbon Film
13	R46,R62,R63,R64,R65,R66, R67,R70,R72,R95,R110, R133,R136	1K	50-0012	1	KOhm Resistor	5%	1/4	Watt Carbon Film
9	R53,R61,R86,R103,R108, R109,R112,R146,R147	4.7K	50-0015	4.7	KOhm Resistor	5%	1/4	Watt Carbon Film
3	R68,R106,R107	470	50-0006	470	Ohm Resistor	5%	1/4	Watt Carbon Film
2	R69,R131	10	50-0001	10	Ohm Resistor	5%	1/4	Watt Carbon Film
2	R74,R77	15K	50-0019	15	KOhm Resistor	5%	1/4	Watt Carbon Film
4	R75,R76,R96,R129	33K	50-0028	33	KOhm Resistor	5%	1/4	Watt Carbon Film
4	R80,R81,R84,R85	22	50-0158	22	Ohm Resistor	5%	1/4	Watt Carbon Film
4	R82,R83,R111,R152	20K	50-0023	20	KOhm Resistor	5%	1/4	Watt Carbon Film
1	R87	0	50-0050	0	Ohm Resistor	5%	1/4	Watt Carbon Film
6	R88,R89,R90,R91,R92,R93	5.76K 1%	52-0116	5.76	KOhm Resistor	1%	1/4	Watt Metal Film
12	R98,R99,R100,R162,R163, R164,R165,R166,R167,R168, R169,R170	75	50-0171	75	Ohm Resistor	5%	1/4	Watt Carbon Film
8	R119,R120,R121,R122,R123, R124,R125,R126	200	50-0004	200	Ohm Resistor	5%	1/4	Watt Carbon Film
1	R130	22K	50-0025	22	KOhm Resistor	5%	1/4	Watt Carbon Film
1	R132	1.00K 1%	52-0133	1.00	KOhm Resistor	1%	1/4	Watt Metal Film
1	R145	330	50-0005	330	Ohm Resistor	5%	1/4	Watt Carbon Film
1	R148	27K	50-0027	27	KOhm Resistor	5%	1/4	Watt Carbon Film
1	R160	330K	50-0041	330	KOhm Resistor	5%	1/4	Watt Carbon Film
1	S2	DIP20S	70-3018	20	Pin Dip Socket			
3	S12,S26,S30	DIP28S	70-3161	28	Pin Dip Socket, .600 wide			
2	S19,S20	DIP8S	70-3020	8	Pin Dip Socket			
5	S46,S47,S48,S49,S50	DIP18S	70-3160	18	Pin Dip Socket			
2	SR1,SR2	SR280058	28-0058		Screw, 6-32 x 3/8", Pozi, Pan, Black			
2	SR3,SR4	SR280059	28-0059		Screw, 6-32 x 1/4", Pozi, Pan, Black			
6	SW1,SW2,SW3,SW12,SW13, SW14	SW440032	44-0032		Lite Touch Switch For FX/PDS			
8	SW4,SW5,SW6,SW7,SW8,SW9, SW10,SW11	SW440083	44-0083		Lite Touch Switch, Mini			
4	TP1,TP2,TP3,TP4	TESTP	00-0000		Test point, Standard			
13	U1,U4,U5,U6,U7,U8,U10, U11,U16,U21,U22,U23,U24	LF353	72-4030		LF353 Wide Bandwidth Dual JFET Input Op-Amp			
1	U2	LM1973A	72-4043		LM1973 Triple digital controlled analog attenuator			
1	U3	4052	72-0080		4 CH Analog Multiplex			
1	U9	2159	72-4262		VCA,THAT 2159 (DOD & Digitech)			
1	U12	PCM54	72-3079		16 BIT DAC			
2	U13,U35	LM311	72-4027		LM311 Analog Voltage Comparator			
1	U14	SDADX/SM	72-3176		A/D/A Interface ASIC, SMT			
2	U15,U44	4053A	72-0086		Triple 2 Pole Analog Mux			
1	U17	78L05	70-4012		78L05 +5 Volt 100 mA Voltage Regulator TO-92			
1	U18	79L05	70-4127		79L05 -5 Volt 100 mA Voltage Regulator TO-92			
2	U19,U20	NE5532	72-4316		5532 Low Noise Dual Op-Amp			

DOD Software

RP-6 MAIN BOARD 80-6238

056238C4.000

Bill Of Materials

Quan Reference

Revised: May 7, 1997

Revision: C4

May 7, 1997 16:34:48

Part SYMAN Description

Page

1	U25	84C00-10	72-5410		CPU Z84C00 Microprocessor 10MHz CMOS			
1	U26	6264A	72-3147-10		6264, 8K X 8 CMOS Static RAM			
1	U27	74HC00	72-1090		Quadruple 2-Input Positive-Nand Gate			
1	U28	74HC138	72-1108		3 Line to 8 Line Decoder/Demultiplexer			
1	U29	MC34064P	70-5004		MC34064 Undervoltage Sensing Circuit			
1	U30	72-3070-05	72-3070-05		27C512-150, (RP-6) V1.02			
1	U31	74HC4040	72-1096		12 Bit Ripple CT			

056238c4.pls

3	U32,U33,U36	74HC574	72-1112	Octal D-Type Pos. Edge Triggered Flip-Flops
2	U34,U52	74HC244A	72-1107	Octal Buffer-Line Driver W/3-State Outputs
1	U37	SDISC3181	72-3181	SDISCII W/I's Interface in QFP100 SPECIAL FOOTPRINT (AMI)
3	U38,U39,U40	DS702168	70-2168	1-DIG 7-SEG Light Emitting Diode
1	U41	7812-H	70-4013	7812 +12 Volt 1 Amp Voltage Regulator TO-220 HORIZ
1	U42	7912-H	70-4017	7912 -12 Volt 1 Amp Voltage Regulator TO-220 HORIZ
1	U43	7805-H	70-4014	7805 +5 Volt 1 Amp Voltage Regulator TO-220 HORIZ
5	U46,U47,U48,U49,U50	4464N-100A	72-3161-10	4464, 64K X 4 Dynamic RAM -100ns LH2464, NEC
1	U51	74HC04	72-1098	Hex Inverter 74HC04
3	WA1,WA2,WA4	WA280187	28-0187-A	Washer, for grounding J320119
1	WR1	W361141A	36-1141-A	Wire, 2 End, 3.00", BLK, 24AWG, stripped, tinned
1	WR2	W361142A	36-1142-A	Wire, 2 End, 3.00", RED, 24AWG, stripped, tinned
1	X1	2.00MHZ-H	76-0335	2.00 MHZ Crystal, Horiz
1	X2	20.00MHZ-H	76-0321	20.00 MHZ Crystal, Horiz