



Service Manual



EUROPOWER PMP1680S

1600-Watt 10-Channel Powered Mixer with Dual
Multi-FX Processor and FBQ Feedback Detection System

Specifications	2
PCB Schematic	3
Parts List	17
Exploded Drawing	35

behringer.com

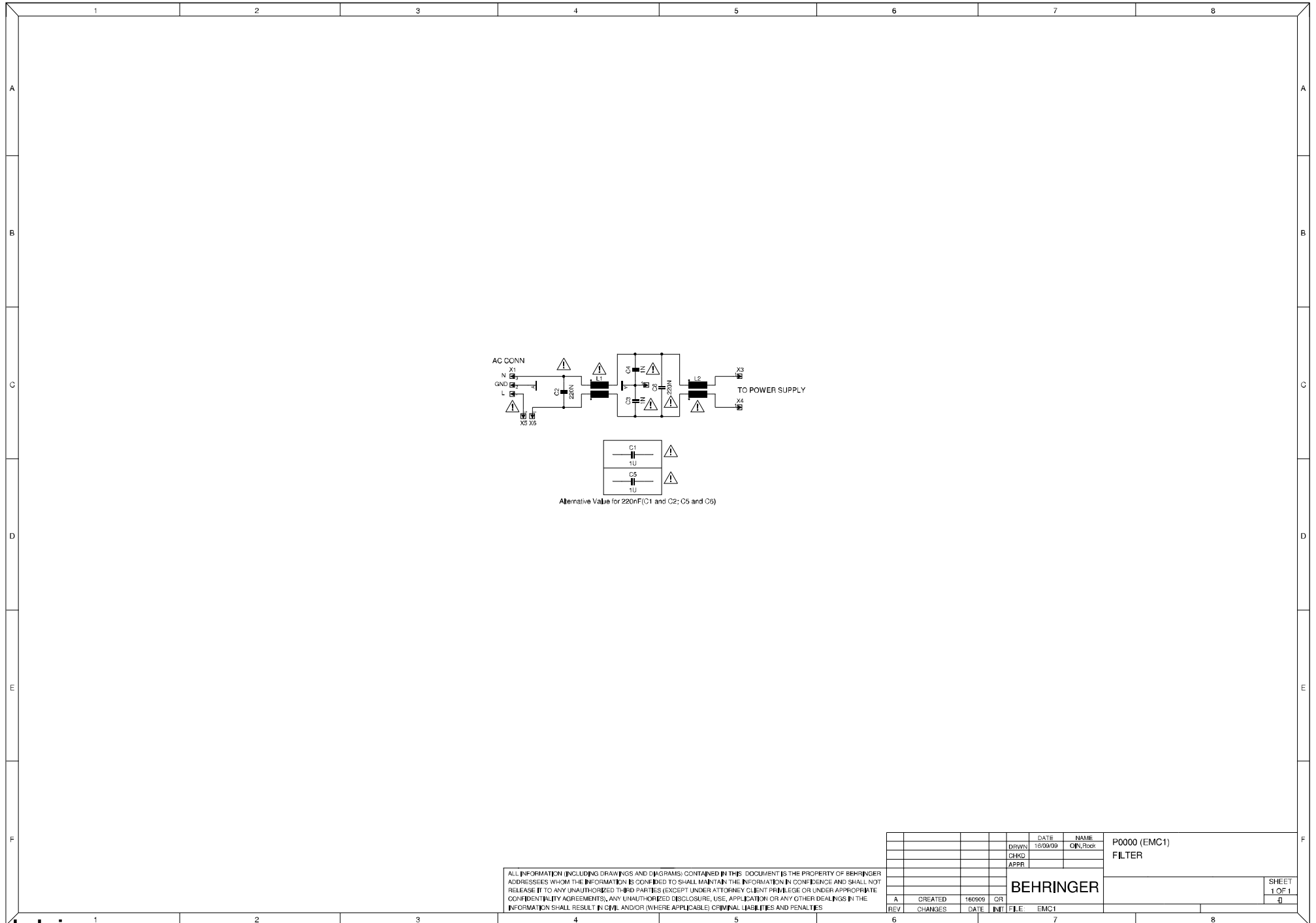


©2012 MUSIC Group IP Ltd. All third party trademarks mentioned belong to their respective owners and are not affiliated with MUSIC Group IP Ltd. All information (including drawings and diagrams) contained in this document is the property of MUSIC Group IP Ltd., its subsidiaries or content providers, and is protected by intellectual property (copyright, trademark, patents, etc) laws, international treaty provisions and other laws. Any unauthorized disclosure, use, application, reproduction, modification, lease, sale, transmission or any other dealings in the information may violate applicable laws and result in civil and/or (where applicable) criminal liabilities and penalties.

EUROPOWER PMP1680S

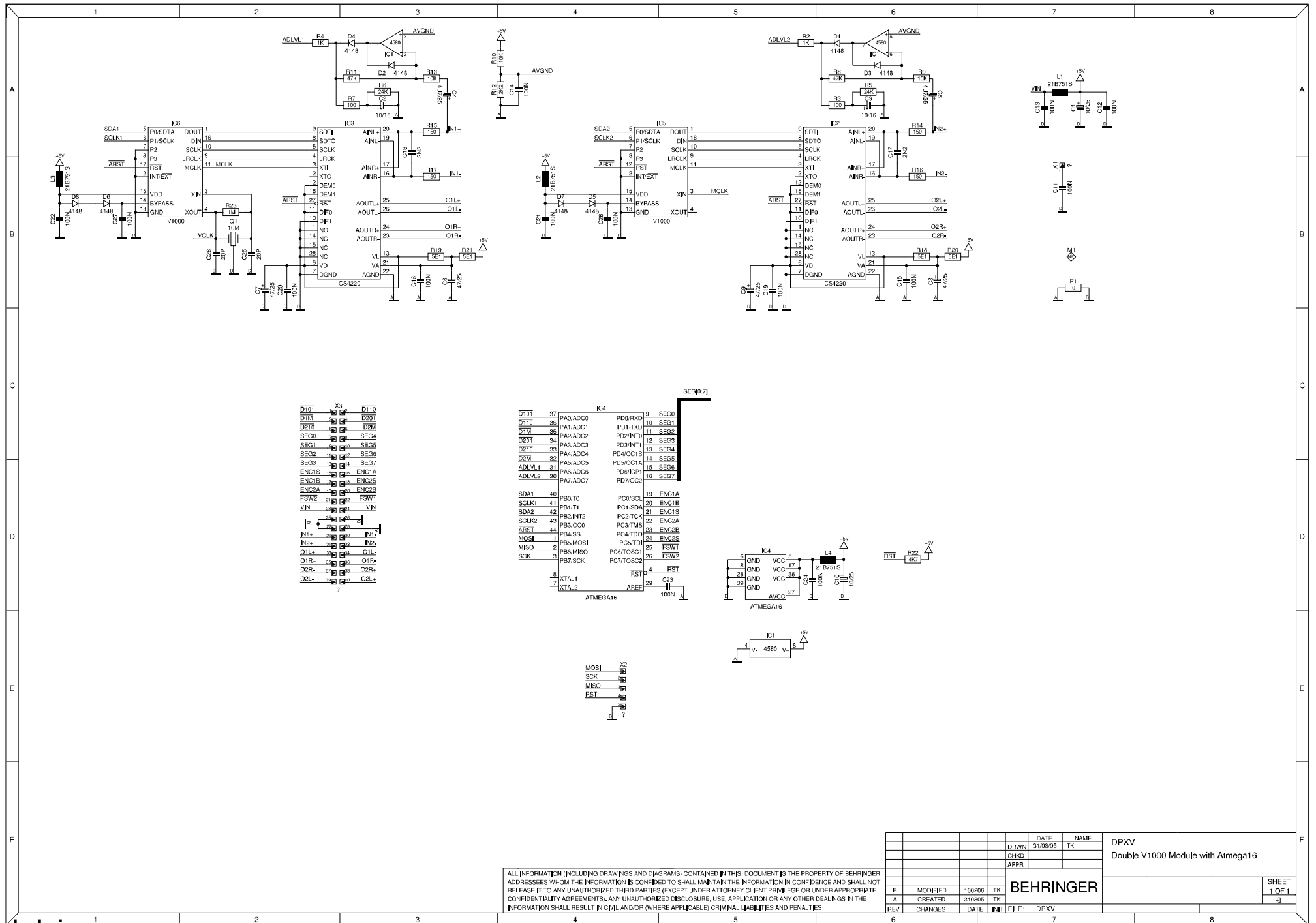
Specifications

- Ultra-compact rack-mountable 2 x 800-Watt stereo powered mixer (1600-Watt bridged mode)
- Revolutionary Class-D amplifier technology: enormous power, incredible sonic performance and super-light weight
- Ultra-compact design at nearly half the depth and weight of conventional powered mixers means no more lugging around dead weight
- 10-channel mixer section features 6 mono and 2 stereo channels plus separate CD/Tape input/output
- 2 studio-grade, 24-bit stereo FX processors with 100 awesome presets including reverb, chorus, flanger, delay, pitch shifter and various multi-effects
- Revolutionary FBQ Feedback Detection system instantly reveals critical frequencies for easy feedback removal
- 8 high-quality mic preamps with switchable +48 V phantom power for condenser microphones
- Effective, extremely musical 3-band EQ, switchable Pad, and Clip LEDs on all mono channels
- Stereo 7-band graphic EQ allows precise frequency correction of monitor and main outputs
- Voice Canceller function removes singer's voice from recordings for karaoke applications
- Selectable stereo (main L/R), double mono (main/monitor) or bridged mono amplifier operation mode
- Speaker Processing function adjusts frequency response to match professional speaker systems like BEHRINGER EUROLIVE series, etc.
- Standby switch mutes all input channels during breaks while background music is provided via CD/Tape input
- Adjustable stereo Aux input for connecting external signal sources
- Internal switch-mode power supply, noise-free audio, superior transient response and very low power consumption
- Rack mount brackets included
- High-quality components and exceptionally rugged construction ensure long life
- Conceived and designed by BEHRINGER Germany



ALL INFORMATION (INCLUDING DRAWINGS AND DIAGRAMS) CONTAINED IN THIS DOCUMENT IS THE PROPERTY OF BEHRINGER ADDRESSEES WHOM THE INFORMATION IS CONFIDED TO SHALL MAINTAIN THE INFORMATION IN CONFIDENCE AND SHALL NOT RELEASE IT TO ANY UNAUTHORIZED THIRD PARTIES (EXCEPT UNDER ATTORNEY CLIENT PRIVILEGE OR UNDER APPROPRIATE CONFIDENTIALITY AGREEMENTS), ANY UNAUTHORIZED DISCLOSURE, USE, APPLICATION OR ANY OTHER DEALINGS IN THE INFORMATION SHALL RESULT IN CIVIL AND/OR (WHERE APPLICABLE) CRIMINAL LIABILITIES AND PENALTIES

				DATE	NAME	P0000 (EMC1) FILTER	SHEET 1 OF 1
		DRWN	15/09/09	OR, Rock			
		CHKG					
				APPR			
A	CREATED	160909	OR				
REV	CHANGES	DATE	INT	FILE	EMC1		

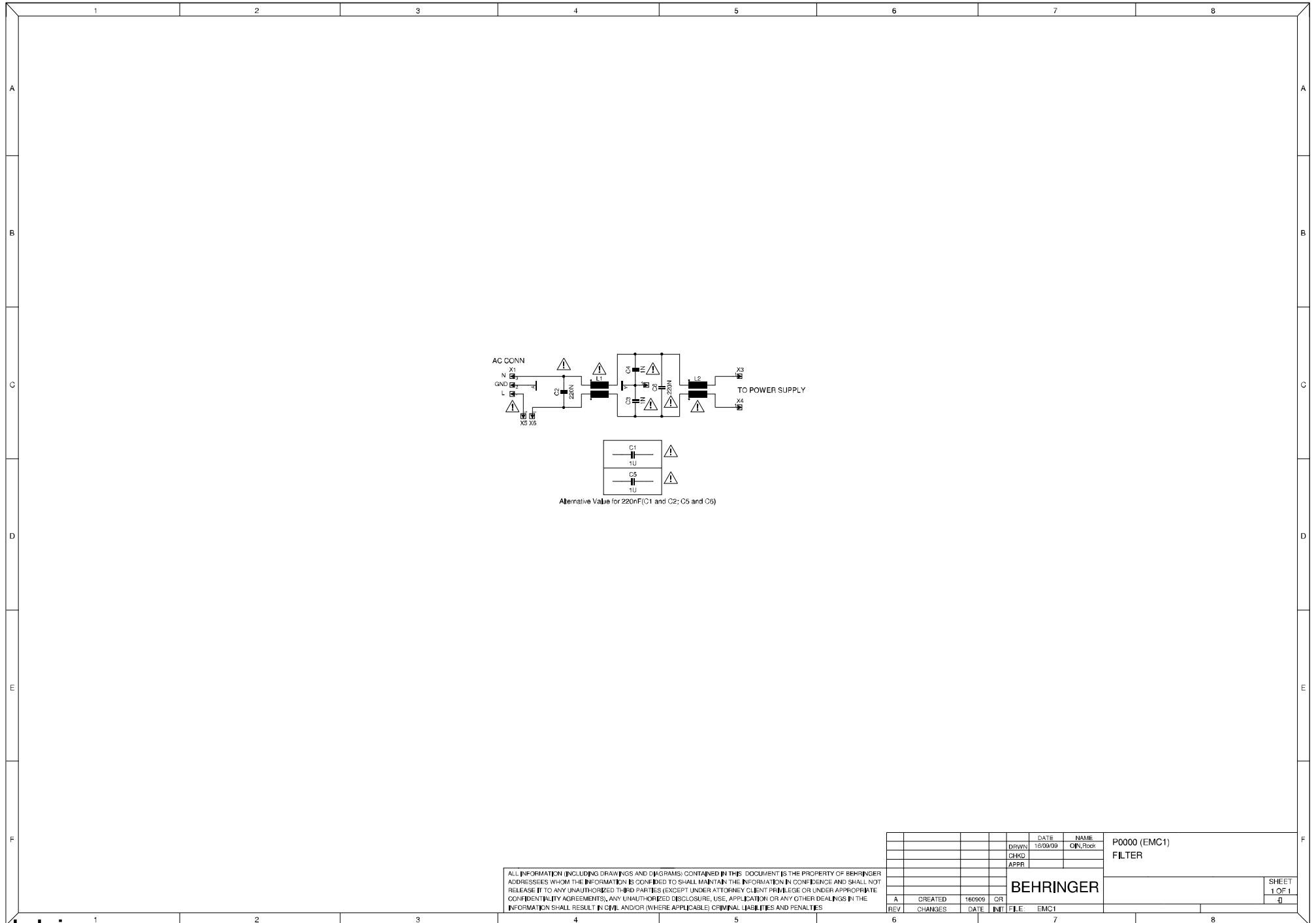


D10T	X3	D110
D11A	D20T	D20T
D210	D21	D21
SEG0	SEG4	SEG4
SEG1	SEG3	SEG3
SEG2	SEG9	SEG9
SEG3	SEG7	SEG7
ENC1S	ENC1A	ENC1A
ENC1B	ENC2S	ENC2S
ENC2A	ENC2B	ENC2B
FSW2	FSW1	FSW1
VIN	VIN	VIN

D10T	37	PA0/ADC0	9	SEG0
D11A	38	PA1/ADC1	10	SEG1
D210	39	PA2/ADC2	11	SEG2
D20T	40	PA3/ADC3	12	SEG3
D210	41	PA4/ADC4	13	SEG4
D2M	42	PA5/ADC5	14	SEG5
ADLVL1	43	PA6/ADC6	15	SEG6
ADLVL2	44	PA7/ADC7	16	SEG7
SDA1	40	PC0/SCL	19	ENC1A
SCLK1	41	PC1/SDA	20	ENC1B
SDA2	42	PC2/INT2	21	ENC1S
SCLK2	43	PC3/OC0	22	ENC2A
AFST	44	PC4/TDO	23	ENC2B
MCS1	45	PC5/MOSI	24	ENC2S
MISO	46	PC6/MISO	25	FSW1
SCK	47	PC7/TOSC2	26	FSW2
XTAL1	48	RST	4	RST
XTAL2	49	AREF	29	C23

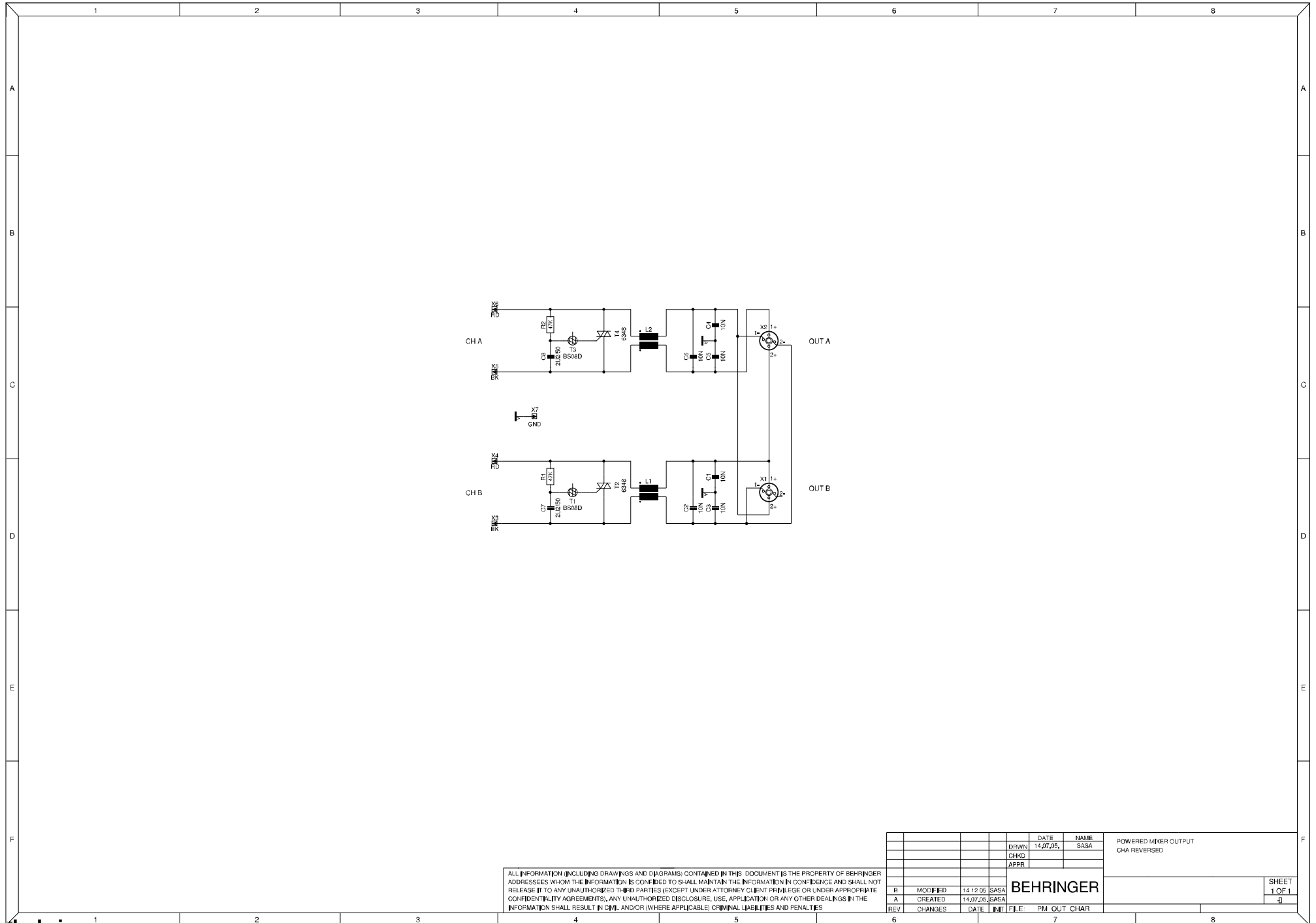
				DATE	NAME	DPXV
				31/08/05	TK	Double V1000 Module with Aimega16
				DRWN		
				CHKG		
				APPR		
B	MODIFIED	100206	TK	BEHRINGER		SHEET 1 OF 1
A	CREATED	310805	TK			0
REV	CHANGES	DATE	INT	FILE	DPXV	

ALL INFORMATION (INCLUDING DRAWINGS AND DIAGRAMS) CONTAINED IN THIS DOCUMENT IS THE PROPERTY OF BEHRINGER ADDRESSES WHOM THE INFORMATION IS CONTAINED TO SHALL LIBERATE THE INFORMATION IN CONFIDENCE AND SHALL NOT RELEASE IT TO ANY UNAUTHORIZED THIRD PARTIES (EXCEPT UNDER ATTORNEY CLIENT PRIVILEGE OR UNDER APPROPRIATE CONFIDENTIALITY AGREEMENTS), ANY UNAUTHORIZED DISCLOSURE, USE, APPLICATION OR ANY OTHER DEALINGS IN THE INFORMATION SHALL RESULT IN CIVIL AND/OR (WHERE APPLICABLE) CRIMINAL LIABILITIES AND PENALTIES



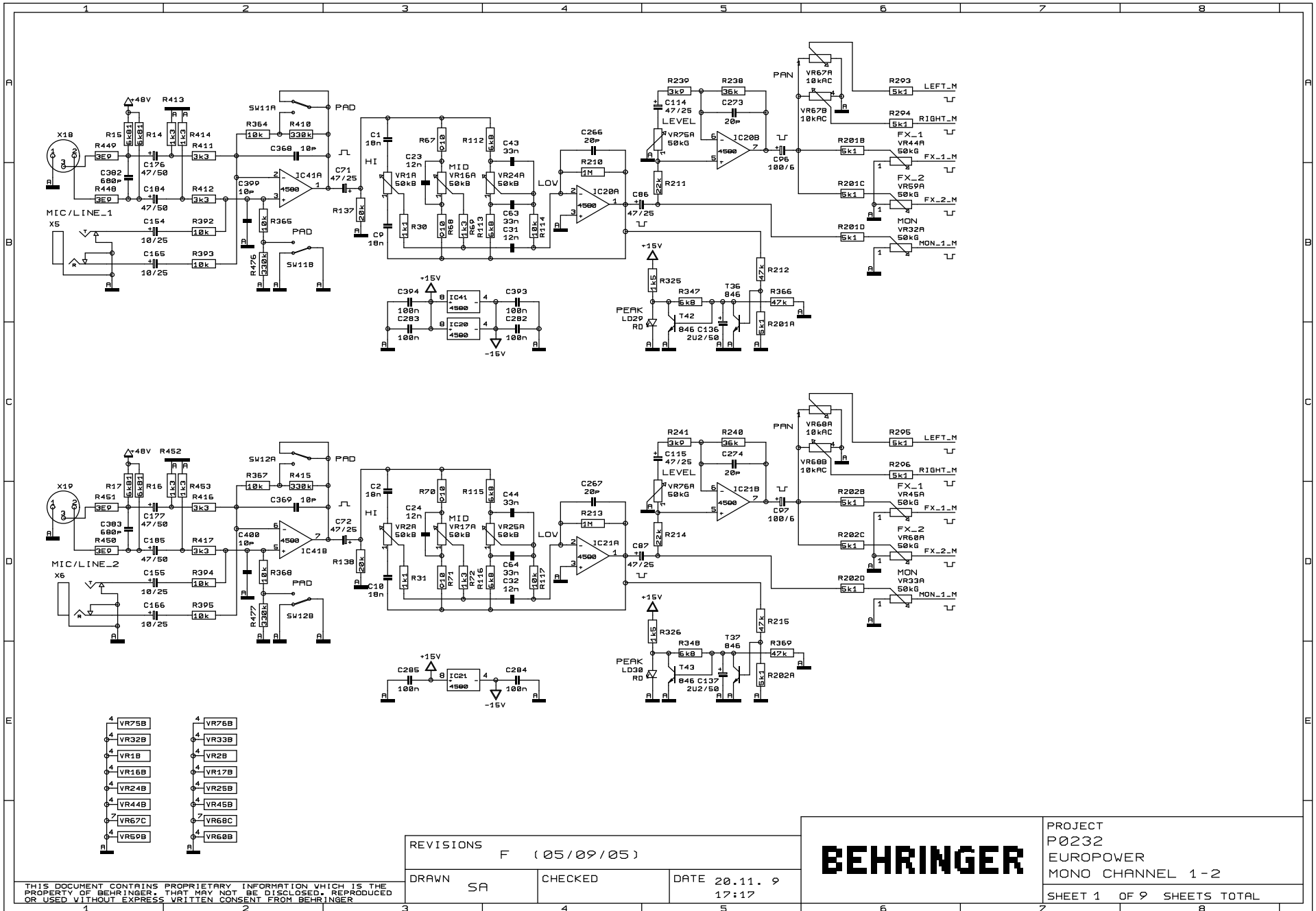
ALL INFORMATION (INCLUDING DRAWINGS AND DIAGRAMS) CONTAINED IN THIS DOCUMENT IS THE PROPERTY OF BEHRINGER ADDRESSEES WHOM THE INFORMATION IS CONFIDED TO SHALL MAINTAIN THE INFORMATION IN CONFIDENCE AND SHALL NOT RELEASE IT TO ANY UNAUTHORIZED THIRD PARTIES (EXCEPT UNDER ATTORNEY CLIENT PRIVILEGE OR UNDER APPROPRIATE CONFIDENTIALITY AGREEMENTS), ANY UNAUTHORIZED DISCLOSURE, USE, APPLICATION OR ANY OTHER DEALINGS IN THE INFORMATION SHALL RESULT IN CIVIL AND/OR (WHERE APPLICABLE) CRIMINAL LIABILITIES AND PENALTIES

				DATE	NAME	P0000 (EMC1) FILTER	SHEET 1 OF 1
		DRWN	15/09/09	OR, Rock			
		CHKG					
A	CREATED	160909	OR				
REV	CHANGES	DATE	INT	FILE	EMC1		



ALL INFORMATION (INCLUDING DRAWINGS AND DIAGRAMS) CONTAINED IN THIS DOCUMENT IS THE PROPERTY OF BEHRINGER ADDRESSES WHOM THE INFORMATION IS CONFIDED TO SHALL MAINTAIN THE INFORMATION IN CONFIDENCE AND SHALL NOT RELEASE IT TO ANY UNAUTHORIZED THIRD PARTIES (EXCEPT UNDER ATTORNEY CLIENT PRIVILEGE OR UNDER APPROPRIATE CONFIDENTIALITY AGREEMENTS), ANY UNAUTHORIZED DISCLOSURE, USE, APPLICATION OR ANY OTHER DEALINGS IN THE INFORMATION SHALL RESULT IN CIVIL AND/OR (WHERE APPLICABLE) CRIMINAL LIABILITIES AND PENALTIES

			DATE	NAME	POWERED MIXER OUTPUT CHA REVERSED
		DRWN	14.07.05	SASA	
		CHKG			
				APPR	
B	MODIFIED	14.12.06	SASA	BEHRINGER	SHEET
A	CREATED	14.07.05	SASA		1 OF 1
REV	CHANGES	DATE	INT	FILE	PM OUT CHAR



- 4 VR75B
- 4 VR32B
- 4 VR1B
- 4 VR16B
- 4 VR24B
- 4 VR44B
- 4 VR67C
- 4 VR59B
- 4 VR76B
- 4 VR33B
- 4 VR2B
- 4 VR17B
- 4 VR25B
- 4 VR45B
- 4 VR68C
- 4 VR68B

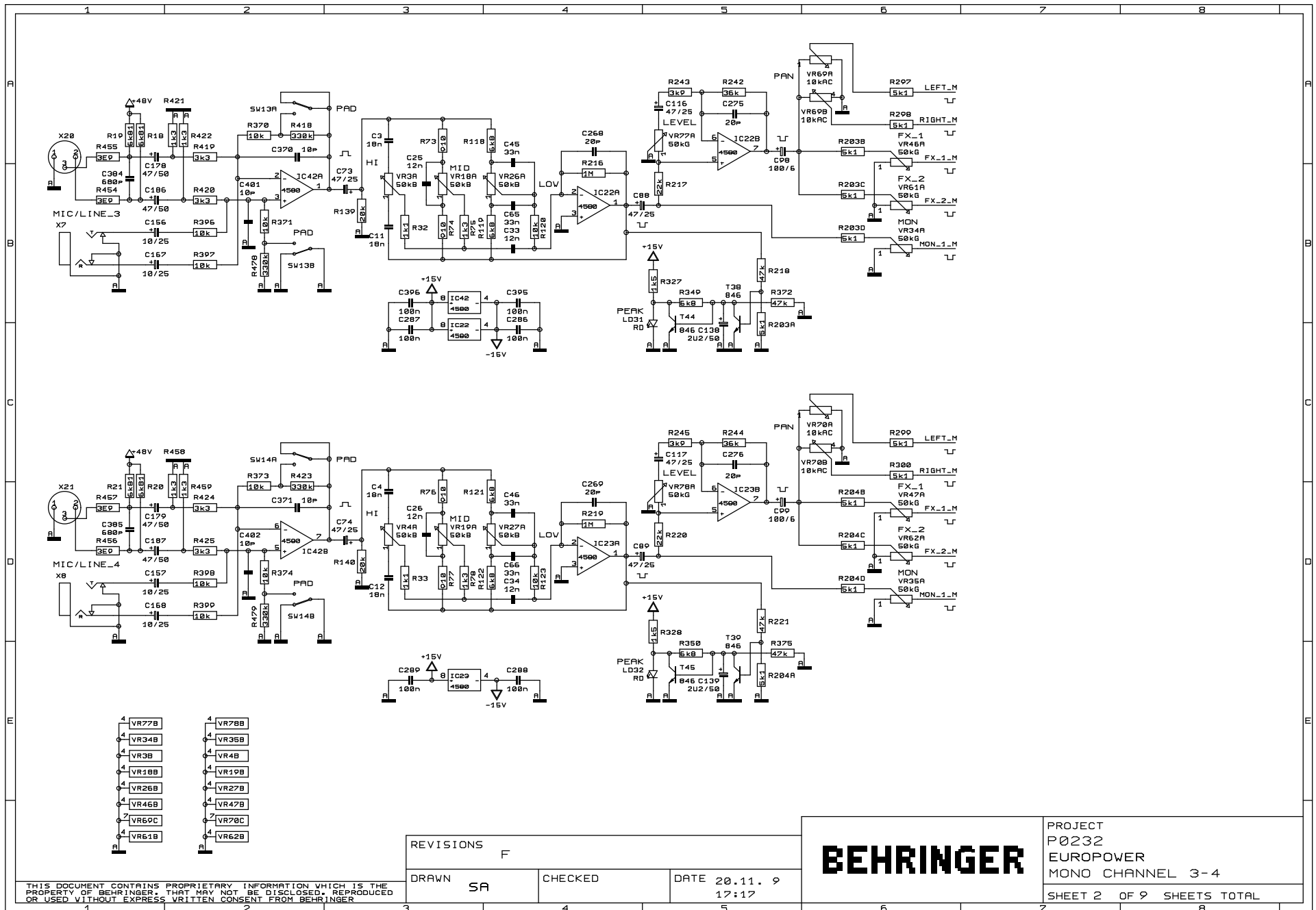
REVISIONS		
F (05/09/05)		
DRAWN	CHECKED	DATE
SA		20.11. 9
		17:17

BEHRINGER

PROJECT P0232
EUROPOWER MONO CHANNEL 1-2

SHEET 1 OF 9 SHEETS TOTAL

THIS DOCUMENT CONTAINS PROPRIETARY INFORMATION WHICH IS THE PROPERTY OF BEHRINGER. THAT MAY NOT BE DISCLOSED, REPRODUCED OR USED WITHOUT EXPRESS WRITTEN CONSENT FROM BEHRINGER.



- 4 VR77B
- 4 VR34B
- 4 VR3B
- 4 VR18B
- 4 VR25B
- 4 VR46B
- 4 VR60C
- 4 VR61B
- 4 VR78B
- 4 VR35B
- 4 VR4B
- 4 VR19B
- 4 VR27B
- 4 VR47B
- 4 VR70C
- 4 VR62B

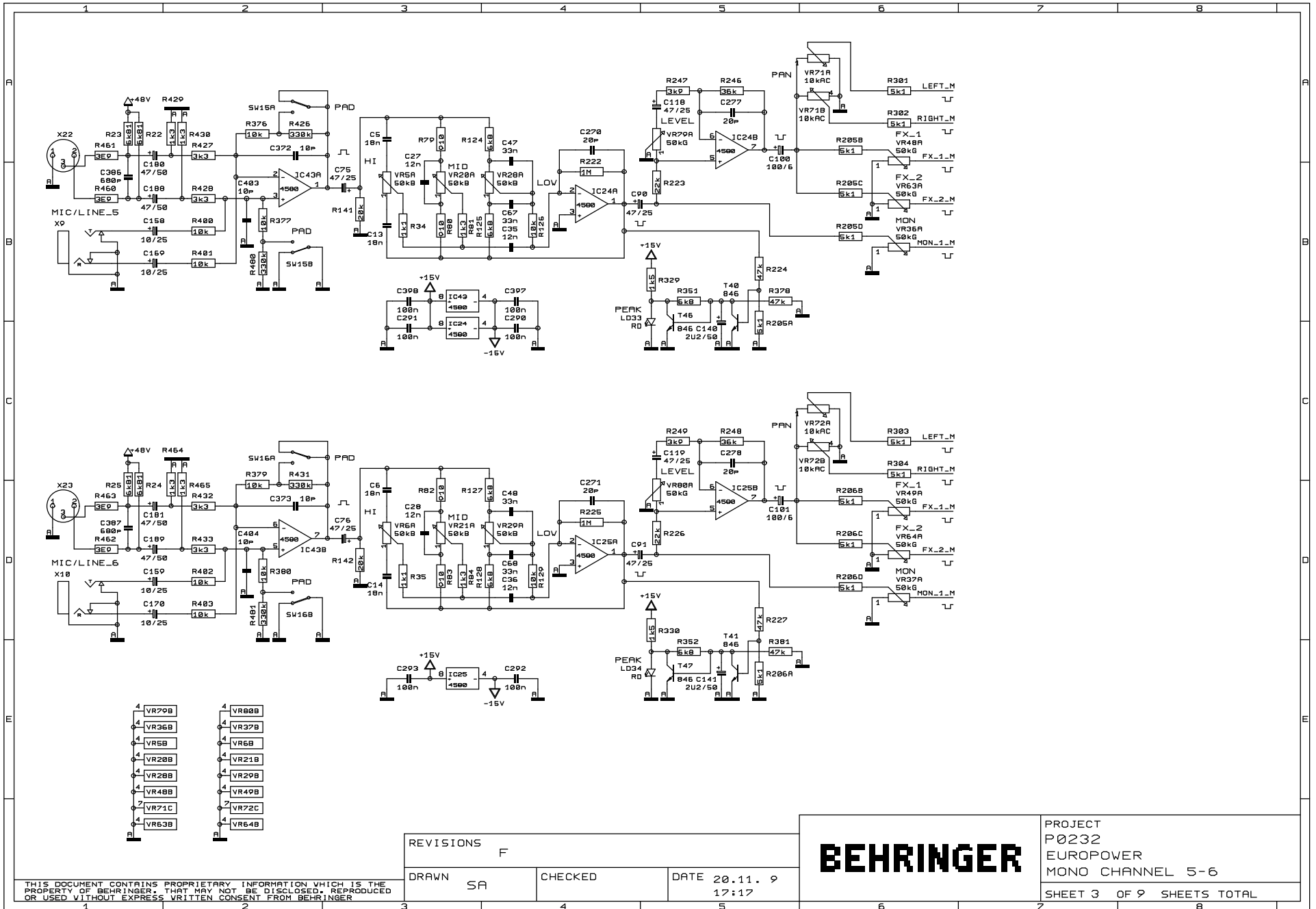
REVISIONS			F
DRAWN	SA	CHECKED	DATE 20.11. 9 17:17

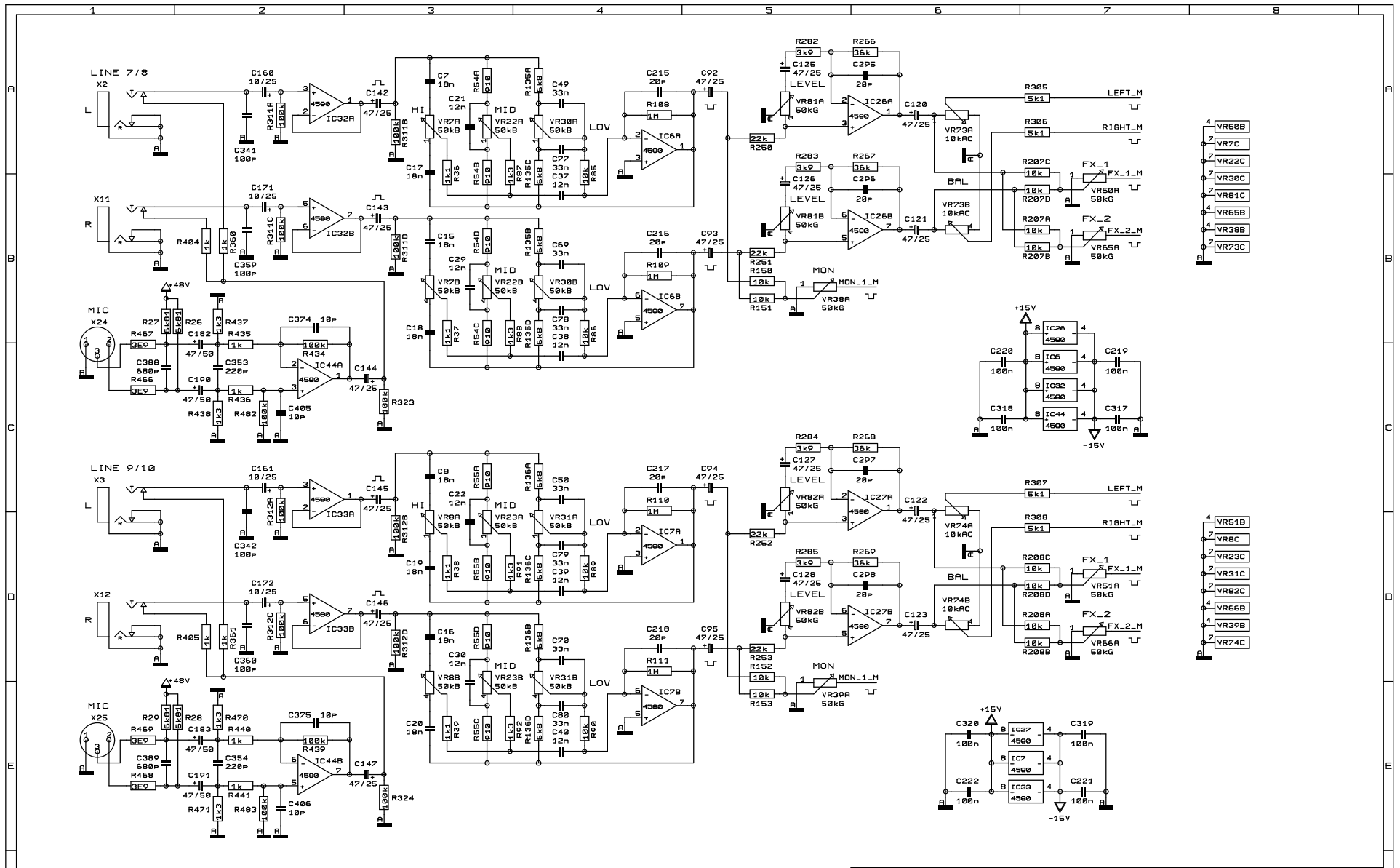
BEHRINGER

PROJECT P0232
EUROPOWER MONO CHANNEL 3-4

SHEET 2 OF 9 SHEETS TOTAL

THIS DOCUMENT CONTAINS PROPRIETARY INFORMATION WHICH IS THE PROPERTY OF BEHRINGER. THAT MAY NOT BE DISCLOSED, REPRODUCED OR USED WITHOUT EXPRESS WRITTEN CONSENT FROM BEHRINGER.





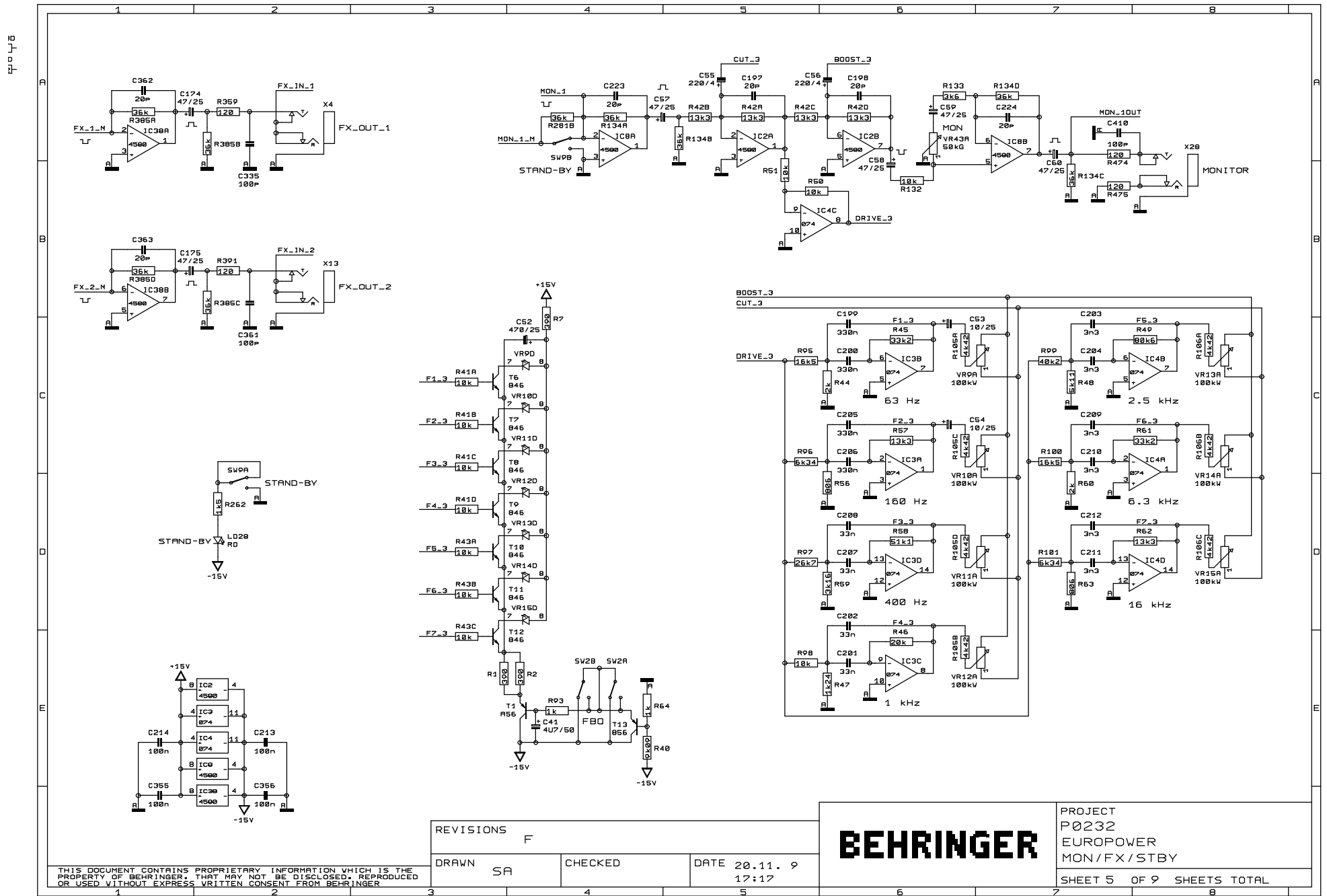
REVISIONS	F		
DRAWN	SA	CHECKED	DATE 20.11. 9 17:17

BEHRINGER

PROJECT P0232
EUROPOWER STEREO CHANNEL 7/8-9/10

SHEET 4 OF 9 SHEETS TOTAL

THIS DOCUMENT CONTAINS PROPRIETARY INFORMATION WHICH IS THE PROPERTY OF BEHRINGER. THAT MAY NOT BE DISCLOSED, REPRODUCED OR USED WITHOUT EXPRESS WRITTEN CONSENT FROM BEHRINGER.

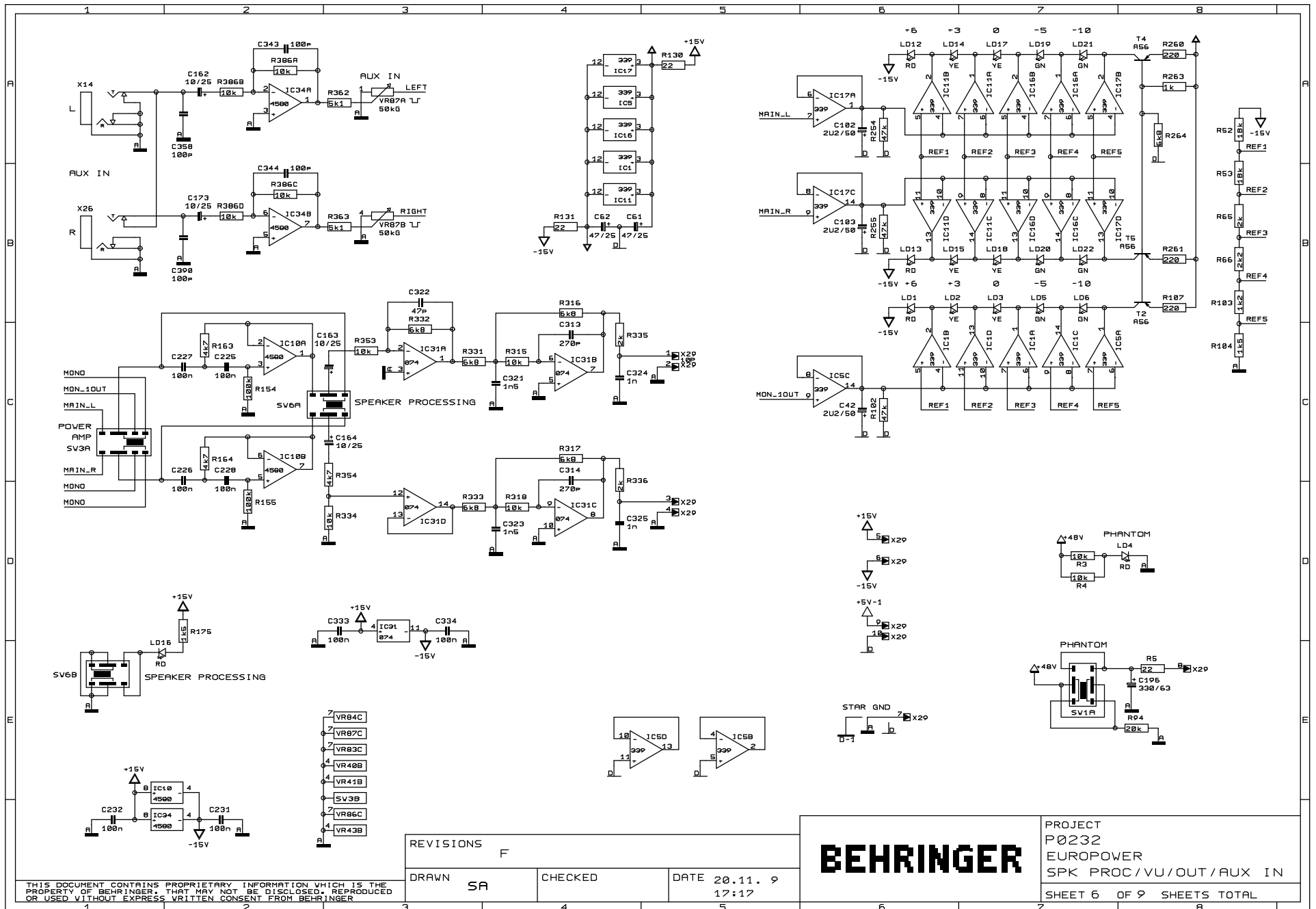


THIS DOCUMENT CONTAINS PROPRIETARY INFORMATION WHICH IS THE PROPERTY OF BEHRINGER. THAT MAY NOT BE DISCLOSED, REPRODUCED OR USED WITHOUT EXPRESS WRITTEN CONSENT FROM BEHRINGER.

REVISIONS	F		
DRAWN	SA	CHECKED	DATE 20.11. 9 17:17

BEHRINGER

PROJECT
P0232
EUROPOWER
MON / FX / STBY
SHEET 5 OF 9 SHEETS TOTAL



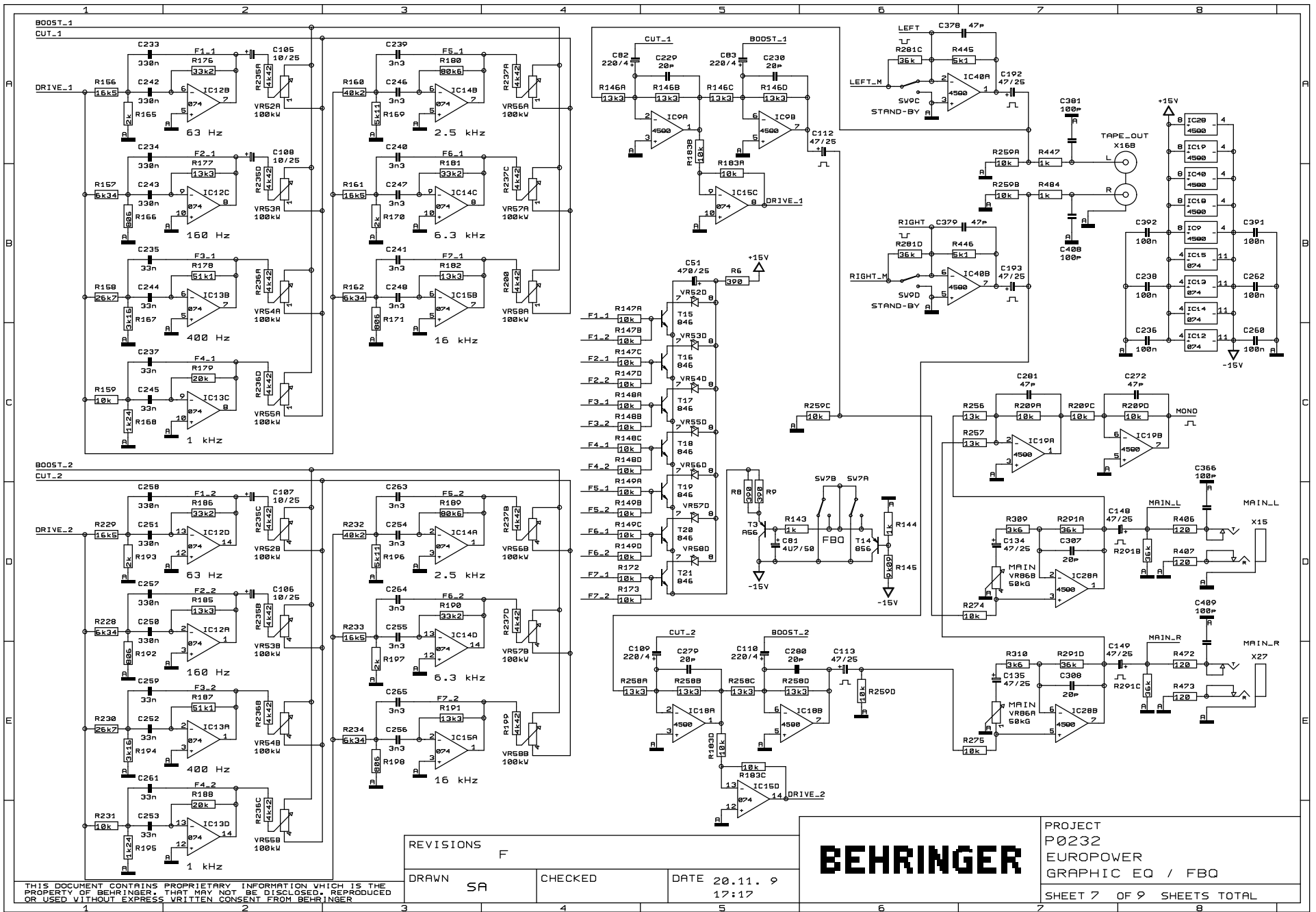
REVISIONS	F		
DRAWN	SA	CHECKED	DATE 20.11. 9 17:17

BEHRINGER

PROJECT P0232
EUROPOWER
SPK PROC/VU/OUT/AUX IN

SHEET 6 OF 9 SHEETS TOTAL

THIS DOCUMENT CONTAINS PROPRIETARY INFORMATION WHICH IS THE PROPERTY OF BEHRINGER. THAT MAY NOT BE DISCLOSED, REPRODUCED OR USED WITHOUT EXPRESS WRITTEN CONSENT FROM BEHRINGER.

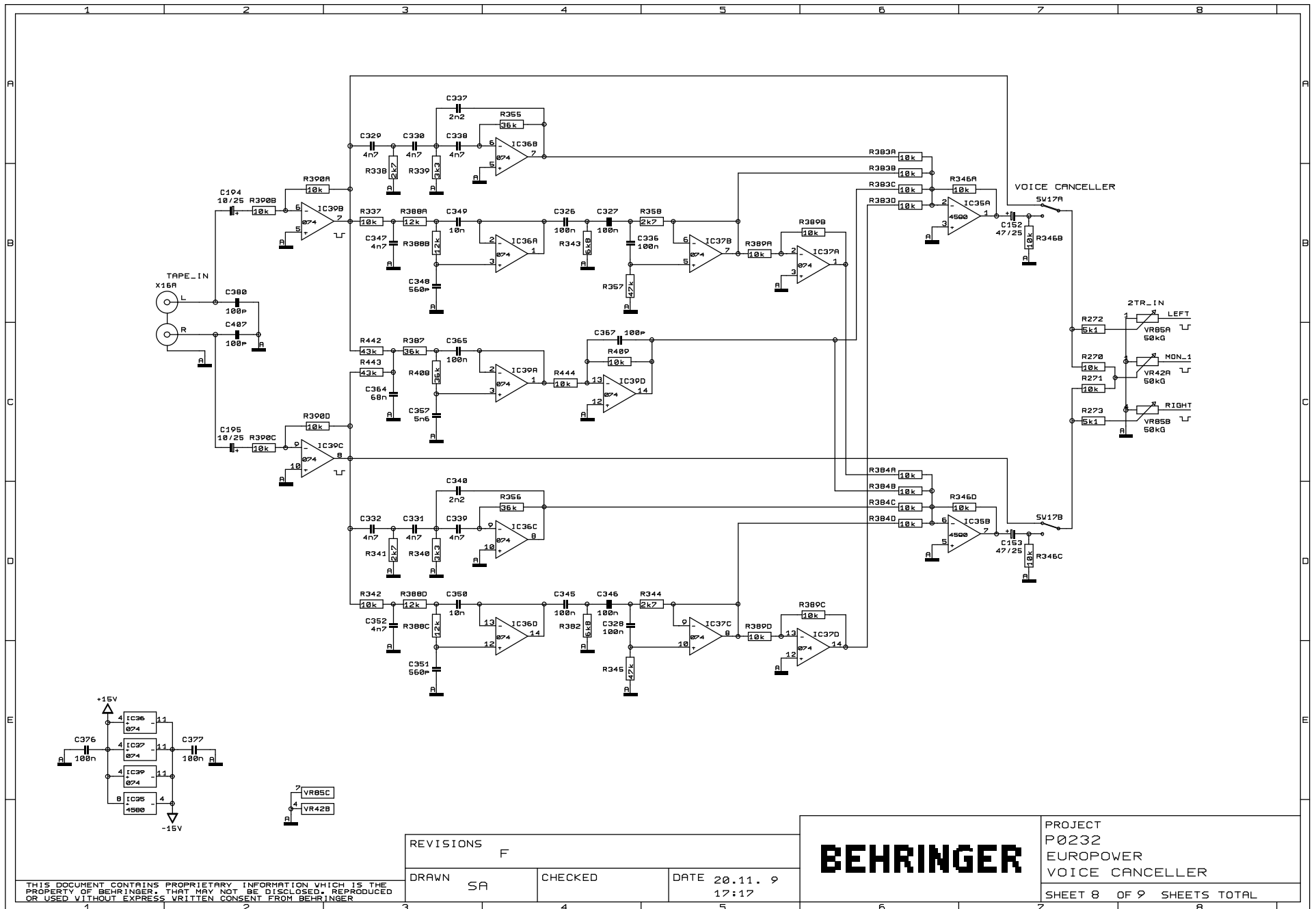


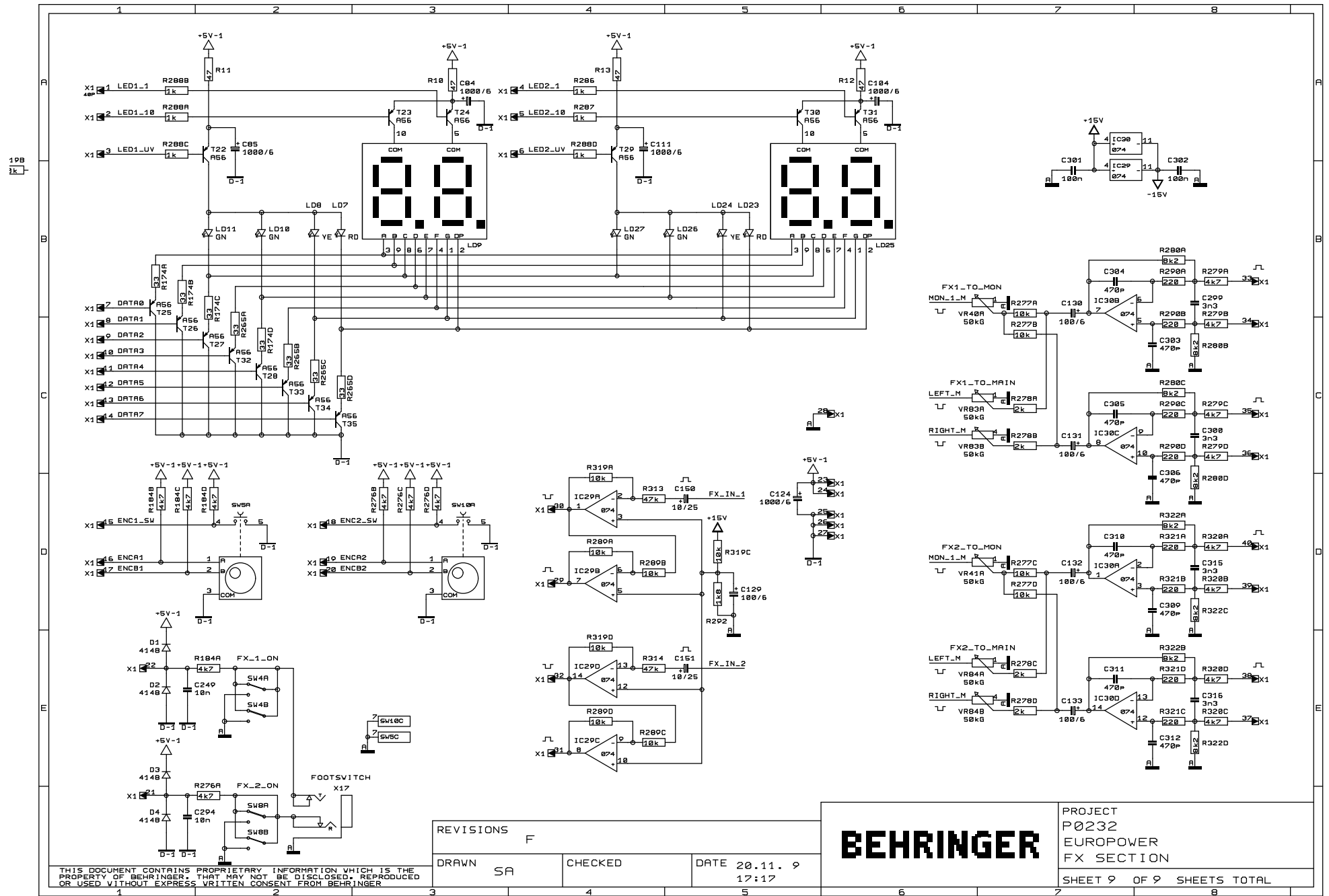
REVISIONS	F
DRAWN	SA
CHECKED	
DATE	20.11. 9
	17:17

BEHRINGER

PROJECT P0232
 EUROPOWER GRAPHIC EQ / FBQ
 SHEET 7 OF 9 SHEETS TOTAL

THIS DOCUMENT CONTAINS PROPRIETARY INFORMATION WHICH IS THE PROPERTY OF BEHRINGER. THAT MAY NOT BE DISCLOSED, REPRODUCED OR USED WITHOUT EXPRESS WRITTEN CONSENT FROM BEHRINGER.





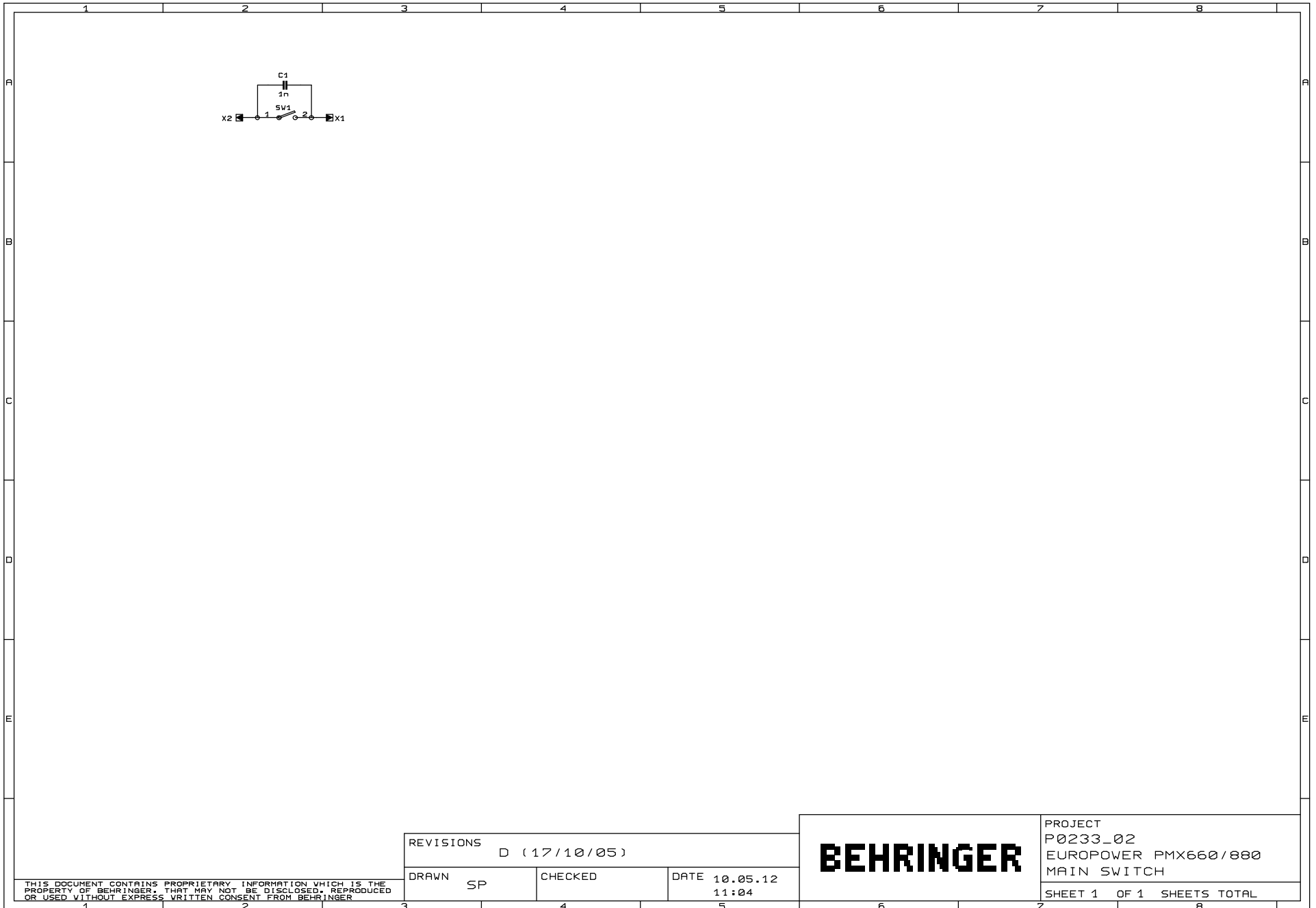
REVISIONS	F
DRAWN	SA
CHECKED	
DATE	20.11. 9
	17:17

BEHRINGER

PROJECT
P0232
EUROPOWER
FX SECTION

SHEET 9 OF 9 SHEETS TOTAL

THIS DOCUMENT CONTAINS PROPRIETARY INFORMATION WHICH IS THE PROPERTY OF BEHRINGER. THAT MAY NOT BE DISCLOSED, REPRODUCED OR USED WITHOUT EXPRESS WRITTEN CONSENT FROM BEHRINGER.



REVISIONS		
D (17/10/05)		
DRAWN	CHECKED	DATE
SP		10.05.12 11:04

BEHRINGER	PROJECT
	P0233_02
	EUROPOWER PMX660/880 MAIN SWITCH
SHEET 1 OF 1 SHEETS TOTAL	

THIS DOCUMENT CONTAINS PROPRIETARY INFORMATION WHICH IS THE PROPERTY OF BEHRINGER. THAT MAY NOT BE DISCLOSED, REPRODUCED OR USED WITHOUT EXPRESS WRITTEN CONSENT FROM BEHRINGER.

Pcbs

	Quantity	Item	Rev	Description	Reference Designators	Notes
1	1.0000	G40-00000-22079		MAIN-PCB;2 LAYER;FR-4;PMH880S;REV:F;NO:505090;PCB AUTO INSERT	[PMH880S:1: {1.0}()]	
2	1.0000	G40-00000-22185		PCB;2 LAYER;FR-4;DPXV;REV:B;NO:610020;PCB AUTO INSERT	[DPXV:00: {1.0}]	
3	1.0000	G43-23302-01211		PSU2-PCB02;1 LAYER;CEM-1;PMX660M PMH880S;REV:D;NO:517100	[2: {1.0}]	
4	1.0000	G40-23306-01048		PCB;OUTPUT-PCB;2 LAYER;FR-4;PMH;REV:B;NO:514120	[P0A8M:00: {1.0}]	(EU, UL, JP, UK, SAA, BR, AR)
5	1.0000	G40-00000-21971		PCB;2 LAYER;P0A80;909090;SMPSU29 PSU;RevB;PCB AUTO INSERT	[SMPSU29:00: {1.0}]	(EU, UL, JP, UK, SAA, BR, AR)
6	1.0000	G42-00000-22263		PCB;4 LAYER;P0A80;910200;HCA2500;C;AMP;PCB AUTO INSERT	[P0A80:00: {1.0}()]	(EU, UL, JP, UK, SAA, BR, AR)
7	1.0000	G40-00000-02167		PCB;2 LAYER;COM;917090;EMC1	[00000: {1.0}]	(EU, UL, JP, UK, SAA, BR, AR)

Assembly

	Quantity	Item	Rev	Description	Reference Designators	Notes
1	2.0000	A31-00000-41539		FAN;BRUSHLESS;24V/90MA;cable:200mm		(EU, UL, JP, UK, SAA, BR, AR)

Cable

	Quantity	Item	Rev	Description	Reference Designators	Notes
1	2.0000	A77-40035-85901		CABLE;STRANDWIRE;LENGTH:400mm;ZEE;AWG:16;UL1672;S/T LENGTH:5mm;AMP-CON 6mm3 ISO;COLOR:BLACK		
2	1.0000	A85-00100-15443		WIRE HARNESS;SPECIAL;PITCH:2mm;AWG 22;HOUSING 10POLE+(FLAT 200mm+HOUSING 6POLE)+(2xSHIELDED WIRE 430mm+HOUSING 4POLE);6 POLE CONN PIN1 RED/OTHERS BLK;DST.NO:001;DPT.NO:15443		
3	1.0000	A77-30025-13999		CABLE;STRANDWIRE;LENGTH:300mm;AWG:16;UL1015;STRIP/TIN:5mm;AMP CON 6mm3 ISO;COLOR:BLU/BLK/RED		(EU, UL, JP, UK, SAA, BR, AR)
4	1.0000	A76-18050-47490		CABLE;AC-CORD;LENGTH:180cm;VERSION:SAA;PLUG:HE105 ISOLATED;SAA H05VV-F 3x0.75mm2;CONN.HP-3;SPEC.NO:47490		(SAA)
5	1.0000	A77-00000-02489		CABLE;STRANDWIRE;AWG:16;UL1672;COMMON;260MM;RD/BK;S-T;AMP6.3	[00000: {1.0}()]	(EU, UL, JP, UK, SAA, BR, AR)
6	1.0000	A76-15032-55649		CABLE;AC-CORD;CLASS II;W/POLYBAG;JAPAN;LENGTH:150cm;POLES:3;APPROVAL:PSE;JS1553 + VCTF 3x0.75mm2 + V1528		(JP)
7	1.0000	A77-18027-92208		CABLE;STRANDWIRE;LENGTH:180mm;ZEE;AWG:18;UL1015;STRIP-TIN/LUG 4mm3;S/T LENGTH:7mm;COLOR:YEL/GRN		(EU, UL, JP, UK, SAA, BR, AR)
8	1.0000	A76-15212-03119		CABLE;AC-CORD;W/POLYBAG;LENGTH:152cm;H05VV-F 3G 0.75MM2;VERSION;EU;SPEC.NO:03119		(EU)
9	2.0000	A77-20025-86910		CABLE;STRANDWIRE;LENGTH:200mm;ZEE;AWG:16;UL1015;STRIP/TIN:5mm;AMP CON 6mm3 ISO;COLOR:BLK/RED		(EU, UL, JP, UK, SAA, BR, AR)
10	1.0000	A76-15222-06417		CABLE;AC-CORD;W/POLYBAG;LENGTH:152cm;AWG:18;VERSION;UL;SPEC.NO:06417		(UL)
11	1.0000	A81-45031-06042		WIRE HARNESS;LENGTH:450mm;AWG:26;P:2mm0;HOUSING-BOARD IN CONNECTOR;POLES:10;PIN1 RED/OTHERS BLK	[SMPSU29:00: {1.0}()]	(EU, UL, JP, UK, SAA, BR, AR)
12	1.0000	A76-15042-05624		CABLE;AC-CORD;W/POLYBAG;LENGTH:150cm;H05VV-F3G0.75MM2;VERSION;UK;SPEC.NO:05624		(UK)
13	1.0000	A76-00000-13573		CABLE;AC-CORD;3;AR;1500 MM;Plug + Connector:321+730;H05VV-F 3G0.75		(AR)
14	1.0000	A76-00000-05305		CABLE;AC-CORD;3;BR;1500 MM;Plug + Connector:375+730;H05VV-F 3G0.75		(BR)

Circuit Protector

	Quantity	Item	Rev	Description	Reference Designators	Notes
1	1.0000	B22-01516-30001		FUSE;6A3;250V;SLOW BLOW;H-TYPE;5mm x 20mm		(EU, UK, SAA, AR)
2	1.0000	B22-01514-10001		FUSE;10A;250V;SLOW BLOW;H-TYPE;5mm x 20mm		(UL, JP, BR)

Coil

	Quantity	Item	Rev	Description	Reference Designators	Notes
1	4.0000	B39-00000-03394		COIL;SMD;BEAD;SMD0805;(BLM21BD751SN1D)	[DPXV:00: {4.0}()]	
2	5.0000	B37-01603-04435		COIL;CHOKE;1uH6;UL TUBE:5 x 16m;WIRE DIA:2UEW0mm6;9.5TURNS	[SMPSU29:00: {5.0}()]	(EU, UL, JP, UK, SAA, BR, AR)
3	2.0000	B37-12105-06269		COIL;CHOKE;21uH;T130-2	[P0A80:00: {2.0}()]	(EU, UL, JP, UK, SAA, BR, AR)
4	1.0000	B37-31505-06266		COIL;CHOKE;1mH5;T31X19X13	[P0A80:00: {1.0}()]	(EU, UL, JP, UK, SAA, BR, AR)
5	3.0000	B44-31500-04970		FERRITE BEAD;RH3.5*0.8*4.7-F5B	[SMPSU29:00: {3.0}()]	(EU, UL, JP, UK, SAA, BR, AR)
6	1.0000	B37-31002-06265		COIL;CHOKE;1mH;T12.7X7.9X6.35	[SMPSU29:00: {1.0}()]	(EU, UL, JP, UK, SAA, BR, AR)
7	2.0000	B37-11002-06270		COIL;CHOKE;10uH;CS229060	[P0A80:00: {2.0}()]	(EU, UL, JP, UK, SAA, BR, AR)
8	1.0000	B37-41000-00750		COIL;10mH;5A;DC RESISTANCE:70mohm;FOOTPRINT:15mm x 29mm;CM;250VAC/VDC;WIRE DIA:0mm8	[00000: {1.0}()]	(EU, UL, JP, UK, SAA, BR, AR)
9	1.0000	B37-35005-06267		COIL;CHOKE;5mH;T31X19X13	[SMPSU29:00: {1.0}()]	(EU, UL, JP, UK, SAA, BR, AR)
10	1.0000	B37-35000-00751		COIL;5mH;5A;DC RESISTANCE:40mohm;FOOTPRINT:15mm x 29mm;CM;250VAC/VDC;WIRE DIA:0mm8	[00000: {1.0}()]	(EU, UL, JP, UK, SAA, BR, AR)
11	1.0000	B37-01502-06268		COIL;CHOKE;1uH5;UU-9.8	[SMPSU29:00: {1.0}()]	(EU, UL, JP, UK, SAA, BR, AR)

Connector

	Quantity	Item	Rev	Description	Reference Designators	Notes
1	8.0000	B95-01340-03300		CONNECTOR;XLR;SOCKET;FEMALE;STRAIGHT;POLES:3	[PMH880S:1: {8.0}{}]	
2	9.0000	B84-39000-03120		CONNECTOR;AMP;PCB;PCB MOUNT;PITCH:5mm;WIDTH:6mm3	[2: {2.0}{}] [00000: {2.0}{}] [SMPSU29:00: {5.0}{}]	(EU, UL, JP, UK, SAA, BR, AR)
3	1.0000	B93-60700-03161		CONNECTOR;BARE JUMPER;WIRE DIAMETER:0mm7;LENGTH:7mm		(EU, UK, SAA, AR)
4	4.0000	B93-00000-17611		BARE WIRE;2;BULK;L:13mm; 3mm TINED *2; PEW 155	[P0A8M:00: {4.0}{}]	(EU, UL, JP, UK, SAA, BR, AR)
5	2.0000	B84-39000-03120		CONNECTOR;AMP;PCB;PCB MOUNT;PITCH:5mm;WIDTH:6mm3	[2: {2.0}{}]	(CCC)
6	2.0000	B93-60700-03161		CONNECTOR;BARE JUMPER;WIRE DIAMETER:0mm7;LENGTH:7mm		(UL, JP, BR)
7	4.0000	B84-39000-26095		CONNECTOR;AMP;PCB;PCB MOUNTANGLED;PITCH:5mm;WIDTH:6mm3	[P0A8M:00: {4.0}{}]	(EU, UL, JP, UK, SAA, BR, AR)
8	4.0000	B93-00000-05160		X:CONN;2;15 MM;DIA:1mm;PIN LENGTH:3.3mm	[SMPSU29:00: {4.0}{}]	(EU, UL, JP, UK, SAA, BR, AR)
9	2.0000	B80-14440-01101		CONNECTOR;SPEAKON;MALE;STRAIGHT;POLES:4;STYLE: NL4MDV;(CHUN-SHENG HP-01-EP)		(EU, UL, JP, UK, SAA, BR, AR)

Diode

	Quantity	Item	Rev	Description	Reference Designators	Notes
1	4.0000	C13-45110-01500		DIODE;DPG15I200PA;TO220AC	[SMPSU29:00: {4.0}{}]	(EU, UL, JP, UK, SAA, BR, AR)
2	2.0000	C11-08000-20063		DIODE;1.5KE200A;DO201AD	[SMPSU29:00: {2.0}{}]	(EU, UL, JP, UK, SAA, BR, AR)
3	1.0000	C11-20370-00124		DIODE;GP;GS1G;400V;1A;DO-214AC;SMD	[SMPSU29:00: {1.0}{}]	(EU, UL, JP, UK, SAA, BR, AR)
4	7.0000	C13-20430-03403		DIODE;ES3D;DO-214AB	[P0A80:00: {4.0}{}] [SMPSU29:00: {3.0}{}]	(EU, UL, JP, UK, SAA, BR, AR)
5	12.0000	C11-09014-14802		DIODE;LL4148;LL34;TEMIC OR FC	[DPXV:00: {8.0}{}] [PMH880S:1: {4.0}{}]	(CCC)
6	1.0000	C12-14200-24003		DIODE;ZMM24V0;SMD1206	[SMPSU29:00: {1.0}{}]	(EU, UL, JP, UK, SAA, BR, AR)
7	2.0000	C12-14200-15003		DIODE;ZMM15V0;SMD1206	[P0A80:00: {2.0}{}]	(EU, UL, JP, UK, SAA, BR, AR)
8	3.0000	C11-19601-10050		DIODE;MBRS1100T3;ON-SEMI	[SMPSU29:00: {3.0}{}]	(EU, UL, JP, UK, SAA, BR, AR)
9	2.0000	C13-20400-00102		DIODE;US1J;DO-214AC;SMD	[SMPSU29:00: {2.0}{}]	(EU, UL, JP, UK, SAA, BR, AR)
10	34.0000	C11-09014-14802		DIODE;LL4148;LL34;TEMIC OR FC	[DPXV:00: {8.0}{}] [PMH880S:1: {4.0}{}] [P0A80:00: {11.0}{}] [SMPSU29:00: {11.0}{}]	(EU, UL, JP, UK, SAA, BR, AR)
11	6.0000	C14-20430-00024		DIODE;SUPERFAST;ES1D;200V;1A;15NS;DO-214AC;SMD	[P0A80:00: {6.0}{}]	(EU, UL, JP, UK, SAA, BR, AR)
12	8.0000	C11-07030-09902		DIODE;BAV99;SOT23	[P0A80:00: {8.0}{}]	(EU, UL, JP, UK, SAA, BR, AR)
13	1.0000	C12-14200-05103		DIODE;ZMM05V1;SMD1206	[SMPSU29:00: {1.0}{}]	(EU, UL, JP, UK, SAA, BR, AR)
14	10.0000	C10-18700-54083		DIODE;SCHOTTKY;SS0540;SOD123;SMD	[P0A80:00: {4.0}{}] [SMPSU29:00: {6.0}{}]	(EU, UL, JP, UK, SAA, BR, AR)

Display

	Quantity	Item	Rev	Description	Reference Designators	Notes
1	2.0000	C28-00000-35262		DISPLAY;LED;Pattern:8.8;.0.3 IN;AMBER;COMMON ANODE;2 plastic pin holder	[PMH880S:1: {2.0}{}]	

Hardware

	Quantity	Item	Rev	Description	Reference Designators	Notes
1	1.2980	F84-03000-01090		SCREWLOCK;SPEC.NO:01090		
2	18.0000	F85-09520-44755		HEX. NUT;FOR JACK;M 3/8in;HEXWRENCH:11mm;THICKNESS:2mm;SURFACE:N ICKEL/SLV		
3	4.0000	F88-30060-30291		SCREW;M3mm*6mm;HEAD:PAN;INSERT:PHILIPS REC.;SURFACE:SILVER/ZINC	[PMH880S:1: {4.0}]	
4	18.0000	F88-30060-30297		SCREW;M3mm*6mm;HEAD:PAN;INSERT:PHILLIPS REC.;SURFACE:BLACK/ZINC	[PMH880S:1: {9.0}]	
5	17.0000	F88-30080-30247		SCREW;BT3mm*8mm;HEAD:PAN;INSERT:PHILLIPS REC.;SURFACE:BLACK/ZINC		
6	4.0000	F88-40080-30291		SCREW;M4mm*8mm;HEAD:PAN;INSERT:PHILIPS REC.;SURFACE:SILVER/ZINC		
7	1.0000	F88-40220-30297		SCREW;M4mm*22mm;HEAD:PAN;INSERT:PHILIPS REC.;SURFACE:BLACK/ZINC		
8	1.0000	F90-00800-11542		SHIELDING PLATE;P0725;FRONT;DST.NO:008;DPT.NO:11542;(PMX8 80S-TOPSHIELD-REVH.DWG)		
9	1.0000	F91-02030-05793		SILICA GEL;MASS;30g;SPEC.NO:30QB-BB2001-4		
10	2.0000	F94-30110-30000		STUD;THREAD-DIA;3mm;LENGTH:11mm;INT/INT	[PMH880S:1: {2.0}]	
11	14.0000	F94-30138-30000		STUD;THREAD-DIA;3mm;LENGTH:13mm8;INT/INT	[PMH880S:1: {9.0}]	
12	5.0000	F94-30200-15000		STUD;THREAD- DIA;3mm;LENGTH:20mm;EXT/INT;EXT;5mm		
13	18.0000	F96-10961-30505		WASHER;PLAIN;INNER DIA:9mm6;OUTER DIA:13mm;THICKNESS;0mm5;PLATING:NICKEL		
14	3.0000	F97-00100-00481		SHEET;PMX880S;SLIDE- SWITCH;PVC;DST.NO:001;DPT.NO:00481;(PMX880S- SLIDE-SWPVC-SHEET-REVA.DWG)		
15	2.0000	F88-60180-20297		SCREW;M6mm*18mm;HEAD:BINDING;INSERT:PHILIPS REC.;SURFACE:BLACK/ZINC		(EU, UL, JP, UK, SAA, BR, AR)
16	2.0000	F88-30120-30247		SCREW;BT3mm*12mm;HEAD:PAN;INSERT:PHILIPS REC.;SURFACE:BLACK/ZINC		(UL, BR)
17	1.0000	F97-00100-15392		FILM;P0A8M;PROTECTIVE;DST.NO:001;DPT.NO:15392;(P 0A8M_PROTECTIVE-FOIL_REVA)		(EU, UL, JP, UK, SAA, BR, AR)
18	5.4000	F84-01800-09286		THERM-GREASE;COLOR:WHT;SPEC.NO:09286	[P0A80:00: {2.4}] [SMPSU29:00: {3.0}]	(EU, UL, JP, UK, SAA, BR, AR)
19	0.0250	F95-20005-00000		SHRINKING TUBE;INNER DIA:20mm;THICKNESS:0mm5	[SMPSU29:00: {0.025}()]	(EU, UL, JP, UK, SAA, BR, AR)
20	2.0000	F88-03124-2029A		SCREW;M3mm*12mm;HEAD:PAN SPRING WASHER;INSERT:PHILIPS REC;SURFACE:SILVER/NIC.	[SMPSU29:00: {2.0}()]	(EU, UL, JP, UK, SAA, BR, AR)
21	10.0000	F98-04400-27886		BUSHING;MINIATURE;NYLON;DWG.NO:27886;(R20-SC- PLA_NYLBUSHM3x1_4.DWG)	[P0A80:00: {4.0}()]	(EU, UL, JP, UK, SAA, BR, AR)

	Quantity	Item	Rev	Description	Reference Designators	Notes
					[SMPSU29:00: {6.0}()]	
22	6.0000	F89-43000-00002		INSULATION SHEET;GLIMMER;TO220 W/HOLE;HOLE-DIAMETER:3MM1 (IN-GLTO220_3MM1-REVA.DWG)	[SMPSU29:00: {6.0}()]	(EU, UL, JP, UK, SAA, BR, AR)
23	5.0000	F88-30080-30297		SCREW;M3mm*8mm;HEAD:PAN;INSERT:PHILLIPS REC.;SURFACE:BLACK/ZINC		(EU, UL, JP, UK, SAA, BR, AR)
24	6.0000	F88-30100-30211		SCREW;A3mm*10mm;HEAD:PAN;INSERT:CROSS;SURFACE:SILVER/ZINC	[SMPSU29:00: {6.0}()]	(EU, UL, JP, UK, SAA, BR, AR)
25	12.0000	F88-03104-2029A		SCREW;M3mm*10mm;HEAD:PAN SPRING WASHER;INSERT:PHILIPS REC.;SURFACE:SILVER/NIC	[POA80:00: {4.0}()] [SMPSU29:00: {8.0}()]	(EU, UL, JP, UK, SAA, BR, AR)
26	6.0000	F99-30107-06302		SCREW; M3mm*10mm; PITCH:0mm5; SURFACE:BLACK/ZINC; DWG.NO:06302; (R14-DX100-SCREW-REVA.DWG)		(EU, UL, JP, UK, SAA, BR, AR)
27	19.0000	F88-40120-30297		SCREW;M4mm*12mm;HEAD:PAN;INSERT:PHILIPS REC.;SURFACE:BLACK/ZINC		(EU, UL, JP, UK, SAA, BR, AR)
28	2.0000	F88-30080-30291		SCREW;M3mm*8mm;HEAD:PAN;INSERT:PHILIPS REC.;SURFACE:ZINC		(EU, UL, JP, UK, SAA, BR, AR)
29	2.0000	F88-30081-60297		SCREW;M3mm*8mm;HEAD:TRUSS;DIA 5mm2;INSERT:PHILIPS REC.;SURFACE:BLACK/ZINC		(EU, UL, JP, UK, SAA, BR, AR)
30	4.0000	F96-20400-70170		WASHER;SPRING;INNER DIA:4mm;OUTER DIA:7mm;THICKNESS;1mm7		(EU, UL, JP, UK, SAA, BR, AR)
31	8.0000	F88-40120-30297		SCREW;M4mm*12mm;HEAD:PAN;INSERT:PHILIPS REC.;SURFACE:BLACK/ZINC		(CCC)
32	9.0000	F88-40080-30297		SCREW;M4mm*8mm;HEAD:PAN;INSERT:PHILIPS REC.;SURFACE:BLACK/ZINC		(EU, UL, JP, UK, SAA, BR, AR)
33	6.0000	F96-20300-70170		WASHER;SPRING;INNER DIA:3mm;OUTER DIA:7mm;THICKNESS;1mm7		(EU, UL, JP, UK, SAA, BR, AR)
34	8.0000	F88-50150-20247		SCREW;BT5mm*15mm;HEAD:BINDING;INSERT:PHILIPS REC.;SURFACE:BLACK/ZINC		(EU, UL, JP, UK, SAA, BR, AR)
35	4.0000	F88-03084-2029A		SCREW;M3mm*8mm;HEAD:PAN SPRING WASHER;INSERT:PHILIPS REC.;SURFACE:SILVER/NIC	[POA80:00: {2.0}()] [SMPSU29:00: {2.0}()]	(EU, UL, JP, UK, SAA, BR, AR)
36	4.0000	F85-04000-44001		HEX. NUT;INNER DIA;M4mm;SURFACE:ZINC		(EU, UL, JP, UK, SAA, BR, AR)
37	14.0000	F88-30061-60297		SCREW;M3mm*6mm;HEAD:TRUSS DIA 5mm2;INSERT:PHILIPS REC.;SURFACE:BLACK/ZINC		(CCC)
38	2.0000	F83-04000-00021		CABLE TIE;NYLON;4in;COLOR:		(EU, UL, JP, UK, SAA, BR, AR)
39	5.0000	F88-40080-30297		SCREW;M4mm*8mm;HEAD:PAN;INSERT:PHILIPS REC.;SURFACE:BLACK/ZINC		(CCC)
40	17.0000	F88-30061-60297		SCREW;M3mm*6mm;HEAD:TRUSS DIA 5mm2;INSERT:PHILIPS REC.;SURFACE:BLACK/ZINC		(EU, UL, JP, UK, SAA, BR, AR)
41	4.0000	F89-07000-06274		INSULATION SHEET;AL OXIDE;TO220;19.4x14x0.6	[POA80:00: {4.0}()]	(EU, UL, JP, UK, SAA, BR, AR)

	Quantity	Item	Rev	Description	Reference Designators	Notes
				REC.;SURFACE:BLACK/ZINC		BR, AR)
43	2.0000	F94-30220-30000		STUD;THREAD-DIA;3mm;LENGTH:22mm;INT/INT		(EU, UL, JP, UK, SAA, BR, AR)
44	1.0000	F94-30242-30000		STUD;THREAD-DIA;3mm;LENGTH:24mm2;INT/INT		(EU, UL, JP, UK, SAA, BR, AR)
45	8.0000	F85-03000-44001		HEX.NUT;INNER DIA;M3mm;SURFACE:ZINC		(EU, UL, JP, UK, SAA, BR, AR)
46	8.0000	F96-40300-60100		WASHER;EXTERNAL TEETH;INNER DIA:3mm;OUTER DIA:6mm;THICKNESS:1mm	[SMPSU29:00: {6.0}{}]	(EU, UL, JP, UK, SAA, BR, AR)
47	13.0000	F88-03064-2029A		SCREW;M3mm*6mm;HEAD:PAN SPRING WASHER;INSERT:PHILIPS REC.;SURFACE:SILVER/NIC		(EU, UL, JP, UK, SAA, BR, AR)
48	2.0000	F89-32020-00152		INSULATION SHEET;GLIMMER;TO247 W/HOLE;HOLE-DIAMETER:3MM1	[SMPSU29:00: {2.0}{}]	(EU, UL, JP, UK, SAA, BR, AR)

Ic

	Quantity	Item	Rev	Description	Reference Designators	Notes
1	2.0000	C60-22422-00528		IC;AD/DA;V4220M;SSOP	[DPXV:00: {2.0}()]	
2	12.0000	C73-31007-40514		IC;OPAMP OPAMP;TL074;SOP;BRAND:ST ONLY	[PMH880S:1: {12.0}()]	
3	2.0000	D12-00100-02217		IC;DIG COMM.;EUROTEC;V1000;SOIC	[DPXV:00: {2.0}()]	
4	1.0000	D24-18016-81844		IC;MICROCONTROLLER;ATMEGA16L-8AC;TQFP44	[DPXV:00: {1.0}()]	
5	1.0000	C77-00107-03115		IC;VOLT.REGULATOR;LM317HVT;TO220	[SMPSU29:00: {1.0}()]	(EU, UL, JP, UK, SAA, BR, AR)
6	5.0000	C78-55133-90514		IC;COMPARATOR;(SGS ONLY);LM339;SOP;SMD	[PMH880S:1: {5.0}()]	(CCC)
7	1.0000	C74-61043-10803		IC;POWER-CONVERSION;VOLT.REFERENCE;TO-92;TL431ACZ	[SMPSU29:00: {1.0}()]	(EU, UL, JP, UK, SAA, BR, AR)
8	2.0000	C77-12107-03110		IC;VOLT.REGULATOR;7812F;FULLPACK;TO220	[P0A8O:00: {2.0}()]	(EU, UL, JP, UK, SAA, BR, AR)
9	33.0000	C73-00000-29050		IC;OPAMP;SMD;SOP;8;BA4580RF	[DPXV:00: {1.0}()] [PMH880S:1: {27.0}()] [P0A8O:00: {5.0}()]	(EU, UL, JP, UK, SAA, BR, AR)
10	2.0000	C71-72008-27408		IC;ADTL082ARZ;SO8	[P0A8O:00: {2.0}()]	(EU, UL, JP, UK, SAA, BR, AR)
11	1.0000	C74-50031-70703		IC;VOLT.REGULATOR;LM317LM;SOIC	[P0A8O:00: {1.0}()]	(EU, UL, JP, UK, SAA, BR, AR)
12	1.0000	D24-16055-67414		IC;DUAL TIMER;NE556D;SO14	[SMPSU29:00: {1.0}()]	(EU, UL, JP, UK, SAA, BR, AR)
13	6.0000	C78-55133-90514		IC;COMPARATOR;(SGS ONLY);LM339;SOP;SMD	[PMH880S:1: {5.0}()] [SMPSU29:00: {1.0}()]	(EU, UL, JP, UK, SAA, BR, AR)
14	28.0000	C73-00000-29050		IC;OPAMP;SMD;SOP;8;BA4580RF	[DPXV:00: {1.0}()] [PMH880S:1: {27.0}()]	(CCC)
15	1.0000	C77-12207-03110		IC;VOLT.REGULATOR;7912F;FULLPACK;TO220	[P0A8O:00: {1.0}()]	(EU, UL, JP, UK, SAA, BR, AR)
16	1.0000	C73-22370-00516		IC;OPAMP OPAMP;V13700M;SOP	[P0A8O:00: {1.0}()]	(EU, UL, JP, UK, SAA, BR, AR)
17	1.0000	C74-50033-70703		IC;VOLT.REGULATOR;LM337LM;SOIC	[P0A8O:00: {1.0}()]	(EU, UL, JP, UK, SAA, BR, AR)
18	1.0000	C74-55031-71403		IC;VOLT.REGULATOR;LM317F;TO220 FULL	[SMPSU29:00: {1.0}()]	(EU, UL, JP, UK, SAA, BR, AR)
19	2.0000	C78-55031-10508		IC;COMPARATOR;LM311;SOP	[P0A8O:00: {1.0}()] [SMPSU29:00: {1.0}()]	(EU, UL, JP, UK, SAA, BR, AR)
20	1.0000	C71-20352-50116		IC;DRIVER VOLTAGE-MODE PWM CONTROLLER;KA3525A;DIP	[SMPSU29:00: {1.0}()]	(EU, UL, JP, UK, SAA, BR, AR)
21	1.0000	C77-05107-03015		IC;VOLT.REGULATOR;VOLT.REG;5V;TO220-3;AZ1086	[SMPSU29:00: {1.0}()]	(EU, UL, JP, UK, SAA,

	Quantity	Item	Rev	Description	Reference Designators	Notes
						BR, AR)
22	2.0000	D28-64295-72216		IC;IRS20957S;SOIC	[P0A80:00: {2.0}()]	(EU, UL, JP, UK, SAA, BR, AR)
23	1.0000	C75-00226-90508		IC;PWM;OB2269C;SOP8	[SMPSU29:00: {1.0}()]	(EU, UL, JP, UK, SAA, BR, AR)

Led

	Quantity	Item	Rev	Description	Reference Designators	Notes
1	4.0000	E10-33565-00578		LED;HIGH BRIGHT;2mm x 5mm;GN	[PMH880S:1: {4.0}()]	
2	2.0000	E10-39585-00580		LED;HIGH BRIGHT;2mm x 5mm;YE	[PMH880S:1: {2.0}()]	
3	6.0000	E10-53565-00588		LED;HIGH BRIGHT;3mm ROUND;GN	[PMH880S:1: {6.0}()]	
4	6.0000	E10-59585-00592		LED;HIGH BRIGHT;3mm ROUND;YE	[PMH880S:1: {6.0}()]	
5	2.0000	E12-37630-00579		LED;2mm x 5mm;RD	[PMH880S:1: {2.0}()]	
6	12.0000	E12-57630-00590		LED;3mm ROUND;RD	[PMH880S:1: {12.0}()]	

Manual

	Quantity	Item	Rev	Description	Reference Designators	Notes
1	1.0000	A56-00000-56789		SERVICE INFORMATION SHEET;P0000;EN;Contact Information Sheet;EN;REV:002		
2	1.0000	A57-00003-12001		PRODUCT LEAFLET;FOR 2008 FULL LINE CATALOG		
3	1.0000	A50-00000-27860		MANUAL;P0569;EU;QSG;REV:003		(EU)
4	1.0000	A52-00000-42338		WARRANTY CARD;P0000;EN;REV:001		(AR)
5	1.0000	A50-00000-27858		MANUAL;P0569;EN;QSG;REV:003		(EU, UL, UK, SAA, BR, AR)
6	1.0000	A50-00000-27869		MANUAL;P0569;ZH;QSG;REV:002		(CCC)
7	1.0000	A52-00000-40142		WARRANTY CARD;P0000;JA;DATE:01.07.2011;REVD		(JP)
8	1.0000	A50-00000-27864		MANUAL;P0569;JA;QSG;REV:003		(JP)

Metal Part

	Quantity	Item	Rev	Description	Reference Designators	Notes
1	1.0000	A62-00300-14098		METAL;POWER BRACKET;P0725;DST.NO:003;DPT.NO:14098;(PMX880S-POWERBRACKET-REVC.DWG)		
2	2.0000	A62-00600-03026		METAL;BRACKET;PMH880S;DST.NO:006;DPT.NO:03026;(PMX880S-BRACKET-REVF.DWG)		
3	1.0000	J02-01100-07579		METAL;FRONT PANEL;P0A8M;PRINTED;FST.NO:011;DPT.NO:07579;(PMX880S-FRONTPANEL-REVG.DWG)		
4	1.0000	J02-00400-11006		METAL;REAR PANEL;P0A8M;PRINTED;FST.NO:004;DPT.NO:11006;(PMX880S-BACKPANEL-REVI.DWG)		(EU, UL, JP, UK, SAA, BR, AR)
5	1.0000	A65-00100-15396		METAL;P0A8M;SHIELD, NOT PRINTED;DST.NO:001;DPT.NO:15396;(P0A8M_BACKSHIELD_REVA)		(EU, UL, JP, UK, SAA, BR, AR)
6	2.0000	A60-00300-00950		METAL;SUPPORT CURVEPLATE;PMX880S;DST.NO:003;DPT.NO:00950;(PMX880S-SUPPORT-CURVEPLATE-REVC.DWG)		(EU, UL, JP, UK, SAA, BR, AR)
7	1.0000	A60-00200-00947		METAL;SUPPORTPLATE;PMX880S;DST.NO:002;DPT.NO:00947;(PMX880S-SUPPORTPLATE-REVB.DWG)		(EU, UL, JP, UK, SAA, BR, AR)
8	1.0000	A63-00000-05577		METAL;HEATSINK;P0A80;PSU;LEFT	[SMPSU29:00: {1.0}]	(EU, UL, JP, UK, SAA, BR, AR)
9	1.0000	A63-00000-05299		METAL;P0A80;ALUMINIUM;HEATSINK;EXTRUSION, CUTTING;NATURAL;REV:D	[P0A80:00: {1.0}()]	(EU, UL, JP, UK, SAA, BR, AR)
10	1.0000	A65-00100-15397		METAL;P0A8M;BAFFLE, NOT PRINTED;DST.NO:001;DPT.NO:15397;(P0A8M_AIR-BAFFLE_REVA)		(EU, UL, JP, UK, SAA, BR, AR)
11	1.0000	A63-00000-05559		METAL;P0A80;HEATSINK;PSU;RIGHT	[SMPSU29:00: {1.0}]	(EU, UL, JP, UK, SAA, BR, AR)

Packaging Part

	Quantity	Item	Rev	Description	Reference Designators	Notes
1	1.0000	G25-00100-02489		POLYFOAM;PMX660M PMX880S;BOTTOM LEFT;DST.NO:001;DPT.NO:02489;(PMX880S-POLYFOAMBOTTOML-REVA.DWG)		
2	1.0000	G25-00100-02490		POLYFOAM;PMX660M PMX880S;BOTTOM RIGHT;DST.NO:001;DPT.NO:02490;(PMX880S-POLYFOAMBOTTOMR-REVA.DWG)		
3	1.0000	G25-00100-02491		POLYFOAM;PMX660M PMX880S;TOP LEFT;DST.NO:001;DPT.NO:02491;(PMX880S-POLYFOAMTOPL-REVA.DWG)		
4	1.0000	G25-00100-02492		POLYFOAM;PMX660M PMX880S;TOP RIGHT;DST.NO:001;DPT.NO:02492;(PMX880S-POLYFOAMTOPR-REVA.DWG)		
5	1.0000	G28-20030-14000		PE BAG;SIZE:3in*14in		
6	1.0000	G28-20090-14010		PE BAG;SIZE:9in*14in;W/WARNING		
7	1.0000	G28-20130-09319		PE BAG;SIZE:13+9*29;W/WARNING		
8	1.0000	I40-00000-01839		MASTER CARTON;POA8M;4C MACA;REV:A		

Plastic Part

	Quantity	Item	Rev	Description	Reference Designators	Notes
1	8.0000	G52-00200-04418		KNOB;POTENTIOMETER;(10);430C;CAP:3035C;DST.NO:002;DPT.NO:04418(PMX-POTKNOB(10)IN-REVB.DWG)		
2	14.0000	G52-00200-08623		KNOB;FADER;FAD30MMKNOB 1;BLACK;DST.NO:002;DPT.NO:08623;(FADERKNOBBLK1-REVB.DWG)		
3	2.0000	G52-00200-10210		ENCODER KNOB;BLACK;DST.NO:002;DPT.NO:10210;(PMX-ENCODERKNOB-REVB.DWG)		
4	10.0000	G52-00200-11002		KNOB;POT;(10);430C;CAP:BLACK;DST.NO:002;DPT.NO:11002;(PMX-POTKNOB(10)IN-REVB.DWG)		
5	9.0000	G52-00200-11004		KNOB;POT;(12);430C;CAP:WHITE;DST.NO:002;DPT.NO:11004;(PMX-POTKNOB(12)IN-REVB.DWG)		
6	10.0000	G52-00200-12257		KNOB;POTENTIOMETER;(10);430C;CAP:194C;DST.NO:002;DPT.NO:12257;(PMX-POTKNOB(10)IN-REVB.DWG)		
7	24.0000	G52-00200-12258		KNOB;POTENTIOMETER;(10);430C;CAP:289C;DST.NO:002;DPT.NO:12258;(PMX-POTKNOB(10)IN-REVB.DWG)		
8	10.0000	G52-00200-12259		KNOB;POTENTIOMETER;(10);430C;CAP:151U;DST.NO:002;DPT.NO:12259;(PMX-POTKNOB(10)IN-REVB.DWG)		
9	1.0000	G52-00200-12286		KNOB;POT;(12);430C;CAP:3035C;DST.NO:002;DPT.NO:12286;(PMX-POTKNOB(12)IN-REVB.DWG)		
10	1.0000	G52-00300-02453		KNOB;PMX-SERIES;GAIN POTENTIOMETER;DST.NO:003;DPT.NO:02453;(PMX-GAINKNOB-REVC.DWG)		
11	9.0000	G52-00500-09353		KNOB;SWITCH;UB-S;DST.NO:005;DPT.NO:09353;(UB-S_SWKNOB-REVE.DWG)		
12	2.0000	G52-00500-11000		KNOB;SWITCH;UB-S;430C;DST.NO:005;DPT.NO:11000;(UB-S_SWKNOB-REVE.DWG)		
13	1.0000	G52-80500-23660		PLASTIC;POWER SWITCH KNOB;PMX2000;DWG.NO:23660;(R20-PMX2000X-POWERKNOB-REVA.DWG)		
14	1.0000	G52-80508-23627		KNOB;SWITCH;UB-L;7mm4;BLACK;DWG.NO:23627(R20-UB-L_SWKNOB-REVB.DWG)		
15	18.0000	G53-00200-11127		LED SPACER;LENGTH:11mm;DST.NO:002;DPT.NO:11127;(R20-ACCESSORY-LEDSPACER-REVB.DWG)	[PMH880S:1: {18.0}]	
16	7.0000	G53-14000-01976		SWITCH SPACER;LENGTH:14mm2;(SWITCHSPACER14_2MM.DWG)		
17	2.0000	G54-07100-01716		PLASTIC;LED BAR;MX1804X;ABS;DWG.NO:01716;(R14-LBAR1804-REVC.DWG)	[PMH880S:1: {2.0}]	
18	1.0000	G58-00200-02027		SWITCH FRAME B;PMX;ABS;COLOR:BLK;DST.NO:002;DPT.NO:02027;(PMX-SWFRAME_B-REVB.DWG)		

	Quantity	Item	Rev	Description	Reference Designators	Notes
19	1.0000	G58-00200-02452		SWITCH INLET;PRO SERIES (POWER SWITCH);SIZE:0in58*0in58;ABS;DST.NO:002;DPT.NO:02452;(PRO-PWRSWIT-REVB.DWG)		
20	6.0000	G58-00300-11128		LED SPACER2;DI100 DSP110;DST.NO:003;DPT.NO:11128;(R14-DI100-LEDSPACER2-REVC.DWG)	[PMH880S:1: {6.0}]	
21	1.0000	G58-00600-03511		TOP COVER;PMH880S;DST.NO:006;DPT.NO:03511;(PMX880S-TOPCOVER-REVF.DWG)		
22	2.0000	I64-00000-37785		PLASTIC;P0568;WINDOW;LED WINDOW;AMBER;C007		
23	1.0000	I68-00200-01990		HANDLE PVC;PMX880S;PRINTED;FST.NO:002;DPT.NO:01990;(PMX880S-HANDLEPVC-REVC.DWG)		(EU, UL, JP, UK, SAA, BR, AR)
24	1.0000	G58-00500-02531		PLASTIC HANDLE;PMX880S;DST.NO:005;DPT.NO:02531;(PMX880S-HANDLE-REVE.DWG)		(EU, UL, JP, UK, SAA, BR, AR)
25	1.0000	G58-00100-14100		PLASTIC;SWITCH COVER;P0569;DST.NO:14100;DPT.NO:14100;(P0569-SWITCH_COVER-REVA.DWG)		(UL, BR)
26	1.0000	G58-01300-23568		RUBBER BUSHING;PMX2000;DWG.NO:23568;(R20-PMX2000-BUSHING-REVA.DWG)		(CCC)
27	2.0000	G58-01300-23568		RUBBER BUSHING;PMX2000;DWG.NO:23568;(R20-PMX2000-BUSHING-REVA.DWG)		(EU, UL, JP, UK, SAA, BR, AR)
28	1.0000	G56-01100-07287		PLASTIC;CABINET;PMH880S;DST.NO:011;DPT.NO:07287;(PMX880S-CABINET-REVK.DWG)		(EU, UL, JP, UK, SAA, BR, AR)
29	4.0000	G58-00100-07892		RUBBER;PROTGUM03;PMH880S;DST.NO:001;DPT.NO:07892;(PMX880S-PROT_GUM03-REVA.DWG)		(EU, UL, JP, UK, SAA, BR, AR)

Plug Socket

	Quantity	Item	Rev	Description	Reference Designators	Notes
1	1.0000	G61-75240-33062		CABLE HEADER;POLES:40;2 ROW;STRAIGHT;PITCH:2mm54;FC-24P	[DPXV:00: {1.0}()]	
2	18.0000	G64-01211-03174		PLUG;JACK STEREO 6mm3;STRAIGHT SOLDER;W/O MET.RNG.;MET.BUSH.;NO NUT/WASHER;(JY-6351G-02-250)	[PMH880S:1: {18.0}()]	
3	1.0000	G68-04004-03284		PLUG;RCA;SOCKET;RCAJACK4P/S;FEMALE;POLES:04;STRAIGHT	[PMH880S:1: {1.0}()]	
4	1.0000	G71-35240-03073		PLUG;PCB;PLUG;PCB SOCKET;POLES:40;2 ROWS;STRAIGHT;PITCH:2mm54;2801-40GS	[PMH880S:1: {1.0}()]	
5	1.0000	G71-23106-04965		PLUG;WAFER;P:2mm;1 ROW;STRAIGHT;POLES:06;TYPE:A2006WV-6P	[SMPSU29:00: {1.0}()]	(EU, UL, JP, UK, SAA, BR, AR)
6	2.0000	G71-23110-04749		PLUG;WAFER;POLES:10;1 ROW;STRAIGHT;PITCH:2mm;TYPE:A2006WV-10P	[PMH880S:1: {1.0}()] [P0A80:00: {1.0}()]	(EU, UL, JP, UK, SAA, BR, AR)
7	1.0000	G71-23110-04749		PLUG;WAFER;POLES:10;1 ROW;STRAIGHT;PITCH:2mm;TYPE:A2006WV-10P	[PMH880S:1: {1.0}()]	(CCC)
8	2.0000	G71-23102-04756		PLUG;WAFER;P:2mm;1 ROW;STRAIGHT;POLES:02;TYPE:A2006WV-2P	[SMPSU29:00: {2.0}()]	(EU, UL, JP, UK, SAA, BR, AR)
9	1.0000	G67-40103-55373		SOCKET;AC;SCREW MOUNT;FUSED;UL94V-0;15A/250VAC;FOR AMP CONN;COLOR:BLK;POLES:03;(SUPERCOM SC-9F-21)		(EU, UL, JP, UK, SAA, BR, AR)
10	1.0000	G71-23104-04758		PLUG;WAFER;P:2mm;1 ROW;STRAIGHT;POLES:04;TYPE:A2006WV-4P	[P0A80:00: {1.0}()]	(EU, UL, JP, UK, SAA, BR, AR)

Power Supply

	Quantity	Item	Rev	Description	Reference Designators	Notes
1	2.0000	J67-00000-03492		TRAFO;CURRENT;P0A80;55mH MIN;DCR:2ohms MAX	[P0A80:00: {2.0}()]	(EU, UL, JP, UK, SAA, BR, AR)
2	1.0000	J69-8A800-06271		TRAFO;SWITCH MODE;PSU;500uH;(SUPERWORLD:R17-19-00091)	[SMPSU29:00: {1.0}()]	(EU, UL, JP, UK, SAA, BR, AR)
3	1.0000	J69-8A800-06272		TRAFO;SWITCH MODE;PSU;600uH;(SUPERWORLD:R17-19-00299)	[SMPSU29:00: {1.0}()]	(EU, UL, JP, UK, SAA, BR, AR)

Quarz

	Quantity	Item	Rev	Description	Reference Designators	Notes
1	1.0000	H65-40471-00000		QUARZ;RESONATOR;10MHz;HC49/S;FUNDAMENTAL	[DPXV:00: {1.0}()]	

Raw Material

	Quantity	Item	Rev	Description	Reference Designators	Notes
1	3.2000	E41-60116-04068		GLUE;SUN-DA;SILCONE;SW-116-A	[POA80:00: {1.6}] [SMPSU29:00: {1.6}]	(EU, UL, JP, UK, SAA, BR, AR)

Fader

	Quantity	Item	Rev	Description	Reference Designators	Notes
1	14.0000	I00-92951-02420		FADER;100Kohm;TAPER:W;STEREO;W/CC;(POLYSHINE F-2092E+C+R-B100K1-L9.5(J));RED LED	[PMH880S:1: {14.0}()]	

Potentiometer

	Quantity	Item	Rev	Description	Reference Designators	Notes
1	8.0000	I03-82041-00969		POTENTIOMETER;10Kohm 10Kohm;TAPERA/C;STEREO;SHAFT:30MM;W/ CC;NORMAL TORQUE;(TOPROOT RK112GV01-F30B12- A-C10KSB-CC-O)	[PMH880S:1: {8.0}()]	
2	6.0000	I03-82245-00566		POTENTIOMETER;50Kohm;TAPER:B;STEREO;W/CC;(TOP ROOT RK112GV01-F30B12-B50KSB-CC-O)	[PMH880S:1: {6.0}()]	
3	1.0000	I03-82645-00975		POTENTIOMETER;50Kohm;TAPER:G;STEREO;SHAFT:30M M;W/CC;NORMAL TORQUE;(TOPROOT RK112GV01- F30B12-W50KSB-CC-O)	[PMH880S:1: {1.0}()]	
4	6.0000	I03-84645-00999		POTENTIOMETER;50Kohm;TAPER:G;STEREO;SHAFT:30M M;W/O CC;NORMAL TORQUE;(TOPROOT RK112GV01- F30B12-W50KSB-O)	[PMH880S:1: {6.0}()]	
5	18.0000	I03-85245-01974		POTENTIOMETER;50Kohm;TAPER:B;MONO;SHAFT:30M M;W/ CC;HIGH TORQUE;(TOPROOT RK093NVA01- F30B12-B50K(300)-CC-O-H)	[PMH880S:1: {18.0}()]	
6	33.0000	I03-87645-01850		POTENTIOMETER;50Kohm;TAPER:G;MONO;SHAFT:30M M;W/O CC;HIGH TORQUE;(TOPROOT RK093NVA01- F30B12-W50K(300)-O-H)	[PMH880S:1: {33.0}()]	
7	1.0000	I03-87945-01890		POTENTIOMETER;50Kohm;TAPER:W;MONO;SHAFT:30M M;W/ CC;HIGH TORQUE;(TOPROOT RK093NVA01- F30B12-W50K(300)-CC-O-H)	[PMH880S:1: {1.0}()]	

Encoder

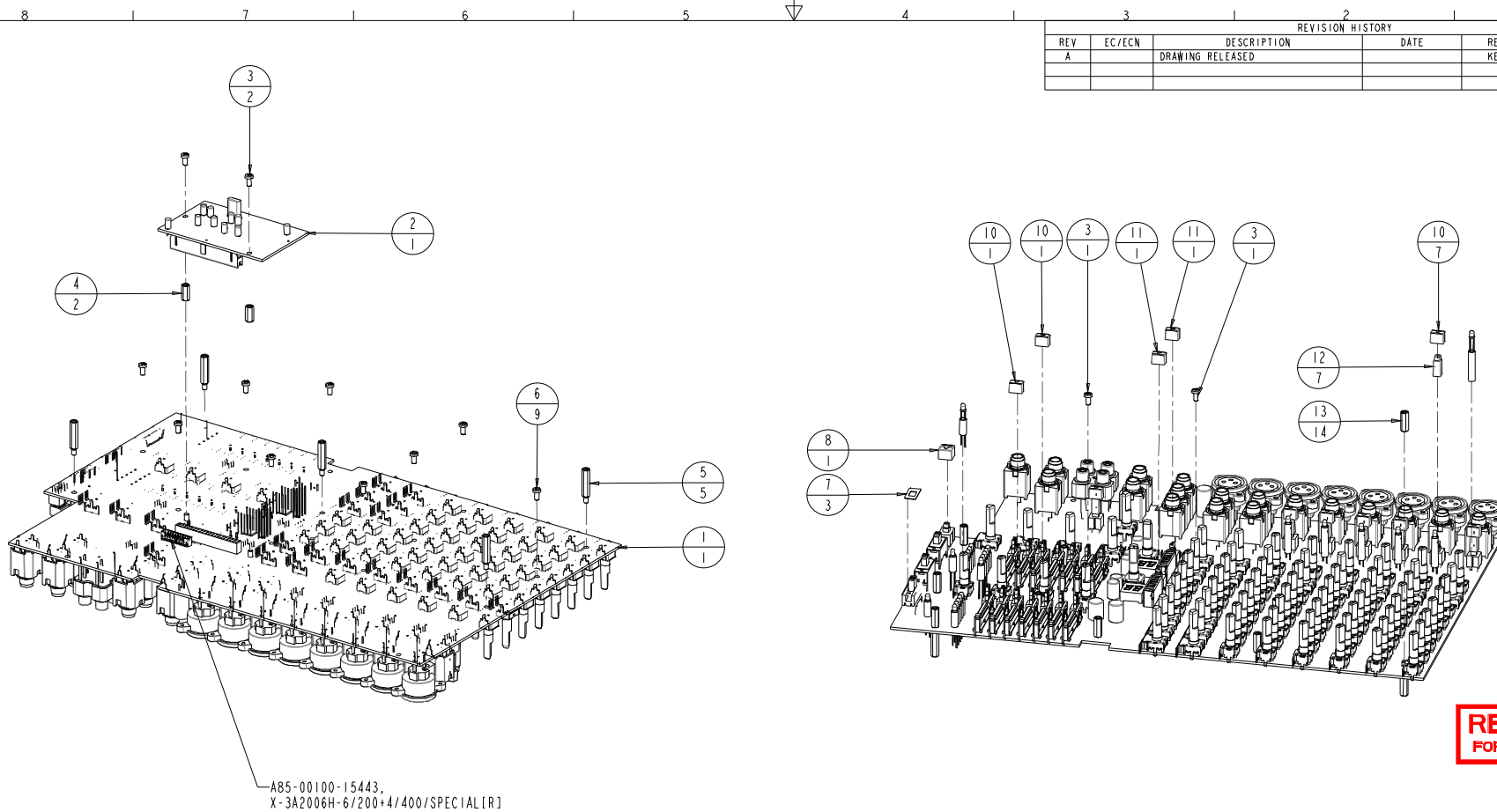
	Quantity	Item	Rev	Description	Reference Designators	Notes
1	2.0000	I32-92430-02704		ENCODER;12mm;DETENTS:24;PULSES:24;30mm;W/SWITCH;NO NUT/WASHER;(POLYSHINE F-12ES5H24B-P+C L30FX12(O))	[PMH880S:1: {2.0}()]	

Switch

	Quantity	Item	Rev	Description	Reference Designators	Notes
1	9.0000	I77-03422-02778		SWITCH;RADIAL;2P2T;PCB VERSION;LOCKING;NONSHORT;RAD2P	[PMH880S:1: {9.0}()]	
2	1.0000	I77-03442-02780		SWITCH;RADIAL;4P2T;PCB VERSION;LOCKING;NONSHORT;RAD4P	[PMH880S:1: {1.0}()]	
3	2.0000	I77-03822-02779		SWITCH;RADIAL;2P2T;PCB VERSION;NONLOCK;NONSHORT;RAD2P/NON	[PMH880S:1: {2.0}()]	
4	1.0000	I82-02211-02777		SWITCH;PUSH;1P1T;LOCKING;NONSHORT;SOLDER LUG;(PS3-22SP-W7CW	[2: {1.0}()]	
5	1.0000	I86-00422-32496		SWITCH;SLIDE;2P2T;PCB VERSION;LOCKING;NONSHORT;SS-22H18-G7 NS	[PMH880S:1: {1.0}()]	
6	1.0000	I86-00423-30024		SWITCH;SLIDE;2P2T;PCB VERSION;LOCKING;NONSHORT;SS-23D10-G7 NS	[PMH880S:1: {1.0}()]	
7	1.0000	I86-00442-22261		SWITCH;SLIDE;4P2T;PCB VERSION;LOCKING;NONSHORT;SS-42H08G7	[PMH880S:1: {1.0}()]	

Transistor

	Quantity	Item	Rev	Description	Reference Designators	Notes
1	26.0000	J73-02084-61703		TRANSISTOR;BC846B;SOT	[PMH880S:1: {26.0}()]	
2	2.0000	J73-02085-61703		TRANSISTOR;BC856B;SOT	[PMH880S:1: {2.0}()]	
3	3.0000	J73-07005-60803		TRANSISTOR;MPSA56;TO92;TAPING	[PMH880S:1: {3.0}()]	
4	2.0000	J73-08009-20803		TRANSISTOR;MPSA92;TO-92;TAPING	[PMH880S:1: {2.0}()]	
5	14.0000	J73-08005-61703		TRANSISTOR;MBTA56;SOT	[PMH880S:1: {14.0}()]	(CCC)
6	1.0000	J73-16540-16603		TRANSISTOR;MMBT5401;SOT23	[POA80:00: {1.0}()]	(EU, UL, JP, UK, SAA, BR, AR)
7	1.0000	J73-16555-12803		TRANSISTOR;MMBT5551;SOT23	[POA80:00: {1.0}()]	(EU, UL, JP, UK, SAA, BR, AR)
8	16.0000	J73-08005-61703		TRANSISTOR;MBTA56;SOT	[PMH880S:1: {14.0}()] [POA80:00: {2.0}()]	(EU, UL, JP, UK, SAA, BR, AR)
9	2.0000	J73-16440-36603		TRANSISTOR;MMBT4403;SOT23	[SMPSU29:00: {2.0}()]	(EU, UL, JP, UK, SAA, BR, AR)
10	2.0000	J73-08000-61703		TRANSISTOR;MBTA06;SOT	[POA80:00: {2.0}()]	(EU, UL, JP, UK, SAA, BR, AR)
11	1.0000	J70-49046-00703		TRANSISTOR;FET;600V;SPP04N60C3;TO220	[SMPSU29:00: {1.0}()]	(EU, UL, JP, UK, SAA, BR, AR)
12	3.0000	J73-16390-46603		TRANSISTOR;MMBT3904LT1;SOT23;SMD	[POA80:00: {1.0}()] [SMPSU29:00: {2.0}()]	(EU, UL, JP, UK, SAA, BR, AR)
13	1.0000	J73-16390-62803		TRANSISTOR;MMBT3906;SOT23;SMD	[SMPSU29:00: {1.0}()]	(EU, UL, JP, UK, SAA, BR, AR)
14	4.0000	J70-20422-74503		TRANSISTOR;IRFB4227PBF;TO220	[POA80:00: {4.0}()]	(EU, UL, JP, UK, SAA, BR, AR)
15	2.0000	J70-20046-03203		TRANSISTOR;IRFP460N;TO247	[SMPSU29:00: {2.0}()]	(EU, UL, JP, UK, SAA, BR, AR)



REVISION HISTORY				
REV	EC/ECN	DESCRIPTION	DATE	APPROVED
A		DRAWING RELEASED		KENT XU

RELEASED FOR PRODUCTION

NOTE: UNLESS OTHERWISE SPECIFIED

1. ASSEMBLY AS PER DESIGN REQUIREMENT.
2. THE DRAWING IS FOR REFERENCE ONLY.
3. DETAIL REFER TO THE BOM AND DRAWING OF INDIVIDUAL PART.
4. SCREW LOCK GLUE MUST BE ADDED ON ALL SCREW HEAD & NUT INSIDE THE UNIT.
5. ALL PARTS MUST COMPLY WITH RoHS REQUIREMENTS.

6. BALLOON MEANING:

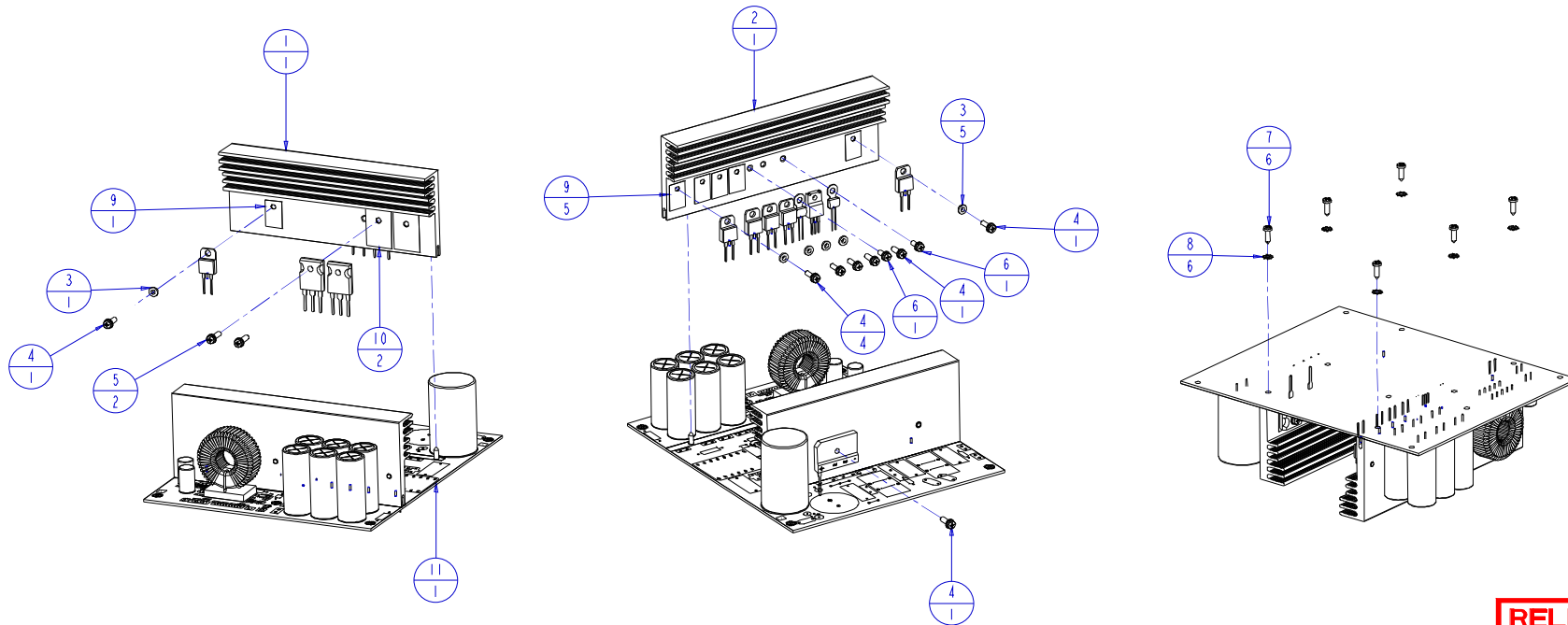
A
B

 A: ITEM B: QUANTITY

ITEM	ITEM NUMBER	QTY	ITEM CODE	CONSTRUCTION NUMBER	REMARKS
13	F94-30138-30000		14 MET-STUD13MM81M3[R]		
12	G53-14000-01976		7 PLA-SWSPACER[R]		
11	G52-00500-11000		2 PLA-SWNOBS430C-UB[R]		
10	G52-00500-09353		9 PLA-SWNOBS7.4MM-UB[R]		
8	G52-80508-73627		1 PLA-SWNOBSBLACK-UB[R]		
7	F97-00100-00481		3 PLA-PW8905/SHEET/01[R]		
6	F88-30060-30297		9 SC-M03+06-03-B-2P-BL[R]		
5	F94-30200-15000		5 MET-STUD20MM1+E/FM3[R]		
4	F94-30110-30000		2 MET-STUD11MM01M3[R]		
3	F88-30060-30291		4 SC-M03+06-03-B-2P-SLVER		
2	A05-56800-10139		1 PCBA-DPTV/PMP/B/H		
1	A05-ARM01-10247		1 PCBA-POA8M/MAIN[R]		

PROJECT / MODEL: POA8M	COMMENTS: ITEM CODE: DRA-ASSEMBLE/POA8M/SET-VI LAYER: A04-ARM00-10182	BEHRINGER	
DRAWN: KENT XU 2009-07-06	CHECKED: KENT XU 2009-07-06	APPROVED: LEE SHEN 2009-07-06	FILENAME: POA8M MAIN PCBA ASM EXP
SCALE: NO UNIT	CONSTRUCTION NO. A2	ITEM NO. 014-ARM65-00901	REV. A
SHEET 1 OF 1			

REVISION HISTORY				
REV	EC/ECN	DESCRIPTION	DATE	APPROVED
A		DRAWING RELEASED	2009-07-10	KENT XU
B		1. MODIFY #1 P/N: FROM A63-00200-15422 TO A63-00000-05559 2. MODIFY #2 P/N: FROM A63-00100-14971 TO A63-00000-05577	2009-12-24	KENT XU



RELEASED FOR PRODUCTION

NOTE: UNLESS OTHERWISE SPECIFIED

- ASSEMBLY AS PER DESIGN REQUIREMENT.
- THE DRAWING IS FOR REFERENCE ONLY.
- DETAIL REFER TO THE BOM AND DRAWING OF INDIVIDUAL PART.
- ALL PARTS MUST COMPLY WITH ROHS REQUIREMENTS.

5. BALLOON MEANING: $\frac{A}{B}$ A: ITEM B: QUANTITY

ITEM	ITEM NUMBER	QTY	ITEM CODE	CONSTRUCTION NUMBER	REMARKS
11		1	PCBA-POA8M/SMP5U19/A/H1ER		
10	F89-32020-00152	2	IN-GLT0247ER		
9	F89-43000-00002	6	IN-GLT0220/3MM1ER		
8	F96-40300-60100	6	SC-WATEXT3+6*1ER		
7	F88-30100-30211	6	SC-A03+10-03-B-ZP-SLVER		
6	F88-03004-2029A	2	SC-M03+08-42-B-NVC-SLVER		
5	F88-03104-2029A	2	SC-M03+12-42-B-NVC-SLVER		
4	F88-03104-2029A	6	SC-M03+10-43-B-NVC-SLVER		
3	F98-04400-27886	6	PLA-NYLBUSH1R		
2	A63-00000-05577	1	NET-POA80/HEATSINK-LEFT-PSU1R		
1	A63-00000-05559	1	NET-POA80/HEATSINK-RIGHT-PSU1R		

PROJECT / MODEL: POA8M

COMMENTS: ITEM CODE: DRA-ASSEMBLY/POA8M/SET-V111

LAYER IN BOM: A04-ARM01-09648

DRAWN: KENT XU 2009-07-09

CHECKED: KENT XU 2009-07-09

APPROVED: LEE SHEN 2009-07-09

BEHRINGER

FILENAME: POA8M PSU ASM EXP

SIZE: A2

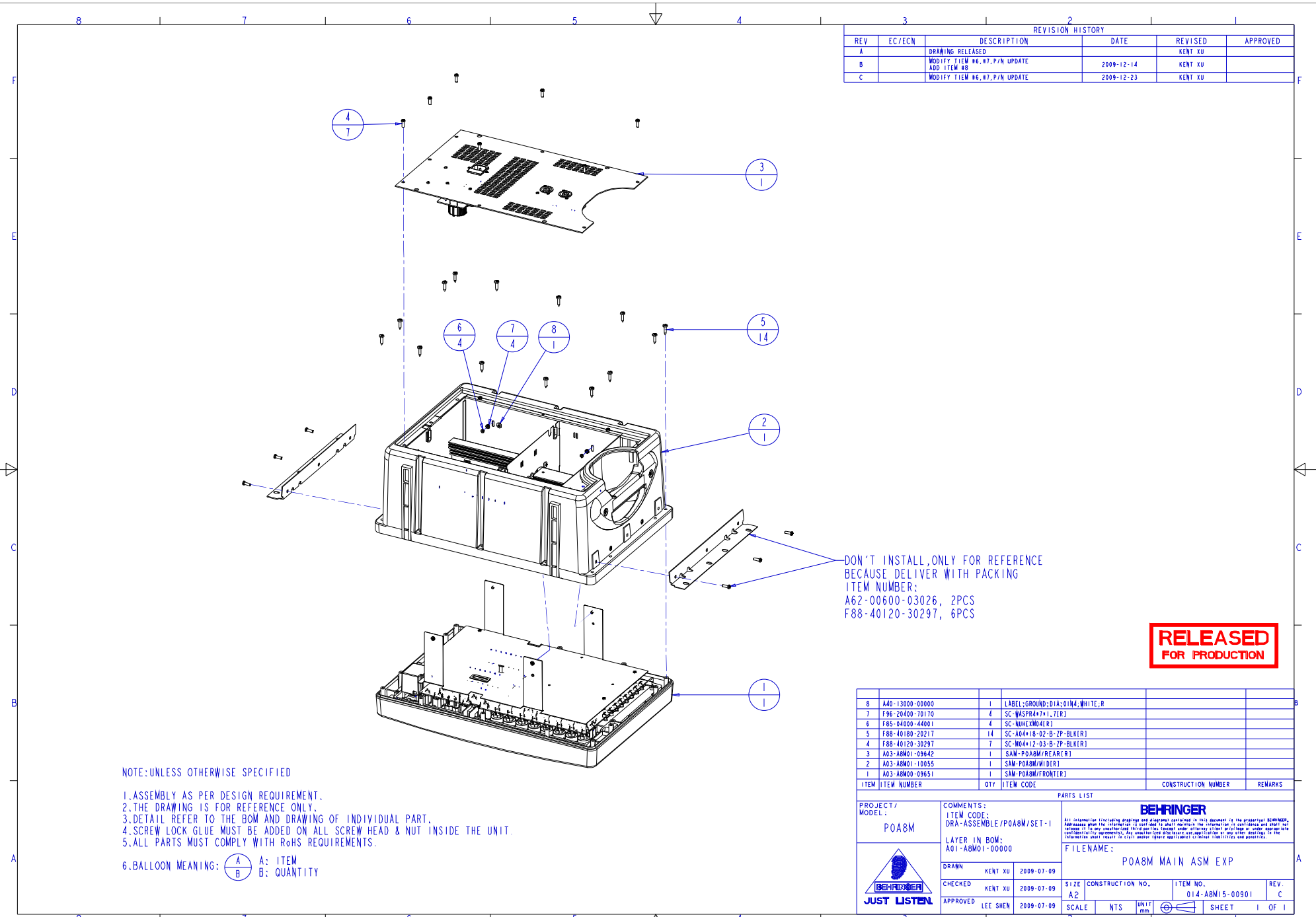
CONSTRUCTION NO.: 014-ARM85-00901

ITEM NO.: 014-ARM85-00901

REV: B

SCALE: 0.5

SHEET: 1 OF 1



REVISION HISTORY				
REV	EC/ECN	DESCRIPTION	DATE	REVISED
A		DRAWING RELEASED		KENT XU
B		MODIFY ITEM #6, #7, P/N UPDATE ADD ITEM #8	2009-12-14	KENT XU
C		MODIFY ITEM #6, #7, P/N UPDATE	2009-12-23	KENT XU

DON'T INSTALL, ONLY FOR REFERENCE
BECAUSE DELIVER WITH PACKING
ITEM NUMBER:
A62-00600-03026, 2PCS
F88-40120-30297, 6PCS

**RELEASED
FOR PRODUCTION**

NOTE: UNLESS OTHERWISE SPECIFIED

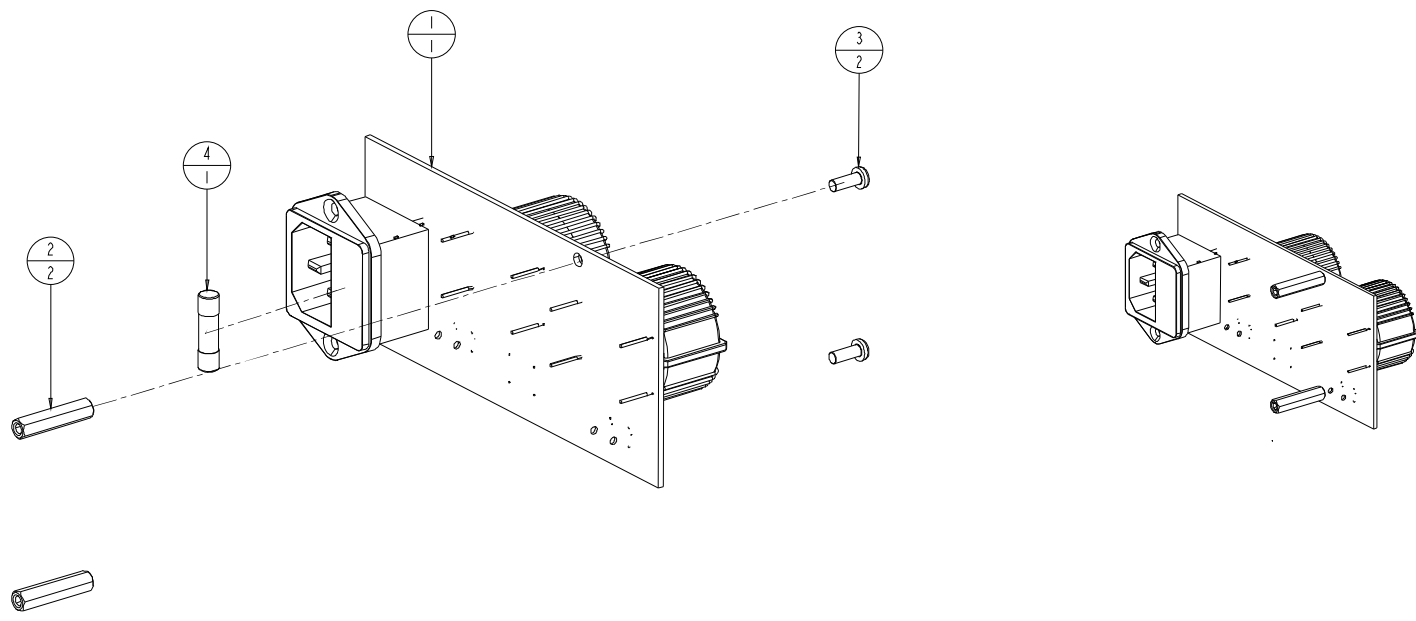
1. ASSEMBLY AS PER DESIGN REQUIREMENT.
2. THE DRAWING IS FOR REFERENCE ONLY.
3. DETAIL REFER TO THE BOM AND DRAWING OF INDIVIDUAL PART.
4. SCREW LOCK GLUE MUST BE ADDED ON ALL SCREW HEAD & NUT INSIDE THE UNIT.
5. ALL PARTS MUST COMPLY WITH RoHS REQUIREMENTS.

6. BALLOON MEANING: $\frac{A}{B}$ A: ITEM
B: QUANTITY

ITEM	ITEM NUMBER	QTY	ITEM CODE	CONSTRUCTION NUMBER	REMARKS
8	A40-13000-00000	1	LABEL:GROUND:DIA:01N4:WHITE,R		
7	F96-20400-70170	4	SC-MASPR4*1*1,TIER		
6	F85-04000-44001	4	SC-NUSHEM04R		
5	F88-40100-30217	14	SC-A04*10-02-B-2P-BLK(R)		
4	F88-40120-30297	1	SC-N04*12-03-B-2P-BLK(R)		
3	A03-ARM01-09642	1	SAN-POA8M/REAR(R)		
2	A03-ARM01-10055	1	SAN-POA8M/MID(R)		
1	A03-ARM00-09651	1	SAN-POA8M/FRONT(R)		

PROJECT / MODEL: POA8M	COMMENTS: ITEM CODE: DRA-ASSEMBLY/POA8M/SET-1 LAYER IN BOM: A01-ARM01-00000	<p>BEHRINGER</p> <p>FILENAME: POA8M MAIN ASM EXP</p>
DRAWN KENT XU 2009-07-09	CHECKED KENT XU 2009-07-09	<p>SIZE: CONSTRUCTION NO. ITEM NO. REV.</p> <p>A2 014-ARM15-00901 C</p>
APPROVED LEE SHEN 2009-07-09	SCALE	<p>UNIT: mm</p> <p>SHEET 1 OF 1</p>

REVISION HISTORY				
REV	EC/ECN	DESCRIPTION	DATE	REVISED BY
A		DRAWING RELEASED		KENT XU



RELEASED FOR PRODUCTION

NOTE: UNLESS OTHERWISE SPECIFIED

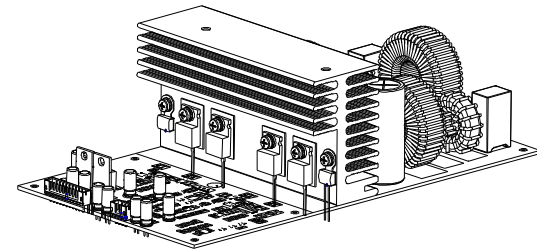
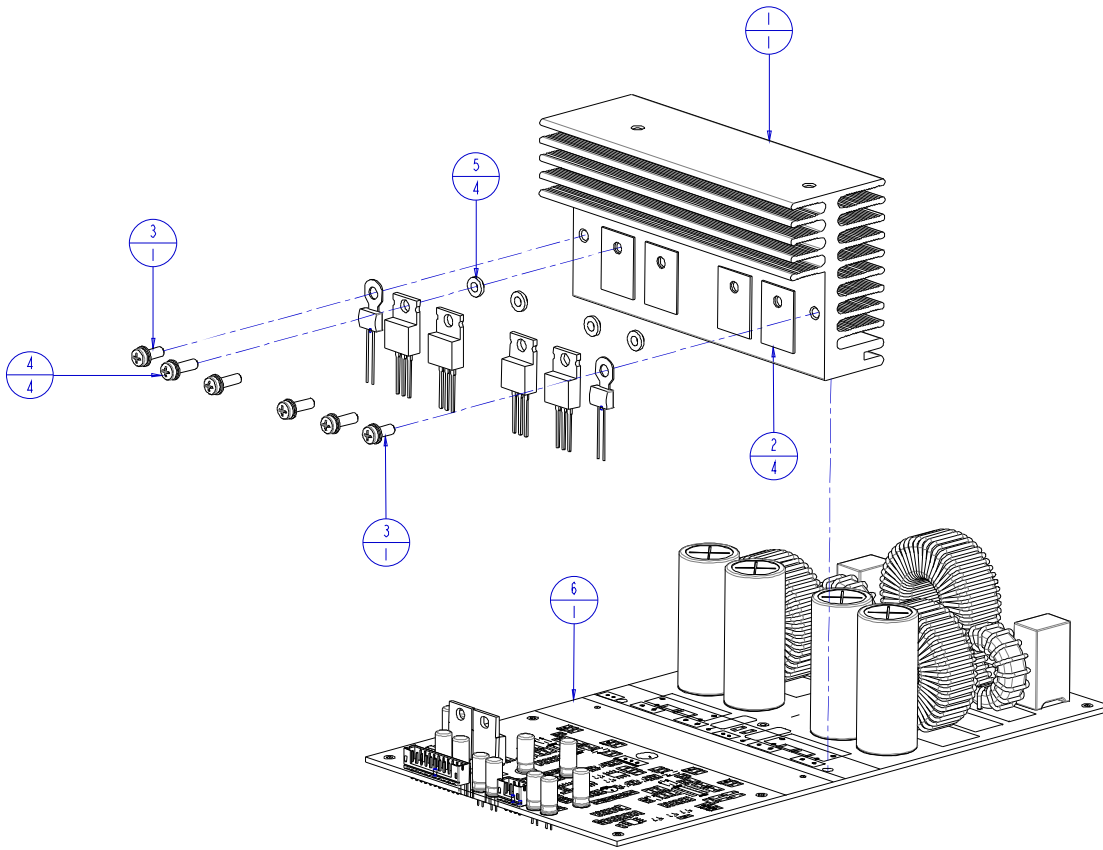
1. ASSEMBLY AS PER DESIGN REQUIREMENT.
2. THE DRAWING IS FOR REFERENCE ONLY.
3. DETAIL REFER TO THE BOM AND DRAWING OF INDIVIDUAL PART.
4. SCREW LOCK GLUE MUST BE ADDED ON ALL SCREW HEAD & NUT INSIDE THE UNIT.
5. ALL PARTS MUST COMPLY WITH ROHS REQUIREMENTS.

6. BALLOON MEANING: $\frac{A}{B}$ A: ITEM B: QUANTITY

ITEM	ITEM NUMBER	QTY	ITEM CODE	CONSTRUCTION NUMBER	REMARKS
4	B22-01514-10001	1	F-SB10000/H/01[R]		UL REV.
	B22-01516-30001	1	F-SB6300/H/01[R]		EU REV.
3	F88-30080-30291	2	SC-M03*08-03-B-ZP-SLVER		
2	F94-30220-30000	2	NET-STUD22MM01[R]		SAM-SPS1000/POA8M/COM
1	A04-ARM00-10184	1	PCBA-POA8M/SPS1000[R]		

PROJECT / MODEL:	POA8M	COMMENTS:	BEHRINGER <small>All information including drawings and diagrams contained in this document is the property of BEHRINGER. Reproduction without the written permission of BEHRINGER is strictly prohibited. BEHRINGER assumes no responsibility for any errors or omissions. BEHRINGER is not responsible for any damage or loss of data resulting from the use of this information. BEHRINGER is not responsible for any damage or loss of data resulting from the use of this information. BEHRINGER is not responsible for any damage or loss of data resulting from the use of this information.</small>		
LAYER IN BOM:	A04-ARM01-10043	FILENAME:	POA8M SPS1000 PCBA ASM EXP		
DRAWN:	KENT XU 2009-07-09	SIZE:	CONSTRUCTION NO.:	ITEM NO.:	REV.:
CHECKED:	KENT XU 2009-07-09	A2		014-ARM95-00901	A
APPROVED:	LEE SHEN 2009-07-09	SCALE:	NTS	UNIT: mm	SHEET 1 OF 1

		REVISION HISTORY			
REV	EC/ECN	DESCRIPTION	DATE	REVISED	APPROVED
A		DRAWING RELEASED	2009-07-01	KENT XU	LEE SHEN
B		MODIFY ITEM 1 P/N FROM A63-00300-15501 TO A63-00000-05299	2009-12-17	KENT XU	LEE SHEN



RELEASED
FOR PRODUCTION

NOTE: UNLESS OTHERWISE SPECIFIED

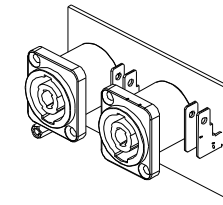
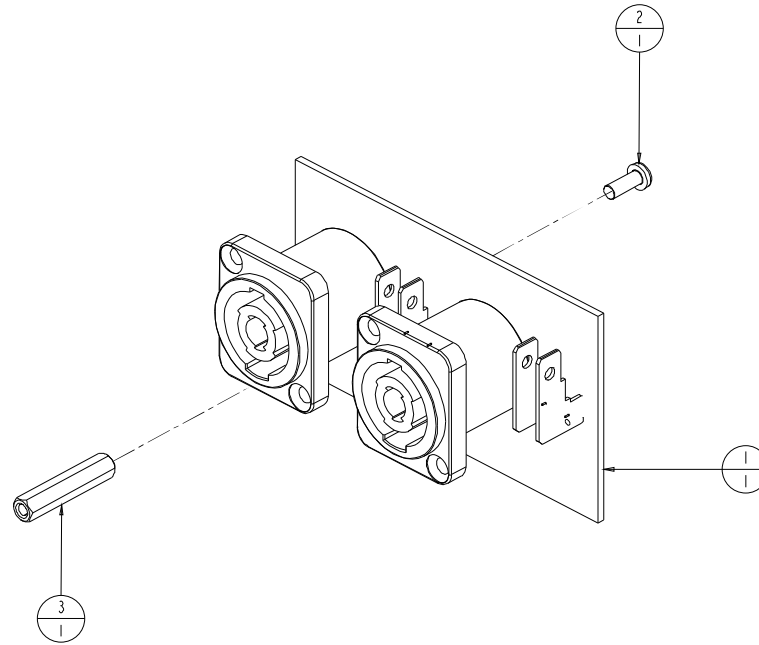
- 1. ASSEMBLY AS PER DESIGN REQUIREMENT.
- 2. THE DRAWING IS FOR REFERENCE ONLY.
- 3. DETAIL REFER TO THE BOM AND DRAWING OF INDIVIDUAL PART.
- 4. ALL PARTS MUST COMPLY WITH ROHS REQUIREMENTS.

5. BALLOON MEANING: $\frac{A}{B}$ A: ITEM
B: QUANTITY

ITEM	ITEM NUMBER	QTY	ITEM CODE	CONSTRUCTION NUMBER	REMARKS
6		1	PCBA-POA8M/HCA2500/H1(R)		
5	F98-04400-27886	4	PLA-NYL BUSHING		
4	F88-03104-2029A	4	SC-M03*10-42-B-NIC-SILVER		
3	F88-03084-2029A	2	SC-M03*08-42-B-NIC-SILVER		
2	F89-07000-06274	4	NI-T0220/19-4*14*0.61R1		
1	A63-00000-05299	1	NET-POA80/HEATSINK-AMP(R)		

PROJECT / MODEL: POA8M	COMMENTS: ITEM CODE: DRA-ASSEMBLY/POA8M/SET-VII LAYER IN BOM: A04-ABM00-09634	<p style="text-align: center;">BEHRINGER</p> <p><small>All information including drawings and diagrams contained in this document is the property of BEHRINGER. Reproduction without the written permission of BEHRINGER is strictly prohibited. In order to ensure the confidentiality of our information, we request that you do not disclose any information to third parties without our prior written consent. Any unauthorized disclosure and application of any other details of the information shall result in civil and/or criminal liability to the extent permitted by law.</small></p> <p>FILENAME: POA8M AMP ASM EXP</p>
<p style="text-align: center;">BEHRINGER</p> <p style="text-align: center;">JUST LISTEN</p>	DRAWN: KENT XU 2009-07-03 CHECKED: KENT XU 2009-07-03 APPROVED: LEE SHEN 2009-07-03	SIZE: CONSTRUCTION NO. A2 ITEM NO. 014-ABM75-00901 REV. B SCALE: NTS UNIT mm SHEET 1 OF 1

REVISION HISTORY				
REV	EC/ECN	DESCRIPTION	DATE	REVISED
A		DRAWING RELEASED		KENT XU



RELEASED
FOR PRODUCTION

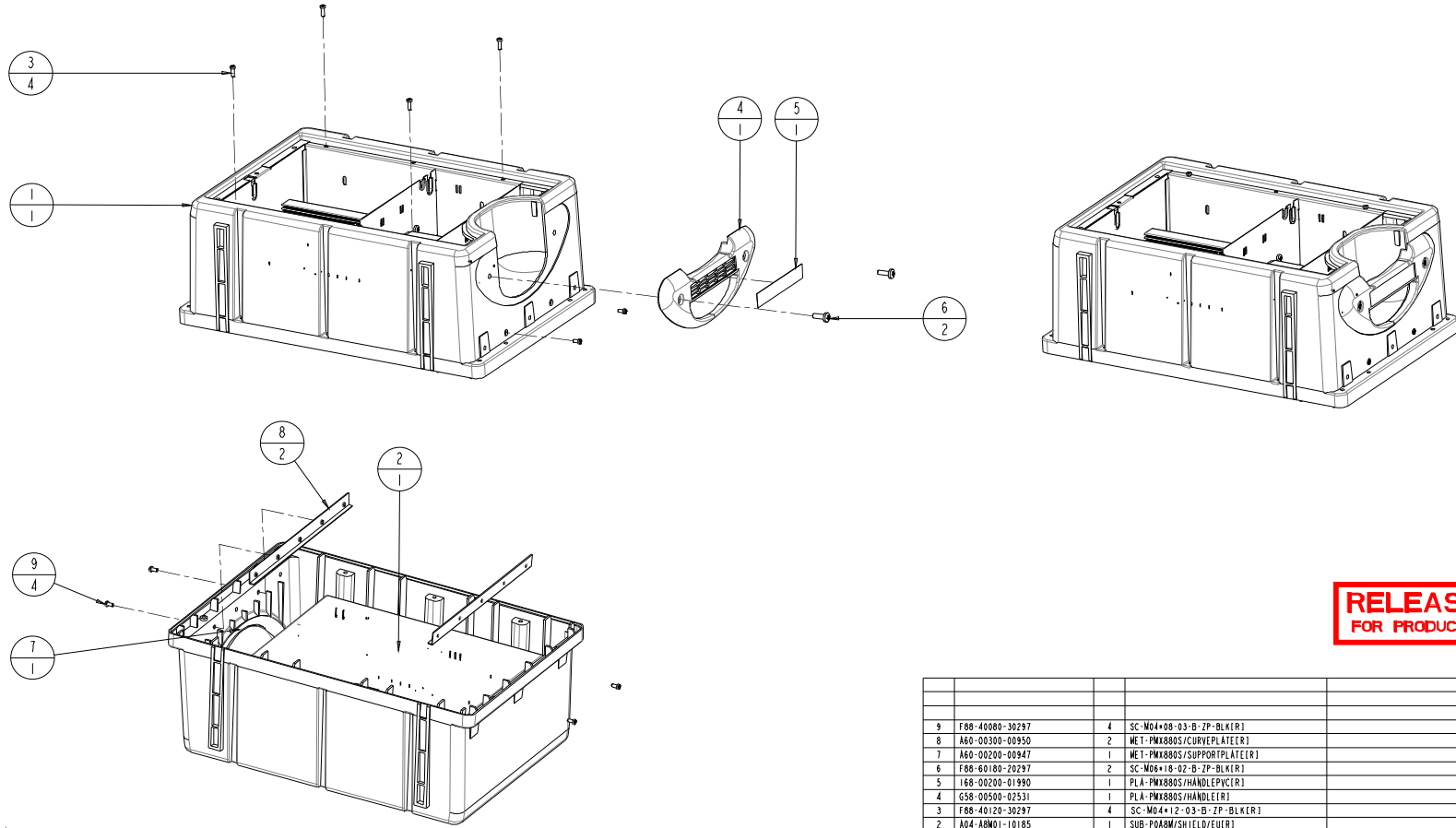
NOTE: UNLESS OTHERWISE SPECIFIED

1. ASSEMBLY AS PER DESIGN REQUIREMENT.
2. THE DRAWING IS FOR REFERENCE ONLY.
3. DETAIL REFER TO THE BOM AND DRAWING OF INDIVIDUAL PART.
4. SCREW LOCK GLUE MUST BE ADDED ON ALL SCREW HEAD & NUT INSIDE THE UNIT.
5. ALL PARTS MUST COMPLY WITH RoHS REQUIREMENTS.

6. BALLOON MEANING: $\frac{A}{B}$ A: ITEM
B: QUANTITY

ITEM	ITEM NUMBER	QTY	ITEM CODE	CONSTRUCTION NUMBER	REMARKS
3	F94-30242-30000	1	MET-STUD24MM2T3[R]		
2	F88-30080-30297	1	SC-M03408-03-B-2P-BLKER		
1	A05-ABM00-10039	1	PCBA-POA8M/OUTPUT[R]		

PROJECT / MODEL:	POA8M	COMMENTS:	ITEM CODE: DRA-ASSEMBLY/POA8M/SET-X LAYER IN BOM: A04-ABM00-10038	BEHRINGER
DRAWN:	KENT XU 2009-07-09	CHECKED:	KENT XU 2009-07-09	APPROVED:
APPROVED:	LEE SHEN 2009-07-09	SCALE:	A2	NO UNIT
FILENAME:		POA8M OUTPUT PCBA ASM EXP		
SIZE:	CONSTRUCTION NO.	ITEM NO.	REV.	
A2		014-ABM05-00901	A	
SHEET	1	OF	1	



REVISION HISTORY				
REV	EC/ECN	DESCRIPTION	DATE	APPROVED
A		DRAWING RELEASED		KENT XU

NOTE: UNLESS OTHERWISE SPECIFIED

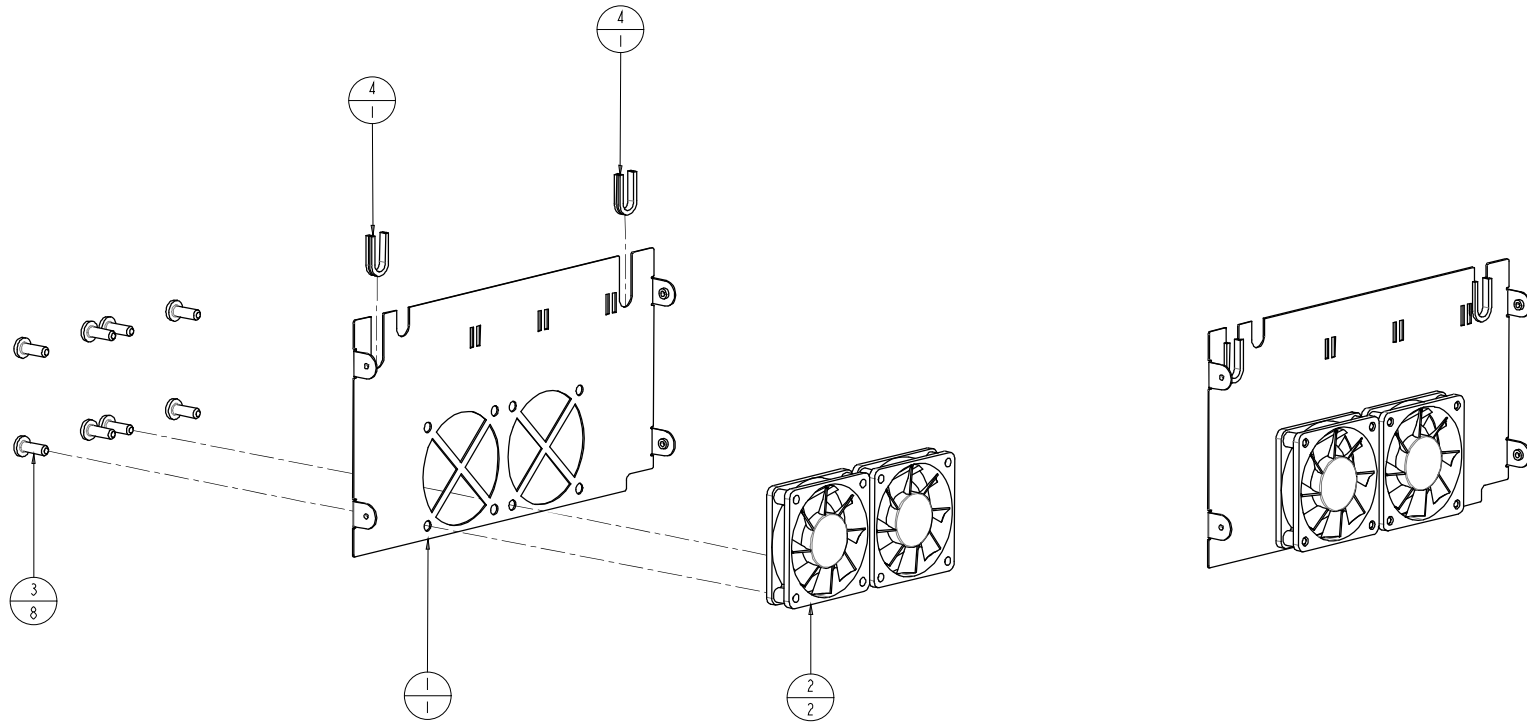
1. ASSEMBLY AS PER DESIGN REQUIREMENT.
2. THE DRAWING IS FOR REFERENCE ONLY.
3. DETAIL REFER TO THE BOM AND DRAWING OF INDIVIDUAL PART.
4. SCREW LOCK GLUE MUST BE ADDED ON ALL SCREW HEAD & NUT INSIDE THE UNIT.
5. ALL PARTS MUST COMPLY WITH ROHS REQUIREMENTS.

6. BALLOON MEANING:

A	A: ITEM
B	B: QUANTITY

ITEM	ITEM NUMBER	QTY	ITEM CODE	CONSTRUCTION NUMBER	REMARKS
9	F88-40080-30297	4	SC-M04+08-03-B-ZP-BLK[R]		
8	A60-00300-00950	2	MET-PMX880S/CURVEPLATE[R]		
7	A60-00200-00947	1	MET-PMX880S/SUPPORTPLATE[R]		
6	F88-60180-30297	2	SC-M06+18-02-B-ZP-BLK[R]		
5	168-00200-01990	1	PLA-PMX880S/HANDLE[R]		
4	G58-00500-02531	1	PLA-PMX880S/HANDLE[R]		
3	F88-40120-30297	4	SC-M04+12-03-B-ZP-BLK[R]		
2	A04-ARM01-10185	1	SUB-POA8M/SHIELD/FEUR[R]		
1	G56-01100-07287	1	PLA-PMX880S/CABINET[R]		

PROJECT / MODEL: POA8M	COMMENTS: ITEM CODE: DRA-ASSEMBLE/POA8M/SET-111 LAYER IN BOM: A03-ARM01-10055	BEHRINGER <small>All information including drawings and diagrams contained in this document is the property of BEHRINGER. Reproduction without the written permission of BEHRINGER is strictly prohibited. BEHRINGER assumes no responsibility for any damage or injury caused by the use of the information contained in this document. BEHRINGER is not responsible for any damage or injury caused by the use of the information contained in this document. BEHRINGER is not responsible for any damage or injury caused by the use of the information contained in this document.</small>
DRAWN: KENT XU 2009-07-09 CHECKED: KENT XU 2009-07-09 APPROVED: LEE SHEN 2009-07-09	FILENAME: POA8M MID ASM EXP	SIZE: A2 CONSTRUCTION NO.: 014-ARM35-00901 ITEM NO.: 014-ARM35-00901 REV.: A



REVISION HISTORY				
REV	EC/ECN	DESCRIPTION	DATE	APPROVED
A		DRAWING RELEASED		KENT XU

NOTE: UNLESS OTHERWISE SPECIFIED

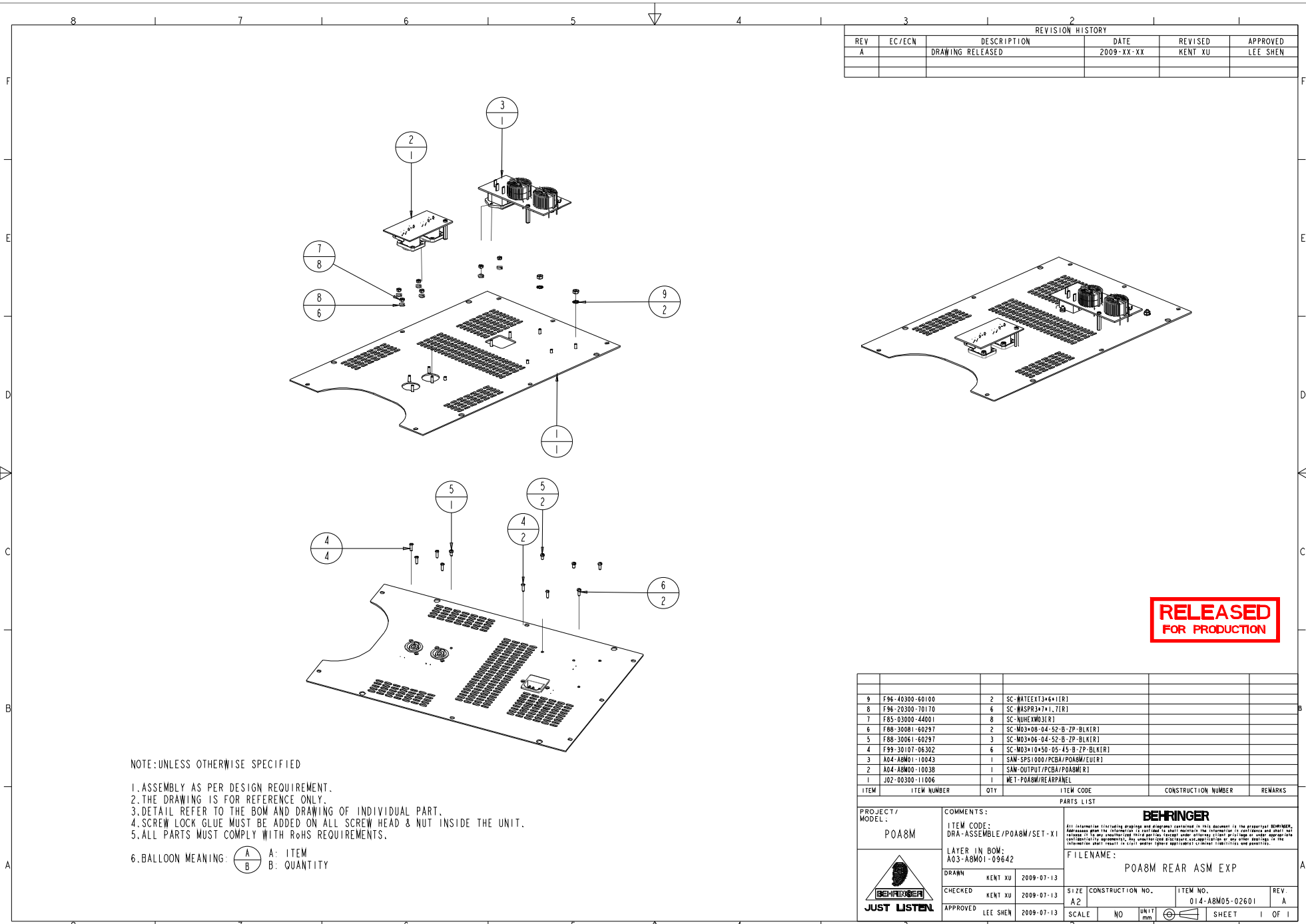
1. ASSEMBLY AS PER DESIGN REQUIREMENT.
2. THE DRAWING IS FOR REFERENCE ONLY.
3. DETAIL REFER TO THE BOM AND DRAWING OF INDIVIDUAL PART.
4. ALL PARTS MUST COMPLY WITH ROHS REQUIREMENTS.

5. BALLOON MEANING: $\frac{A}{B}$ A: ITEM
B: QUANTITY

**RELEASED
FOR PRODUCTION**

ITEM	ITEM NUMBER	QTY	ITEM CODE	CONSTRUCTION NUMBER	REMARKS
4	G58-00100-07892	2	PLA-DPA400/PROT.GUM(R)		
3	F88-50150-20247	8	SC-BT05*15-02-B-ZP-BLKR(I)		
2	A31-61524-06301	2	MI-FAN24V/012AIR(I)		
1	A65-00100-15397	1	NET-POA8M/AIR-BAFFLE(I)		

PROJECT / MODEL: POA8M	COMMENTS: ITEM CODE: DRA-ASSEMBLE/POA8M/SET-V LAYER IN BOM: A04-A8M00-10181	<p>BEHRINGER</p> <p><small>All information including drawings and diagrams contained in this document is the property of BEHRINGER. Reproduction without the written permission of BEHRINGER is strictly prohibited. BEHRINGER assumes no responsibility for the use of the information herein for any purpose other than that for which it was intended. BEHRINGER assumes no liability for any damage or loss resulting from the use of the information herein, except insofar as it may be caused by negligence on the part of BEHRINGER.</small></p> <p>FILENAME: POA8M AIR BAFFLE ASM EXP</p>
DRAWN KENT XU 2009-07-09	CHECKED KENT XU 2009-07-09	APPROVED LEE SHEN 2009-07-09
SCALE	NTS	UNIT mm
SHEET		1 OF 1



NOTE: UNLESS OTHERWISE SPECIFIED

1. ASSEMBLY AS PER DESIGN REQUIREMENT.
2. THE DRAWING IS FOR REFERENCE ONLY.
3. DETAIL REFER TO THE BOM AND DRAWING OF INDIVIDUAL PART.
4. SCREW LOCK GLUE MUST BE ADDED ON ALL SCREW HEAD & NUT INSIDE THE UNIT.
5. ALL PARTS MUST COMPLY WITH ROHS REQUIREMENTS.

6. BALLOON MEANING:

A	ITEM
B	QUANTITY

REVISION HISTORY				
REV	EC/ECN	DESCRIPTION	DATE	APPROVED
A		DRAWING RELEASED	2009-XX-XX	KENT XU
				LEE SHEN

RELEASED
FOR PRODUCTION

ITEM	ITEM NUMBER	QTY	ITEM CODE	CONSTRUCTION NUMBER	REMARKS
9	F96-40300-60100	2	SC-WATEXT3*6*1(R)		
8	F96-20300-70170	6	SC-WASPR3*4*1-7(R)		
7	F85-03000-44001	8	SC-NUHEM03(R)		
6	F88-30081-60297	2	SC-M03*08-04-52-B-7P-BL(R)		
5	F88-30061-60297	3	SC-M03*06-04-52-B-7P-BL(R)		
4	F99-20107-06302	6	SC-M03*10*50-05-45-B-7P-BL(R)		
3	A04-ARM01-10043	1	SAM-SPS1000/PCBA/POA8M(EUR)		
2	A04-ARM00-10038	1	SAM-OUTPUT/PCBA/POA8M(R)		
1	J02-00300-11006	1	NET-POA8M/REARPANEL		

PROJECT / MODEL: POA8M	COMMENTS: ITEM CODE: DRA-ASSEMBLE/POA8M/SET-XI LAYER IN BOM: A03-ARM01-09642	<p style="text-align: center;">BEHRINGER</p> <p><small>All information contained in this drawing is the property of BEHRINGER. Reproduction without the written permission of BEHRINGER is prohibited. BEHRINGER assumes no liability for any damage or loss of profit resulting from the use of this drawing. BEHRINGER is not responsible for any damage or loss of profit resulting from the use of this drawing. BEHRINGER is not responsible for any damage or loss of profit resulting from the use of this drawing.</small></p> <p>FILENAME: POA8M REAR ASM EXP</p>
<p>BEHRINGER</p> <p>JUST LISTEN</p>	DRAWN: KENT XU 2009-07-13 CHECKED: KENT XU 2009-07-13 APPROVED: LEE SHEN 2009-07-13	SIZE: A2 CONSTRUCTION NO.: 014-ARM05-02601 ITEM NO.: 014-ARM05-02601 REV.: A SCALE: NO UNIT mm SHEET 1 OF 1



We Hear You