

Service Manual

Created: 07 July 2015



V22

22-Watt Vintage 2-Channel Tube Combo with Reverb

Specifications	2
PCB Schematic	3
Parts List	8
Exploded Drawing	25

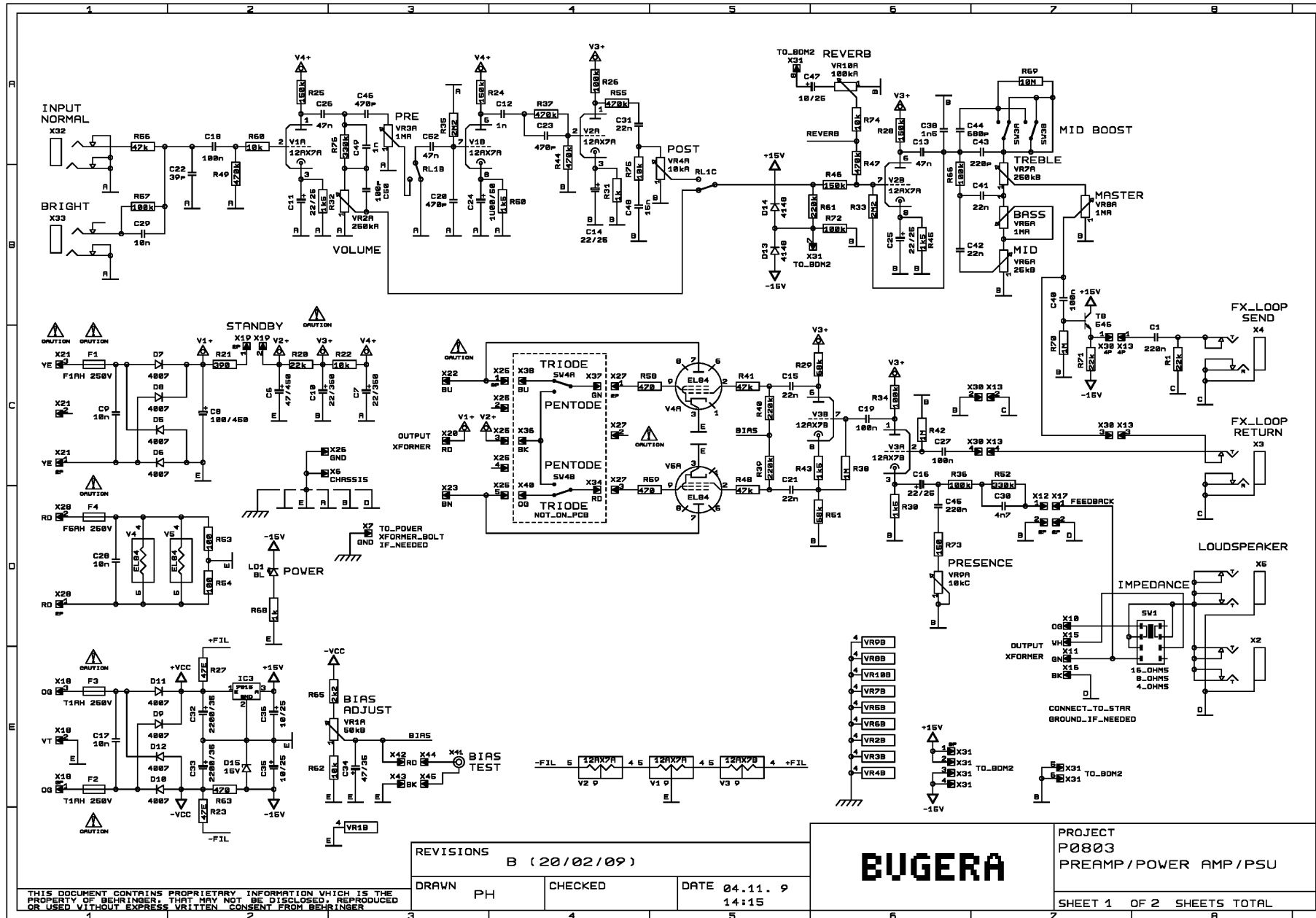
bugera-amps.com

Bugera

V22

Specifications

- Hand-built 22-Watt guitar combo driven by 2 x EL84 Tubes
- Way cool vintage look and feel
- Original heavy-duty 12" BUGERA guitar speaker for true vintage sound
- Authentic 2-channel preamp design from the '60s featuring 3 x 12AX7 tubes—everything from purring blues to mind-blowing crunch
- Integrated high-definition reverb with dedicated Reverb control
- Vintage Equalizer section with dedicated Bass, Mid, Treble and Presence controls
- Normal and Bright inputs for ultimate sound character to perfectly match your guitar
- Multi-gain stage Lead channel with Gain, Volume and Master controls
- Amazing Mode switch to select between Triode or Pentode operation
- Heavy-duty footswitch for Channel and Reverb function included
- Impedance connectors (4, 8 and 16 Ohms) to match virtually any external speaker cabinet
- 3-Year Warranty Program*
- Designed and engineered by BUGERA Germany



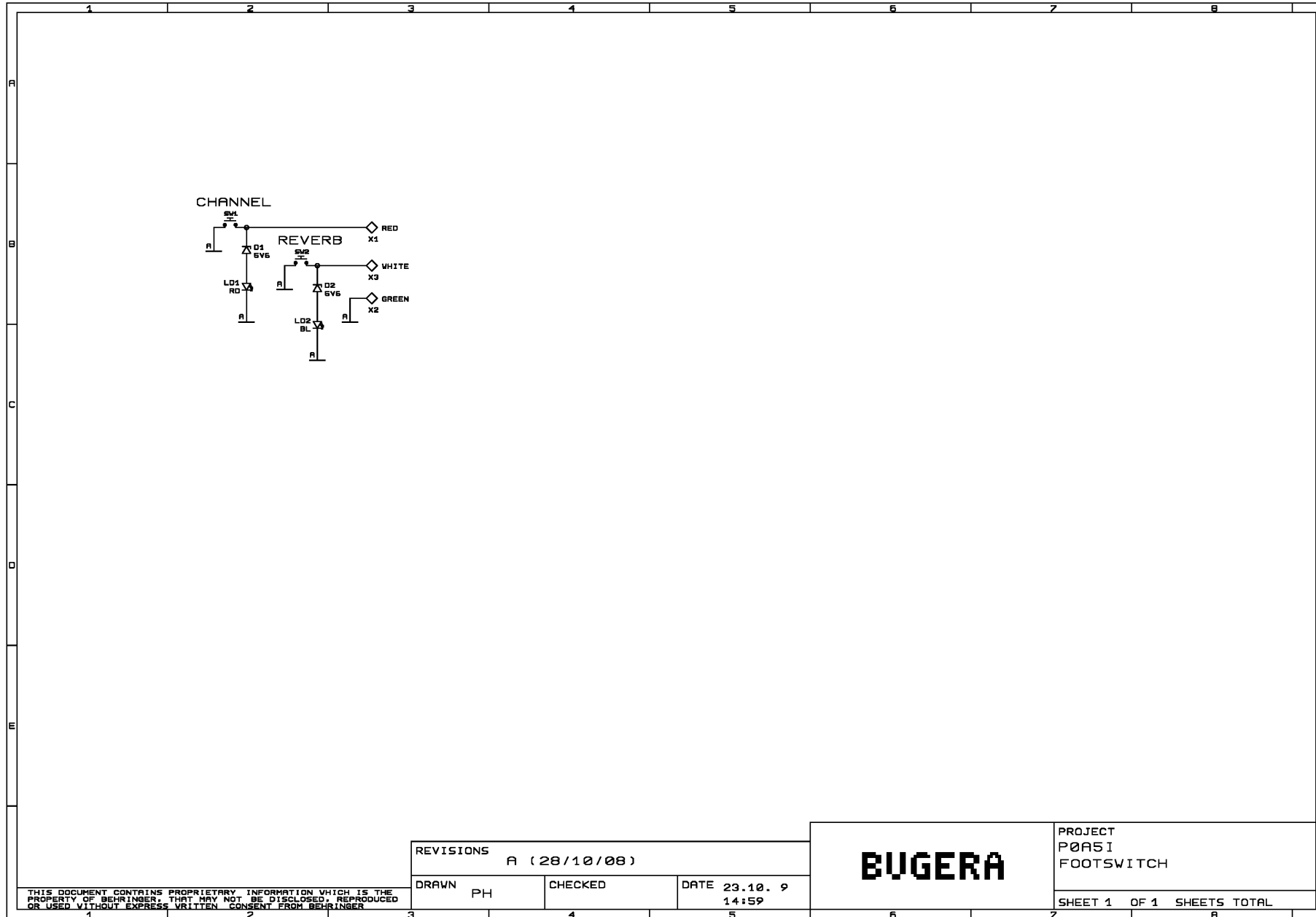
REVISIONS		
B (20/02/09)		
DRAWN	CHECKED	DATE
PH		04.11. 9
		14:15

BUGERA

PROJECT
P0803
PREAMP/POWER AMP/PSU

SHEET 1 OF 2 SHEETS TOTAL

THIS DOCUMENT CONTAINS PROPRIETARY INFORMATION WHICH IS THE PROPERTY OF BEHRINGER. IT MAY NOT BE DISCLOSED, REPRODUCED OR USED WITHOUT EXPRESS WRITTEN CONSENT FROM BEHRINGER.

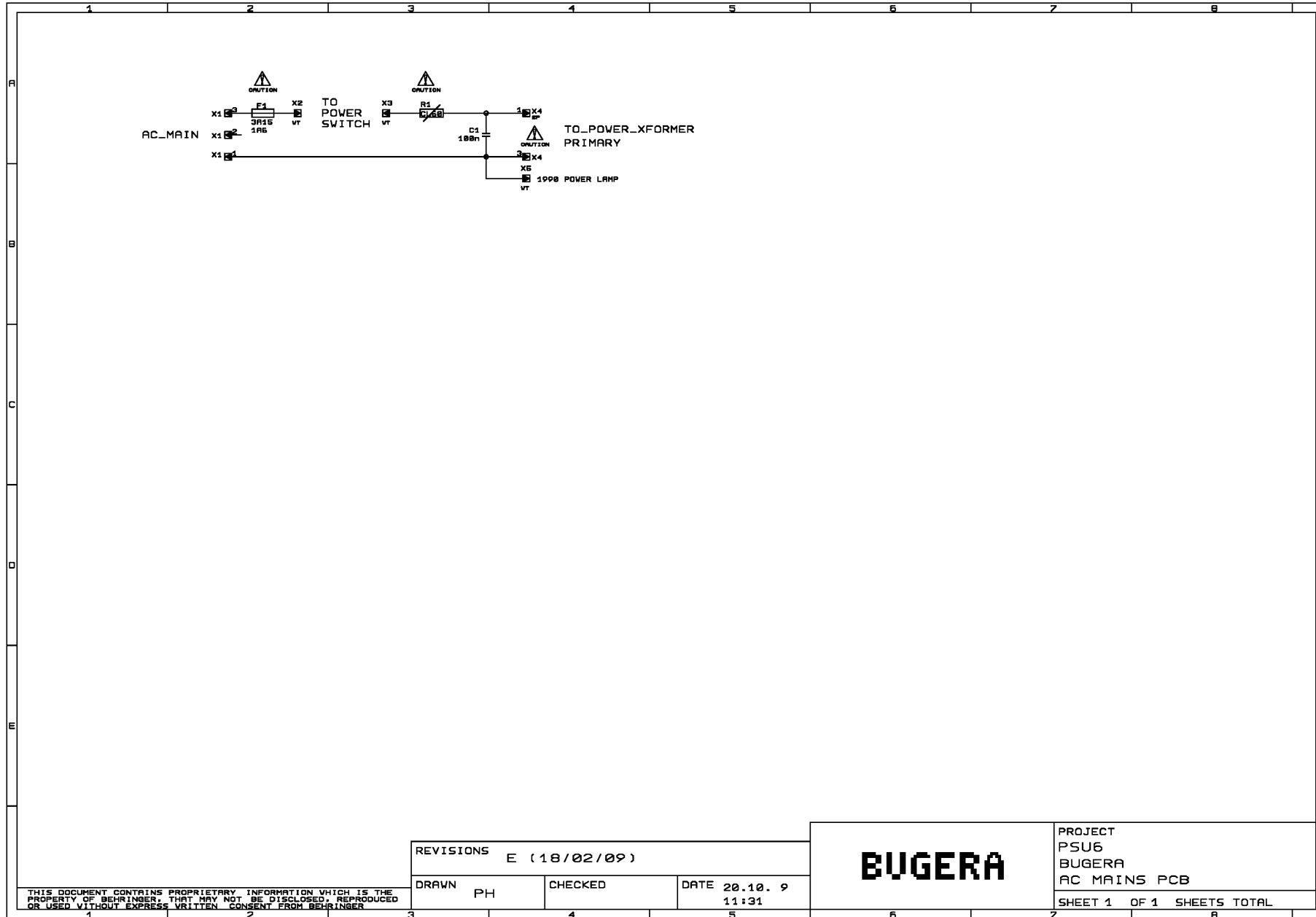


REVISIONS		
A (28/10/08)		
DRAWN	CHECKED	DATE
PH		23.10. 9
		14:59

BUGERA

PROJECT
P0A5I
FOOTSWITCH
SHEET 1 OF 1 SHEETS TOTAL

THIS DOCUMENT CONTAINS PROPRIETARY INFORMATION WHICH IS THE PROPERTY OF BEHRINGER. THAT MAY NOT BE DISCLOSED, REPRODUCED OR USED WITHOUT EXPRESS WRITTEN CONSENT FROM BEHRINGER.



REVISIONS		E (18/02/09)	
DRAWN	PH	CHECKED	DATE 20.10. 9 11:31

BUGERA

PROJECT	PSU6
BUGERA	AC MAINS PCB
SHEET 1 OF 1 SHEETS TOTAL	

THIS DOCUMENT CONTAINS PROPRIETARY INFORMATION WHICH IS THE PROPERTY OF BEHRINGER. THAT MAY NOT BE DISCLOSED, REPRODUCED OR USED WITHOUT EXPRESS WRITTEN CONSENT FROM BEHRINGER.

Hi Pcb Assemblies

	Quantity	Unit	S.Sku	M.Sku	Description	Reference Designators	Notes
1	1.0000	PC	Q05-00000-07237	A05-00000-07237	PCB ASSEMBLY;BDM2;REV:B;HAND INSERT;NO.822090		
2	1.0000	PC	Q05-80301-08367	A05-80301-08367	PCB ASSEMBLY;P0803;PCB:01;MAIN;REV:B;HAND INSERT;NO:919020		
3	1.0000	PC		A05-80302-08369	PCB ASSEMBLY;P0803;PCB:02;REAR;REV:B;HAND INSERT;NO:920020		
4	1.0000	PC	Q05-A5100-07609	A05-A5100-07609	PCB ASSEMBLY;POA51;REV:A;HAND INSERT;NO:828100		
5	1.0000	PC		A05-00000-09362	PCB ASSEMBLY;PSU6;VINTAGE;EU-UK-CCC-SAA;REV:E;HAND INSERT;NO.903040		(EU, UL, JP, UK, SAA, BR, AR, HM, SH, RU)
6	1.0000	PC		A05-00000-09362	PCB ASSEMBLY;PSU6;VINTAGE;EU-UK-CCC-SAA;REV:E;HAND INSERT;NO.903040		

Cable

	Quantity	Unit	S.Sku	M.Sku	Description	Reference Designators	Notes
1	1.0000	PC		A81-15000-26042	WIRE HARNESS;LENGTH:150mm;AWG:26;POLES:2;HOUSING - BOARD IN CONNECTOR;P:2mm;PIN1 RED/OTHERS BLK		
2	1.0000	PC		A81-15000-26842	WIRE HARNESS;LENGTH:150mm;ZEE;AWG:26;UL2468;POLES:2;HOUSING - BOARD IN CONNECTOR;P:2mm;PIN1 RD/OTHERS BK	[P0803:01: {1.0}(PCB112)]	
3	1.0000	PC		A81-18070-32023	WIRE HARNESS;LENGTH:180mm;POLES:3;AWG:18;UL1015;ONE SIDE 5mm STRIP/TINNED;PIN2 HAVE NO CONNECTION		
4	1.0000	PC		A81-18070-32823	WIRE HARNESS;LENGTH:180mm;ZEE;POLES:3;AWG:18;UL1015;ONE SIDE 7mm STRIP/TINNED;PIN2 HAVE NO CONNECTION		
5	1.0000	PC		A81-18170-52023	WIRE HARNESS;LENGTH:180mm;POLES:5;AWG18;UL1015;ONE SIDE 2*5mm+12mm STRIP/TINNED;PIN2 AND PIN4 HAVE NO CONNECTION		
6	1.0000	PC		A81-18170-52823	WIRE HARNESS;LENGTH:180mm;ZEE;POLES:5;AWG18;UL1015;ONE SIDE 2*7mm+12mm STRIP/TINNED;PIN2 AND PIN4 HAVE NO CONNECTION		
7	1.0000	PC		A81-19030-36045	WIRE HARNESS;LENGTH:190mm;AWG:26;P:2mm;HOUSING-BOARD IN CONNECTOR;POLES:3;A2006H;PIN1 RED/OTHERS BLK		
8	1.0000	PC		A81-19030-36845	WIRE HARNESS;LENGTH:190mm;ZEE;AWG:26;UL2468;P:2mm;HOUSING-BOARD IN CONNECTOR;POLES:3;A2006H;PIN1 RD/OTHERS BK	[P0803:01: {1.0}(PCB129)]	
9	1.0000	PC		A81-27070-22022	WIRE HARNESS;LENGTH:270mm;POLES:2;AWG:18;UL1015;ONE SIDE 5mm STRIP/TINNED;PIN1 RED/OTHERS BLK		
10	1.0000	PC		A81-27070-22822	WIRE HARNESS;LENGTH:270mm;ZEE;POLES:2;AWG:18;UL1015;ONE SIDE 7mm STRIP/TINNED;PIN1 RD/OTHERS BK		
11	1.0000	PC		A81-45000-46042	WIRE HARNESS;LENGTH:450mm;AWG:26;P:2mm;HOUSING-BOARD IN CONNECTOR;POLES:4;PIN1 RED/OTHERS BLK;PIN 2 IS SHIELDED	[P0803:01: {1.0}(PCB130)]	
12	1.0000	PC		A81-45000-46842	WIRE HARNESS;LENGTH:450mm;ZEE;AWG:26;P:2mm;HOUSING-BOARD IN CONNECTOR;POLES:4;PIN1 RED/OTHERS BLK;PIN 2 IS SHIELDED	[P0803:01: {1.0}(PCB130)]	
13	1.0000	PC	Q88-45002-03732	A88-45002-03732	CABLE;SPEAKER;P0667;LENGTH:450mm;AWG:18;UL1015;6mm35 MONO JACK CONNECTOR ANGLED/2-5.2mm AMP LOCK TAPE;COLOR:BLACK/RED		
14	1.0000	PC	Q89-50031-04316	A89-50031-04316	FOOTSWITCH CABLE;F5112;LENGTH:5000mm;POLES:3;COLOR:BLK;SPEC.NO:04316		
15	1.0000	PC	Q76-15042-05624	A76-15042-05624	CABLE;AC-CORD;W/POLYBAG;LENGTH:150cm;H05VV-F3G0.75MM2;VERSION;UK;SPEC.NO:05624		(UK)
16	1.0000	PC	Q76-00000-05305	A76-00000-05305	CABLE;AC-CORD;3;BR;1500 MM;Plug + Connector:375+730;H05VV-F 3G0.75		(BR)
17	1.0000	PC	Q76-15212-03119	A76-15212-03119	CABLE;AC-CORD;W/POLYBAG;LENGTH:152cm;H05VV-F 3G 0.75MM2;VERSION;EU;SPEC.NO:03119		(EU, RU)
18	1.0000	PC	Q76-15222-06417	A76-15222-06417	CABLE;AC-CORD;W/POLYBAG;LENGTH:152cm;AWG:18;VERSION;UL;SPEC.NO:06417		(UL)
19	1.0000	PC	Q76-15032-55649	A76-15032-55649	CABLE;AC-CORD;CLASS II;W/POLYBAG;JAPAN;LENGTH:150cm;POLES:3;APPROVAL:PSE;JS15S 3 + VCTF 3x0.75mm2 + V1528		(JP, HM, SH)
20	1.0000	PC	Q76-00000-13573	A76-00000-13573	CABLE;AC-CORD;3;AR;1500 MM;Plug + Connector:321+730;H05VV-F 3G0.75		(AR)
21	0.0000	PC		A76-18050-06505	CABLE;AC-CORD;LENGTH:180cm;VERSION:SAA;PLUG:HE105 ISOLATED;SAA H05VV-F 3x0.75mm2;CONN.HP-3;PANYU		(SAA)
22	1.0000	PC	Q76-18050-47490	A76-18050-47490	CABLE;AC-CORD;LENGTH:180cm;VERSION:SAA;PLUG:HE105 ISOLATED;SAA H05VV-F 3x0.75mm2;CONN.HP-3;SPEC.NO:47490		(SAA)

Capacitor

	Quantity	Unit	S.Sku	M.Sku	Description	Reference Designators	Notes
1	2.0000	PC			CAP E;47uF;16V;PITCH:2mm5;5mm x 11mm;VERTICAL 12.7-15-9mm	[BDM2:00: {1.0}(C1)]	*NOT available in DP
2	1.0000	PC			CAP E;4uF7;25V;PITCH:2mm5;5mm x 11mm;VERTICAL 12.7-15-9mm	[B:00: {1.0}(C5)]	*NOT available in DP
3	2.0000	PC			CAP E;10uF;25V;PITCH:2mm5;5mm x 11mm;VERTICAL 12.7-15-9mm	[BDM2:00: {1.0}(C6)]	*NOT available in DP
4	1.0000	PC			CAP E;47uF;25V;PITCH:2mm5;5mm x 11mm;VERTICAL 12.7-15-9mm	[BDM2:00: {1.0}(C4)]	*NOT available in DP
5	1.0000	PC			CAP E;100uF;25V;PITCH:2mm5;6mm x 12mm;VERTICAL 12.7-15-9mm	[BDM2:00: {1.0}(C7)]	*NOT available in DP
6	1.0000	PC			CAP CER;100pF;50V;10%;PITCH:5mm;DISC;VERTICAL 12.7-15-9mm	[P0803:01: {1.0}(C50)]	*NOT available in DP
7	1.0000	PC			CAP CER;220pF;50V;10%;PITCH:5mm;DISC;VERTICAL 12.7-15-9mm	[P0803:01: {1.0}(C43)]	*NOT available in DP
8	3.0000	PC			CAP CER;470pF;50V;10%;PITCH:5mm;DISC;VERTICAL 12.7-15-9mm	[P0803:01: {3.0}(C20,C23,C46)]	*NOT available in DP
9	1.0000	PC			CAP CER;680pF;50V;10%;PITCH:5mm;DISC;VERTICAL 12.7-15-9mm	[P0803:01: {1.0}(C44)]	*NOT available in DP
10	1.0000	PC			CAP CER;100nF;50V;20%;PITCH:5mm;DISC;VERTICAL 12.7-15-9mm	[P0803:01: {1.0}(C40)]	*NOT available in DP
11	1.0000	PC			CAP CER;39pF;50V;10%;PITCH:5mm;DISC	[P0803:01: {1.0}(C22)]	*NOT available in DP
12	2.0000	PC			CAP CER;20pF;50V;20%;SMT603	[BDM2:00: {2.0}(C10-C11)]	*NOT available in DP
13	2.0000	PC			CAP CER;220pF;50V;10%;SMT603	[BDM2:00: {2.0}(C3,C17)]	*NOT available in DP
14	1.0000	PC			CAP CER;2nF2;50V;10%;SMT603	[BDM2:00: {1.0}(C19)]	*NOT available in DP
15	1.0000	PC			CAP CER;3nF3;50V;10%;SMT603	[BDM2:00: {1.0}(C16)]	*NOT available in DP
16	1.0000	PC			CAP CER;8nF2;50V;10%;SMT603	[BDM2:00: {1.0}(C18)]	*NOT available in DP
17	13.0000	PC			CAP CER;100nF;50V;X7R;10%;SMT805	[BDM2:00: {8.0}(C9,C12-C15,C20-C22)]	*NOT available in DP
18	1.0000	PC			CAP FILM;10nF;250V;MPF;10%;PITCH:5mm;BOX;VERTICAL 12.7-15-9mm	[P0803:01: {1.0}(C29)]	*NOT available in DP
19	1.0000	PC			CAP FILM;220nF;50V;MPF;10%;PITCH:5mm;BOX;VERTICAL 12.7-15-9mm	[P0803:01: {1.0}(C45)]	*NOT available in DP
20	1.0000	PC			CAP FILM;1nF;63V;MPF;10%;PITCH:5mm;BOX;VERTICAL 12.7-15-9mm	[P0803:01: {1.0}(C49)]	*NOT available in DP
21	1.0000	PC			CAP FILM;1nF5;63V;MPF;5%;PITCH:5mm;BOX;VERTICAL 12.7-15-9mm	[P0803:01: {1.0}(C38)]	*NOT available in DP
22	1.0000	PC			CAP FILM;15nF;63V;MPF;5%;PITCH:5mm;BOX;VERTICAL 12.7-15-9mm	[P0803:01: {1.0}(C48)]	*NOT available in DP
23	2.0000	PC			CAP FILM;22nF;63V;MPF;10%;PITCH:5mm;BOX;VERTICAL 12.7-15-9mm	[P0803:01: {2.0}(C41-C42)]	*NOT available in DP
24	1.0000	PC			CAP FILM;47nF;63V;MPF;5%;PITCH:5mm;BOX;VERTICAL 12.7-15-9mm	[P0803:01: {1.0}(C52)]	*NOT available in DP
25	1.0000	PC			CAP FILM;4nF7;63V;MPF;10%;PITCH:5mm;BOX;VERTICAL 12.7-15-9mm	[P0803:01: {1.0}(C30)]	*NOT available in DP
26	1.0000	PC			CAP FILM;220nF;100V;MPF;10%;PITCH:5mm;BOX;PRECUT:3mm1 +/-0mm5	[P0803:02: {1.0}(C1)]	*NOT available in DP
27	2.0000	PC			CAP E;22uF;350V;20%;PITCH:5mm;12mm5 x 20mm;105 C;VERTICAL 12.7-15-9mm	[P0803:01: {2.0}(C7,C10)]	*NOT available in DP
28	1.0000	PC			CAP E;47uF;450V;20%;PITCH:7mm5;18mm x 25mm;PRECUT:3mm2-0/+0mm2;105 C	[P0803:01: {1.0}(C6)]	*NOT available in DP
29	1.0000	PC			CAP E;100uF;450V;20%;PITCH:7mm5;18mm x 36mm;PRECUT:3mm2-0/+0mm2;105 C	[P0803:01: {1.0}(C8)]	*NOT available in DP
30	1.0000	PC	R12-32100-04351	B12-32100-04351	CAP X2;100nF;275V;PITCH:15mm;CASE:8mm5 x 18mm;CASE:8mm5 x 18mm;PRECUT:3.1mm +/-0mm5	[PSU6:00: {1.0}(C1)]	
31	3.0000	PC			CAP CER;10nF;1KV;20%;PITCH:10mm;DISC;PRECUT:3mm1 +/-0mm5	[P0803:01: {3.0}(C9,C17,C28)]	*NOT available in DP
32	1.0000	PC			CAP FILM;1nF;400V;MPF;10%;PITCH:5mm;BOX;VERTICAL 12.7-15-9mm	[P0803:01: {1.0}(C12)]	*NOT available in DP
33	3.0000	PC			CAP FILM;22nF;400V;MPF;10%;PITCH:5mm;VERTICAL 12.7-15-9mm	[P0803:01: {3.0}(C15,C21,C31)]	*NOT available in DP
34	2.0000	PC			CAP FILM;47nF;400V;MPF;10%;PITCH:5mm;BOX;VERTICAL 12.7-15-9mm	[P0803:01: {2.0}(C13,C26)]	*NOT available in DP
35	3.0000	PC			CAP FILM;100nF;250V;MPF;10%;PITCH:5mm;VERTICAL 12.7-15-9mm	[P0803:01: {3.0}(C18-C19,C27)]	*NOT available in DP

	Quantity	Unit	S.Sku	M.Sku	Description	Reference Designators	Notes
36	1.0000	PC			CAP E;10uF;16V;20%;PITCH:2mm5;5mm x 11mm;105C;VERTICAL 12.7-15-9mm	[P0803:01: {1.0}(C39)]	*NOT available in DP
37	3.0000	PC			CAP E;10uF;25V;PITCH:2mm5;5mm x 11mm;105C;VERTICAL 12.7-15-9mm	[P0803:01: {3.0}(C35-C36,C47)]	*NOT available in DP
38	4.0000	PC			CAP E;22uF;25V;PITCH:2mm5;5mmx11mm;VERTICAL 12.7-15-9mm	[P0803:01: {4.0}(C11,C14,C16,C25)]	*NOT available in DP
39	1.0000	PC			CAP E;47uF;25V;PITCH:2mm5;5mm x 11mm;105C;VERTICAL 12.7-15-9mm	[P0803:01: {1.0}(C37)]	*NOT available in DP
40	1.0000	PC			CAP E;47uF;35V;20%;PITCH:2mm5;5mm x 11mm;105C;VERTICAL 12.7-15-9mm	[P0803:01: {1.0}(C34)]	*NOT available in DP
41	1.0000	PC			CAP E;100uF;35V;PITCH:2mm5;6mm3 x 11mm;105C;VERTICAL 12.7-15-9mm	[P0803:01: {1.0}(C53)]	*NOT available in DP
42	1.0000	PC			CAP E;1uF;50V;PITCH:2mm5;5mm x 11mm;105C;VERTICAL 12.7-15-9mm	[P0803:01: {1.0}(C24)]	*NOT available in DP
43	2.0000	PC			CAP E;2mF2;35V;20%;PITCH:7mm5;16mm x 25mm;PRE CUT:3mm2 - 0/+0mm2;105C	[P0803:01: {2.0}(C32-C33)]	*NOT available in DP

Circuit Protector

	Quantity	Unit	S.Sku	M.Sku	Description	Reference Designators	Notes
1	8.0000	PC	R21-15201-52000	B21-15201-52000	FUSE CLIP;2 A;V;ZINC PLATING;250V;SERIES;520;FUSE;250 V;PLATING		F1,F2,F3,F4
2	1.0000	PC		B22-00613-50001	FUSE;5A;250V;5mm*20mm;FAST;HIGH BREAKING CAPACITY	[P0803:01: {1.0}(F4)]	
3	1.0000	PC		B22-01613-10001	FUSE;1A0;250V;FAST BLOW;H-TYPE;5mm x 20mm	[P0803:01: {1.0}(F1)]	
4	2.0000	PC	R22-01513-10001	B22-01513-10001	FUSE;1A0;250V;SLOW BLOW;H-TYPE;5mm x 20mm	[P0803:01: {2.0}(F2-F3)]	(EU, UK, SAA, AR, RU)
5	1.0000	PC	R22-01512-63001	B22-01512-63001	FUSE;630mA;250V;SLOW BLOW;H-TYPE;5mm x 20mm		(EU, UK, SAA, AR, RU)
6	3.0000	PC	R22-01513-10001	B22-01513-10001	FUSE;1A0;250V;SLOW BLOW;H-TYPE;5mm x 20mm		(UL, JP, BR, HM, SH)
7	8.0000	PC	R21-15201-52000	B21-15201-52000	FUSE CLIP;2 A;V;ZINC PLATING;250V;SERIES;520;FUSE;250 V;PLATING		(EU, UL, JP, UK, SAA, BR, AR, HM, SH)

Coil

	Quantity	Unit	S.Sku	M.Sku	Description	Reference Designators	Notes
1	1.0000	PC	R39-00000-03394	B39-00000-03394	COIL;SMD;BEAD;SMD0805;(BLM21BD751SN1D)	[BDM2:00: {1.0}(L1)]	

Connector

	Quantity	Unit	S.Sku	M.Sku	Description	Reference Designators	Notes
1	7.0000	PC	R84-22000-06018	B84-22000-06018	CRIMP TERMINAL;PITCH:3mm96;AWG18-22;A3963TOP-2		
2	9.0000	PC	R84-25016-06014	B84-25016-06014	CRIMP TERMINAL;PITCH:2mm0;AWG24-30;A2008TOP-2		
3	1.0000	PC	R84-30046-39242	B84-30046-39242	CONNECTOR;AMP CONN TERMINAL;MATERIAL:PAPER FIBRE;QUADRUPLE;(BWF38703003-TERMINAL-REVA.DWG)		
4	1.0000	PC	R84-42050-00155	B84-42050-00155	CRIMP CONNECTOR;LUG;INNER DIA:4mm3;AWG 14-18;WIRE MOUNT;STRAIGHT		

Diode

	Quantity	Unit	S.Sku	M.Sku	Description	Reference Designators	Notes
1	3.0000	PC			DIODE;1N4148;DO35	[P0803:01:{3.0}(D13-D14,D17)]	*NOT available in DP
2	8.0000	PC			DIODE;1N4007;DO41	[P0803:01:{8.0}(D5-D12)]	*NOT available in DP
3	6.0000	PC			DIODE;LL4148;LL34;TEMIC OR FC;SMD	[BDM2:00:{2.0}(D1-D2)]	*NOT available in DP
4	1.0000	PC			DIODE;ZD5V1;DO41	[P0803:01:{1.0}(D16)]	*NOT available in DP
5	2.0000	PC			DIODE;ZD5V6;BZX85C5V6;DO41	[P0A51:00:{2.0}(D1-D2)]	*NOT available in DP
6	1.0000	PC			DIODE;ZD15V0;BZX85C15;DO41	[P0803:01:{1.0}(D15)]	*NOT available in DP

Hardware

	Quantity	Unit	S.Sku	M.Sku	Description	Reference Designators	Notes
1	45.0000	PC			NAIL;CROWN:2mm2;WIDTH:1mm27;THICKNESS:1mm0;LENGTH:25mm;18-GAUGE (0.49*0.40) FINISH;GALVANIZED		*NOT available in DP
2	45.0000	PC			NAIL;CROWN:2mm2;WIDTH:1mm27;THICKNESS:1mm0;LENGTH:30mm;18-GAUGE (0.49*0.40) FINISH;GALVANIZED		*NOT available in DP
3	55.0000	PC			NAIL;STAPLE;CROWN 10mm;LEGLNGTH:10mm;WIDTH:1.2mm;THICKNESS:0mm6;FINISH:GALVANIZED		*NOT available in DP
4	110.0000	PC			NAIL;STAPLE;CROWN 10mm;LEGLNGTH:6mm;WIDTH:1.2mm;THICKNESS:0mm6;FINISH:GALVANIZED		*NOT available in DP
5	8.0000	PC			CABLE TIE;NYLON;4in;COLOR:		*NOT available in DP
6	1.0000	PC			WIRECLAMP;LUG:4mm4;LENGTH:56mm;OUTER DIA:8mm;PLASTIC COVERED STEEL;COLOR:BLK		*NOT available in DP
7	1.4360	G			SCREWLOCK;SPEC.NO:01090		*NOT available in DP
8	4.0000	PC			NUT;M;3 MM;3.2 MM;HEX WASHER;7.3 MM;ZINC;BLUE;HEXAGON REC.;0.5 MM;M3*0.5mm NUT WITH TEETH EXTERNAL WASHER		*NOT available in DP
9	2.0000	PC			HEX.NUT T-NUT;1.11 MM;4 MM;17 MM;NICKEL;SILVER;OCT. NUT;7/16" x G20		*NOT available in DP
10	24.0000	PC			T-NUT;INNER DIA;M4mm;W/PRONG;SURFACE:ZINC/BLACK		*NOT available in DP
11	1.0000	PC			HEX. NUT;INNER DIA;M4mm;SURFACE:ZINC		*NOT available in DP
12	4.0000	PC			HEX. NUT;INNER DIA;M5mm;SURFACE:ZINC		*NOT available in DP
13	8.0000	PC			T-NUT;INNER DIA;M5mm;THICK:8mmW/PRONG;SURFACE:ZINC;COLOR:BLACK		*NOT available in DP
14	9.0000	PC			HEX. NUT;THREAD:9mm;THICKNESS:2mm;PITCH:0mm75;SURFACE:NICKEL;(PHONE JACK)		*NOT available in DP
15	5.0000	PC			OCT. NUT;FOR JACK;3/8in;OCTWRENCH:14.5mm;THICKNESS:3.5mm;SURFACE:NICKEL/SILVER		*NOT available in DP
16	2.0000	PC			STEEL ROUND NUT WITH HOLE;INNER DIA:12mm;M12;ROUND;PITCH=0.75mm;SURFACE:ZINC		*NOT available in DP
17	1.0000	PC			HEX. NUT;INNER DIA:13mm;SURFACE:ZINC		*NOT available in DP
18	5.0000	PC		F87-00100-13260	12AX7 GROMMET;P0806;DST.NO:001;DPT.NO:13260;(P0806-12AX7_GROMMET-REVA.DWG)		USE UP STOCK.
19	2.0000	PC	V87-00200-10103	F87-00200-10103	RUBBER BUSHING;I00172P;DST.NO:002;DPT.NO:10103;(I00172P-RUBBER_BUSHING-REVB.dwf)		
20	2.0000	PC		F87-01000-12070	PAD;RUBBER;6mm*2mm5;COLOR:BLK;DWG.NO:12070;(R14-GUITAR-RUBBERPAD-REVB.DWG)		
21	21.0000	PC			SCREW;A;4 MM;13 MM;PAN;ZINC;BLACK;2.84 MM;SC;A4*13mm		*NOT available in DP
22	2.0000	PC			SCREW;M3mm*3mm;HEAD:PAN WASHER DIA 4mm5;INSERT:PHILIPS REC.;SURFACE:BLACK/ZINC		*NOT available in DP
23	12.0000	PC			SCREW;M3mm*4mm;HEAD:PAN;INSERT:PHILIPS REC.;SURFACE:BLACK/ZINC		*NOT available in DP
24	1.0000	PC			SCREW;M3mm*6mm;HEAD:PAN;INSERT:PHILIPS REC.;SURFACE:NICKEL		*NOT available in DP
25	15.0000	PC			SCREW;M3mm*6mm;HEAD:PAN;INSERT:PHILLIPS REC.;SURFACE:BLACK/ZINC		*NOT available in DP
26	4.0000	PC			SCREW;M3mm*6mm;PITCH:0mm5;HEAD:FLAT;INSERT:PHILIPS REC.;SURFACE:BLACK/ZINC		*NOT available in DP
27	1.0000	PC			SCREW;M3mm*7mm;HEAD:PAN;INSERT:PHILIPS REC.;SURFACE:BLACK/ZINC		*NOT available in DP
28	4.0000	PC			SCREW;BT3mm*8mm;HEAD:PAN;INSERT:PHILIPS REC.;SURFACE:ZINC		*NOT available in DP
29	2.0000	PC			SCREW;M3mm*9mm;HEAD:PAN;INSERT:PHILIPS REC.;SURFACE:BLACK/ZINC		*NOT available in DP

	Quantity	Unit	S.Sku	M.Sku	Description	Reference Designators	Notes
30	4.0000	PC			SCREW;M3mm*10mm;HEAD:PAN;INSERT:PHILIPS REC.;SURFACE:BLACK/ZINC		*NOT available in DP
31	1.0000	PC			SCREW;M4mm*10mm;HEAD:BINDING;INSERT:PHILIPS REC.;SURFACE:SILVER/ZINC		*NOT available in DP
32	2.0000	PC			SCREW;M4mm*16mm;HEAD:TRUSS;INSERT:PHILIPS REC.;SURFACE:BLACK/ZINC		*NOT available in DP
33	4.0000	PC			SCREW;M4mm*25mm;HEAD:PAN;INSERT:PHILIPS REC.;SURFACE:BLACK/ZINC		*NOT available in DP
34	6.0000	PC			SCREW;M4mm*28mm;HEAD:TRUSS;INSERT:PHILIPS REC.;SURFACE:BLACK/ZINC		*NOT available in DP
35	10.0000	PC			SCREW;A4mm*32mm;HEAD:PAN WASHER;INSERT:PHILIPS REC.;SURFACE:BLACK/ZINC		*NOT available in DP
36	4.0000	PC			SCREW;M4mm*33mm;HEAD:OVAL;INSERT:PHILIPS REC.;SURFACE:BLACK/ZINC		*NOT available in DP
37	12.0000	PC			SCREW;M4mm*34mm;HEAD:TRUSS;INSERT:PHILIPS REC.;SURFACE:ZINC/BLACK		*NOT available in DP
38	4.0000	PC			SCREW;M5mm*12mm;HEAD:PAN;INSERT:PHILIPS REC.;SURFACE:BLACK/ZINC		*NOT available in DP
39	4.0000	PC			SCREW;M5mm*22mm;HEAD:OVAL;INSERT:PHILIPS REC.;SURFACE:SILVER/CHROME		*NOT available in DP
40	4.0000	PC			SCREW;M5mm*23mm;HEAD:PAN;INSERT:PHILIPS REC.;SURFACE:BLACK/ZINC		*NOT available in DP
41	1.0000	PC			METAL;SHIELD;P0803;DST.NO:002;DPT.NO:14430;(P0803-SHIELD- REVB.DWG)		*NOT available in DP
42	1.0000	PC			SILICA GEL;MASS;30g;SPEC.NO:30QB-BB2001-4		*NOT available in DP
43	4.0000	PC			CLIP-ON NUT;SQUARE STYLE;FOR M4 NUTS;PANEL THICKNESS:0mm4 TO 0mm6;SURFACE:ZINC/SILVER;(LAN-XIN LXJ12A)		*NOT available in DP
44	2.0000	PC			SPRING;CYLINDRICAL;FS112;6mm*14mm8;CARBON STEEL;DWG. NO:04288;(R14-FCB1010-SPRING-REVA.DWG)		*NOT available in DP
45	2.0000	PC			STUD;THREAD-DIA;3mm;LENGTH:10mm9;INT/INT		*NOT available in DP
46	0.0500	M			SHRINKING TUBE;INNER DIA;1mm;SPEC.NO:43217		*NOT available in DP
47	0.0700	M			SHRINKING TUBE;INNER DIA;3mm;SPEC.NO:01097		*NOT available in DP
48	0.1900	M			SHRINKING TUBE;INNER DIA;4mm;SPEC.NO:01098		*NOT available in DP
49	5.0000	PC			WASHER;9.7 MM;16 MM;NICKEL;WHITE;WASHER;FLAT;DIM:9.7*16*0.5mm;NIC		*NOT available in DP
50	2.0000	PC			WASHER;10.9 MM;0.5 MM;18 MM;NICKEL;SILVER;PLAIN		*NOT available in DP
51	1.0000	PC			WASHER;PLAIN;INNER DIA:3mm;OUTER DIA:6mm;THICKNESS:0mm5		*NOT available in DP
52	4.0000	PC			WASHER;PLAIN;INNER DIA:4mm;OUTER DIA:10mm;THICKNESS:1mm;PLATING:BLACK/ZINC		*NOT available in DP
53	4.0000	PC			WASHER;PLAIN;INNER DIA:5mm;OUTER DIA:11mm;THICKNESS:1mm;PLATING:BLACK/ZINC		*NOT available in DP
54	9.0000	PC			WASHER;PLAIN;INNER DIA:9mm6;OUTER DIA:13mm;THICKNESS:0mm5;PLATING:NICKEL		*NOT available in DP
55	4.0000	PC			WASHER;PLAIN;INNER DIA:12mm3;OUTER DIA:16mm6;THICKNESS:0mm5;SURFACE:NICKEL/SILVER		*NOT available in DP
56	4.0000	PC			WASHER;SPRING;INNER DIA:5mm;OUTER DIA:8mm;THICKNESS:1mm7		*NOT available in DP
57	1.0000	PC			WASHER;SPRING;INNER DIA:14mm5;OUTER DIA:17mm;THICKNESS:1mm5;PLATING:NICKEL		*NOT available in DP
58	1.0000	PC			WASHER;EXTERNAL TEETH;INNER DIA:3mm;OUTER DIA:6mm;THICKNESS:0mm5		*NOT available in DP
59	2.0000	PC			WASHER;EXTERNAL TEETH;INNER DIA:4mm;OUTER DIA:7mm;THICKNESS:1mm7		*NOT available in DP
60	4.0000	PC			WASHER;DONUT;INNER DIA:5mm5;OUTER DIA:16mm;THICKNESS:2mm6;PLATING:BLACK/ZINC		*NOT available in DP

	Quantity	Unit	S.Sku	M.Sku	Description	Reference Designators	Notes
61	0.1240	G		F97-00100-02478	PAPER,KRAFT;WIDTH:300mm;THICKNESS:0mm05		
62	1.0000	PC		F97-00100-14822	PLASTIC;I00512P;COVER SHEET;DST.NO:001;DPT.NO:14822;(I00512P-COVER_SHEET-REVA)		
63	1.0000	PC		F97-00100-14964	MI;INSULATION SHEET;P0803;DST.NO:001;DPT.NO:14964;(P0803-INSULATION_SHEET-REVA.DWG)		
64	2.0000	PC		F97-00100-15426	PA-P0803/PAPERBOARD_A;DST.NO:001;DPT.NO:15426;(REVA)		
65	2.0000	PC		F97-00100-15427	PA-P0803/PAPERBOARD_B;DST.NO:001;DPT.NO:15427;(REVA)		
66	1.0000	PC		F97-17000-04145	SHEET;FOAM;FOOTSWITCH;FS112;W/ DURABLE ADHESIVE;DWG.NO:04145;(R14-GX112-FOAM-REVA.DWG)		
67	1.0000	PC			BUSHING;CABLE;FS112;NYLON;DWG.NO:04141;(R14-CABLEBUSHING-REVA.DWG)		*NOT available in DP
68	5.0000	PC		F87-00100-13260	12AX7 GROMMET;P0806;DST.NO:001;DPT.NO:13260;(P0806-12AX7_GROMMET-REVA.DWG)		(EU, UL, JP, UK, SAA, BR, AR, HM, SH)

Ic

	Quantity	Unit	S.Sku	M.Sku	Description	Reference Designators	Notes
1	1.0000	PC	S60-54422-00528	C60-22422-00528	IC;AD/DA;V4220M;SSOP	[BDM2:00: {1.0}(IC2)]	
2	1.0000	PC	S73-58007-22208	C73-58007-22208	IC;OPAMP OPAMP;TL072;SOP;BRAND:ST ONLY	[BDM2:00: {1.0}(IC5)]	
3	1.0000	PC	S77-00000-09882	C77-00000-09882	IC;VOLT.REGULATOR;TO220;3;NATIONAL SEMICONDUCTOR LM7815CT	[P0803:01: {1.0}(IC3)]	
4	1.0000	PC	S77-05107-03110	C77-05107-03110	IC;VOLT.REGULATOR;7805F;FULLPACK;TO220	[BDM2:00: {1.0}(IC1)]	
5	1.0000	PC	T12-00100-02216	D12-00100-02217	IC;DIG COMM.;EUROTEC;V1000;SOIC	[BDM2:00: {1.0}(IC3)]	
6	1.0000	PC	T22-31001-40514	D22-31001-40514	IC;LOGIC;74HC14;SOP	[P0803:01: {1.0}(IC1)]	
7	1.0000	PC	T22-31007-40514	D22-31007-40514	IC;LOGIC;74HC74;SOP	[P0803:01: {1.0}(IC2)]	
8	1.0000	PC	T24-48030-02803	D24-48030-02803	IC;MICROCONTROLLER;MAX809STRG;Vth:2.93V;SOT	[BDM2:00: {1.0}(IC4)]	

Led

	Quantity	Unit	S.Sku	M.Sku	Description	Reference Designators	Notes
1	1.0000	PC	U10-51610-05431	E10-51610-05431	LED HIB;3mm ROUND;AMBER;VERTICAL;NO RING;WAVELENGTH;610 nm	[P0803:01: {1.0}(LD1)]	
2	1.0000	PC	U10-53565-00588	E10-53565-00588	LED HIB;3mm ROUND;GREEN	[P0A51:00: {1.0}(LD2)]	
3	1.0000	PC	U12-57630-00590	E12-57630-00590	LED;3mm ROUND;RD	[P0A51:00: {1.0}(LD1)]	

Metal Part

	Quantity	Unit	S.Sku	M.Sku	Description	Reference Designators	Notes
1	1.0000	PC		A60-00000-02423	METAL;P0803;SECC 1.5mm;PLATE;STAMPING;TRAFO_PLATE1;REV:A		
2	1.0000	PC		A60-00000-02424	METAL;P0803;SECC 1.5mm;PLATE;STAMPING;TRAFO_PLATE2;REV:A		
3	1.0000	PC		A60-00000-02425	METAL;P0803;SPCC 2.5mm;PLATE;STAMPING;POWDER COATING;BLACK;FRONTBOARD_PLATE;REV:A		
4	1.0000	PC		A62-00000-86271	METAL;P0B21;STEEL 1.0mm;BLUE;FRAME;FR307S02F		
5	1.0000	PC		A62-07400-18216	METAL;BOTTOM;F5112G;BLACK;DWG.NO:18216;(R14-GX-FOOTBOTTOM-REVC.DWG)		
6	1.0000	PC	Q63-01000-22288	A63-01000-22288	METAL;HEATSINK;P0195;DWG.NO:22288;(R21-EP1500-HEATSINK03-REVB.DWG)		
7	1.0000	PC		A65-00001-23801	METAL;P0846;MATERIAL:STEEL, LOW CARBON;PLATING WHITE ZINC;LS-TY115S02M		
8	0.6800	G		A65-00100-03219	METAL;FOIL;KAPTON;WIDTH:28 mm;THICKNESS:0.125 mm		
9	1.0000	PC		A65-00100-10104	METAL;TOP PLATE;TP115S02E[R];F115*F39.2*6H F60-4*F5;PLATING WEIGHT:408G;DST.NO:001;DPT.NO:10104;(LS-TP115S02E-REVA.DWG)		
10	1.0000	PC		A65-00100-10105	METAL;TOP PLATE;ROUGHCAST;TPR115S01B[R];F115*F39.2*6H F60-4*F5;DST.NO:001;DPT.NO:10105;(LS-TPR115S01B-REVA.DWG)		
11	1.0000	PC		A65-00100-12313	METAL;TOP PLATE DISCUS;TPD115S01B;DIA:115xDIA:38x6H;DST.NO:001;DPT.NO:12313;(LS-TPD115S01B[R]-REVA.DWG)		
12	8.0000	PC	Q65-00100-13312	A65-00100-13312	METAL;CORNER;P0806;DST.NO:001;DPT.NO:13312;(BG412V-METCORNER-REVA.DWG)		
13	1.0000	PC	Q65-00200-14736	A65-00200-14736	METAL;TUBE COVER;P0803;DST.NO:002;DPT.NO:14736;(P0803-TUBE_COVER-REVB)		
14	2.0000	PC		A65-15000-04134	METAL;SPACER;LENGTH:4mm4;HOLE DIA:3mm5;DWG.NO:04134;(R14-F5112-SPACER-REVA.DWG)		
15	1.0000	PC		J02-00300-14741	METAL;CAGE;P0803;PRINTED;FST.NO:003;DPT.NO:14741;(P0803-METAL_CAGE-REVE.DWG)		
16	1.0000	PC		J02-01400-18217	METAL;COVER;P0A5;BLACK;PRINTED;FST.NO:014;DPT.NO:18217;(GX-FOOTPEDALCOVER-REVD.DWG)		

Plastic Part

	Quantity	Unit	S.Sku	M.Sku	Description	Reference Designators	Notes
1	4.0000	PC	W51-00100-14745	G51-00100-14745	PLASTIC;RUBFOOT;P0738;DST.NO:001;DPT.NO:14745;(P0738-RUBFOOT-REVA.DWG)		
2	2.0000	PC	W52-00100-14962	G52-00100-14962	PLASTIC;PUSH KNOB;I00499P;BLACK CHROME;DST.NO:001;DPT.NO:14962;(I00499P-PUSH_KNOB-REVA)		
3	9.0000	PC	W52-00200-14963	G52-00200-14963	PLASTIC;POTKNOB;100495P;PANTONE 614;DST.NO:002;DPT.NO:14963;(100495P-POTKNOB-REVB.DWG)		
4	2.0000	PC	W52-80500-09382	G52-80500-09382	KNOB;SWITCH;FOOTPEDALS;BLACK;DWG.NO:09382;(R14-GUITAR-SWITCHKNOB1-REVA.DWG)		
5	1.0000	PC	W53-00000-04668	G53-00000-04668	PLASTIC;JEWEL;P0404;AMBER TRANSLUCENT		
6	1.0000	PC	W53-26000-22762	G53-26000-22762	FUSE HOLDER;TYPE:FH-B13HA;250V/10A;SPEC:22762	[PSU6:00: {1.0}{F1}]	
7	1.0000	PC	W53-40900-05211	G53-40900-05211	LEATHER;HANDLE;P0738;BLACK LEATHER+SILVER METAL		
8	1.0000	PC		G58-00100-14444	PLASTIC;PC SHEET;I00498P;DST.NO:001;DPT.NO:14444;(I00498P-PC_SHEET-REVA)		
9	1.0000	PC		G58-00100-14781	PLASTIC;PIPING B;P0803;GOLD;DST.NO:001;DPT.NO:14781;(P0803-PIPING_B-REVA.idw)		
10	1.0000	PC	W58-00200-09291	G58-00200-09291	PLASTIC;BUGERA LOGO;I00315P;BLACK CHROME;DST.NO:002;DPT.NO:09291;(I00315P-BUGERA_LOGO-REVB.DWG)		
11	2.0000	PC		G58-00200-11129	PLASTIC;LED SPACER;MOULDING;BLACK;NO:8LENGTH:9MM;DST.NO:002;DPT.NO:11129;(LED-SPACER9MM.REVB.DWG)		
12	1.0000	PC		G58-00200-14782	PLASTIC;PIPING A;P0803;GOLD;DST.NO:002;DPT.NO:14782;(P0803-PIPING_A-REVB.idw)		
13	1.0000	PC	W58-00300-08619	G58-00300-08619	PLASTIC;SPACER;PC;MOULDING;BLACK;3MM VERTICAL;DST.NO:003;DPT.NO:08619;(I00129P-LED_SPACER-REVC.DWG)		
14	2.0000	PC		G58-01000-22346	PLASTIC;CABLE BUSHING;FOR DIA 12mm SPEAKER CABLE;(R14-PLA-CABLEBUSH-REVC.DWG)		
15	2.0000	PC		G58-53000-25624	PLASTIC;BASE;P0089;ABS;YS1285A;BLACK;FS112 FS114 FCB1010;COLOR:BLK;DWG.NO:25624;(R14-GUITAR-SWITCHBASE1-REVB.DWG)		

Plug Socket

	Quantity	Unit	S.Sku	M.Sku	Description	Reference Designators	Notes
1	2.0000	PC	W64-14152-03710	G64-14152-03710	PLUG;PCB;PLUG;JACK PHONE;STRAIGHTPCB LUGS;MONO 6mm3;DUAL TIP/NO RING CONTACTS;NO NUT/WASHER;METAL BUSHING;(CHUNSHENG PJ-622HA-EP)	[P0803:02: {2.0}(X2,X5)]	
2	3.0000	PC	W64-16212-00005	G64-16212-00005	PLUG;PCB;PLUG;JACK STEREO 6mm3;STRAIGHTPCB LUGS;NO NUT/WASHER;METAL BUSHING;(CHUNSHENG PJ-632HA)	[P0803:02: {3.0}(X1,X3-X4)]	
3	2.0000	PC	W64-25272-06052	G64-25272-06052	PLUG;JACK STEREO 6mm3;ANGLED;W/O MET.RNG.;W/O NUT ONLY;(CHUNG YEN HSJ-064-20-P)	[P0803:01: {2.0}(X32-X33)]	
4	1.0000	PC		G67-30103-01969	SOCKET;AC;PCB MOUNT;COLOR:BLACK;POLES:03;(SS-7B-1-T7NUT2)	[PSU6:00: {1.0}(X1)]	
5	1.0000	PC		G68-04201-33298	PLUG;RCA;SOCKET;(RCA-001MB);FEMALE;POLES:01;CONTACT PLATING:SILVER;STRAIGHT		
6	1.0000	PC		G71-00000-03961	WAFER;V1000-14B,0.35um;LOGIC-3.3V(1P4M)		
7	1.0000	PC		G71-15208-04045	PIN HEADER;POLES:8;STRAIGHT;PITCH:2.54 mm;2 ROWS;PIN-2542M-4;1002-08-5	[P0803:01: {1.0}(X31)]	
8	1.0000	PC	W71-23102-04756	G71-23102-04756	WAFER;POLES:2;STRAIGHT;PITCH:2 mm;1 ROW;TYPE:A2006WV-2P	[P0803:02: {1.0}(X17)]	
9	1.0000	PC	W71-23103-04757	G71-23103-04757	WAFER;POLES:3;STRAIGHT;PITCH:2 mm;1 ROW;TYPE:A2006WV-3P	[P0803:02: {1.0}(X14)]	
10	1.0000	PC	W71-23104-04758	G71-23104-04758	WAFER;POLES:4;STRAIGHT;PITCH:2 mm;1 ROW;TYPE:A2006WV-4P	[P0803:02: {1.0}(X13)]	
11	3.0000	PC	W71-27102-04450	G71-27102-04450	WAFER;POLES:2;STRAIGHT;PITCH:3.96 mm;1 ROW;JS1120-03-S1;NO MIDDLE PIN	[PSU6:00: {1.0}(X4)]	
12	2.0000	PC	W71-27102-04759	G71-27102-04759	WAFER;POLES:2;STRAIGHT;PITCH:3.96 mm;1 ROW;JS1120-02	[P0803:01: {2.0}(X19,X28)]	
13	1.0000	PC		G71-27103-04449	WAFER;POLES:3;STRAIGHT;PITCH:3.96 mm;1 ROW;JS1120-03	[P0803:01: {1.0}(X18)]	
14	1.0000	PC		G71-27105-04760	WAFER;POLES:5;STRAIGHT;PITCH:3.96 mm;1 ROW;JS1120-05-S1;W/O PIN2 AND PIN4	[P0803:01: {1.0}(X25)]	
15	1.0000	PC		G71-35208-04048	PLUG;PIN SOCKET;POLES:8;2 ROWS;STRAIGHT;PITCH:2mm54;(2802-08GS)	[BDM2:00: {1.0}(X1)]	
16	1.0000	PC	W71-43102-05994	G71-43102-05994	PLUG;HOUSING;POLES:2;ROWS:1;STRAIGHT;PITCH:2mm;TYP:A2008		
17	1.0000	PC	W71-43103-05995	G71-43103-05995	PLUG;HOUSING;POLES:3;ROWS:1;STRAIGHT;PITCH:2mm;TYP:A2008		
18	1.0000	PC	W71-43104-05996	G71-43104-05996	PLUG;HOUSING;POLES:4;ROWS:1;STRAIGHT;PITCH:2mm;TYP:A2008		
19	1.0000	PC	W71-47102-05844	G71-47102-05844	PLUG;HOUSING;A3963H02;PITCH:3mm96;POLES:2;ROWS:1;UL94-V0;STRAIGHT		
20	1.0000	PC	W71-47103-05845	G71-47103-05845	PLUG;HOUSING;A3963H02;PITCH:3mm96;POLES:3;ROWS:1;UL94-V0;STRAIGHT		
21	1.0000	PC		G71-47105-05847	PLUG;HOUSING;A3963H02;PITCH:3mm96;POLES:5;ROWS:1;UL94-V0;STRAIGHT		
22	9.0000	PC	W71-80000-05663	G71-80000-05663	BD.-IN-CONN;TERMINAL;SAN-002T-0.8A		
23	1.0000	PC	W71-83102-05642	G71-83102-05642	BOARD-IN-CONNECTOR;POLES:2;ROWS:1;STRAIGHT;PITCH:2 mm		
24	1.0000	PC	W71-83103-05643	G71-83103-05643	BOARD-IN-CONNECTOR;POLES:3;ROWS:1;STRAIGHT;PITCH:2 mm		
25	1.0000	PC	W71-83104-05644	G71-83104-05644	BOARD-IN-CONNECTOR;POLES:4;ROWS:1;STRAIGHT;PITCH:2 mm		
26	5.0000	PC		G73-18509-25299	SOCKET;TUBESOCKET9P;POLES:09;PLATING;VACUUM TUBE;12AX7;CERAMIC;COLOR:WHT;ZINC;GZC9-A;VERSION2	[P0803:01: {5.0}(V1-V5)]	

Power Supply

	Quantity	Unit	S.Sku	M.Sku	Description	Reference Designators	Notes
1	1.0000	PC		J60-63319-05783	TRAFO;AUDIO I/O;EIB3319N1;EAGLERISE		
2	1.0000	PC	Z60-63319-05783	J60-90280-05493	TRAFO;AUDIO I/O;EI0280(R1L);NANHAI NRE		
3	1.0000	PC	Z65-98035-05487	J65-98035-05487	TRAFO;EI;P0803;EI0284;UL 120V;NANHAI NRE		(UL, BR)
4	0.0000	PC	Z65-98034-05486	J65-68034-05779	TRAFO;EI;P0803;EIB3322N1;EU 230V;EAGLERISE		(EU, UK, SAA, AR)
5	1.0000	PC		J65-98034-05486	TRAFO;EI;P0803;EI0282;EU 230V;NANHAI NRE		(EU, UK, SAA, AR, RU)
6	1.0000	PC	Z65-98037-05488	J65-98037-05488	TRAFO;EI;P0803;EI0285;JP 100V;NANHAI NRE		(JP, HM, SH)
7	0.0000	PC		J65-68035-05780	TRAFO;EI;P0803;EIB3321N1;UL 120V;EAGLERISE		(UL, BR)
8	1.0000	PC	Z65-98034-05486	J65-68034-05779	TRAFO;EI;P0803;EIB3322N1;EU 230V;EAGLERISE		(RU)
9	0.0000	PC		J65-68037-05781	TRAFO;EI;P0803;EIB3320N1;JP 100V;EAGLERISE		(JP, HM, SH)

Quarz

	Quantity	Unit	S.Sku	M.Sku	Description	Reference Designators	Notes
1	1.0000	PC	X65-10471-00000	H65-10471-00000	QUARZ;RESONATOR;10MHZ;HC49U FUNDAMENTAL	[BDM2:00: {1.0}{Q1}]	

Resistor

	Quantity	Unit	S.Sku	M.Sku	Description	Reference Designators	Notes
1	4.0000	PC			RESISTOR;CARBON;5ohm1;5%;0W063;SMD603	[BDM2:00: {4.0}(R4-R5,R7-R8)]	*NOT available in DP
2	2.0000	PC			RESISTOR;CARBON;360ohm;5%;0W063;SMD603	[BDM2:00: {2.0}(R13,R17)]	*NOT available in DP
3	1.0000	PC			RESISTOR;CARBON;470ohm;5%;0W063;SMD603	[BDM2:00: {1.0}(R14)]	*NOT available in DP
4	2.0000	PC			RESISTOR;CARBON;1Kohm;5%;0W063;SMD603	[P0803:01: {2.0}(R7,R9)]	*NOT available in DP
5	2.0000	PC			RESISTOR;CARBON;1Kohm2;5%;0W063;SMD603	[BDM2:00: {2.0}(R12,R19)]	*NOT available in DP
6	7.0000	PC			RESISTOR;CARBON;2Kohm2;5%;0W063;SMD603	[BDM2:00: {4.0}(R9-R10,R15-R16)]	*NOT available in DP
7	6.0000	PC			RESISTOR;CARBON;10Kohm;5%;0W063;SMD603	[P0803:01: {6.0}(R10-R11,R13-R16)]	*NOT available in DP
8	2.0000	PC			RESISTOR;CARBON;16Kohm;5%;0W063;SMD603	[BDM2:00: {2.0}(R11,R18)]	*NOT available in DP
9	5.0000	PC			RESISTOR;CARBON;47Kohm;5%;0W063;SMD603	[P0803:01: {5.0}(R4-R6,R12,R18)]	*NOT available in DP
10	1.0000	PC			RESISTOR;CARBON;470Kohm;5%;0W063;SMD603	[P0803:01: {1.0}(R17)]	*NOT available in DP
11	2.0000	PC			RESISTOR;CARBON;1Mohm;5%;0W063;SMD603	[BDM2:00: {1.0}(R3)]	*NOT available in DP
12	1.0000	PC			RESISTOR;CARBON;2ohm2;5%;0W1;SMD805	[BDM2:00: {1.0}(R6)]	*NOT available in DP
13	1.0000	PC			RESISTOR;CARBON;5ohm1;5%;0W1;SMD805	[BDM2:00: {1.0}(R2)]	*NOT available in DP
14	1.0000	PC	Y04-12000-03091	I04-12000-03091	THERMISTOR;NTC;20ohm;+/- 20%;4A;DIA;;PITCH:7mm5;(THINKING SCK-20200MSY)	[PSU6:00: {1.0}(R1)]	
15	1.0000	PC			RESISTOR;CARBON;150ohm;5%;0W25;LEAD WIRE;HORIZONTAL 26-6mm	[P0803:01: {1.0}(R73)]	*NOT available in DP
16	3.0000	PC			RESISTOR;CARBON;1Kohm;5%;0W25;LEAD WIRE;HORIZONTAL 26-6mm	[P0803:01: {3.0}(R64,R67-R68)]	*NOT available in DP
17	1.0000	PC			RESISTOR;CARBON;2Kohm2;5%;0W25;LEAD WIRE;HORIZONTAL 26-6mm	[P0803:01: {1.0}(R65)]	*NOT available in DP
18	4.0000	PC			RESISTOR;CARBON;10Kohm;5%;0W25;LEAD WIRE;HORIZONTAL 26-6mm	[P0803:01: {4.0}(R60,R62,R74-R75)]	*NOT available in DP
19	1.0000	PC			RESISTOR;CARBON;22Kohm;5%;0W25;LEAD WIRE;HORIZONTAL 26-6mm	[P0803:01: {1.0}(R71)]	*NOT available in DP
20	1.0000	PC			RESISTOR;CARBON;47Kohm;5%;0W25;LEAD WIRE;HORIZONTAL 26-6mm	[P0803:01: {1.0}(R56)]	*NOT available in DP
21	1.0000	PC			RESISTOR;CARBON;68Kohm;5%;0W25;LEAD WIRE;HORIZONTAL 26-6mm	[P0803:01: {1.0}(R51)]	*NOT available in DP
22	4.0000	PC			RESISTOR;CARBON;100Kohm;5%;0W25;LEAD WIRE;HORIZONTAL 26-6mm	[P0803:01: {4.0}(R36,R57,R66,R72)]	*NOT available in DP
23	1.0000	PC			RESISTOR;CARBON;150Kohm;5%;0W25;LEAD WIRE;HORIZONTAL 26-6mm	[P0803:01: {1.0}(R46)]	*NOT available in DP
24	3.0000	PC			RESISTOR;CARBON;220Kohm;5%;0W25;LEAD WIRE;HORIZONTAL 26-6mm	[P0803:01: {3.0}(R39-R40,R61)]	*NOT available in DP
25	2.0000	PC			RESISTOR;CARBON;330Kohm;5%;0W25;LEAD WIRE;HORIZONTAL 26-6mm	[P0803:01: {2.0}(R52,R76)]	*NOT available in DP
26	5.0000	PC			RESISTOR;CARBON;470Kohm;5%;0W25;LEAD WIRE;HORIZONTAL 26-6mm	[P0803:01: {5.0}(R37,R44,R47,R49,R55)]	*NOT available in DP
27	3.0000	PC			RESISTOR;CARBON;1Mohm;5%;0W25;LEAD WIRE;HORIZONTAL 26-6mm	[P0803:01: {3.0}(R38,R42,R70)]	*NOT available in DP
28	2.0000	PC			RESISTOR;CARBON;2Mohm2;5%;0W25;LEAD WIRE;HORIZONTAL 26-6mm	[P0803:01: {2.0}(R33,R35)]	*NOT available in DP
29	1.0000	PC			RESISTOR;CARBON;10Mohm;5%;0W25;LEAD WIRE;HORIZONTAL 26-6mm	[P0803:01: {1.0}(R69)]	*NOT available in DP
30	1.0000	PC			RESISTOR;METAL;1Kohm;1%;0W25;LEAD WIRE;HORIZONTAL 26-6mm	[P0803:01: {1.0}(R31)]	*NOT available in DP
31	5.0000	PC			RESISTOR;METAL;1Kohm5;1%;0W25;LEAD WIRE;HORIZONTAL 26-6mm	[P0803:01: {5.0}(R30,R32,R43,R45,R50)]	*NOT available in DP
32	2.0000	PC			RESISTOR;METAL;47Kohm;1%;0W25;LEAD WIRE;HORIZONTAL 26-6mm	[P0803:01: {2.0}(R41,R48)]	*NOT available in DP

	Quantity	Unit	S.Sku	M.Sku	Description	Reference Designators	Notes
33	1.0000	PC			RESISTOR;METAL;68Kohm;1%;0W25;LEAD WIRE;HORIZONTAL 26-6mm	[P0803:01:{1.0}(R29)]	*NOT available in DP
34	2.0000	PC			RESISTOR;METAL;100Kohm;1%;0W25;LEAD WIRE;HORIZONTAL 26-6mm	[P0803:01:{2.0}(R26,R34)]	*NOT available in DP
35	3.0000	PC			RESISTOR;METAL;150Kohm;1%;0W25;LEAD WIRE;HORIZONTAL 26-6mm	[P0803:01:{3.0}(R24-R25,R28)]	*NOT available in DP
36	1.0000	PC			RESISTOR;CARBON;22Kohm;5%;0W25;LEAD WIRE	[P0803:02:{1.0}(R1)]	*NOT available in DP
37	1.0000	PC			RESISTOR;CARBON;47ohm;5%;1W;LEAD WIRE	[BDM2:00:{1.0}(R1)]	*NOT available in DP
38	2.0000	PC			RESISTOR;CARBON;100ohm;5%;1W;LEAD WIRE	[P0803:01:{2.0}(R53-R54)]	*NOT available in DP
39	1.0000	PC			RESISTOR;CARBON;470ohm;5%;1W;LEAD WIRE	[P0803:01:{1.0}(R63)]	*NOT available in DP
40	2.0000	PC			RESISTOR;CARBON;470ohm;5%;2W;LEAD WIRE	[P0803:01:{2.0}(R58-R59)]	*NOT available in DP
41	2.0000	PC			RESISTOR;CEMENT;47ohm;5%;5W;LEAD WIRE;AXIAL	[P0803:01:{2.0}(R23,R27)]	*NOT available in DP
42	1.0000	PC			RESISTOR;CEMENT;390ohm;5%;5W;LEAD WIRE;AXIAL	[P0803:01:{1.0}(R21)]	*NOT available in DP
43	1.0000	PC			RESISTOR;CEMENT;10Kohm;5%;5W;LEAD WIRE;RADIAL;PITCH:5mm;PRECUT:3mm1+/-0mm5	[P0803:01:{1.0}(R22)]	*NOT available in DP
44	1.0000	PC			RESISTOR;CEMENT;22Kohm;5%;5W;LEAD WIRE;RADIAL;PITCH:5mm;PRECUT:3mm1+/-0mm5	[P0803:01:{1.0}(R20)]	*NOT available in DP

Potentiometer

	Quantity	Unit	S.Sku	M.Sku	Description	Reference Designators	Notes
1	1.0000	PC		I03-67141-06132	POTENTIOMETER;10Kohm;TAPER:A;MONO;F-SHAFT:15MM;ANGLED;W/O CC;40-100gf;HIGH HIGH TORQUE;(NOBLE XVB12111YNPJ22.5F15A10K)	[P0803:01: {1.0}{VR4}]	
2	1.0000	PC	Y03-67151-06231	I03-67151-06231	POTENTIOMETER;100Kohm;TAPER:A;MONO;F-SHAFT:15MM;ANGLED;W/O CC;40-100gf;HIGH HIGH TORQUE;(NOBLE XVB12111YNPJ22.5F15A100K)	[P0803:01: {1.0}{VR10}]	
3	1.0000	PC		I03-67153-06130	POTENTIOMETER;250Kohm;TAPER:A;MONO;F-SHAFT:15MM;ANGLED;W/O CC;40-100gf;HIGH HIGH TORQUE;(NOBLE XVB12111YNPJ22.5F15A250K)	[P0803:01: {1.0}{VR2}]	
4	3.0000	PC	Y03-67161-06229	I03-67161-06229	POTENTIOMETER;1Mohm;TAPER:A;MONO;F-SHAFT:15MM;ANGLED;W/O CC;40-100gf;HIGH HIGH TORQUE;(NOBLE XVB12111YNPJ22.5F15A1M)	[P0803:01: {3.0}{VR3,VR5,VR8}]	
5	1.0000	PC	Y03-67243-06237	I03-67243-06237	POTENTIOMETER;25Kohm;TAPER:B;MONO;F-SHAFT:15MM;ANGLED;W/O CC;40-100gf;HIGH HIGH TORQUE;(NOBLE XVB12111YNPJ22.5F1B25K)	[P0803:01: {1.0}{VR6}]	
6	1.0000	PC	Y03-67253-06133	I03-67253-06133	POTENTIOMETER;250Kohm;TAPER:B;MONO;F-SHAFT:15MM;ANGLED;W/O CC;40-100gf;HIGH HIGH TORQUE;(NOBLE XVB12111YNPJ22.5F1B250K)	[P0803:01: {1.0}{VR7}]	
7	1.0000	PC		I03-67341-06245	POTENTIOMETER;10Kohm;TAPER:C;MONO;F-SHAFT:15MM;ANGLED;W/O CC;40-100gf;HIGH HIGH TORQUE;(NOBLE XVB12111YNPJ22.5F15C10K)	[P0803:01: {1.0}{VR9}]	
8	1.0000	PC		I03-87141-04053	POTENTIOMETER;10Kohm;TAPER:A;MONO;F-SHAFT:15MM;ANGLED;W/O CC;70-110gf;HIGH HIGH TORQUE;(TOPROOT RK111NHB01-F15B7-A10K-O-HH)		
9	1.0000	PC		I03-87151-04054	POTENTIOMETER;100Kohm;TAPER:A;MONO;F-SHAFT:15MM;ANGLED;W/O CC;70-110gf;HIGH HIGH TORQUE;(TOPROOT RK111NHB01-F15B7-A100K-O-HH)		
10	1.0000	PC		I03-87153-04051	POTENTIOMETER;250Kohm;TAPER:A;MONO;F-SHAFT:15MM;ANGLED;W/O CC;70-110gf;HIGH HIGH TORQUE;(TOPROOT RK111NHB01-F15B7-A250K-O-HH)		
11	3.0000	PC		I03-87161-04052	POTENTIOMETER;1Mohm;TAPER:A;MONO;F-SHAFT:15MM;ANGLED;W/O CC;70-110gf;HIGH HIGH TORQUE;(TOPROOT RK111NHB01-F15B7-A1M-O-HH)		
12	1.0000	PC		I03-87243-04056	POTENTIOMETER;25Kohm;TAPER:B;MONO;F-SHAFT:15MM;ANGLED;W/O CC;70-110gf;HIGH HIGH TORQUE;(TOPROOT RK111NHB01-F15B7-B25K-O-HH)		
13	1.0000	PC		I03-87253-04055	POTENTIOMETER;250Kohm;TAPER:B;MONO;F-SHAFT:15MM;ANGLED;W/O CC;70-110gf;HIGH HIGH TORQUE;(TOPROOT RK111NHB01-F15B7-B250K-O-HH)		
14	1.0000	PC		I03-87341-05897	POTENTIOMETER;10Kohm;TAPER:C;MONO;F-SHAFT:15MM;ANGLED;W/O CC;70-110gf;HIGH HIGH TORQUE;(TOPROOT RK111NHB01-F15B7-C10K-O-HH)		
15	1.0000	PC		I03-A7245-04804	POTENTIOMETER;50Kohm;TAPER:B;MONO;SHAFT:35MM;W/O CC;40-80gf;HIGH TORQUE;(DELTA: R0911NOAV1B503EN00A1)	[P0803:01: {1.0}{VR1}]	

Speaker Part

	Quantity	Unit	S.Sku	M.Sku	Description	Reference Designators	Notes
1	1.0000	PC		H77-00000-85759	WOOFER;8 OHM;P0821;TS-12G280A8;12 inch;70 watts		
2	1.0000	PC		H79-00000-02916	GASKET;BLACK;GA304P8A		
3	1.0000	PC	X79-00100-03195	H79-00100-03195	MAGNET;MG121FE22A;MATERIAL:Y30;DIA 121x57x15H;DST.NO:001;DPT.NO:03195;(LS-MG121FE22A-REVA.DWG)		
4	1.0000	PC		H79-00100-03199	VOICE COIL;VC37_5K5_0A;BOBBIN MATERIAL:KAPTON;DIAMETER:37mm5;28H;DC RESISTANCE:5 ohm;WIRE DIA:0mm21;WINDING HEIGHT:1.0mm;DST.NO:001;DPT.NO:03199;(LS-VC37_5K5_0A-REVA.DWG)		
5	1.0000	PC		H79-00100-06315	DUST CAP;DC95CL02A;MATERIAL:BLACK CLOTH;OUTER DIAMETER:95mm;HEIGHT:18mm5;DST.NO:001;DPT.NO:06315;(LS-DC95CL02A-REVA.DWG)		
6	1.0000	PC		H79-00100-07501	CONE;CP297P75_5A;MATERIAL:PAPER;OUTER DIAMETER:297mm;HEIGHT:75mm5;CENTRE HOLE:F38mm5;DST.NO:001;DPT.NO:07501;(LS-CP297P75_5A-REVB.DWG)		
7	1.0000	PC		H79-00200-07500	DAMPER;DP125CX01A;MATERIAL:CONEX;OUTSIDE DIAMETER:125mm;HOLE:F38mm;HEIGHT:7mm;;DST.NO:002;DPT.NO:07500;(LS-DP125CX01A-REVB.DWG)		

Switch

	Quantity	Unit	S.Sku	M.Sku	Description	Reference Designators	Notes
1	1.0000	PC	Y82-00822-04267	I82-00822-04267	SWITCH;PUSH;2P2T;PCB VERSION COMAX PB-22D01-F NS;NONLOCKING;NONSHORT	[P0803:01: {1.0}(SW2)]	
2	1.0000	PC	Y82-01422-19471	I82-01422-19471	SWITCH;PUSH;2P2T;PCB VERSION;LOCKING;NONSHORT;ALPS;SPUJ19256A	[P0803:01: {1.0}(SW3)]	
3	1.0000	PC	Y84-02222-00914	I84-02222-00914	SWITCH;ROCKER;2P2T;NO MARKING;LOCKING;NONSHORT;SOLDER LUG;APPROVAL: UL94V0;MR3-221-C2-BBNNC		
4	1.0000	PC	Y86-00323-04226	I86-00323-04226	SWITCH;SLIDE;POLES:2;TOGGLES:3;LOCKING;SHORTING;PCB VERSION;DONGGUAN WEILI SS-23H49-G6	[P0803:02: {1.0}(SW1)]	
5	2.0000	PC	Y87-43811-03768	I87-43811-03768	SWITCH;TACTILE;POLES:1;HEIGHT:4mm3;PCB VERSION;NONLOCK;NONSHORT	[P0A51:00: {2.0}(SW1-SW2)]	
6	2.0000	PC	Y90-02211-03087	I90-02211-03087	SWITCH;TOGGLE;TOGGLES:1;POLE:1;LOCKING; NONSHORT; SOLDER LUG;ARCO C3900BAAAB		

Transistor

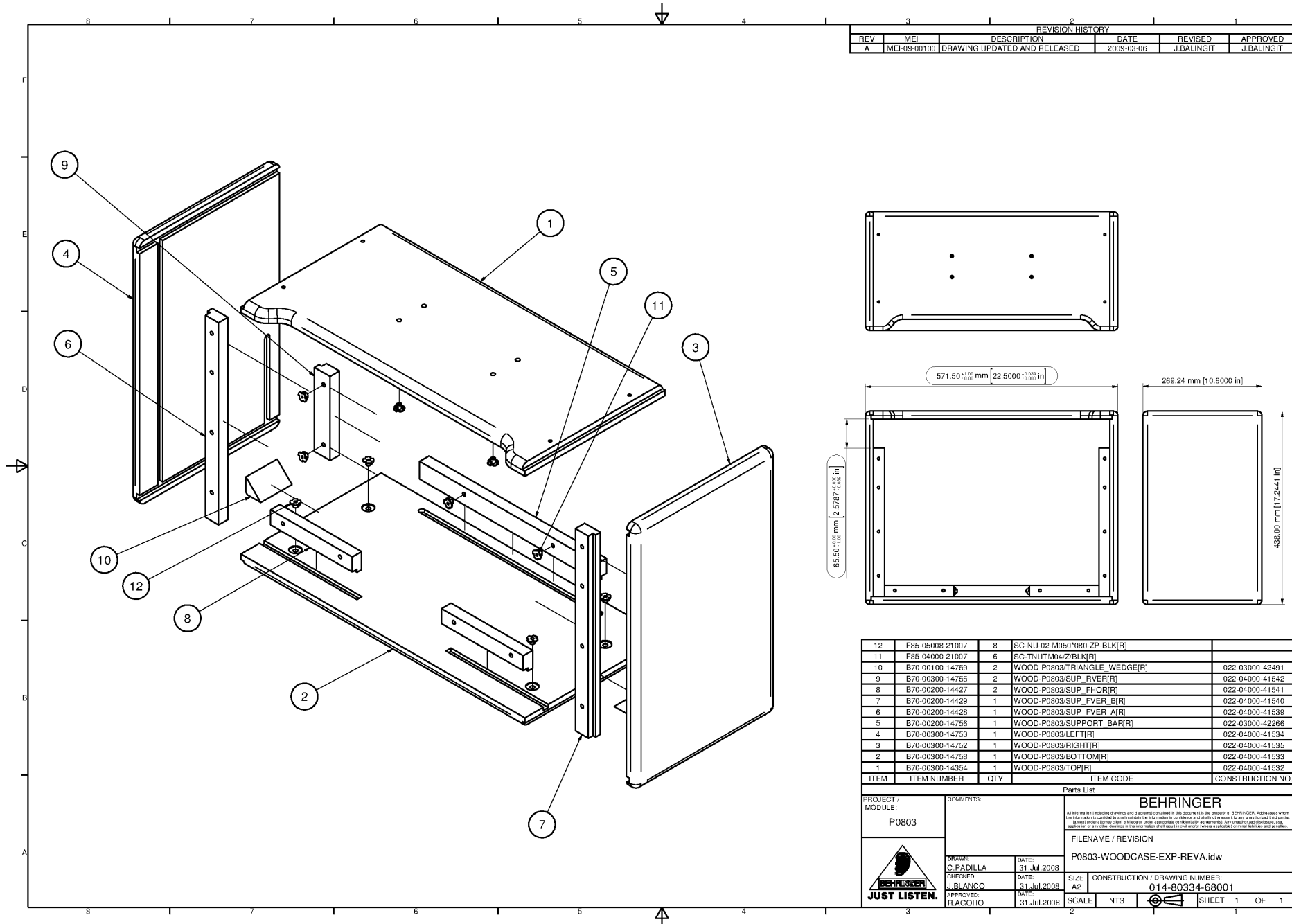
	Quantity	Unit	S.Sku	M.Sku	Description	Reference Designators	Notes
1	1.0000	PC			TRANSISTOR;BC546B;TO92;P:2.54(BENT LEAD)	[P0803:01: {1.0}(T8)]	*NOT available in DP
2	3.0000	PC			TRANSISTOR;BC846B;SOT;SMD	[P0803:01: {3.0}(T1,T4,T6)]	*NOT available in DP
3	3.0000	PC			TRANSISTOR;BC856B;SOT;SMD	[P0803:01: {3.0}(T2-T3,T5)]	*NOT available in DP
4	1.0000	PC			TRANSISTOR;SST113;SOT	[P0803:01: {1.0}(T7)]	*NOT available in DP

Cover

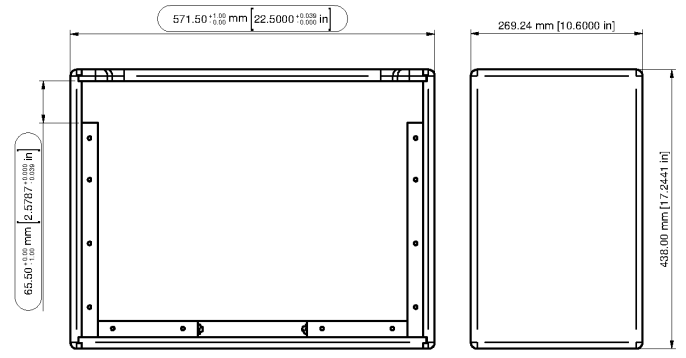
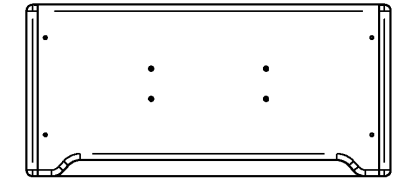
	Quantity	Unit	S.Sku	M.Sku	Description	Reference Designators	Notes
1	0.1500	YD		J11-21054-05196	PVF COVERING;ARTIFICIAL LEATHER;THICKNESS:0.7mm;WIDTH:1380mm;COLOR:IVORY WHITE		
2	0.9100	YD		J11-30000-05973	ARTIFICIAL LEATHER;RX-1229-LB;THICKNESS:0.8mm;WIDTH:1380mm;COLOR:BLACK		

Vacuum Tube

	Quantity	Unit	S.Sku	M.Sku	Description	Reference Designators	Notes
1	2.0000	PC	Z83-69018-47109	J83-69018-47109	TUBE,PENTODE;EL84;SHUGUANG		
2	2.0000	PC		J83-69018-48009	TUBE,PENTODE;EL84;SHUGUANG;NO ARTWORK		
3	2.0000	PC	Z84-17012-17109	J84-17012-17109	TUBE,DOUBLE TRIODE;12AX7A;SHUGUANG		
4	3.0000	PC	Z84-17012-78009	J84-17012-78009	TUBE,DOUBLE TRIODE;12AX7;SHUGUANG;NO ARTWORK		
5	1.0000	PC	Z84-76012-07109	J84-76012-07109	TUBE,DOUBLE TRIODE;P0962;12AX7B;SHUGUANG;FST.NO:001		

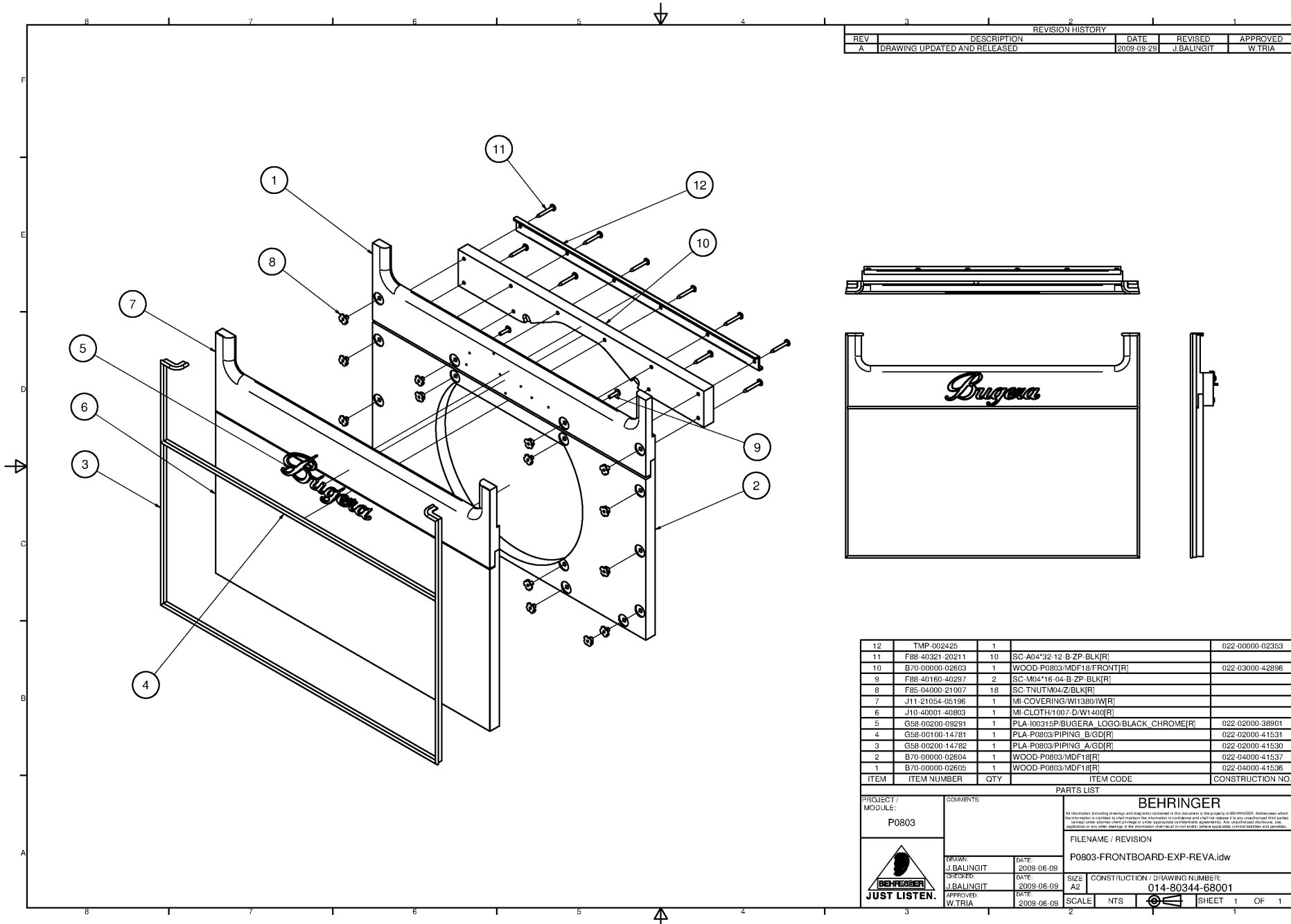


REVISION HISTORY					
REV	MEI	DESCRIPTION	DATE	REVISED	APPROVED
A	MEI-09-00100	DRAWING UPDATED AND RELEASED	2009-03-06	J.BALINGIT	J.BALINGIT

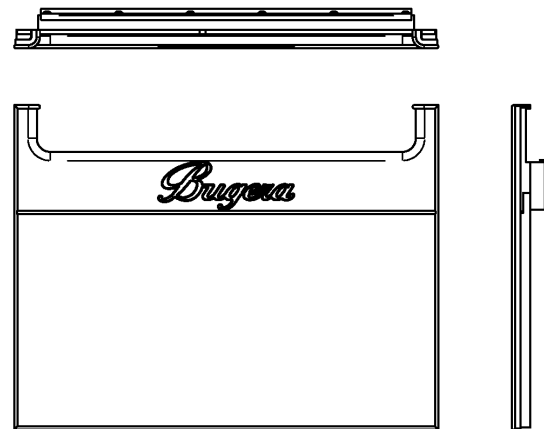


ITEM	ITEM NUMBER	QTY	ITEM CODE	CONSTRUCTION NO.
12	F85-05008-21007	8	SC-NU-02-M050*080-ZP-BLK[R]	
11	F85-04000-21007	6	SC-TNUTM04-Z[BLK][R]	
10	B70-00100-14759	2	WOOD-P0803/TRIANGLE_WEDGE[R]	022-03000-42481
9	B70-00300-14755	2	WOOD-P0803/SUP_FVER[R]	022-04000-41542
8	B70-00200-14427	2	WOOD-P0803/SUP_FHOR[R]	022-04000-41541
7	B70-00200-14429	1	WOOD-P0803/SUP_FVER_B[R]	022-04000-41540
6	B70-00200-14428	1	WOOD-P0803/SUP_FVER_A[R]	022-04000-41539
5	B70-00200-14756	1	WOOD-P0803/SUPPORT_BAR[R]	022-03000-42266
4	B70-00300-14753	1	WOOD-P0803/LEFT[R]	022-04000-41534
3	B70-00300-14752	1	WOOD-P0803/RIGHT[R]	022-04000-41535
2	B70-00300-14758	1	WOOD-P0803/BOTTOM[R]	022-04000-41533
1	B70-00300-14354	1	WOOD-P0803/TOPI[R]	022-04000-41532


PROJECT / MODULE: P0803		COMMENTS:		BEHRINGER <small>All information (including drawings and diagrams) contained in this document is the property of BEHRINGER. Addresses whom the information is provided to shall remain the information of confidence and shall not be released to any third party without the prior written consent of BEHRINGER. Any unauthorized disclosure, copying, distribution or any other changes in the information shall result in action and/or criminal penalties against the violator.</small>	
FILENAME / REVISION P0803-WOODCASE-EXP-REVA.idw		CONSTRUCTION / DRAWING NUMBER: 014-80334-68001			
	DRAWN: C. PADILLA CHECKED: J. BLANCO APPROVED: R. AGOHO	DATE: 31 Jul 2008 DATE: 31 Jul 2008 DATE: 31 Jul 2008	SIZE: A2 SCALE: NTS	SHEET 1 OF 1	

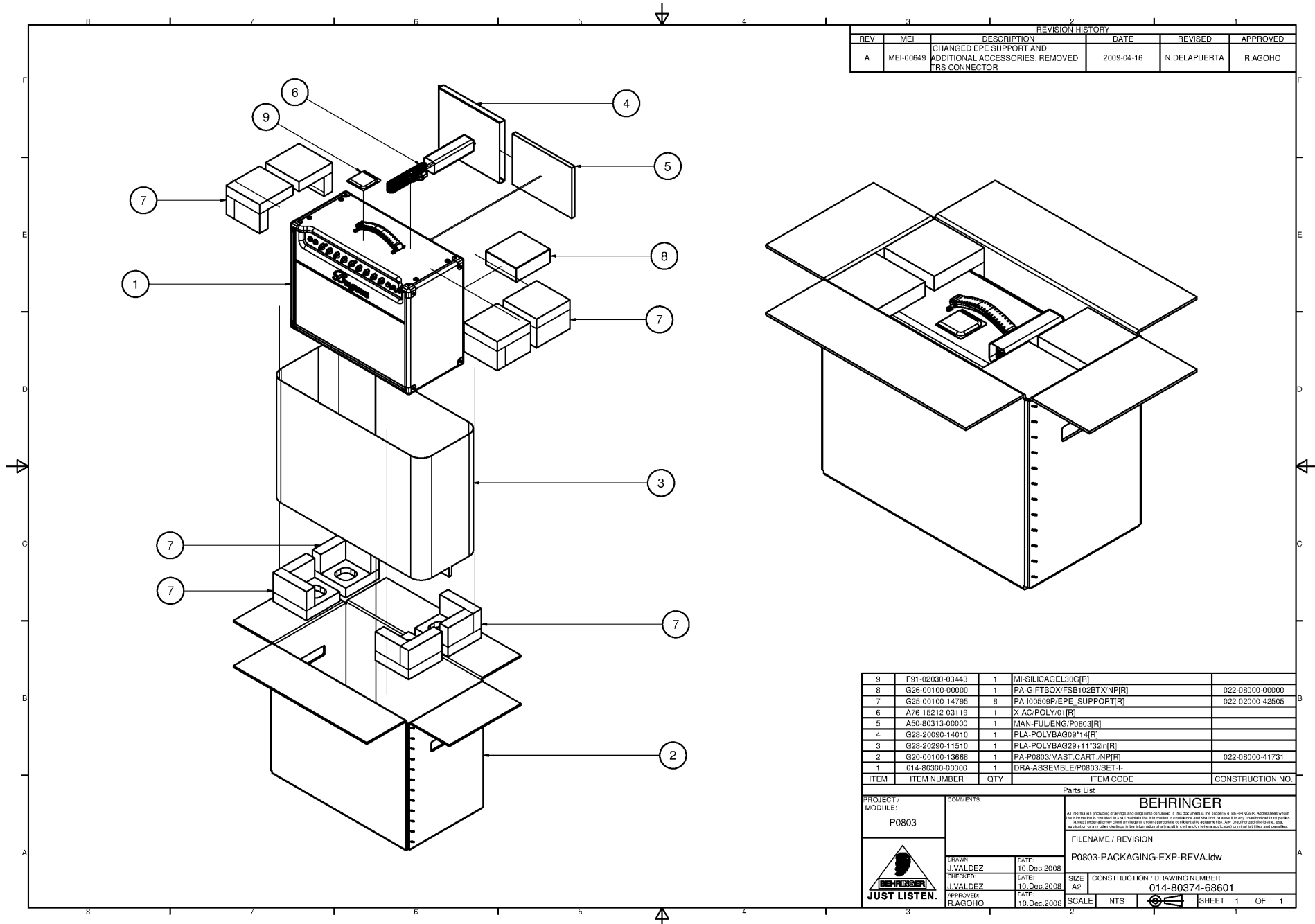


REV		DESCRIPTION		REVISION HISTORY		DATE	REVISED	APPROVED
A		DRAWING UPDATED AND RELEASED				2009-09-29	J.BALINGIT	W.TRIA



ITEM	ITEM NUMBER	QTY	ITEM CODE	CONSTRUCTION NO.
12	TMP-002425	1		022-00000-02353
11	F88-40321-20211	10	SC-A04*32-12-B-ZP-BLK[R]	
10	B70-00000-02603	1	WOOD-P0803/MDF18/F/FRONT[R]	022-03000-42896
9	F88-40160-40297	2	SC-M04*16-04-B-ZP-BLK[R]	
8	F85-04000-21007	18	SC-TNUTM04Z/BLK[R]	
7	J11-21054-05196	1	MI-COVERING/W11380/W[R]	
6	J10-40001-40803	1	MI-CLOTH1007-D/W1400[R]	
5	G58-00200-09291	1	PLA-100315P/BUGERA LOGO/BLACK CHROME[R]	022-02000-38801
4	G58-00100-14781	1	PLA-P0803/PIPING B/GD[R]	022-02000-41531
3	G58-00200-14782	1	PLA-P0803/PIPING A/GD[R]	022-02000-41530
2	B70-00000-02604	1	WOOD-P0803/MDF18[R]	022-04000-41537
1	B70-00000-02605	1	WOOD-P0803/MDF18[R]	022-04000-41536

PROJECT / MODULE: P0803		COMMENTS:		BEHRINGER <small>All information (including drawings and diagrams) contained in this document is the property of BEHRINGER. Access and use of this information is restricted to the individual named in the title of this document and is not to be distributed, copied, or otherwise used without the prior written consent of BEHRINGER. Any unauthorized disclosure, use, or distribution of this information shall result in civil and/or criminal penalties, including damages and penalties.</small>	
		DRAWN: J.BALINGIT CHECKED: J.BALINGIT APPROVED: W.TRIA DATE: 2009-06-09		FILENAME / REVISION P0803-FRONTBOARD-EXP-REVA.idw CONSTRUCTION / DRAWING NUMBER: 014-80344-68001	
SCALE		NTS		SHEET 1 OF 1	



REVISION HISTORY					
REV	MEI	DESCRIPTION	DATE	REVISED	APPROVED
A	MEI-00649	CHANGED EPE SUPPORT AND ADDITIONAL ACCESSORIES, REMOVED TRS CONNECTOR	2009-04-16	N.DELAPUERTA	R.AGOHO

ITEM	ITEM NUMBER	QTY	ITEM CODE	CONSTRUCTION NO.
9	F91-02030-03443	1	MI-SILICAGEL30G[R]	
8	G26-00100-00000	1	PA-GIFTBOX/FSB102BTX/NP[R]	022-08000-00000
7	G25-00100-14795	8	PA-100509PE/PE-SUPPORT[R]	022-02000-42505
6	A76-15212-03119	1	X-AC/POLY/01[R]	
5	A50-80313-00000	1	MAN-FUL/ENG/P0803[R]	
4	G28-20090-14010	1	PLA-POLYBAG09*14[R]	
3	G28-20290-11510	1	PLA-POLYBAG29*11*32in[R]	
2	G20-00100-13668	1	PA-P0803/MAST.CART./NP[R]	022-08000-41731
1	014-80300-00000	1	DRA-ASSEMBLE/P0803/SET-I	

Parts List

PROJECT / MODULE: P0803

COMMENTS:

BEHRINGER
All information (including drawings and diagrams) contained in this document is the property of BEHRINGER. Acknowledgment when reproduction is permitted to help maintain the reputation of excellence and that the release of any confidential data, drawings, or other information is prohibited without the prior written consent of BEHRINGER. Any unauthorized disclosure, use, modification or other violation of the document shall result in civil and/or criminal penalties, damages and penalties.

FILENAME / REVISION: P0803-PACKAGING-EXP-REVA.idw

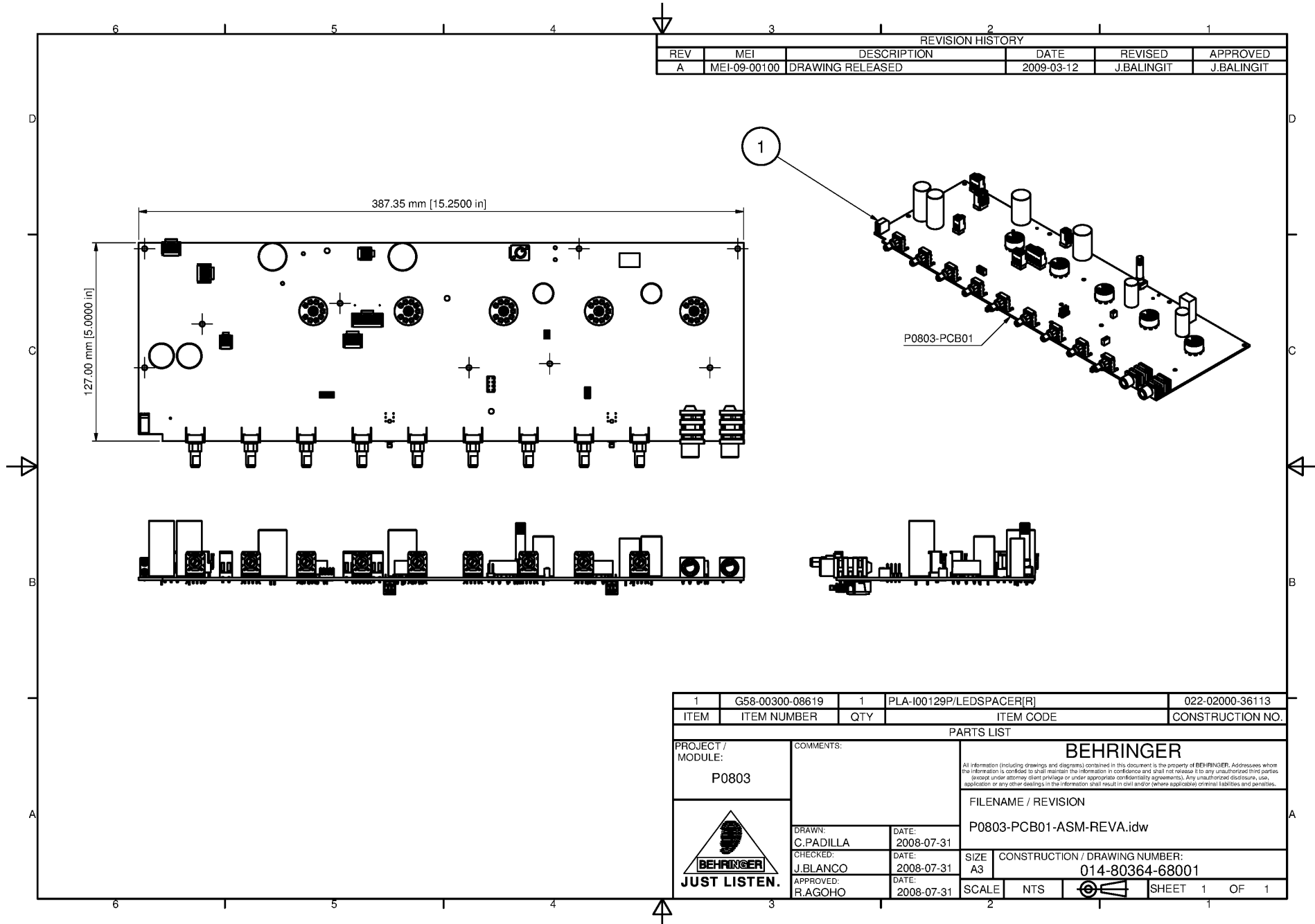
DRAWN: J.VALDEZ **DATE:** 10.Dec.2008

CHECKED: J.VALDEZ **DATE:** 10.Dec.2008

APPROVED: R.AGOHO **DATE:** 10.Dec.2008

SIZE: A2 **CONSTRUCTION / DRAWING NUMBER:** 014-80374-68601

SCALE: NTS **SHEET:** 1 OF 1



REVISION HISTORY					
REV	MEI	DESCRIPTION	DATE	REVISED	APPROVED
A	MEI-09-00100	DRAWING RELEASED	2009-03-12	J.BALINGIT	J.BALINGIT

1	G58-00300-08619	1	PLA-100129P/LEDSPACER[R]	022-02000-36113
ITEM	ITEM NUMBER	QTY	ITEM CODE	CONSTRUCTION NO.
PROJECT / MODULE:		PARTS LIST		
P0803		<p align="center">BEHRINGER</p> <p><small>All information (including drawings and diagrams) contained in this document is the property of BEHRINGER. Addresses whom the information is confined to shall maintain the information in confidence and shall not release it to any unauthorized third parties (except under attorney client privilege or under appropriate confidentiality agreements). Any unauthorized disclosure, use, application or any other dealings in the information shall result in civil and/or where applicable, criminal liability and penalties.</small></p>		
		FILENAME / REVISION P0803-PCB01-ASM-REVA.idw		
DRAWN: C.PADILLA		DATE: 2008-07-31		SIZE: A3
CHECKED: J.BLANCO		DATE: 2008-07-31		
APPROVED: R.AGOHO		DATE: 2008-07-31		CONSTRUCTION / DRAWING NUMBER: 014-80364-68001
SCALE: NTS				SHEET 1 OF 1

Bugera