



# Service Manual

Created: 31 July 2015



## G20 INFINIUM

### 20-Watt Class-A Tube Amplifier Head with INFINIUM Tube Life Multiplier, MORPH EQ and Reverb

Specifications .....	2
PCB Schematic .....	3
Parts List .....	9
Exploded Drawing .....	22

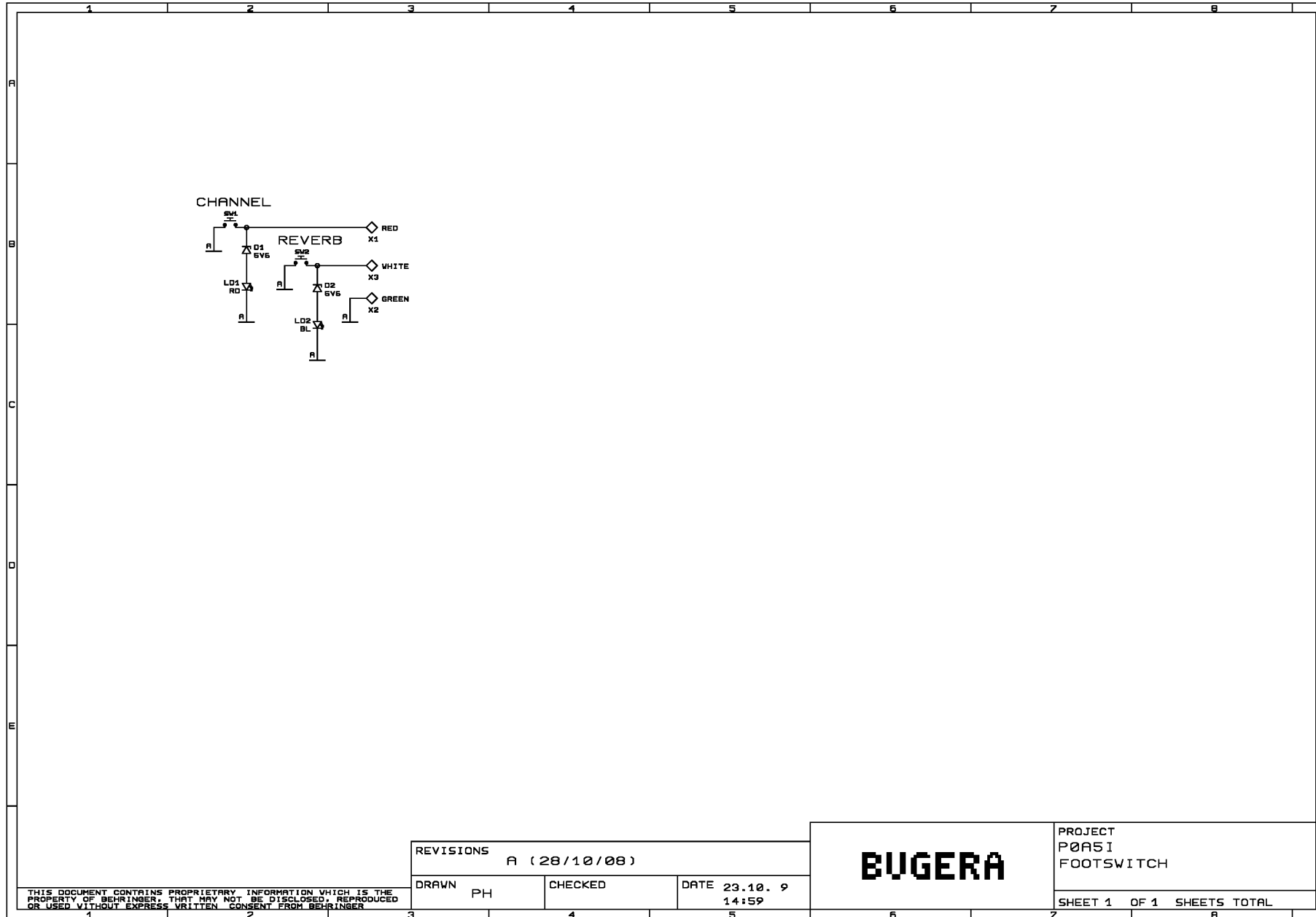
bugera-amps.com



# G20 INFINIUM

## Specifications

- Hand-built 20-Watt Class-A amplifier driven by 2 x ECC83 and 2 x EL34 tubes
- Revolutionary INFINIUM Tube Life Multiplier technology:
  - Extends the life of your amplifier's expensive power tubes up to 20 times
  - Provides incredible reliability and consistent tone over the complete lifespan of your tubes
  - No need for expensive matched tube sets
  - Allows you to mix and match any combination of compatible tube types and brands
  - Monitors performance of the power tubes continuously and displays defective tubes to allow for easy replacement
- Revolutionary MORPH EQ to seamlessly sweep between USA and British EQ-style tone
- Amazing classic push-pull power amp design for vintage tonal character
- High-definition reverb with dedicated Reverb control
- Heavy-duty footswitch for Channel / Reverb selection included
- Speaker-emulated output with 1 x 12 or 4 x 12 voicing option
- Impedance switch (4, 8 and 16 Ohms) to match virtually any speaker cabinet
- Effects loop with effects level switch
- Modern-style look and feel
- 3-Year Warranty Program\*
- Designed and engineered by BUGERA Germany

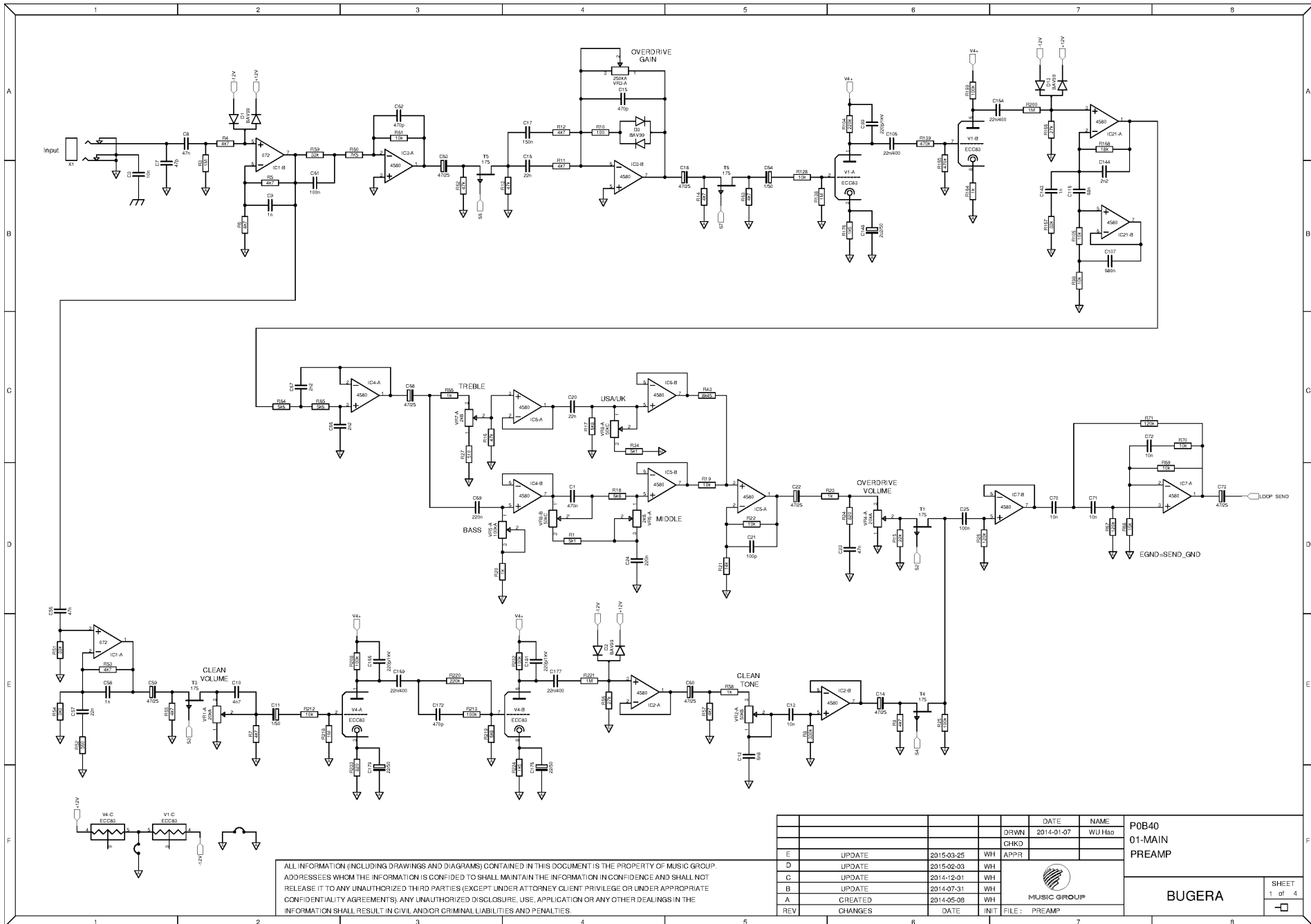


REVISIONS		
A (28/10/08)		
DRAWN	CHECKED	DATE
PH		23.10. 9
		14:59

**BUGERA**

PROJECT
P0A5I
FOOTSWITCH
SHEET 1 OF 1 SHEETS TOTAL

THIS DOCUMENT CONTAINS PROPRIETARY INFORMATION WHICH IS THE PROPERTY OF BEHRINGER. THAT MAY NOT BE DISCLOSED, REPRODUCED OR USED WITHOUT EXPRESS WRITTEN CONSENT FROM BEHRINGER.



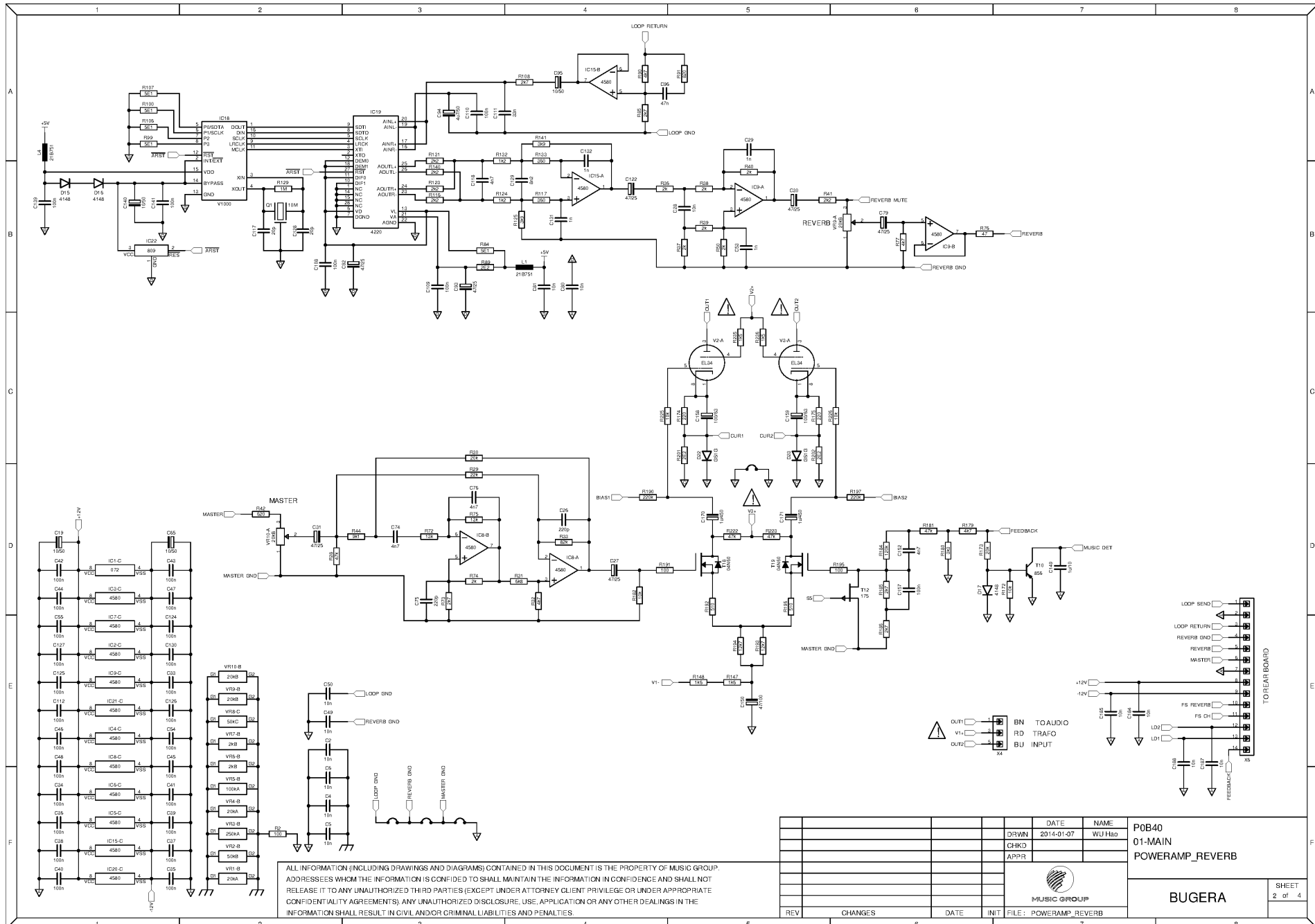
ALL INFORMATION (INCLUDING DRAWINGS AND DIAGRAMS) CONTAINED IN THIS DOCUMENT IS THE PROPERTY OF MUSIC GROUP. ADDRESSEES WHOM THE INFORMATION IS CONFIDED TO SHALL MAINTAIN THE INFORMATION IN CONFIDENCE AND SHALL NOT RELEASE IT TO ANY UNAUTHORIZED THIRD PARTIES (EXCEPT UNDER ATTORNEY CLIENT PRIVILEGE OR UNDER APPROPRIATE CONFIDENTIALITY AGREEMENTS). ANY UNAUTHORIZED DISCLOSURE, USE, APPLICATION OR ANY OTHER DEALINGS IN THE INFORMATION SHALL RESULT IN CIVIL AND/OR CRIMINAL LIABILITIES AND PENALTIES.

			DATE	NAME	POB40 01-MAIN PREAMP
			2014-01-07	WU Hui	
			DRWN		
			CHKD		
E	UPDATE	2015-03-25	WH	APPR	
D	UPDATE	2015-02-03	WH		
C	UPDATE	2014-12-01	WH		
B	UPDATE	2014-07-31	WH		
A	CREATED	2014-05-09	WH		
REV	CHANGES	DATE	INIT	FILE: PREAMP	

MUSIC GROUP

BUGERA

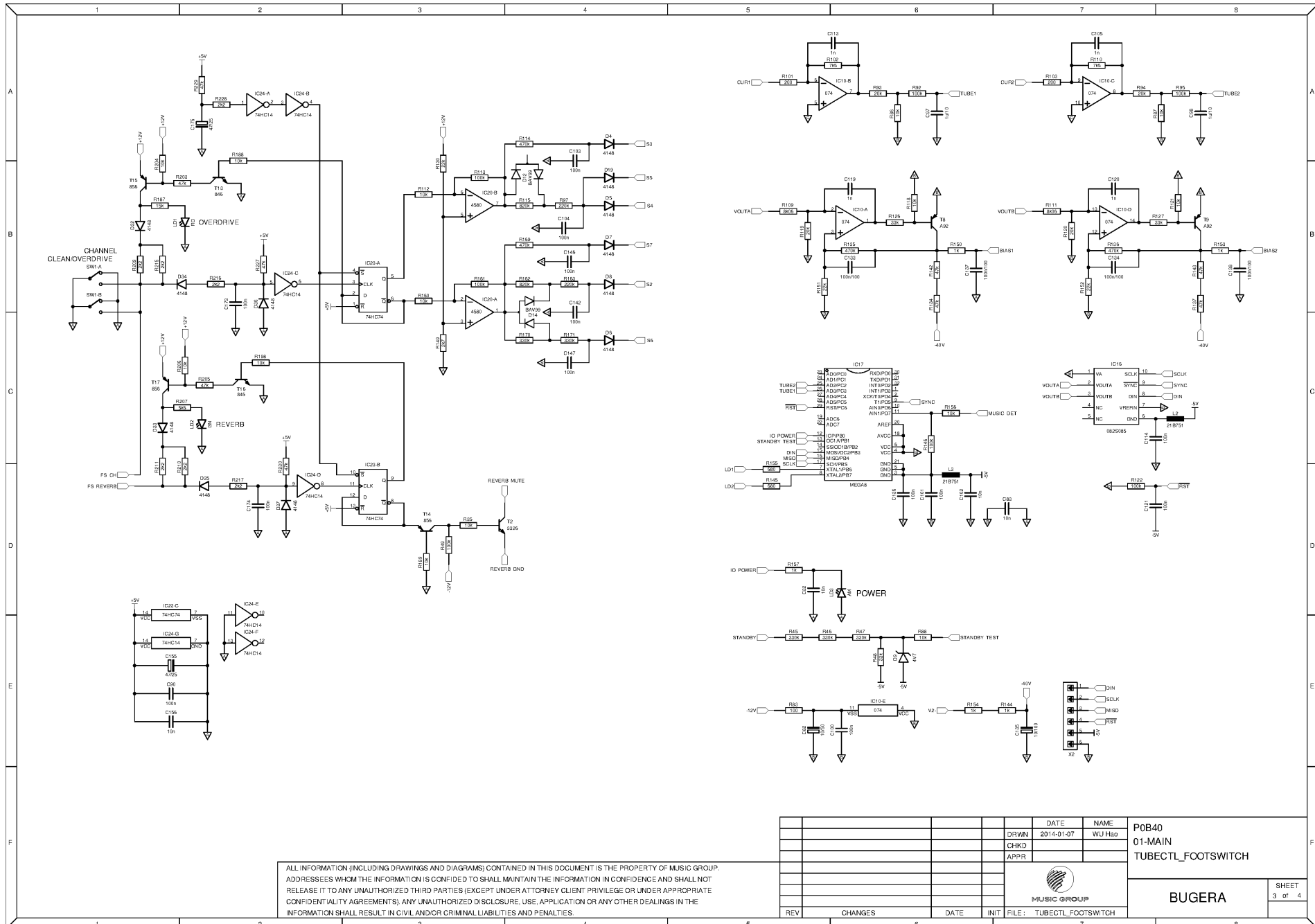
SHEET 1 of 4



ALL INFORMATION (INCLUDING DRAWINGS AND DIAGRAMS) CONTAINED IN THIS DOCUMENT IS THE PROPERTY OF MUSIC GROUP. ADDRESSEES WHOM THE INFORMATION IS CONFIDED TO SHALL MAINTAIN THE INFORMATION IN CONFIDENCE AND SHALL NOT RELEASE IT TO ANY UNAUTHORIZED THIRD PARTIES (EXCEPT UNDER ATTORNEY CLIENT PRIVILEGE OR UNDER APPROPRIATE CONFIDENTIALITY AGREEMENTS). ANY UNAUTHORIZED DISCLOSURE, USE, APPLICATION OR ANY OTHER DEALINGS IN THE INFORMATION SHALL RESULT IN CIVIL AND/OR CRIMINAL LIABILITIES AND PENALTIES.

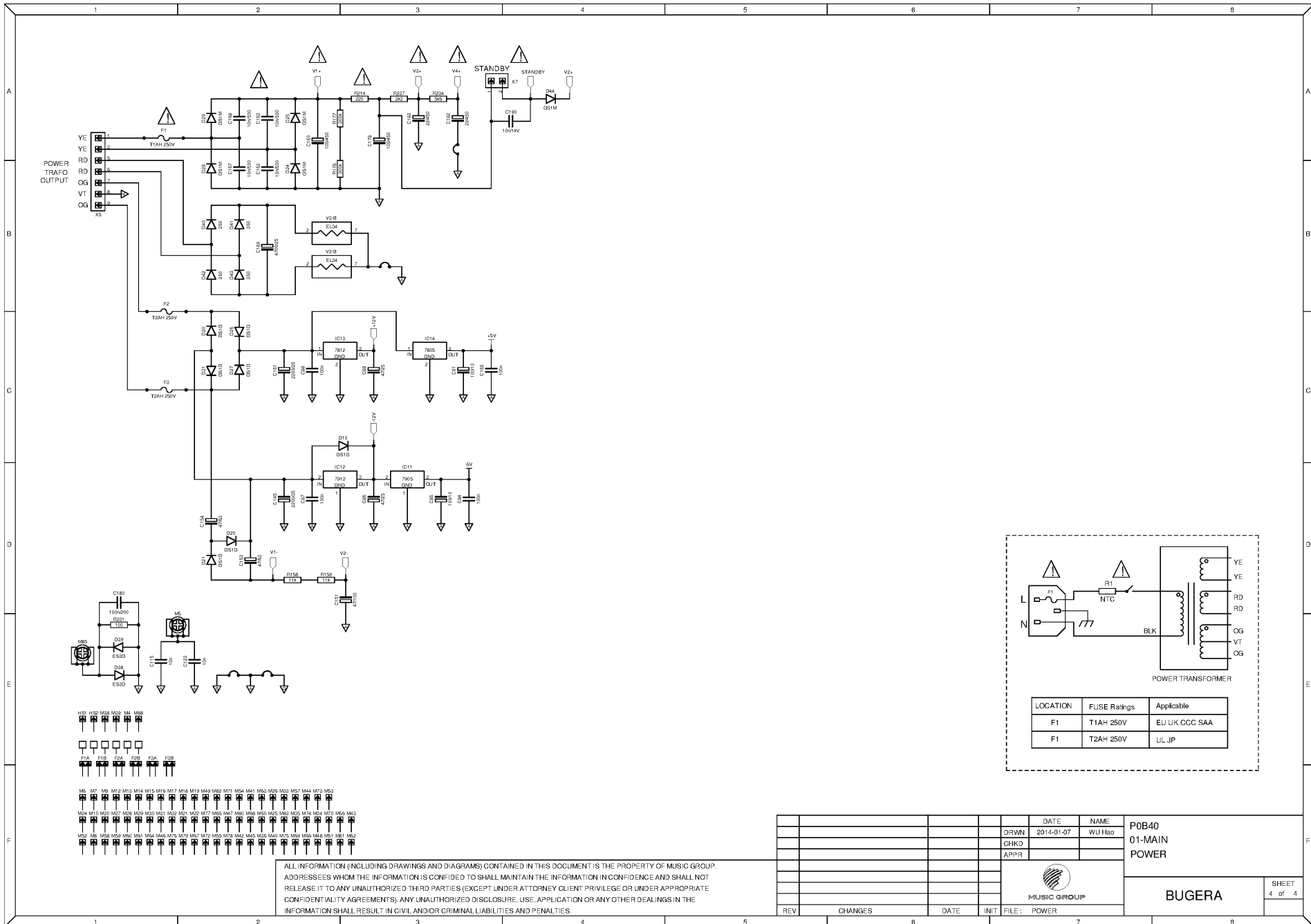
REV	CHANGES	DATE	INIT	FILE: POWERAMP_REVERB
1		2014-01-07		

DATE	NAME		P0B40 01-MAIN POWERAMP_REVERB
DRWN	WU Hqd		
CHKD			
APPR			
BUGERA			SHEET 2 of 4



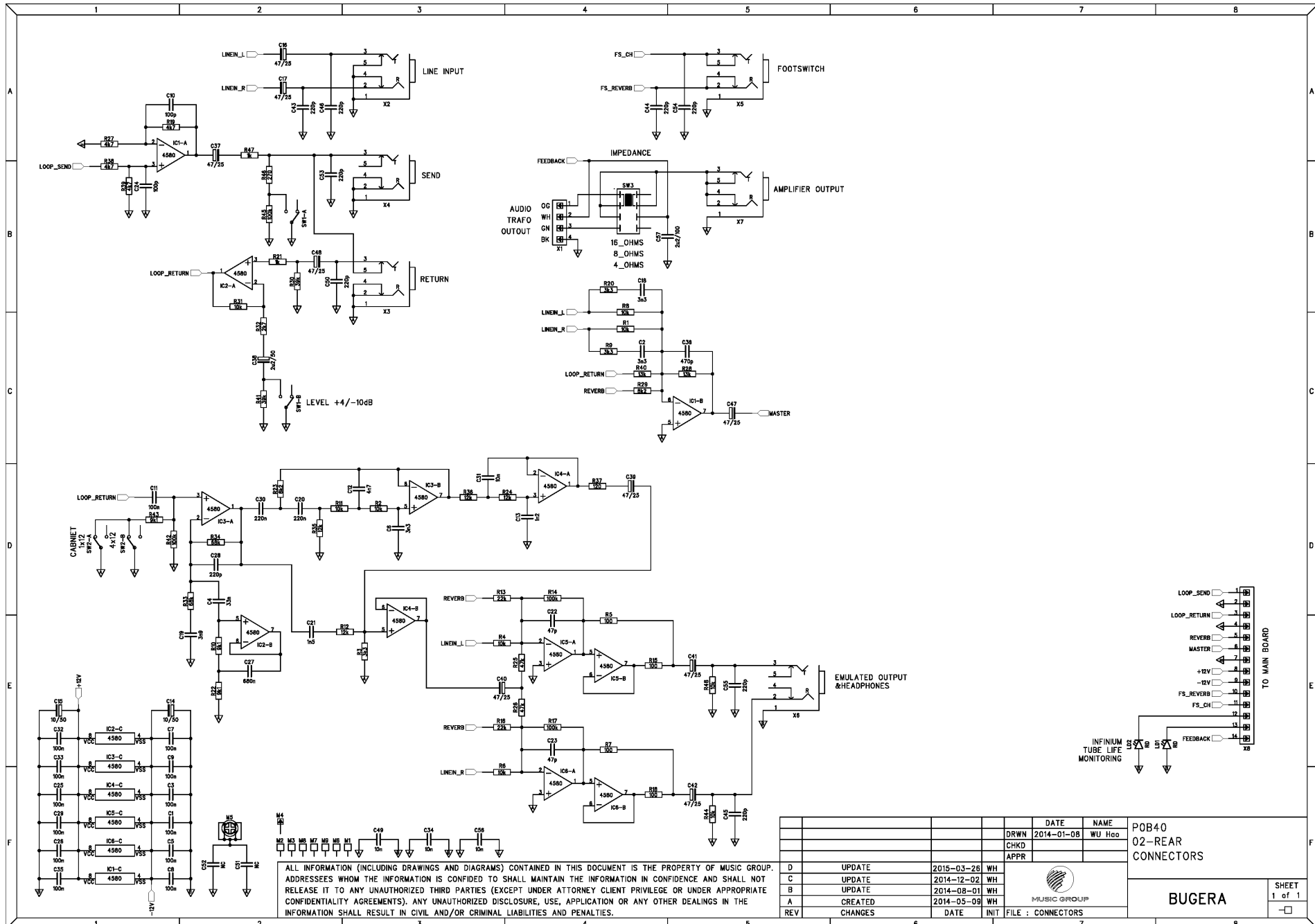
ALL INFORMATION (INCLUDING DRAWINGS AND DIAGRAMS) CONTAINED IN THIS DOCUMENT IS THE PROPERTY OF MUSIC GROUP. ADDRESSEES WHOM THE INFORMATION IS CONFIDED TO SHALL MAINTAIN THE INFORMATION IN CONFIDENCE AND SHALL NOT RELEASE IT TO ANY UNAUTHORIZED THIRD PARTIES (EXCEPT UNDER ATTORNEY CLIENT PRIVILEGE OR UNDER APPROPRIATE CONFIDENTIALITY AGREEMENTS). ANY UNAUTHORIZED DISCLOSURE, USE, APPLICATION OR ANY OTHER DEALINGS IN THE INFORMATION SHALL RESULT IN CIVIL AND/OR CRIMINAL LIABILITIES AND PENALTIES.

REV	CHANGES	DATE	INIT	FILE: TUBECTL_FOOTSWITCH	DATE: 2014-01-07	NAME: WU HAO	POB40 01-MAIN TUBECTL_FOOTSWITCH	SHEET 3 of 4
MUSIC GROUP							BUGERA	



ALL INFORMATION (INCLUDING DRAWINGS AND DIAGRAMS) CONTAINED IN THIS DOCUMENT IS THE PROPERTY OF MUSIC GROUP. ADDRESSEES WHOM THE INFORMATION IS CONFIDED TO SHALL MAINTAIN THE INFORMATION IN CONFIDENCE AND SHALL NOT RELEASE IT TO ANY UNAUTHORIZED THIRD PARTIES (EXCEPT UNDER ATTORNEY CLIENT PRIVILEGE OR UNDER APPROPRIATE CONFIDENTIALITY AGREEMENTS). ANY UNAUTHORIZED DISCLOSURE, USE, APPLICATION OR ANY OTHER DEALINGS IN THE INFORMATION SHALL RESULT IN CIVIL AND/OR CRIMINAL LIABILITIES AND PENALTIES.

REV	CHANGES	DATE	INIT	FILE: POWER	DATE	NAME	POB40 01-MAIN POWER	BUGERA	SHEET 4 of 4
					2014-01-07	WU HAO			



ALL INFORMATION (INCLUDING DRAWINGS AND DIAGRAMS) CONTAINED IN THIS DOCUMENT IS THE PROPERTY OF MUSIC GROUP. ADDRESSEES WHOM THE INFORMATION IS CONFIDED TO SHALL MAINTAIN THE INFORMATION IN CONFIDENCE AND SHALL NOT RELEASE IT TO ANY UNAUTHORIZED THIRD PARTIES (EXCEPT UNDER ATTORNEY CLIENT PRIVILEGE OR UNDER APPROPRIATE CONFIDENTIALITY AGREEMENTS). ANY UNAUTHORIZED DISCLOSURE, USE, APPLICATION OR ANY OTHER DEALINGS IN THE INFORMATION SHALL RESULT IN CIVIL AND/OR CRIMINAL LIABILITIES AND PENALTIES.

			DATE	NAME	PQB40
			2014-01-08	WU Hao	02-REAR
					CONNECTORS
			DRWN		
			CHKD		
			APPR		
D	UPDATE	2015-03-26	WH		
C	UPDATE	2014-12-02	WH		
B	UPDATE	2014-08-01	WH		
A	CREATED	2014-05-09	WH		
REV	CHANGES	DATE	INIT	FILE : CONNECTORS	

**BUGERA**  
SHEET 1 of 1



## Hi Pcb Assemblies

	Quantity	Unit	S.Sku	M.Sku	Description	Reference Designators	Notes
1	1.0000	PC	Q05-A5100-07609	A05-A5100-07609	PCB ASSEMBLY;POA51;REV:A;HAND INSERT;NO:828100		
2	1.0000	PC	Q05-B4001-00105	A05-B4001-00105	PCB ASSEMBLY;POB40;PCB:1;REV:E;HI;MAIN		
3	1.0000	PC	Q05-B4002-00104	A05-B4002-00104	PCB ASSEMBLY;POB40;PCB:2;REV:D;HI;REAR		

## Cable

	Quantity	Unit	S.Sku	M.Sku	Description	Reference Designators	Notes
1	1.0000	PC		A81-00000-56986	WIRE HARNESS;AWG:26;UL2468;2 MM;14;COMMON;PIN1 MARKING;70 MM;P1018-14P;A2006H	[POB40:2: {1.0}(X8)]	
2	1.0000	PC		A81-27070-22822	WIRE HARNESS;LENGTH:270mm;ZEE;POLES:2;AWG:18;UL1015;ONE SIDE 7mm STRIP/TINNED;PIN1 RD/OTHERS BK		
3	1.0000	PC	Q89-50031-04316	A89-50031-04316	FOOTSWITCH CABLE;FS112;LENGTH:5000mm;POLES:3;COLOR:BLK;SPEC.NO:04316		
4	1.0000	PC	Q76-15222-06417	A76-15222-06417	CABLE;AC-CORD;W/POLYBAG;LENGTH:152cm;AWG:18;VERSION;UL;SPEC.NO:06417		(UL)
5	1.0000	PC	Q76-15212-03119	A76-15212-03119	CABLE;AC-CORD;W/POLYBAG;LENGTH:152cm;H05VV-F 3G 0.75MM2;VERSION;EU;SPEC.NO:03119		(EU)
6	1.0000	PC	Q76-15042-05624	A76-15042-05624	CABLE;AC-CORD;W/POLYBAG;LENGTH:150cm;H05VV-F3G0.75MM2;VERSION;UK;SPEC.NO:05624		(UK)
7	1.0000	PC	Q76-00000-13573	A76-00000-13573	CABLE;AC-CORD;3;AR;1500 MM;Plug + Connector:321+730;H05VV-F 3G0.75		(AR)
8	1.0000	PC	Q76-00000-05305	A76-00000-05305	CABLE;AC-CORD;3;BR;1500 MM;Plug + Connector:375+730;H05VV-F 3G0.75		(BR)
9	1.0000	PC	Q76-18050-47490	A76-18050-47490	CABLE;AC-CORD;LENGTH:180cm;VERSION;SAA;PLUG;HE105 ISOLATED;SAA H05VV-F 3x0.75mm2;CONN.HP-3;SPEC.NO:47490		(SAA)
10	1.0000	PC	Q76-15032-55649	A76-15032-55649	CABLE;AC-CORD;CLASS II;W/POLYBAG;JAPAN;LENGTH:150cm;POLES:3;APPROVAL:PSE;JS155 3 + VCTF 3x0.75mm2 + V1528		(HM, SH)

## Capacitor

	Quantity	Unit	S.Sku	M.Sku	Description	Reference Designators	Notes
1	2.0000	PC			CAP E;100uF;10V;PITCH:2mm5;5mm x 11mm;VERTICAL 12.7-15-9mm	[POB40:1: {2.0}(C85,C91)]	*NOT available in DP
2	26.0000	PC			CAP E;47uF;25V;PITCH:2mm5;5mm x 11mm;VERTICAL 12.7-15-9mm	[POB40:1: {17.0}(C14,C18,C22,C27,C30-C31,C59-C60,C63,C68,C73,C79,C92-C93,C122,C155,C175)]	*NOT available in DP
3	2.0000	PC			CAP E;1uF;50V;PITCH:2mm5;5mm x 11mm;VERTICAL 12.7-15-9mm	[POB40:1: {2.0}(C11,C64)]	*NOT available in DP
4	1.0000	PC			CAP E;2uF2;50V;PITCH:2mm5;5mm x 11mm;VERTICAL 12.7-15-9mm	[POB40:2: {1.0}(C38)]	*NOT available in DP
5	1.0000	PC			CAP E;4uF7;50V;PITCH:2mm5;5mm x 11mm;VERTICAL 12.7-15-9mm	[POB40:1: {1.0}(C94)]	*NOT available in DP
6	7.0000	PC			CAP E;10uF;50V;PITCH:2mm5;5mm x 11mm;VERTICAL 12.7-15-9mm	[POB40:1: {5.0}(C19,C65,C82,C95,C140)]	*NOT available in DP
7	2.0000	PC			CAP E;47uF;63V;PITCH:2mm5;6mm x 11mm;VERTICAL 12.7-15-9mm	[POB40:1: {2.0}(C153-C154)]	*NOT available in DP
8	3.0000	PC			CAP CER;220pF;1KV;Y5P;10%;PITCH:5mm;DISC;VERTICAL 12.7-15-9mm	[POB40:1: {3.0}(C99,C166,C181)]	*NOT available in DP
9	2.0000	PC			CAP CER;220 nF;25 V;X7R;10 %;SMD603	[POB40:2: {2.0}(C20,C30)]	*NOT available in DP
10	1.0000	PC			CAP CER;0.68 uF;50 V;X7R;10%;SMD1206	[POB40:2: {1.0}(C27)]	*NOT available in DP
11	3.0000	PC			CAP CER;1uF;10V;+80% /-20%;SMT603	[POB40:1: {3.0}(C97-C98,C149)]	*NOT available in DP
12	1.0000	PC			CAP CER;8nF2;16V;COG;5%;SMD805	[POB40:1: {1.0}(C129)]	*NOT available in DP
13	1.0000	PC			CAP CER;150nF;25V;X7R;10%;SMT805	[POB40:1: {1.0}(C17)]	*NOT available in DP
14	2.0000	PC			CAP CER;220nF;25V;X7R;10%;SMT805	[POB40:1: {2.0}(C24,C69)]	*NOT available in DP
15	1.0000	PC			CAP CER;470nF;25V;X7R;10%;SMT805	[POB40:1: {1.0}(C1)]	*NOT available in DP
16	2.0000	PC			CAP CER;20pF;50V;20%;SMT603	[POB40:1: {2.0}(C117,C128)]	*NOT available in DP
17	3.0000	PC			CAP CER;47pF;50V;5%;COG(NPO);SMT603	[POB40:1: {1.0}(C7)]	*NOT available in DP
18	3.0000	PC			CAP CER;100pF;50V;20%;SMT603	[POB40:1: {1.0}(C21)]	*NOT available in DP
19	11.0000	PC			CAP CER;220pF;50V;10%;SMT603	[POB40:1: {2.0}(C26,C75)]	*NOT available in DP
20	1.0000	PC			CAP CER;470pF;50V;10%;SMT603	[POB40:2: {1.0}(C36)]	*NOT available in DP
21	11.0000	PC			CAP CER;1nF;50V;COG;5%;SMT603;(MURATA GRM1885C1H102JA01D)	[POB40:1: {11.0}(C9,C29,C53,C58,C105,C113,C119-C120,C131-C132,C143)]	*NOT available in DP
22	1.0000	PC			CAP CER;1nF2;50V;10%;SMT603	[POB40:2: {1.0}(C13)]	*NOT available in DP
23	1.0000	PC			CAP CER;1nF5;50V;COG;2%;SMT603;(MURATA GRM1885C1H152GA01D)	[POB40:2: {1.0}(C21)]	*NOT available in DP
24	3.0000	PC			CAP CER;2nF2;50V;COG;5%;SMT603;(MURATA GRM1885C1H222JA01D)	[POB40:1: {3.0}(C66-C67,C144)]	*NOT available in DP
25	3.0000	PC			CAP CER;3nF3;50V;X7R;10%;SMT603	[POB40:2: {3.0}(C2,C6,C18)]	*NOT available in DP
26	1.0000	PC			CAP CER;3nF9;50V;10%;SMT603	[POB40:2: {1.0}(C19)]	*NOT available in DP
27	3.0000	PC			CAP CER;4nF7;50V;10%;SMT603	[POB40:1: {2.0}(C74,C76)]	*NOT available in DP
28	28.0000	PC			CAP CER;10nF;50V;X7R;10%;SMT603	[POB40:1: {24.0}(C2-C6,C13,C28,C32,C49-C50,C70-C72,C80-C81,C83,C102,C115,C123,C156,C184-C185,C187-C188)]	*NOT available in DP
29	1.0000	PC			CAP CER;33nF;50V;10%;SMT603	[POB40:2: {1.0}(C4)]	*NOT available in DP
30	4.0000	PC			CAP CER;47nF;50V;10%;SMD603	[POB40:1: {4.0}(C8,C23,C56,C96)]	*NOT available in DP
31	37.0000	PC			CAP CER;100nF;50V;10%;SMT603	[POB40:1: {24.0}(C33-C48,C54-C55,C112,C124-C127,C130)]	*NOT available in DP
32	3.0000	PC			CAP CER;470pF;50V;COG;5%;SMD805	[POB40:1: {3.0}(C15,C62,C172)]	*NOT available in DP
33	1.0000	PC			CAP CER;6nF8;50V;10%;SMT805;X7R	[POB40:1: {1.0}(C12)]	*NOT available in DP
34	3.0000	PC			CAP CER;22nF;50V;COG;5%;SMD805	[POB40:1: {3.0}(C16,C20,C57)]	*NOT available in DP
35	1.0000	PC			CAP CER;33nF;50V;X7R;10%;SMD805	[POB40:1: {1.0}(C111)]	*NOT available in DP
36	3.0000	PC			CAP CER;4nF7;50V;X7R;10%;SMD805	[POB40:1: {3.0}(C10,C118,C152)]	*NOT available in DP
37	1.0000	PC			CAP CER;68nF;50V;10%;SMT805;X7R	[POB40:1: {1.0}(C116)]	*NOT available in DP
38	25.0000	PC			CAP CER;100nF;50V;X7R;10%;SMT805	[POB40:1: {25.0}(C25,C61,C84,C87-C88,C90,C100-C101,C103-C104,C108-C110,C114,C121,C136,C139,C141-C142,C146-C147,C157,C165,C173-C174)]	*NOT available in DP

	Quantity	Unit	S.Sku	M.Sku	Description	Reference Designators	Notes
39	4.0000	PC			CAP CER;100nF;100V;X7R;10%;SMD1206	[P0B40:1: {4.0}{C133-C134,C137-C138}]	*NOT available in DP
40	1.0000	PC			CAP FILM;680nF;100V;MPF;10%;PITCH:5mm;BOX;VERTICAL 12.7-15-9mm	[P0B40:1: {1.0}{C107}]	*NOT available in DP
41	1.0000	PC			CAP FILM;2uF2;100V;MPF;10%;PITCH:20mm;HEIGHT:17mm;WIDTH:23mm;THICKNESS:9mm	[P0B40:2: {1.0}{C57}]	*NOT available in DP
42	2.0000	PC			CAP E;22uF;450V;20%;PITCH:5mm;13mm x 25mm;105C;VERTICAL 12.7-15-9mm	[P0B40:1: {2.0}{C182-C183}]	*NOT available in DP
43	2.0000	PC			CAP E;1 uF;450 V;20 %;PITCH:5 MM;RADIAL;8mm x 12mm;105C;VERTICAL 12.7-15-9mm	[P0B40:1: {2.0}{C170-C171}]	*NOT available in DP
44	2.0000	PC			CAP E;100 uF;450 V;20 %;PITCH:7MM5;RADIAL;18x31mm5;105C	[P0B40:1: {2.0}{C160,C178}]	*NOT available in DP
45	2.0000	PC			CAP E;47 uF;25 V;20 %;RADIAL;5*11;2,5 MM;T&R	[P0B40:1: {2.0}{C86,C89}]	*NOT available in DP
46	2.0000	PC			CAP E;LOW ESR;47 uF;100 V;ELECTROLYTIC;20 %;RADIAL;10*16;5 MM;105C;VERTICAL 12.7-15-9mm	[P0B40:1: {2.0}{C150-C151}]	*NOT available in DP
47	4.0000	PC			CAP CER;10nF;500V;PITCH:5mm;DISC;VERTICAL 12.7-15-9mm	[P0B40:1: {4.0}{C162-C163,C167-C168}]	*NOT available in DP
48	1.0000	PC			CAP CER;10nF;1KV;20%;PITCH:10mm;DISC;PRECUT:3mm1 +/-0mm5	[P0B40:1: {1.0}{C190}]	*NOT available in DP
49	1.0000	PC			CAP CER;100nF;200V;X7R;10%;SMT1206	[P0B40:1: {1.0}{C180}]	*NOT available in DP
50	4.0000	PC			CAP FILM;22nF;400V;MPF;10%;PITCH:5mm;VERTICAL 12.7-15-9mm	[P0B40:1: {4.0}{C106,C164,C169,C177}]	*NOT available in DP
51	1.0000	PC			CAP E;2uF2;50V;PITCH:2mm5;5mm x 11mm;VERTICAL 12.7-15-9mm	[P0B40:1: {1.0}{C148}]	*NOT available in DP
52	2.0000	PC			CAP E;22uF;50V;PITCH:2mm5;6.3mm x 11mm;VERTICAL 12.7-15-9mm	[P0B40:1: {2.0}{C176,C179}]	*NOT available in DP
53	2.0000	PC			CAP E;100uF;63V;PITCH:5mm; ;10mm x 12.5mm;VERTICAL 12.7-15-9mm	[P0B40:1: {2.0}{C158-C159}]	*NOT available in DP
54	1.0000	PC			CAP E;10uF;100V;PITCH:2mm5;6mm3 x 11mm;105C;VERTICAL 12.7-15-9mm	[P0B40:1: {1.0}{C135}]	*NOT available in DP
55	1.0000	PC			CAP E;4mF7;25V;PITCH:7mm5;16mm x 30mm;PRECUT:3mm2 - 0/+0mm2	[P0B40:1: {1.0}{C189}]	*NOT available in DP
56	2.0000	PC			CAP E;2mF2;35V;20%;PITCH:7mm5;16mm x 25mm;PRECUT:3mm2 - 0/+0mm2;105C	[P0B40:1: {2.0}{C145,C161}]	*NOT available in DP

**Circuit Protector**

	Quantity	Unit	S.Sku	M.Sku	Description	Reference Designators	Notes
1	6.0000	PC	R21-15201-52000	B21-15201-52000	FUSE CLIP;2 A;V;ZINC PLATING;250V;SERIES;520;FUSE;250 V;PLATING	[P0B40:1: {6.0}{F1A-F3A,F1B-F3B}]	
2	2.0000	PC	R22-01513-10001	B22-01513-10001	FUSE;1A0;250V;SLOW BLOW;H-TYPE;5mm x 20mm		(EU, UK, SAA, AR)
3	1.0000	PC	R22-01513-10001	B22-01513-10001	FUSE;1A0;250V;SLOW BLOW;H-TYPE;5mm x 20mm	[P0B40:1: {1.0}{F1}]	(UL, BR, HM, SH)
4	3.0000	PC	R22-01513-20001	B22-01513-20001	FUSE;2A0;250V;SLOW BLOW;H-TYPE;5mm x 20mm		(UL, BR, HM, SH)
5	2.0000	PC	R22-01513-20001	B22-01513-20001	FUSE;2A0;250V;SLOW BLOW;H-TYPE;5mm x 20mm	[P0B40:1: {2.0}{F2-F3}]	(EU, UK, SAA, AR)

**Coil**

	Quantity	Unit	S.Sku	M.Sku	Description	Reference Designators	Notes
1	4.0000	PC	R39-00000-03394	B39-00000-03394	COIL;SMD;BEAD;SMD0805;(BLM21BD751SN1D)	[P0B40:1: {4.0}{L1-L4}]	

**Connector**

	Quantity	Unit	S.Sku	M.Sku	Description	Reference Designators	Notes
1	2.0000	PC	R84-22000-06018	B84-22000-06018	CRIMP TERMINAL;PITCH:3mm96;AWG18-22;A3963TOP-2		
2	14.0000	PC	R84-25016-06014	B84-25016-06014	CRIMP TERMINAL;PITCH:2mm0;AWG24-30;A2008TOP-2		
3	1.0000	PC	R84-42050-00155	B84-42050-00155	CRIMP CONNECTOR;LUG;INNER DIA:4mm3;AWG 14-18;WIRE MOUNT;STRAIGHT		

**Diode**

	Quantity	Unit	S.Sku	M.Sku	Description	Reference Designators	Notes
1	6.0000	PC			DIODE;BAV99;SOT23;SMD	[P0B40:1: {6.0}{(D1-D3,D12-D14)}]	*NOT available in DP
2	15.0000	PC			DIODE;LL4148;LL34;TEMIC OR FC;SMD	[P0B40:1: {15.0}{(D4-D8,D15-D17,D19,D32-D37)}]	*NOT available in DP
3	9.0000	PC			DIODE;GP;GS1G;400V;1A;DO-214AC;SMD	[P0B40:1: {9.0}{(D10,D20-D23,D26-D27,D30-D31)}]	*NOT available in DP
4	2.0000	PC			DIODE;ZD5V6;BZX85C5V6;DO41	[P0A5i:00: {2.0}{(D1-D2)}]	*NOT available in DP
5	1.0000	PC			DIODE;ZMM04V7;SMD1206;SMD	[P0B40:1: {1.0}{(D9)}]	*NOT available in DP
6	5.0000	PC			DIODE;RECTIFIER;SMD;SMA;1A;1000V;GS1MW	[P0B40:1: {5.0}{(D24-D25,D28-D29,D44)}]	*NOT available in DP
7	4.0000	PC			DIODE;RECTIFIER;SR360;DO201	[P0B40:1: {4.0}{(D40-D43)}]	*NOT available in DP
8	2.0000	PC			DIODE;ES3D;DO-214AB;SMD	[P0B40:1: {2.0}{(D38-D39)}]	*NOT available in DP

Hardware

	Quantity	Unit	S.Sku	M.Sku	Description	Reference Designators	Notes
1	60.0000	PC			NAIL;CROWN:2mm2;WIDTH:1mm27;THICKNESS:1mm0;LENGTH:25mm;18-GAUGE (0.49*0.40) FINISH;GALVANIZED		*NOT available in DP
2	33.0000	PC			NAIL;STAPLE;CROWN 10mm;LEGLNGTH:10mm;WIDTH:1.2mm;THICKNESS:0mm6;FINISH: GALVANIZED		*NOT available in DP
3	9.0000	PC			NAIL;STAPLE;CROWN 10mm;LEGLNGTH:6mm;WIDTH:1.2mm;THICKNESS:0mm6;FINISH:G ALVANIZED		*NOT available in DP
4	1.0000	PC			CABLE TIE;NYLON;4in;COLOR:		*NOT available in DP
5	0.7000	G			THERM-GREASE;COLOR:WHT;SPEC.NO:09286		*NOT available in DP
6	0.6600	G			SCREWLOCK;SPEC.NO:01090		*NOT available in DP
7	2.0000	PC			HEX.NUT;12 MM;2 MM;NICKEL;SILVER;0.75 MM		*NOT available in DP
8	1.0000	PC			HEX.NUT T-NUT;1.11 MM;4 MM;17 MM;NICKEL;SILVER;OCT. NUT;7/16" x G20		*NOT available in DP
9	11.0000	PC			T-NUT;INNER DIA;M4mm;W/PRONG;SURFACE:ZINC/BLACK		*NOT available in DP
10	8.0000	PC			T-NUT;INNER DIA;M5mm;THICK:8mmW/PRONG;SURFACE:ZINC;COLOR:BLACK		*NOT available in DP
11	10.0000	PC			HEX PIPE-NUT;THREAD-DIA;M9mm;HEIGHT:2mm;SURFACE:ZINC		*NOT available in DP
12	6.0000	PC			OCT. NUT;FOR JACK;3/8in;OCTWRENCH:14.5mm;THICKNESS:3.5mm;SURFACE:NICK EL/SILVER		*NOT available in DP
13	1.0000	PC			HEX. NUT;INNER DIA:13mm;SURFACE:ZINC		*NOT available in DP
14	4.0000	PC	V87-00200-10103	F87-00200-10103	RUBBER BUSHING;I00172P;DST.NO:002;DPT.NO:10103;(I00172P-RUBBER_BUSHING-REVB.dwf)		
15	2.0000	PC	V87-01000-12070	F87-01000-12070	PAD;RUBBER;6mm*2mm5;COLOR:BLK;DWG.NO:12070;(R14-GUITAR-RUBBERPAD-REVB.DWG)		
16	16.0000	PC			SCREW;A;4 MM;13 MM;PAN;ZINC;BLACK;2.84 MM;SC;A4*13mm		*NOT available in DP
17	2.0000	PC			SCREW;M3mm*3mm;HEAD:PAN WASHER DIA 4mm5;INSERT:PHILIPS REC.;SURFACE:BLACK/ZINC		*NOT available in DP
18	4.0000	PC			SCREW;M3mm*6mm;PITCH:0mm5;HEAD:FLAT;INSERT:PHILIPS REC.;SURFACE:BLACK/ZINC		*NOT available in DP
19	4.0000	PC			SCREW;M3mm*7mm;HEAD:PAN;INSERT:PHILIPS REC.;SURFACE:BLACK/ZINC		*NOT available in DP
20	4.0000	PC			SCREW;BT3mm*8mm;HEAD:PAN;INSERT:PHILIPS REC.;SURFACE:ZINC		*NOT available in DP
21	12.0000	PC			SCREW;M03mm*08mm;HEAD:PAN SPRING WASHER;INSERT:PHILIPS REC.;SURFACE:SILVER/ZINC		*NOT available in DP
22	2.0000	PC			SCREW;M3mm*10mm;HEAD:PAN;INSERT:PHILIPS REC.;SURFACE:BLACK/ZINC		*NOT available in DP
23	6.0000	PC			SCREW;M4mm*8mm;HEAD:BINDING;INSERT:PHILIPS REC.;SURFACE:BLACK/ZINC		*NOT available in DP
24	1.0000	PC			SCREW;M4mm*8mm;HEAD:PAN;INSERT:PHILIPS REC.;SURFACE:SILVER/ZINC		*NOT available in DP
25	11.0000	PC			SCREW;M4mm*21mm;HEAD:PAN WASHER DIA 9mm;INSERT:PHILIPS REC.;SURFACE:BLACK/ZINC		*NOT available in DP
26	6.0000	PC			SCREW;M4mm*30mm;HEAD:OVAL;INSERT:PHILIPS REC.;SURFACE:BLACK/ZINC		*NOT available in DP
27	4.0000	PC			SCREW;M5mm*22mm;HEAD:OVAL;INSERT:PHILIPS REC.;SURFACE:SILVER/CHROME		*NOT available in DP
28	4.0000	PC			SCREW;M5mm*23mm;HEAD:PAN;INSERT:PHILIPS REC.;SURFACE:BLACK/ZINC		*NOT available in DP
29	1.0000	PC			METAL SHIELD;POB40-SHIELD;REVA		*NOT available in DP
30	1.0000	PC			SILICA GEL;MASS;30g;SPEC.NO:30QB-BB2001-4		*NOT available in DP

	Quantity	Unit	S.Sku	M.Sku	Description	Reference Designators	Notes
31	4.0000	PC			CLIP-ON NUT; SQUARE STYLE; FOR M4 NUTS; PANEL THICKNESS: 0mm4 TO 0mm6; SURFACE: ZINC/SILVER; (LAN-XIN LXJ12A)		*NOT available in DP
32	4.0000	PC			SPRING; 0.7 MM; 23.5 MM; 7.5 MM; NICKEL; SV; P0739-TUBE_SPRING		*NOT available in DP
33	2.0000	PC			SPRING; CYLINDRICAL; F5112; 6mm*14mm8; CARBON STEEL; DWG. NO: 04288; (R14-FCB1010-SPRING-REVA.DWG)		*NOT available in DP
34	0.1400	M			SHRINKING TUBE; INNER DIA: 5mm2; SPEC. NO: 16898;		*NOT available in DP
35	0.0950	M			SHRINKING TUBE; INNER DIA: 25mm; THICKNESS: 0mm5;		*NOT available in DP
36	6.0000	PC			WASHER; 9.7 MM; 16 MM; NICKEL; WHITE; WASHER; FLAT; DIM: 9.7*16*0.5mm; NIC		*NOT available in DP
37	1.0000	PC			WASHER; 10.9 MM; 0.5 MM; 18 MM; NICKEL; SILVER; PLAIN		*NOT available in DP
38	6.0000	PC			WASHER; PLAIN; INNER DIA: 4mm; OUTER DIA: 8mm; THICKNESS: 1mm; PLATING: NICKEL		*NOT available in DP
39	10.0000	PC			WASHER; PLAIN; INNER DIA: 9mm6; OUTER DIA: 13mm; THICKNESS: 0mm5; PLATING: NICKEL		*NOT available in DP
40	4.0000	PC			WASHER; PLAIN; INNER DIA: 12mm3; OUTER DIA: 16mm6; THICKNESS: 0mm5; SURFACE: NICKEL/SILVER		*NOT available in DP
41	7.0000	PC			WASHER; SPRING; INNER DIA: 4mm; OUTER DIA: 7mm; THICKNESS: 1mm7		*NOT available in DP
42	1.0000	PC			WASHER; SPRING; INNER DIA: 14mm5; OUTER DIA: 17mm; THICKNESS: 1mm5; PLATING: NICKEL		*NOT available in DP
43	1.0000	PC			WASHER; EXTERNAL TEETH; INNER DIA: 4mm; OUTER DIA: 7mm; THICKNESS: 1mm7		*NOT available in DP
44	6.0000	PC			WASHER; DONUT; INNER DIA: 5mm5; OUTER DIA: 16mm; THICKNESS: 2mm6; PLATING: BLACK/ZINC		*NOT available in DP
45	1.0000	PC	V97-17000-04145	F97-17000-04145	SHEET; FOAM; FOOTSWITCH; F5112; W/ DURABLE ADHESIVE; DWG. NO: 04145; (R14-GX112-FOAM-REVA.DWG)		
46	1.0000	PC			BUSHING; CABLE; F5112; NYLON; DWG. NO: 04141; (R14-CABLEBUSHING-REVA.DWG)		*NOT available in DP

Ic

	Quantity	Unit	S.Sku	M.Sku	Description	Reference Designators	Notes
1	1.0000	PC	S60-00000-79902	C60-00000-79902	IC; AD/DA; MSOP; 10; DAC082S085	[P0B40:1: {1.0}]{IC16}	
2	1.0000	PC	S60-54422-00528	C60-22422-00528	IC; AD/DA; V4220M; SSOP	[P0B40:1: {1.0}]{IC19}	
3	17.0000	PC		C73-00000-29050	IC; OPAMP; SMD; SOP; 8; BA4580RF	[P0B40:1: {1.0}]{IC2-IC9; IC15; IC20-IC21}	
4	1.0000	PC	S73-58007-40514	C73-31007-40514	IC; OPAMP OPAMP; TL074; SOP;	[P0B40:1: {1.0}]{IC10}	
5	1.0000	PC	S73-58007-22208	C73-58007-22208	IC; OPAMP OPAMP; TL072; SOP; BRAND: ST ONLY	[P0B40:1: {1.0}]{IC11}	
6	1.0000	PC	S77-00000-28276	C77-00000-28276	IC; VOLT. REGULATOR; TO220; LM7905L	[P0B40:1: {1.0}]{IC11}	
7	1.0000	PC	S77-05107-03110	C77-05107-03110	IC; VOLT. REGULATOR; 7805F; FULLPACK; TO220	[P0B40:1: {1.0}]{IC14}	
8	1.0000	PC	S77-12107-03110	C77-12107-03110	IC; VOLT. REGULATOR; 7812F; FULLPACK; TO220	[P0B40:1: {1.0}]{IC13}	
9	1.0000	PC	S77-12207-03110	C77-12207-03110	IC; VOLT. REGULATOR; 7912F; FULLPACK; TO220	[P0B40:1: {1.0}]{IC12}	
10	1.0000	PC	T12-00100-02216	D12-00100-02217	IC; DIG COMM.; EUROTEC; V1000; SOIC	[P0B40:1: {1.0}]{IC18}	
11	1.0000	PC	T22-31001-40514	D22-31001-40514	IC; LOGIC; 74HC14; SOP	[P0B40:1: {1.0}]{IC24}	
12	1.0000	PC	T22-31007-40514	D22-31007-40514	IC; LOGIC; 74HC74; SOP	[P0B40:1: {1.0}]{IC23}	
13	1.0000	PC	T24-18081-61832	D24-18081-61832	IC; MICROCONTROLLER; ATMEGA8A-AU; SMD; TQFP32		
14	1.0000	PC	T24-48030-02803	D24-48030-02803	IC; MICROCONTROLLER; MAX809STRG; Vth: 2.93V; SOT	[P0B40:1: {1.0}]{IC22}	
15	1.0000	PC		D33-00001-30189	IC; MICROCONTROLLER, PROGRAMMED; FIRMWARE G20 INFINIUM V1.0	[P0B40:1: {1.0}]{IC17}	

**Led**

	Quantity	Unit	S.Sku	M.Sku	Description	Reference Designators	Notes
1	1.0000	PC	U10-00000-47170	E10-00000-47170	LED;RED;LEN:RED;DIFFUSE;H8;3MM ROUND;ANGLE;BASE:4.5X5.08X6	[P0B40:1: {1.0}(LD1)]	
2	1.0000	PC	U10-00000-79899	E10-00000-79899	LED NB;3mm0 ROUND;GREEN;DIFFUSE;NORMAL BRIGHT;ANGLE;BASE:4.5X5.08X6	[P0B40:1: {1.0}(LD2)]	
3	1.0000	PC	U10-51610-05431	E10-51610-05431	LED HIB;3mm ROUND;AMBER;VERTICAL;NO RING;WAVELENGTH;610 nm	[P0B40:1: {1.0}(LD3)]	
4	1.0000	PC	U10-53565-00588	E10-53565-00588	LED HIB;3mm ROUND;GREEN	[P0A5i:00: {1.0}(LD2)]	
5	3.0000	PC	U12-57630-00590	E12-57630-00590	LED;3mm ROUND;RD	[P0B40:2: {2.0}(LD1-LD2)]	

**Metal Part**

	Quantity	Unit	S.Sku	M.Sku	Description	Reference Designators	Notes
1	1.0000	PC	Q62-07400-18216	A62-07400-18216	METAL;BOTTOM;FS112G;BLACK;DWG.NO:18216;(R14-GX-FOOTBOTTOM-REVC.DWG)		
2	1.0000	PC		A63-00000-65024	METAL;P0APR;ALUMINIUM 6061;HEATSINK;EXTRUSION, CUTTING;OXIDIZING;BLACK;AMP HEATSINK;REVA		
3	1.0000	PC		A63-00001-04098	METAL;HEATSINK;P0B40;MATERIAL:ALUMINIUM;P0B40-MET_HEATSINK;REVA		
4	1.0000	PC		A65-00000-91172	METAL;GRILL;P0B40;MATERIAL:SPCC 1.5mm;BENDING PUNCHING;BLACK;P0B40-MET_GRILL-REVA		
5	2.0000	PC	Q65-00001-04087	A65-00001-04087	METAL;CAP;P0B40;MATERIAL:MN65;BENDING + PUNCHING;P0B40-MET_TUBE_CAP;REVA		
6	4.0000	PC	Q65-00100-12275	A65-00100-12275	METAL;SPRING HOLDER;P0739;DST.NO:001;DPT.NO:12275;(P0739-SPRING HOLDER-REVA.DWG)		
7	8.0000	PC	Q65-02000-04400	A65-02000-04400	METAL;CORNER;GX112;DWG.NO:04400;(R20-GX112-CORNER-REVB.DWG)		
8	2.0000	PC	Q65-15000-04134	A65-15000-04134	METAL;SPACER;LENGTH:4mm4;HOLE DIA:3mm5;DWG.NO:04134;(R14-FS112-SPACER-REVA.DWG)		
9	1.0000	PC		J02-00001-20984	METAL;CASE;P0B40;MATERIAL:SECC 1.2mm;BENDING PUNCHING;POWDER COATING;BLACK;A001		
10	1.0000	PC	Z02-01400-18217	J02-01400-18217	METAL;COVER;P0A5i;BLACK;PRINTED;FST.NO:014;DPT.NO:18217;(GX-FOOTPEDALCOVER-REVD.DWG)		

Plastic Part

	Quantity	Unit	S.Sku	M.Sku	Description	Reference Designators	Notes
1	4.0000	PC	W51-00100-14745	G51-00100-14745	PLASTIC;RUBFOOT;P0738;DST.NO:001;DPT.NO:14745;(P0738-RUBFOOT-REVA.DWG)		
2	2.0000	PC	W52-00100-07083	G52-00100-07083	PLASTIC;SWITCH KNOB;P0491;ABS PA757;MOULDING;YS1284A;BLACK;SWITCH;I00168P;DST.NO:001;DPT.NO:07083;(I00168P-SWITCH_KNOB_18MM-REVA.DWG)		
3	1.0000	PC	W52-00100-14962	G52-00100-14962	PLASTIC;PUSH KNOB;I00499P;BLACK CHROME;DST.NO:001;DPT.NO:14962;(I00499P-PUSH_KNOB-REVA)		
4	2.0000	PC	W52-80500-09382	G52-80500-09382	KNOB;SWITCH;FOOTPEDALS;BLACK;DWG.NO:09382;(R14-GUITAR-SWITCHKNOB1-REVA.DWG)		
5	1.0000	PC	W53-00000-04668	G53-00000-04668	PLASTIC;JEWEL;P0404;AMBER TRANSLUCENT		
6	2.0000	PC	W53-00000-12925	G53-00000-12925	PLASTIC;P0806;RUBBER 70degC;GROMMET;BLACK;12AX7;REV:C		
7	1.0000	PC		G53-00001-04111	PLASTIC;STRIP;P0B40;HDPE;SILVER;P0B40-PLA_STRIP;REVA		
8	1.0000	PC	W53-40900-05211	G53-40900-05211	LEATHER;HANDLE;P0738;BLACK LEATHER+SILVER METAL		
9	10.0000	PC		G58-00000-80920	PLASTIC;KNOB;P0ATD;ABS;INJECTION;PAINTING NORMAL;BLACK CHROME;POT-KNOB		
10	1.0000	PC	W58-00200-09291	G58-00200-09291	PLASTIC;BUGERA LOGO;I00315P;BLACK CHROME;DST.NO:002;DPT.NO:09291;(I00315P-BUGERA_LOGO-REVB.DWG)		
11	2.0000	PC	W58-00200-11129	G58-00200-11129	PLASTIC;LED SPACER;MOULDING;BLACK;NO:8LENGTH:9MM;DST.NO:002;DPT.NO:11129;(LED-SPACER9MM.REVB.DWG)		
12	1.0000	PC	W58-00300-08619	G58-00300-08619	PLASTIC;SPACER;PC;MOULDING;BLACK;3MM VERTICAL;DST.NO:003;DPT.NO:08619;(I00129P-LED_SPACER-REVC.DWG)		
13	2.0000	PC	W58-00300-11128	G58-00300-11128	PLASTIC;SPACER;P0062;MOULDING;BLACK;LED SPACER2;DI100 DSP110;DST.NO:003;DPT.NO:11128;(R14-DI100-LEDSPACER2-REVC.DWG)		
14	2.0000	PC	W58-53000-25624	G58-53000-25624	PLASTIC;BASE;P0089;ABS;YS1285A;BLACK;FS112 FS114 FCB1010;COLOR:BLK;DWG.NO:25624;(R14-GUITAR-SWITCHBASE1-REVB.DWG)		



## Plug Socket

	Quantity	Unit	S.Sku	M.Sku	Description	Reference Designators	Notes
1	1.0000	PC	W64-14152-03710	G64-14152-03710	PLUG;PCB;PLUG;JACK PHONE;STRAIGHTPCB LUGS;MONO 6mm3;DUAL TIP/NO RING CONTACTS;NO NUT/WASHER;METAL BUSHING;(CHUNSHENG PJ-622HA-EP)	[POB40:2: {1.0}(X7)]	
2	5.0000	PC	W64-16212-00005	G64-16212-00005	PLUG;PCB;PLUG;JACK STEREO 6mm3;STRAIGHTPCB LUGS;NO NUT/WASHER;METAL BUSHING;(CHUNSHENG PJ-632HA)	[POB40:2: {5.0}(X2-X6)]	
3	1.0000	PC	W64-25272-06052	G64-25272-06052	PLUG;JACK STEREO 6mm3;ANGLED;W/O MET.RNG.;W/O NUT ONLY;(CHUNG YEN HSJ-064-20-P)	[POB40:1: {1.0}(X1)]	
4	1.0000	PC	W67-20103-01824	G67-20103-01824	PLUG;AC SOCK;W FUSE;SNAP-IN;COLOR:BLK;POLES:03;(RONG-FENG RF-2004)		
5	1.0000	PC		G71-00000-03961	WAFER;V1000-14B,0.35um;LOGIC-3.3V(1P4M)		
6	1.0000	PC	W71-00000-90754	G71-00000-90754	WAFER;POLES:9;ROWS:1;STRAIGHT;PITCH:3.96 MM;NO PIN2 AND PIN4	[POB40:1: {1.0}(X5)]	
7	1.0000	PC	W71-23114-04753	G71-23114-04753	WAFER;POLES:14;STRAIGHT;PITCH:2 mm;1 ROW;TYPE:A2006WV-14P	[POB40:1: {1.0}(X6)]	
8	1.0000	PC	W71-27102-04759	G71-27102-04759	WAFER;POLES:2;STRAIGHT;PITCH:3.96 mm;1 ROW;JS1120-02	[POB40:1: {1.0}(X7)]	
9	1.0000	PC	W71-27104-04415	G71-27104-04415	WAFER;POLES:4;STRAIGHT;PITCH:3.96 mm;1 ROW;JS1120-04	[POB40:2: {1.0}(X1)]	
10	1.0000	PC	W71-27105-04760	G71-27105-04760	WAFER;POLES:5;STRAIGHT;PITCH:3.96 mm;1 ROW;JS1120-05-S1;W/O PIN2 AND PIN4	[POB40:1: {1.0}(X4)]	
11	1.0000	PC	W71-43114-06006	G71-43114-06006	PLUG;HOUSING;POLES:14;ROWS:1;STRAIGHT;PITCH:2mm;TYP:A2008		
12	1.0000	PC	W71-47102-05844	G71-47102-05844	PLUG;HOUSING;A3963H02;PITCH:3mm96;POLES:2;ROWS:1;UL94-V0;STRAIGHT		
13	14.0000	PC	W71-80000-05663	G71-80000-05663	BD.-IN-CONN;TERMINAL;SAN-002T-0.8A		
14	1.0000	PC	W71-83114-05658	G71-83114-05658	BOARD-IN-CONNECTOR;POLES:14;ROWS:1;STRAIGHT;PITCH:2 mm		
15	2.0000	PC	W73-00001-02619	G73-00001-02619	SOCKET;TUBESOCKET;POLES:8;FOR EL34 OR 6L6;CERAMIC;COLOR:WHT;W/ SOLDER LUGS;VERSION1;TUS8PC8C	[POB40:1: {2.0}(V2-V3)]	
16	2.0000	PC	W73-28509-01218	G73-28509-01218	SOCKET;POLES:09;VACUUM TUBE;FOR 12AX7;CERAMIC;COLOR:WHT;W/ SOLDER LUGS;VERSION1;TUS9PC9C	[POB40:1: {2.0}(V1,V4)]	

## Power Supply

	Quantity	Unit	S.Sku	M.Sku	Description	Reference Designators	Notes
1	1.0000	PC		J60-00001-02604	TRAFO;AUDIO I/O;POB40		
2	1.0000	PC		J65-00001-02606	TRAFO;EI POWER;POB40;UL 120;VERSION:UL		(UL, BR)
3	1.0000	PC		J65-00001-02607	TRAFO;EI POWER;POB40;JP 100;VERSION:JP		(HM, SH)
4	1.0000	PC		J65-00001-02605	TRAFO;EI POWER;POB40;EU 230 OR 240;VERSION:EU		(EU, UK, SAA, AR)

## Quarz

	Quantity	Unit	S.Sku	M.Sku	Description	Reference Designators	Notes
1	1.0000	PC	X65-40471-00000	H65-40471-00000	QUARZ;RESONATOR;10MHz;HC49/S;FUNDAMENTAL	[POB40:1: {1.0}(Q1)]	

## Resistor

	Quantity	Unit	S.Sku	M.Sku	Description	Reference Designators	Notes
1	4.0000	PC			RESISTOR;CARBON;13Kohm;5%;0W063;SMD603	[POB40-1: {2.0}(R72,R75)]	*NOT available in DP
2	1.0000	PC			RESISTOR;CARBON;2ohm2;5%;0W063;SMD603	[POB40-1: {1.0}(R89)]	*NOT available in DP
3	5.0000	PC			RESISTOR;CARBON;5ohm1;5%;0W063;SMD603	[POB40-1: {5.0}(R84,R99-R100,R106-R107)]	*NOT available in DP
4	1.0000	PC			RESISTOR;CARBON;47ohm;5%;0W063;SMD603	[POB40-1: {1.0}(R76)]	*NOT available in DP
5	2.0000	PC			RESISTOR;CARBON;100ohm;5%;0W063;SMD603	[POB40-1: {2.0}(R2,R10)]	*NOT available in DP
6	1.0000	PC			RESISTOR;CARBON;120ohm;5%;0W063;SMD603	[POB40-2: {1.0}(R37)]	*NOT available in DP
7	1.0000	PC			RESISTOR;CARBON;270ohm;5%;0W063;SMD603	[POB40-2: {1.0}(R46)]	*NOT available in DP
8	1.0000	PC			RESISTOR;CARBON;510ohm;5%;0W063;SMD603	[POB40-1: {1.0}(R27)]	*NOT available in DP
9	1.0000	PC			RESISTOR;CARBON;560ohm;5%;0W063;SMD603	[POB40-1: {1.0}(R52)]	*NOT available in DP
10	1.0000	PC			RESISTOR;CARBON;620ohm;5%;0W063;SMD603	[POB40-1: {1.0}(R42)]	*NOT available in DP
11	2.0000	PC			RESISTOR;CARBON;680ohm;5%;0W063;SMD603	[POB40-1: {2.0}(R145,R155)]	*NOT available in DP
12	2.0000	PC			RESISTOR;CARBON;820ohm;5%;0W063;SMD603	[POB40-1: {2.0}(R24,R91)]	*NOT available in DP
13	7.0000	PC			RESISTOR;CARBON;1Kohm;5%;0W063;SMD603	[POB40-1: {5.0}(R20,R23,R58,R66,R157)]	*NOT available in DP
14	7.0000	PC			RESISTOR;CARBON;2Kohm;5%;0W063;SMD603	[POB40-1: {7.0}(R36-R40,R50,R74)]	*NOT available in DP
15	4.0000	PC			RESISTOR;CARBON;2Kohm2;5%;0W063;SMD603	[POB40-1: {4.0}(R41,R216-R217,R228)]	*NOT available in DP
16	7.0000	PC			RESISTOR;CARBON;2Kohm7;5%;0W063;SMD603	[POB40-1: {6.0}(R73,R85,R108,R149,R185-R186)]	*NOT available in DP
17	5.0000	PC			RESISTOR;CARBON;3Kohm3;5%;0W063;SMD603	[POB40-1: {2.0}(R54,R180)]	*NOT available in DP
18	16.0000	PC			RESISTOR;CARBON;4Kohm7;5%;0W063;SMD603	[POB40-1: {16.0}(R4-R7,R9,R11-R12,R14,R32,R53,R55,R57,R63,R77,R90,R179)]	*NOT available in DP
19	2.0000	PC			RESISTOR;CARBON;5Kohm1;5%;0W063;SMD603	[POB40-1: {2.0}(R1,R34)]	*NOT available in DP
20	3.0000	PC			RESISTOR;CARBON;5Kohm6;5%;0W063;SMD603	[POB40-1: {3.0}(R64-R65,R207)]	*NOT available in DP
21	1.0000	PC			RESISTOR;CARBON;6Kohm2;5%;0W063;SMD603	[POB40-2: {1.0}(R23)]	*NOT available in DP
22	3.0000	PC			RESISTOR;CARBON;6Kohm8;5%;0W063;SMD603	[POB40-1: {3.0}(R17-R18,R31)]	*NOT available in DP
23	1.0000	PC			RESISTOR;CARBON;7Kohm5;5%;0W063;SMD603	[POB40-1: {1.0}(R60)]	*NOT available in DP
24	1.0000	PC			RESISTOR;CARBON;8Kohm2;5%;0W063;SMD603	[POB40-2: {1.0}(R29)]	*NOT available in DP
25	4.0000	PC			RESISTOR;CARBON;9Kohm1;5%;0W063;SMD603	[POB40-1: {1.0}(R44)]	*NOT available in DP
26	29.0000	PC			RESISTOR;CARBON;10Kohm;5%;0W063;SMD603	[POB40-1: {20.0}(R19,R22,R35,R61,R69-R70,R88,R98,R105,R112,R118,R121,R160,R172,R182,R188-R189,R198,R204,R206)]	*NOT available in DP
27	4.0000	PC			RESISTOR;CARBON;12Kohm;5%;0W063;SMD603	[POB40-2: {4.0}(R12,R24,R35-R36)]	*NOT available in DP
28	1.0000	PC			RESISTOR;CARBON;14Kohm;1%;0W063;SMD603	[POB40-1: {1.0}(R21)]	*NOT available in DP
29	2.0000	PC			RESISTOR;CARBON;15Kohm;5%;0W063;SMD603	[POB40-1: {2.0}(R68,R187)]	*NOT available in DP
30	1.0000	PC			RESISTOR;CARBON;18Kohm;5%;0W063;SMD603	[POB40-1: {1.0}(R168)]	*NOT available in DP
31	1.0000	PC			RESISTOR;CARBON;20Kohm;5%;0W063;SMD603	[POB40-1: {1.0}(R30)]	*NOT available in DP
32	5.0000	PC			RESISTOR;CARBON;22Kohm;5%;0W063;SMD603	[POB40-1: {3.0}(R15,R29,R130)]	*NOT available in DP
33	2.0000	PC			RESISTOR;CARBON;27Kohm;5%;0W063;SMD603	[POB40-1: {2.0}(R56,R166)]	*NOT available in DP
34	6.0000	PC			RESISTOR;CARBON;33Kohm;5%;0W063;SMD603	[POB40-1: {6.0}(R48,R51,R59,R126-R127,R167)]	*NOT available in DP
35	2.0000	PC			RESISTOR;CARBON;39Kohm;5%;0W063;SMD603	[POB40-2: {2.0}(R30,R41)]	*NOT available in DP
36	12.0000	PC			RESISTOR;CARBON;47Kohm;5%;0W063;SMD603	[POB40-1: {10.0}(R13,R16,R28,R62,R181,R203,R205,R227,R229-R230)]	*NOT available in DP
37	2.0000	PC			RESISTOR;CARBON;68Kohm;5%;0W063;SMD603	[POB40-2: {2.0}(R33-R34)]	*NOT available in DP
38	1.0000	PC			RESISTOR;CARBON;82Kohm;5%;0W063;SMD603	[POB40-1: {1.0}(R33)]	*NOT available in DP
39	12.0000	PC			RESISTOR;CARBON;100Kohm;5%;0W063;SMD603	[POB40-1: {8.0}(R25,R49,R92,R95,R113,R122,R146,R161)]	*NOT available in DP
40	4.0000	PC			RESISTOR;CARBON;120Kohm;5%;0W063;SMD603	[POB40-1: {4.0}(R26,R67,R71,R184)]	*NOT available in DP
41	2.0000	PC			RESISTOR;CARBON;220Kohm;5%;0W063;SMD603	[POB40-1: {2.0}(R97,R163)]	*NOT available in DP
42	3.0000	PC			RESISTOR;CARBON;330Kohm;5%;0W063;SMD603	[POB40-1: {3.0}(R8,R170-R171)]	*NOT available in DP

	Quantity	Unit	S.Sku	M.Sku	Description	Reference Designators	Notes
43	2.0000	PC			RESISTOR;CARBON;470Kohm;5%;0W063;SMD603	[P0B40:1: {2.0}(R114,R169)]	*NOT available in DP
44	2.0000	PC			RESISTOR;CARBON;820Kohm;5%;0W063;SMD603	[P0B40:1: {2.0}(R115,R162)]	*NOT available in DP
45	4.0000	PC			RESISTOR;CARBON;1Mohm;5%;0W063;SMD603	[P0B40:1: {4.0}(R3,R129,R200,R221)]	*NOT available in DP
46	2.0000	PC			RESISTOR;METAL;200ohm;1%;0W063;SMD603	[P0B40:1: {2.0}(R101,R103)]	*NOT available in DP
47	2.0000	PC			RESISTOR;METAL;360ohm;1%;0W063;SMD603	[P0B40:1: {2.0}(R117,R133)]	*NOT available in DP
48	2.0000	PC			RESISTOR;METAL;1Kohm2;1%;0W063;SMD603	[P0B40:1: {2.0}(R124,R132)]	*NOT available in DP
49	4.0000	PC			RESISTOR;METAL;2Kohm2;1%;0W063;SMD603	[P0B40:1: {4.0}(R116,R123,R131,R140)]	*NOT available in DP
50	2.0000	PC			RESISTOR;METAL;3Kohm9;1%;0W063;SMD603	[P0B40:1: {2.0}(R125,R141)]	*NOT available in DP
51	4.0000	PC			RESISTOR;METAL;4Kohm7;1%;0W063;SMD603	[P0B40:2: {4.0}(R19,R27,R38-R39)]	*NOT available in DP
52	2.0000	PC			RESISTOR;METAL;7Kohm50;1%;0W063;SMD603	[P0B40:1: {2.0}(R102,R110)]	*NOT available in DP
53	2.0000	PC			RESISTOR;METAL;8Kohm06;1%;0W063;SMD603	[P0B40:1: {2.0}(R109,R111)]	*NOT available in DP
54	1.0000	PC			RESISTOR;METAL;8Kohm45;1%;0W063;SMD603	[P0B40:1: {1.0}(R43)]	*NOT available in DP
55	3.0000	PC			RESISTOR;METAL;10Kohm;1%;0W063;SMD603	[P0B40:1: {3.0}(R86-R87,R156)]	*NOT available in DP
56	4.0000	PC			RESISTOR;METAL;20Kohm;1%;0W063;SMD603	[P0B40:1: {4.0}(R93-R94,R119-R120)]	*NOT available in DP
57	2.0000	PC			RESISTOR;METAL;22Kohm;1%;0W063;SMD603	[P0B40:1: {2.0}(R151-R152)]	*NOT available in DP
58	2.0000	PC			RESISTOR;METAL;470Kohm;1%;0W063;SMD603	[P0B40:1: {2.0}(R135-R136)]	*NOT available in DP
59	7.0000	PC			RESISTOR;CARBON;100ohm;5%;0W1;SMD805	[P0B40:1: {3.0}(R83,R191,R195)]	*NOT available in DP
60	2.0000	PC			RESISTOR;CARBON;510ohm;5%;0W1;SMD805	[P0B40:1: {2.0}(R192,R196)]	*NOT available in DP
61	1.0000	PC			RESISTOR;CARBON;820ohm;5%;0W1;SMD805	[P0B40:1: {1.0}(R233)]	*NOT available in DP
62	5.0000	PC			RESISTOR;CARBON;1Kohm;5%;0W1;SMD805	[P0B40:1: {5.0}(R144,R150,R153-R154,R164)]	*NOT available in DP
63	2.0000	PC			RESISTOR;CARBON;1Kohm5;5%;0W1;SMD805	[P0B40:1: {2.0}(R176,R224)]	*NOT available in DP
64	2.0000	PC			RESISTOR;CARBON;1Kohm6;5%;0W1;SMD805	[P0B40:1: {2.0}(R147-R148)]	*NOT available in DP
65	4.0000	PC			RESISTOR;CARBON;2Kohm2;5%;0W1;SMD805	[P0B40:1: {4.0}(R209-R211,R215)]	*NOT available in DP
66	1.0000	PC			RESISTOR;CARBON;6Kohm8;5%;0W1;SMD805	[P0B40:1: {1.0}(R219)]	*NOT available in DP
67	2.0000	PC			RESISTOR;CARBON;10Kohm;5%;0W1;SMD805	[P0B40:1: {2.0}(R128,R212)]	*NOT available in DP
68	2.0000	PC			RESISTOR;CARBON;11Kohm;5%;0W1;SMD805	[P0B40:1: {2.0}(R158-R159)]	*NOT available in DP
69	1.0000	PC			RESISTOR;CARBON;20Kohm;5%;0W1;SMD805	[P0B40:1: {1.0}(R173)]	*NOT available in DP
70	4.0000	PC			RESISTOR;CARBON;47Kohm;5%;0W1;SMD805	[P0B40:1: {4.0}(R134,R137,R142-R143)]	*NOT available in DP
71	1.0000	PC			RESISTOR;CARBON;100Kohm;5%;0W1;SMD805	[P0B40:1: {1.0}(R213)]	*NOT available in DP
72	3.0000	PC			RESISTOR;CARBON;220Kohm;5%;0W1;SMD805	[P0B40:1: {3.0}(R190,R197,R220)]	*NOT available in DP
73	3.0000	PC			RESISTOR;CARBON;330Kohm;5%;0W1;SMD805	[P0B40:1: {3.0}(R45-R47)]	*NOT available in DP
74	2.0000	PC			RESISTOR;CARBON;470Kohm;5%;0W1;SMD805	[P0B40:1: {2.0}(R139,R165)]	*NOT available in DP
75	2.0000	PC			RESISTOR;CARBON;1Mohm;5%;0W1;SMD805	[P0B40:1: {2.0}(R138,R218)]	*NOT available in DP
76	1.0000	PC			RESISTOR;CARBON;100ohm;5%;0W25;SMD1206	[P0B40:1: {1.0}(R231)]	*NOT available in DP
77	2.0000	PC			RESISTOR;CARBON;10Kohm;5%;0W25;SMD1206	[P0B40:1: {2.0}(R225-R226)]	*NOT available in DP
78	2.0000	PC			RESISTOR;METAL;2ohm2;1%;0W25;SMD1206	[P0B40:1: {2.0}(R201-R202)]	*NOT available in DP
79	2.0000	PC			RESISTOR;SMT;12Kohm7;1%;METAL;0W25;SMD1206	[P0B40:1: {2.0}(R193-R194)]	*NOT available in DP
80	2.0000	PC			RESISTOR;SMD;METAL;300Kohm;1%;0W25;SMD1206	[P0B40:1: {2.0}(R177-R178)]	*NOT available in DP
81	1.0000	PC	Y04-12000-03091	I04-12000-03091	THERMISTOR;NTC;20ohm;+/- 20%;4A;DIA.;PITCH:7mm5;(THINKING SCK-20200MSY)		
82	1.0000	PC			RESISTOR;METAL;5.6 kohm;2W;5%;METAL OXIDE FILM;MOF;F-TYPE	[P0B40:1: {1.0}(R234)]	*NOT available in DP
83	1.0000	PC			RESISTOR;CARBON;220Kohm;5%;0W5;LEAD WIRE	[P0B40:1: {1.0}(R104)]	*NOT available in DP
84	3.0000	PC			RESISTOR;METAL;100Kohm;1%;0W5;LEAD WIRE;HORIZONTAL 52-6mm	[P0B40:1: {3.0}(R199,R208,R232)]	*NOT available in DP
85	2.0000	PC			RESISTOR;METAL;47Kohm;5%;2W;LEAD WIRE;F-TYPE	[P0B40:1: {2.0}(R222-R223)]	*NOT available in DP
86	1.0000	PC			RESISTOR;CEMENT;3Kohm3;5%;2W;LEAD WIRE;RADIAL;PITCH:5mm;PRECUT:3mm1+/-0mm5	[P0B40:1: {1.0}(R237)]	*NOT available in DP
87	3.0000	PC			RESISTOR;CEMENT;220ohm;5%;5W;LEAD WIRE;RADIAL;PITCH:5mm;PRECUT:3mm1+/-0mm5	[P0B40:1: {3.0}(R174-R175,R214)]	*NOT available in DP

	Quantity	Unit	S.Sku	M.Sku	Description	Reference Designators	Notes
88	2.0000	PC			RESISTOR;CEMENT;1Kohm50;5%;5W;LEAD WIRE;RADIAL;PITCH:5mm;PRECUT:3mm1+/-0mm5	[P0B40:1: {2.0}(R235-R236)]	*NOT available in DP

## Potentiometer

	Quantity	Unit	S.Sku	M.Sku	Description	Reference Designators	Notes
1	2.0000	PC		I03-00000-91676	POTENTIOMETER;20 kohm;0.050W;TAPER:15A;20 %;MONO;F-SHAFT:15MM;ANGLED;NO NUT AND WASHER;80-150GF;HHTORQUE;SOUNDWELL	[P0B40:1: {2.0}(VR1-VR4)]	
2	2.0000	PC		I03-00000-91679	POTENTIOMETER;2 kohm;TAPER:1B;20 %;MONO;F-SHAFT:15MM;ANGLED;NO NUT AND WASHER;80-150GF;HHTORQUE;SOUNDWELL	[P0B40:1: {2.0}(VR6-VR7)]	
3	1.0000	PC		I03-00000-91680	POTENTIOMETER;50 kohm;0.050W;TAPER:15C;20 %;STEREO;F-SHAFT:15MM;ANGLED;NO NUT AND WASHER;80-150GF;HHTORQUE;SOUNDWELL	[P0B40:1: {1.0}(VR8)]	
4	2.0000	PC	Y03-00001-02592	I03-00001-02592	POTENTIOMETER;20 kohm;TAPER:1B;20 %;MONO;W/O CC;BULK;F-SHAFT:15MM;ANGLED;80-150GF;HHTORQUE;NO NUT AND WASHER;SOUNDWELL	[P0B40:1: {2.0}(VR9-VR10)]	
5	1.0000	PC		I03-00001-02593	POTENTIOMETER;50 kohm;TAPER:3B;20 %;MONO;W/O CC;BULK;F-SHAFT:15MM;ANGLED;80-150GF;HHTORQUE;NO NUT AND WASHER;SOUNDWELL	[P0B40:1: {1.0}(VR2)]	
6	1.0000	PC		I03-00001-07557	POTENTIOMETER;100 kohm;TAPER:15A;20 %;MONO;F-SHAFT:15MM;ANGLED;W/O CC;80-150GF;HHT;SW;NO NUT AND WASHER	[P0B40:1: {1.0}(VR5)]	
7	1.0000	PC		I03-00001-07560	POTENTIOMETER;250 kohm;TAPER:15A;20 %;MONO;F-SHAFT:15MM;ANGLED;W/O CC;80-150GF;HHT;SW;NO NUT AND WASHER	[P0B40:1: {1.0}(VR3)]	

## Switch

	Quantity	Unit	S.Sku	M.Sku	Description	Reference Designators	Notes
1	2.0000	PC	Y77-03422-02778	I77-03422-02778	SWITCH;RADIAL;2P2T;PCB VERSION;LOCKING;NONSHORT;RAD2P	[P0B40:2: {2.0}(SW1-SW2)]	
2	1.0000	PC	Y82-00822-04267	I82-00822-04267	SWITCH;PUSH;2P2T;PCB VERSION COMAX PB-22D01-F NS;NONLOCKING;NONSHORT	[P0B40:1: {1.0}(SW1)]	
3	1.0000	PC	Y86-00323-04226	I86-00323-04226	SWITCH;SLIDE;POLES:2;TOGGLES:3;LOCKING;SHORTING;PCB VERSION;DONGGUAN WEILI SS-23H49-G6	[P0B40:2: {1.0}(SW3)]	
4	2.0000	PC	Y87-43811-03768	I87-43811-03768	SWITCH;TACTILE;POLES:1;HEIGHT:4mm3;PCB VERSION;NONLOCK;NONSHORT	[P0A5I:00: {2.0}(SW1-SW2)]	
5	2.0000	PC	Y90-02211-03087	I90-02211-03087	SWITCH;TOGGLE;TOGGLES:1;POLE:1;LOCKING; NONSHORT; SOLDER LUG;ARCO C3900BAAAB		

## Transistor

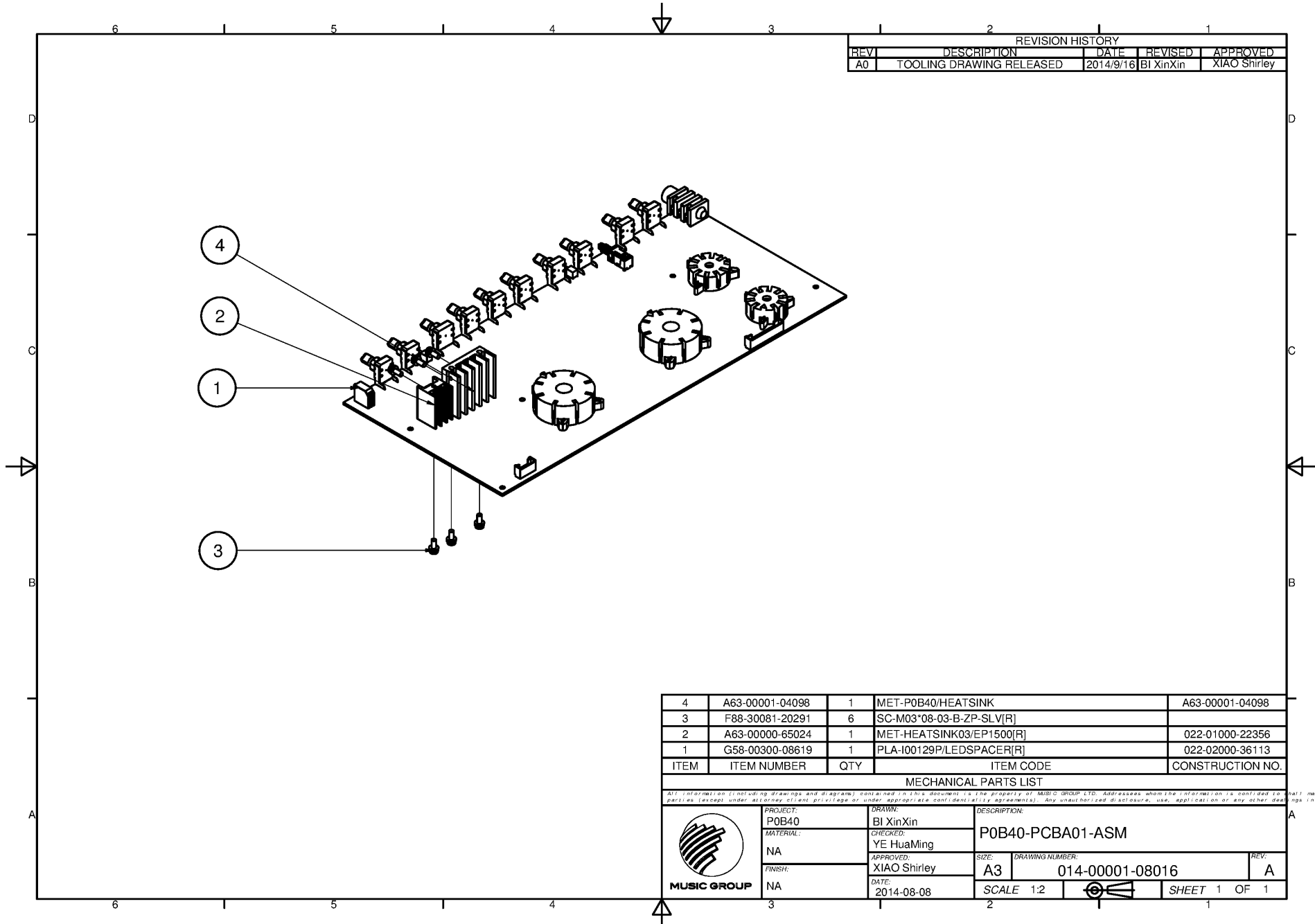
	Quantity	Unit	S.Sku	M.Sku	Description	Reference Designators	Notes
1	1.0000	PC			TRANSISTOR;2SC3326B;SOT	[P0B40:1: {1.0}(T2)]	*NOT available in DP
2	2.0000	PC			TRANSISTOR;FET;600V;SPP04N60C3;TO220	[P0B40:1: {2.0}(T18-T19)]	*NOT available in DP
3	2.0000	PC			TRANSISTOR;BC846B;SOT;SMD	[P0B40:1: {2.0}(T13,T16)]	*NOT available in DP
4	4.0000	PC			TRANSISTOR;BC856B;SOT;SMD	[P0B40:1: {4.0}(T10,T14-T15,T17)]	*NOT available in DP
5	2.0000	PC			TRANSISTOR;MBTA92;SOT	[P0B40:1: {2.0}(T8-T9)]	*NOT available in DP
6	6.0000	PC			TRANSISTOR;MMBFJ175;SOT23	[P0B40:1: {6.0}(T1,T3-T6,T12)]	*NOT available in DP

**Cover**

	Quantity	Unit	S.Sku	M.Sku	Description	Reference Designators	Notes
1	0.7000	YD		J11-30000-05973	ARTIFICIAL LEATHER;RX-1229-LB;THICKNESS:0.8mm;WIDTH:1380mm;COLOR:BLACK		

**Vacuum Tube**

	Quantity	Unit	S.Sku	M.Sku	Description	Reference Designators	Notes
1	2.0000	PC	Z83-69013-47108	J83-69013-47108	TUBE,PENTODE;EL34;SHUGUANG		
2	2.0000	PC		J83-69013-48008	TUBE,PENTODE;EL34;SHUGUANG;NO ARTWORK		
3	2.0000	PC	Z84-17012-78009	J84-17012-78009	TUBE,DOUBLE TRIODE;12AX7;SHUGUANG;NO ARTWORK		
4	2.0000	PC		J84-68008-47109	TUBE,DOUBLE TRIODE;ECC83A;SHUGUANG		



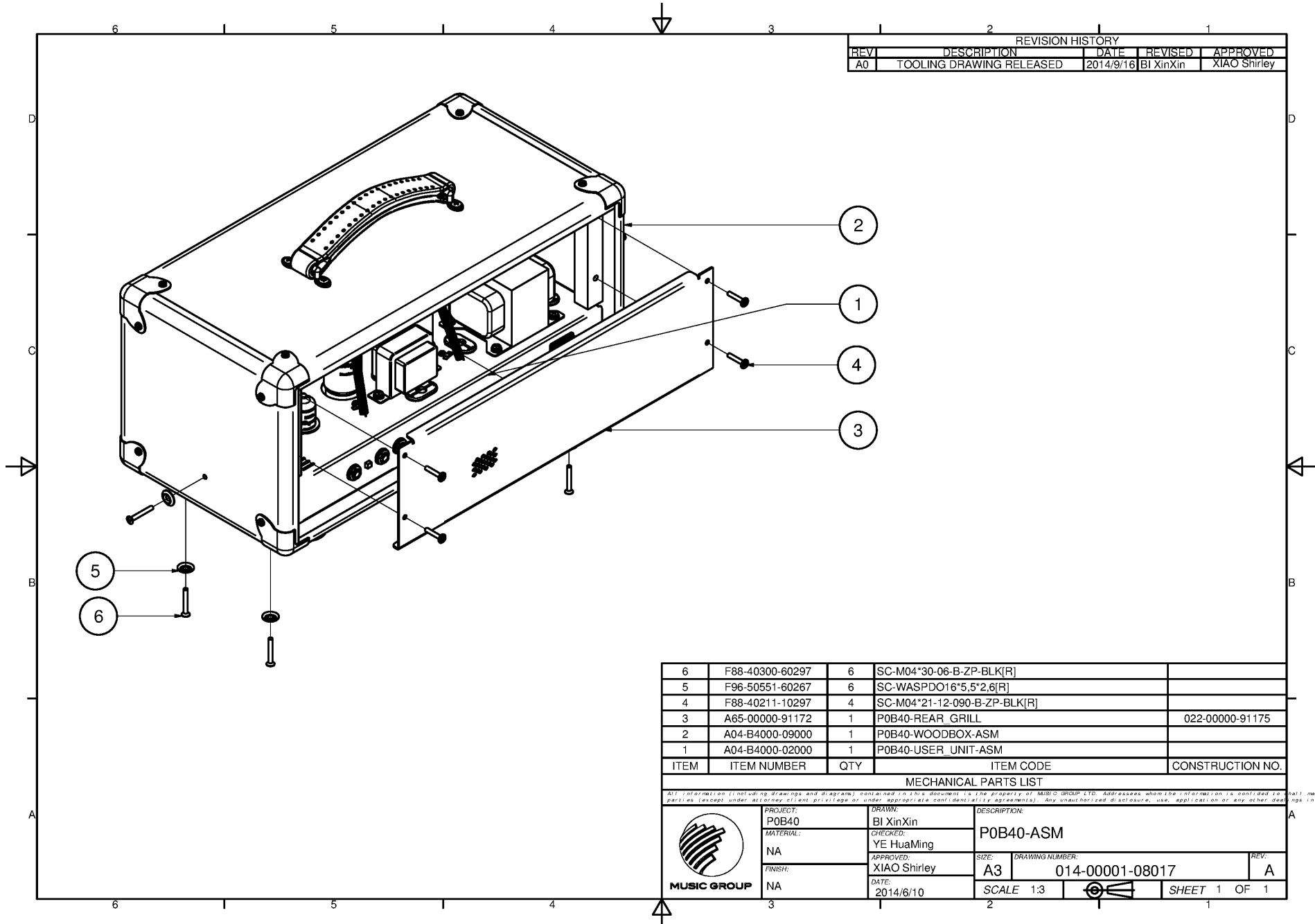
REVISION HISTORY				
REV	DESCRIPTION	DATE	REVISED	APPROVED
A0	TOOLING DRAWING RELEASED	2014/9/16	BI XinXin	XIAO Shirley

4	A63-00001-04098	1	MET-P0B40/HEATSINK	A63-00001-04098
3	F88-30081-20291	6	SC-M03*08-03-B-ZP-SLV[R]	
2	A63-00000-65024	1	MET-HEATSINK03/EP1500[R]	022-01000-22356
1	G58-00300-08619	1	PLA-100129P/LEDSPACER[R]	022-02000-36113
ITEM	ITEM NUMBER	QTY	ITEM CODE	CONSTRUCTION NO.

MECHANICAL PARTS LIST

All information (including drawings and diagrams) contained in this document is the property of MUSIC GROUP LTD. Addresses whom the information is confined to shall not be parties (except under attorney-client privilege or under appropriate confidentiality agreements). Any unauthorized disclosure, use, application or any other dealings in

	PROJECT:	POB40	DRAWN:	BI XinXin	DESCRIPTION:		P0B40-PCBA01-ASM SIZE: A3    DRAWING NUMBER: 014-00001-08016    REV: A SCALE 1:2    SHEET 1 OF 1
	MATERIAL:	NA	CHECKED:	YE HuaMing			
	FINISH:	NA	APPROVED:	XIAO Shirley			
		NA	DATE:	2014-08-08			



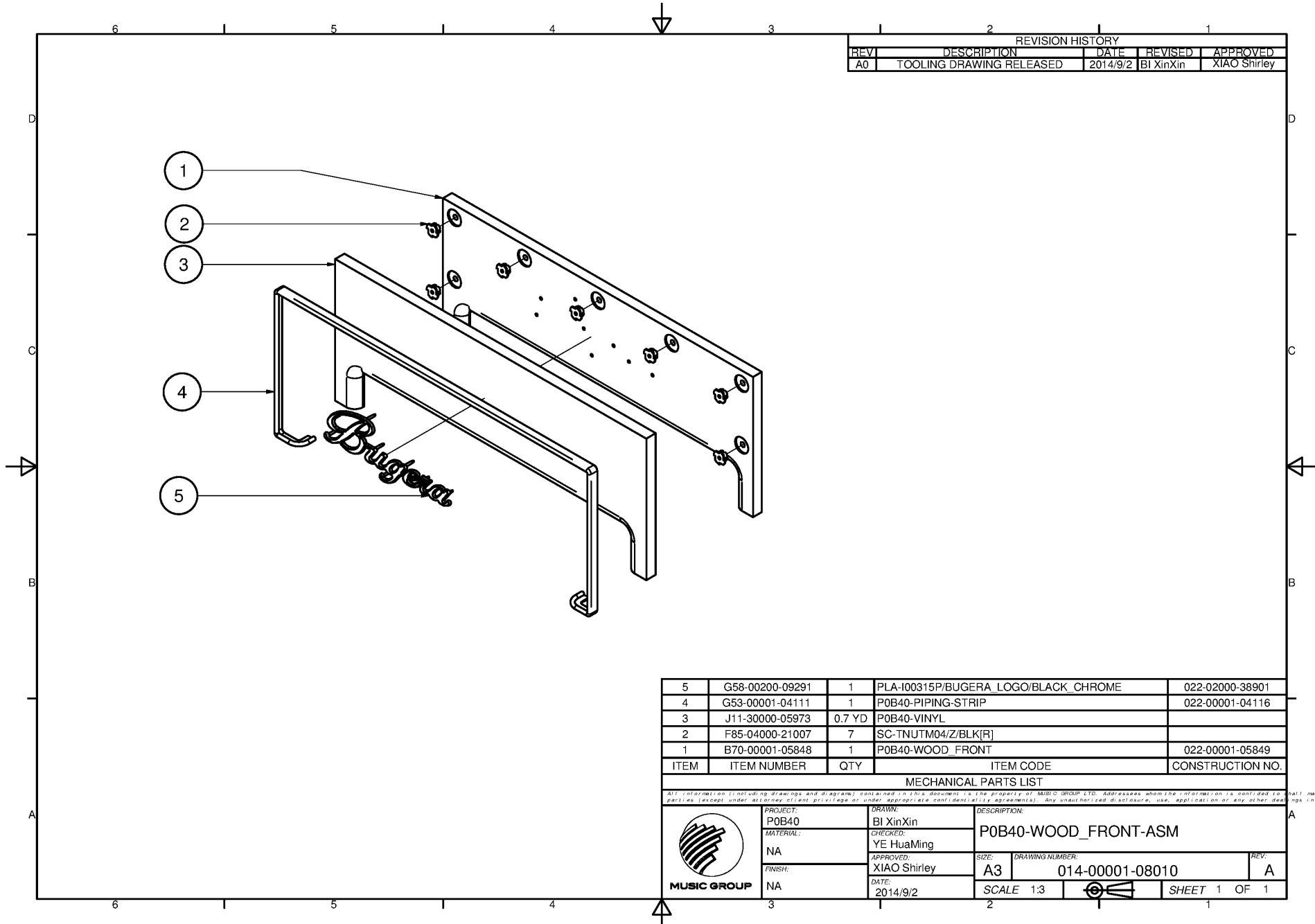
REVISION HISTORY				
REV	DESCRIPTION	DATE	REVISED	APPROVED
A0	TOOLING DRAWING RELEASED	2014/9/16	BI XinXin	XIAO Shirley

6	F88-40300-60297	6	SC-M04*30-06-B-ZP-BLK[R]	
5	F96-50551-60267	6	SC-WASPDO16*5,5*2,6[R]	
4	F88-40211-10297	4	SC-M04*21-12-090-B-ZP-BLK[R]	
3	A65-00000-91172	1	P0B40-REAR GRILL	022-00000-91175
2	A04-B4000-09000	1	P0B40-WOODBOX-ASM	
1	A04-B4000-02000	1	P0B40-USER_UNIT-ASM	
ITEM	ITEM NUMBER	QTY	ITEM CODE	CONSTRUCTION NO.

MECHANICAL PARTS LIST

All information (including drawings and diagrams) contained in this document is the property of MUSIC GROUP LTD. Addressee whom the information is confined to shall not disclose it to any third party (except under attorney-client privilege or under appropriate confidentiality agreements). Any unauthorized disclosure, use, application or any other dealings in this information is strictly prohibited.

	PROJECT:	POB40	DRAWN:	BI XinXin	DESCRIPTION:	P0B40-ASM		
	MATERIAL:	NA	CHECKED:	YE HuaMing	SIZE:	A3	REV:	A
	FINISH:	NA	APPROVED:	XIAO Shirley	DRAWING NUMBER:	014-00001-08017		
	DATE:	2014/6/10	SCALE:	1:3	SHEET:	1 OF 1		



REVISION HISTORY				
REV	DESCRIPTION	DATE	REVISED	APPROVED
A0	TOOLING DRAWING RELEASED	2014/9/2	BI XinXin	XIAO Shirley

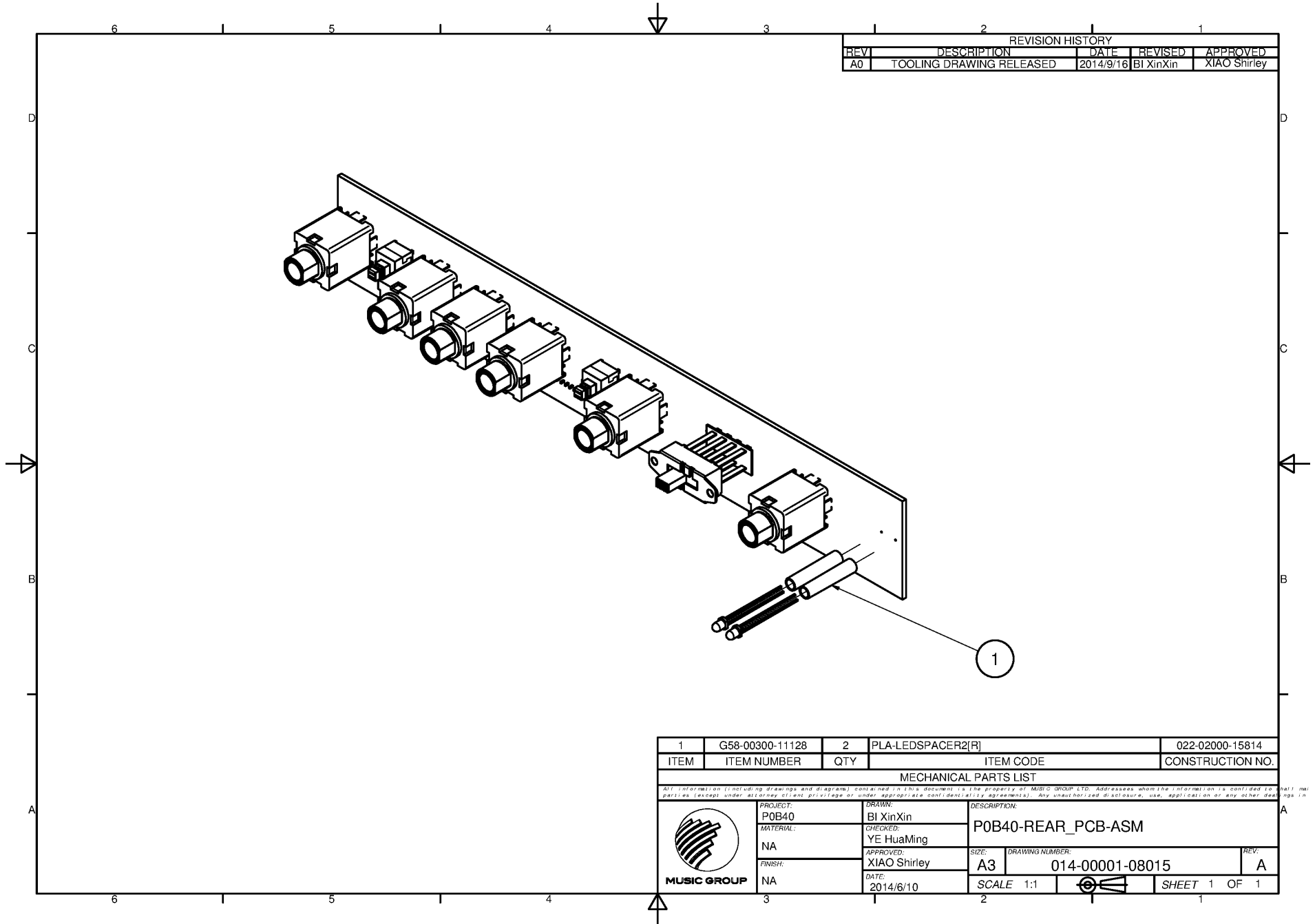
5	G58-00200-09291	1	PLA-100315P/BUGERA LOGO/BLACK CHROME	022-02000-38901
4	G53-00001-04111	1	P0B40-PIPING-STRIP	022-00001-04116
3	J11-30000-05973	0.7 YD	P0B40-VINYL	
2	F85-04000-21007	7	SC-TNUTM04/Z/BLK[R]	
1	B70-00001-05848	1	P0B40-WOOD_FRONT	022-00001-05849
ITEM	ITEM NUMBER	QTY	ITEM CODE	CONSTRUCTION NO.

MECHANICAL PARTS LIST



All information (including drawings and diagrams) contained in this document is the property of MUSIC GROUP LTD. Addressee whom the information is confided to shall not disclose the information to any third party (except under attorney-client privilege or under appropriate confidentiality agreements). Any unauthorized disclosure, use, application or any other dealings in this information is strictly prohibited.

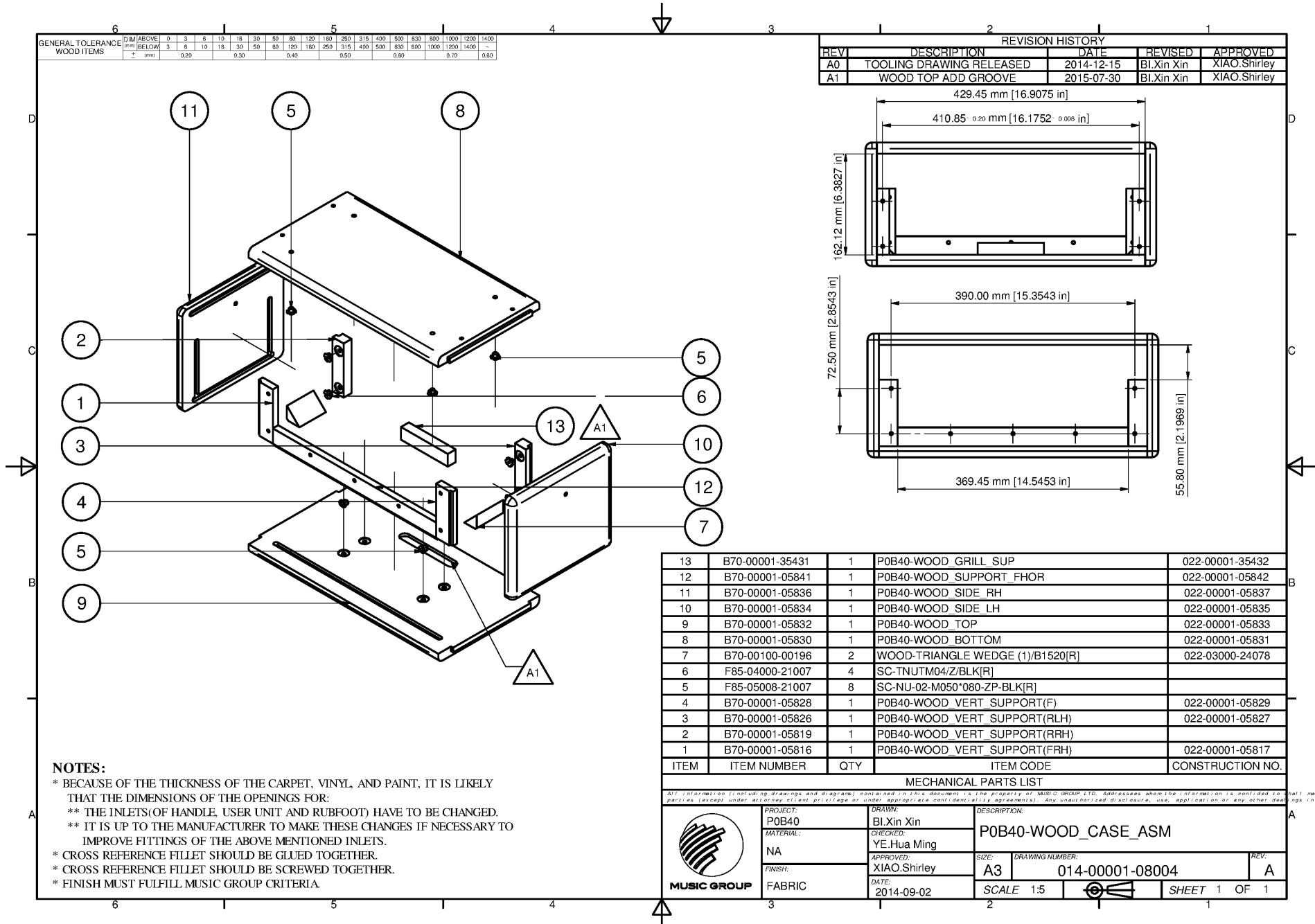
	PROJECT:	POB40	DRAWN:	BI XinXin	DESCRIPTION:		P0B40-WOOD_FRONT-ASM			
	MATERIAL:	NA	CHECKED:	YE HuaMing						
	FINISH:	NA	APPROVED:	XIAO Shirley	SIZE:	A3	DRAWING NUMBER:	014-00001-08010	REV:	A
	DATE:	2014/9/2	SCALE:	1:3			SHEET:	1 OF 1		





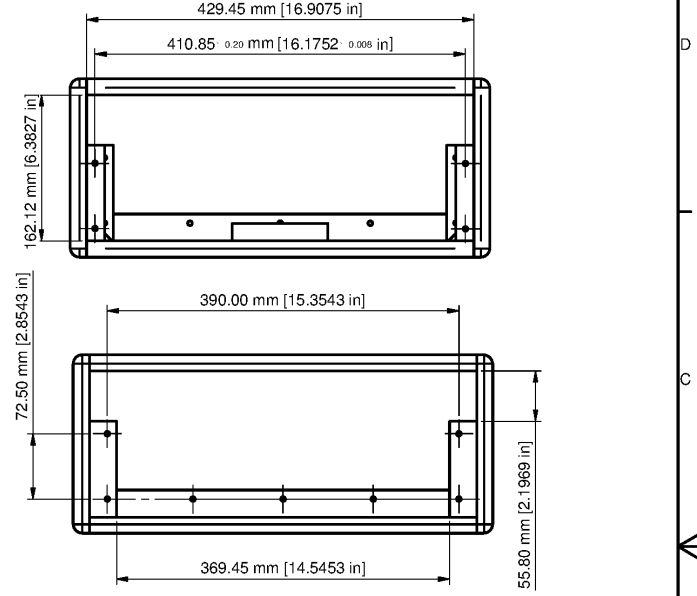
REVISION HISTORY				
REV	DESCRIPTION	DATE	REVISED	APPROVED
A0	TOOLING DRAWING RELEASED	2014/9/16	BI XinXin	XIAO Shirley

1	G58-00300-11128	2	PLA-LEDSPACER2[R]	022-02000-15814
ITEM	ITEM NUMBER	QTY	ITEM CODE	CONSTRUCTION NO.
MECHANICAL PARTS LIST				
<small>All information (including drawings and diagrams) contained in this document is the property of MUSIC GROUP LTD. Addresses whom the information is confided to shall remain parties (except under attorney-client privilege or under appropriate confidentiality agreements). Any unauthorized disclosure, use, application or any other dealings in</small>				
 <b>MUSIC GROUP</b>	PROJECT:	POB40	DRAWN:	BI XinXin
	MATERIAL:	NA	CHECKED:	YE HuaMing
	FINISH:	NA	APPROVED:	XIAO Shirley
		NA	DATE:	2014/6/10
		DESCRIPTION:		
		POB40-REAR_PCB-ASM		
		SIZE:	A3	DRAWING NUMBER:
		014-00001-08015		REV:
		SCALE:	1:1	A
				SHEET 1 OF 1



GENERAL TOLERANCE		DIM ABOVE		DIM BELOW	
WOOD ITEMS		mm		mm	
	±	0	3	3	6
		6	10	18	30
		50	80	120	180
		250	315	400	500
		630	800	1000	1200
		1400			
		0.20	0.30	0.40	0.50
		0.60	0.80	0.70	0.80

REVISION HISTORY				
REV	DESCRIPTION	DATE	REVISED	APPROVED
A0	TOOLING DRAWING RELEASED	2014-12-15	Bl.Xin Xin	XIAO.Shirley
A1	WOOD TOP ADD GROOVE	2015-07-30	Bl.Xin Xin	XIAO.Shirley



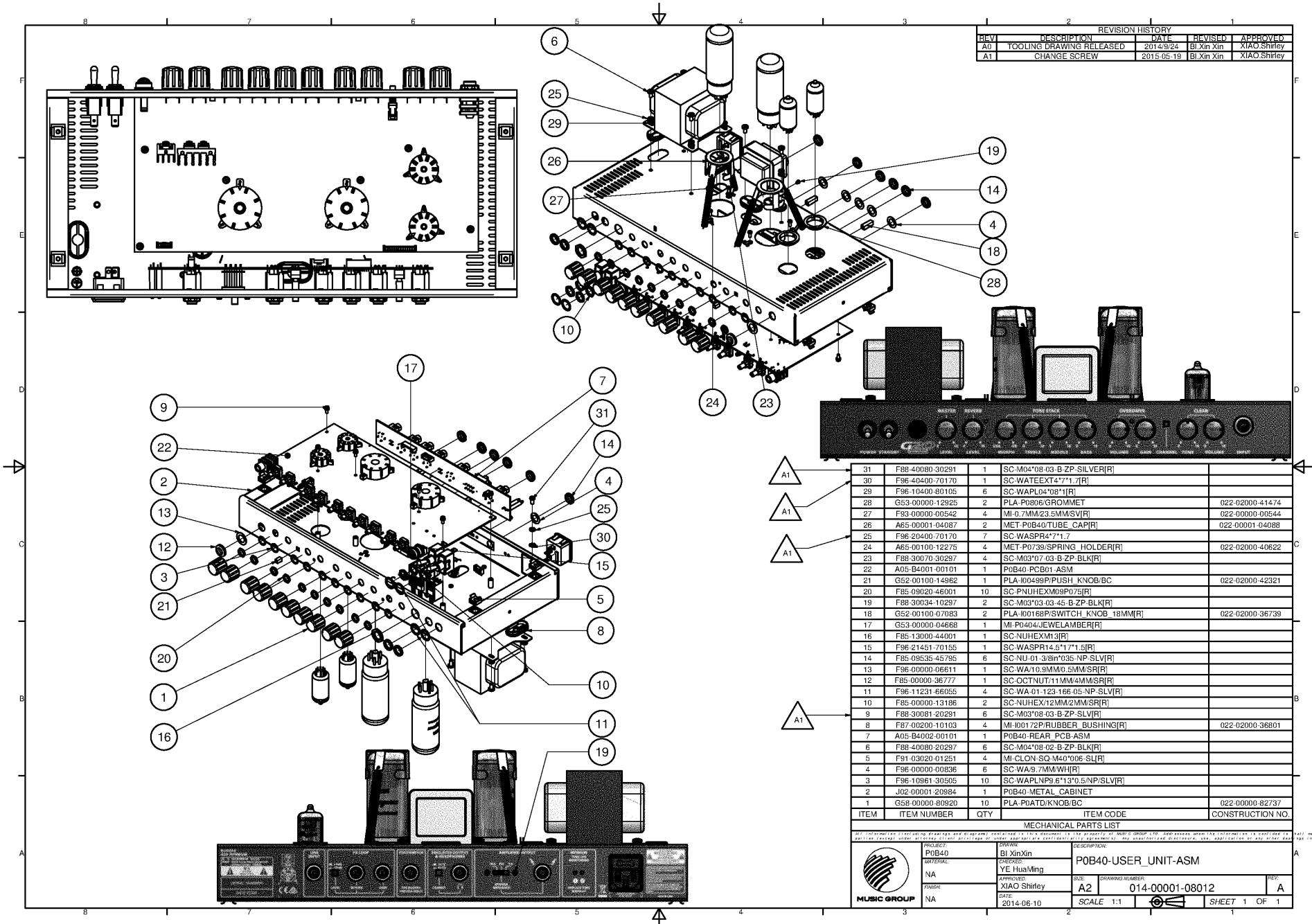
13	B70-00001-35431	1	P0B40-WOOD GRILL_SUP	022-00001-35432
12	B70-00001-05841	1	P0B40-WOOD_SUPPORT_FHOR	022-00001-05842
11	B70-00001-05836	1	P0B40-WOOD_SIDE_RH	022-00001-05837
10	B70-00001-05834	1	P0B40-WOOD_SIDE_LH	022-00001-05835
9	B70-00001-05832	1	P0B40-WOOD_TOP	022-00001-05833
8	B70-00001-05830	1	P0B40-WOOD_BOTTOM	022-00001-05831
7	B70-00100-00196	2	WOOD-TRIANGLE WEDGE (1)/B1520[R]	022-03000-24078
6	F85-04000-21007	4	SC-TNUTM04/Z/BLK[R]	
5	F85-05008-21007	8	SC-NU-02-M050*080-ZP-BLK[R]	
4	B70-00001-05828	1	P0B40-WOOD_VERT_SUPPORT(F)	022-00001-05829
3	B70-00001-05826	1	P0B40-WOOD_VERT_SUPPORT(RLH)	022-00001-05827
2	B70-00001-05819	1	P0B40-WOOD_VERT_SUPPORT(RRH)	
1	B70-00001-05816	1	P0B40-WOOD_VERT_SUPPORT(FRH)	022-00001-05817
ITEM	ITEM NUMBER	QTY	ITEM CODE	CONSTRUCTION NO.

MECHANICAL PARTS LIST

All information (including drawings and diagrams) contained in this document is the property of MUSIC GROUP LTD. Addresses whom the information is confined to shall not be disclosed to any other party without the prior written consent of MUSIC GROUP LTD. Any unauthorized disclosure, use, application or any other dealings in this information is strictly prohibited.

- NOTES:**
- \* BECAUSE OF THE THICKNESS OF THE CARPET, VINYL, AND PAINT, IT IS LIKELY THAT THE DIMENSIONS OF THE OPENINGS FOR:
  - \*\* THE INLETS (OF HANDLE, USER UNIT AND RUBFOOT) HAVE TO BE CHANGED.
  - \*\* IT IS UP TO THE MANUFACTURER TO MAKE THESE CHANGES IF NECESSARY TO IMPROVE FITTINGS OF THE ABOVE MENTIONED INLETS.
  - \* CROSS REFERENCE FILLET SHOULD BE GLUED TOGETHER.
  - \* CROSS REFERENCE FILLET SHOULD BE SCREWED TOGETHER.
  - \* FINISH MUST FULFILL MUSIC GROUP CRITERIA.

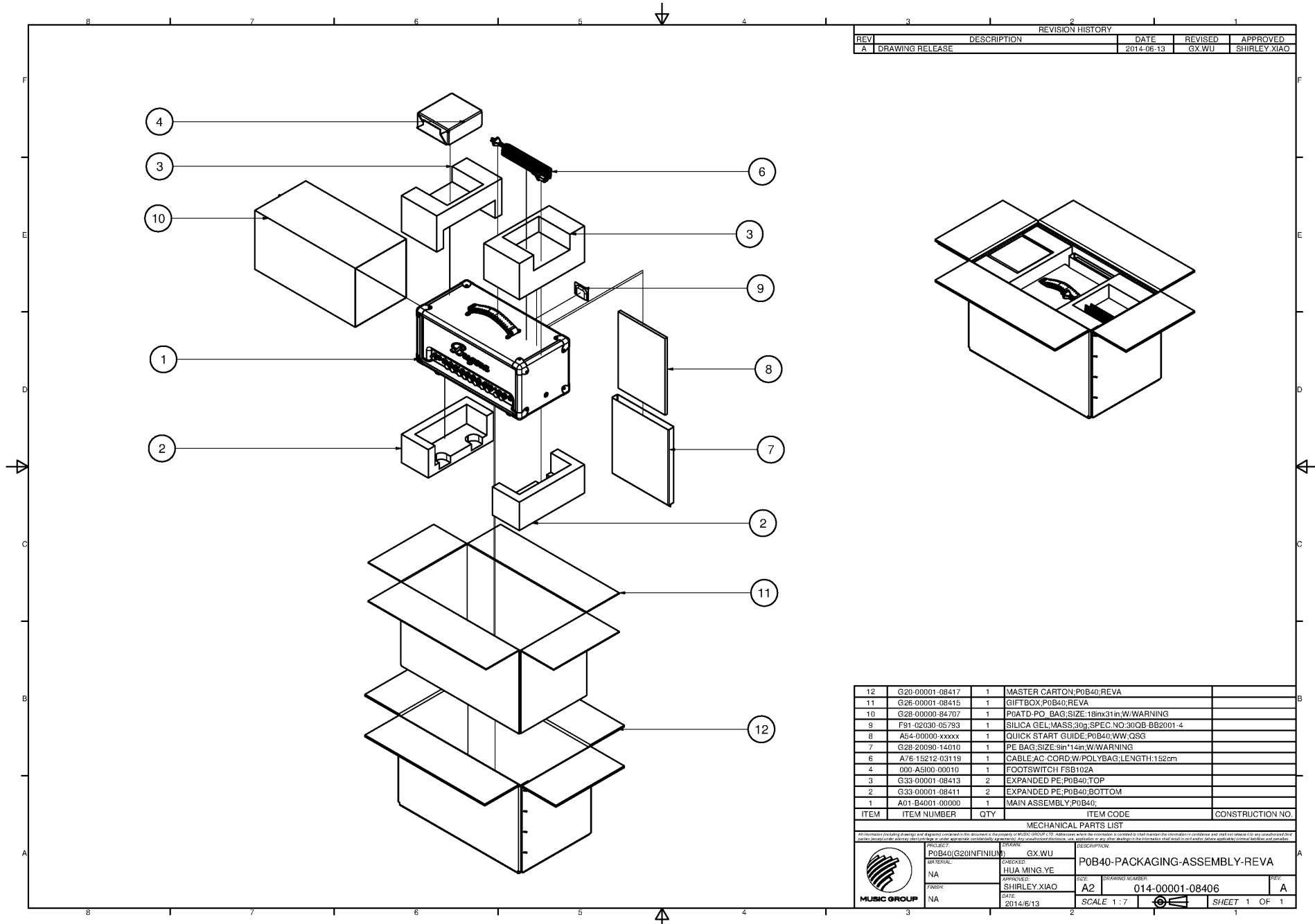
	PROJECT:	POB40	DRAWN:	Bl.Xin Xin	DESCRIPTION:	P0B40-WOOD_CASE_ASM	
	MATERIAL:	NA	CHECKED:	YE.Hua Ming	SIZE:	DRAWING NUMBER:	REV:
	FINISH:	FABRIC	APPROVED:	XIAO.Shirley	A3	014-00001-08004	A
			DATE:	2014-09-02	SCALE	1:5	SHEET



REVISION HISTORY				
REV	DESCRIPTION	DATE	REVISED BY	APPROVED BY
A0	TOOLING DRAWING RELEASED	2014/9/24	Bl.Xin.Xin	XIAO.Shirley
A1	CHANGE SCREW	2015-05-19	Bl.Xin.Xin	XIAO.Shirley

A1	31	F88-40080-30291	1	SC-M04*08-03-B-ZP-SILVER[R]	
	30	F96-40400-70170	1	SC-WATEXT4*7*1.7[R]	
	29	F96-10400-80105	6	SC-WAPL04*08*1[R]	
	28	G53-00000-12925	2	PLA-P0806/GROMMET	022-02000-41474
	27	F93-00000-00542	4	MI-0.7MM/23.5MM/SV[R]	022-00000-00544
	26	A65-00001-04087	2	MET-P0B40/TUBE_CAP[R]	022-00001-04088
	25	F96-20400-70170	7	SC-WASPR4*7*1.7	
	24	A65-00100-12275	4	MET-P0739/SPRING_HOLD[R]	022-02000-40622
	23	F88-30070-30297	4	SC-M03*07-03-B-ZP-BLK[R]	
	22	A05-B4001-00101	1	P0B40-PCB01-ASM	
	21	G52-00100-14862	1	PLA-I00499P/PUSH_KNOB/BC	022-02000-42321
	20	F85-09020-46001	10	SC-PNUHEXM09P075[R]	
	19	F88-30034-10297	2	SC-M03*03-03-45-B-ZP-BLK[R]	
	18	G52-00100-07083	2	PLA-I00168P/SWITCH_KNOB_18MM[R]	022-02000-36739
	17	G53-00000-04668	1	MI-P0404/JEWELAMBER[R]	
	16	F85-13000-44001	1	SC-NUHEXM13[R]	
	15	F96-21451-70155	1	SC-WASPR14.5*17*1.5[R]	
	14	F85-09535-45795	6	SC-NU-01-38in*035-NP-SLV[R]	
	13	F96-00000-06611	1	SC-WA10.8MM/0.5MM/SR[R]	
	12	F85-00000-36777	1	SC-OCTNUT/11MM/4MM/SR[R]	
	11	F96-11231-66055	4	SC-WA-01-123-166-05-NP-SLV[R]	
	10	F85-00000-13196	2	SC-NUHEX/12MM/2MM/SR[R]	
	9	F88-30081-20291	6	SC-M03*08-03-B-ZP-SLV[R]	
	8	F87-00200-10103	4	MI-I00172P/RUBBER_BUSHING[R]	022-02000-36801
	7	A05-B4002-00101	1	P0B40-REAR-PCB-ASM	
	6	F88-40080-20297	6	SC-M04*08-02-B-ZP-BLK[R]	
	5	F91-03020-01251	4	MI-CLON-SQ-M40*006-SLV[R]	
	4	F96-00000-00836	6	SC-WA9.7MM/WH[R]	
	3	F96-10861-30505	10	SC-WAPLNP9.6*13*0.5/NP-SLV[R]	
	2	J02-00001-20984	1	P0B40-METAL_CABINET	
	1	G58-00000-80920	10	PLA-P0ATD/KNOB/BC	022-00000-82737
ITEM	ITEM NUMBER	QTY	ITEM CODE	CONSTRUCTION NO.	

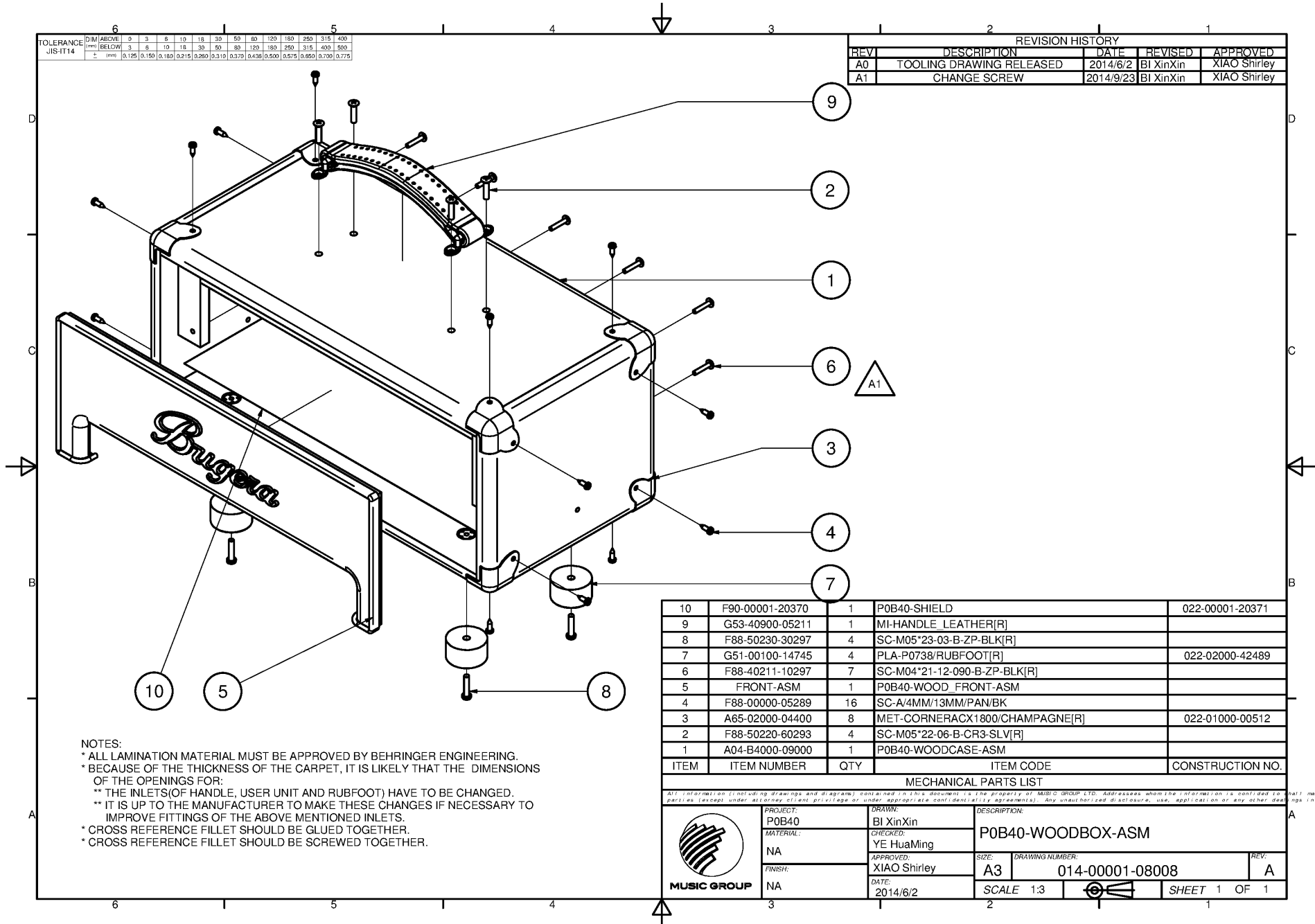
MECHANICAL PARTS LIST			
PROJECT:	P0B40	DRAWN:	Bl.Xin.Xin
CHECKED:	YE HuaMing	DATE:	2014-06-10
APPROVED:	XIAO Shirley	SCALE:	1:1
DESCRIPTION:	P0B40-USER_UNIT-ASM		
SIZE:	A2	DRAWING NUMBER:	014-00001-08012
REV:	A	SHEET:	1 OF 1



REVISION HISTORY				
REV	DESCRIPTION	DATE	REVISED	APPROVED
A	DRAWING RELEASE	2014-06-13	GX.WU	SHIRLEY.XIAO

ITEM	ITEM NUMBER	QTY	ITEM CODE	CONSTRUCTION NO.
12	G20-0001-08417	1	MASTER CARTON;P0B40;REVA	
11	G26-0001-08415	1	GIFTBOX;P0B40;REVA	
10	G28-0000-84707	1	P0ATD_PO_BAG;SIZE:18mx31in;W;WARNING	
9	F91-02030-05793	1	SILICA GEL;MASS:30g;SPEC.NO:30QB-BB2001-4	
8	A54-0000-xxxxx	1	QUICK START GUIDE;P0B40;WW;QSG	
7	G28-20090-14010	1	PE BAG;SIZE:9in*14in;W;WARNING	
6	A76-15212-03119	1	CABLE;AC_CORD;W/POLYBAG;LENGTH:152cm	
4	000-A5100-00010	1	FOOTSWITCH FSB102A	
3	G33-0001-08413	2	EXPANDED PE;P0B40;TOP	
2	G33-0001-08411	2	EXPANDED PE;P0B40;BOTTOM	
1	A01-B4001-00000	1	MAIN ASSEMBLY;P0B40;	

MECHANICAL PARTS LIST			
PROJECT: P0B40(G20INFINIUM)	DRAWN: GX.WU	DESCRIPTION: P0B40-PACKAGING-ASSEMBLY-REVA	
MATERIAL: NA	CHECKED: HUA MING.YE	SIZE: A2	DRAWING NUMBER: 014-0001-08406
APPROVED: SHIRLEY.XIAO	DATE: 2014/6/13	SCALE: 1:1.7	SHEET 1 OF 1



TOLERANCE		JIS-IT14															
DIM	ARCHIVE	0	3	6	10	18	30	50	80	120	180	250	315	400	500		
±	mm	0.125	0.150	0.180	0.215	0.280	0.310	0.370	0.438	0.500	0.575	0.650	0.700	0.775			
±	mm																

REVISION HISTORY				
REV	DESCRIPTION	DATE	REVISED	APPROVED
A0	TOOLING DRAWING RELEASED	2014/6/2	BI XinXin	XIAO Shirley
A1	CHANGE SCREW	2014/9/23	BI XinXin	XIAO Shirley

ITEM	ITEM NUMBER	QTY	ITEM CODE	CONSTRUCTION NO.
10	F90-00001-20370	1	POB40-SHIELD	022-00001-20371
9	G53-40900-05211	1	M1-HANDLE LEATHER[R]	
8	F88-50230-30297	4	SC-M05*23-03-B-ZP-BLK[R]	
7	G51-00100-14745	4	PLA-P0738/RUBFOOT[R]	022-02000-42489
6	F88-40211-10297	7	SC-M04*21-12-090-B-ZP-BLK[R]	
5	FRONT-ASM	1	POB40-WOOD_FRONT-ASM	
4	F88-00000-05289	16	SC-A/4MM/13MM/PAN/BK	
3	A65-02000-04400	8	MET-CORNERACX1800/CHAMPAGNE[R]	022-01000-00512
2	F88-50220-60293	4	SC-M05*22-06-B-CR3-SLV[R]	
1	A04-B4000-09000	1	POB40-WOODCASE-ASM	

MECHANICAL PARTS LIST

All information (including drawings and diagrams) contained in this document is the property of MUSIC GROUP LTD. Addresses whom the information is confined to shall not be parties (except under attorney-client privilege or under appropriate confidentiality agreements). Any unauthorized disclosure, use, application or any other dealings in

- NOTES:
- \* ALL LAMINATION MATERIAL MUST BE APPROVED BY BEHRINGER ENGINEERING.
  - \* BECAUSE OF THE THICKNESS OF THE CARPET, IT IS LIKELY THAT THE DIMENSIONS OF THE OPENINGS FOR:
  - \*\* THE INLETS(OF HANDLE, USER UNIT AND RUBFOOT) HAVE TO BE CHANGED.
  - \*\* IT IS UP TO THE MANUFACTURER TO MAKE THESE CHANGES IF NECESSARY TO IMPROVE FITTINGS OF THE ABOVE MENTIONED INLETS.
  - \* CROSS REFERENCE FILLET SHOULD BE GLUED TOGETHER.
  - \* CROSS REFERENCE FILLET SHOULD BE SCREWED TOGETHER.

	PROJECT:	POB40	DRAWN:	BI XinXin	DESCRIPTION:	
	MATERIAL:	NA	CHECKED:	YE HuaMing	POB40-WOODBOX-ASM	
	FINISH:	NA	APPROVED:	XIAO Shirley	SIZE:	A3
	DATE:	2014/6/2	DRAWING NUMBER:	014-00001-08008	REV:	A
			SCALE:	1:3	SHEET 1 OF 1	

*Bugera*