

CONDITIONS: INPUT IS A 1KHz SINE WAVE. BIAS IS 1.5mVdc ACROSS R27 & IS SET WITH NO LOAD, NO INPUT & SET WITHIN 15sec. FROM COLD START

TP	WAVEFORM	AC RMS	DC
1		1V	—
2		3.8V	1.7V
3		3.8V	1.7V
4		1.75V	45.5V
5		1.6V	46.9V
6		1.4V	47.3V
7		1.8V	-45.5V
8		1.6V	-46.9V
9		1.4V	-47.3V
10		29.8V	—

CAUTION:
THIS SCHEMATIC IS PROVIDED FOR USE BY QUALIFIED PERSONNEL. TO AVOID RISK OF ELECTRIC SHOCK, REFER SERVICING TO QUALIFIED SERVICE PERSONNEL. DO NOT PERFORM ANY SERVICING BEYOND THAT EXPLAINED IN THE OPERATING INSTRUCTIONS.

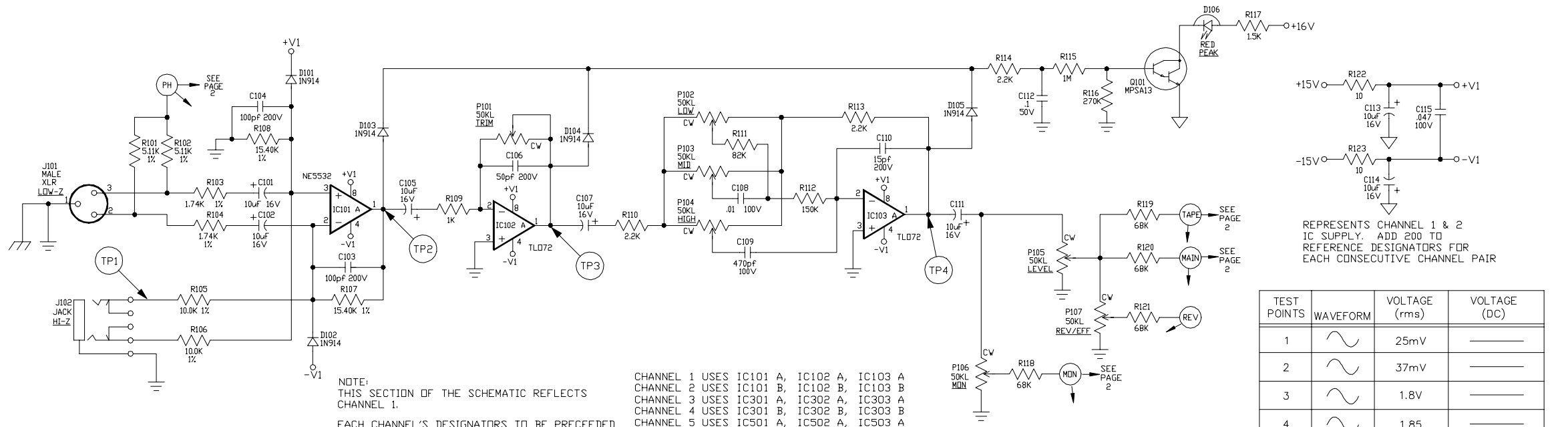
- NOTES**
- 1) CAUTION: SHOCK HAZARD!! THIS UNIT CONTAINS HAZARDOUS VOLTAGE. DISCONNECT POWER AND BE SURE POWER SUPPLY IS DISCHARGED BEFORE TOUCHING INTERNAL PARTS.
 - 2) UNLESS NOTED, RESISTOR VALUES IN OHMS, 1/4W-5% TOL. CAPACITOR VALUES IN MICROFARADS, 50V-10% TOL.
 - 3) VOLTAGES ARE MEASURED WITH 1 MEGOHM OSCILLOSCOPE AND 10 MEGOHM DIGITAL VOLTMETER.

REV	DATE	BY	CHK'D	DESCRIPTION
6				
5				
4	07/06/98	WFB		12 > 12R, 96 > 96R PER E970709
3	07/01/97	SWR		CHANGED FUSE CLIPS ON PICTORIAL TO MATCH P.C.B. PER ECO #970091.
2	05/16/94	LMA		REV CHG TO REFLECT JUMPER CHG PER E150
1	05/13/93	SWR		CHANGED VALUE OF C6 FROM 220PF TO 100PF CHANGE VALUE OF Q17-Q18

SIGNATURES:		DATE:	
DRAWN: MGA		01/18/93	
CHK'D: DKS		01/20/93	
APP'D: DKS		01/20/93	
ORIGINAL ISSUED:		01/20/93	
PLOT DATE:		07/09/98	
PLOT TIME:		15:12:60	
FILE NAME:		48301h4_	

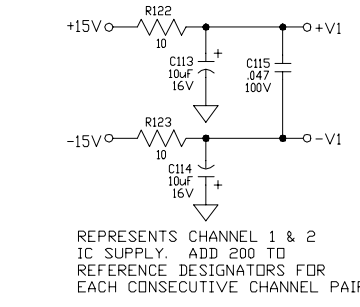
11860 BORMAN DR. ST. LOUIS, MISSOURI 63148	
PROJECT NAME:	PCM-6+/8+/8D BOX MIXER
DRAWING NAME:	POWER AMP SCHEMATIC
DRAWING NO.	07S483-01
SCALE:	NTS
SHEET:	1 OF 1

EXPORT WIRING



NOTE:
THIS SECTION OF THE SCHEMATIC REFLECTS CHANNEL 1.
EACH CHANNEL'S DESIGNATORS TO BE PRECEDED WITH THE NUMBER OF THE CHANNEL.
FOR EXAMPLE R101 FOR CHANNEL 1
R201 FOR CHANNEL 2

CHANNEL 1 USES IC101 A, IC102 A, IC103 A
CHANNEL 2 USES IC101 B, IC102 B, IC103 B
CHANNEL 3 USES IC301 A, IC302 A, IC303 A
CHANNEL 4 USES IC301 B, IC302 B, IC303 B
CHANNEL 5 USES IC501 A, IC502 A, IC503 A
CHANNEL 6 USES IC501 B, IC502 B, IC503 B



REPRESENTS CHANNEL 1 & 2
IC SUPPLY. ADD 200 TO
REFERENCE DESIGNATORS FOR
EACH CONSECUTIVE CHANNEL

TEST POINTS	WAVEFORM	VOLTAGE (rms)	VOLTAGE (DC)
1		25mV	—
2		37mV	—
3		1.8V	—
4		1.85	—

CONDITIONS:
CHANNELS: LOW, MID, HIGH @ "5". EVERYTHING ELSE @ "10"
MASTER: MAIN & MONITOR E.Q. SET FLAT. REV/EFF BALANCE
SINE WAVE INPUT @ 1KHz.

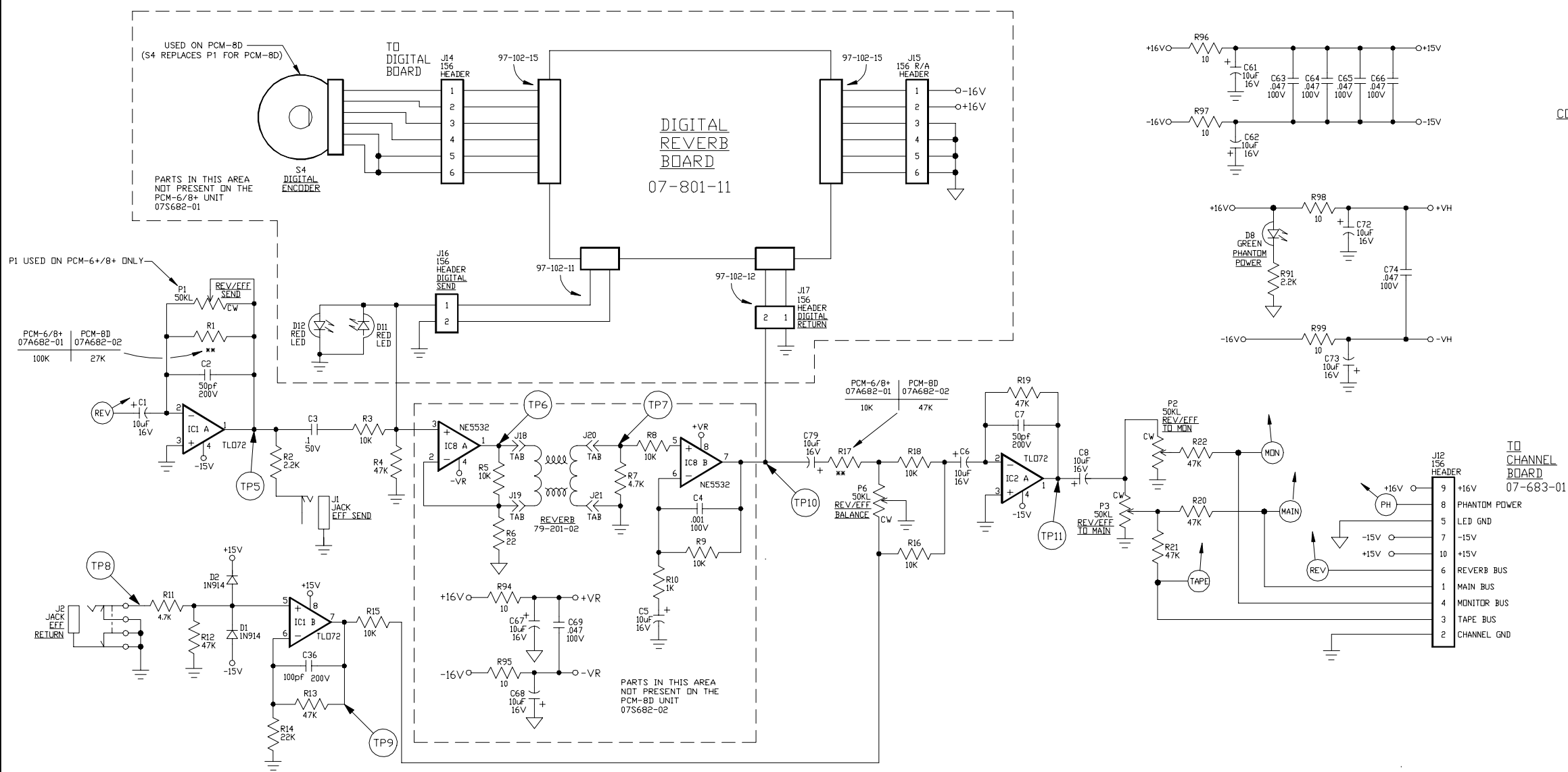
TEST POINTS	WAVEFORM	VOLTAGE (rms)	VOLTAGE (DC)
5		.9V	—
6		5.64V	—
7		25mV	—
8		25mV	—
9		75mV	—
10		.27V	—
* 11		.7V	—
12		25mV	—
13		60mV	—
14		1.41V	—
15		1.33V	—
16		1.33V	—
17		1.3V	—
18		1.37V	—
19		1.37V	—
20		1.31V	—
21		4.5V	—
22		4.5V	—
23	—	—	+16V

CONDITIONS:
CHANNELS: LOW, MID, HIGH @ "5". EVERYTHING ELSE @ "10"
MASTER: MAIN & MONITOR E.Q. SET FLAT., REV/EFF BALANCE @ "5"
ALL OTHER CONTROLS @ "10".
SINE WAVE INPUT @ 1KHz.

*NOTE: SIGNAL APPLIED TO TEST POINTS 7 & 8 ONLY
ON TEST POINT 11.

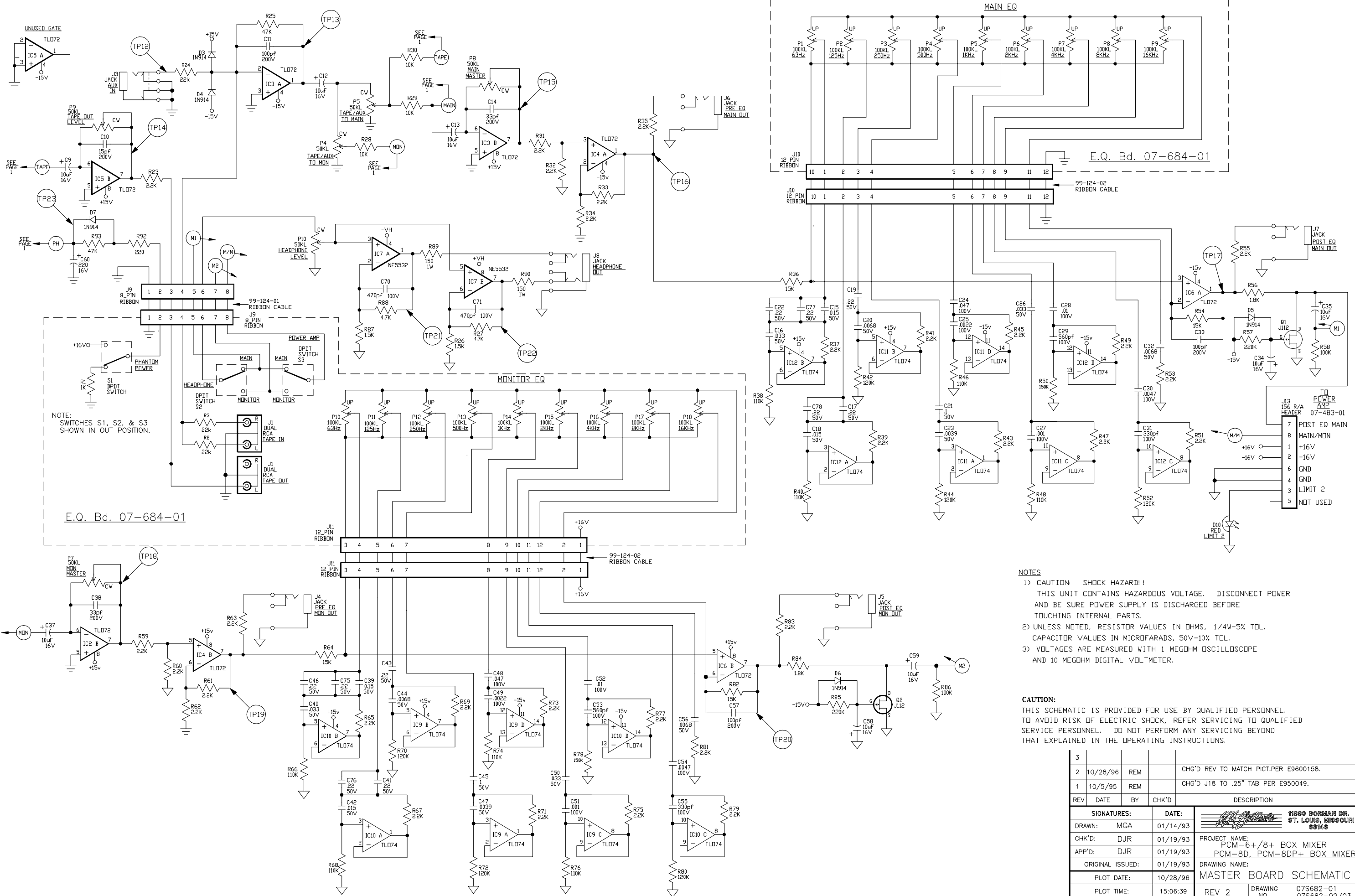
CAUTION:
THIS SCHEMATIC IS PROVIDED FOR USE BY QUALIFIED PERSONNEL.
TO AVOID RISK OF ELECTRIC SHOCK, REFER SERVICING TO QUALIFIED
SERVICE PERSONNEL. DO NOT PERFORM ANY SERVICING BEYOND
THAT EXPLAINED IN THE OPERATING INSTRUCTIONS.

- NOTES
- 1) CAUTION: SHOCK HAZARD!
THIS UNIT CONTAINS HAZARDOUS VOLTAGE. DISCONNECT POWER
AND BE SURE POWER SUPPLY IS DISCHARGED BEFORE
TOUCHING INTERNAL PARTS.
 - 2) UNLESS NOTED, RESISTOR VALUES IN OHMS, 1/4W-5% TOL.
CAPACITOR VALUES IN MICROFARADS, 50V-10% TOL.
 - 3) VOLTAGES ARE MEASURED WITH 1 MEGOHM OSCILLOSCOPE
AND 10 MEGOHM DIGITAL VOLTMETER.



REV	DATE	BY	CHK'D	DESCRIPTION
3				
2	10/28/96	REM		CHG'D REV TO MATCH PICT.PER E9600158.
1	10/5/95	REM		CHG'D J18 TO .25" TAB PER E950049.

SIGNATURES:	DATE:	
	01/14/93	11880 BORNAN DR. ST. LOUIS, MISSOURI 63146
CHK'D: DJR	01/19/93	PROJECT NAME: PCM-6+/8+ BOX MIXER
APP'D: DJR	01/19/93	PCM-8D, PCM-8DP+ BOX MIXER
ORIGINAL ISSUED:	01/19/93	DRAWING NAME: MASTER BOARD SCHEMATIC
PLOT DATE:	10/28/96	
PLOT TIME:	15:06:39	REV 2
FILE NAME:	68201h2_	DRAWING NO. 075682-01
		SCALE: NONE
		SHEET: 1 OF 2



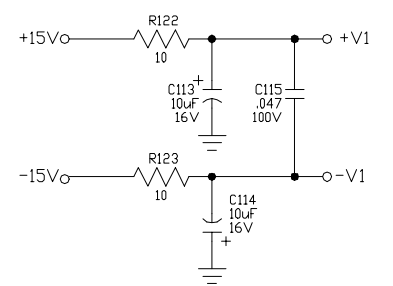
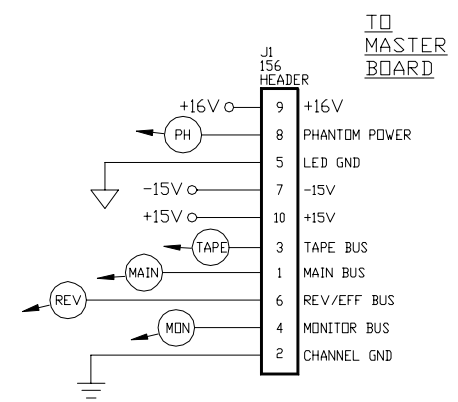
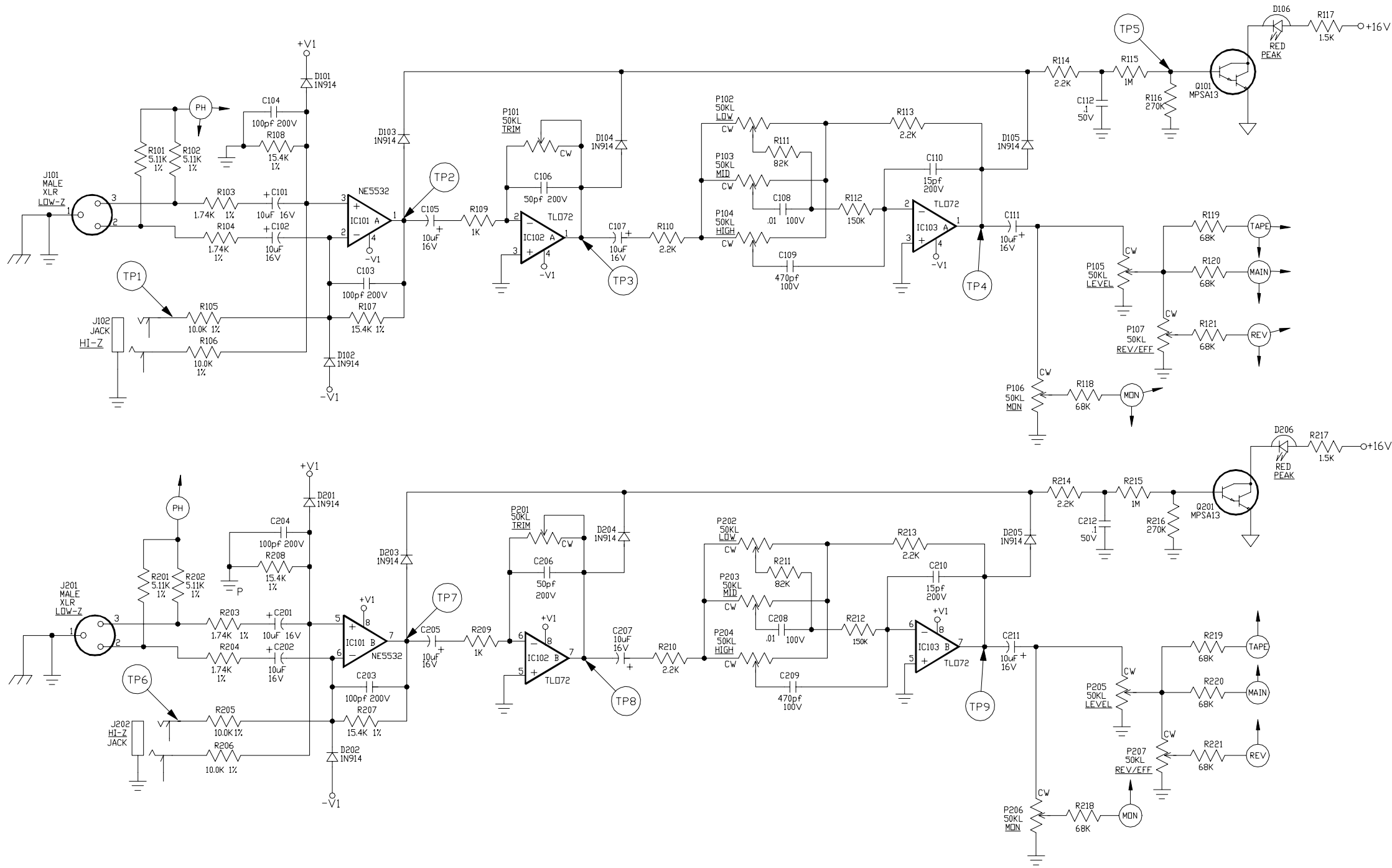
NOTE: SWITCHES S1, S2, & S3 SHOWN IN OUT POSITION.

- NOTES**
- 1) CAUTION: SHOCK HAZARD!! THIS UNIT CONTAINS HAZARDOUS VOLTAGE. DISCONNECT POWER AND BE SURE POWER SUPPLY IS DISCHARGED BEFORE TOUCHING INTERNAL PARTS.
 - 2) UNLESS NOTED, RESISTOR VALUES IN OHMS, 1/4W-5% TOL. CAPACITOR VALUES IN MICROFARADS, 50V-10% TOL.
 - 3) VOLTAGES ARE MEASURED WITH 1 MEGOHM OSCILLOSCOPE AND 10 MEGOHM DIGITAL VOLTMETER.

CAUTION:
THIS SCHEMATIC IS PROVIDED FOR USE BY QUALIFIED PERSONNEL. TO AVOID RISK OF ELECTRIC SHOCK, REFER SERVICING TO QUALIFIED SERVICE PERSONNEL. DO NOT PERFORM ANY SERVICING BEYOND THAT EXPLAINED IN THE OPERATING INSTRUCTIONS.

REV	DATE	BY	CHK'D	DESCRIPTION
3				
2	10/28/96	REM		CHG'D REV TO MATCH PICT.PER E9600158.
1	10/5/95	REM		CHG'D J18 TO .25" TAB PER E950049.

SIGNATURES:	DATE:	 11880 BORNAN DR. ST. LOUIS, MISSOURI 63146
DRAWN: MGA	01/14/93	
CHK'D: DJR	01/19/93	PROJECT NAME: PCM-6+/8+ BOX MIXER PCM-8D, PCM-8DP+ BOX MIXER
APP'D: DJR	01/19/93	
ORIGINAL ISSUED:	01/19/93	DRAWING NAME:
PLOT DATE:	10/28/96	MASTER BOARD SCHEMATIC
PLOT TIME:	15:06:39	REV 2
FILE NAME:	68201h2_	DRAWING NO. 075682-01
		SCALE: NONE
		SHEET: 2 OF 2



CONDITIONS:
 LOW, MID, HIGH @ "5"
 TRIM, LEVEL, MONITOR, REV/EFF @ "10"
 INPUT 1KHZ SINE WAVE 50mVrms

TEST POINTS	WAVEFORM	VOLTAGE (rms)	VOLTAGE (DC)
1		50mV	---
2		75mV	---
3		3.7V	---
4		3.8V	---
5	---	---	0.84V
6		50mV	---
7		75mV	---
8		3.7V	---
9		3.8V	---

- NOTES
- 1) CAUTION: SHOCK HAZARD!! THIS UNIT CONTAINS HAZARDOUS VOLTAGE. DISCONNECT POWER AND BE SURE POWER SUPPLY IS DISCHARGED BEFORE TOUCHING INTERNAL PARTS.
 - 2) UNLESS NOTED, RESISTOR VALUES IN OHMS, 1/4W-5% TOL. CAPACITOR VALUES IN MICROFARADS, 50V-10% TOL.
 - 3) VOLTAGES ARE MEASURED WITH 1 MEGOHM OSCILLOSCOPE AND 10 MEGOHM DIGITAL VOLTMETER.
 - 4) PREAMP GROUND \neq LED GROUND ∇

CAUTION:
 THIS SCHEMATIC IS PROVIDED FOR USE BY QUALIFIED PERSONNEL. TO AVOID RISK OF ELECTRIC SHOCK, REFER SERVICING TO QUALIFIED SERVICE PERSONNEL. DO NOT PERFORM ANY SERVICING BEYOND THAT EXPLAINED IN THE OPERATING INSTRUCTIONS.

3				
2				
1	10/28/96	REM		CHG'D REV TO MATCH PICT. PER E960158.
REV	DATE	BY	CHK'D	DESCRIPTION
SIGNATURES:		DATE:		 11860 BORMAN DR. ST. LOUIS, MISSOURI 63148
DRAWN: MGA		01/12/93		
CHK'D: RC		01/13/93		
APP'D: RC		01/13/93		
ORIGINAL ISSUED:		01/13/93		
PLOT DATE: 10/28/96				PROJECT NAME: PCM-8+ BOX MIXER
PLOT TIME: 15:33:02				DRAWING NAME: CHANNEL BRD SCHEMATIC
FILE NAME: 68301h1				REV 1 DRAWING NO. 07S683-01
				SCALE: NONE SHEET: 1 OF 1