



Service Manual

Created: 14 March 2015



ULTRABASS BXL1800A

180-Watt 2-Channel Bass Amplifier with Original BUGERA 12" Aluminum-Cone Speaker, FBQ Spectrum Analyzer, Compressor and Ultrabass Processor

Specifications	2
PCB Schematic	3
Parts List	7
Exploded Drawing	19

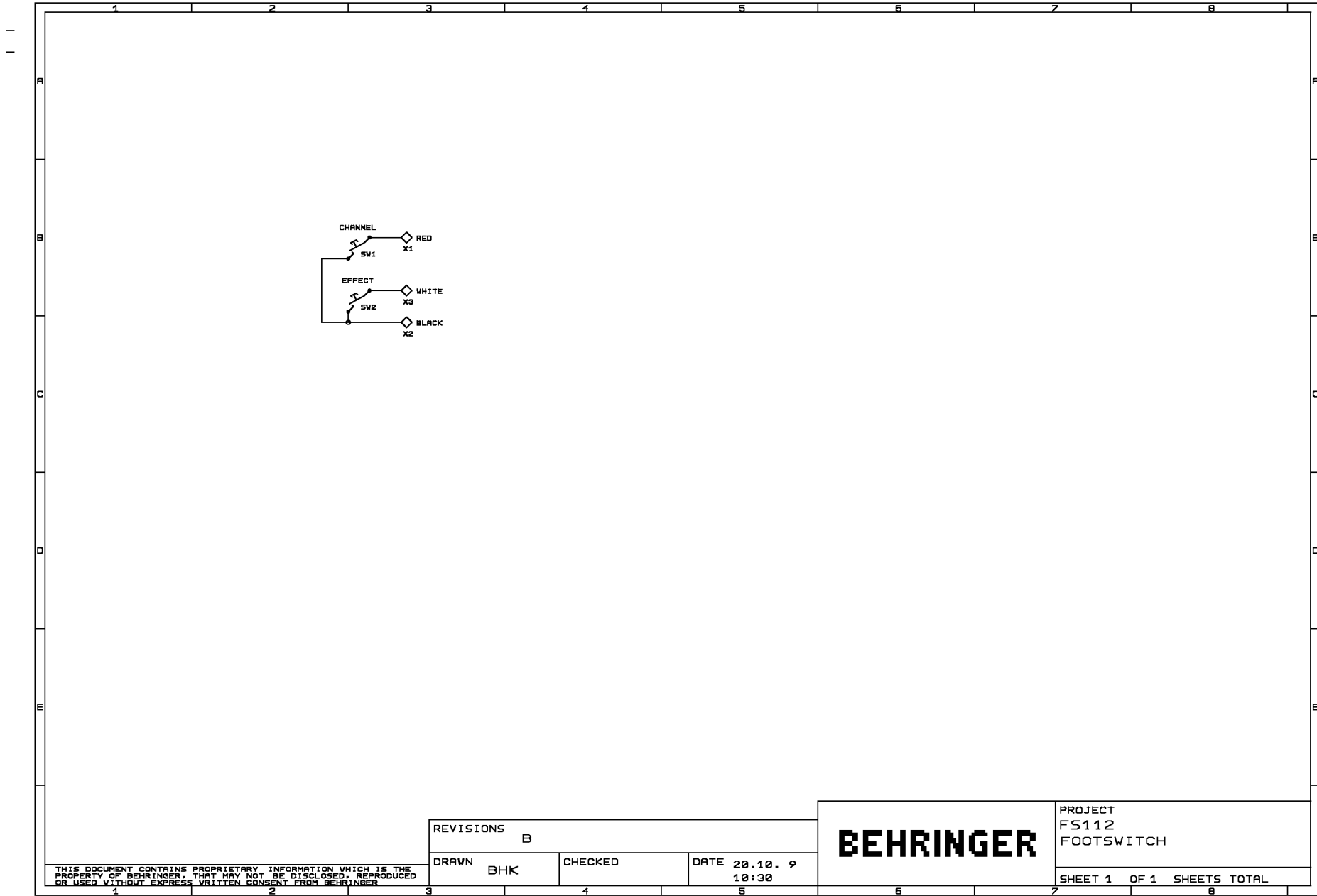
behringer.com



ULTRABASS BXL1800A

Specifications

- Powerful 180-Watt 2-channel bass amplifier with wedge-shaped cabinet
- Original BUGERA 12" Hard Attack aluminum-cone speaker
- Clean channel with dedicated Gain control
- Distortion channel with dedicated Gain, Shape and Level controls
- Ultra-musical, active 7-band graphic EQ with FBQ Spectrum Analyzer
- Revolutionary "see what you play" FBQ frequency indicator for instant sound shaping
- Switchable Ultrabass subharmonics processor for unbelievable low-end power
- Integrated Compressor smoothes out volume peaks when playing dynamic slaps
- Musical opto-limiter for ultimate volume without distortion
- Dual footswitch for channel select and Ultrabass function included
- Separate Headphone output—perfect for quiet practicing
- Balanced XLR DI and Line outputs for direct connection to your mixing console
- CD input allows you to play along to your favorite music
- Dedicated FX Insert for external effects devices (stomp boxes, rack effects, etc.)
- High-quality components and exceptionally rugged construction ensure long life
- Conceived and designed by BEHRINGER Germany

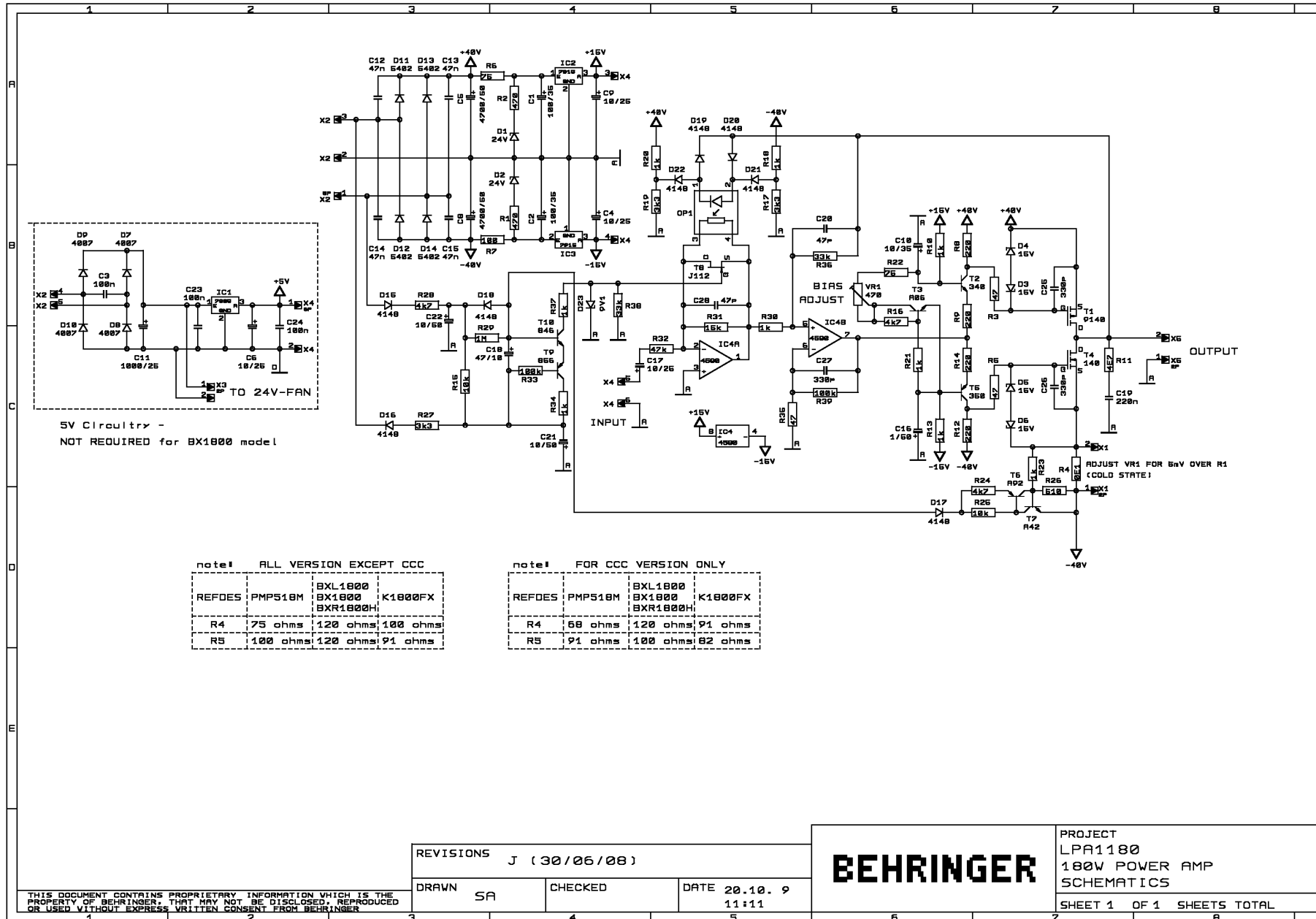


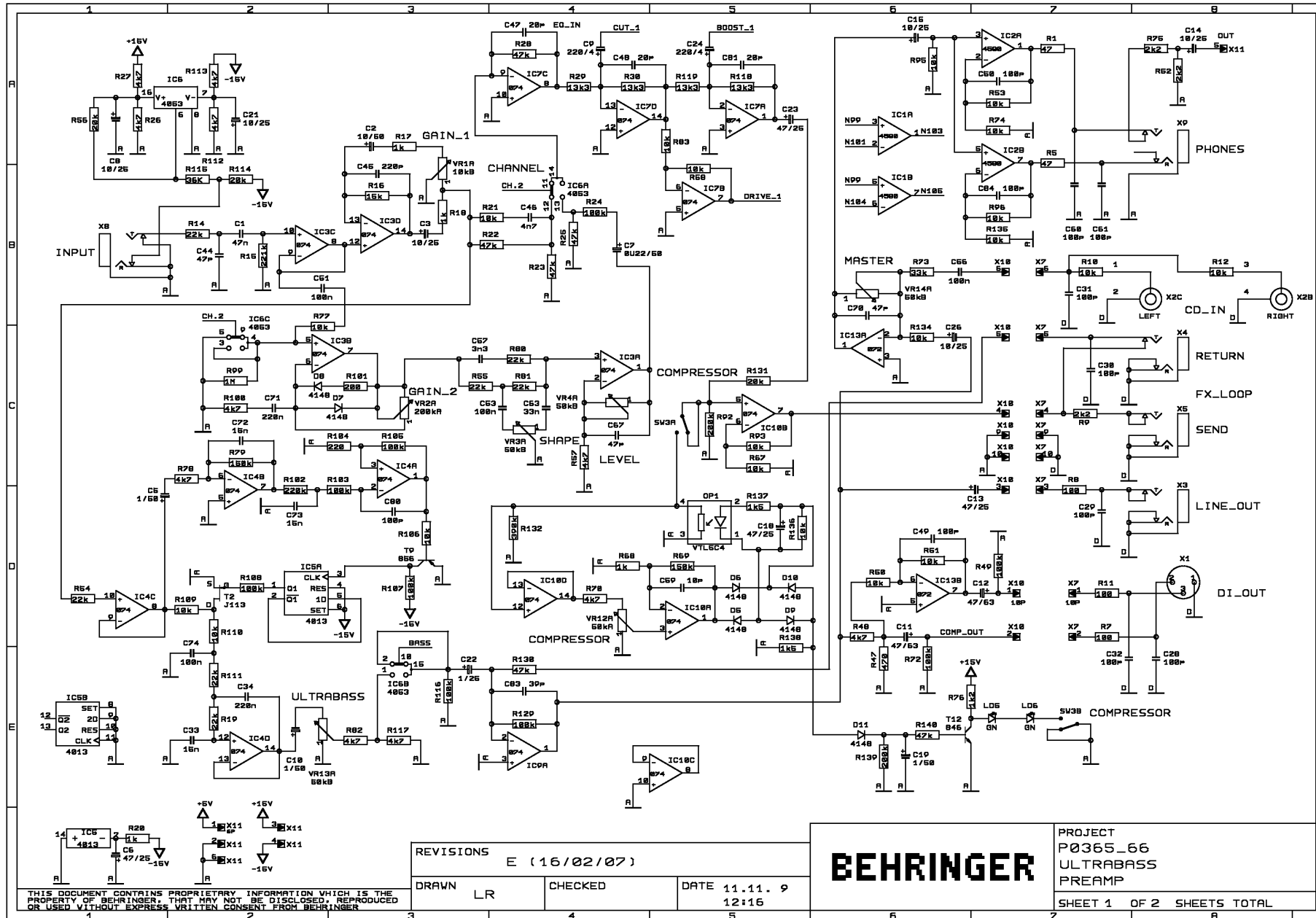
REVISIONS		
B		
DRAWN	BHK	CHECKED
		DATE 20.10.9
		10:30

BEHRINGER

PROJECT	FS112
FOOTSWITCH	
SHEET 1 OF 1 SHEETS TOTAL	

THIS DOCUMENT CONTAINS PROPRIETARY INFORMATION WHICH IS THE PROPERTY OF BEHRINGER. THAT MAY NOT BE DISCLOSED, REPRODUCED OR USED WITHOUT EXPRESS WRITTEN CONSENT FROM BEHRINGER.



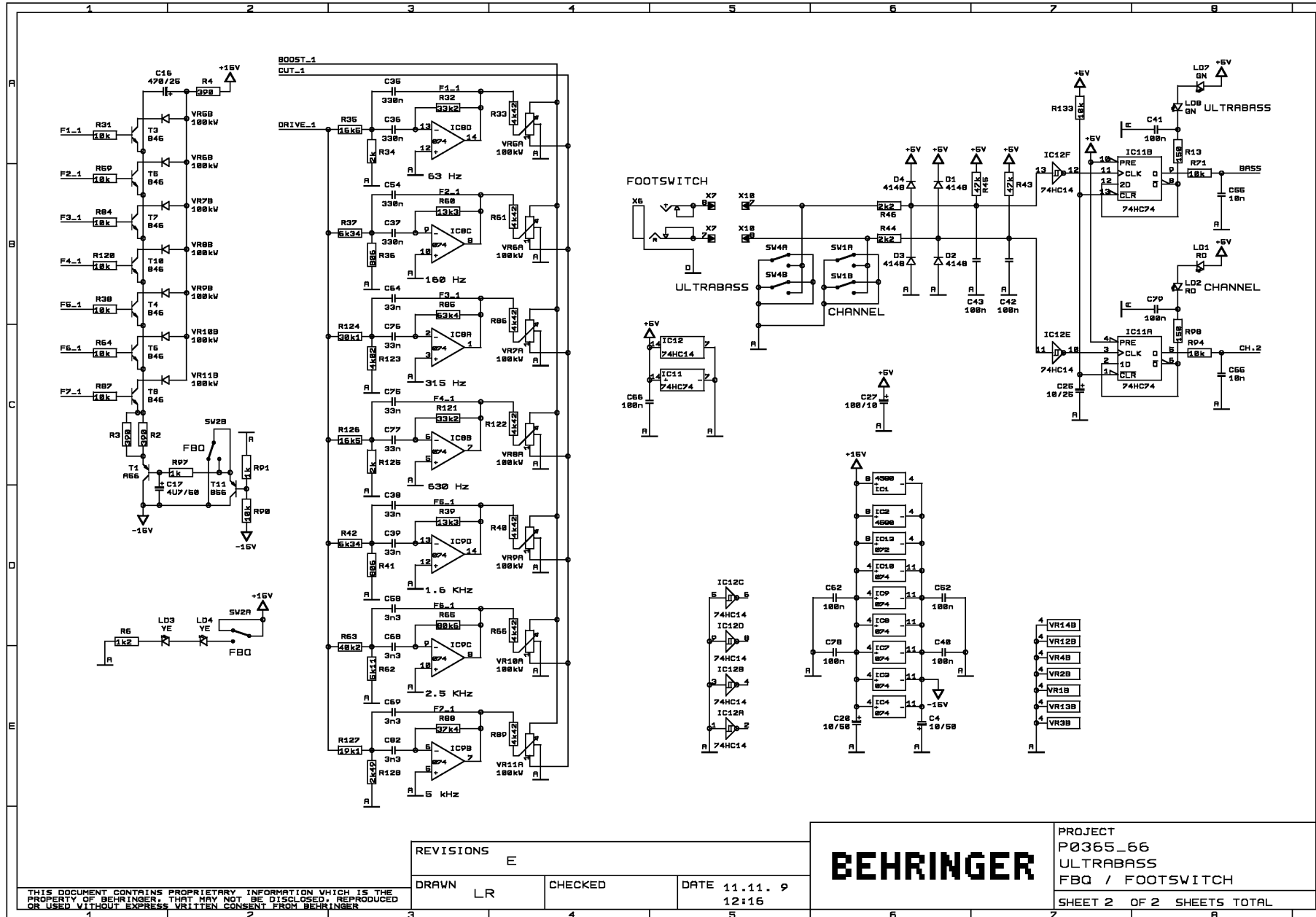


REVISIONS		
E (16/02/07)		
DRAWN	CHECKED	DATE
LR		11.11. 9
		12:15

BEHRINGER

PROJECT
P0365_66
ULTRABASS
PREAMP
SHEET 1 OF 2 SHEETS TOTAL

THIS DOCUMENT CONTAINS PROPRIETARY INFORMATION WHICH IS THE PROPERTY OF BEHRINGER. THAT MAY NOT BE DISCLOSED, REPRODUCED OR USED WITHOUT EXPRESS WRITTEN CONSENT FROM BEHRINGER.



REVISIONS		
E		
DRAWN	CHECKED	DATE
LR		11.11. 9
		12:15

BEHRINGER

PROJECT
P0365_66
ULTRABASS
FBQ / FOOTSWITCH
SHEET 2 OF 2 SHEETS TOTAL

THIS DOCUMENT CONTAINS PROPRIETARY INFORMATION WHICH IS THE PROPERTY OF BEHRINGER. THAT MAY NOT BE DISCLOSED, REPRODUCED OR USED WITHOUT EXPRESS WRITTEN CONSENT FROM BEHRINGER.

Hi Pcb Assemblies

	Quantity	Unit	S.Sku	M.Sku	Description	Reference Designators	Notes
1	1.0000	PC		A05-00000-05730	PCB ASSEMBLY;LPA1180;REV:J;HAND INSERT;NO:926020		
2	1.0000	PC		A05-36500-05738	PCB ASSEMBLY;LPA1180;BXL1800;REV:J;HAND INSERT;NO:926020		
3	1.0000	PC	Q05-36501-04147	A05-36501-04147	PCB ASSEMBLY;BXL1800;PCB:01;FRONT;REV:E;HAND INSERT;NO:902030		
4	1.0000	PC		A05-36502-04161	PCB ASSEMBLY;BXL1800;PCB:02;REAR;REV:E;HAND INSERT;NO:903030		

Cable

	Quantity	Unit	S.Sku	M.Sku	Description	Reference Designators	Notes
1	0.2720	M		A74-00000-00710	WIRE;RAW FLAT CABLE;UL2651;AWG:28;POLES:10;GRAY;PIN1:RED;PITCH:1mm27		
2	0.0000	PC		A74-00050-26710	CABLE;FLAT;P2mm54;LENGTH:260mm;AWG:28;FC3;+10/-0mm;POLES:10		
3	1.0000	PC		A74-90050-26710	CABLE;FLAT;P2mm54;LENGTH:260mm;ZEE;AWG:28;FC3;+10/-0mm;ZEE;POLES:10	[BXL1800:02: {1.0}{(X7)}]	
4	1.0000	PC		A81-68030-66502	WIRE HARNESS;LENGTH:680mm;AWG:26;P:2mm;SHS;POLES:6;SHIELD ON PIN6;COLORED		
5	1.0000	PC		A88-00000-82574	CABLE;SPEAKER;350 MM;AWG:18;UL1015;3.96 MM;2;RED;JS1121-2P;5.2mm AMP; LOCK TYPE		
6	1.0000	PC	Q89-50031-04316	A89-50031-04316	FOOTSWITCH CABLE;F5112;LENGTH:5000mm;POLES:3;COLOR:BLK;SPEC.NO:04316		
7	1.0000	PC	Q76-15212-03119	A76-15212-03119	CABLE;AC-CORD;W/POLYBAG;LENGTH:152cm;H05VV-F 3G 0.75MM2;VERSION;EU;SPEC.NO:03119		(EU)
8	1.0000	PC	Q76-00000-13573	A76-00000-13573	CABLE;AC-CORD;3;AR;1500 MM;Plug + Connector:321+730;H05VV-F 3G0.75		(AR)
9	1.0000	PC	Q76-15042-05624	A76-15042-05624	CABLE;AC-CORD;W/POLYBAG;LENGTH:150cm;H05VV-F3G0.75MM2;VERSION;UK;SPEC.NO:05624		(UK)
10	1.0000	PC		A76-18050-06505	CABLE;AC-CORD;LENGTH:180cm;VERSION:SAA;PLUG:HE105 ISOLATED;SAA H05VV-F 3x0.75mm2;CONN.HP-3;PANYU		(SAA)
11	1.0000	PC	Q76-00000-05305	A76-00000-05305	CABLE;AC-CORD;3;BR;1500 MM;Plug + Connector:375+730;H05VV-F 3G0.75		(BR)
12	1.0000	PC	Q76-18050-47490	A76-18050-47490	CABLE;AC-CORD;LENGTH:180cm;VERSION:SAA;PLUG:HE105 ISOLATED;SAA H05VV-F 3x0.75mm2;CONN.HP-3;SPEC.NO:47490		(SAA)
13	1.0000	PC	Q76-15222-06417	A76-15222-06417	CABLE;AC-CORD;W/POLYBAG;LENGTH:152cm;AWG:18;VERSION;UL;SPEC.NO:06417		(UL)
14	1.0000	PC	Q76-15032-55649	A76-15032-55649	CABLE;AC-CORD;CLASS II;W/POLYBAG;JAPAN;LENGTH:150cm;POLES:3;APPROVAL:PSE;JS155 3 + VCTF 3x0.75mm2 + V1528		(JP, HM, SH)

Capacitor

	Quantity	Unit	S.Sku	M.Sku	Description	Reference Designators	Notes
1	2.0000	PC			CAP E;4.7 mF;50 V;20 %;22X35;10 MM;SNAP-IN	[LPA1180:00: {2.0}(C5,C8)]	*NOT available in DP
2	2.0000	PC			CAP E;220uF;4V;PITCH:2mm5;5mm x 11mm;VERTICAL 12.7-15-9mm	[P0365:01: {2.0}(C9,C24)]	*NOT available in DP
3	1.0000	PC			CAP E;47uF;10V;PITCH:2mm5;5mm x 11mm;VERTICAL 12.7-15-9mm	[LPA1180:00: {1.0}(C18)]	*NOT available in DP
4	1.0000	PC			CAP E;100uF;10V;PITCH:2mm5;5mm x 11mm;VERTICAL 12.7-15-9mm	[P0365:01: {1.0}(C27)]	*NOT available in DP
5	1.0000	PC			CAP E;1uF;25V;PITCH:2mm5;5mm x 11mm;VERTICAL 12.7-15-9mm	[P0365:01: {1.0}(C22)]	*NOT available in DP
6	8.0000	PC			CAP E;10uF;25V;PITCH:2mm5;5mm x 11mm;VERTICAL 12.7-15-9mm	[P0365:01: {7.0}(C3,C8,C14-C15,C21,C25-C26)]	*NOT available in DP
7	4.0000	PC			CAP E;47uF;25V;PITCH:2mm5;5mm x 11mm;VERTICAL 12.7-15-9mm	[P0365:01: {4.0}(C6,C13,C18,C23)]	*NOT available in DP
8	1.0000	PC			CAP E;470uF;25V;PITCH:5mm;10mm x 16mm;VERTICAL 12.7-15-9mm	[P0365:01: {1.0}(C16)]	*NOT available in DP
9	1.0000	PC			CAP E;1mF;25V;PITCH:5mm;10mm x 20mm;VERTICAL 12.7-15-9mm	[LPA1180:00: {1.0}(C11)]	*NOT available in DP
10	1.0000	PC			CAP E;10uF;35V;PITCH:2mm5;5mm x 11mm;VERTICAL 12.7-15-9mm	[LPA1180:00: {1.0}(C10)]	*NOT available in DP
11	1.0000	PC			CAP E;220nF;50V;PITCH:2mm5;5mm x 11mm;VERTICAL 12.7-15-9mm	[P0365:01: {1.0}(C7)]	*NOT available in DP
12	4.0000	PC			CAP E;1uF;50V;PITCH:2mm5;5mm x 11mm;VERTICAL 12.7-15-9mm	[P0365:01: {3.0}(C5,C10,C19)]	*NOT available in DP
13	1.0000	PC			CAP E;4uF;35V;PITCH:2mm5;5mm x 11mm;VERTICAL 12.7-15-9mm	[BXL1800:01: {1.0}(C17)]	*NOT available in DP
14	5.0000	PC			CAP E;10uF;50V;PITCH:2mm5;5mm x 11mm;VERTICAL 12.7-15-9mm	[P0365:01: {3.0}(C2,C4,C20)]	*NOT available in DP
15	2.0000	PC			CAP E;47uF;63V;PITCH:3mm5;8mm x 14mm;PRE CUT:3mm2 - 0/+0mm2	[BXL1800:01: {2.0}(C11-C12)]	*NOT available in DP
16	1.0000	PC			CAP CER;47pF;50V;10%;PITCH:5mm;DISC;VERTICAL 12.7-15-9mm	[LPA1180:00: {1.0}(C20)]	*NOT available in DP
17	1.0000	PC			CAP CER;100nF;50V;20%;PITCH:5mm;DISC;VERTICAL 12.7-15-9mm	[LPA1180:00: {1.0}(C3)]	*NOT available in DP
18	1.0000	PC			CAP CER;10pF;50V;10%;SMT603	[BXL1800:01: {1.0}(C59)]	*NOT available in DP
19	3.0000	PC			CAP CER;20pF;50V;20%;SMT603	[BXL1800:01: {3.0}(C47-C48,C81)]	*NOT available in DP
20	1.0000	PC			CAP CER;39pF;50V;5%;COG(NPO);SMT603	[BXL1800:01: {1.0}(C83)]	*NOT available in DP
21	3.0000	PC			CAP CER;47pF;50V;5%;COG(NPO);SMT603	[BXL1800:01: {3.0}(C44,C67,C70)]	*NOT available in DP
22	11.0000	PC			CAP CER;100pF;50V;20%;SMT603	[BXL1800:01: {6.0}(C49-C50,C60-C61,C80,C84)]	*NOT available in DP
23	1.0000	PC			CAP CER;220pF;50V;10%;SMT603	[BXL1800:01: {1.0}(C45)]	*NOT available in DP
24	5.0000	PC			CAP CER;3nF3;50V;10%;SMT603	[BXL1800:01: {5.0}(C57-C58,C68-C69,C82)]	*NOT available in DP
25	1.0000	PC			CAP CER;47pF;50V;COG;5%;SMD805	[LPA1180:00: {1.0}(C28)]	*NOT available in DP
26	3.0000	PC			CAP CER;330pF;50V;10%;SMT805	[LPA1180:00: {3.0}(C25-C27)]	*NOT available in DP
27	2.0000	PC			CAP CER;10nF;50V;10%;SMT805	[BXL1800:01: {2.0}(C55,C65)]	*NOT available in DP
28	3.0000	PC			CAP CER;15nF;50V;10%;SMT805	[BXL1800:01: {3.0}(C33,C72-C73)]	*NOT available in DP
29	7.0000	PC			CAP CER;33nF;50V;10%;SMT805	[BXL1800:01: {7.0}(C38-C39,C63-C64,C75-C77)]	*NOT available in DP
30	15.0000	PC			CAP CER;100nF;50V;X7R;10%;SMT805	[BXL1800:01: {13.0}(C40-C43,C51-C53,C56,C62,C66,C74,C78-C79)]	*NOT available in DP
31	2.0000	PC			CAP CER;220nF;50V;10%;SMT805	[BXL1800:01: {2.0}(C34,C71)]	*NOT available in DP
32	4.0000	PC			CAP CER;330nF;50V;10%;SMT805	[BXL1800:01: {4.0}(C35-C37,C54)]	*NOT available in DP
33	1.0000	PC			CAP MYL;47nF;50V;10%;PITCH:5mm5;DIPPED;PRE CUT:3mm1 +/- 0mm5	[BXL1800:01: {1.0}(C1)]	*NOT available in DP
34	1.0000	PC			CAP FILM;220nF;63V;MPF;10%;PITCH:5mm;BOX;VERTICAL 12.7-15-9mm	[LPA1180:00: {1.0}(C19)]	*NOT available in DP
35	4.0000	PC			CAP FILM;47nF;100V;MPF;10%;PITCH:5mm;BOX;PRE CUT:3mm1 +/- 0mm5	[LPA1180:00: {4.0}(C12-C15)]	*NOT available in DP
36	3.0000	PC			CAP E;10uF;25V;PITCH:2mm5;5mm x 11mm;105C;VERTICAL 12.7-15-9mm	[LPA1180:00: {3.0}(C4,C6,C9)]	*NOT available in DP
37	2.0000	PC			CAP E;100uF;35V;PITCH:3mm5;8mm x 12mm;PRE CUT:3mm2 - 0/+0mm2;105C	[LPA1180:00: {2.0}(C1-C2)]	*NOT available in DP

Circuit Protector

	Quantity	Unit	S.Sku	M.Sku	Description	Reference Designators	Notes
1	1.0000	PC		B22-02512-50001	FUSE;500mA;250V;SLOW BLOW;L-TYPE;5mm x 20mm		(EU, UL, JP, UK, SAA, BR, AR, HM, SH)
2	1.0000	PC		B22-02512-50001	FUSE;500mA;250V;SLOW BLOW;L-TYPE;5mm x 20mm		
3	1.0000	PC	R22-01513-31501	B22-01513-31501	FUSE;3A15;250V;SLOW BLOW;H-TYPE;5mm x 20mm		(EU, UK, SAA, AR)
4	1.0000	PC	R22-01513-31501	B22-01513-31501	FUSE;3A15;250V;SLOW BLOW;H-TYPE;5mm x 20mm		
5	1.0000	PC	R22-01516-30001	B22-01516-30001	FUSE;6A3;250V;SLOW BLOW;H-TYPE;5mm x 20mm		(UL, JP, BR, HM, SH)

Connector

	Quantity	Unit	S.Sku	M.Sku	Description	Reference Designators	Notes
1	2.0000	PC	R84-00000-01620	B84-00000-01620	AMP TERMINAL;BRASS W TIN;7205A-B5-2		
2	2.0000	PC	R84-22000-06018	B84-22000-06018	CRIMP TERMINAL;PITCH:3mm96;AWG18-22;A3963TOP-2		
3	12.0000	PC	R84-25016-06014	B84-25016-06014	CRIMP TERMINAL;PITCH:2mm0;AWG24-30;A2008TOP-2		
4	2.0000	PC	R84-30000-06293	B84-30000-06293	JACKET;FOR 205 TERMINAL.;DIA:4mm		
5	1.0000	PC	R84-30046-39242	B84-30046-39242	CONNECTOR;AMP CONN TERMINAL;MATERIAL:PAPER FIBRE;QUADRUPLE;(BWF38703003-TERMINAL-REVA.DWG)		
6	3.0000	PC		B84-42050-00155	CRIMP CONNECTOR;LUG;INNER DIA:4mm3;AWG 14-18;WIRE MOUNT;STRAIGHT		
7	1.0000	PC	R95-01320-03303	B95-01320-03303	CONNECTOR;XLR;SOCKET;MALE;STRAIGHT;POLES:3	[BXL1800:02: {1.0}{X1}]	
8	1.0000	PC	R84-39000-33065	B84-39000-33065	CONNECTOR;AWG 14-16;CLOSED ENDED;W/ NYLON66 COVER;APPROVALS:UL-CSA		(EU, UL, UK, SAA, BR, AR)
9	1.0000	PC	R84-39000-33065	B84-39000-33065	CONNECTOR;AWG 14-16;CLOSED ENDED;W/ NYLON66 COVER;APPROVALS:UL-CSA		

Diode

	Quantity	Unit	S.Sku	M.Sku	Description	Reference Designators	Notes
1	4.0000	PC			DIODE;1N4007;DO41	[LPA1180:00: {4.0}{D7-D10}]	*NOT available in DP
2	4.0000	PC			DIODE;1N5402;DO201AD;TEMIC OR FC	[LPA1180:00: {4.0}{D11-D14}]	*NOT available in DP
3	19.0000	PC			DIODE;LL4148;LL34;TEMIC OR FC	[BXL1800:01: {11.0}{D1-D11}]	*NOT available in DP
4	4.0000	PC			DIODE;ZD15V0;BZX85C15;DO41	[LPA1180:00: {4.0}{D3-D6}]	*NOT available in DP
5	1.0000	PC			DIODE;ZMM09V1;SMD1206	[LPA1180:00: {1.0}{D23}]	*NOT available in DP
6	2.0000	PC			DIODE;ZENER;24V;5W;1N5359B;CASE 17	[LPA1180:00: {2.0}{D1-D2}]	*NOT available in DP

Hardware

	Quantity	Unit	S.Sku	M.Sku	Description	Reference Designators	Notes
1	180.0000	PC			NAIL,CROWN:2mm2;WIDTH:1mm27;THICKNESS:1mm0;LENGTH:25mm;18-GAUGE (0.49*0.40) FINISH;GALVANIZED		*NOT available in DP
2	4.0000	PC			CABLE TIE;NYLON;4in;COLOR:		*NOT available in DP
3	0.6000	G			THERM-GREASE;COLOR:WHT;SPEC.NO:09286		*NOT available in DP
4	0.7000	G			SCREWLOCK;SPEC.NO:01090		*NOT available in DP
5	6.0000	PC			HEX. NUT;INNER DIA;M4mm;SURFACE:ZINC		*NOT available in DP
6	18.0000	PC			T-NUT;INNER DIA;M5mm;W/PRONG;SURFACE:ZINC/BLACK		*NOT available in DP
7	4.0000	PC			HEX. NUT;FOR JACK;M3/8in;HEXWRENCH:11mm;THICKNESS:2mm4;SURFACE:NICKEL/SILVER		*NOT available in DP
8	2.0000	PC			OCT. NUT;FOR JACK;3/8in;OCTWRENCH:14.5mm;THICKNESS:3.5mm;SURFACE:NICKEL/SILVER		*NOT available in DP
9	2.0000	PC		F87-01000-12070	PAD;RUBBER;6mm*2mm5;COLOR:BLK;DWG.NO:12070;(R14-GUITAR-RUBBERPAD-REVB.DWG)		
10	5.0000	PC			SCREW;M3mm*5mm;HEAD:PAN;INSERT:PHILIPS REC.;SURFACE:SILVER ZINC		*NOT available in DP
11	2.0000	PC			SCREW;M3mm*5mm;HEAD:PAN;INSERT:PHILIPS REC.;SURFACE:BLACK/ZINC		*NOT available in DP
12	2.0000	PC			SCREW;M3mm*6mm;HEAD:PAN;INSERT:PHILLIPS REC.;SURFACE:BLACK/ZINC		*NOT available in DP
13	6.0000	PC			SCREW;M3mm*6mm;PITCH:0mm5;HEAD:FLAT;INSERT:PHILIPS REC.;SURFACE:BLACK/ZINC		*NOT available in DP
14	4.0000	PC			SCREW;BT3mm*8mm;HEAD:PAN;INSERT:PHILIPS REC.;SURFACE:ZINC		*NOT available in DP
15	3.0000	PC			SCREW;BT3mm*8mm;HEAD:PAN;INSERT:PHILLIPS REC.;SURFACE:BLACK/ZINC		*NOT available in DP
16	4.0000	PC			SCREW;M03mm*08mm;HEAD:PAN SPRING WASHER;INSERT:PHILIPS REC.;SURFACE:SILVER/ZINC		*NOT available in DP
17	2.0000	PC			SCREW;M3mm*10mm;HEAD:PAN;INSERT:PHILIPS REC.;SURFACE:BLACK/ZINC		*NOT available in DP
18	10.0000	PC			SCREW;M4mm*10mm;HEAD:BINDING;INSERT:PHILIPS REC.;SURFACE:SILVER/ZINC		*NOT available in DP
19	16.0000	PC			SCREW;A4mm*16mm;HEAD:OVAL;INSERT:PHILIPS REC.;SURFACE:BLACK/ZINC		*NOT available in DP
20	6.0000	PC			SCREW;A4mm*19mm;HEAD:PAN WASHER;INSERT:PHILLIPS REC.;SURFACE:BLACK/ZINC		*NOT available in DP
21	10.0000	PC			SCREW;M4mm*30mm;HEAD:OVAL;INSERT:PHILIPS REC.;SURFACE:BLACK/ZINC		*NOT available in DP
22	2.0000	PC			SCREW;M5mm*23mm;HEAD:PAN;INSERT:PHILIPS REC.;SURFACE:BLACK/ZINC		*NOT available in DP
23	8.0000	PC			SCREW;M5mm*25mm;HEAD:PAN;INSERT:PHILIPS REC.;SURFACE:BLACK/ZINC		*NOT available in DP
24	8.0000	PC			SCREW;M5mm*25mm;HEAD:PAN 8mm;INSERT:PHILIPS REC.;SURFACE:BLACK/ZINC		*NOT available in DP
25	1.0000	PC		F89-32000-03521	INSULATION SHEET;GLIMMER;35mm x 34mm;HOLE DIA:2(3mm2);HOLE OFFSET:30mm;THICKNESS:0mm15;(P0742-GLIMMER_SHEET-REVA.DWG)		
26	2.0000	PC	V89-32023-00182	F89-32023-00182	INSULATION SHEET;GLIMMER;18mm x 23mm;NO HOLE;THICKNESS:0mm15		
27	1.0000	PC			SILICA GEL;MASS;30g;SPEC.NO:30QB-BB2001-4		*NOT available in DP
28	2.0000	PC			SPRING;CYLINDRICAL;F5112;6mm*14mm8;CARBON STEEL;DWG. NO:04288;(R14-FCB1010-SPRING-REVA.DWG)		*NOT available in DP
29	0.0540	M			SHRINKING TUBE;INNER DIA;1mm;SPEC.NO:43217		*NOT available in DP

	Quantity	Unit	S.Sku	M.Sku	Description	Reference Designators	Notes
30	190.0000	MM			SHRINKING TUBE;INNER DIA;2MM;SPEC NO:15747		*NOT available in DP
31	0.0300	M			SHRINKING TUBE;INNER DIA;3mm;SPEC.NO:01097		*NOT available in DP
32	0.0200	M			SHRINKING TUBE;INNER DIA;4mm;SPEC.NO:01098		*NOT available in DP
33	4.0000	PC			INSULATION TUBE;ID:4mm5 x OD:6mm5 x L15mm;ALUMINIUM OXIDE CERAMIC;THICKNESS:1mm;(LANXIN M060413A)		*NOT available in DP
34	0.1200	M			SHRINKING TUBE;INNER DIA:5mm2;SPEC.NO:16898;		*NOT available in DP
35	0.1340	M			SHRINKING TUBE;INNER DIA;6mm;SPEC.NO:01099		*NOT available in DP
36	2.0000	PC			WASHER;9.7 MM;16 MM;NICKEL;WHITE;WASHER;FLAT;DIM:9.7*16*0.5mm;NIC		*NOT available in DP
37	8.0000	PC			WASHER;PLAIN;INNER DIA:4mm;OUTER DIA:10mm;THICKNESS;1mm;PLATING;NICKEL		*NOT available in DP
38	4.0000	PC			WASHER;PLAIN;INNER DIA:9mm6;OUTER DIA:13mm;THICKNESS;0mm5;PLATING;NICKEL		*NOT available in DP
39	2.0000	PC			WASHER;EXTERNAL TEETH;INNER DIA:3mm;OUTER DIA:6mm;THICKNESS:0mm5		*NOT available in DP
40	8.0000	PC			WASHER;EXTERNAL TEETH;INNER DIA:4mm;OUTER DIA:7mm;THICKNESS;1mm7		*NOT available in DP
41	10.0000	PC			WASHER;DONUT;INNER DIA:5mm5;OUTER DIA:16mm;THICKNESS;2mm6;PLATING;BLACK/ZINC		*NOT available in DP
42	0.1800	G		F97-00100-02478	PAPER,KRAFT;WIDTH:300mm;THICKNESS:0mm05		
43	1.0000	PC		F97-17000-04145	SHEET;FOAM;FOOTSWITCH;FS112;W/ DURABLE ADHESIVE;DWG.NO:04145;(R14-GX112-FOAM-REVA.DWG)		
44	1.0000	PC			BUSHING;CABLE;FS112;NYLON;DWG.NO:04141;(R14-CABLEBUSHING-REVA.DWG)		*NOT available in DP

Ic

	Quantity	Unit	S.Sku	M.Sku	Description	Reference Designators	Notes
1	1.0000	PC		C73-00000-29050	IC;OPAMP;SMD;SOP;8;BA4580RF	[LPA1180:00: {1.0}{IC4}]	
2	6.0000	PC	S73-58007-40514	C73-31007-40514	IC;OPAMP OPAMP;TL074;SOP;	[BXL1800:01: {6.0}{IC3-IC4,IC7-IC10}]	
3	1.0000	PC	S73-58007-22208	C73-58007-22208	IC;OPAMP OPAMP;TL072;SOP;BRAND:ST ONLY	[BXL1800:01: {1.0}{IC13}]	
4	1.0000	PC		C73-59458-00408	IC;OPAMP OPAMP;NJM4580L;SIP	[BXL1800:01: {1.0}{IC2}]	
5	0.0000	PC	S73-59458-00508	C73-59458-00508	IC;OPAMP OPAMP;NJM4580;SOP		
6	1.0000	PC	S77-05107-03010	C77-05107-03010	IC;VOLT.REGULATOR;7805;TO220	[LPA1180:00: {1.0}{IC1}]	
7	1.0000	PC	S77-15107-03110	C77-15107-03110	IC;VOLT.REGULATOR;7815F;FULLPACK;TO220	[LPA1180:00: {1.0}{IC2}]	
8	1.0000	PC	S77-15207-03015	C77-15207-03015	IC;VOLT.REGULATOR;BRAND:ST MICROELECTRONICS;L7915;TO220	[LPA1180:00: {1.0}{IC3}]	
9	1.0000	PC	T22-31001-40514	D22-31001-40514	IC;LOGIC;74HC14;SOP	[BXL1800:01: {1.0}{IC12}]	
10	1.0000	PC	T22-31007-40514	D22-31007-40514	IC;LOGIC;74HC74;SOP	[BXL1800:01: {1.0}{IC11}]	
11	1.0000	PC	T30-06405-30516	D30-06405-30516	IC;SWITCH/MUXPLEX;CD4053-SB1;SOP;MOT/THOMSON ONLY;SOP	[BXL1800:01: {1.0}{IC6}]	
12	1.0000	PC		D30-82403-00514	IC;SWITCH/MUXPLEX;CD4013;SOP	[BXL1800:01: {1.0}{IC5}]	

Led

	Quantity	Unit	S.Sku	M.Sku	Description	Reference Designators	Notes
1	4.0000	PC	U10-53565-00588	E10-53565-00588	LED HIB;3mm ROUND;GREEN	[BXL1800:01: {4.0}{LD5-LD8}]	
2	2.0000	PC		E10-57630-05113	LED HIB;3mm ROUND;RED		
3	2.0000	PC	U10-59585-00592	E10-59585-00592	LED HIB;3mm ROUND;YELLOW	[BXL1800:01: {2.0}{LD3-LD4}]	
4	2.0000	PC	U12-57630-00590	E12-57630-00590	LED;3mm ROUND;RD	[BXL1800:01: {2.0}{LD1-LD2}]	

Metal Part

	Quantity	Unit	S.Sku	M.Sku	Description	Reference Designators	Notes
1	1.0000	PC		A62-00000-86290	METAL;POB29;STEEL 1.0mm;BLUE;FRAME;FR308S02D		
2	1.0000	PC		A62-00500-05891	METAL;AMP-CABINET;BXL1800A;DST.NO:005;DPT.NO:05891;(BXL1800A-P_AMP-CABINET-REVE.DWG)		
3	1.0000	PC		A62-09400-25947	METAL;BOTTOM;FS112B;CHAMPAGNE;DWG.NO:25947;(R14-GX-FOOTBOTTOM-REVC.DWG)		
4	1.0000	PC		A63-00300-05130	METAL;HEATSINK;P0366;ALU;EXTRUSION;DST.NO:003;DPT.NO:0513;(BXL1800A-HEAT_SINK-REVC.DWG)		
5	1.0000	PC		A65-00000-50016	METAL;P0366;SECC 1.2mm;GRILL;STAMPING;POWDER COATING;BLACK;SPEAKER GRILL;REV:B		
6	1.0000	PC		A65-00100-02724	METAL;CABINET GRILL;BXL1800A;DST.NO:001;DPT.NO:02724;(BXL1800A-CABGRILL-REVA.DWG)		
7	1.3200	G		A65-00100-03042	METAL;FOIL;KAPTON;WIDTH:40 mm;THICKNESS:0.125 mm		
8	1.0000	PC		A65-00100-03723	METAL;T YOKE;130*8H-48.8*28H;DST.NO:001;DPT.NO:03723;(LS-TY130S02A-REVA.DWG)		
9	1.0000	PC		A65-00100-08539	METAL;TOP PLATE;TP130S02N;F130XF51.8X8 F105X6-M5;PLATING WEIGHT:749G;DST.NO:001;DPT.NO:08539;(LS-TP130S02N-REVA.DWG)		
10	1.0000	PC		A65-00100-08540	METAL;TOP PLATE;ROUGHCAST;TPR130S01F;DST.NO:001;DPT.NO:08540;(LS-LS-TPR130S01F-REVA.DWG)		
11	1.0000	PC		A65-00100-12316	METAL;TOP PLATE DISCUS;TPD130S01A;DIA:130xDIA:50.3x8 DIA:90x6-DIA:5;DST.NO:001;DPT.NO:12316;(LS-TPD130S01A[R]-REVA.DWG)		
12	1.0000	PC	Q65-00200-01677	A65-00200-01677	METAL;BELT;GX-SERIES;DST.NO:002;DPT.NO:01677;(R14-MET-BELT-REVB.DWG)		
13	1.0000	PC	Q65-00200-01693	A65-00200-01693	METAL;MESH;WOOFER;B300;DST.NO:002;DPT.NO:01693;(BWF38703 003-MESH-REVB.DWG)		
14	2.0000	PC		A65-00200-05039	METAL CLIP;C RETAINER 05;I00023P;TO247;DST.NO:002;DPT.NO:05039;(I00023P-RETAINER_SPRING_T0247-REVB.DWG)		
15	1.0000	PC		A65-00300-13213	METAL CLIP;C RETAINER 04;LM3886;DST.NO:003;DPT.NO:13213;(GMX212-RETAINER SPRING-REVC.DWG)		
16	2.0000	PC		A65-04700-04125	METAL;HANDLE FIXATION;BG-SERIES;(STAINLESS) STEEL;DWG.NO:04125;(R14-MET_H-COVER-REVA.DWG)		
17	2.0000	PC		A65-15000-04134	METAL;SPACER;LENGTH:4mm;HOLE DIA:3mm;DWG.NO:04134;(R14-FS112-SPACER-REVA.DWG)		
18	1.0000	PC		J02-00000-47821	METAL;P0366;CABINET.E001		
19	1.0000	PC		J02-00000-63825	METAL;P0A5U;SECC 1.6mm;COVER;STAMPING;SPRAYING;CHAMPAGNE;D007		

Plastic Part

	Quantity	Unit	S.Sku	M.Sku	Description	Reference Designators	Notes
1	8.0000	PC	W51-00300-06264	G51-00300-06264	RUBBER FOOT;ROUND;BIG;DWG.NO:06264;(R14-RUBFOOT_WASHER-REVA.DWG)		
2	7.0000	PC	W52-00200-00106	G52-00200-00106	KNOB;POT;BXL450A;W/ INK MARKING;DST.NO:002;DPT.NO:00106;(BXL450A-POTKNOB-REVB.DWG)		
3	7.0000	PC	W52-00200-08623	G52-00200-08623	KNOB;FADER;FAD30MMKNOB 1;BLACK;DST.NO:002;DPT.NO:08623;(FADERKNOBBLK1-REVB.DWG)		
4	4.0000	PC	W52-00400-05276	G52-00400-05276	KNOB;SWITCH 1;MINI-SERIES;DST.NO:004;DPT.NO:05276;(I00040P-SWITCH_BUTTON1-REVD.DWG)		
5	2.0000	PC	W52-80500-09382	G52-80500-09382	KNOB;SWITCH;FOOTPEDALS;BLACK;DWG.NO:09382;(R14-GUITAR-SWITCHKNOB1-REVA.DWG)		
6	2.0000	PC		G58-00000-14199	PLASTIC;P0A2E;HOUSING;BLACK;LD-OPT01;DIM:8*10mm;LDOPT01HOUSING-REVE		
7	900.0000	MM	W58-00100-02434	G58-00100-02434	GASKET;SPEAKER;MATERIAL:EVA;WIDTH:12mm;THICKNESS:1mm5;DST.NO:001;DPT.NO:02434;(LS-RGA12EVA1_5A-REVA.DWG)		
8	1.0000	PC	W58-00200-01081	G58-00200-01081	PLASTIC;HANDLE;P0357;PVC;EXTRUSION;BLACK;DST.NO:002;DPT.N O:01081;(R14-PLA-BELT-REVB.DWG)		
9	2.0000	PC	W58-00300-04665	G58-00300-04665	PLASTIC;PORT TUBE;P0382;DST.NO:003;DPT.NO:04665;(P0382-PORT TUBE-REVC.DWG)		
10	4.0000	PC		G58-00400-07922	PLASTIC;GUIDE;P0370;ABS PA757;BLACK;DST.NO:004;DPT.NO:7922;(BXL450A-SWITCH_GUIDE-REVD.DWG)		
11	4.0000	PC		G58-00500-11675	LED CAP;2CAVITIES;3mm LED;BLACK;DST.NO:005;DPT.NO:11675;(R20-PRO-2HOLELEDHOLDER-REVE.DWG)		
12	2.0000	PC		G58-53000-25624	PLASTIC;BASE;P0089;ABS;YS1285A;BLACK;FS112 FS114 FCB1010;COLOR:BLK;DWG.NO:25624;(R14-GUITAR-SWITCHBASE1-REVB.DWG)		
13	2.0000	PC		G58-54100-12081	PLASTIC;CORNER;P0108;PP;BX1200 (NO 4);(R14-CORNER_L_V2-REVA.DWG)		
14	2.0000	PC		G58-54100-12082	PLASTIC;CORNER;P0108;PP;BX1200 (NO 5);(R14-CORNER_R_V2-REVA.DWG)		
15	2.0000	PC	W58-40100-04229	I68-00000-40599	PLASTIC;P0000;HANDLECOVER;B001		
16	1.0000	PC		I68-00000-45508	PLASTIC;P0000;SILVER CHROME;BEHLOGO12;BKSR;68.38mm;A002		

Plug Socket

	Quantity	Unit	S.Sku	M.Sku	Description	Reference Designators	Notes
1	1.0000	PC		G61-65210-03289	BOX HEADER;POLES:10;2 ROW;STRAIGHT;PITCH:2mm54;SCM-10S	[BXL1800:01: {1.0}(X10)]	
2	1.0000	PC		G61-75210-05768	CABLE HEADER;POLES:10;2 ROW;IDE;STRAIGHT;PITCH:2mm54;FC-10P		
3	1.0000	PC		G61-85210-08163	TRANSITION PLUG;FLAT CABLE;POLES:10;ROWS:2;STRAIGHT;PITCH:2mm54;BLACK;FD-10P		
4	6.0000	PC	W64-01211-03174	G64-01211-03174	PLUG;JACK STEREO 6mm3;STRAIGHT SOLDER;W/O MET.RNG.;MET.BUSH.;NO NUT/WASHER;(JY-6351G-02-250)	[BXL1800:01: {2.0}(X8-X9)]	
5	1.0000	PC	W68-14002-00197	G68-14002-00197	SOCKET;RCA;(CHUNCHENG RCA-221H-01);FEMALE;POLES:2;PLATING:CU/SN;STRAIGHT;SEPARATE GROUNDS;TIPS:WHITE+RED	[BXL1800:02: {1.0}(X2)]	
6	1.0000	PC		G71-15102-50445	PIN HEADER;POLES:2;STRAIGHT;PITCH:2.54 mm;1 ROW;1001-02-S	[LPA1180:00: {1.0}(X1)]	
7	1.0000	PC		G71-23102-04756	WAFER;POLES:2;STRAIGHT;PITCH:2 mm;1 ROW;TYPE:A2006WV-2P	[LPA1180:00: {1.0}(X3)]	
8	2.0000	PC	W71-23106-04965	G71-23106-04965	WAFER;POLES:6;STRAIGHT;PITCH:2 mm;1 ROW;TYPE:A2006WV-6P	[BXL1800:01: {1.0}(X11)]	
9	1.0000	PC	W71-27102-04759	G71-27102-04759	WAFER;POLES:2;STRAIGHT;PITCH:3.96 mm;1 ROW;JS1120-02	[LPA1180:00: {1.0}(X5)]	
10	1.0000	PC		G71-27105-04761	WAFER;POLES:5;STRAIGHT;PITCH:3.96 mm;1 ROW;JS1120-05	[LPA1180:00: {1.0}(X2)]	
11	2.0000	PC	W71-43106-05998	G71-43106-05998	PLUG;HOUSING;POLES:6;ROWS:1;STRAIGHT;PITCH:2mm;TYP:A2008		
12	1.0000	PC	W71-47102-05844	G71-47102-05844	PLUG;HOUSING;A3963H02;PITCH:3mm96;POLES:2;ROWS:1;UL94-V0;STRAIGHT		
13	1.0000	PC		G67-20103-01421	PLUG;AC SOCK;W FUSE;COLOR:BLK;POLES:03;(JACKSON JR-101-1F)		(EU, UL, JP, UK, SAA, BR, AR, HM, SH)
14	1.0000	PC		G67-20103-01421	PLUG;AC SOCK;W FUSE;COLOR:BLK;POLES:03;(JACKSON JR-101-1F)		
15	1.0000	PC		G67-20103-01421	PLUG;AC SOCK;W FUSE;COLOR:BLK;POLES:03;(JACKSON JR-101-1F)		
16	0.0000	PC	W67-20103-01396	G67-20103-01396	PLUG;AC SOCK;W FUSE;COLOR:BLK;POLES:03;(RONG-FENG RF-2004-C-4.8)		(EU, UL, JP, UK, SAA, BR, AR, HM, SH)
17	0.0000	PC	W67-20103-01396	G67-20103-01396	PLUG;AC SOCK;W FUSE;COLOR:BLK;POLES:03;(RONG-FENG RF-2004-C-4.8)		

Power Supply

	Quantity	Unit	S.Sku	M.Sku	Description	Reference Designators	Notes
1	0.0000	PC		J65-73806-06314	TRAF0;EI;P0380;SA96-290M-4200AF-BEH3-R1;SAA 240V;STANDARD SUCCESS		(UK, SAA, AR)
2	0.0000	PC		J65-73807-06313	TRAF0;EI;P0380;SJ96-290M-4200AF-BEH3-R1;JP 100V;STANDARD SUCCESS		(JP, HM, SH)
3	1.0000	PC	Z65-93806-06311	J65-93806-06311	TRAF0;EI;P0380;EI04-0143-R2;SAA 240V;NANHAI NRE		(UK, SAA, AR)
4	0.0000	PC		J65-73806-06314	TRAF0;EI;P0380;SA96-290M-4200AF-BEH3-R1;SAA 240V;STANDARD SUCCESS		
5	0.0000	PC		J65-73804-06312	TRAF0;EI;P0380;SD96-290M-4200AF-BEH3-R2;EU/UL 120/230V;STANDARD SUCCESS		(EU, UL, BR)
6	1.0000	PC	Z65-93809-06309	J65-93809-06309	TRAF0;EI;K1800FX;EI04-0131-R1;EU/UL 120/230V;NANHAI NRE		(EU, UL, BR)
7	1.0000	PC	Z65-93806-06311	J65-93806-06311	TRAF0;EI;P0380;EI04-0143-R2;SAA 240V;NANHAI NRE		
8	1.0000	PC	Z65-93807-06310	J65-93807-06310	TRAF0;EI;P0380;EI04-0142-R2;JP 100V;NANHAI NRE		(JP, HM, SH)

Resistor

	Quantity	Unit	S.Sku	M.Sku	Description	Reference Designators	Notes
1	1.0000	PC			RESISTOR;METAL;221Kohm;1%;0W1;SMD603	[BXL1800:01:{1.0}(R15)]	*NOT available in DP
2	3.0000	PC			RESISTOR;CARBON;100ohm;5%;0W063;SMD603	[BXL1800:02:{3.0}(R7-R8,R11)]	*NOT available in DP
3	1.0000	PC			RESISTOR;CARBON;200ohm;5%;0W063;SMD603	[BXL1800:01:{1.0}(R101)]	*NOT available in DP
4	1.0000	PC			RESISTOR;CARBON;220ohm;5%;0W063;SMD603	[BXL1800:01:{1.0}(R104)]	*NOT available in DP
5	1.0000	PC			RESISTOR;CARBON;470ohm;5%;0W063;SMD603	[BXL1800:01:{1.0}(R47)]	*NOT available in DP
6	4.0000	PC			RESISTOR;CARBON;1Kohm;5%;0W063;SMD603	[BXL1800:01:{4.0}(R17-R18,R20,R68)]	*NOT available in DP
7	2.0000	PC			RESISTOR;CARBON;1Kohm5;5%;0W063;SMD603	[BXL1800:01:{2.0}(R137-R138)]	*NOT available in DP
8	5.0000	PC			RESISTOR;CARBON;2Kohm2;5%;0W063;SMD603	[BXL1800:01:{4.0}(R44,R46,R52,R75)]	*NOT available in DP
9	10.0000	PC			RESISTOR;CARBON;4Kohm7;5%;0W063;SMD603	[BXL1800:01:{10.0}(R26-R27,R48,R57,R70,R78,R82,R100,R112-R113)]	*NOT available in DP
10	30.0000	PC			RESISTOR;CARBON;10Kohm;5%;0W063;SMD603	[BXL1800:01:{28.0}(R31,R38,R50-R51,R53,R58-R59,R64,R67,R71,R74,R77,R83-R84,R87,R90,R93-R96,R106,R109-R110,R120,R133-R136)]	*NOT available in DP
11	1.0000	PC			RESISTOR;CARBON;15Kohm;5%;0W063;SMD603	[BXL1800:01:{1.0}(R16)]	*NOT available in DP
12	3.0000	PC			RESISTOR;CARBON;20Kohm;5%;0W063;SMD603	[BXL1800:01:{3.0}(R56,R114,R131)]	*NOT available in DP
13	7.0000	PC			RESISTOR;CARBON;22Kohm;5%;0W063;SMD603	[BXL1800:01:{7.0}(R14,R19,R54-R55,R80-R81,R111)]	*NOT available in DP
14	1.0000	PC			RESISTOR;CARBON;33Kohm;5%;0W063;SMD603	[BXL1800:01:{1.0}(R73)]	*NOT available in DP
15	1.0000	PC			RESISTOR;CARBON;36Kohm;5%;0W063;SMD603	[BXL1800:01:{1.0}(R115)]	*NOT available in DP
16	8.0000	PC			RESISTOR;CARBON;47Kohm;5%;0W063;SMD603	[BXL1800:01:{8.0}(R22-R23,R25,R28,R43,R45,R130,R140)]	*NOT available in DP
17	9.0000	PC			RESISTOR;CARBON;100Kohm;5%;0W063;SMD603	[BXL1800:01:{9.0}(R24,R49,R72,R103,R105,R107-R108,R116,R129)]	*NOT available in DP
18	2.0000	PC			RESISTOR;CARBON;150Kohm;5%;0W063;SMD603	[BXL1800:01:{2.0}(R69,R79)]	*NOT available in DP
19	2.0000	PC			RESISTOR;CARBON;200Kohm;5%;0W063;SMD603	[BXL1800:01:{2.0}(R92,R139)]	*NOT available in DP
20	1.0000	PC			RESISTOR;CARBON;220Kohm;5%;0W063;SMD603	[BXL1800:01:{1.0}(R102)]	*NOT available in DP
21	1.0000	PC			RESISTOR;CARBON;390Kohm;5%;0W063;SMD603	[BXL1800:01:{1.0}(R132)]	*NOT available in DP
22	1.0000	PC			RESISTOR;CARBON;1Mohm;5%;0W063;SMD603	[BXL1800:01:{1.0}(R99)]	*NOT available in DP
23	2.0000	PC			RESISTOR;METAL;806ohm;1%;0W063;SMD603	[BXL1800:01:{2.0}(R36,R41)]	*NOT available in DP
24	1.0000	PC			RESISTOR;METAL;1Kohm;1%;0W063;SMD603	[BXL1800:01:{1.0}(R91)]	*NOT available in DP
25	2.0000	PC			RESISTOR;METAL;2Kohm;1%;0W063;SMD603	[BXL1800:01:{2.0}(R34,R125)]	*NOT available in DP
26	1.0000	PC			RESISTOR;METAL;2Kohm49;1%;0W063;SMD603	[BXL1800:01:{1.0}(R128)]	*NOT available in DP
27	1.0000	PC			RESISTOR;METAL;4Kohm02;1%;0W063;SMD603	[BXL1800:01:{1.0}(R123)]	*NOT available in DP
28	7.0000	PC			RESISTOR;METAL;4Kohm42;1%;0W063;SMD603	[BXL1800:01:{7.0}(R33,R40,R61,R66,R86,R89,R122)]	*NOT available in DP
29	1.0000	PC			RESISTOR;METAL;5Kohm11;1%;0W063;SMD603	[BXL1800:01:{1.0}(R62)]	*NOT available in DP
30	2.0000	PC			RESISTOR;METAL;6Kohm34;1%;0W063;SMD603	[BXL1800:01:{2.0}(R37,R42)]	*NOT available in DP
31	6.0000	PC			RESISTOR;METAL;13Kohm3;1%;0W063;SMD603	[BXL1800:01:{6.0}(R29-R30,R39,R60,R118-R119)]	*NOT available in DP
32	2.0000	PC			RESISTOR;METAL;16Kohm5;1%;0W063;SMD603	[BXL1800:01:{2.0}(R35,R126)]	*NOT available in DP
33	1.0000	PC			RESISTOR;METAL;19Kohm1;1%;0W063;SMD603	[BXL1800:01:{1.0}(R127)]	*NOT available in DP
34	1.0000	PC			RESISTOR;METAL;30Kohm1;1%;0W063;SMD603	[BXL1800:01:{1.0}(R124)]	*NOT available in DP
35	2.0000	PC			RESISTOR;METAL;33Kohm2;1%;0W063;SMD603	[BXL1800:01:{2.0}(R32,R121)]	*NOT available in DP
36	1.0000	PC			RESISTOR;METAL;37Kohm4;1%;0W063;SMD603	[BXL1800:01:{1.0}(R88)]	*NOT available in DP
37	1.0000	PC			RESISTOR;METAL;40Kohm2;1%;0W063;SMD603	[BXL1800:01:{1.0}(R63)]	*NOT available in DP
38	1.0000	PC			RESISTOR;METAL;63Kohm4;1%;0W063;SMD603	[BXL1800:01:{1.0}(R85)]	*NOT available in DP
39	1.0000	PC			RESISTOR;METAL;80Kohm60;1%;0W063;SMD603	[BXL1800:01:{1.0}(R65)]	*NOT available in DP
40	1.0000	PC			RESISTOR;CARBON;47ohm;5%;0W1;SMD805	[LPA1180:00:{1.0}(R35)]	*NOT available in DP
41	3.0000	PC			RESISTOR;CARBON;150ohm;5%;0W1;SMD805	[BXL1800:01:{2.0}(R13,R98)]	*NOT available in DP
42	1.0000	PC			RESISTOR;CARBON;510ohm;5%;0W1;SMD805	[LPA1180:00:{1.0}(R26)]	*NOT available in DP
43	6.0000	PC			RESISTOR;CARBON;1Kohm;5%;0W1;SMD805	[BXL1800:01:{1.0}(R97)]	*NOT available in DP

	Quantity	Unit	S.Sku	M.Sku	Description	Reference Designators	Notes
44	1.0000	PC			RESISTOR;CARBON;1Kohm2;5%;0W1;SMD805	[BXL1800:01:{1.0}(R76)]	*NOT available in DP
45	1.0000	PC			RESISTOR;CARBON;3Kohm3;5%;0W1;SMD805	[LPA1180:00:{1.0}(R27)]	*NOT available in DP
46	2.0000	PC			RESISTOR;CARBON;4Kohm7;5%;0W1;SMD805	[LPA1180:00:{2.0}(R24,R28)]	*NOT available in DP
47	1.0000	PC			RESISTOR;CARBON;10Kohm;5%;0W1;SMD805	[LPA1180:00:{1.0}(R25)]	*NOT available in DP
48	1.0000	PC			RESISTOR;CARBON;15Kohm;5%;0W1;SMD805	[LPA1180:00:{1.0}(R31)]	*NOT available in DP
49	2.0000	PC			RESISTOR;CARBON;33Kohm;5%;0W1;SMD805	[LPA1180:00:{2.0}(R36,R38)]	*NOT available in DP
50	1.0000	PC			RESISTOR;CARBON;47Kohm;5%;0W1;SMD805	[LPA1180:00:{1.0}(R32)]	*NOT available in DP
51	2.0000	PC			RESISTOR;CARBON;100Kohm;5%;0W1;SMD805	[LPA1180:00:{2.0}(R33,R39)]	*NOT available in DP
52	1.0000	PC			RESISTOR;CARBON;1Mohm;5%;0W1;SMD805	[LPA1180:00:{1.0}(R29)]	*NOT available in DP
53	1.0000	PC			RESISTOR;TRIMMER;470ohm;5mm x 5mm;HORIZONTAL;T470E5 x 5	[LPA1180:00:{1.0}(VR1)]	*NOT available in DP
54	4.0000	PC			RESISTOR;CARBON;47ohm;5%;0W25;LEAD WIRE;HORIZONTAL 26-6mm	[P0365:01:{2.0}(R1,R5)]	*NOT available in DP
55	4.0000	PC			RESISTOR;CARBON;220ohm;5%;0W25;LEAD WIRE;HORIZONTAL 26-6mm	[LPA1180:00:{4.0}(R8-R9,R12,R14)]	*NOT available in DP
56	4.0000	PC			RESISTOR;CARBON;1Kohm;5%;0W25;LEAD WIRE;HORIZONTAL 26-6mm	[LPA1180:00:{4.0}(R10,R13,R18,R20)]	*NOT available in DP
57	1.0000	PC			RESISTOR;CARBON;1Kohm2;5%;0W25;LEAD WIRE;HORIZONTAL 26-6mm	[P0365:01:{1.0}(R6)]	*NOT available in DP
58	1.0000	PC			RESISTOR;CARBON;4Kohm7;5%;0W25;LEAD WIRE;HORIZONTAL 26-6mm	[LPA1180:00:{1.0}(R16)]	*NOT available in DP
59	1.0000	PC			RESISTOR;CARBON;10Kohm;5%;0W25;LEAD WIRE;HORIZONTAL 26-6mm	[LPA1180:00:{1.0}(R15)]	*NOT available in DP
60	2.0000	PC			RESISTOR;METAL;390ohm;1%;0W25;LEAD WIRE;HORIZONTAL 26-6mm	[P0365:01:{2.0}(R2-R3)]	*NOT available in DP
61	2.0000	PC			RESISTOR;CARBON;3Kohm3;5%;0W5;LEAD WIRE	[LPA1180:00:{2.0}(R17,R19)]	*NOT available in DP
62	2.0000	PC			RESISTOR;CEMENT;120ohm;5%;5W;LEAD WIRE;RADIAL;PITCH:5mm;PRECUT:21mm	[LPA1180:00:{2.0}(R6-R7)]	*NOT available in DP
63	1.0000	PC			RESISTOR;CARBON;4ohm7;5%;1W;LEAD WIRE	[LPA1180:00:{1.0}(R11)]	*NOT available in DP
64	1.0000	PC			RESISTOR;CARBON;390ohm;5%;1W;LEAD WIRE	[BXL1800:01:{1.0}(R4)]	*NOT available in DP
65	2.0000	PC			RESISTOR;CARBON;470ohm;5%;1W;LEAD WIRE;F-TYPE	[LPA1180:00:{2.0}(R1-R2)]	*NOT available in DP
66	1.0000	PC			RESISTOR;METAL OXIDE;0ohm1;5%;5W;LEAD WIRE;AXIAL;F-TYPE	[LPA1180:00:{1.0}(R4)]	*NOT available in DP

Fader

	Quantity	Unit	S.Sku	M.Sku	Description	Reference Designators	Notes
1	7.0000	PC		I00-00001-14704	FADER;20mm;100Kohm;TAPER:W;MONO;(SN2010NLX0X-VA1-000)	[BXL1800:01:{7.0}(VR5-VR11)]	

Potentiometer

	Quantity	Unit	S.Sku	M.Sku	Description	Reference Designators	Notes
1	4.0000	PC		I03-00001-15237	POTENTIOMETER;50Kohm;TAPER:B;MONO;D-SHAFT:30MM;W/O CC;TORQUE:60~120gf;SOUNDWELL RA0901NOX0K-HA1-750	[BXL1800:01:{4.0}(VR3-VR4,VR13-VR14)]	
2	1.0000	PC		I03-00001-15239	POTENTIOMETER;10Kohm;TAPER:B;MONO;SHAFT:30MM;W/O CC;TORQUE:60~120gf;SOUNDWELL RA0901NOX0K-HA1-754	[BXL1800:01:{1.0}(VR1)]	
3	1.0000	PC		I03-00001-15244	POTENTIOMETER;50 kohm;0.050W;TAPER:A;12 %;MONO;BULK;CARBON;D-SHAFT:30MM;W/O CC;TORQUE:60-120gf;SOUNDWELL RA0901NOX0K-HA1-761	[BXL1800:01:{1.0}(VR12)]	
4	1.0000	PC		I03-00001-15360	POTENTIOMETER;200 kohm;0.050W;TAPER:A;12 %;MONO;BULK;CARBON;SHAFT:30MM;W/O CC;TORQUE:60-120gf;SOUNDWELL RA0901NOX0K-HA1-757	[BXL1800:01:{1.0}(VR2)]	

Speaker Part

	Quantity	Unit	S.Sku	M.Sku	Description	Reference Designators	Notes
1	1.0000	PC		H77-00000-85773	WOOFER;4 OHM;P082F;TS-12BA1000A4;12 inch;250 watts		
2	1.0000	PC		H79-00001-08969	CONE;BLUE;LS-CO250A72_5B		
3	1.0000	PC		H79-00001-16133	SURROUND;BLACK;LS-SR298CL2C		
4	1.0000	PC	X79-00100-03724	H79-00100-03724	MAGNET;MG140FE42A;140x60x20H;Y30;DST.NO:001;DPT.NO:03724;(LS-MG140FE42A-REVA.DWG)		
5	1.0000	PC		H79-00100-07537	VOICE COIL;VC49_5K3_6C;MATERIAL:KAPTON;SV;DIAMETER:49mm5;40H;DC RESISTANCE:3ohm6;WIRE DIAMETER:0mm28;DST.NO:001;DPT.NO:07537;(LS-VC49_5K3_6C-REVA.DWG)		
6	1.0000	PC		H79-00100-07794	GASKET;GA3058P5A;MATERIAL:BLACK PAPER;DIAMETER:303mm;DST.NO:001;DPT.NO:07794;(LS-GA3058P5A-REVA.DWG)		
7	1.0000	PC		H79-00100-08808	DAMPER;DP148CL01C;OUTSIDE DIAMETER:148mm;13mm HIGH;0.4mm;50g;DST.NO:001;DPT.NO:08808;(LS-DP148CL01C-REVA.DWG)		
8	1.0000	PC		H79-00200-07018	DUST CAP;DC90CL02B;MATERIAL:SiDingNi;OUTER DIAMETER:90mm;HEIGHT:17mm;DST.NO:002;DPT.NO:07018;(LS-DC90CL02B-REV8.DWG)		

Switch

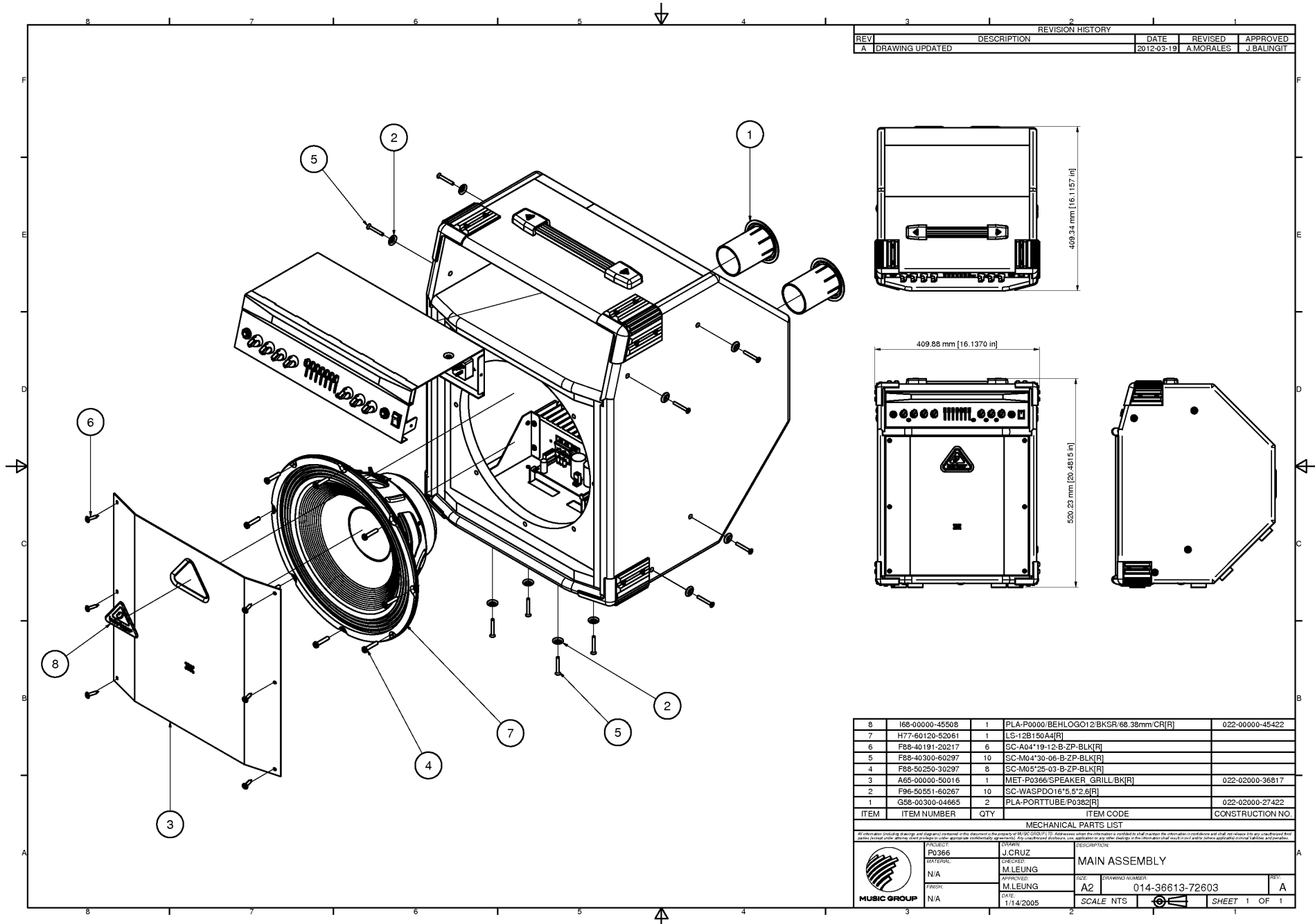
	Quantity	Unit	S.Sku	M.Sku	Description	Reference Designators	Notes
1	2.0000	PC	Y77-03422-02778	I77-03422-02778	SWITCH;RADIAL;2P2T;PCB VERSION;LOCKING;NONSHORT;RAD2P	[BXL1800:01: {2.0}(SW2-SW3)]	
2	2.0000	PC	Y77-03822-02779	I77-03822-02779	SWITCH;RADIAL;2P2T;PCB VERSION;NONLOCK;NONSHORT;RAD2P/NON	[BXL1800:01: {2.0}(SW1,SW4)]	
3	1.0000	PC	Y84-02211-00140	I84-02211-00140	SWITCH;ROCKER;1P1T;WHITE LINE MARKING RADIAL;LOCKING;NONSHORT;APPROVAL: UL94V0;(SOLTEAM MR22-FBBB-F2		
4	2.0000	PC	Y87-43811-03768	I87-43811-03768	SWITCH;TACTILE;POLES:1;HEIGHT:4mm3;PCB VERSION;NONLOCK;NONSHORT	[90100: {2.0}(SW1-SW2)]	

Transistor

	Quantity	Unit	S.Sku	M.Sku	Description	Reference Designators	Notes
1	1.0000	PC			TRANSISTOR;IRFP140N;TO247	[LPA1180:00: {1.0}(T4)]	*NOT available in DP
2	1.0000	PC			TRANSISTOR;IRFP9140N;TO247AC	[LPA1180:00: {1.0}(T1)]	*NOT available in DP
3	1.0000	PC			TRANSISTOR;MJE340;TO126	[LPA1180:00: {1.0}(T2)]	*NOT available in DP
4	1.0000	PC			TRANSISTOR;MJE350;TO126	[LPA1180:00: {1.0}(T5)]	*NOT available in DP
5	9.0000	PC			TRANSISTOR;BC846B;SOT;SMD	[BXL1800:01: {8.0}(T3-T8,T10,T12)]	*NOT available in DP
6	3.0000	PC			TRANSISTOR;BC856B;SOT;SMD	[BXL1800:01: {2.0}(T9,T11)]	*NOT available in DP
7	1.0000	PC			TRANSISTOR;MPSA06;TO92;P:2.54(BENT LEAD)	[LPA1180:00: {1.0}(T3)]	*NOT available in DP
8	1.0000	PC			TRANSISTOR;MPSA56;TO92;TAPING	[BXL1800:01: {1.0}(T1)]	*NOT available in DP
9	1.0000	PC			TRANSISTOR;MBTA42;SOT	[LPA1180:00: {1.0}(T7)]	*NOT available in DP
10	1.0000	PC			TRANSISTOR;MBTA92;SOT	[LPA1180:00: {1.0}(T6)]	*NOT available in DP
11	1.0000	PC			TRANSISTOR;SST112;SOT	[LPA1180:00: {1.0}(T8)]	*NOT available in DP
12	1.0000	PC			TRANSISTOR;J113;TO92	[BXL1800:01: {1.0}(T2)]	*NOT available in DP

Cover

	Quantity	Unit	S.Sku	M.Sku	Description	Reference Designators	Notes
1	1.3150	M2		J11-80020-39927	CARPET;FELTED;QUALITY:W151;WIDTH:2000mm;COLOR:AGLEAM BLACK		



REVISION HISTORY				
REV	DESCRIPTION	DATE	REVISED	APPROVED
A	DRAWING UPDATED	2012-03-19	A.MORALES	J.BALINGIT

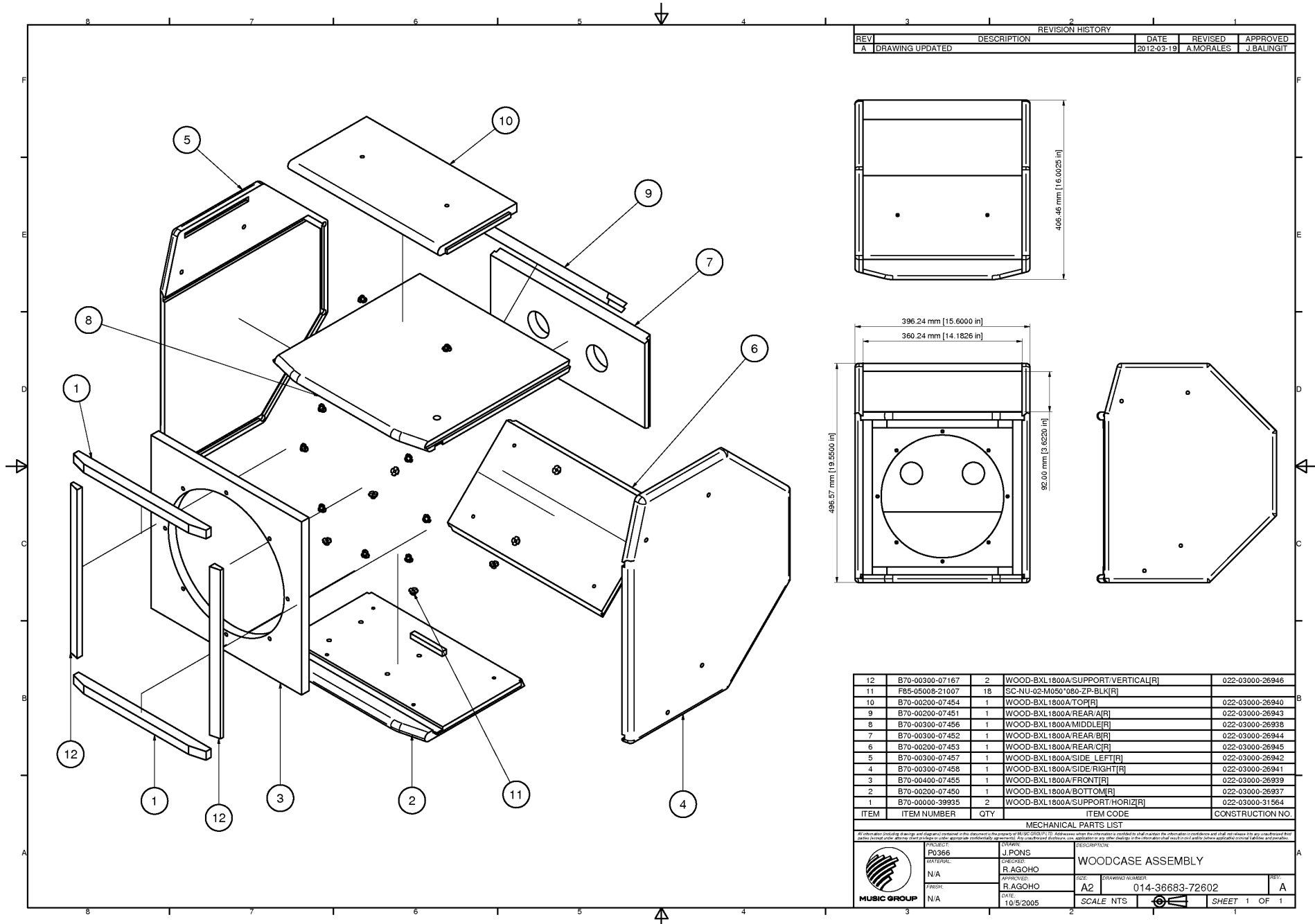
ITEM	ITEM NUMBER	QTY	ITEM CODE	CONSTRUCTION NO.
8	I68-00000-45508	1	PLA-P0000/BEHLOGO12BKSR/68.38mm/CR[R]	022-00000-45422
7	H77-60120-52061	1	LS-12B150A4[R]	
6	F88-40191-20217	6	SC-A04*19-12-B-ZP-BLK[R]	
5	F88-40300-60297	10	SC-M04*30-06-B-ZP-BLK[R]	
4	F88-50250-30297	8	SC-M05*25-03-B-ZP-BLK[R]	
3	A65-00000-50016	1	MET-P0366/SPEAKER GRILL/BK[R]	022-02000-36817
2	F96-50551-60267	10	SC-WASPDO16*5.5*2.6[R]	
1	G58-00300-04665	2	PLA-PORTTUBE/P0382[R]	022-02000-27422

MECHANICAL PARTS LIST

All information (including drawings and diagrams) contained in this document is the property of MUSIC GROUP LTD. All references herein to information is provided for information only and shall not release to any unauthorized third party without prior written consent of MUSIC GROUP LTD. All information is provided for information only and shall not release to any unauthorized third party without prior written consent of MUSIC GROUP LTD.

PROJECT: FJ366	DRAWN: J.CRUZ	DESCRIPTION: MAIN ASSEMBLY
EXTERNAL: N/A	CHECKED: M.LEUNG	SCALE: A2
APPROVED: M.LEUNG	DATE: 1/14/2005	DRAWING NUMBER: 014-36613-72603
PROJECT: N/A	DATE: 1/14/2005	REVISION: A

SCALE NTS SHEET 1 OF 1



REVISION HISTORY				
REV	DESCRIPTION	DATE	REVISED	APPROVED
A	DRAWING UPDATED	2012-03-19	AMORALES	J.BALINGIT

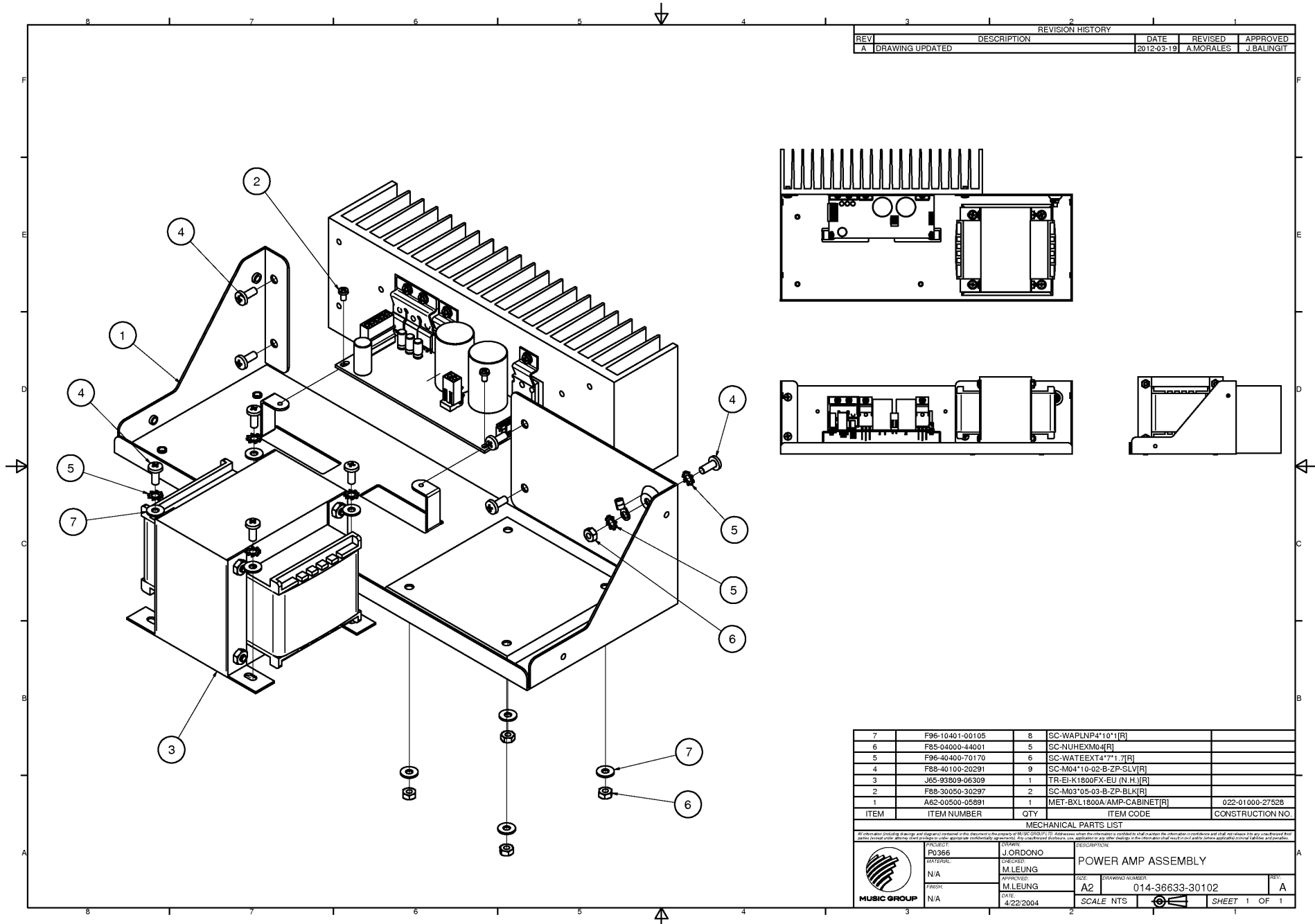
ITEM	ITEM NUMBER	QTY	ITEM CODE	CONSTRUCTION NO.
12	B70-00300-07167	2	WOOD-BXL1800A/SUPPORT/VERTICAL[R]	022-03000-26946
11	F85-05008-21007	18	SC-NU-02-M050*080-ZP-BLK[R]	
10	B70-00200-07454	1	WOOD-BXL1800A/TOP[R]	022-03000-26940
9	B70-00200-07451	1	WOOD-BXL1800A/REAR/A[R]	022-03000-26943
8	B70-00300-07456	1	WOOD-BXL1800A/MIDDLE[R]	022-03000-26938
7	B70-00300-07452	1	WOOD-BXL1800A/REAR/B[R]	022-03000-26944
6	B70-00200-07453	1	WOOD-BXL1800A/REAR/C[R]	022-03000-26945
5	B70-00300-07457	1	WOOD-BXL1800A/SIDE LEFT[R]	022-03000-26942
4	B70-00300-07458	1	WOOD-BXL1800A/SIDE RIGHT[R]	022-03000-26941
3	B70-00400-07455	1	WOOD-BXL1800A/FRONT[R]	022-03000-26939
2	B70-00200-07450	1	WOOD-BXL1800A/BOTTOM[R]	022-03000-26937
1	B70-00000-39935	2	WOOD-BXL1800A/SUPPORT/HORIZ[R]	022-03000-31564

MECHANICAL PARTS LIST

All information (including drawings and diagrams) contained in this document is the property of MUSIC GROUP LTD. All drawings when the information is required for manufacture shall refer to any unattached brief and/or technical notes attached thereto in order to obtain complete and correct information. It is intended for reference only. Modifications and other changes to this information shall be made in accordance with applicable contract, purchase and product.

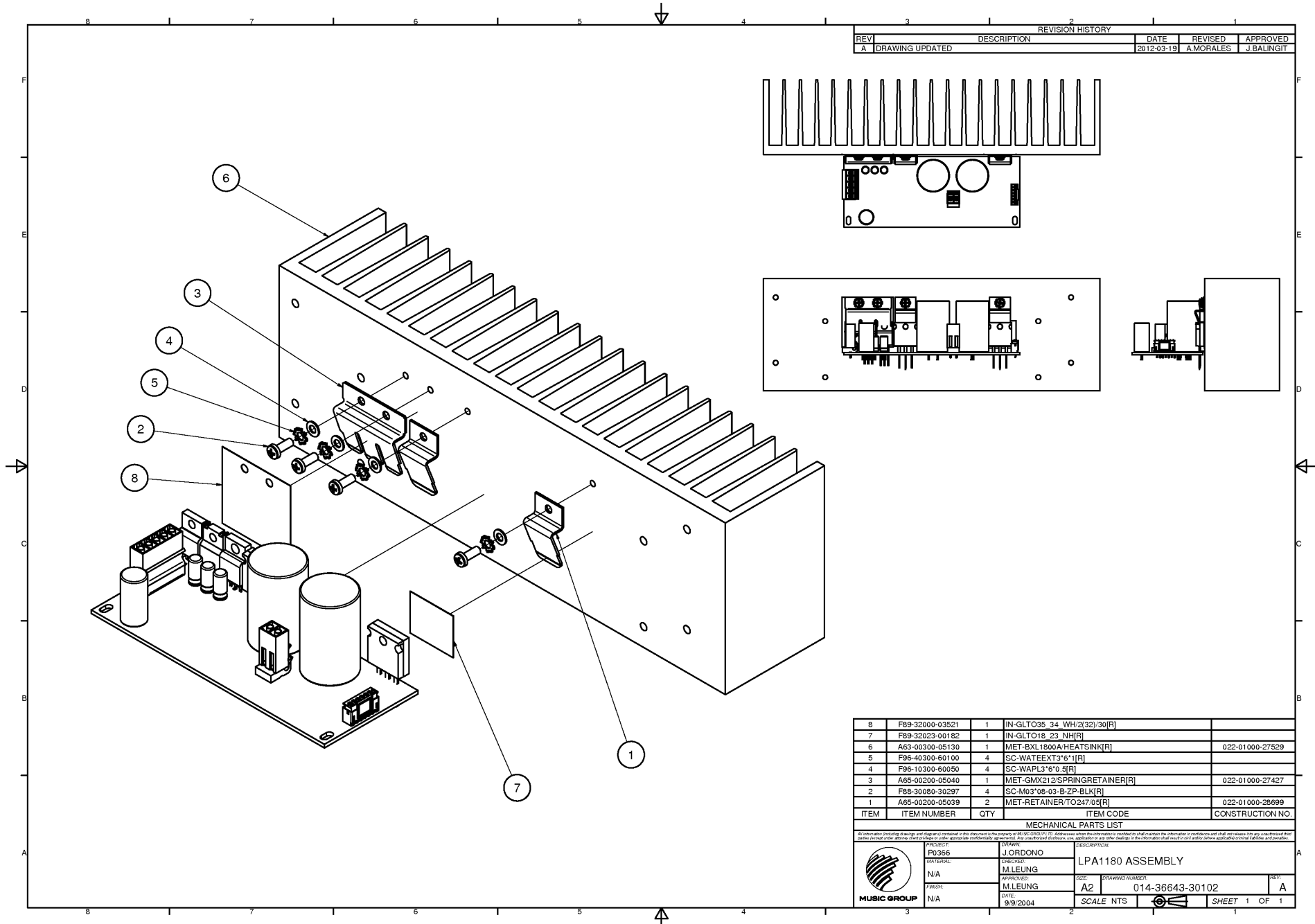
PROJECT: FJ366	DRAWN: J. PONS	DESCRIPTION: WOODCASE ASSEMBLY
EXTERNAL: N/A	CHECKED: R. AGOHO	SCALE: A2
APPROVED: R. AGOHO	DATE: 10/5/2005	DRAWING NUMBER: 014-36683-72602
MUSIC GROUP		SHEET 1 OF 1

REVISION HISTORY		DATE	REVISED	APPROVED
REV	DESCRIPTION			
A	DRAWING UPDATED	2012-03-19	A.MORALES	J.BALINGIT



ITEM	ITEM NUMBER	QTY	ITEM CODE	CONSTRUCTION NO.
7	F96-10401-00105	8	SC-WAPLNP4*10*1[R]	
6	F85-04000-44001	5	SC-NUHEXM04[R]	
5	F96-40400-70170	6	SC-WATEEXT4*7*1.7[R]	
4	F88-40100-20291	9	SC-M04*10-02-B-ZP-SLV[R]	
3	J65-93809-06309	1	TR-EI-K1800FX-EU (N.H.)[R]	
2	F88-30050-30297	2	SC-M03*05-03-B-ZP-BLK[R]	
1	A62-00500-05891	1	MET-BXL1800A AMP-CABINET[R]	022-01000-27528

MECHANICAL PARTS LIST			
PROJECT: F9366		DRAWN: J.ORDONO	
EXTERNAL: N/A		CHECKED: M.LEUNG	
APPROVED: M.LEUNG		DESCRIPTION: POWER AMP ASSEMBLY	
DATE: 4/22/2004		SIZE: A2	DRAWING NUMBER: 014-36633-30102
MUSIC GROUP		SCALE: NTS	SHEET 1 OF 1



REVISION HISTORY				
REV	DESCRIPTION	DATE	REVISED	APPROVED
A	DRAWING UPDATED	2012-03-19	A.MORALES	J.BALINGIT

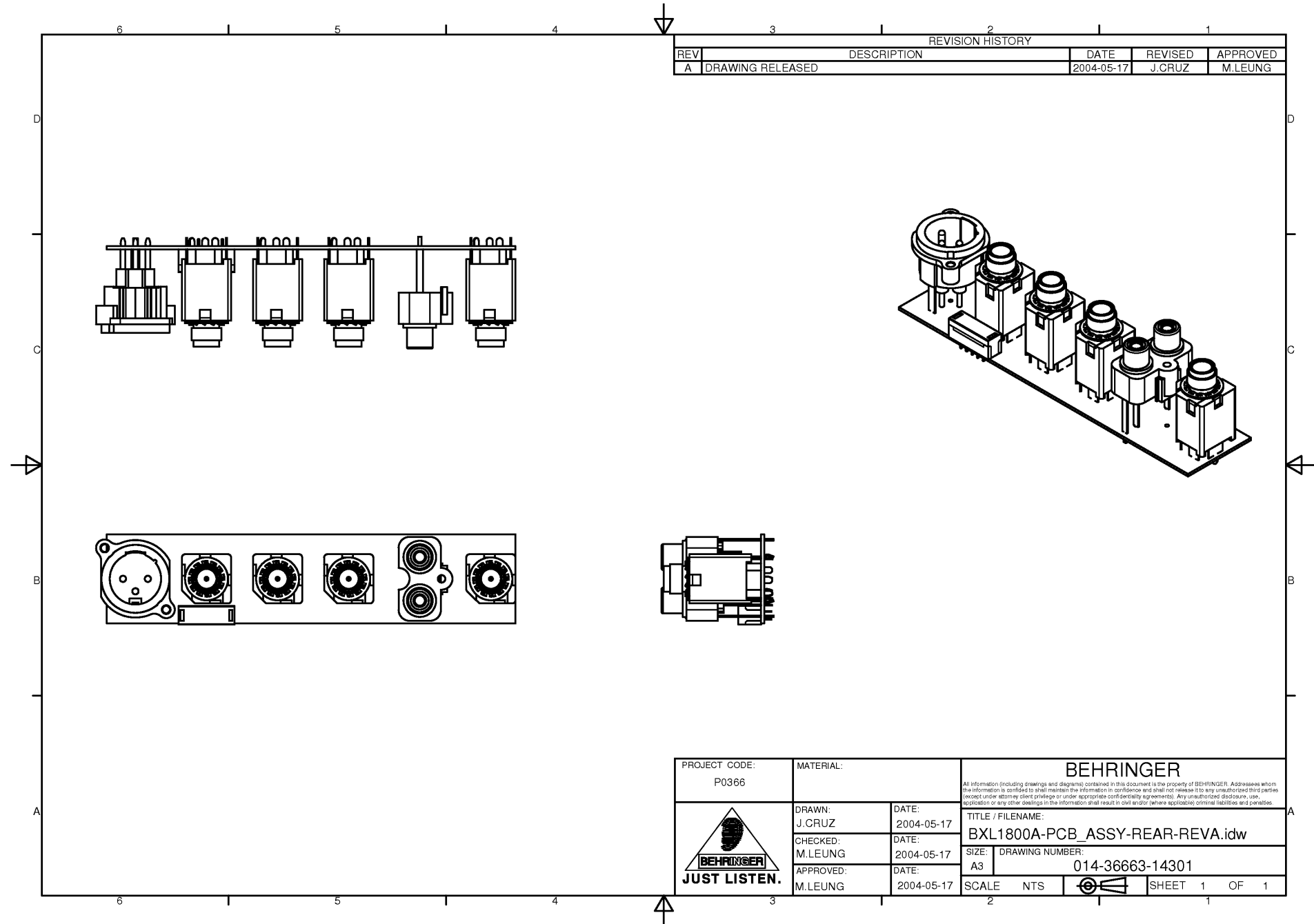
ITEM	ITEM NUMBER	QTY	ITEM CODE	CONSTRUCTION NO.
8	F89-32000-03521	1	IN-GLTO35 34_WH/2(32)/30[R]	
7	F89-32023-00182	1	IN-GLTO18 23_NH[R]	
6	A63-00300-05130	1	MET-BXL1800A/HEATSINK[R]	022-01000-27529
5	F96-40300-60100	4	SC-WATEEXT3*6*1[R]	
4	F96-10300-60050	4	SC-WAPL3*6*0.5[R]	
3	A65-00200-05040	1	MET-GMX212/SPRINGRETAINER[R]	022-01000-27427
2	F88-30080-30297	4	SC-M03*08-03-B-ZP-BLK[R]	
1	A65-00200-05039	2	MET-RETAINER/TO247/05[R]	022-01000-28699

MECHANICAL PARTS LIST

All information (including drawings and diagrams) contained in this document is the property of MUSIC GROUP LTD. All information is provided for information only and shall not be used for any unauthorized third party without prior written consent of MUSIC GROUP LTD. All information is provided for information only and shall not be used for any unauthorized third party without prior written consent of MUSIC GROUP LTD.

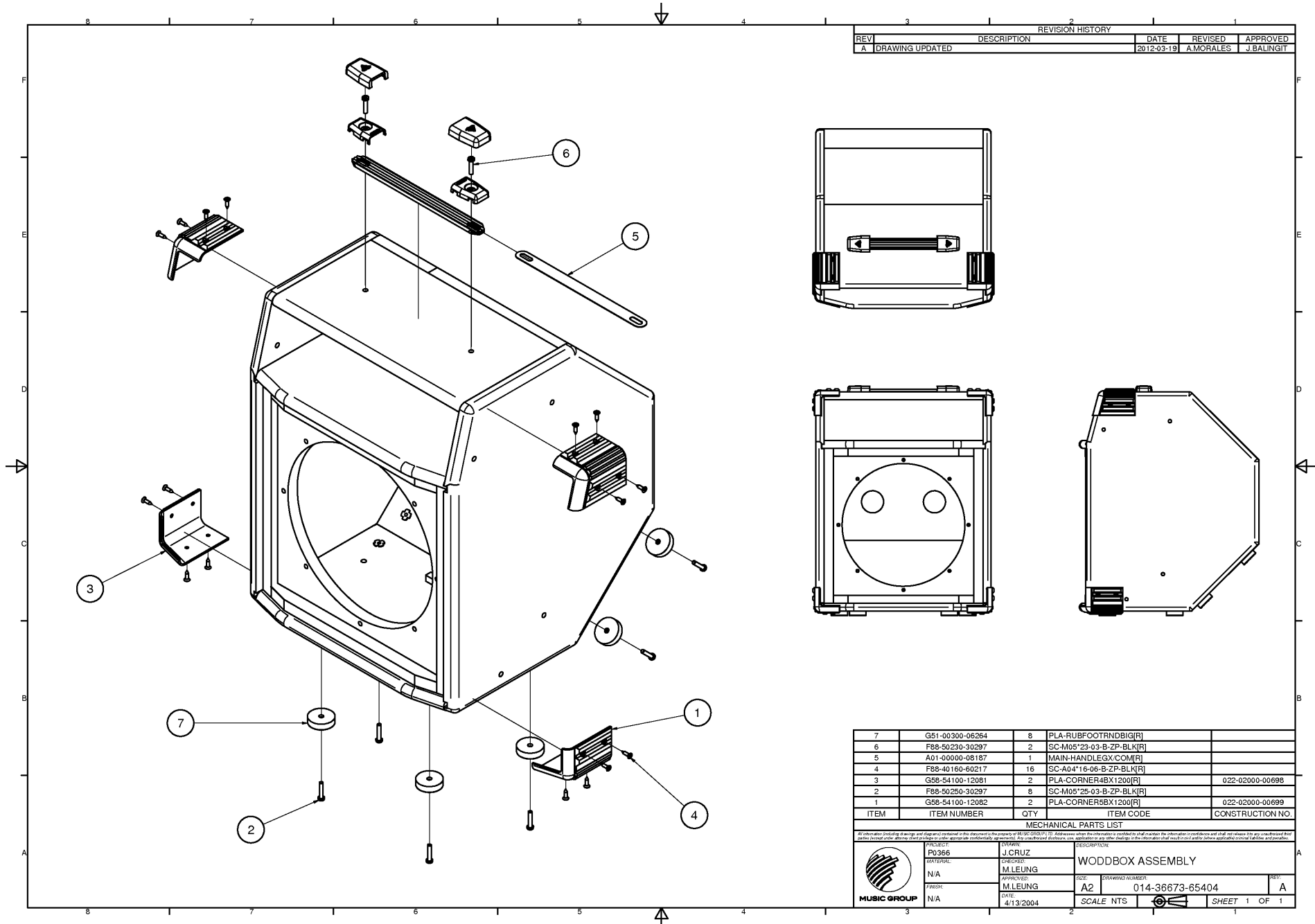
PROJECT: FJ366	DRAWN: J.JORDANO	DESCRIPTION: LPA1180 ASSEMBLY
DATE: N/A	CHECKED: M.LEUNG	SIZE: A2
APPROVED: M.LEUNG	DATE: 9/9/2004	DRAWING NUMBER: 014-36643-30102
DATE: N/A		REVISION: A

SCALE: NTS SHEET 1 OF 1



REVISION HISTORY				
REV	DESCRIPTION	DATE	REVISED	APPROVED
A	DRAWING RELEASED	2004-05-17	J.CRUZ	M.LEUNG

PROJECT CODE: P0366		MATERIAL:		BEHRINGER	
<small>All information (including drawings and diagrams) contained in this document is the property of BEHRINGER. Addressee whom the information is sent to shall maintain the information in confidence and shall not release it to any unauthorized third parties (except under attorney client privilege or under appropriate confidentiality agreements). Any unauthorized disclosure, use, application or any other dealings in the information shall result in civil and/or criminal liabilities and penalties.</small>					
	DRAWN: J.CRUZ	DATE: 2004-05-17	TITLE / FILENAME: BXL1800A-PCB_ASSY-REAR-REVA.idw		
	CHECKED: M.LEUNG	DATE: 2004-05-17	SIZE: A3	DRAWING NUMBER: 014-36663-14301	
	APPROVED: M.LEUNG	DATE: 2004-05-17	SCALE NTS	SHEET 1 OF 1	



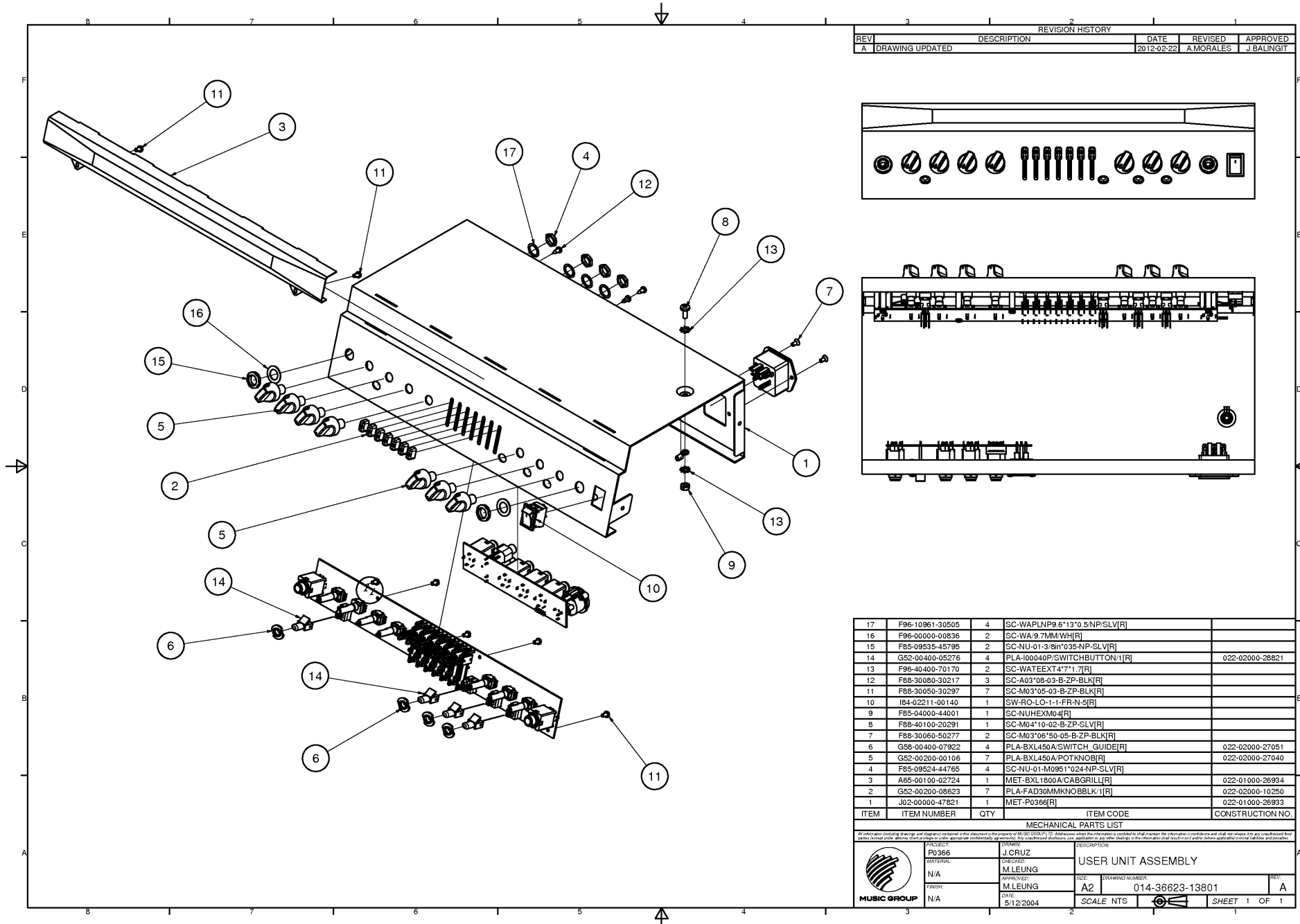
REVISION HISTORY		DATE	REVISED	APPROVED
REV	DESCRIPTION			
A	DRAWING UPDATED	2012-03-19	A.MORALES	J.BALINGIT

ITEM	ITEM NUMBER	QTY	ITEM CODE	CONSTRUCTION NO.
7	G51-00300-06264	8	PLA-RUBFOOTRND8I(G[R]	
6	F88-50230-30297	2	SC-M05*23-03-B-ZP-BLK[R]	
5	A01-00000-08187	1	MAIN-HANDLEGX.COM[R]	
4	F88-40160-60217	16	SC-A04*16-06-B-ZP-BLK[R]	
3	G58-54100-12081	2	PLA-CORNER4BX1200[R]	022-02000-00698
2	F88-50250-30297	8	SC-M05*25-03-B-ZP-BLK[R]	
1	G58-54100-12082	2	PLA-CORNER5BX1200[R]	022-02000-00699

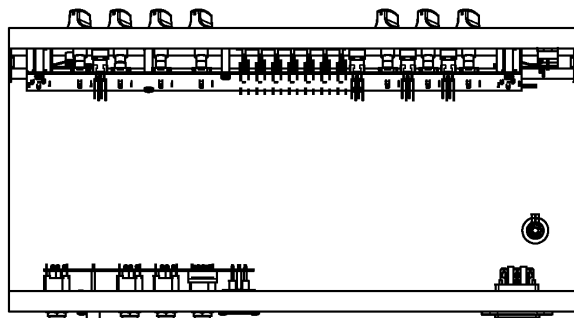
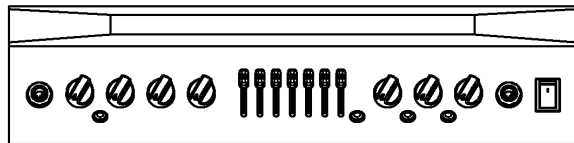
MECHANICAL PARTS LIST

All information (including drawings and diagrams) contained in this document is the property of MUSIC GROUP, LTD. All information is provided for informational purposes only and shall not be used for any unauthorized third party. All information is provided for informational purposes only. All information is provided for informational purposes only. All information is provided for informational purposes only.

PROJECT: FJ366	DRAWN: J. CRUZ	DESCRIPTION: WOODBOX ASSEMBLY
EXTERNAL: N/A	CHECKED: M. LEUNG	SCALE: A2
APPROVED: M. LEUNG	DATE: 4/13/2004	DRAWING NUMBER: 014-36673-65404
REV: A		SHEET 1 OF 1



REVISION HISTORY				
REV	DESCRIPTION	DATE	REVISED	APPROVED
A	DRAWING UPDATED	2012-02-22	AMORALES	J.BALINGIT



ITEM	ITEM NUMBER	QTY	ITEM CODE	CONSTRUCTION NO.
17	F96-10961-30505	4	SC-WAPLNP9.6*13*0.5NP/SLV[R]	
16	F96-00000-00836	2	SC-WA-9.7MM/WH[R]	
15	F85-09535-45795	2	SC-NU-01-3.8in*035-NP-SLV[R]	
14	G52-00400-05276	4	PLA-100040P/SWITCHBUTTON/1[R]	022-02000-28821
13	F96-40400-70170	2	SC-WATEEXT4*7*1.7[R]	
12	F88-30080-30217	3	SC-A03*08-03-B-ZP-BLK[R]	
11	F88-30050-30297	7	SC-M03*05-03-B-ZP-BLK[R]	
10	I84-02211-00140	1	SW-RO-LO-1-1-FR-N-5[R]	
9	F85-04000-44001	1	SC-NUHEXM04[R]	
8	F88-40100-20291	1	SC-M04*10-02-B-ZP-SLV[R]	
7	F88-30060-50277	2	SC-M03*06*50-05-B-ZP-BLK[R]	
6	G58-00400-07922	4	PLA-BXL450A/SWITCH GUIDE[R]	022-02000-27051
5	G52-00200-00106	7	PLA-BXL450A/POTKNOB[R]	022-02000-27040
4	F85-09524-44765	4	SC-NU-01-M0951*024-NP-SLV[R]	
3	A65-00100-02724	1	MET-BXL1800A/CABGRILL[R]	022-01000-26934
2	G52-00200-08623	7	PLA-FAD30MMKNOBBLK/1[R]	022-02000-10250
1	J02-00000-47821	1	MET-P0366[R]	022-01000-26933

MECHANICAL PARTS LIST

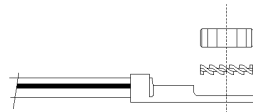
All information (including drawings and diagrams) contained in this document is the property of MUSIC GROUP LTD. All information is provided for informational purposes only and shall not be used for any unauthorized third party without prior written consent of MUSIC GROUP LTD. All information is provided for informational purposes only and shall not be used for any unauthorized third party without prior written consent of MUSIC GROUP LTD.

PROJECT: P0366	DRAWN: J.GRUZ	DESCRIPTION: USER UNIT ASSEMBLY
DATE: N/A	CHECKED: M.LEUNG	SCALE: A2
APPROVED: M.LEUNG	DATE: 5/12/2004	DRAWING NUMBER: 014-36623-13801
DATE: N/A		SHEET 1 OF 1

△C

option: only for projects with PE-cable to PCB !

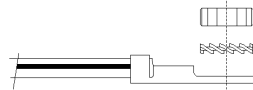
ASSEMBLED CABLE
(Yellow/Green) to PCB



HEX NUT SC-NUHEXM04
WASHER TEETH EXTERNAL SC-WATEEXT4×7×1.7
ASSEMBLED CABLE WITH LUG 4.3mm WI-00/07/xxxx/07/05/00/18/34/00

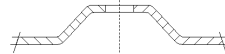
△B △C △D

ASSEMBLED CABLE
(Yellow/Green) to Power Conn.



HEX NUT SC-NUHEXM04
WASHER TEETH EXTERNAL SC-WATEEXT4×7×1.7
ASSEMBLED CABLE WITH LUG 4.3mm WI-00/07/xxxx/07/05/00/18/34/00

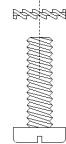
△B △C △D



METAL CASE

WASHER TEETH EXTERNAL SC-WATEEXT4×7×1.7

△B △C △D



SCREW SC-M04×16-02-B-ZP-SLV
(standard length, can be variable if required)

△B △C △D

Part: ASSEMBLE DRAWING		Name	Date	Project:
		Drawn	PEUSE	08.01.1996
		File	R14-ASSEMBLE-PE-SCREW-REVD.DWG	
Drawing-No.:	X	Part-No.:		
		Color of Part		
		Printing		
		Surface		
D	changed from M3 to M4	03.06.2003	SCHOMMER	Scale
C	add optional block, delete P-IDs	11.03.2002	MERKEL	Material
B	adjust Part-IDs	11.04.2001	MERKEL	Units
A		08.01.1996	PEUSE	Behringer
Rev.	Modification	Date	Name	Part-ID:
				DRA-ASSEMBLE/PE-SCREW



Page 1
of 1



We Hear You