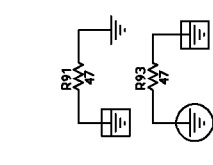
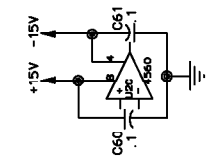
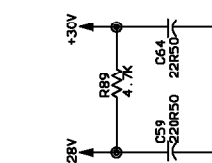
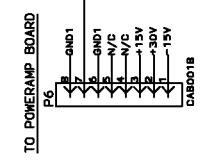
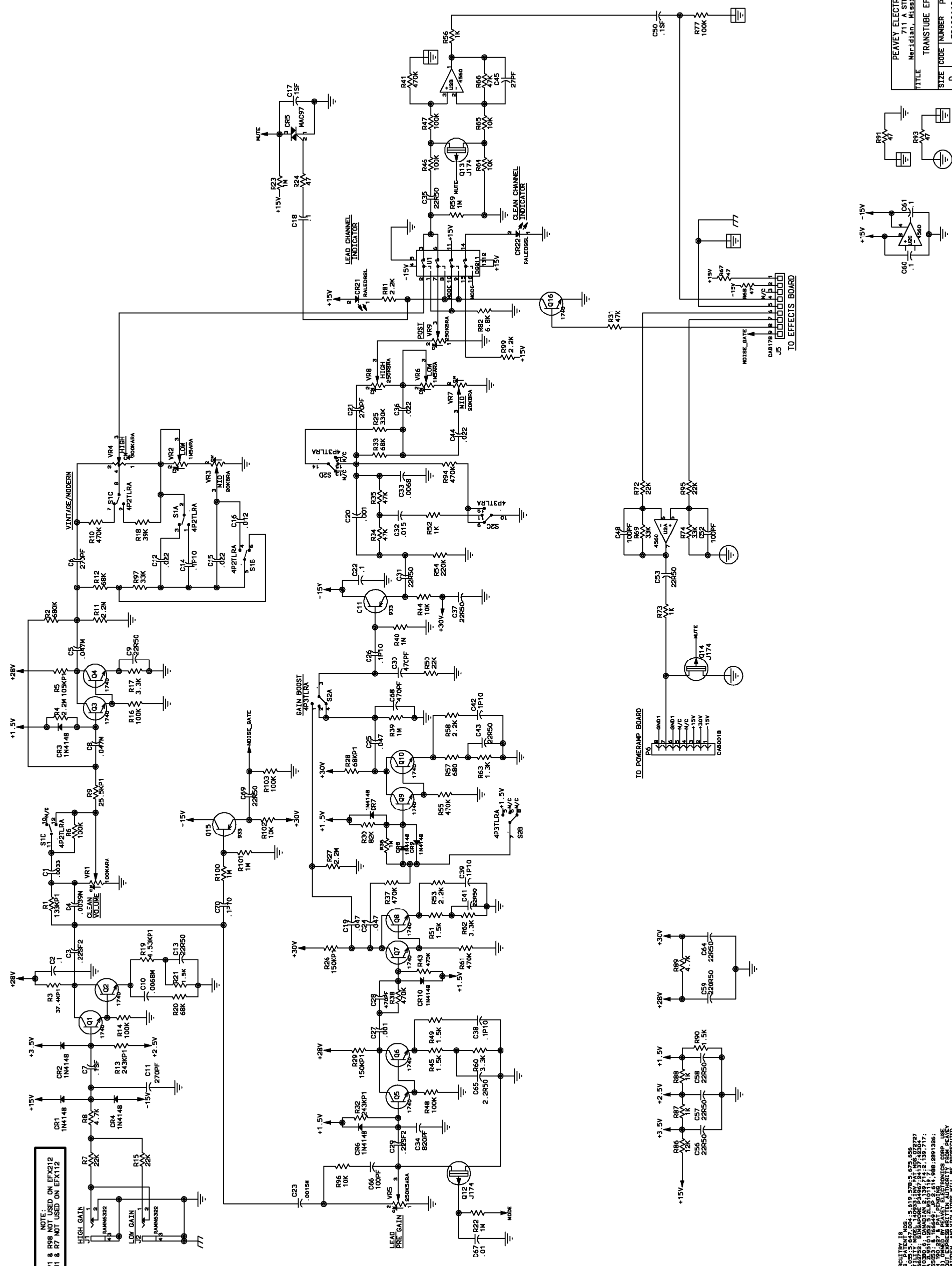


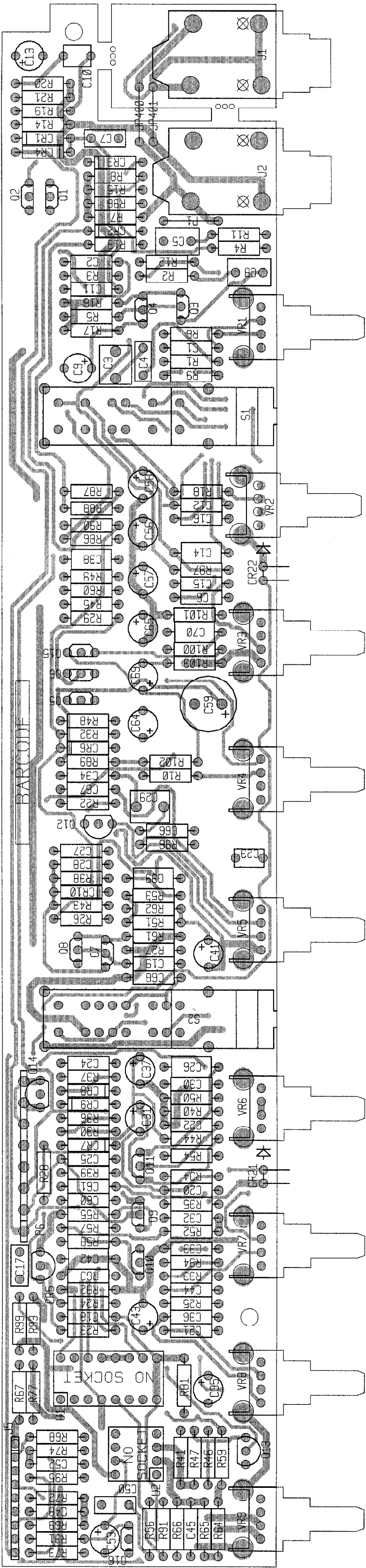
NOTE:  
P1 & R98 NOT USED ON EFX212  
J1 & R7 NOT USED ON EFX112



NOTICE: THIS CIRCUITRY IS PROVIDED BY U.S. PATENT NOS. 5,519,578; 5,575,575; 5,575,576; 5,575,577; 5,575,578; 5,575,579; 5,575,580; 5,575,581; 5,575,582; 5,575,583; 5,575,584; 5,575,585; 5,575,586; 5,575,587; 5,575,588; 5,575,589; 5,575,590; 5,575,591; 5,575,592; 5,575,593; 5,575,594; 5,575,595; 5,575,596; 5,575,597; 5,575,598; 5,575,599; 5,575,600; 5,575,601; 5,575,602; 5,575,603; 5,575,604; 5,575,605; 5,575,606; 5,575,607; 5,575,608; 5,575,609; 5,575,610; 5,575,611; 5,575,612; 5,575,613; 5,575,614; 5,575,615; 5,575,616; 5,575,617; 5,575,618; 5,575,619; 5,575,620; 5,575,621; 5,575,622; 5,575,623; 5,575,624; 5,575,625; 5,575,626; 5,575,627; 5,575,628; 5,575,629; 5,575,630; 5,575,631; 5,575,632; 5,575,633; 5,575,634; 5,575,635; 5,575,636; 5,575,637; 5,575,638; 5,575,639; 5,575,640; 5,575,641; 5,575,642; 5,575,643; 5,575,644; 5,575,645; 5,575,646; 5,575,647; 5,575,648; 5,575,649; 5,575,650; 5,575,651; 5,575,652; 5,575,653; 5,575,654; 5,575,655; 5,575,656; 5,575,657; 5,575,658; 5,575,659; 5,575,660; 5,575,661; 5,575,662; 5,575,663; 5,575,664; 5,575,665; 5,575,666; 5,575,667; 5,575,668; 5,575,669; 5,575,670; 5,575,671; 5,575,672; 5,575,673; 5,575,674; 5,575,675; 5,575,676; 5,575,677; 5,575,678; 5,575,679; 5,575,680; 5,575,681; 5,575,682; 5,575,683; 5,575,684; 5,575,685; 5,575,686; 5,575,687; 5,575,688; 5,575,689; 5,575,690; 5,575,691; 5,575,692; 5,575,693; 5,575,694; 5,575,695; 5,575,696; 5,575,697; 5,575,698; 5,575,699; 5,575,700; 5,575,701; 5,575,702; 5,575,703; 5,575,704; 5,575,705; 5,575,706; 5,575,707; 5,575,708; 5,575,709; 5,575,710; 5,575,711; 5,575,712; 5,575,713; 5,575,714; 5,575,715; 5,575,716; 5,575,717; 5,575,718; 5,575,719; 5,575,720; 5,575,721; 5,575,722; 5,575,723; 5,575,724; 5,575,725; 5,575,726; 5,575,727; 5,575,728; 5,575,729; 5,575,730; 5,575,731; 5,575,732; 5,575,733; 5,575,734; 5,575,735; 5,575,736; 5,575,737; 5,575,738; 5,575,739; 5,575,740; 5,575,741; 5,575,742; 5,575,743; 5,575,744; 5,575,745; 5,575,746; 5,575,747; 5,575,748; 5,575,749; 5,575,750; 5,575,751; 5,575,752; 5,575,753; 5,575,754; 5,575,755; 5,575,756; 5,575,757; 5,575,758; 5,575,759; 5,575,760; 5,575,761; 5,575,762; 5,575,763; 5,575,764; 5,575,765; 5,575,766; 5,575,767; 5,575,768; 5,575,769; 5,575,770; 5,575,771; 5,575,772; 5,575,773; 5,575,774; 5,575,775; 5,575,776; 5,575,777; 5,575,778; 5,575,779; 5,575,780; 5,575,781; 5,575,782; 5,575,783; 5,575,784; 5,575,785; 5,575,786; 5,575,787; 5,575,788; 5,575,789; 5,575,790; 5,575,791; 5,575,792; 5,575,793; 5,575,794; 5,575,795; 5,575,796; 5,575,797; 5,575,798; 5,575,799; 5,575,800; 5,575,801; 5,575,802; 5,575,803; 5,575,804; 5,575,805; 5,575,806; 5,575,807; 5,575,808; 5,575,809; 5,575,810; 5,575,811; 5,575,812; 5,575,813; 5,575,814; 5,575,815; 5,575,816; 5,575,817; 5,575,818; 5,575,819; 5,575,820; 5,575,821; 5,575,822; 5,575,823; 5,575,824; 5,575,825; 5,575,826; 5,575,827; 5,575,828; 5,575,829; 5,575,830; 5,575,831; 5,575,832; 5,575,833; 5,575,834; 5,575,835; 5,575,836; 5,575,837; 5,575,838; 5,575,839; 5,575,840; 5,575,841; 5,575,842; 5,575,843; 5,575,844; 5,575,845; 5,575,846; 5,575,847; 5,575,848; 5,575,849; 5,575,850; 5,575,851; 5,575,852; 5,575,853; 5,575,854; 5,575,855; 5,575,856; 5,575,857; 5,575,858; 5,575,859; 5,575,860; 5,575,861; 5,575,862; 5,575,863; 5,575,864; 5,575,865; 5,575,866; 5,575,867; 5,575,868; 5,575,869; 5,575,870; 5,575,871; 5,575,872; 5,575,873; 5,575,874; 5,575,875; 5,575,876; 5,575,877; 5,575,878; 5,575,879; 5,575,880; 5,575,881; 5,575,882; 5,575,883; 5,575,884; 5,575,885; 5,575,886; 5,575,887; 5,575,888; 5,575,889; 5,575,890; 5,575,891; 5,575,892; 5,575,893; 5,575,894; 5,575,895; 5,575,896; 5,575,897; 5,575,898; 5,575,899; 5,575,900; 5,575,901; 5,575,902; 5,575,903; 5,575,904; 5,575,905; 5,575,906; 5,575,907; 5,575,908; 5,575,909; 5,575,910; 5,575,911; 5,575,912; 5,575,913; 5,575,914; 5,575,915; 5,575,916; 5,575,917; 5,575,918; 5,575,919; 5,575,920; 5,575,921; 5,575,922; 5,575,923; 5,575,924; 5,575,925; 5,575,926; 5,575,927; 5,575,928; 5,575,929; 5,575,930; 5,575,931; 5,575,932; 5,575,933; 5,575,934; 5,575,935; 5,575,936; 5,575,937; 5,575,938; 5,575,939; 5,575,940; 5,575,941; 5,575,942; 5,575,943; 5,575,944; 5,575,945; 5,575,946; 5,575,947; 5,575,948; 5,575,949; 5,575,950; 5,575,951; 5,575,952; 5,575,953; 5,575,954; 5,575,955; 5,575,956; 5,575,957; 5,575,958; 5,575,959; 5,575,960; 5,575,961; 5,575,962; 5,575,963; 5,575,964; 5,575,965; 5,575,966; 5,575,967; 5,575,968; 5,575,969; 5,575,970; 5,575,971; 5,575,972; 5,575,973; 5,575,974; 5,575,975; 5,575,976; 5,575,977; 5,575,978; 5,575,979; 5,575,980; 5,575,981; 5,575,982; 5,575,983; 5,575,984; 5,575,985; 5,575,986; 5,575,987; 5,575,988; 5,575,989; 5,575,990; 5,575,991; 5,575,992; 5,575,993; 5,575,994; 5,575,995; 5,575,996; 5,575,997; 5,575,998; 5,575,999; 5,576,000.

PEAVEY ELECTRONICS CORP.  
711 A STREET  
Mer:LEED, MISS:LELPL\_39301  
TITLE TRANSUBTE EFX PREAMP  
SIZE CODE NUMBER P0000079  
REV D  
PRINT NUMBER 72100662/99099830  
DATE 02-APR-01 SHEET 1 OF 1

TRANSTUBE 112/212 EFX. PREAMP



J1, R7, JP400 AND JP401 ARE NOT STUFFED FOR 112 EFX

P1 AND R93 ARE NOT STUFFED FOR 212 EFX

BILL OF MATERIALS REPORT

BOARD NAME: TRANSTUBE 112 PREAMP      REPORT DATE: 18SEP01  
 ASSEMBLY LEVEL NUMBER: 99099551  
 PROJECT NUMBER: P0000078

CBDS  
 PART            PART    DESCRIPTION AND

\*\* QTY. NAME    VALUE    NUMBER    DEVICE DESIGNATIONS \*\*\*\*\*  
 \*\*\*\*\*

1	72100744	72100744	72100744	PCB
2	.001	.001	70340000	.001MF----10%----50VDC----MON----T&R C20, C27
1	.0015M	.0015M	70330120	.0015M 5% 50vdc my T&A C23
1	.0033	.0033	70340006	.0033MF---10%----50VDC---T/C---T&R C1
1	.0039M	.0039M	70330153	.0039MF-5%-50VDC-MY-T&A C4
1	.0068	.0068	70340008	.0068MF---10%----50VDC---MON----T&R C33
1	.0068M	.0068M	70330117	.0068mf--5%--50vdc--my---t&a C10
1	.01	.01	70340011	.01MF-----10%----50VDC---T/C---T&R C67
1	.012	.012	70340009	.012MF----10%----50VDC---T/C---T&R C16
1	.015	.015	70340010	.015MF----10%----50VDC---T/C---T&R C32
4	.022	.022	70340012	.022MF----10%----50VDC---MON----T&R C12, C15, C36, C44
3	.047	.047	70340017	.047MF----10%----50VDC---MON----T&R C19, C24, C25
2	.047M	.047M	70330136	.047M 5% 50vdc my T&A C5, C8
5	.1	.1	70340100	.1MF----+80-20%-50VDC---AXL---T&R C2, C18, C22, C60, C61
6	.1P10	.1P10	70340101	.1MF-----10%----50VDC---MON----T&R C14, C26, C38, C39, C42, C70

3 .1SF .1SF 70330113 0.10 MFD 10% 100V STCK FILM T&A  
C7, C17, C50

2 .22SF2 .22SF2 70330114 0.22 MF 5% 100V STCK FILM t&a  
C3, C29

1 1.3K 1.3K 70240061 1.3K--1/4W--5%----CF--T&R  
R63

5 1.5K 1.5K 70240018 1.5K--1/4W--5%----CF--T&R  
R21, R45, R49, R51, R90

8 100K 100K 70240034 100K--1/4W--5%----CF--T&R  
R6, R14, R16, R46, R47, R48, R77, R103

1 100KARA 71190906 71190906 100K--15A--12MM--R/A D-SHAFT  
VR1

3 100PF 100PF 70340054 100PF-----10%----50VDC----T/C----T&R  
C48, C52, C66

1 105KP1 105KP1 70241076 105K-1/4W--1%----MF--T&R  
R5

5 10K 10K 70240025 10K---1/4W--5%----CF--T&R  
R44, R64, R65, R96, R102

1 12K 12K 70240057 12K---1/4W--5%----CF--T&R  
R86

1 133KP1 133KP1 70240133 133K 1% 1/4W MF T&R  
R1

2 150KP1 150KP1 70241035 150K--1/4W--1%----MF--T&R  
R26, R29

11 1740 1740 70401740 2SC1740SLN 40V,.1A, NPN, LOW NOISE T&A  
Q1, Q2, Q3, Q4, Q5, Q6, Q7, Q8, Q9, Q10,  
Q16

5 1K 1K 70240017 1K----1/4W--5%----CF--T&R  
R52, R56, R73, R87, R88

8 1M 1M 70240039 1M----1/4W--5%----CF--T&R  
R22, R23, R36, R39, R40, R59, R100, R101

2 1M5ARA 71190910 71190910 1M--5A--12MM--R/A D-SHAFT  
VR2, VR6

9 1N4148 4148 70464148 1N4148 75V 10MA SILICON DIODE  
CR1, CR2, CR3, CR4, CR6, CR7, CR8, CR9,  
CR10

4 2.2K 2.2K 70240020 2.2K--1/4W--5%----CF--T&R  
R53, R58, R81, R99

3 2.2M 2.2M 70240040 2.2M--1/4W--5%----CF--T&R  
R4, R11, R27

1 2.2R50 2.2R50 70320180 2.2MF-----20%----50VDC---EL--T&A  
C65

2 20KBRA 71190903 71190903 20KB--12MM--R/A D-SHAFT  
VR3, VR7

1 220K 220K 70240036 220K--1/4W--5%----CF--T&R  
R54

1 220R50 220R50 70320187 220MF-----20%----50VDC---EL--T&A  
C59

5 22K 22K 70240029 22K---1/4W--5%----CF--T&R  
R15, R50, R72, R95, R98

13 22R50 22R50 70320181 22MF-----20%----50VDC---EL--T&A  
C9, C13, C31, C35, C37, C41, C43, C53,  
C56, C57, C58, C64, C69

2 243KP1 243KP1 70241037 243---1/4W--1%----MF--T&R  
R13, R32

1 25.5KP1 25.5KP1 70240121 25.5K 1% 1/4W MF T&R  
R9

1 250K5ARA 71190907 71190907 250K--5A--12MM--R/A D-SHAFT  
VR5

2 250KBRA 71190908 71190908 250KB--12MM--R/A D-SHAFT  
VR8, VR9

3 270PF 270PF 70340057 270PF-----10%----50VDC---T/C----T&R  
C6, C11, C21

1 27PF 27PF 70340066 27PF-----10%----50VDC---T/C----T&R  
C45

3 3.3K 3.3K 70240022 3.3K--1/4W--5%----CF--T&R  
R17, R60, R62

1 300KARA 71190912 71190912 300K--25A--CT--12MM--R/A D-SHAFT  
VR4

1 330K 330K 70240037 330K--1/4W--5%----CF--T&R  
R25

3 33K 33K 70240030 33K---1/4W--5%----CF--T&R  
R69, R74, R97

1 37.4KP1 37.4KP1 70240052 37.4K-1/4W--1%----MF--T&R  
R3

1 39K 39K 70240048 39K---1/4W--5%----CF--T&R  
R18

1 4.53KP1 4.53KP1 70240109 4.53K 1% 1/4W MF T&R  
R19

2 4.7K 4.7K 70240023 4.7K--1/4W--5%----CF--T&R  
R8, R89

1 4560 4560 70414560 4560 DUAL OP AMP IC  
U2

5 47 47 70240008 47----1/4W--5%----CF--T&R  
R24, R67, R68, R91, R93

8 470K 470K 70240038 470K--1/4W--5%----CF--T&R  
R10, R37, R38, R41, R43, R55, R61, R94

3 470PF 470PF 70340058 470PF-----10%----50VDC----T/C----T&R  
C28, C30, C68

4 47K 47K 70240031 47K---1/4W--5%----CF--T&R  
R31, R34, R35, R66

1 4P2TLRA 4P2TLRA 71322395 4P2T RA LEVER ACTUATED SLIDE SWITCH  
S1

1 4P3TLRA 4P3TLRA 71322396 4P3T RA LEVER ACTUATED SLIDE SWITCH  
S2

1 6.8K 6.8K 70240024 6.8K--1/4W--5%----CF--T&R  
R82

1 680 680 70240016 680---1/4W--5%----CF--T&R  
R57

1 680K 680K 70240065 680K----1/4W--5%----CF--T&R  
R2

3 68K 68K 70240032 68K---1/4W--5%----CF--T&R  
R12, R20, R33

1 68KP1 68KP1 70241070 68K---1/4W--1%----MF--T&R  
R28

1 820PF 820PF 70340062 820PF-----10%----50VDC----T/C----T&R

C34

1 82K 82K 70240033 82K---1/4W--5%----CF--T&R

R30

2 933 933 70400933 2SA933ASLN 40V, .1A, PNP, LOW NOISE T&A

Q11, Q15

1 CAB0018 70600018 70600018 8C .156 - 5" JMPR W/FEED-TO CONN.

P6

1 CAB178 CAB178 70600178 9C,6",.100" CNTR, SPOX ONE RIBBON

J5

1 DG211 DG211 70420211 DG211 CJ I.C.

U1

3 J174 J174 70460174 J-174 30V TO-92 P-CHAN FET T&A

Q12, Q13, Q14

1 JMP JMP 70600005 22 GA. JUMPER WIRE T&R

P1

1 MAC97 MAC97 70460097 MAC97-6 400V .6A TO-92 TRIAC T&A

CR5

1 RALEDGSL RALEDGSL 70450054 LED, T-1, GRN, W/STOPPER LEAD T&A

CR22

1 RALEDRSL RALEDRSL 70450053 LED, T-1, RED, W/STOPPER LEAD T&A

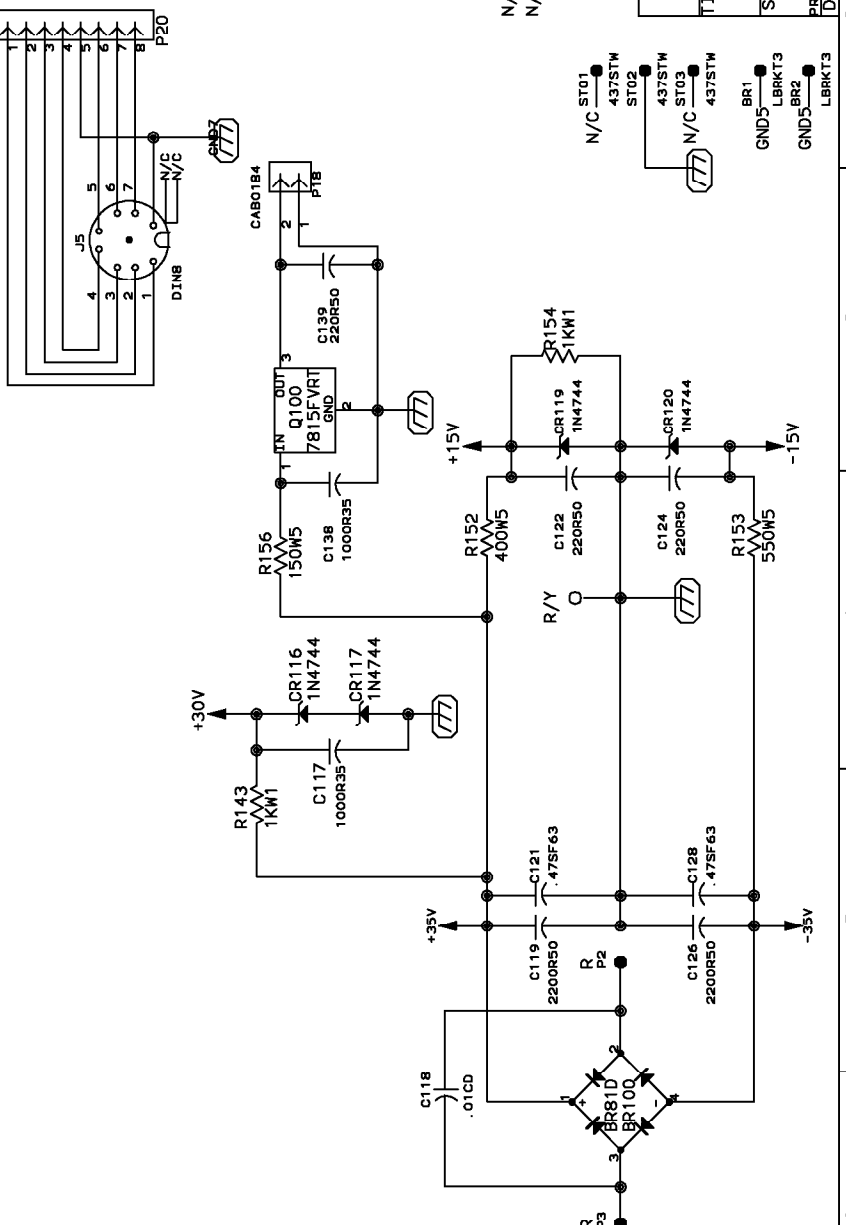
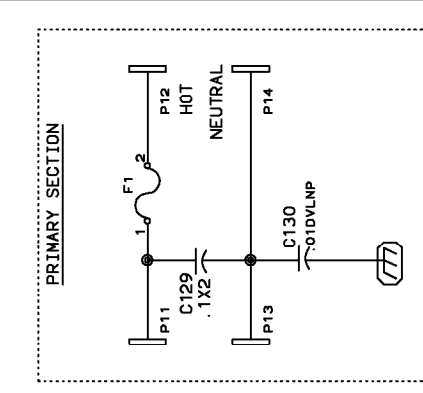
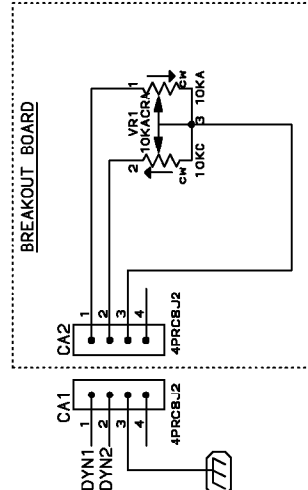
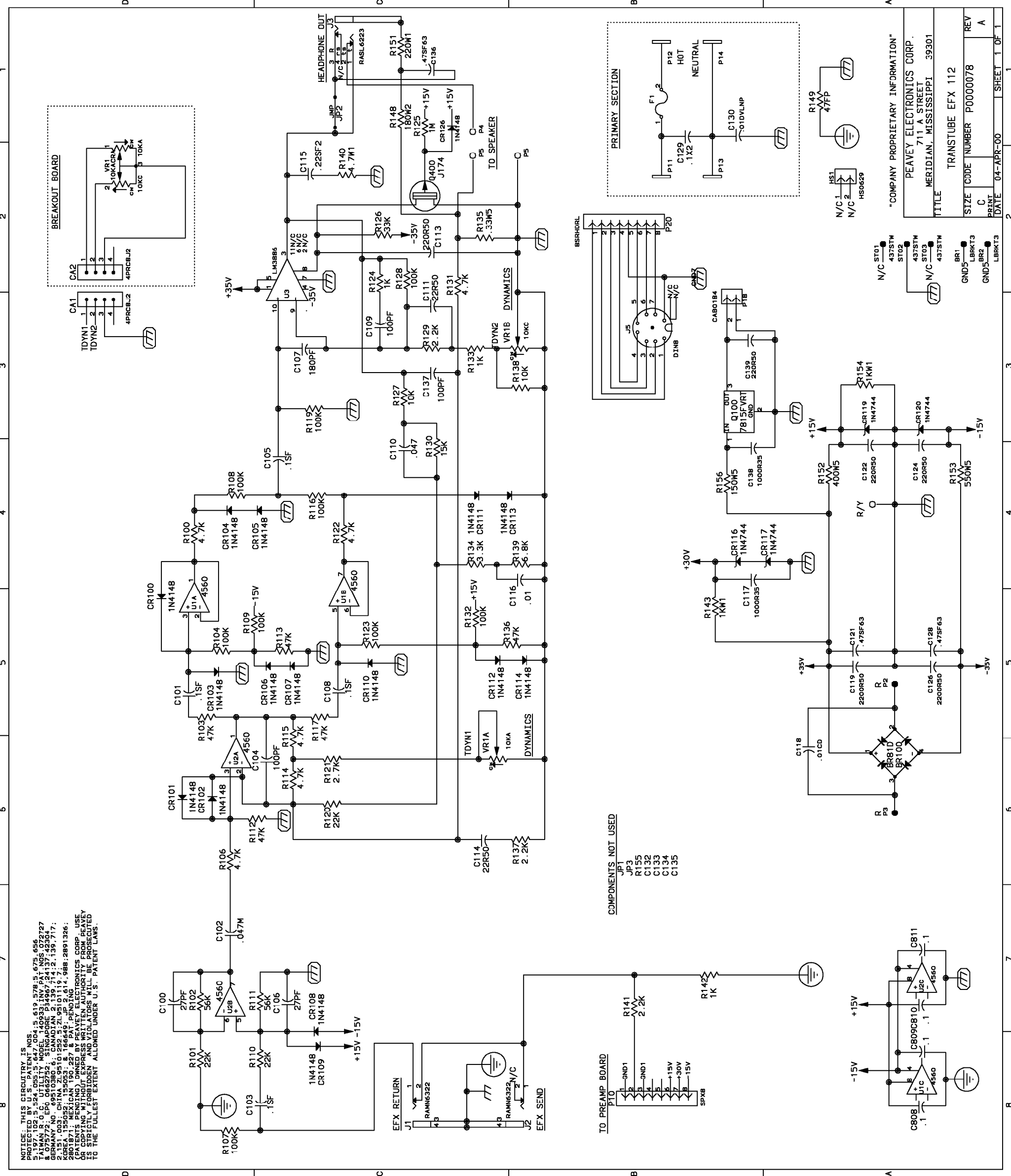
CR21

1 RAMN6322 71466322 71466322 JACK MONO R/A 1/4" 6.5MM NINS

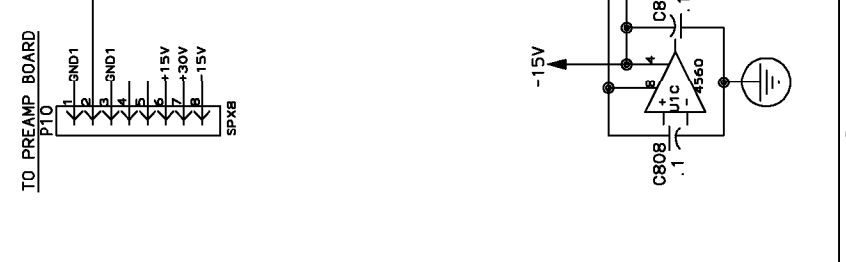
J2

\*\*\*\*\*  
\* END OF BILL OF MATERIALS REPORT \*  
\*\*\*\*\*

NOTICE: THIS CIRCUITRY IS PROTECTED BY U.S. PATENT NOS. 2,801,871; 2,801,872; 2,801,873; 2,801,874; 2,801,875; 2,801,876; 2,801,877; 2,801,878; 2,801,879; 2,801,880; 2,801,881; 2,801,882; 2,801,883; 2,801,884; 2,801,885; 2,801,886; 2,801,887; 2,801,888; 2,801,889; 2,801,890; 2,801,891; 2,801,892; 2,801,893; 2,801,894; 2,801,895; 2,801,896; 2,801,897; 2,801,898; 2,801,899; 2,801,900; 2,801,901; 2,801,902; 2,801,903; 2,801,904; 2,801,905; 2,801,906; 2,801,907; 2,801,908; 2,801,909; 2,801,910; 2,801,911; 2,801,912; 2,801,913; 2,801,914; 2,801,915; 2,801,916; 2,801,917; 2,801,918; 2,801,919; 2,801,920; 2,801,921; 2,801,922; 2,801,923; 2,801,924; 2,801,925; 2,801,926; 2,801,927; 2,801,928; 2,801,929; 2,801,930; 2,801,931; 2,801,932; 2,801,933; 2,801,934; 2,801,935; 2,801,936; 2,801,937; 2,801,938; 2,801,939; 2,801,940; 2,801,941; 2,801,942; 2,801,943; 2,801,944; 2,801,945; 2,801,946; 2,801,947; 2,801,948; 2,801,949; 2,801,950; 2,801,951; 2,801,952; 2,801,953; 2,801,954; 2,801,955; 2,801,956; 2,801,957; 2,801,958; 2,801,959; 2,801,960; 2,801,961; 2,801,962; 2,801,963; 2,801,964; 2,801,965; 2,801,966; 2,801,967; 2,801,968; 2,801,969; 2,801,970; 2,801,971; 2,801,972; 2,801,973; 2,801,974; 2,801,975; 2,801,976; 2,801,977; 2,801,978; 2,801,979; 2,801,980; 2,801,981; 2,801,982; 2,801,983; 2,801,984; 2,801,985; 2,801,986; 2,801,987; 2,801,988; 2,801,989; 2,801,990; 2,801,991; 2,801,992; 2,801,993; 2,801,994; 2,801,995; 2,801,996; 2,801,997; 2,801,998; 2,801,999; 2,801,1000.



- COMPONENTS NOT USED
- JP1
  - JP2
  - JP3
  - R155
  - C132
  - C133
  - C134
  - C135



"COMPANY PROPRIETARY INFORMATION"  
 PEAVEY ELECTRONICS CORP.  
 711 A STREET  
 MERIDIAN, MISSISSIPPI 39301

TITLE  
 TRANSSTUBE EFEX 112

SIZE CODE NUMBER P0000078  
 REV A

PRINT C  
 DATE 04-APR-00

SHEET 1 OF 1

8 7 6 5 4 3 2 1

D C B A



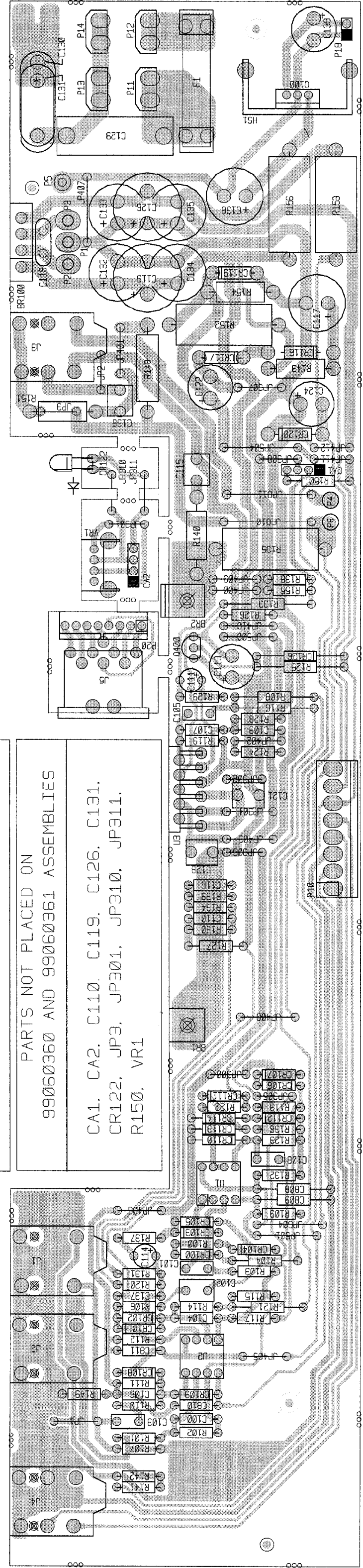
PARTS NOT PLACED ON  
 99099543 AND 99099544 ASSEMBLIES

C132, C133, C134, C135, CR122,  
 J4, JP1, JP3, JP310, JP311,  
 R150, R155

PARTS NOT PLACED ON  
 99060360 AND 99060361 ASSEMBLIES

CA1, CA2, C110, C119, C126, C131,  
 CR122, JP3, JP301, JP310, JP311,  
 R150, VR1

INSTALL C131 FOR EXPORT  
 INSTALL C130 FOR DOMESTIC



TRANSTUBE 110 & 112 EFX POWER

BILL OF MATERIALS REPORT

BOARD NAME: TRANSTUBE 112POWER REPORT DATE: 13SEP01  
ASSEMBLY LEVEL NUMBER: 99099542  
PROJECT NUMBER: P0000078

CBDS  
PART PART DESCRIPTION AND

\*\* QTY. NAME VALUE NUMBER DEVICE DESIGNATIONS \*\*\*\*\*  
\*\*\*\*\*

1 98899541 98899541 EAR PCB

1 .01 .01 70340011 .01MF-----10%----50VDC---T/C---T&R  
C116

1 .01CD .01CD 70320248 .01MF----20%---1000VDC---CD--T&A  
C118

1 .01DVLNP .01DVLNP 70320104 .01 MFD 125VDC DVL MYLAR +0-20%  
C130

1 .047 .047 70340017 .047MF----10%----50VDC---MON---T&R  
C110

1 .047M .047M 70330136 .047M 5% 50vdc my T&A  
C102

4 .1 .1 70340100 .1MF----+80-20%--50VDC---AXL----T&R  
C808, C809, C810, C811

4 .1SF .1SF 70330113 0.10 MFD 10% 100V STCK FILM T&A  
C101, C103, C105, C108

1 .1X2 70320298 70320298 .1MF 250VAC X2 20%  
C129

1 .22SF2 .22SF2 70330114 0.22 MF 5% 100V STCK FILM t&a  
C115

1 .33W5 .33W5 70250003 .33--5W--10%--WW--AXL  
R135

3 .47SF63 .47SF63 70330159 .047 MF 63V STACK FILM T&A  
C121, C128, C136

2 1000R35 1000R35 70320186 1000MF----20%----35VDC--EL--T&A  
C117, C138

9 100K 100K 70240034 100K--1/4W--5%----CF--T&R  
R104, R107, R108, R109, R116, R119,  
R123, R128, R132

3 100PF 100PF 70340054 100PF-----10%----50VDC---T/C---T&R

C104, C109, C137

2 10K 10K 70240025 10K---1/4W--5%----CF--T&R  
R127, R138

1 10KACRA 71190914 71190914 10K--15A--12MM--R/A D-SHAFT  
VR1

1 150W5 150W5 70250040 150--5W--10%--WW--AXL  
R156

1 15K 15K 70240027 15K---1/4W--5%----CF--T&R  
R130

1 180PF 180PF 70340056 180PF-----10%----50VDC----T/C----T&R  
C107

1 180W2 180W2 70250162 180---2W---5%---MO---T&R  
R148

3 1K 1K 70240017 1K----1/4W--5%----CF--T&R  
R124, R133, R142

2 1KW1 1KW1 70210000 1K----1W----5%----MO--T&R  
R143, R154

1 1M 1M 70240039 1M----1/4W--5%----CF--T&R  
R125

16 1N4148 4148 70464148 1N4148 75V 10MA SILICON DIODE  
CR100, CR101, CR102, CR103, CR104,  
CR105, CR106, CR107, CR108, CR109,  
CR110, CR111, CR112, CR113, CR114, CR126

4 1N4744 4744 70440102 SZG40102 15V 5% ZENER DIODE  
CR116, CR117, CR119, CR120

3 2.2K 2.2K 70240020 2.2K--1/4W--5%----CF--T&R  
R129, R137, R141

1 2.7K 2.7K 70240021 2.7K--1/4W--5%----CF--T&R  
R121

2 2200R50 2200R50 70320319 2200MF--50V--Radial--PC MNT  
C119, C126

4 220R50 220R50 70320187 220MF-----20%----50VDC---EL--T&A  
C113, C122, C124, C139

1 220W1 220W1 70210019 220---1W----5%----MO--T&R  
R151

3 22K 22K 70240029 22K---1/4W--5%----CF--T&R

R101, R110, R120  
 2 22R50 22R50 70320181 22MF-----20%----50VDC---EL--T&A  
 C111, C114  
 2 27PF 27PF 70340066 27PF-----10%----50VDC---T/C----T&R  
 C100, C106  
 1 3.3K 3.3K 70240022 3.3K--1/4W--5%----CF--T&R  
 R134  
 1 33K 33K 70240030 33K---1/4W--5%----CF--T&R  
 R126  
 1 3AFB 3AFB 70900033 3 AMP F/B FUSE WITH 2 FUSECLIPS #70900816  
 F1  
 6 4.7K 4.7K 70240023 4.7K--1/4W--5%----CF--T&R  
 R100, R106, R114, R115, R122, R131  
 1 4.7W1 4.7W1 70210015 4.7---1W----5%----MO--T&R  
 R140  
 1 400W5 400W5 70250062 400--5W--10%--WW--AXL  
 R152  
 3 437STW 70901891 70901891 SPCR, .437(#4),.187 SW,AL  
 STO1, STO2, STO3  
 2 4560 4560 70414560 4560 DUAL OP AMP IC  
 U1, U2  
 1 47FP 47FP 70240090 47FP--1/4W--5%----FP--T&R  
 R149  
 5 47K 47K 70240031 47K---1/4W--5%----CF--T&R  
 R103, R112, R113, R117, R136  
 2 4PRC8J2 4PRC8J2 70600055 4C PRE-TIN .100 CTR 8" JUMPER (SPLIT VERSION)  
 CA1, CA2  
 1 550W5 550W5 70250064 550--5W--10%--WW--AXL  
 R153  
 2 56K 56K 70240026 56K 1/4W 5% CF T&R  
 R102, R111  
 1 6.8K 6.8K 70240024 6.8K--1/4W--5%----CF--T&R  
 R139  
 1 7815FVRT 7815FVER 70400318 7815 15V 1A POS TO-220 RG VERT MNT INS

Q100

1 8SRHDRL 73717010 73717010 8 PIN HEADER W/LOCK  
P20  
1 BR81D BR81D 70400081 100 VOLT-2A-BRIDGE RECT.  
BR100  
1 CAB0184 CAB0184 70600184 2C 8" SPOX RIBBON CABLE .100 CTR  
P18  
1 DIN8 71466147 71466147 CONN 8 POSITION R/A PCMNT DIN  
J5  
1 FMPU 73711811 73711811 M118-171 C.B. FEMALE MOLEX PIN  
P1  
1 HS0629 70900629 70900629 AAVID VERTICAL TO-220 HEATSINK  
HS1  
1 J174 J174 70460174 J-174 30V TO-92 P-CHAN FET T&A  
Q400  
8 J325 J 70600005 22GA JUMPER WIRES T&R  
JP300, JP301, JP302, JP304, JP305,  
JP306, JP307, JP308  
12 J4 J 70600005 22GA JUMPER WIRES T&R  
JP400, JP401, JP402, JP403, JP405,  
JP406, JP407, JP408, JP409, JP410,  
JP411, JP412  
3 J5 J 70600005 22GA JUMPER WIRES T&R  
JP500, JP501, JP504  
1 J6 J 70600005 22GA JUMPER WIRES T&R  
JP604  
2 J8 J 70600005 22GA JUMPER WIRES T&R  
JP810, JP811  
1 JMP JMP 70600005 22 GA. JUMPER WIRE T&R  
JP2  
2 LBRKT3 71500238 71500238 #74 L-BRACKET W/.125 DIA. HOLE  
BR1, BR2  
1 LM3886 LM3886 70403886 68W AUDIO POWER AMP W/MUTE  
U3  
2 MMPU 73711812 73711812 R93-12 PN C.B. MALE MOLEX PIN  
P2, P3  
2 RAMN6322 71466322 71466322 JACK MONO R/A 1/4" 6.5MM NINS

J1, J2

1 RASL6223 71466223 71466223 jack stereo r/a 1/4" 6.5mm

J3

4 SPD 73716194 73716194 .250 PC MNT SPADE .093 PCB

P11, P12, P13, P14

1 SPX8 SPX8 XXXXXXXX 8 EACH OF STAKE PINS

P10

1 WJ6BK6G 91108014 91108014 BK--16G--6"--CPT--LUG

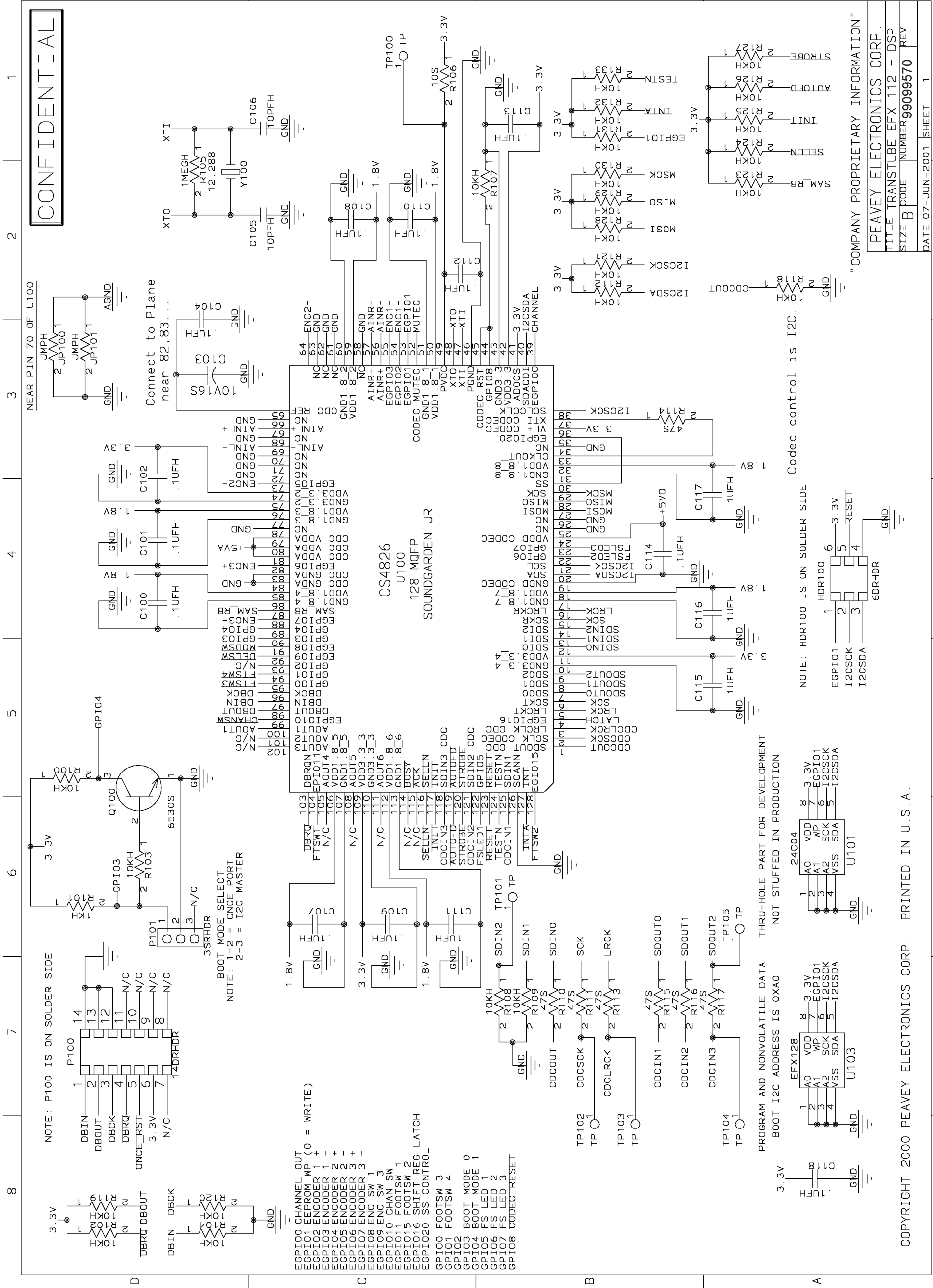
P5

1 WJ8YL8SP WJ8YL8SP 91090194 YL-18G-8"--CPT-205SPD

P4

\*\*\*\*\*  
\* END OF BILL OF MATERIALS REPORT \*  
\*\*\*\*\*

**CONFIDENTIAL**



NOTE: P100 IS ON SOLDER SIDE

NOTE: 1-2 = UNCE PORT  
2-3 = I2C MASTER

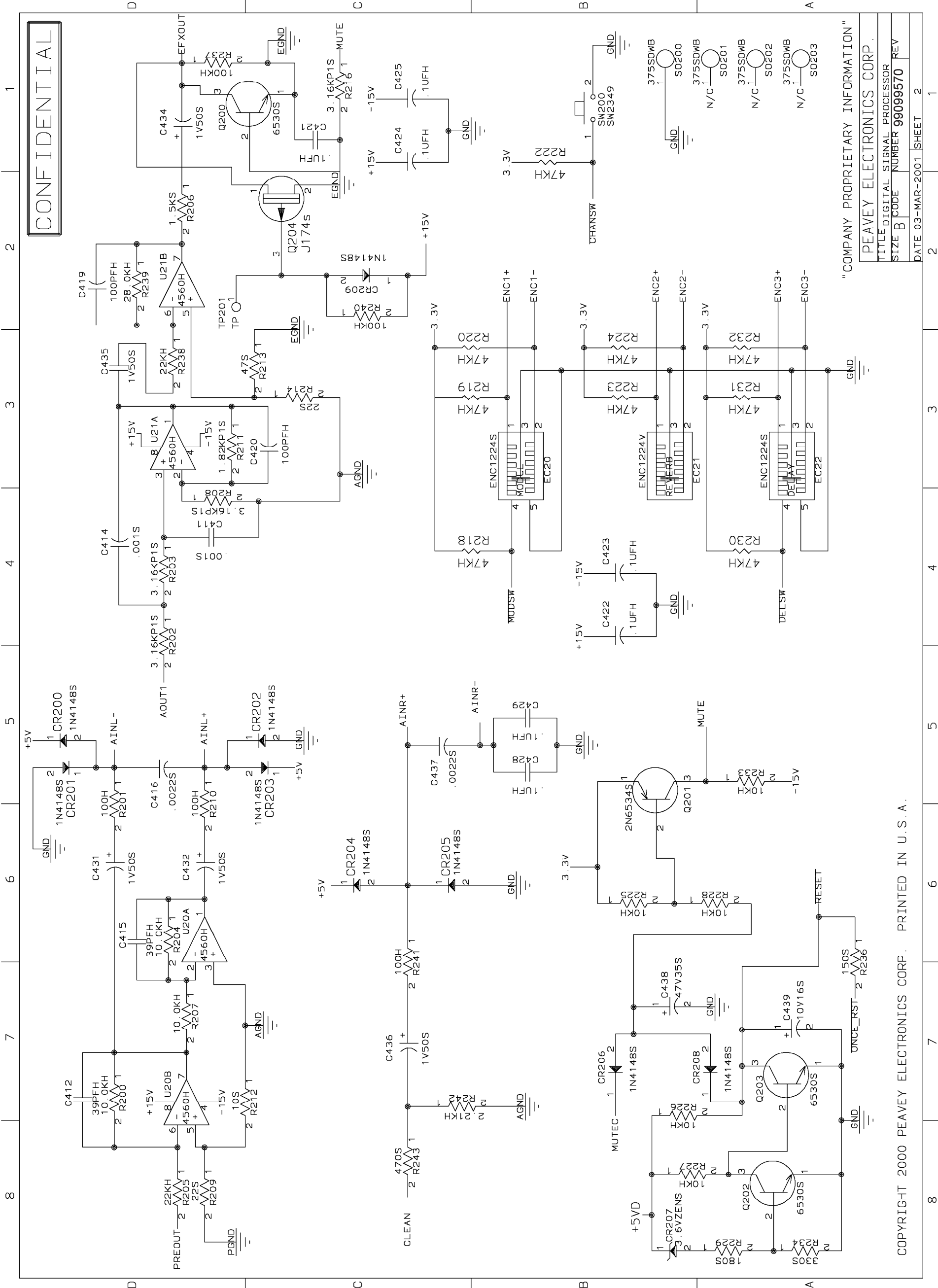
PROGRAM AND NONVOLATILE DATA THRU-HOLE PART FOR DEVELOPMENT  
BOOT I2C ADDRESS IS 0XAA0 NOT STUFFED IN PRODUCTION

NOTE: HDR100 IS ON SOLDER SIDE

"COMPANY PROPRIETARY INFORMATION"

PEAVEY ELECTRONICS CORP.  
TITLE: TRANSISTUBE EFX 112 - DSP  
SIZE: B CODE NUMBER: 99099570 REV  
DATE: 07-JUN-2001 SHEET 1

CONFIDENTIAL



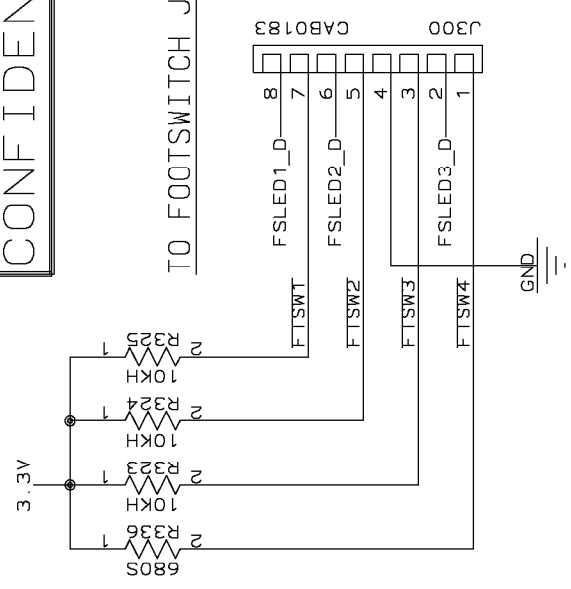
"COMPANY PROPRIETARY INFORMATION"  
PEAVEY ELECTRONICS CORP.  
TITLE DIGITAL SIGNAL PROCESSOR  
SIZE B CODE NUMBER 99099570 REV  
DATE 03-MAR-2001 SHEET 2

COPYRIGHT 2000 PEAVEY ELECTRONICS CORP. PRINTED IN U.S.A.

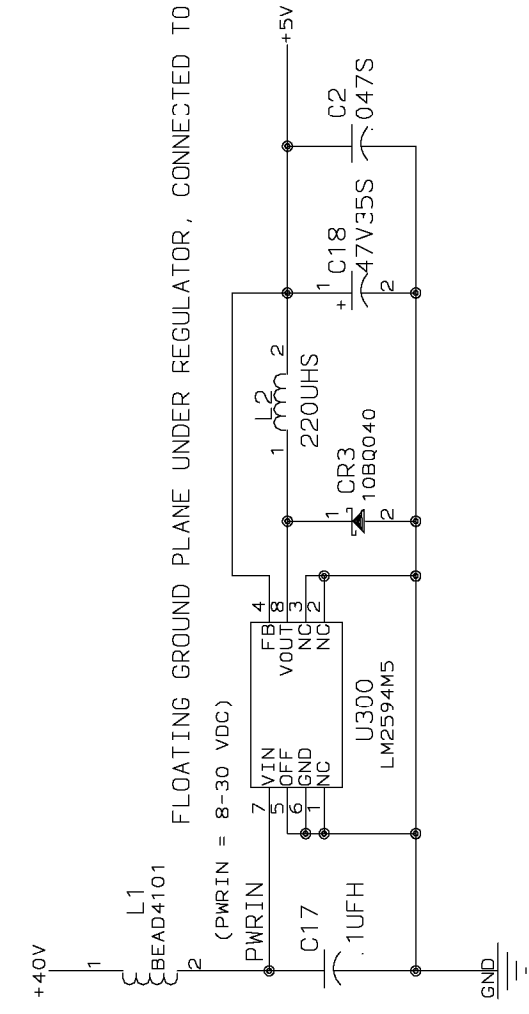


**CONFIDENTIAL**

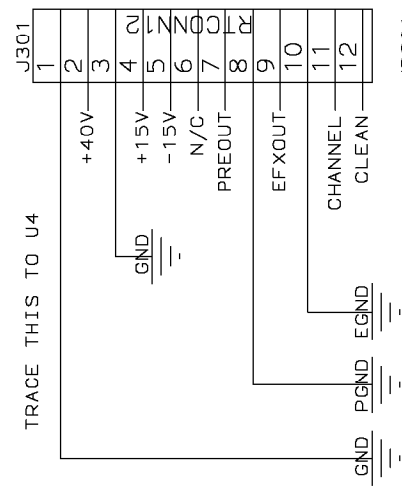
TO FOOTSWITCH JACK



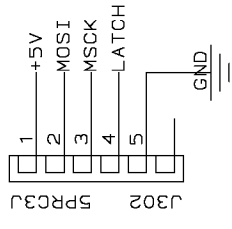
FLOATING GROUND PLANE UNDER REGULATOR, CONNECTED TO S0202



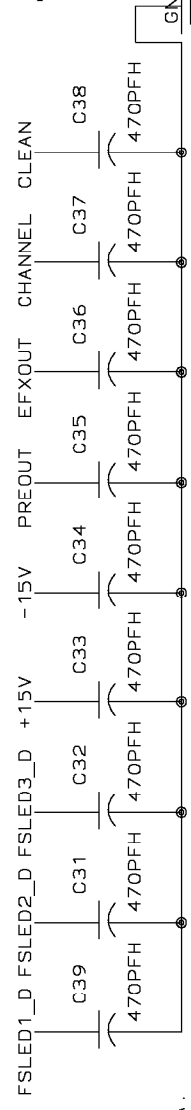
TO PREAMP/POWER BOARDS



TO LED BOARD



THESE CAPS SHOULD GO VERY CLOSE TO CONNECTORS AND DIRECTLY TO GND PLANE

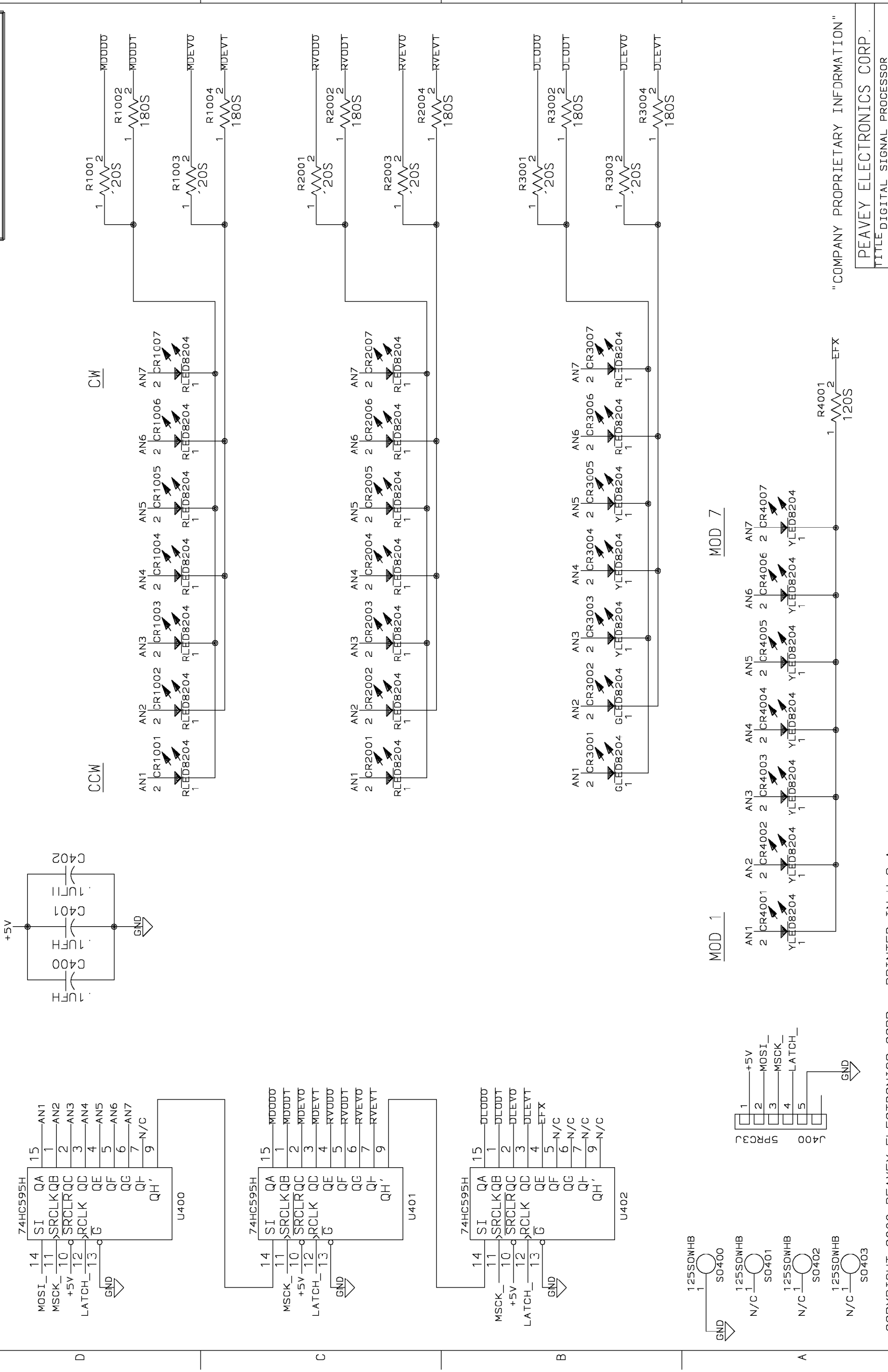


"COMPANY PROPRIETARY INFORMATION"

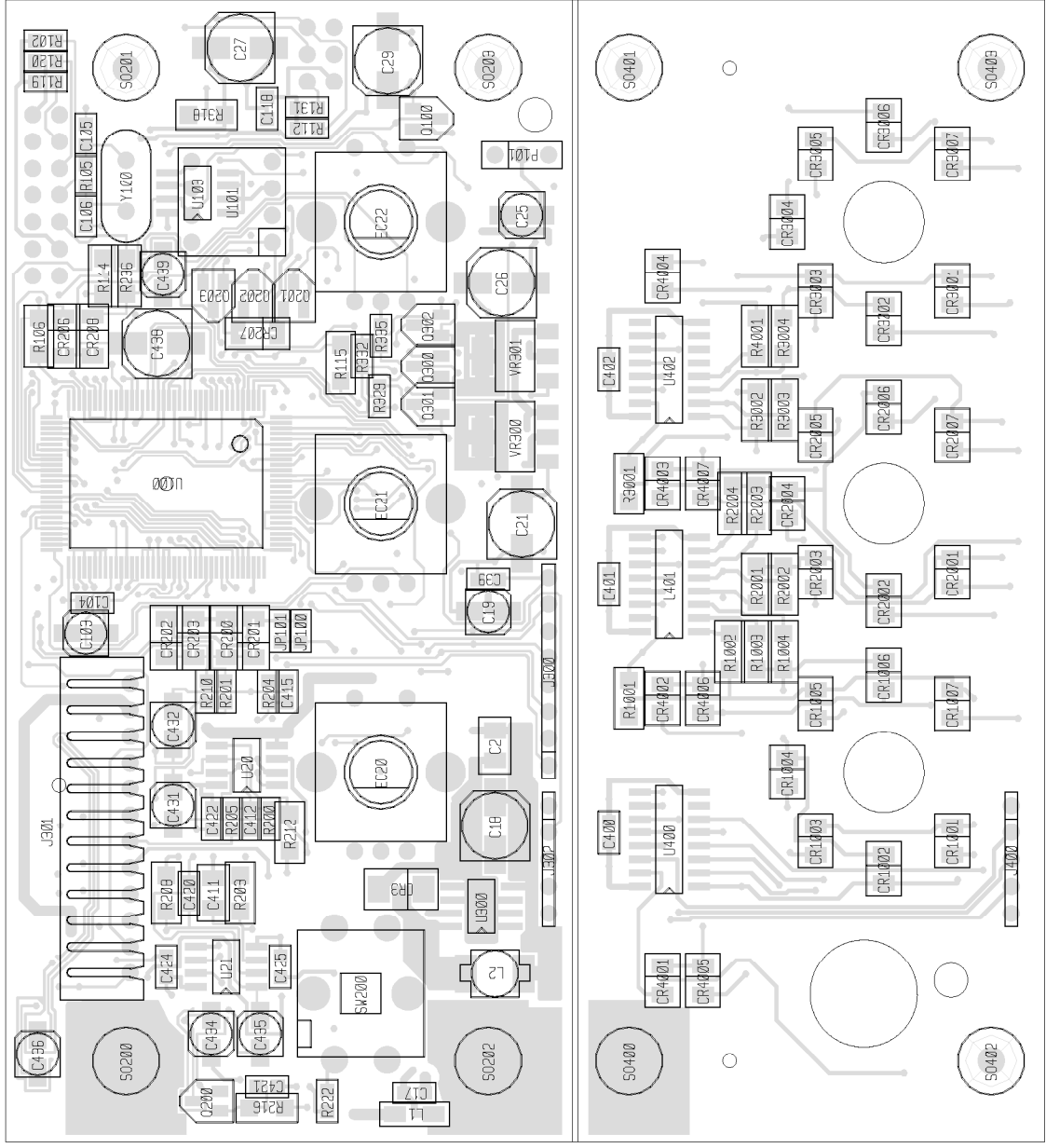
PEAVEY ELECTRONICS CORP.  
TITLE DIGITAL SIGNAL PROCESSOR  
SIZE B CODE NUMBER 99099570 REV

8 7 6 5 4 3 2 1

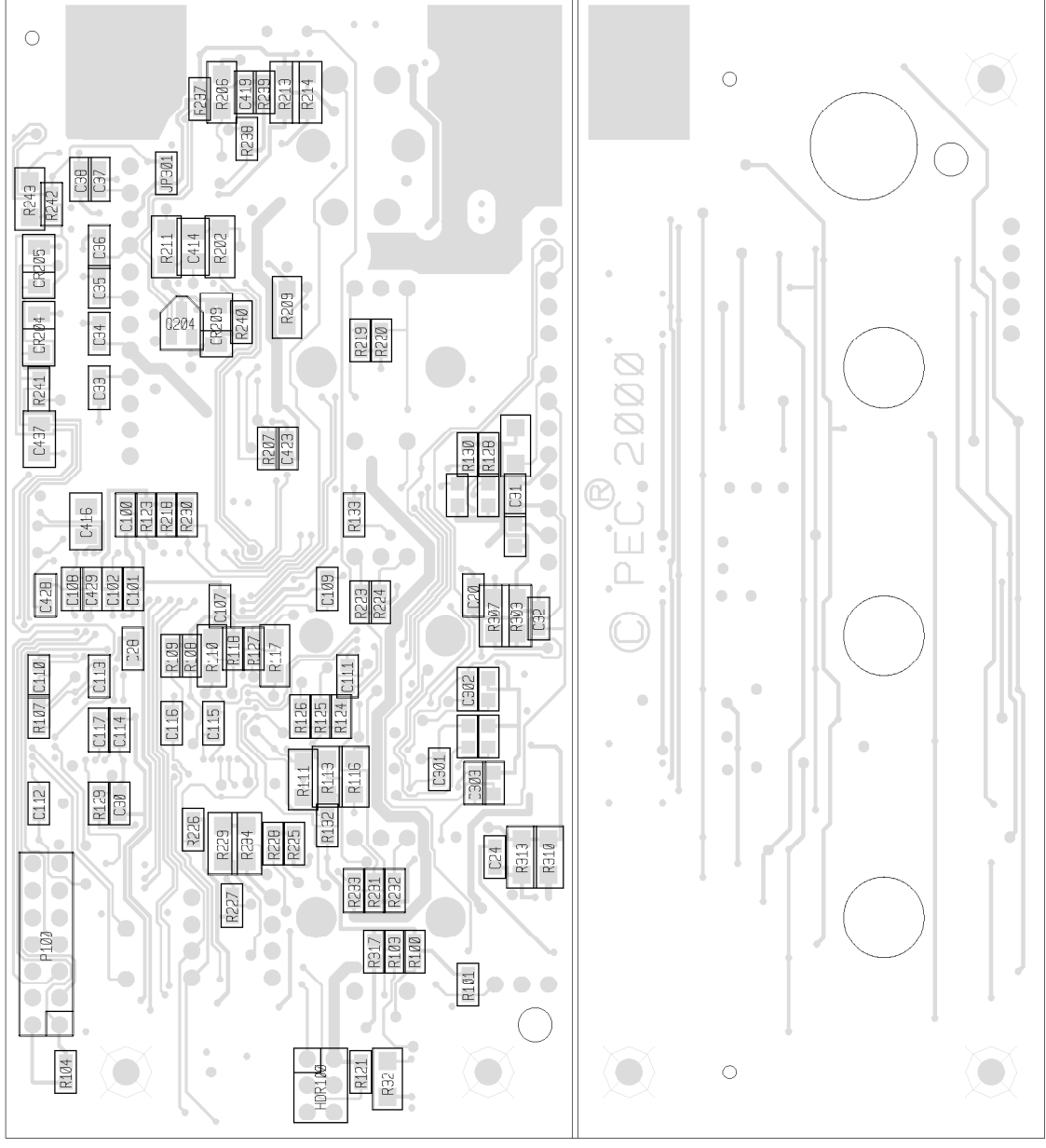
CONFIDENTIAL



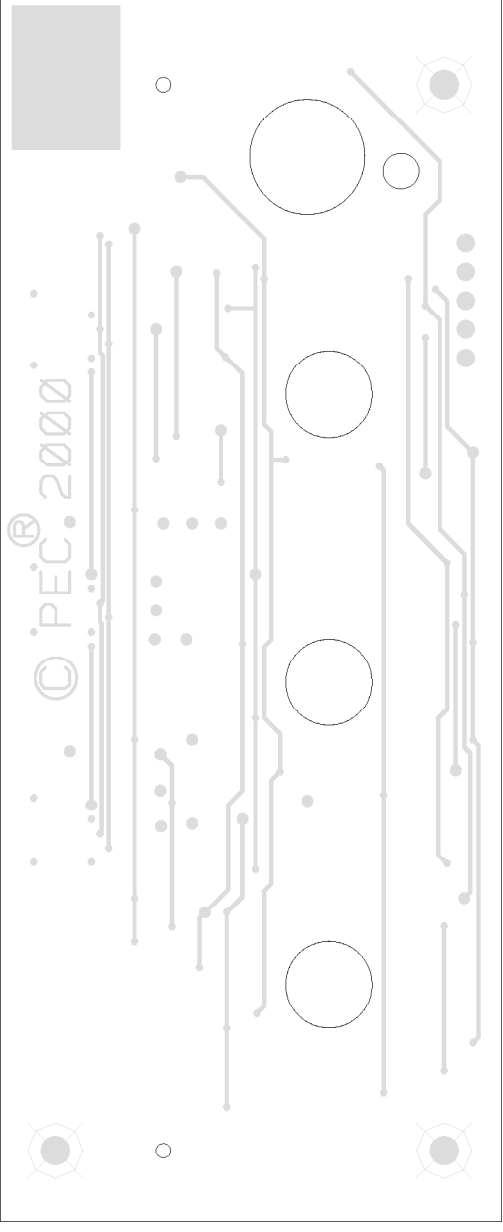
# PRIMARY SIDE VIEW



# SECONDARY SIDE VIEW



# EFFECTS DIGITAL BOARD



BILL OF MATERIALS REPORT

-----

BOARD NAME: EFFECTS DIGITAL REPORT DATE: 11JUN01  
 ASSEMBLY LEVEL NUMBER: 99099570  
 PROJECT NUMBER: P0000078

CBDS PART PART DESCRIPTION AND

\*\* QTY. NAME VALUE NUMBER DEVICE DESIGNATIONS \*\*\*\*\*  
 \*\*\*\*\*

1	72100668	72100668	PCB	
2	.001S	.001	70300036 .001MF X7R 50V 10% SMT1206	
			C411, C414	
2	.0022S	.0022	70300019 .0022MF-X7R-----10%--SMT	
			C416, C437	
1	.047S	.047	70300027 .047----SURFACE MNT--1206 PACK	
			C2	
31	.1UFH	.1UF	70300085 .1MF--Z5U--50V--20%--SMT--805	
			C17, C20, C24, C28, C30, C100, C101, C102, C104, C107, C108, C109, C110, C111, C112, C113, C114, C115, C116, C117, C118, C409, C401, C402, C421, C422, C423, C424, C425, C428, C429	
1	1.5KS	1.5K	70200128 1.5K--1/8W--1%--smt	
			R206	
1	1.82KPS	1.82K	70200157 1.82K--1/8W--1%--SMT1206	
			R211	
3	10.0KH	10.0K	70200174 10K--1/10W--1%--SMT--805	
			R200, R204, R207	
3	100H	100	70200171 100--1/10W--5%--SMT--805	
			R201, R210, R241	
2	100KH	100K	70200178 100K--1/10W--5%--SMT--805	
			R237, R240	
2	100PFH	100PF	70300088 100PF--NPO--50V--5%--SMT--805	
			C419, C420	
1	10BQ040	10BQ040	70418219 10BQ040 SCHOTTKY DIODE, 40V, 1A, SMT	
			CR3	
33	10KH	10K	70200168 10K--1/10W--5%--SMT--805	
			R100, R102, R103, R104, R107, R108, R109, R120, R121, R128, R129, R130, R131, R132, R133, R225, R226, R227, R228, R233, R317, R323, R324, R325, R335	

R109, R112, R118, R119, R120, R121, R123, R124, R125, R126, R127, R128, R129, R130, R131, R132, R133, R225, R226, R227, R228, R233, R317, R323, R324, R325, R335

2 10PFH 10PF 70300086 10PF--NPO--50V--5%--SMT--805

C105, C106

2 10S 10 70200011 10----1/8W--5%--smt

R106, R212

2 10V16S 70300080 70300080 10MFD--+/20%--16VDC--EL--SMT

C103, C439

1 12.288 12.288 70800029 12.288 MHZ, H.C.-49S CRYSTAL

Y100

2 120PIS 120PI 70200076 120---1/8W--1%--SMT 1206

R303, R310

7 120S 120 70200076 120---1/8W--1%--SMT 1206

R1001, R1003, R2001, R2003, R3001, R3003, R4001

4 125SOWHB 70901892 70901892 .125 X .250 HOLLOW SWAGE SPACER - BRASS

SO400, SO401, SO402, SO403

1 14DRHDR 73717040 73717040 CONN 14-PIN 0.100 H

P100

1 150S 150 70200014 150---1/8W--5%--smt

R236

7 180S 180 70200015 180---1/8W--5%--smt

R229, R1002, R1004, R2002, R2004, R3002, R3004

1 1KH 1K 70200172 1K--1/10W--5%--SMT--805

R101

1 1MEGH 1MEG 70200177 1MEG--1/10W--5%--SMT--805

R105

9 1N4148S 4148 70418026 1N4148 (LL34) DIODE SMT

CR200, CR201, CR202, CR203, CR204, CR205, CR206, CR208, CR209

7 1V50S 70300081 1MFD--+/20%--50VDC--EL--SMT

C19, C25, C431, C432, C434, C435, C436

4 2.21KH 2.21K 70200267 2.21K--1/10W--1%--SMT--0805

R242, R326, R329, R332

1 200PIS 200PI 70200155 200--1/8W--1%--SMT 1206

R307

1 220UHS 220UH 70800037 220UH INDUCTOR, 200MA, SMT

L2

2 22KH 22K 70200169 22K--1/10W--5%--SMT--805

R205, R238

2 22S 22 70200052 22----1/8W--5%--SMT

R209, R214

1 24C04 24C04 70402774 NM24C04 512 BYTE EEPROM

U101

1 28.0KH 28.0K 70200271 28.0K OHM--1/10--1%--0805--SMT

R239

1 2N6534S 6534 70418033 2N6533/34 PNP (SOT-23) XSISTOR SMT

Q201

4 3.16KPS 3.16KPI 70200158 3.16K 1/8W--1%--SMT 1206

R202, R203, R208, R216

3 3.32KH 3.32K 70200202 3.32K OHM 1/10W 1% 805 SMT

R327, R330, R333

1 3.6VZENS 3.6VZEN 70418028 RLZ5227B 3.6V (LL34) ZENER SMT

CR207

1 330S 330 70200071 330--1/8W--5%--SM

R234

4 375SOWB 70900779 70900779 SPACER, 3/8,R(#4), 187 SWAGE BRASS

SO200, SO201, SO202, SO203

5 39PFH 39PF 70300087 39PF--NPO--50V--5%--SMT--805

C301, C302, C303, C412, C415

1 3SRHDR 73717052 73717052 3-ST-SQ-P-FL-HD-.100

P101

2 4.7S 4.7 70200041 4.7--1/8W--5%--SMT

R318, R322

2 4560H 4560 70418053 4560 DL OP AMP SOIC-8

U20, U21

9 470PFH 470PF 70300090 470PF--NPO--50V--5%--SMT--805

C31, C32, C33, C34, C35, C36, C37, C38,

C39 CR3061, CR3002

1 470S 470 70200046 470--1/8W--5%---SMT

9 47KH 47K 70200170 47K--1/10W--5%--SMT--805

R243

R218, R219, R220, R222, R223, R224,  
R230, R231, R232

8 47S 47 70200012 47----1/8W--5%---smt

R110, R111, R113, R114, R115, R116,  
R117, R213

6 47V35S 70300079 47MFD--+/20%--35VDC--EL--SMT

C18, C21, C26, C27, C29, C438

1 51.1PIS 51.1P1 70200107 51.11/8W--1%---SMT 1206

R313

2 5PRC3J 5PRC3J 70600037 5C PRE-TIN .100 3" JMPR

J302, J400

7 6530S 6530 70418191 6530 SOT-23

Q100, Q200, Q202, Q203, Q300, Q301, Q302

1 680S 680 70200085 680--1/8W--1%---smt

R336

1 6DRHDR 6DRHDR 73717150 6 PIN D/R HDR,100,GOLD,230 PINS

HDR100

3 74HC595H 74HC595 70418172 8-B SHFT REG W/TRI-ST OP (SO16) SMT

U400, U401, U402

1 BEAD4101 FB 70504101 BLM41A01-PT FERRITE CHIP

L1

1 CAB0183 70600183 70600183 8C--10"--IDC CABLE ASSM.--100 CTRS

J300

1 CS4826 CS4826 70418304 SOUNDGARDEN JR. DSP/CODEC, SMT

U100

1 EFX128 EFX128 70418316 128 KBIT EEPROM PROGRAMMED FOR EFX AMPS  
SMT

U103

2 ENC1224S ENC1224S 71322415 12MM 24-DETENT VERTICAL ENCODER W/SWITCH

EC20, EC22

1 ENC1224V ENC1224V 71322414 12MM 24-DETENT VERTICAL REO122 ENCODER

EC21

2 GLED8204 70418213 70418213 GREEN SMT LED, 2MM X 3MM

1 J174S J174 70418139 J-174 P-CHNL JFET 30V SOT-23

CR3061, CR3002

3 JMPH JMP 70200164 SURFACE MOUNT JUMPER 805

Q204

JP100, JP101, JP301

1 LM2594M5 LM2594M5 70418220 LM2594M-5.0,5V STEP-DOWN REGULATOR, SMT

U300

2 LM317S LM317 70418303 LM317 ADJUSTABLE REGULATOR SMT (TO-223)

VR300, VR301

16 RLED8204 70418204 70418204 RED SMT LED, 2MM X 3MM

CR1001, CR1002, CR1003, CR1004, CR1005,  
CR1006, CR1007, CR2001, CR2002, CR2003,  
CR2004, CR2005, CR2006, CR2007, CR3006,  
CR3007

1 R1CONN12 73716723 73716723 .098" WB/RA HEADER 12PIN SHROUDED

J301

1 SW2349 SW2349 71322349 SWITCH, SPST MOM. PUSH

SW200

7 TP XXXXXXXXXX XXXXXXXXXX

TP100, TP101, TP102, TP103, TP104,  
TP105, TP201

10 YLED8204 70418214 70418214 YELLOW SMT LED, 2MM X 3MM

CR3003, CR3004, CR3005, CR4001, CR4002,  
CR4003, CR4004, CR4005, CR4006, CR4007

\*\*\*\*\*  
\* END OF BILL OF MATERIALS REPORT \*  
\*\*\*\*\*