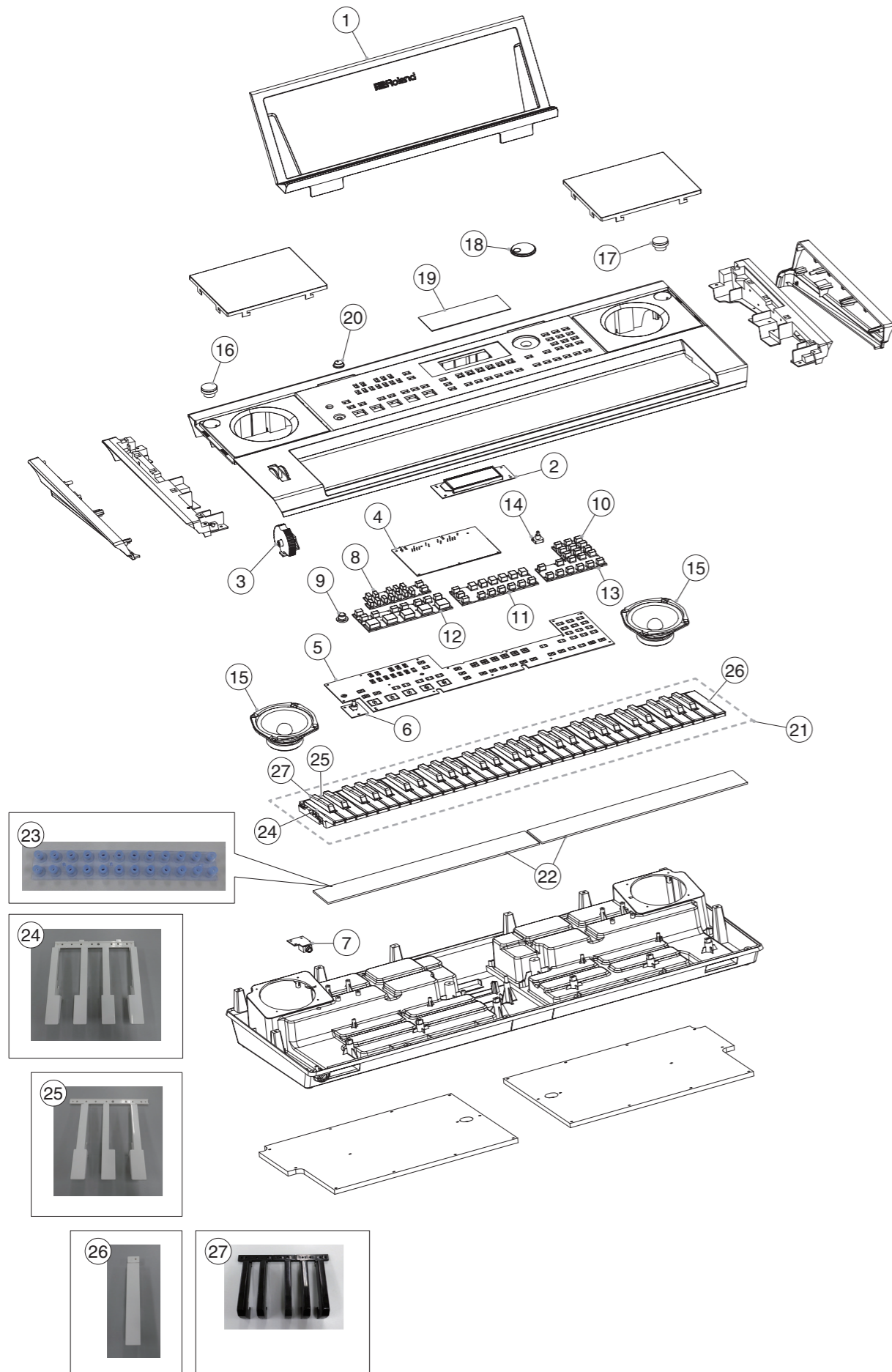


Exploded View



Exploded View Parts List

No.	Part Code	Part Name	Description	Q'ty
1	17042342	MUSIC REST		1
2	17042343	LCD DISPLAY BOARD		1
3	17042344	ROTATE WHEEL ASSY		1
4	17042345	MAIN BOARD ASSY		1
5	17042346	FUNCTION BOARD ASSY		1
6	17042347	VOLUME BOARD ASSY		1
7	17042348	PHONE BOARD ASSY		1
8	17042349	RUBBER SWITCH	14P	1
9	17042350	RUBBER SWITCH		1
10	17042351	RUBBER SWITCH	9P	1
11	17042352	RUBBER SWITCH	11P	1
12	17042353	RUBBER SWITCH	15P	1
13	17042354	RUBBER SWITCH	13P	1
14	17042355	ENCODER BOARD ASSY		1
15	17042356	SPEAKER		2
16	17042357	TWEETER SPEAKER	BSQG13-17B13G 550MM	1
17	17042358	TWEETER SPEAKER	BSQG13-17B13G 700MM	1
18	17042359	ENCODER CAP		1
19	17042360	LENS		1
20	17042361	POTENTIOMETER CAP		1
21	17042362	KEYBOARD ASSY		1
22	17042363	KEYSCAN BOARD	H+L WO/RUBBER SW	1
23	17042364	RUBBER SWITCH 13P		5
24	17042365	NATURAL KEY	4-KEY GROUP	5
25	17042366	NATURAL KEY	3-KEY GROUP	5
26	17042367	NATURAL KEY	SINGLE	1
27	17042368	SHARP KEY		5

* When replacing No.23 RUBBER SWITCH 13P for other than the highest position (right end) of the keyboard, cut 1P to change 13P to 12P.

* When parts except above are necessary, replace the product itself with a new one.

Accessories Parts List

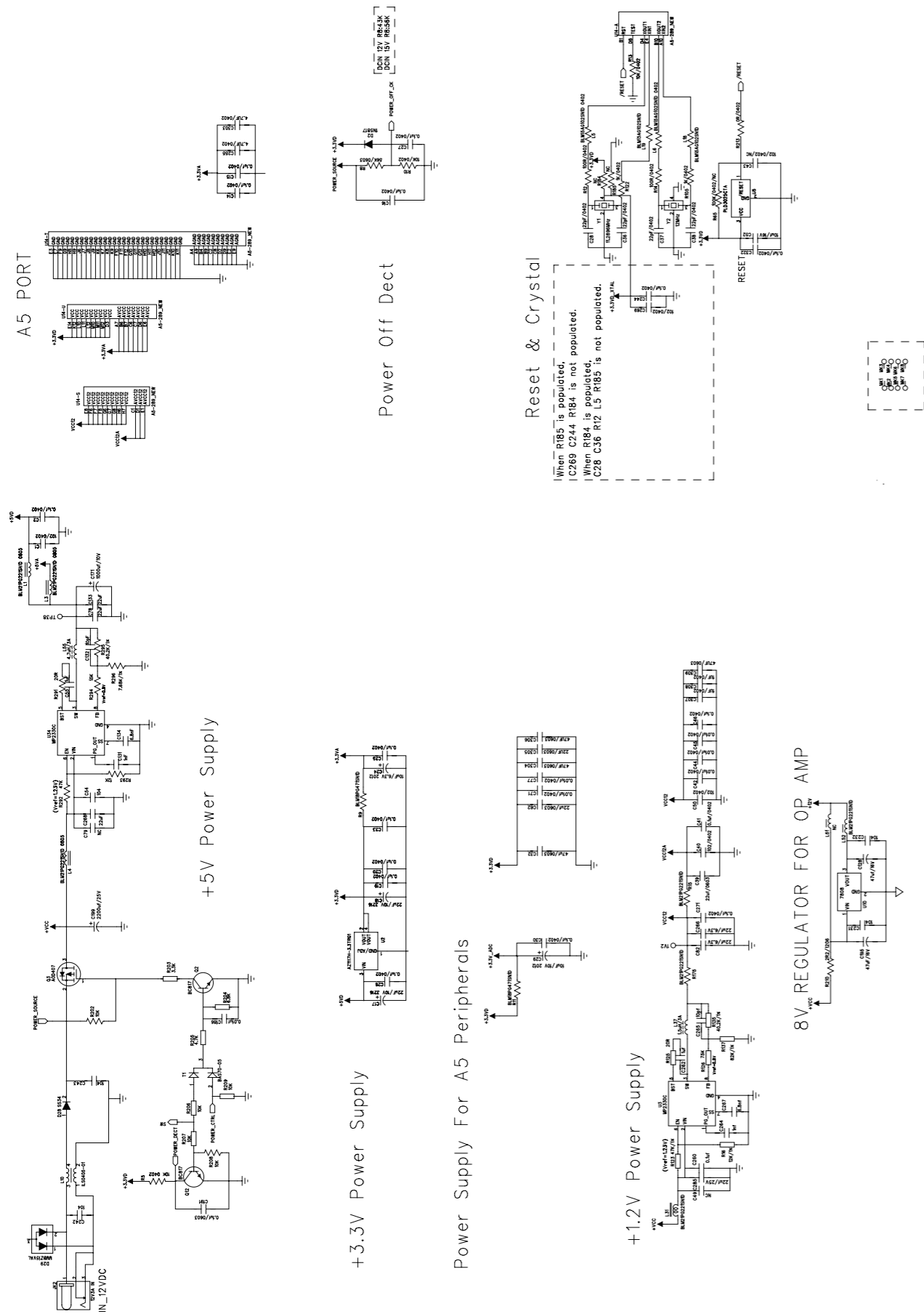
Part Code	Part Name	Description	Q'ty
17042342	MUSIC REST		1
17042369	OWNER'S MANUAL	MULTILANGUAG	1
17042370	OWNER'S MANUAL	JAPANESE	1
17042371	OWNER'S MANUAL	CHINESE	1
17042372	AC ADAPTOR	GQ36-120300-AX	1
17042380	AC ADAPTOR	GQ36-120300-ABI	1
17042373	AC ADAPTOR PLUG	SAA	1
17042374	AC ADAPTOR PLUG	BS	1
17042375	AC ADAPTOR PLUG	CE	1
17042376	AC ADAPTOR PLUG	UL PSE	1
17042381	AC ADAPTOR PLUG	CCC	1

Voltage Code	Voltage Specification	AC Adaptor		AC adaptor Plug				
		17042372	17042380	17042375	17042374	17042376	17042373	17042381
19	100							
		Accessory		✓	✓	✓	✓	
26	117BL	Accessory		✓	✓	✓	✓	
36	230IN	Accessory	✓					
65	220CN	Accessory						
99	EXP	Accessory		✓	✓	✓	✓	✓

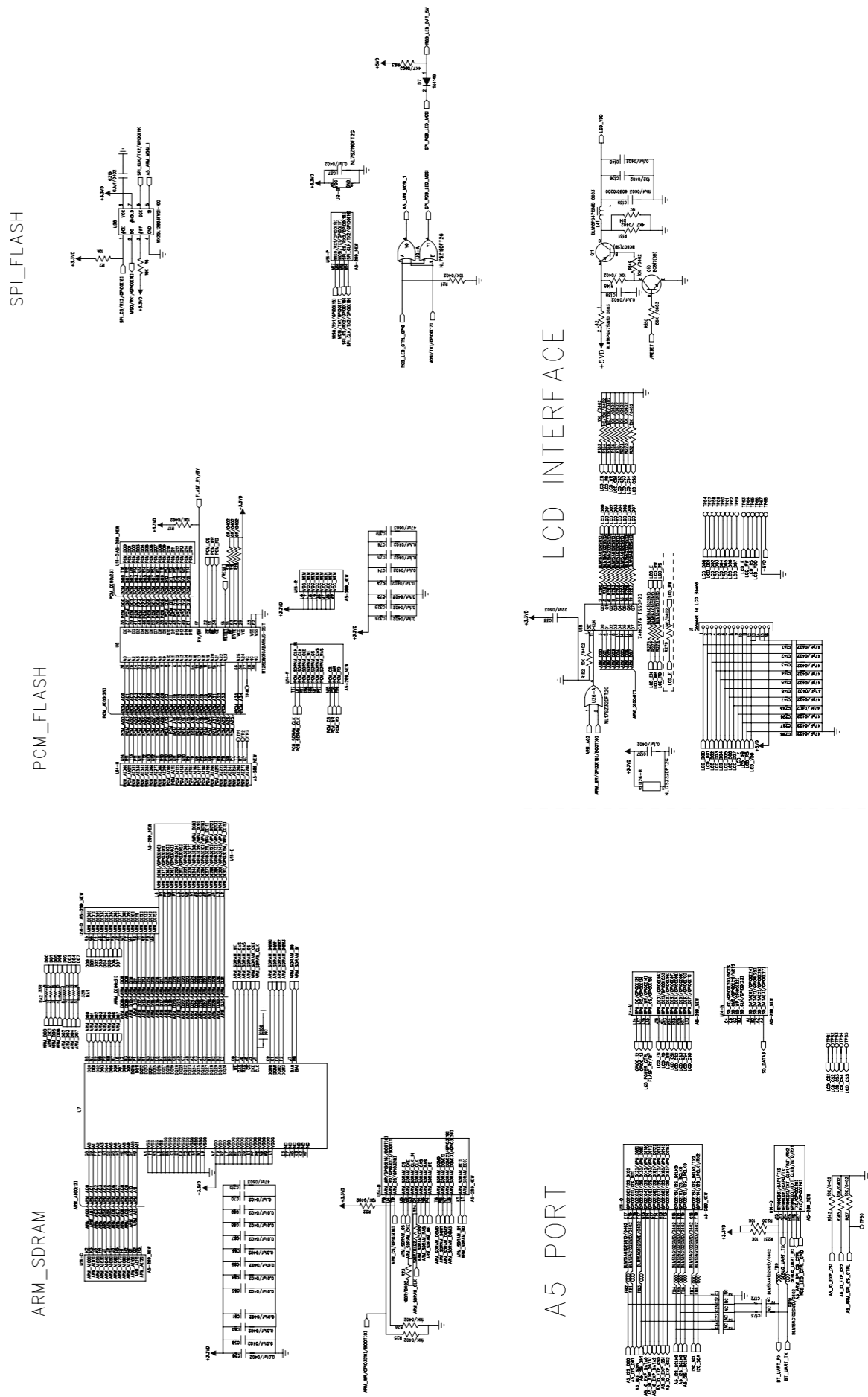
* The AC adaptor and the AC adaptor plug are included as the accessories in accordance with the voltage code (destination) of the product.

* Select the AC adaptor plug that fits the type of AC outlet used in each region, and slide it into the grooves of the AC adaptor unit.

Circuit Diagram (Main Board: 1/5)

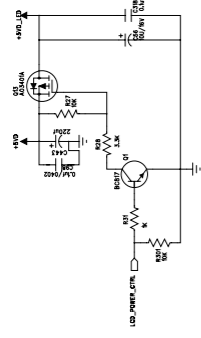


Circuit Diagram (Main Board: 2/5)

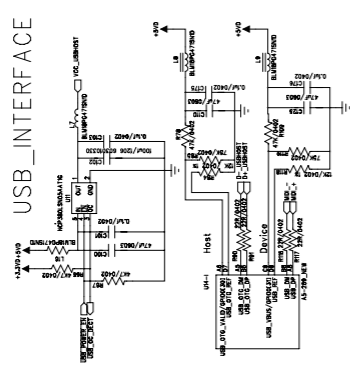


Circuit Diagram (Main Board: 3/5)

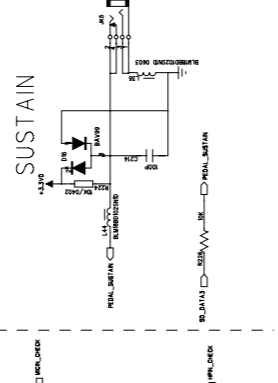
RGB LED CTRL



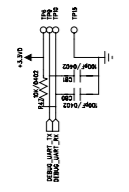
USB_INTERFACE



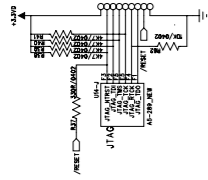
SUSTAIN



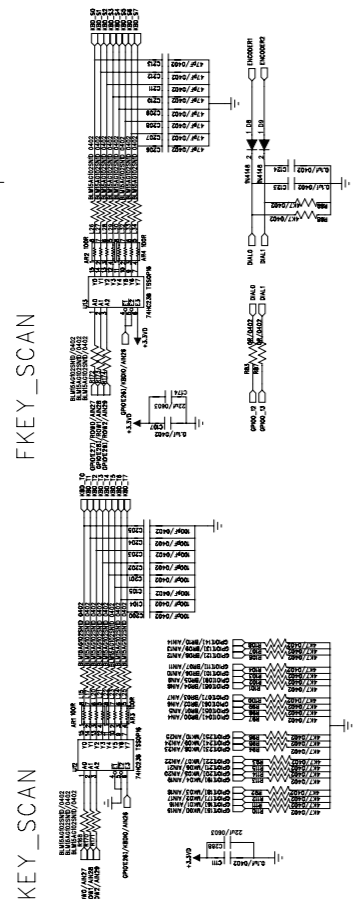
DEBUG



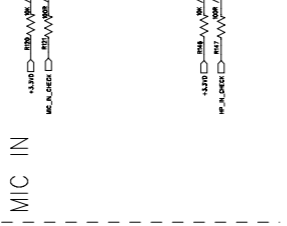
JTAG



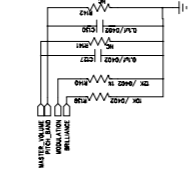
FKEY_SCAN



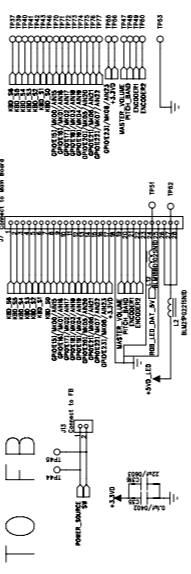
MIC IN



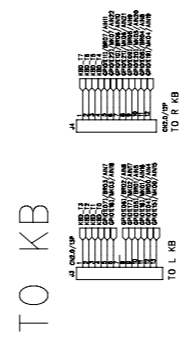
ADC



TO FB



TO KB

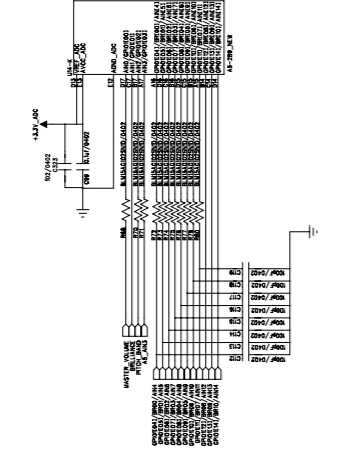
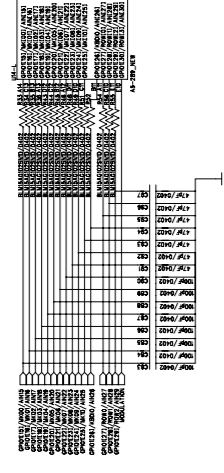


CONFIGURATIONS:

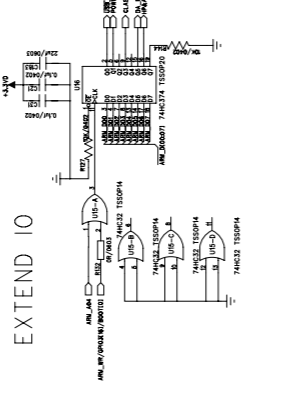
IN ORDER TO REVIEW THESE DIODES PLACE ON TOP LAYER

DI3	DI4	DI5	DI6	DI8	DI9	DI10	DI11	DI12	DI13
0	0	0	0	0	0	0	0	0	0
1	0	0	0	0	0	0	0	0	0
0	1	0	0	0	0	0	0	0	0
0	0	1	0	0	0	0	0	0	0
0	0	0	1	0	0	0	0	0	0
0	0	0	0	1	0	0	0	0	0
0	0	0	0	0	1	0	0	0	0
0	0	0	0	0	0	1	0	0	0
0	0	0	0	0	0	0	1	0	0
0	0	0	0	0	0	0	0	1	0
0	0	0	0	0	0	0	0	0	1

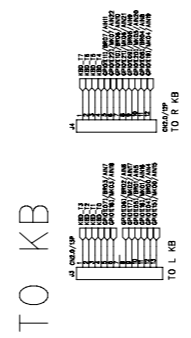
A5_KEY_PORT



EXTEND IO

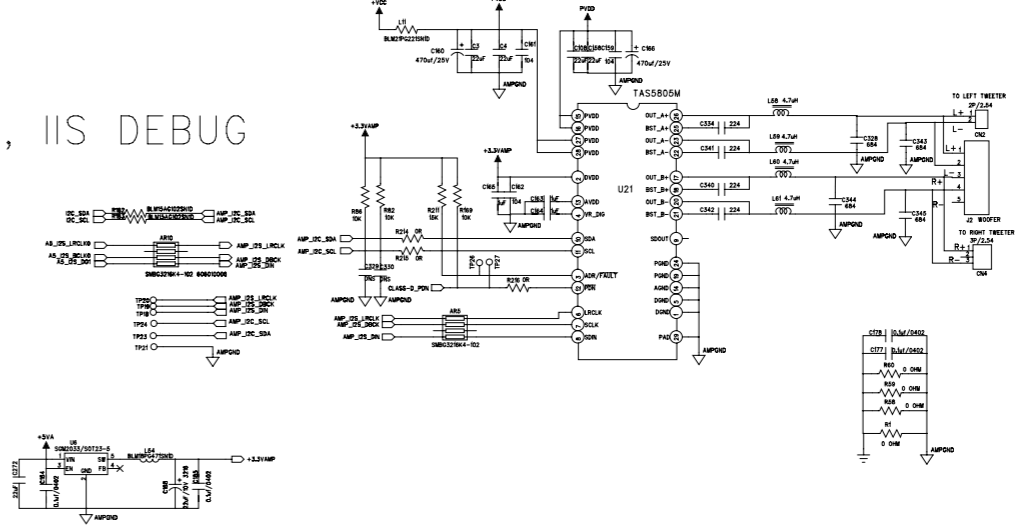


TO L KB

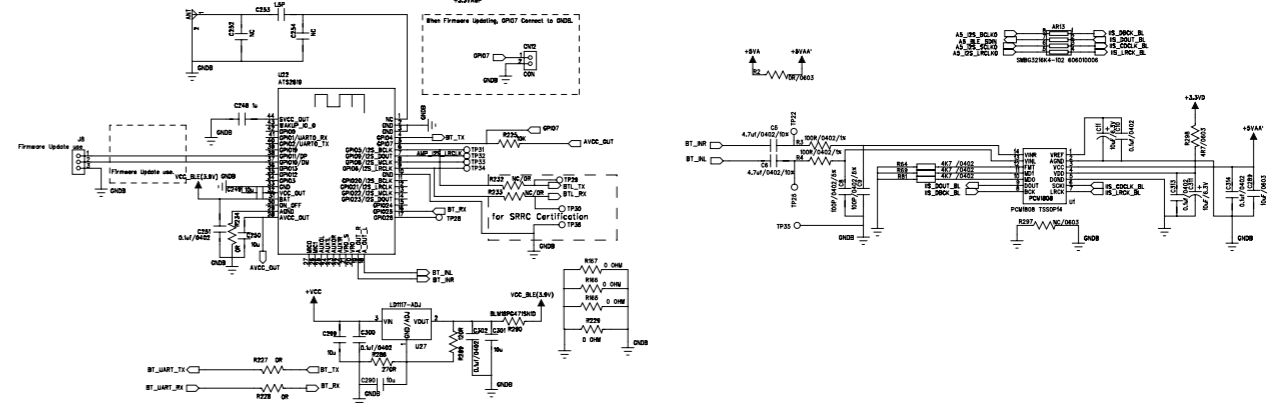


Circuit Diagram (Main Board: 4/5)

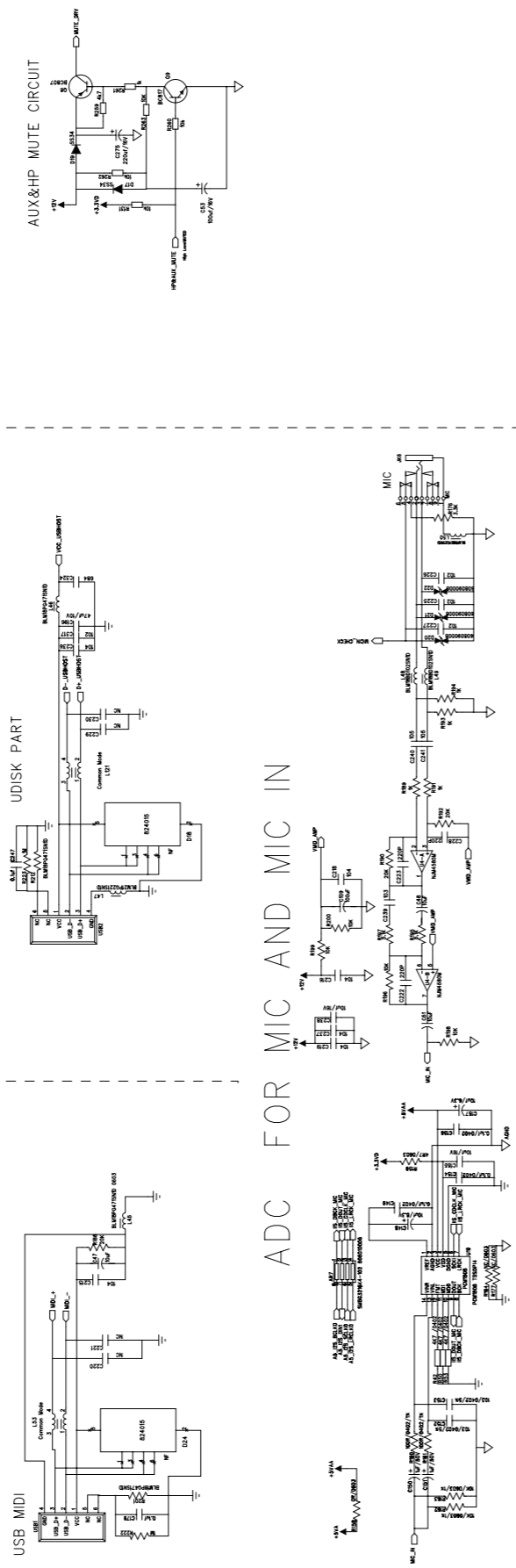
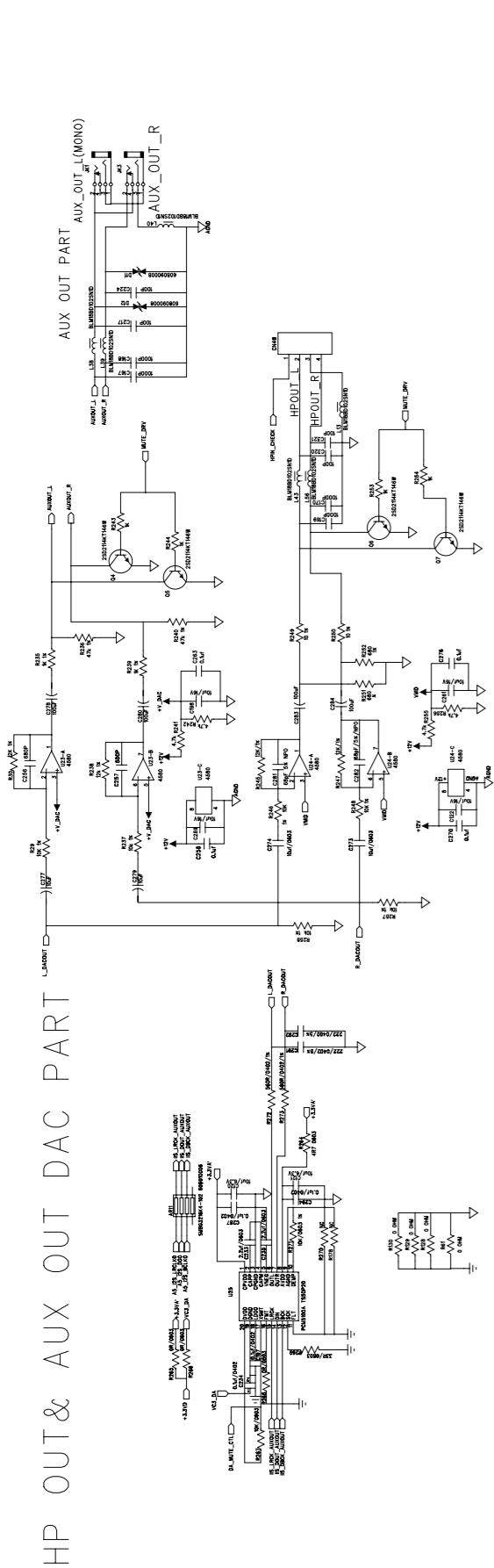
I2C, IIS DEBUG



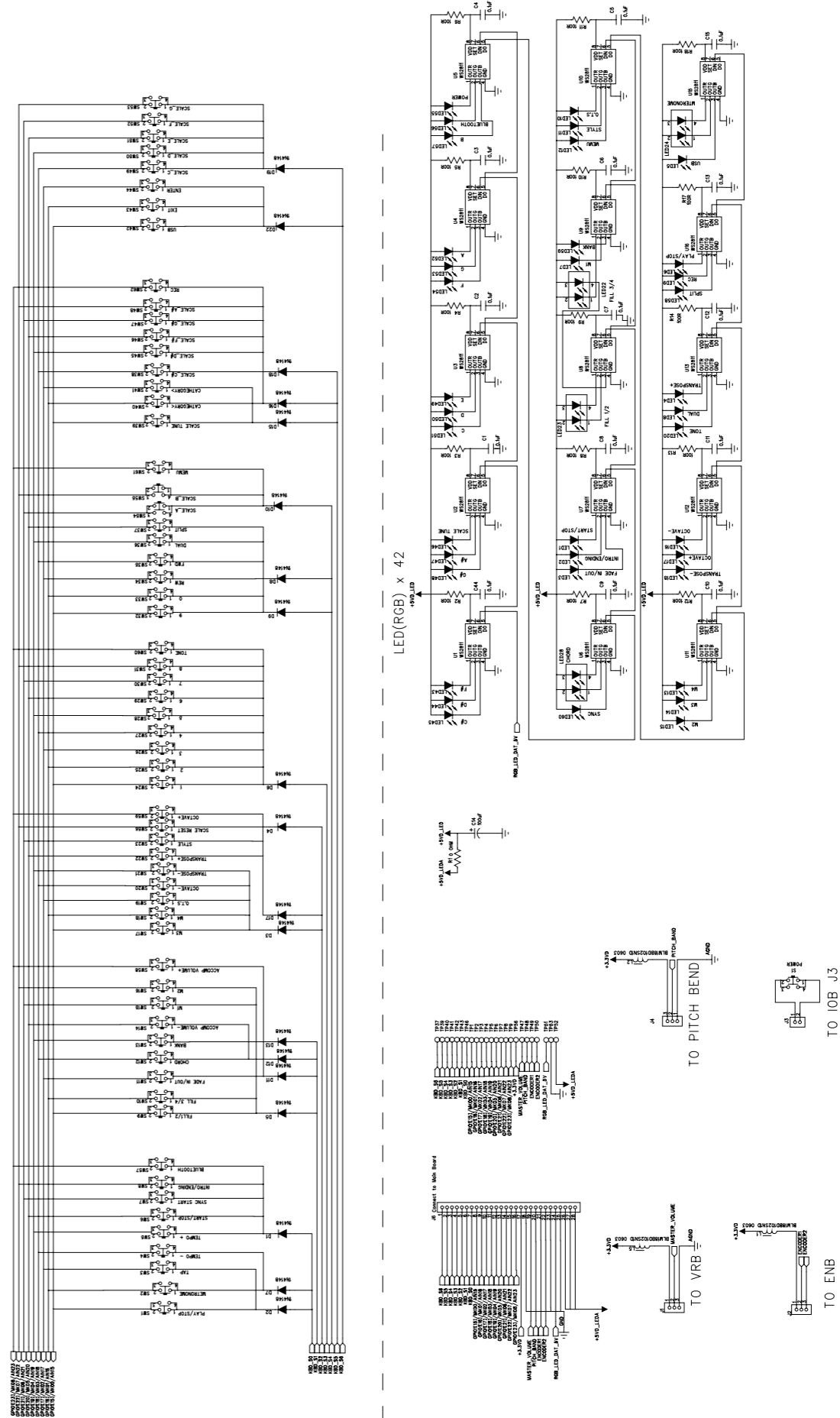
ATS2819 Bluetooth AUDIO



Circuit Diagram (Main Board: 5/5)



Circuit Diagram (Function Board)



Circuit Diagram (LCD Board)

