

GUITAR PRE-AMPLIFIER

DG100-212

SERVICE MANUAL



■ CONTENTS

SPECIFICATIONS.....	3
PANEL LAYOUT.....	4
CIRCUIT BOARD LAYOUT	5
BLOCK DIAGRAM.....	6
DISASSEMBLY PROCEDURE	7
LSI PIN DESCRIPTION.....	9
IC BLOCK DIAGRAM	12
CIRCUIT BOARDS.....	14
TEST PROGRAM.....	18
ERROR MESSAGES.....	21
MIDI IMPLEMENTATION CHART	22
PARTS LIST	
OVERALL CIRCUIT DIAGRAM	

IMPORTANT NOTICE

This manual has been provided for the use of authorized Yamaha Retailers and their service personnel. It has been assumed that basic service procedures inherent to the industry, and more specifically Yamaha Products, are already known and understood by the users, and have therefore not been restated.

WARNING: Failure to follow appropriate service and safety procedures when servicing this product may result in personal injury, destruction of expensive components and failure of the product to perform as specified. For these reasons, we advise all Yamaha product owners that all service required should be performed by an authorized Yamaha Retailer or the appointed service representative.

IMPORTANT: This presentation or sale of this manual to any individual or firm does not constitute authorization, certification, recognition of any applicable technical capabilities, or establish a principal-agent relationship of any form.

The data provided is believed to be accurate and applicable to the unit(s) indicated on the cover. The research engineering, and service departments of Yamaha are continually striving to improve Yamaha products. Modifications are, therefore, inevitable and changes in specification are subject to change without notice or obligation to retrofit. Should any discrepancy appear to exist, please contact the distributor's Service Division.

WARNING: Static discharges can destroy expensive components. Discharge any static electricity you body may have accumulated by grounding yourself to the ground buss in the unit (heavy gauge black wires connect to this buss.)

IMPORTANT: Turn the unit OFF during disassembly and parts replacement. Recheck all work before you apply power to the unit.

LITHIUM BATTERY HANDLING

This product uses a lithium battery for memory back-up.

WARNING: Lithium batteries are dangerous because they can be exploded by improper handling. Observe the following precautions when handling or replacing lithium batteries.

- Leave lithium battery replacement to qualified service personnel.
- Always replace with batteries of the same type.
- When installing on the PC board by soldering, solder using the connection terminals provided on the battery cells.
- Never solder directly to the cells. Perform the soldering as quickly as possible.
- Never reverse the battery polarities when installing.
- Do not short the batteries.
- Do not attempt to recharge these batteries.
- Do not disassemble the batteries.
- Never heat batteries or throw them into fire.

ADVARSEL!

Lithiumbatteri-Eksplosionsfare ved fejlagtig håndtering. Udskiftning må kun ske med batteri af samme fabrikat og type. Levér det brugte batteri tilbage til leverandøren.

WARNING

Explosionsfara vid felaktigt batteribyte.

Använd samma batterityp eller en ekvivalent typ som rekommenderas av apparattillverkaren.

Kassera använt batteri enligt fabrikantens instruktion.

VAROITUS

Paristo voi räjähtää, jos se on virheellisesti asennettu.

Vaihda paristo ainoastaan laitevalmistajan suosittelemaan tyyppiin.

Hävittä käytetty paristo valmistajan ohjeiden mukaisesti.

The following information complies with Dutch Official Gazette 1995. 45; ESSENTIALS OF ORDER ON THE COLLECTION OF BATTERIES.

- Please refer to the disassembly procedure for the removal of Back-up Battery.
- Leest u voor het verwijderen van de backup batterij deze beschrijving.

WARNING: CHEMICAL CONTENT NOTICE!


The solder used in the production of this product contains LEAD. In addition, other electrical/electronic and/or plastic (where applicable) components may also contain traces of chemicals found by the California Health and Welfare Agency (and possibly other entities) to cause cancer and/or birth defects or other reproductive harm.

DO NOT PLACE SOLDER, ELECTRICAL/ELECTRONIC OR PLASTIC COMPONENTS IN YOUR MOUTH FOR ANY REASON WHAT SO EVER!

Avoid prolonged, unprotected contact between solder and your skin! When soldering, do not inhale solder fumes or expose eyes to solder/flux vapor!

If you come in contact with solder or components located inside the enclosure of this product, wash your hands before handling food.

■ WARNING

Components having special characteristics are marked  and must be replaced with parts having specification equal to those originally installed.

SPECIFICATIONS

Digital Section

Complete Digital Signal Processing
 Internal 8 Channel Preset
 Digital Reverb (SPRING, HALL, PLATE)
 Digital Tape Echo
 Speaker Simulator (LINE OUT)

Analog Section

100W Solid State Power Amp
 30 cm Speaker (Celestion Vintage 30) X 2

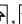

MIDI Function

Receive : Program change, Control Change (No. 7, 91, 94), Bulk In
Transmit : Bulk Out, Merge Out

Controller/Switch

Front Panel : TRIM, OUTPUT, GAIN, MASTER, TREBLE, HIGH MID, LOW MID, BASS (TIME), PRESENCE (FEED BACK), REVERB (LEVEL)

Rear Panel : LINE OUT volume, EFFECT BLEND

Switch : AMP SELECT (LEAD1, LEAD2, DRIVE1, DRIVE2, CRUNCH1, CRUNCH2, CLEAN1, CLEAN2), REVERB, MODE, , , STORE, RECALL

Display

AMP SELECT display LED X 8
 MODE display LED X 3
 REVERB type display X 3
 7 segment LED X 2 digits

Indicator

Trim Level Display LED (Green)
 Trim Clip Display LED (Red)

Connection Jacks

INPUT HIGH/LOW, SPEAKER, EFFECT SEND/RETURN:
 Standard Phone Mono Jack
 LINE OUT: Cannon Jack
 MIDI IN, MIDI OUT: 5 pin DIN

A/D Converter 20 bit

D/A Converter 20 bit

Sampling Frequency 48 kHz

Memory Number 128

Input Level/Impedance

INPUT HIGH: -30dBm (THRU)/1MΩ
 INPUT LOW: -20dBm (THRU)/1MΩ
 EFFECT RETURN: 0dBm/120kΩ

Output Level/Impedance

SPEAKER: 100W RMS/4Ω
 LINE OUT: +4dBm/600Ω
 EFFECT SEND: 0dBm/120kΩ

Power Requirements

U.S. and Canadian models : 120V, 60Hz
 General model : 230V, 50Hz

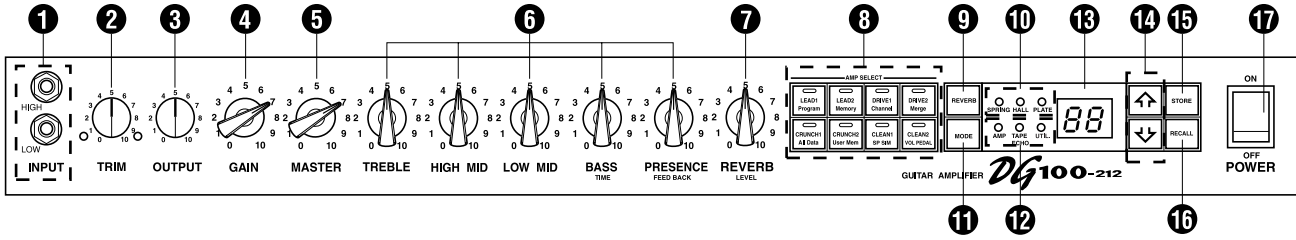
Power Consumption 100W

Dimensions (w/Caster) 712 (W) X 574 (H) X 284 (D) mm
 28" (W) X 22.6" (H) X 11.2" (D)

Weight 33.5 kg (73 lbs 13 oz)

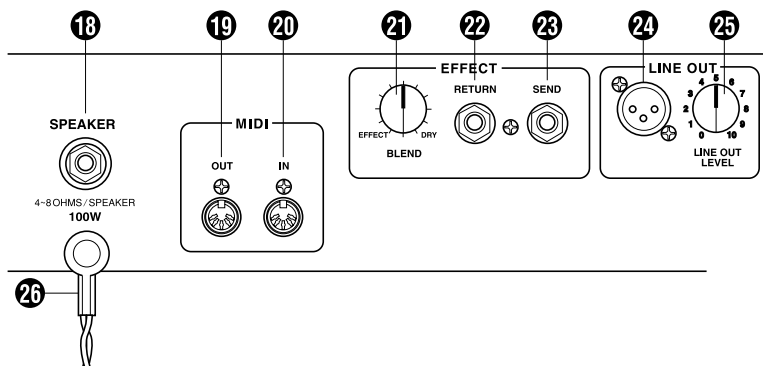
PANEL LAYOUT

• Front panel



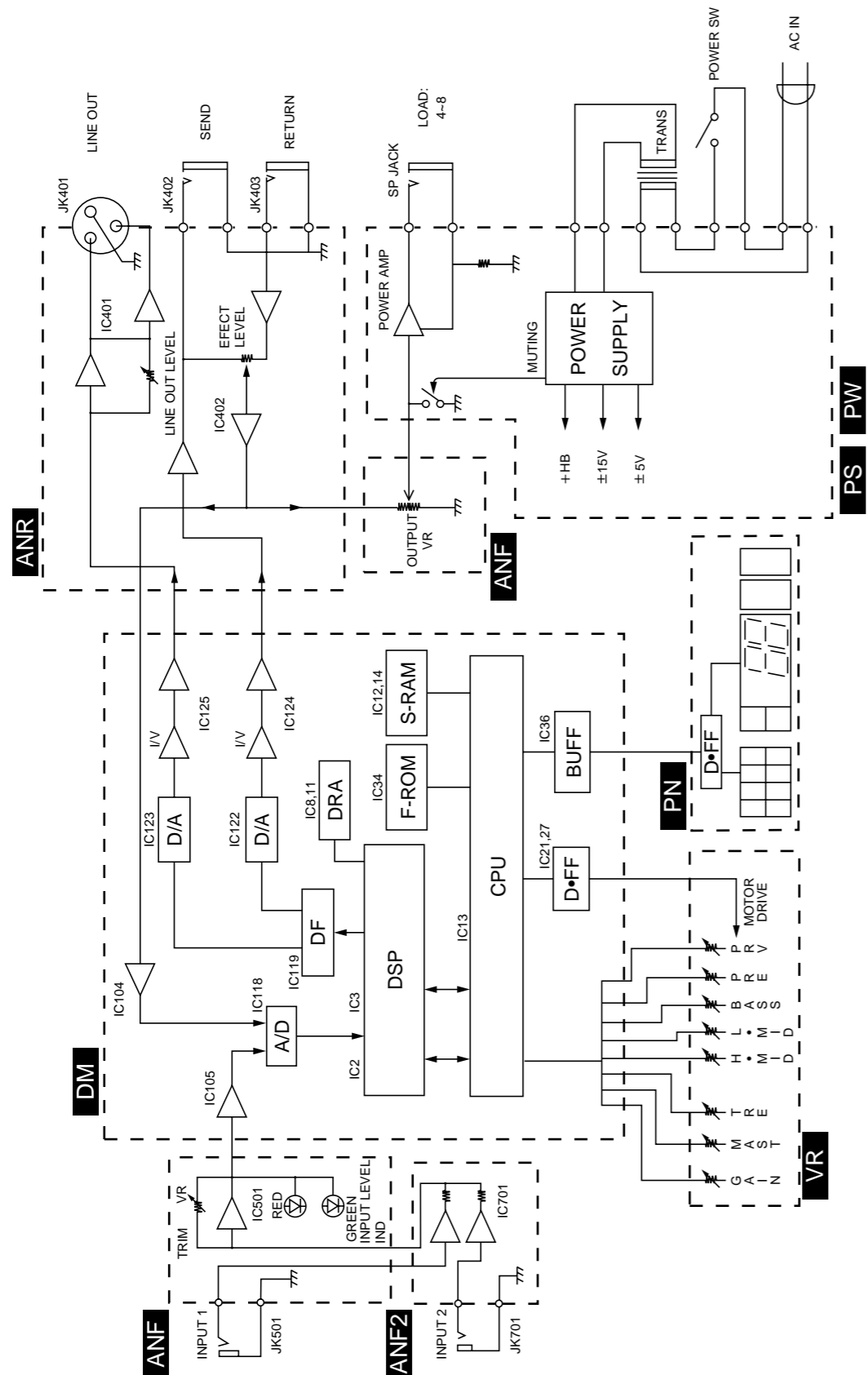
- 1 Input Jack (INPUT HIGH, LOW)
- 2 Trim Control (TRIM)
- 3 Output Level Control (OUTPUT)
- 4 Gain Volume (GAIN)
- 5 Master Volume (MASTER)
- 6 Tone Controls (TREBLE, HIGH MID, LOW MID, BASS, PRESENCE)
- 7 Reverb Volume (REVERB)
- 8 Amp Select Button/Amp Select Display (LEAD 1, 2/DRIVE 1, 2/CRUNCH 1, 2/CLEAN 1, 2)
- 9 Reverb Type Select Button (REVERB)
- 10 Reverb Type Display Lamp (SPRING, HALL, PLATE)
- 11 Mode Select Button (MODE)
- 12 Mode Display Lamp (AMP/TAPE ECHO/UTIL.)
- 13 Display
- 14 Buttons
- 15 Store Button (STORE)
- 16 Recall Button (RECALL)
- 17 Power Switch (POWER)

• Rear panel



- 18 Speaker Jack (SPEAKER)
- 19 MIDI OUT Jack
- 20 MIDI IN Jack
- 21 Effect Blend Control (EFFECT BLEND)
- 22 Effect Return Jack (EFFECT RETURN)
- 23 Effect Send Jack (EFFECT SEND)
- 24 Line Out Jack (LINE OUT)
- 25 Line Out Level Control (LINE OUT LEVEL)
- 26 Speaker Plug

■ BLOCK DIAGRAM



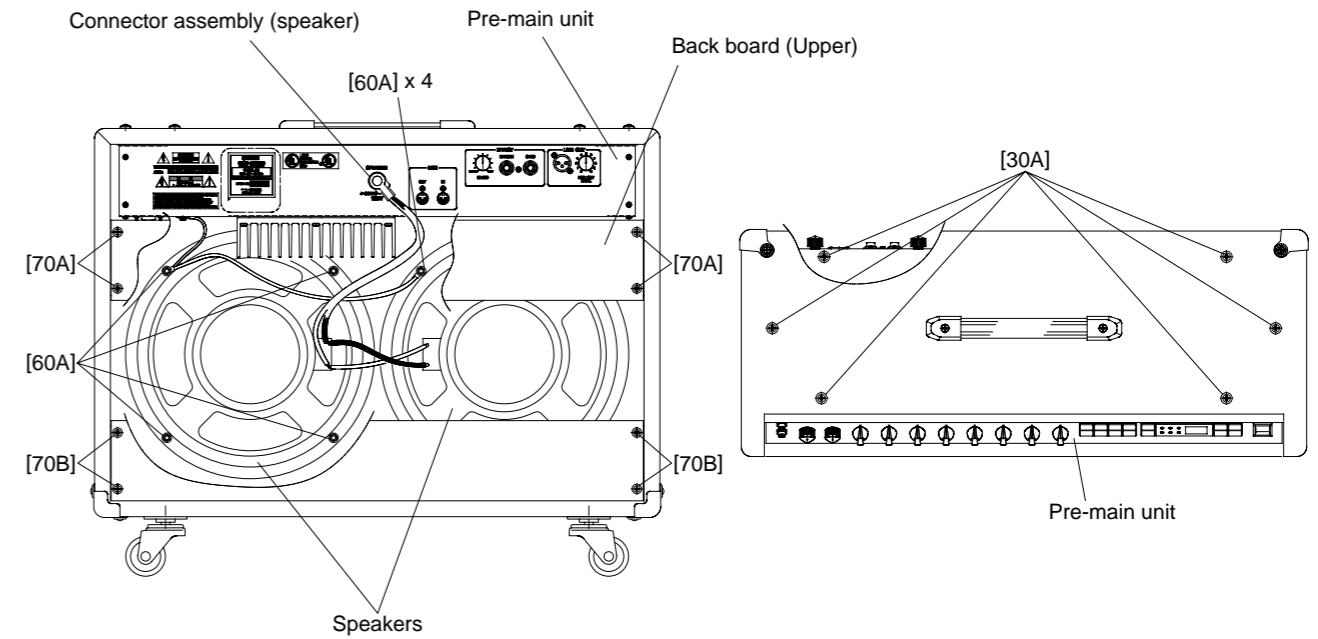
■ DISASSEMBLY PROCEDURE

1. Pre-Main Unit

- 1-1 Remove the four (4) screws marked [70A]. The back board (U) can then be removed. (Fig. 1)
- 1-2 Remove the plug of the connector assembly (speaker) located on the rear panel and the six (6) screws marked [30A]. The pre-main unit can then be removed by sliding it backward. (Fig. 1, Fig. 2)

2. Speakers

- 2-1 Remove the four (4) screws marked [70A]. The back board (U) can then be removed. (Fig. 1)
- 2-2 Remove the four (4) screws marked [70B]. The back board (L) can then be removed. (Fig. 1)
- 2-3 Remove the plug of the connector assembly (speaker) located on the rear panel and the eight (8) hexagonal nuts with flanges marked [60A]. The right and left speakers can then be removed. (Fig. 1)



[60]: Hexagonal Nut 5.0 x 35 MFC2BL (EX000990)

[70]: Oval Head Tapping Screw 4.0 x 30 MFC2BL (EN240090)

(Fig. 1)

[30A]: Oval Head Screw 5.0 x 35 MFC2BL (VP104600)

(Fig. 2)

3. Front Panel Assembly

- 3-1 Remove the pre-main unit. (See Procedure 1)
- 3-2 Remove the five (5) screws marked [30B]. The front panel assembly can then be removed. (Fig. 3)

4. ANR Circuit Board

- 4-1 Remove the pre-main unit. (See Procedure 1)
- 4-2 Remove the screw marked [50], the two (2) screws marked [170], the two (2) knobs marked [60] and the four (4) hexagonal nuts marked [A]. The ANR circuit board assembly can then be removed. (Fig. 3)
- 4-3 Remove the two (2) screws marked [40d]. The ANR circuit board can then be removed from the ANR circuit board assembly. (Fig. 3)

5. DM Circuit Board

- 5-1 Remove the pre-main unit. (See Procedure 1)
- 5-2 Remove the ANR circuit board. (See Procedure 4)
- 5-3 Remove the two (2) screws marked [40] and the six (6) screws marked [30C]. The DM circuit board can then be removed. (Fig. 3)

6. Main (1/5-2/5) Circuit Board

- 6-1 Remove the pre-main unit. (See Procedure 1)
- 6-2 Each circuit board can then be removed in its manner as below.

Main 1/5 Circuit Board

Remove the six (6) screws marked [60B]. The main 1/5 circuit board can then be removed. (Fig. 3)

Main 2/5 Circuit Board

Remove the screw marked [150A]. The main 2/5 circuit board can then be removed. (Fig. 3)

Main 3/5 Circuit Board

Remove the screw marked [150B]. The main 3/5 circuit board can then be removed. (Fig. 3)

Main 4/5 Circuit Board

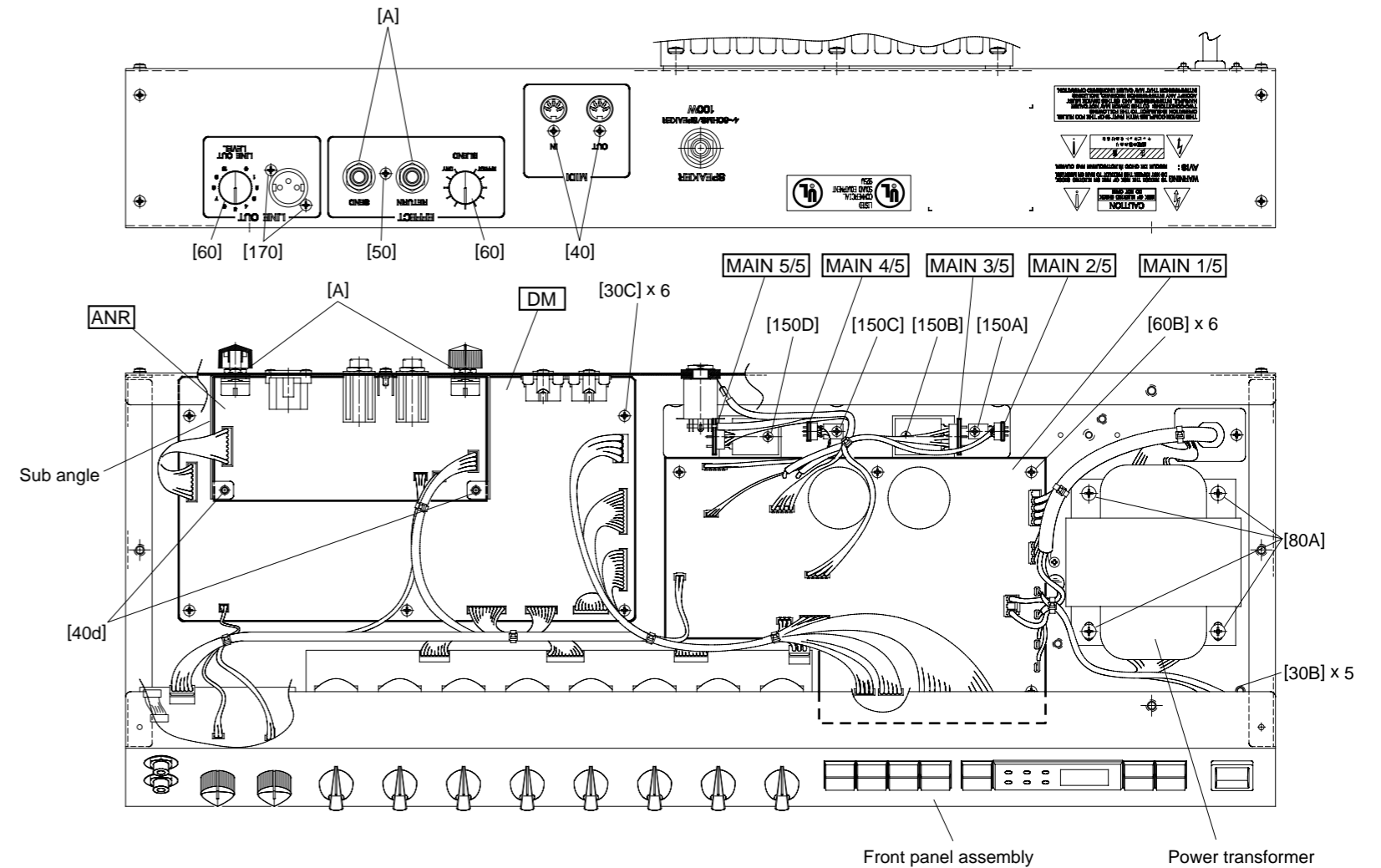
Remove the screw marked [150C]. The main 4/5 circuit board can then be removed. (Fig. 3)

Main 5/5 Circuit Board

Remove the screw marked [150D]. The main 5/5 circuit board can then be removed. (Fig. 3)

7. Power Transformer

- 7-1 Remove the pre-main unit. (See Procedure 1)
- 7-2 Remove the four (4) screws marked [80A]. The Transformer can then be removed. (Fig. 3)



- [30B]: Bind Head Tapping Screw-A4.0 x 8 MFZN2BL (VP156800)
- [30C]: Bind Head Tapping Screw-B 3.0 x 6 MFZN2BL (EP600230)
- [40]: Bind Head Tapping Screw-B 3.0 x 8 MFZN2BL (EP600190)
- [40d]: Pan Head Screw SP3.0 x 8 MFZN2Y (EK400500)
- [50]: Bind Head Screw A3.0 x 8 MFZN2BL (VP156700)
- [60B]: Bind Head Tapping Screw-B 3.0 x 6 MFZN2BL (EP600230)
- [80A]: Bind Head Screw A4.0 x 8 MFZN2BL (VP156800)
- [150]: Pan Head Screw SP3.0 x 12 MFZN2Y (EL200070)
- [170]: Bind Head Tapping Screw-B 3.0 x 8 MFZN2BL (EP600190)

(Fig. 3)

8. PN Circuit Board

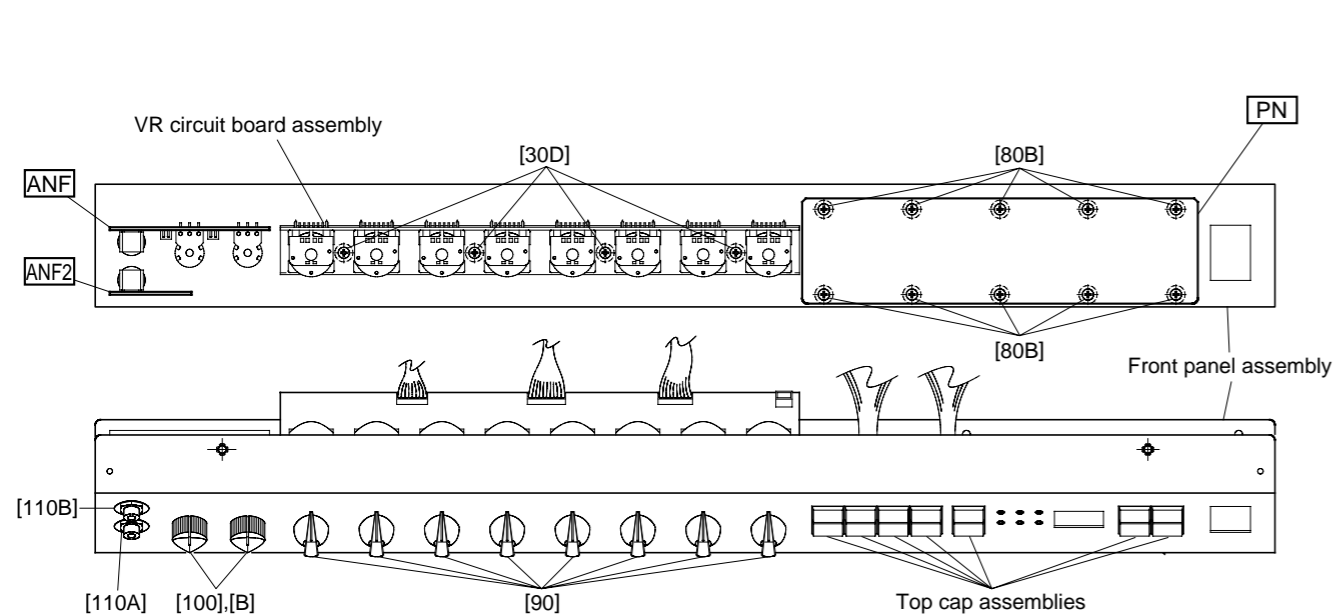
- 8-1 Remove the pre-main unit. (See Procedure 1)
- 8-2 Remove the front panel assembly. (See Procedure 3)
- 8-3 Remove the ten (10) screws marked [80B]. The PN circuit board assembly can then be removed. (Fig. 4)
- 8-4 Remove the seven (7) top cap assemblies from the PN circuit board assembly. (Fig. 4)

9. ANF Circuit Board

- 9-1 Remove the pre-main unit. (See Procedure 1)
- 9-2 Remove the front panel assembly. (See Procedure 3)
- 9-3 Remove the two (2) screws marked [100], the two (2) hexagonal nuts marked [B] and the hexagonal nut marked [110A]. The ANF circuit board can then be removed. (Fig 4)

10. ANF2 Circuit Board

- 10-1 Remove the pre-main unit. (See Procedure 1)
- 10-2 Remove the hexagonal nut marked [110B]. The ANF2 circuit board can then be removed. (Fig. 4)



- [30B]: Bind Head Tapping Screw-B 3.0 x 6 MFZN2BL (EP600230)
- [80B]: Bind Head Tapping Screw-B 3.0 x 6 MFZN2BL (EP600230)
- [110]: Hexagonal Nut 9.0 x 12 x 2 MFNI33 (LX200060)

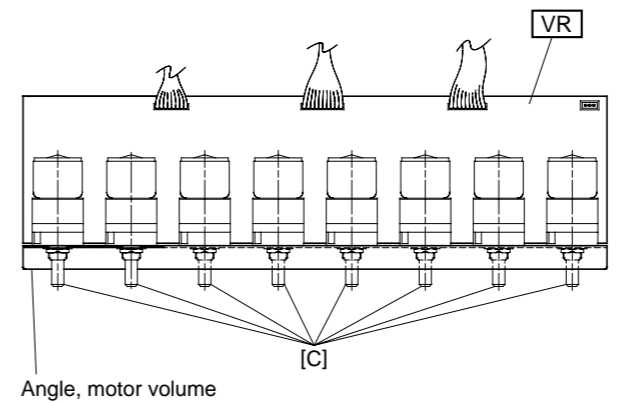
(Fig. 4)

11. VR Circuit Board

- 11-1 Remove the pre-main unit. (See Procedure 1)
- 11-2 Remove the front panel assembly. (See Procedure 3)
- 11-3 Remove the eight (8) knobs marked [90] and the four (4) screws marked [30D]. The VR circuit board assembly can then be removed. (Fig. 4)
- 11-4 Remove the eight (8) hexagonal nuts marked [C]. The VR circuit board can then be removed from the VR circuit board assembly. (Fig. 5)

12. Replacement Of The Lithium Battery

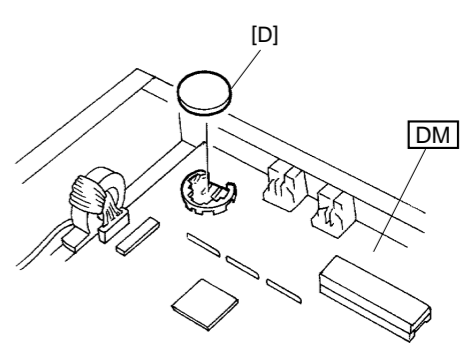
- 12-1 Remove the pre-main unit. (See Procedure 1)
- 12-2 The lithium battery marked [D], on the DM circuit board, can be replaced. (Fig. 6)



(Fig. 5)

Battery VS246400
 VS246300(Battery holder for VS246400)

- Notice for back-up battery removal
 Push against the holder hook, then the battery will pop up.
- Druk tegen de houder, de batterij springt dan naar voren.



- [140b]: Bind Head Tapping Screw-B 3.0 x 6 MFZN2BL (EP600230)
- [D]: Lithium Battery CR2032

(Fig. 6)

LSI PIN DESCRIPTION

• HD6413002FP16 (XQ375A00) CPU <H8/3002>

PIN NO.	NAME	I/O	FUNCTION	PIN NO.	NAME	I/O	FUNCTION	
1	PA6	O	Port A	51	A12	O	Address bus	
2	PA7	O	Address bus	52	A13	O		
3	VCC		Power supply	53	A14	O		
4	PB0	I	Port B	54	A15	O		
5	PB1	I						
6	PB2	I						
7	PB3	I						
8	PB4	I						
9	PB5	I		57	A18	O	Ground	
10	PB6//DREQ0	I		58	A19	O		
11	PB7//DREQ1	I		59	VSS		Port 6	
12	/RESO	O	Reset	60	P60//WAIT	I		
13	VSS		Ground	61	P61//BREQ	I	øout	
14	P90/TXD0	O	Transmit data (MIDI OUT)	62	P62//BACK	I		
15	P91/TXD1	O	KSN-ACK	63	ø	O	Stand-by mode signal	
16	P92/RXD0	I	Receive data (MIDI IN)	64	/STBY	I		
17	P93/RXD1	I	KSN-RX	65	/RES	I	Reset	
18	P94/SCK0	O	Port 9	66	NMI	I	Non-maskable interrupt	
19	P95/SCK1	I	Port 9	67	VSS		Ground	
20	P40/D0	I/O	Data bus	68	EXTAL	I	Clock	
21	P41/D1	I/O			69	XTAL	O	Clock
22	P42/D2	I/O			70	VCC		Power supply
23	P43/D3	I/O			71	/AS	O	Address strobe
24	VSS			(Ground)	72	/RD	O	Read strobe
25	P44/D4	I/O			73	/HWR	O	Write strobe (High)
26	P45/D5	I/O			74	/LWR	O	Write strobe (Low)
27	P46/D6	I/O			75	MD0	I	Mode select
28	P47/D7	I/O			76	MD1	I	
29	D8	I/O			77	MD2	I	
30	D9	I/O	Power supply	78	AVCC		Analog power supply	
31	D10	I/O			79	VREF	I	Reference voltage
32	D11	I/O			80	P70/AN0	I	Analog data input (EQ)
33	D12	I/O			81	P71/AN1	I	Analog input (EQ)
34	D13	I/O			82	P72/AN2	I	Analog data input
35	D14	I/O			83	P73/AN3	I	Analog input (CS)
36	D15	I/O		84	P74/AN4	I	Analog data input (BEND)	
37	VCC			85	P75/AN5	I	Analog input (MOD)	
38	A0	O	Address bus	86	P76/AN6	I	Analog input (FC)	
39	A1	O			87	P77/AN7	I	Analog input (BAT)
40	A2	O			88	AVSS		Analog ground
41	A3	O			89	P80	O	Port 8
42	A4	O			90	P81//CS3	O	Chip select
43	A5	O		91	P82//CS2	O		
44	A6	O		92	P83//CS1	O		
45	A7	O		93	P84//CS0	O	Ground	
46	VSS		(Ground)	94	VSS			
47	A8	O	Port A	95	PA0	I		
48	A9	O			96	PA1	I	
49	A10	O			97	PA2	I	
50	A11	O			98	PA3	O	
					99	PA4	O	
				100	PA5	O		

● YSS228D-F (XQ962D00) DSP3 (Digital Signal Processor)

PIN NO.	NAME	I/O	FUNCTION	PIN NO.	NAME	I/O	FUNCTION	
1	VSS		Ground	81	VSS	I/O	Ground	
2	XI	I	System master clock input (60M or30MHz)	82	DB13	I/O		
3	XO		System master clock input (60M or30MHz)	83	DB14	I/O	Parallel data bus	
4	VDD		Power supply	84	DB15	I/O		
5	/SYNCl	I	System synch. input	85	DB16	I/O		
6	/SYNCO	O	System synch. output	86	DB17	I/O		
7	CKI	I	System clock input (30MHz)	87	DB18	I/O		
8	CKO	O	System clock output (30MHz)	88	DB19	I/O		
9	CKSL	I	System master clock select (0:60M,1:30MHz)	89	DB20	I/O		
10	VSS		Ground	90	DB21	I/O		
11	MCKS	I	Master clock for serial I/O(128xFs)	91	DB22	I/O		
12	/SSYNCl	I	Synch. signal for serial I/O	92	DB23	I/O		
13	/IC	I	Initial clear	93	DB24	I/O		
14	/TEST	I	Test mode setting	94	DB25	I/O		
15	BTYP	I	CPU data bus 8/16 bit select(0:8,1:16)	95	DB26	I/O		
16	/IRQ	O	Interrupt request	96	DB27	I/O		
17	TRIG	I/O	Trigger signal	97	DB28	I/O		
18	VDD		Power supply	98	DB29	I/O		
19	VSS		Ground	99	DB30	I/O		
20	/CS	I	Chip select	100	DB31	I/O		
21	/DS	I	Data strobe	101	TIMO/DBOE	I/O	Timing signal/Parallel data bus control	
22	R/W	I	Read/Write select	102	VSS		Ground	
23	CA7	I	CPU address bus	103	VDD		Power supply	
24	CA6	I			104	DA00	I/O	External memory data bus
25	CA5	I			105	DA01	I/O	
26	CA4	I			106	DA02	I/O	
27	CA3	I			107	DA03	I/O	
28	CA2	I			108	DA04	I/O	
29	CA1	I			109	DA05	I/O	
30	CA0/CD15	I/O	CPU address/data bus	110	DA06	I/O		
31	CD14	I/O	CPU data bus	111	DA07	I/O		
32	CD13	I/O			112	DA08	I/O	
33	CD12	I/O			113	DA09	I/O	
34	CD11	I/O			114	DA10	I/O	
35	CD10	I/O			115	DA11	I/O	
36	CD09	I/O			116	DA12	I/O	
37	CD08	I/O			117	DA13	I/O	
38	CD07	I/O		118	DA14	I/O		
39	CD06	I/O		119	DA15	I/O		
40	VSS		Ground	120	VSS		Ground	
41	VDD		Power supply	121	VDD		Power supply	
42	CD05	I/O	CPU data bus	122	DA16	I/O	External memory data bus	
43	CD04	I/O			123	DA17		I/O
44	CD03	I/O			124	DA18		I/O
45	CD02	I/O			125	DA19		I/O
46	CD01	I/O			126	DA20		I/O
47	CD00	I/O			127	DA21		I/O
48	/DTACK	O		DTACK signal output	128	DA22		I/O
49	SI0	I	Serial data input	129	DA23	I/O		
50	SI1	I			130	DA24		I/O
51	SI2	I			131	DA25		I/O
52	SI3	I			132	DA26	I/O	
53	SI4	I			133	DA27	I/O	
54	SI5	I			134	DA28	I/O	
55	SI6	I			135	DA29	I/O	
56	SI7	I		136	DA30	I/O		
57	VSS		Ground	137	DA31	I/O		
58	VDD		Power supply	138	VDD		Power supply	
59	SO0	O	Serial data output	139	VSS		Ground	
60	SO1	O			140	A00	O	External memory address bus
61	SO2	O			141	A01	O	
62	SO3	O			142	A02	O	
63	SO4	O			143	A03	O	
64	SO5	O			144	A04	O	
65	SO6	O			145	A05	O	
66	SO7	O		146	A06	O		
67	DB00	I/O	Parallel data bus	147	A07	O		
68	DB01	I/O			148	A08	O	
69	DB02	I/O			149	A09	O	
70	DB03	I/O			150	A10	O	
71	DB04	I/O			151	A11	O	
72	DB05	I/O			152	A12	O	
73	DB06	I/O			153	A13	O	
74	DB07	I/O			154	A14	O	
75	DB08	I/O			155	A15/RAS	O	
76	DB09	I/O			156	A16/CAS	O	
77	DB10	I/O			157	A17/CE	O	
78	DB11	I/O			158	/WE	O	
79	DB12	I/O		159	/OE	O		
80	VDD		Power supply	160	VDD		Power supply	

● **YSF210-M (XK280A00) Digital Filter**

PIN NO.	NAME	I/O	FUNCTION	PIN NO.	NAME	I/O	FUNCTION																												
1	XO	O	} System clock	13	OBIT1	I	} Output bit selection																												
2	XI	I		14	OBIT2	I																													
3	VSS2	I	Ground				<table border="1"> <tr> <td></td> <td>22 bit</td> <td>20 bit</td> <td>18 bit</td> <td>16 bit</td> <td>AV DSP</td> <td>MEL</td> </tr> <tr> <td>OBIT 1</td> <td>H</td> <td>L</td> <td>H</td> <td>L</td> <td>H</td> <td>H</td> </tr> <tr> <td>OBIT 2</td> <td>H</td> <td>H</td> <td>L</td> <td>L</td> <td>H</td> <td>H</td> </tr> <tr> <td>OBIT 3</td> <td>H</td> <td>H</td> <td>H</td> <td>H</td> <td>L</td> <td>L</td> </tr> </table>		22 bit	20 bit	18 bit	16 bit	AV DSP	MEL	OBIT 1	H	L	H	L	H	H	OBIT 2	H	H	L	L	H	H	OBIT 3	H	H	H	H	L	L
	22 bit	20 bit	18 bit	16 bit	AV DSP	MEL																													
OBIT 1	H	L	H	L	H	H																													
OBIT 2	H	H	L	L	H	H																													
OBIT 3	H	H	H	H	L	L																													
4	BCI	I	Bit clock	15	NC	-	No connection																												
5	SDSY	I	L/R select and input timing	16	ASY	I	Synchronous/Asynchronous system clock section																												
6	IBIT1	I	} Input bit selection	17	VSS1	O	Ground																												
7	IBIT2	I		18	BCO	O	Bit clock of DLO, DRO																												
8	IBIT3	I		19	WCO	O	Word clock of DLO, DRO																												
				20	SHL	O	Deglich signal of L/R channel																												
9	MUTE	I	Mute	21	DRO	O	Output data of R channel																												
10	NC	-	No connection	22	NC	-	No connection																												
11	SDI	I	Input data	23	DLO	O	Output data of L channel																												
12	VDD2	I	Power supply	24	VDD1	O	Power supply																												

● **AK5390-VP (XQ199A00) ADC (Analog.Digita Converter)**

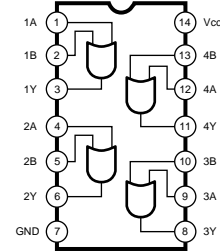
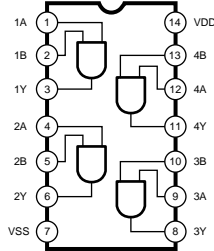
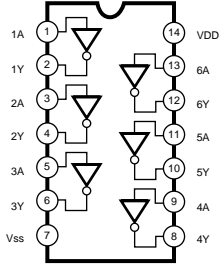
PIN NO.	NAME	I/O	FUNCTION	PIN NO.	NAME	I/O	FUNCTION
1	AGND	I	Analog ground	15	SDATA	O	Serial data output
2	APD	I		16	FSYNC	I/O	Frame synch. clock
3	AINL+	I	Analog signal input (L channel -)	17	VD+	I	Digital power supply (+)
4	AINL-	I	Analog signal input (L channel +)	18	DGND	I	Digital ground
5	ACAL	I	Analog calibration	19	CLK	I	Master clock
6	LGND	I	Analog logic ground	20	OCLK	O	128 fs clock output
7	VL+	I	Analog logic power supply	21	NC	-	
8	NC	-		22	ICLK	I	128 fs clock input
9	DACL	O	Digital calibration	23	VA+	I	Analog power supply (+)
10	DPD	I	Digital power down	24	VA-	I	Analog power supply (-)
11	CMODE	I	Master clock select (L: CLK=256fs, H:CLK=384fs)	25	AINR-	I	Analog signal input (R channel -)
12	SMODE	I	Interface clock select (L: slave mode, H: master mode)	26	AINR+	I	Analog signal input (R channel +)
13	L/R	I/O	Input channel select	27	VREF-	O	Reference voltage (-)
14	SCLK	I/O	Serial data clock	28	VREF+	O	Reference voltage (+)

● **PCM1702P (XN136A00) DAC (Digital to Analog Converter)**

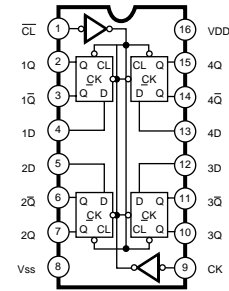
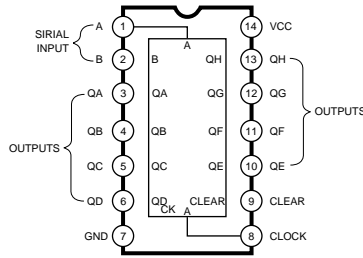
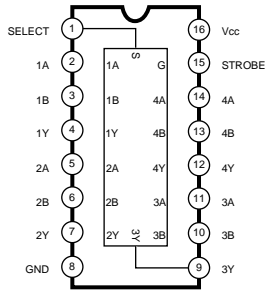
PIN NO.	NAME	I/O	FUNCTION	PIN NO.	NAME	I/O	FUNCTION
1	DATA	I	Serial data input	9	+Vcc	I	Analog power supply (+5V)
2	CLOCK	I	Bit clock	10	BPO DC	I/O	BPO decouple
3	+Vdd	I	Digital power supply (+5V)	11	I OUT	O	Current output
4	DGND	I	Digital ground	12	AGND	I	Analog ground
5	-Vdd	I	Digital power supply (-5V)	13	AGND	I	Analog ground
6	LE	I	Latch enable	14	SERVO DC	I/O	Servo decouple
7	NC	-	Reserved	15	REF DC	I/O	Ref. decouple
8	NC	-	Reserved	16	-Vcc	I	Analog power supply (-5V)

IC BLOCK DIAGRAM

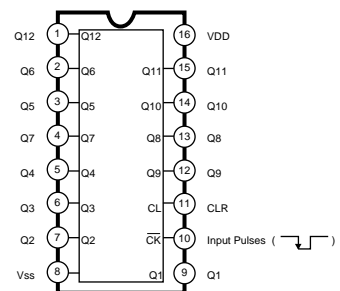
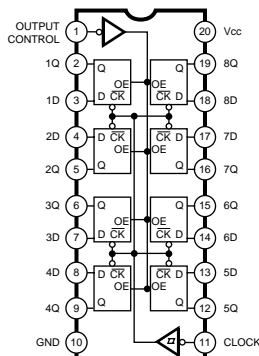
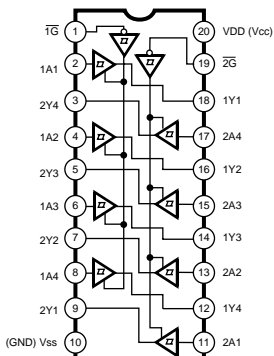
- **TCHCU04AF-TP1**(XD660A00) Hex Inverter
- **SN74HC08NSR** (XD831A00) Quad 2 Input AND
- **TC74VHC32F** (XN963A00) Quad 2 Input OR



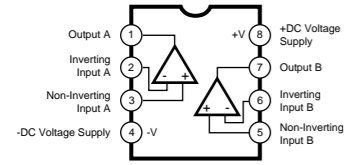
- **TC74HC157AF-TP1**(XH603A00) Quad 2 to 1 Multiplexer
- **TC74HC164AF** (XQ967A00) 8-Bit Shift Register
- **TC74HC175AF-TP1**(XD658A00) Quad D-Type Flip-Flop



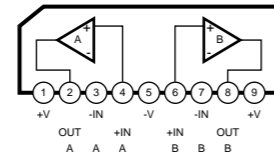
- **SN74HC244NSR** (XD233A00) Octal 3-State Bus Buffer
- **SN74HC374ANSR** (XQ042A00) Octal 3-State D-Type Flip-Flop
- **TC74HC4040F** (XR684A00) 12-Stage Binary Ripple Counter



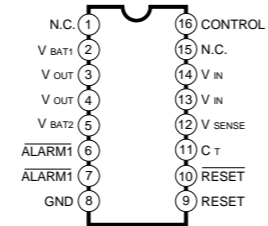
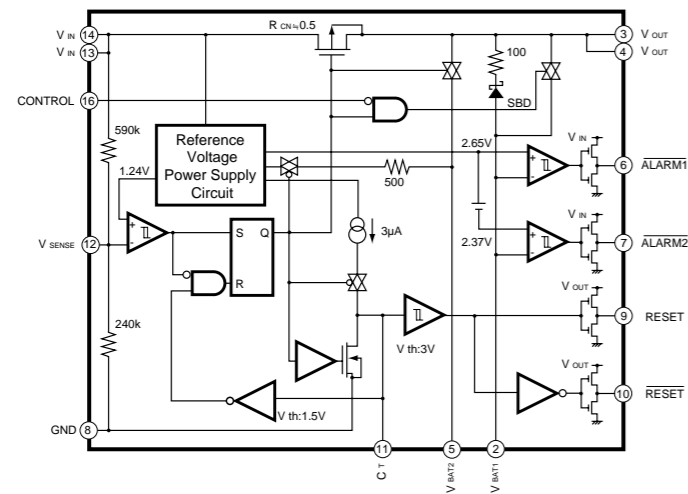
- **NE5532P**(IG102500)
Dual Operational Amplifier



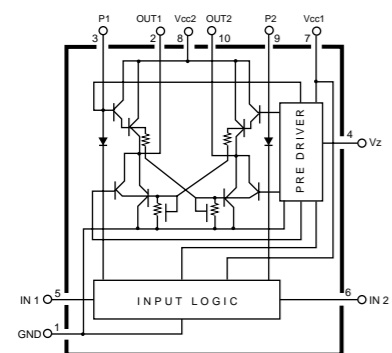
- **NJM072D**(IG107000)
Dual Operational Amplifier



- **MB3790PF**(XR967A00)
ASSP

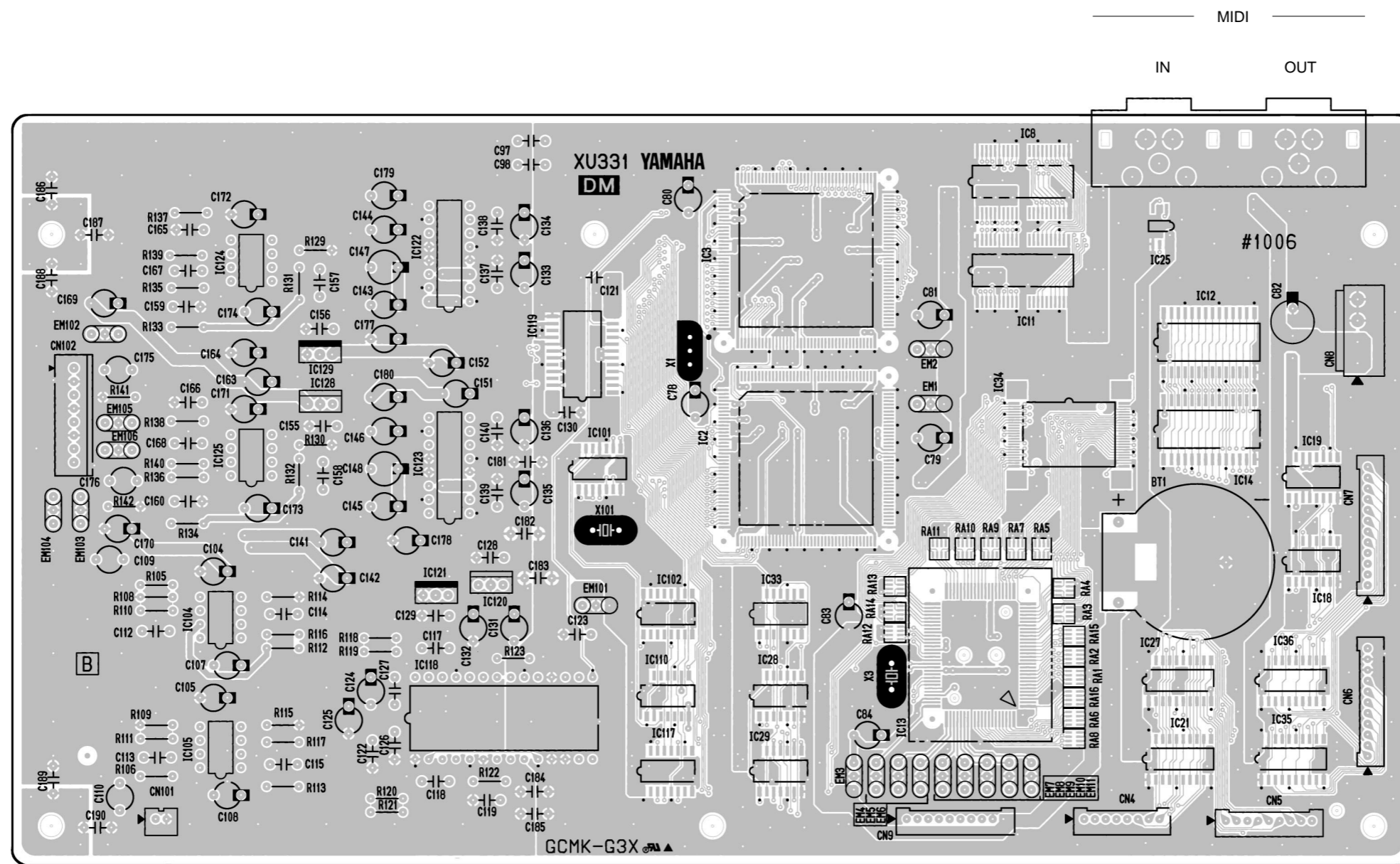


- **LB1641** (XF494A00)
Motor Driver



■ CIRCUIT BOARDS

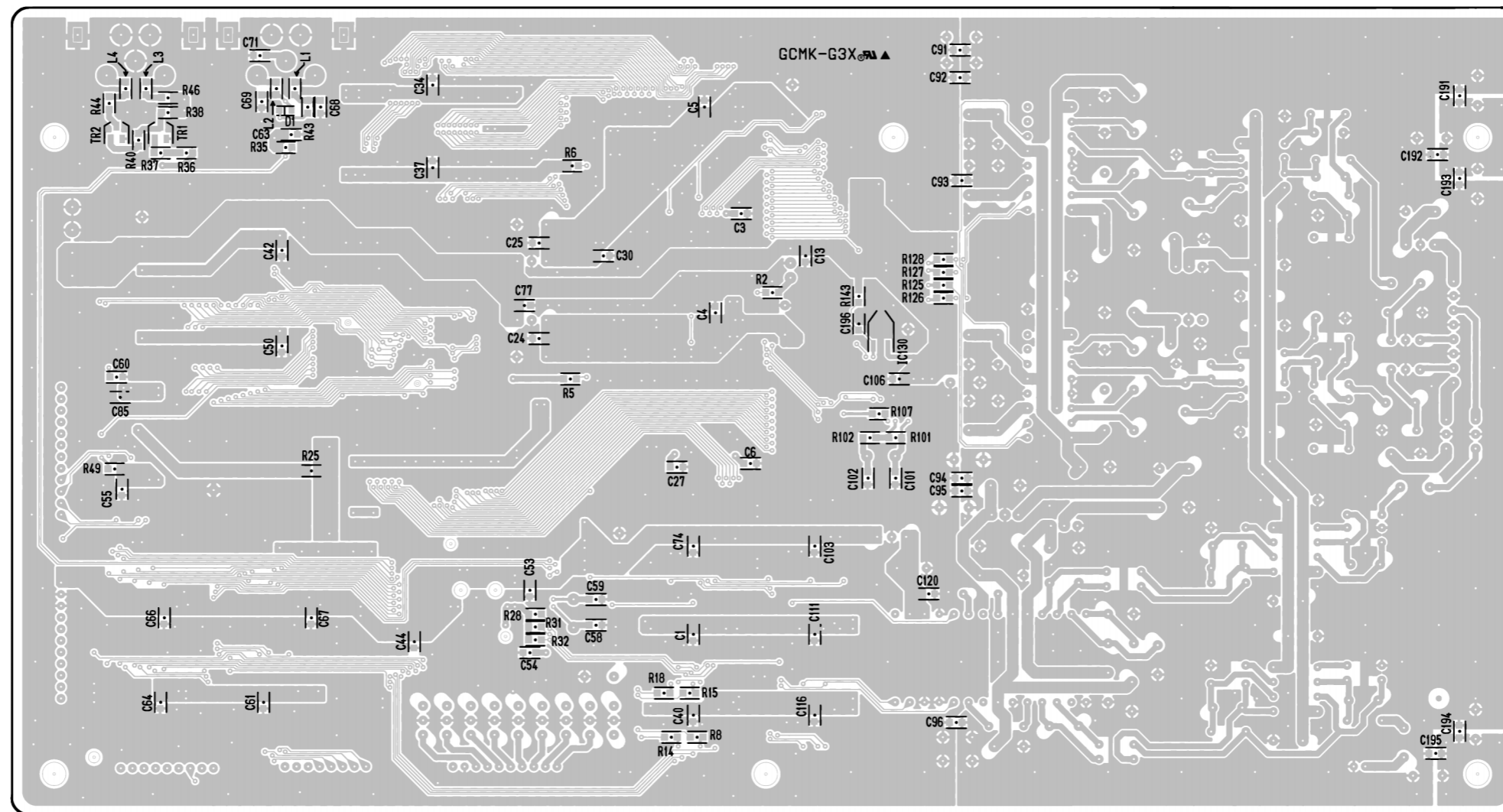
- DM Circuit Board



Component side

Note : See parts list for details of circuit board component parts.

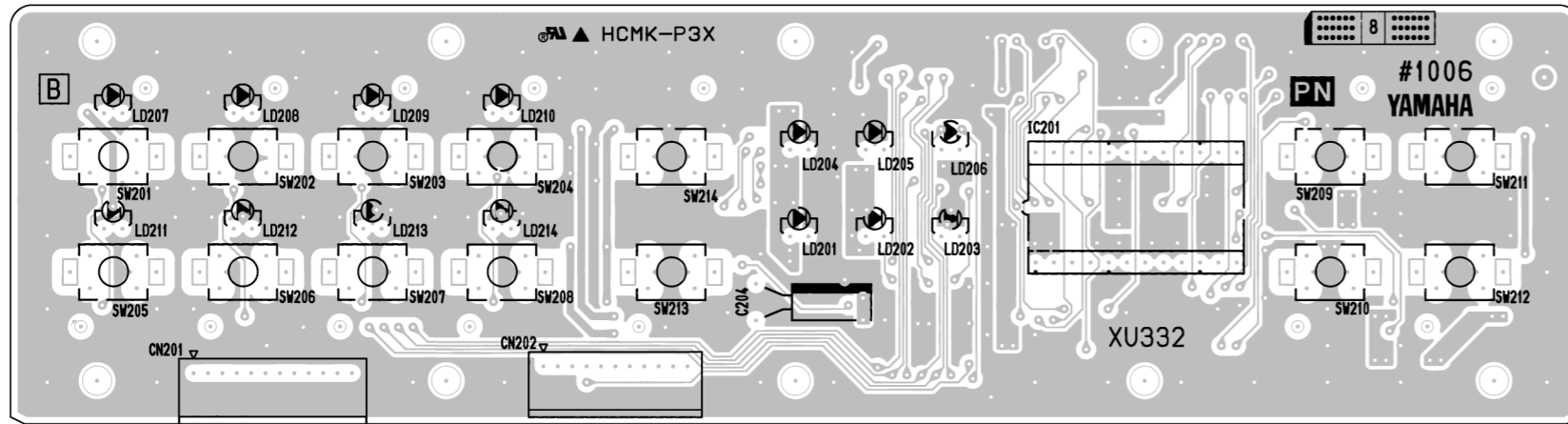
• DM Circuit Board



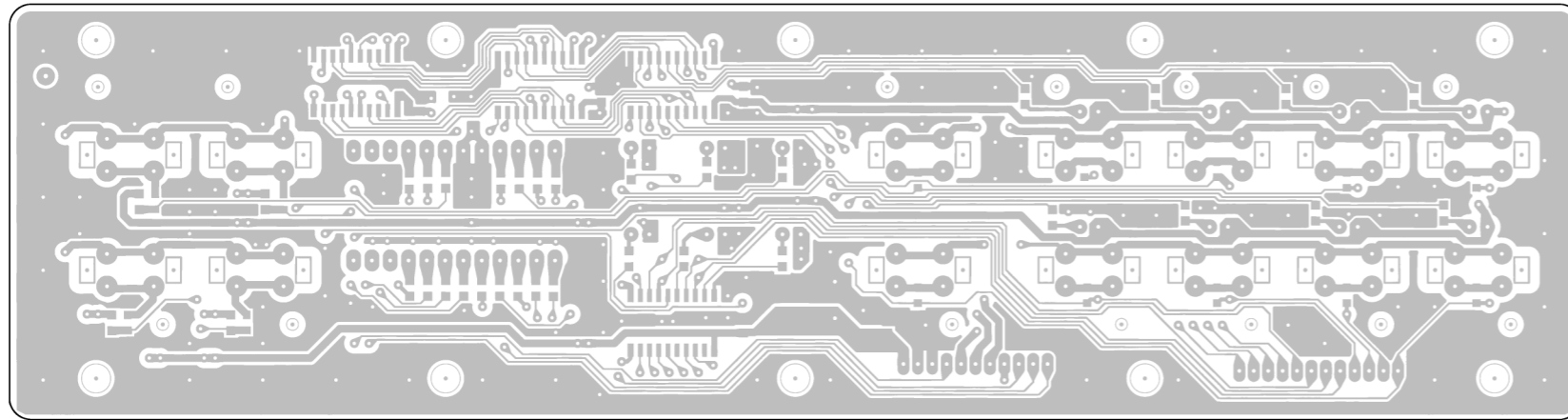
Pattern side

Note : See parts list for details of circuit board component parts.

● PN Circuit Board

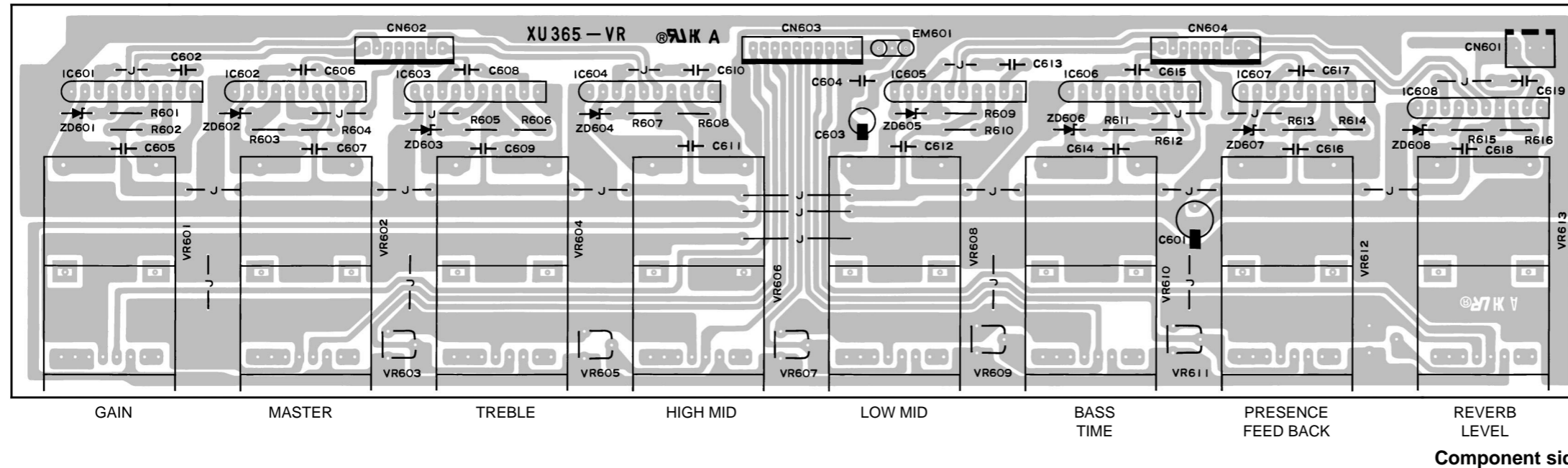


Component side



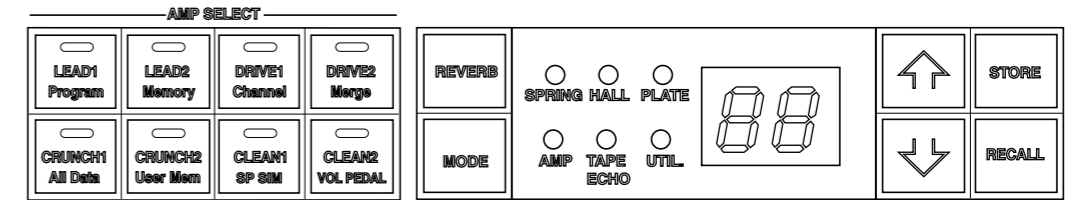
Pattern side

● VR Circuit Board



Component side

● Panel Layout

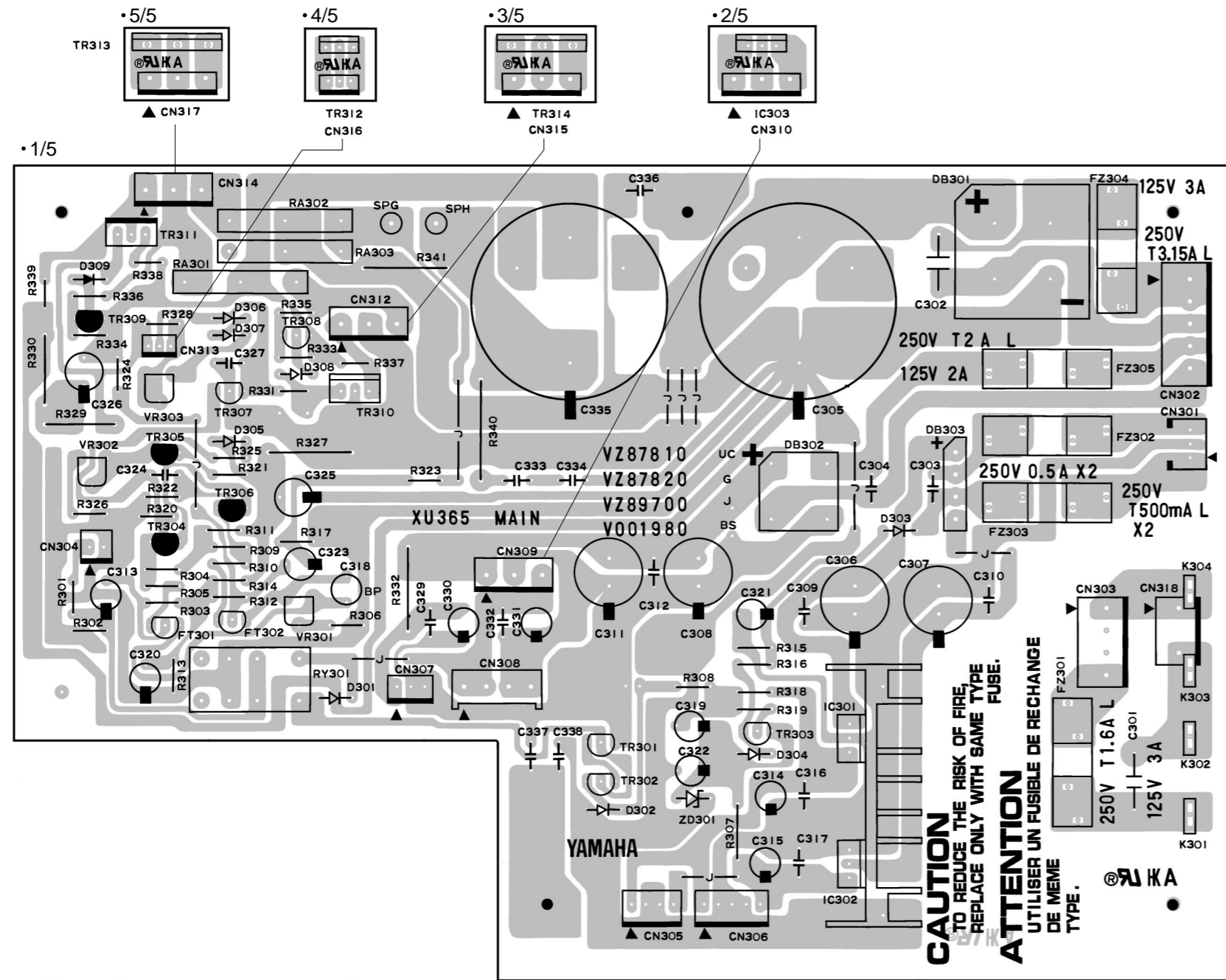


GUITAR AMPLIFIER *DG100-212*

Note : See parts list for details of circuit board component parts.

PN : ENA-VZ77230-1/4
VR : CNA-VZ89700-1/10

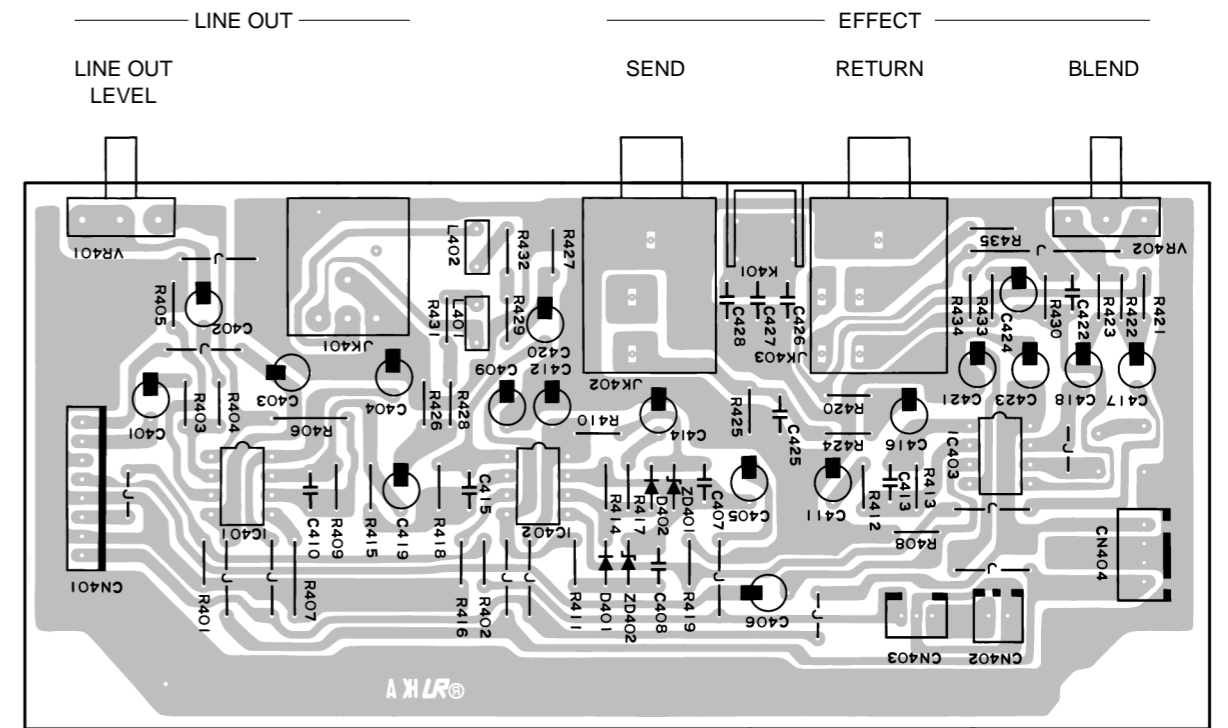
• MAIN Circuit Board



Component side

Note : See parts list for details of circuit board component parts.

• ANR Circuit Board



(Test Contents)

The RAM Backup Battery check is executed automatically.

When all the LEDs light simultaneously, the Battery Check is finished. Then the DG100-212 selects the next test no., so the LED display shows "5".

(Error Number)

- E0** : Battery Low (RAM DATA are kept.)
- E1** : Unknown Error
- E2** : Battery Low (RAM DATA are not kept.) or Not Installed

5. MIDI Check

Connect the MIDI IN and the MIDI OUT terminals with a MIDI cable. Press the RECALL key when the LED display shows "5". The MIDI Check is started.

(Test Contents)

The loop back MIDI check is executed automatically. When the MIDI check is started, the LED display shows "51" and then "52". When all the LEDs light simultaneously, the MIDI Check is finished. Then the DG100-212 selects the next test no., so the LED display shows "6".

(Error Number)

- E0** : Error
- E1** : Error

6. SRAM Check

Press the RECALL key when the LED display shows "6". The SRAM Check is started.

(Test Contents)

The SRAM read/write check is executed automatically. When the SRAM Check is started, the LED display shows "61" and then "62". When all the LEDs light simultaneously, the SRAM Check is finished. Then the DG100-212 selects the next test no., so the LED display shows "7".

(Error Number)

- E0** : RAM Address Error
- E1** : RAM Read/Write Error

7. Flash Memory Erase/Write Check

Press the RECALL key when the LED display shows "7". The Flash Memory Erase/Write Check is started.

(Attention)

When the result of the test number 6 has already been "Error", don't execute this test, or the DG100-212 won't set up at normal mode by the rewritten wrong data in the Flash Memory. Don't turn the POWER switch off while executing this test, the DG100-212 won't set up at normal mode by no data in the Flash Memory.

(Test Contents)

The Flash Memory Erase/Write check is executed automatically.

When the check is started, the LED display shows from "70" to "73" successively. When all the LEDs light simultaneously, the Flash Memory Erase/Write check is finished. Then the DG100-212 selects the next test no., so the LED display shows "8".

(Error Number)

- E0, E1** : Flash Erase Error
- E2, E3** : Flesh Write Error

8. Sound Check

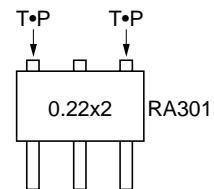
Before executing this sound check, the idling adjustment, the output wave adjustment and center voltage adjustment must be finished. the three adjustments can be done while the LED display shows "8".

(Idling Adjustment)

1. set the idling adjustment volume (VR303) at minimum.
2. connect the 4ohm load to the speaker terminals.
3. Set the output volume at minimum.
4. Adjust the VR303 so that the DC voltage between the terminals of the RA301 should be 5 mV +/-1 mV.

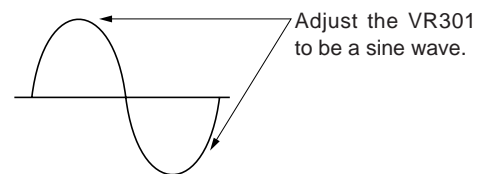
(Output Wave Adjustment)

1. After adjusting the Idling adjustment, set the OUTPUT VR at maximum.
2. When the signal of -2dBm / 1 kHz is inputted from the RETURN terminal, adjust the VR 301 (4.7 kohms) so that the wave shape should be a sine wave symmetrical for upper and lower as below.



(Center Voltage Adjustment)

1. Adjust the VR302 so that the voltage of the output circuit (RA301) should be 34 +/- 1 V.
- * By adjusting the Output Adjustment and the Center Voltage Adjustment alternatively, search the best point.



After finishing the adjustments above, press the RECALL key when the LED display shows "8". The Sound Check is started.

(Test Contents)

The DG100-212 sets the conditions for the signal Sound Check through the analogue circuit, the A/D converter, the DSP-3 and the D/A Converter.

When the Sound Check is started, the LED display shows "81". The Sound Check has two conditions. If the RECALL key is pressed when the LED display shows "81", the LED display changes to "82" and the condition changes to the next as below.

81 : DSP3-1

82 : DSP3-2

Check the following items in each condition of "81" and "82".

Items	Conditions	Responses (standards)
1.Input Sensitivity (High)	1 kHz, -30dBm	+28 dBm +/-2 dB
2.Input Sensitivity (Low)	1 kHz, -20dBm	+28 dBm +/-2 dB
3.RETURN Level	1 kHz, 0dBm	+28 dBm +/-2 dB
4.SEND Level	Condition of 1. and 100 kohms SEND load	-1 dBm +/-2 dB
5.LINE OUT Level	Condition of 1. and 100 kohms LINE OUT load	+3 dBm +/-2 dB
6.Frequency Response (HIGH IN)	-40 dBm Input 1 kHz standard SP Output Terminal	100 Hz: 0.5 +/-1dB 10 kHz: 0.5 +/-1dB
7.Remain Noise	TRIM, OUTPUT VR MIN IHF A net	less than -60 dBm
8.Sensitivity of LED for Input Level	Lo Input TRIM Vol: maximum OUTPUT Vol: maximum	Input LED -30 dBm: no light -20 dBm: GR only +3 dBm: both lit
9.Output	RETURN,10% THD	more than +28 dBm (95W)

* 0 dBm = 0.775 V Load = 4 ohms

If the Sound Check has been finished, press the RECALL key when the LED display shows "82". The LED display shows "9".

(Error Number)
not appearing

9. TEST END

A "9" on the LED display signals the end of the TEST and the exit of the Test Program. Press the RECALL key when the LED display shows "9". The mode of the DG100-212 changes to the normal mode and all of the function data are set to the condition of the latest program number in normal mode. The Motor Drive Volumes rotate automatically to the settings of that data.

■ ERROR MESSAGES

If an error occurs during operation, one of the following error message numbers will appear on the display.

E 1 : Motor Drive Error

- CAUSE:** The volume knob has not returned to its assigned position after 20 seconds has elapsed from the start of the recall operation or, the device does not recognize the recall command.
- SOLUTION:** Turn off the power and check the circuit for Motor Drive.

E 2 : MIDI Receive Buffer Full

- CAUSE:** Too much MIDI data is being received by the DG100-212 at one time.
- SOLUTION:** Try reducing the amount of data being sent or, break the data into smaller blocks.

E 3 : Communication Error.

- CAUSE:** An abnormality is detected during MIDI communications.
- SOLUTION:** Check all connections, etc. and try again.

E 4 : Bulk Receive Check Sum Error.

- CAUSE:** The check sum does not match the received MIDI bulk data.
- SOLUTION:** Check all connections and data, and try again.

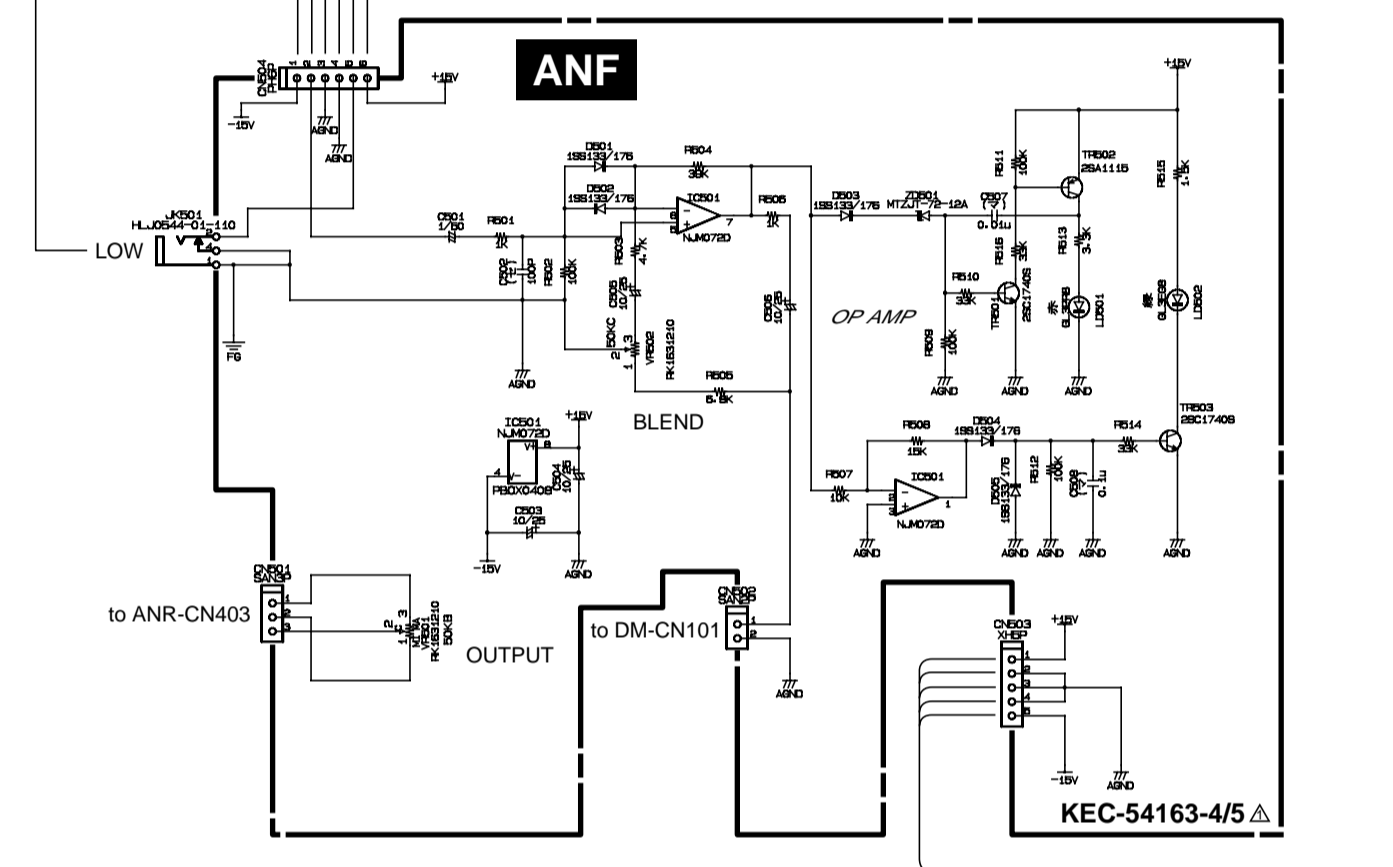
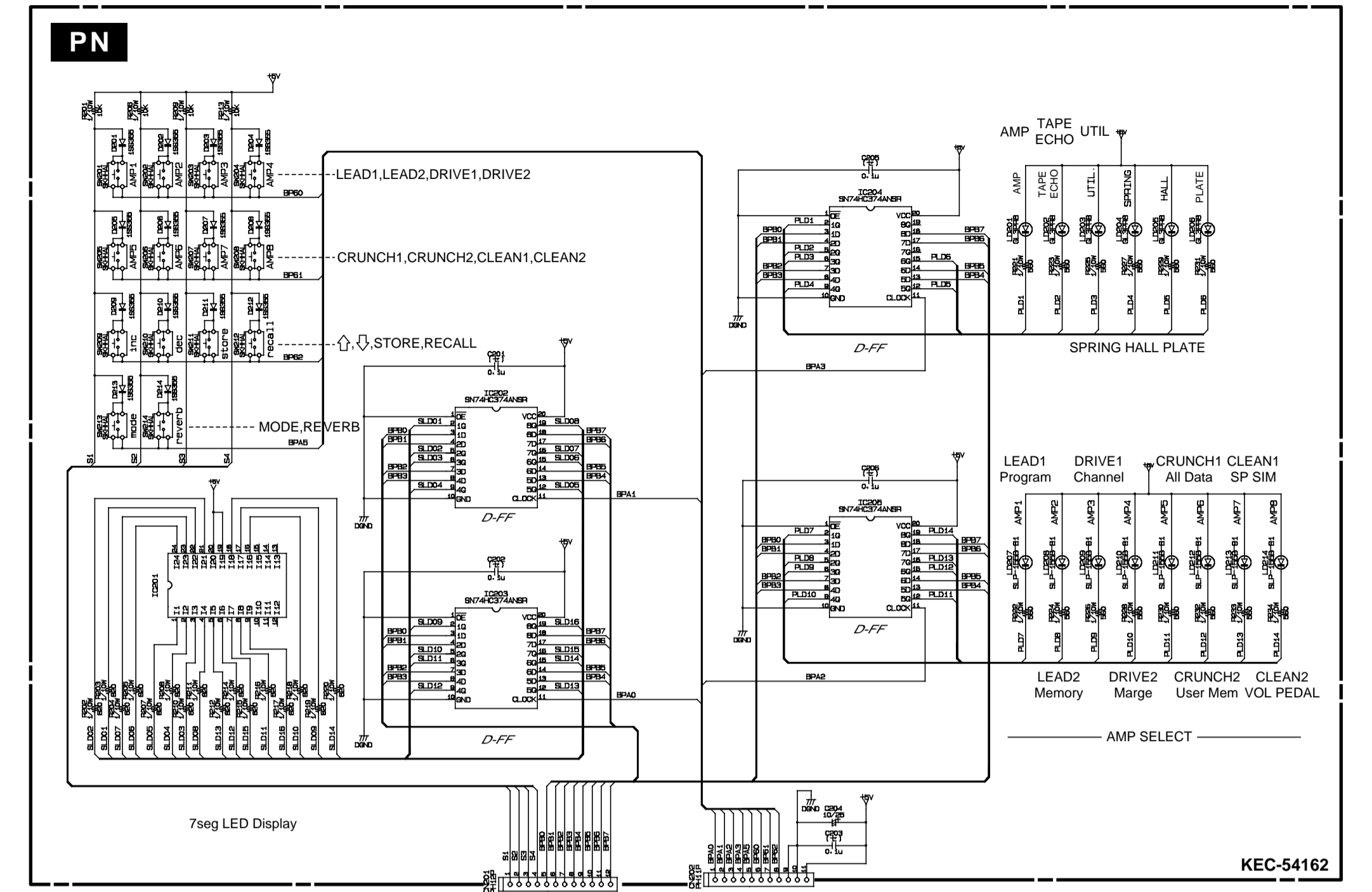
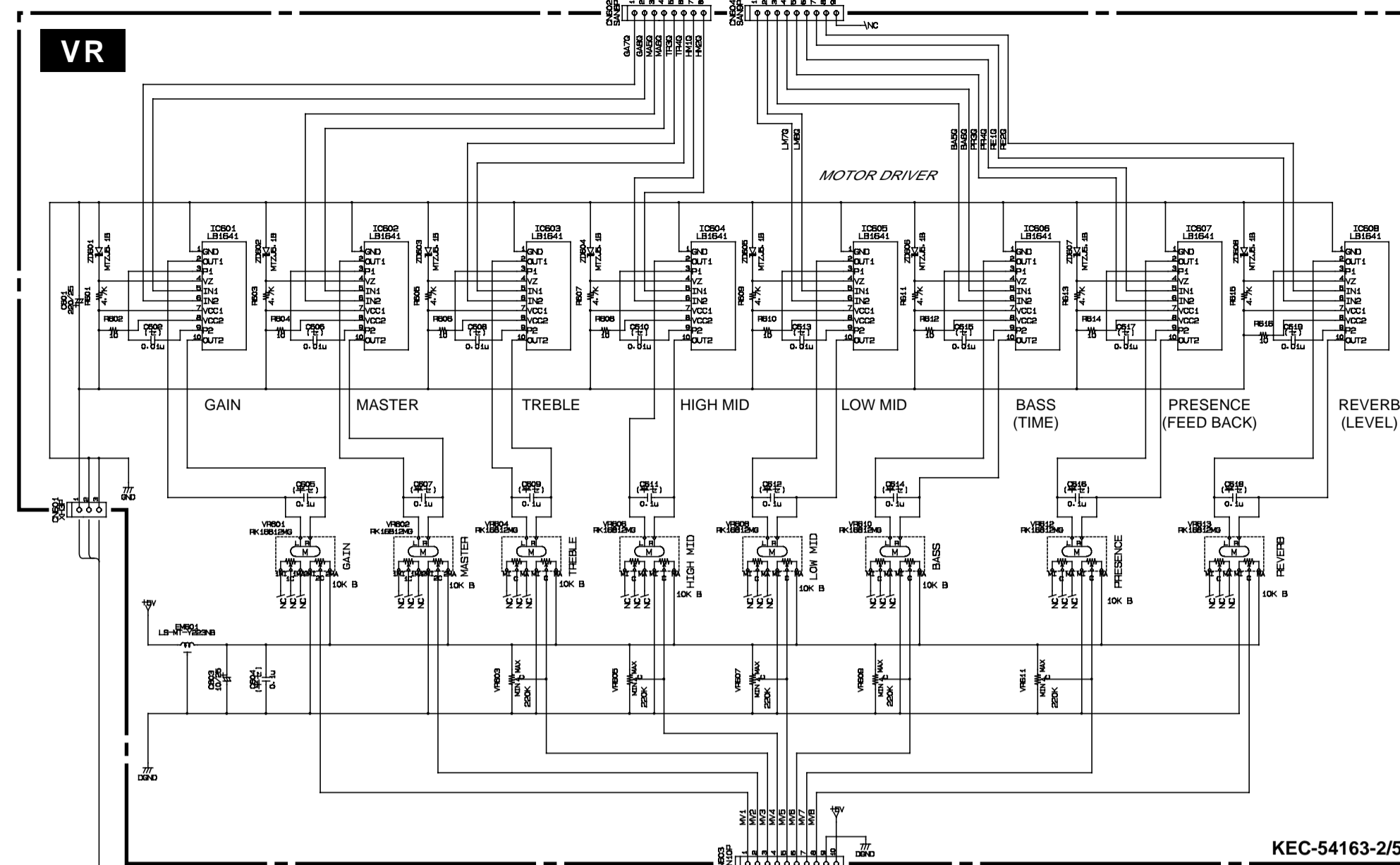
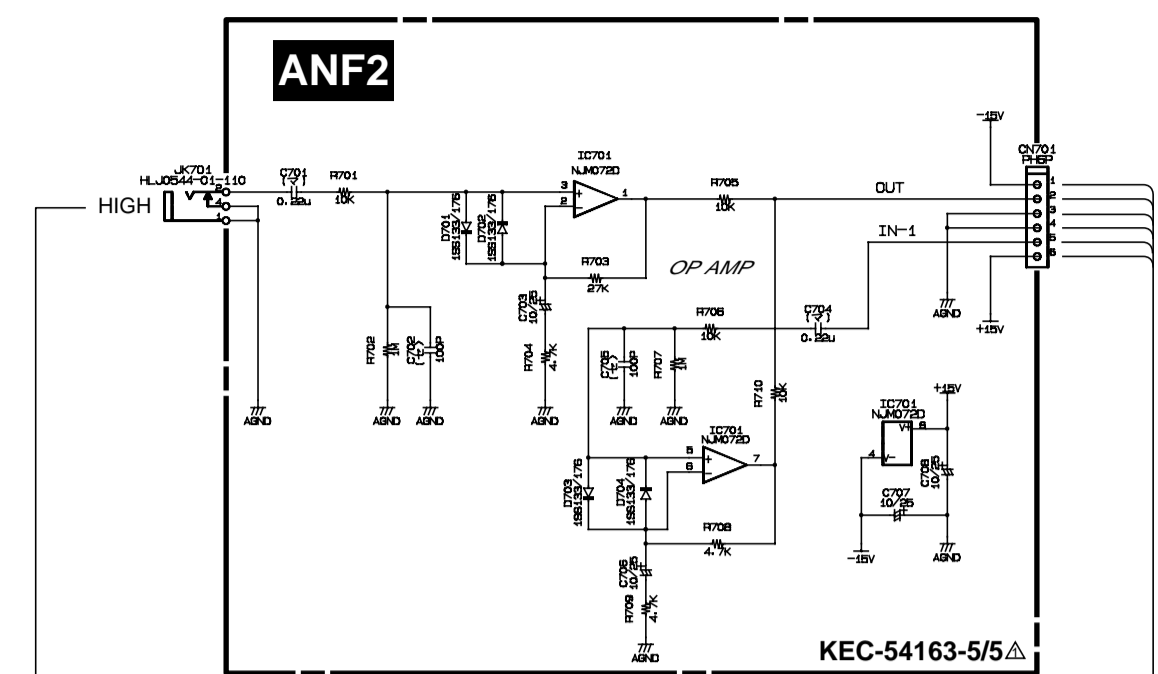
E 5 : Bulk Receive Data Abnormality.

- CAUSE:** An abnormality is detected in the received MIDI bulk data.
- SOLUTION:** Check all connections and data, and try again.

E 6 : Backup Battery Error.

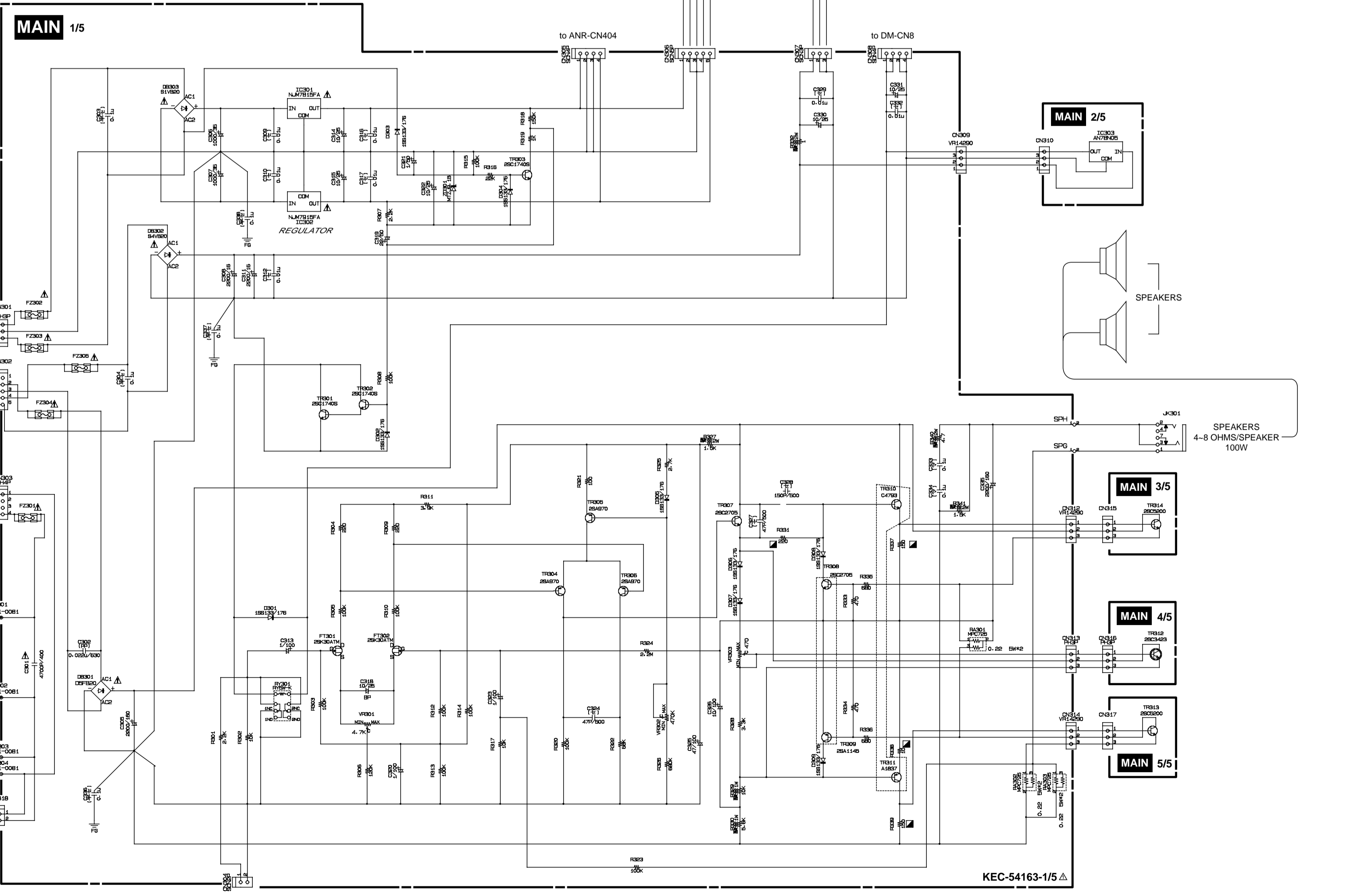
- CAUSE:** Backup battery power is depleted.
- SOLUTION:** Continued use of the device will result in the loss of data. Return the device to the music dealer where you purchased it or, the nearest Yamaha Service center and have the battery replaced.

Function ...	Transmitted	Recognized	Remarks
:Basic Default	: x	: 1 - 16, off	: memorized
:Channel Changed	: x	: 1 - 16, off	:
: Mode Default	: x	: 1,3	: memorized
: Mode Messages	: x	: x	:
: Mode Altered	: *****	: x	:
: Note	: x	: x	:
: Number : True voice	: *****	: x	:
: Velocity Note ON	: x	: x	:
: Velocity Note OFF	: x	: x	:
: After Key's	: x	: x	:
: Touch Ch's	: x	: x	:
: Pitch Bender	: x	: x	:
: Control 0 - 6	: x	: x	:
: Control 7	: x	: o	: Main Volume
: Control 8 - 90	: x	: x	:
: Control 91	: x	: o	: Reverb SW.
: Control 92	: x	: x	:
: Control 94	: x	: o	: Tape Echo SW.
: Change 95 - 127	: x	: x	:
: Prog	: x	: o 0 - 127	: Program Change
: Change : True #	: *****	:	: Number 1-128
: System Exclusive	: o	: o	: Bulk Dump
: System : Song Pos.	: x	: x	:
: System : Song Sel.	: x	: x	:
: common : Tune	: x	: x	:
: System :Clock	: x	: x	:
: Real Time :Commands	: x	: x	:
: Aux :Local ON/OFF	: x	: x	:
: Aux :All Notes OFF	: x	: x	:
: Mes- :Active Sense	: o	: x	:
: sages:Reset	: x	: x	:
Mode 1	: OMNI ON, POLY	Mode 2	: OMNI ON, MONO
Mode 3	: OMNI OFF, POLY	Mode 4	: OMNI OFF, MONO
			o : Yes
			x : No

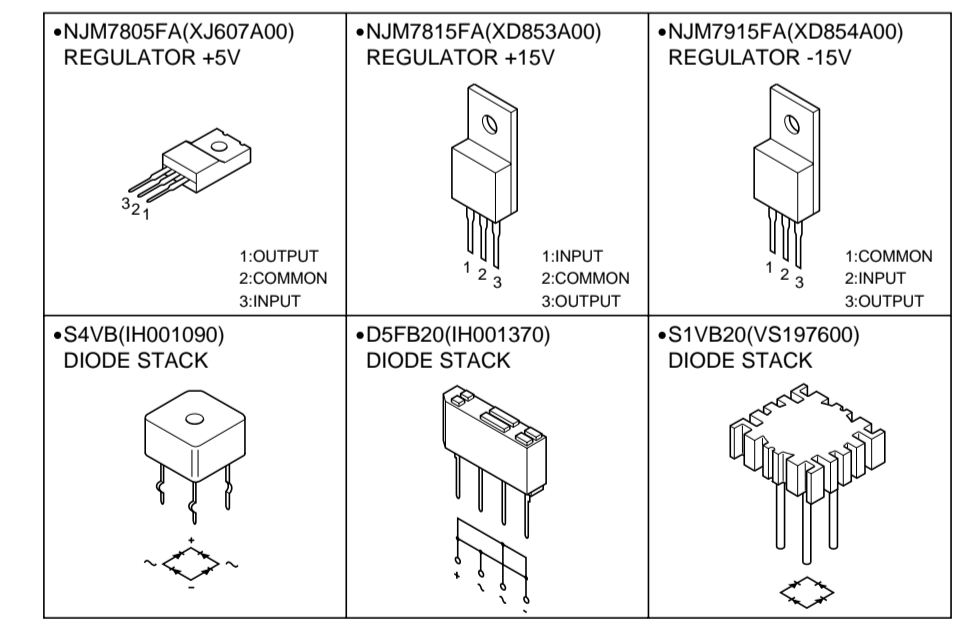


	Power transformer	AC Cord	Cord relief
Japanese model	XU11840	M500061	C860585
U.S & Canadian models	XL29540	V217560	C860585
General export model	XL29540	V297160	C83284
British model	XL29540	VH89020	C83284

	Japanese models	U.S & Canadian models	General export model & British model
FZ302	FZ303	VZ06340 250V T1.0. 8A	K900071 250V T500MAL
FZ305	V982250	125V T2A	K900075 250V T2A L
FZ304	V001460	125V T3A	K900075 250V T3.15AL
FZ301	V001460	125V T3A	K900166 250V T1.6A L

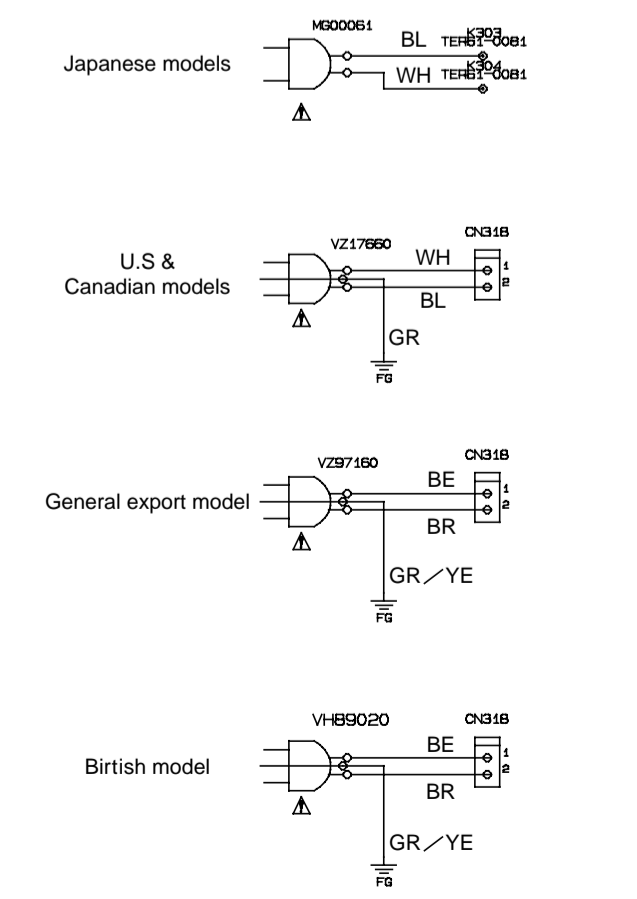


(M) : Mylar Capacitor
(C) : Ceramic Capacitor
(半C) : Semiconductive Cera Cap



WARNING
Components having special characteristics are marked Δ and must be replaced with parts having specifications equal to those originally installed.

Note : See parts list for details of circuit board component parts.



Δ : Flame Proof Carbon Resistor

GUITAR AMPLIFIER

DG100-212

PARTS LIST

■ CONTENTS

OVERALL ASSEMBLY.....	2
PRE-MAIN UNIT.....	4
OVERALL CABINET ASSEMBLY.....	6
FRONT PANEL ASSEMBLY.....	7
CHASSIS ASSEMBLY.....	8
ELECTRICAL PARTS.....	9~18

Notes : DESTINATION ABBREVIATIONS

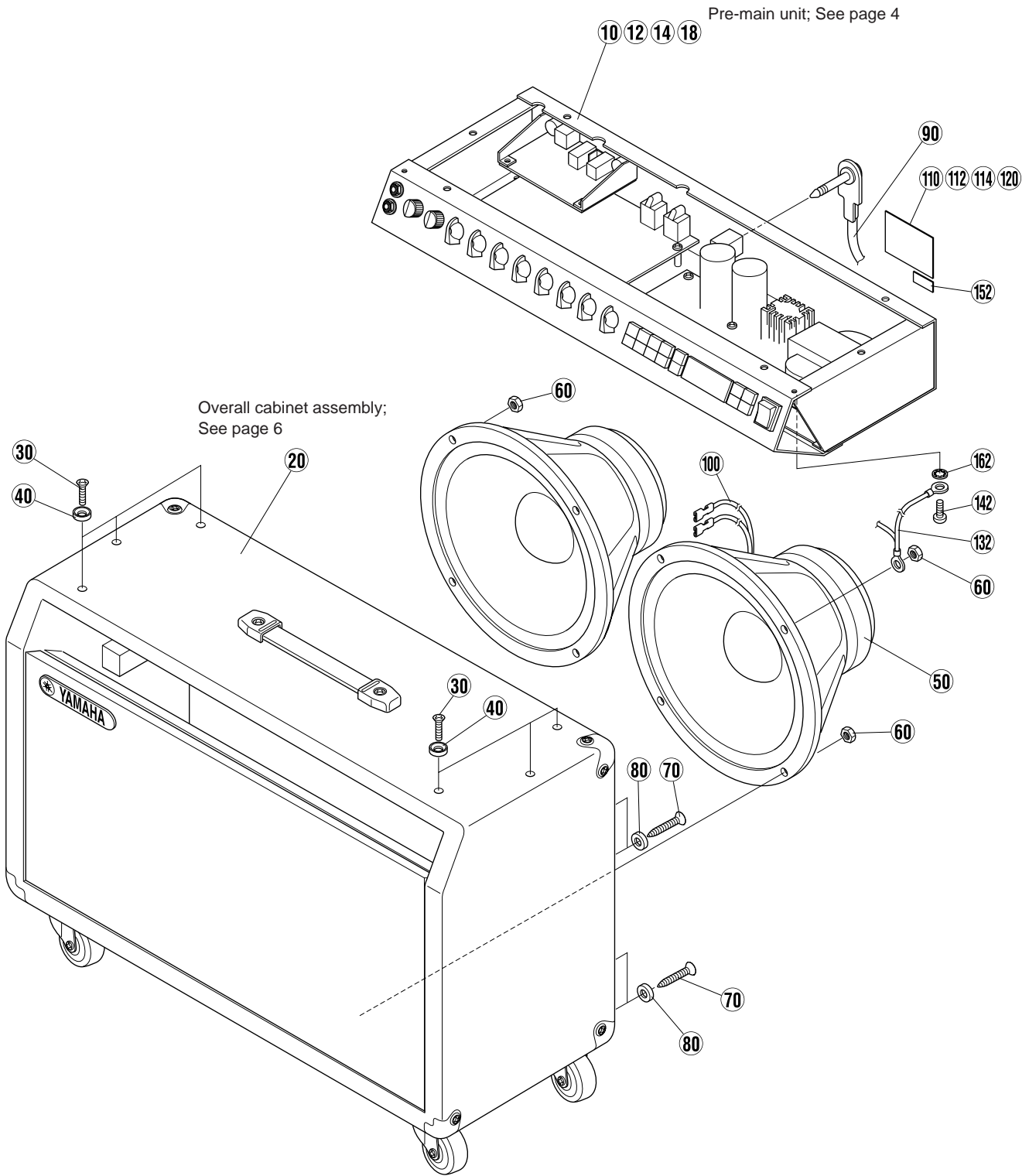
J : Japanese model	A : Australian model
U : U.S.A. model	E : European model
C : Canadian model	D : German model
X : General model	B : British model
M : South African model	I : Indonesian model
H : North European model	O : Chinese model

■ WARNING

Components having special characteristics are marked \triangle and must be replaced with parts having specifications equal to those originally installed.

<ul style="list-style-type: none">• The numbers in "QTY " show quantities for each unit.• The parts with "- - " in "PART NO. " are not available as spare parts.

OVERALL ASSEMBLY

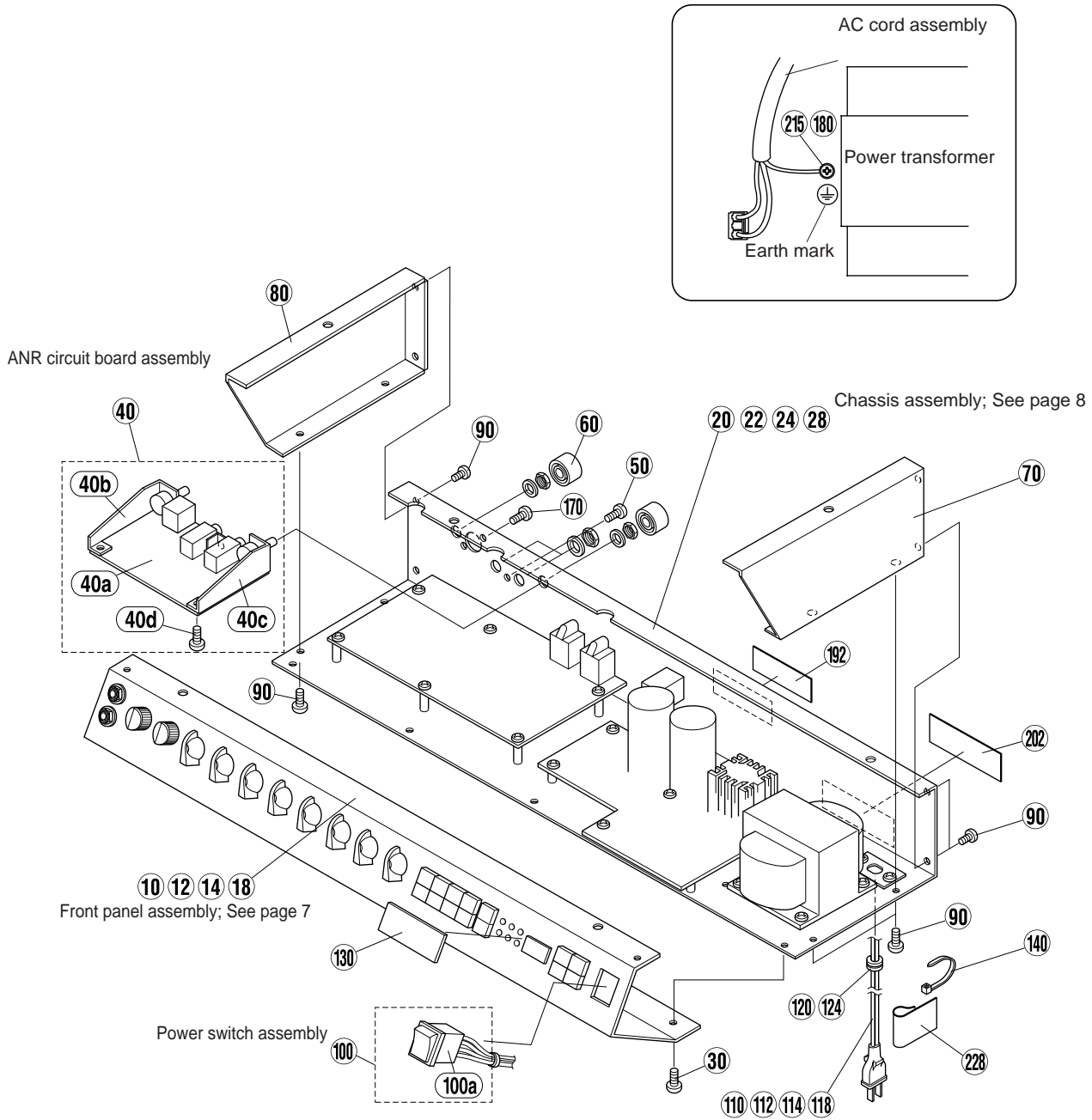


REF NO.	PART NO.	DESCRIPTION		REMARKS	QTY	RANK
		OVERALL ASSEMBLY		DG100-212		
10	--	Pre-main Unit		J (VZ74050)		
12	--	Pre-main Unit		U (VZ74060)		
14	--	Pre-main Unit		E (VZ74800)		
18	--	Pre-main Unit		B (VZ74810)		
* 20	VZ893900	OVERALL CABINET ASSEMBLY				
30	VP104600	Oval Head Screw	5.0X35 MFC2BL		6	01
40	EW300020	Washer	5S MFC2BL		6	01
* 50	XU436A00	Speaker	VINTAGE30		2	
60	EX000990	Hexagonal Nut	5.0 MFZN2BL	(2004040)	8	
70	EN240090	Oval Head Screw	4.0X30 MFC2BL		8	01
80	VB890200	Washer	4S MFC2BL		8	01
90	VR144600	Connector Assembly	L=500mm			06
100	VR145100	Connector Assembly	L=200mm			03
* 110	--	Name Plate		J (VZ74070)		
* 112	--	Name Plate		U (VZ74080)		
* 114	--	Name Plate		E,B (VZ73630)		
120	--	Label, Serial Numbe		(CB06869)	2	01
* 132	VZ992800	Connector Assembly	SP FRAME	U		
142	VP156800	Bind Head Screw	A4.0X8 MFZN2BL	U		01
152	--	Label		U (VA03930)		
* 162	ET800070	Toothed Lock Washer-A	4.0 MFZN2BL	U		

*: New Parts

RANK:Japan only

PRE-MAIN UNIT

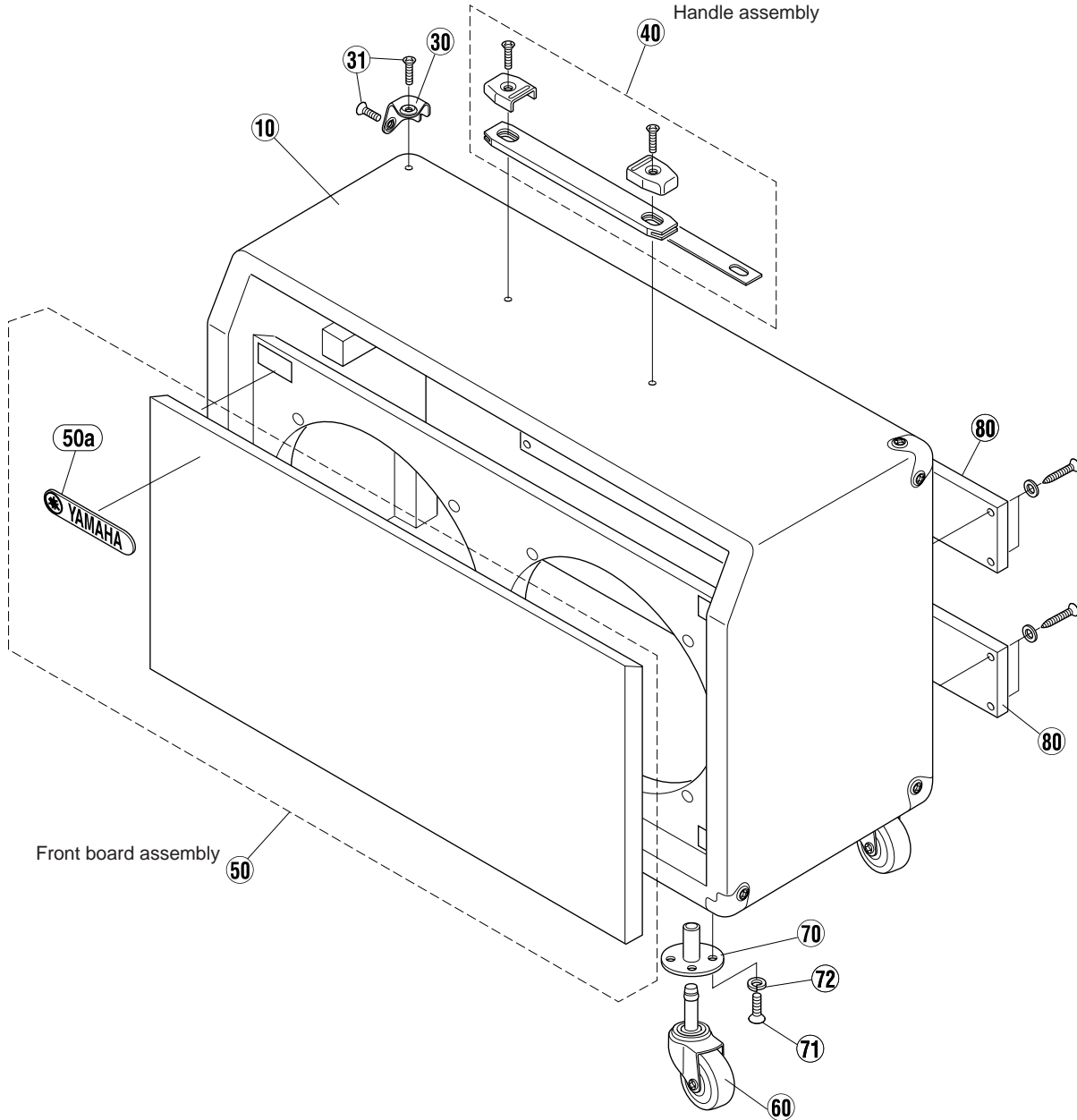


REF NO.	PART NO.	DESCRIPTION		REMARKS	QTY	RANK
		PRE-MAIN UNIT		DG100-212		
	--	Pre-main Unit		J (VZ74050)		
	--	Pre-main Unit		U (VZ74060)		
	--	Pre-main Unit		E (VZ74800)		
	--	Pre-main Unit		B (VZ74810)		
10	--	Front Panel Assembly		J (VZ74040)		
12	--	Front Panel Assembly		U (V001390)		
14	--	Front Panel Assembly		E (V001400)		
18	--	Front Panel Assembly		B (V001410)		
20	--	Chassis Assembly		J (VZ74020)		
22	--	Chassis Assembly		U (VZ74030)		
24	--	Chassis Assembly		E (VZ74780)		
28	--	Chassis Assembly		B (VZ74790)		
30	VP156800	Bind Head Screw	A4.0X8 MFZN2BL			
40	--	ANR Circuit Board Assembly		(VZ74390)	5	01
* 40a	VZ974400	Circuit Board	ANR	(XU365B0)		
* 40b	VZ746600	Sub Angle, L				
* 40c	VZ746500	Sub Angle, R				
40d	EK400500	Pan Head Screw	SP 3.0X8 MFZN2Y		2	01
50	VP156700	Bind Head Screw	A3.0X8 MFZN2BL			01
60	VU578300	Volume Knob		BLEND,LINE OUT LEVEL	2	04
* 70	VZ736500	Side Angle				
* 80	VZ736600	Side Angle				
90	VP156700	Bind Head Screw	A3.0X8 MFZN2BL		8	01
100	--	Power Switch Assembly		(V225770)		
△ * 100a	V2217000	Switch	JW	POWER switch		
△ * 110	MG000610	AC Cord	J 2P 15A 2.1m			06
△ * 112	VZ176600	AC Cord Assembly	UC 3P SJT VAR			
△ * 114	VZ971600	AC Cord Assembly	E 3P 6A VAR			
△ * 118	V2017600	AC Cord Assembly	BS 3P 10A 2.5m			
120	CB806850	Cord Strain Relief	SR-6N3-4			02
124	CB032840	Cord Strain Relief	SR-5N-4	E		03
* 130	VZ735700	Meter Cover	DG100-212			
140	CB069250	Cord Holder	BK-1		10	01
170	EP600190	Bind Head Tapping Screw-B	3.0X8 MFZN2BL		2	01
180	VP156800	Bind Head Screw	A4.0X8 MFZN2BL	U,E		01
* 192	V2135100	Label	C.UL			
202	--	FCC Label				
* 215	ET800070	Toothed Lock Washer-A	4.0 MFZN2BL	U,E (V222070)		
228	VH096700	Caution Label, Cord		B		01

*: New Parts

RANK:Japan only

OVERALL CABINET ASSEMBLY

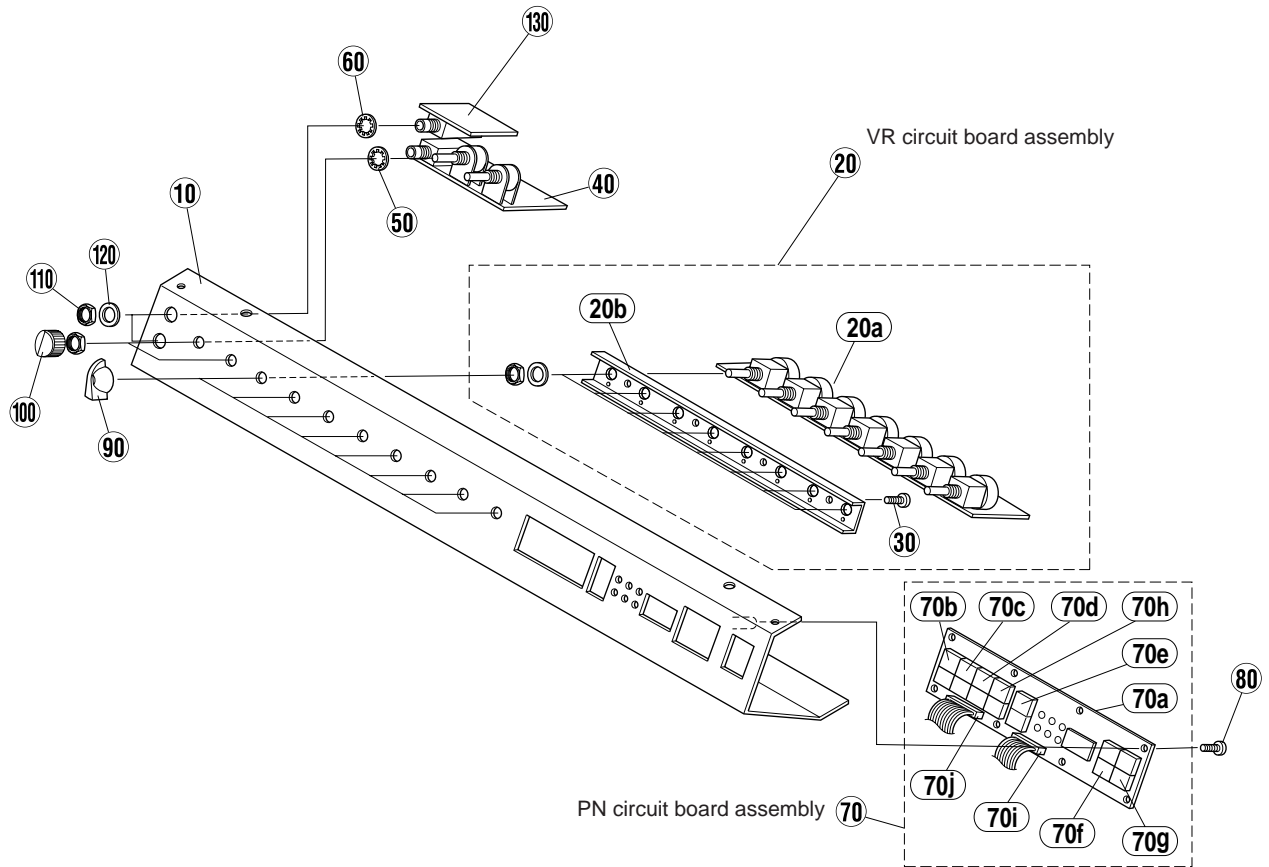


REF. NO.	PART NO.	DESCRIPTION	REMARKS	QTY	RANK
*	VZ893900	OVERALL CABINET ASSEMBLY	DG100-212		
	10	Cabinet Assembly	(VZ89410)		
	20	Vinyl	(VZ89440)		
	30	Corner	122KURO 9A	6	05
	31	Round Head Wood Screw	3.5X16 FNM33G	16	
	40	Handle Assembly			
*	50	Front Board Assembly			07
*	50a	Name Plate			
	60	Caster		4	
	70	Socket	NO.15 ZMC2-BL	4	06
	71	Bind Head Screw	5.0X20 ZMC2BL	16	04
	72	Spring Washer	#2 5.0 FCM3BL	16	01
*	80	Back Board		2	
*	90	Shield Sheet			

*: New Parts

RANK:Japan only

FRONT PANEL ASSEMBLY

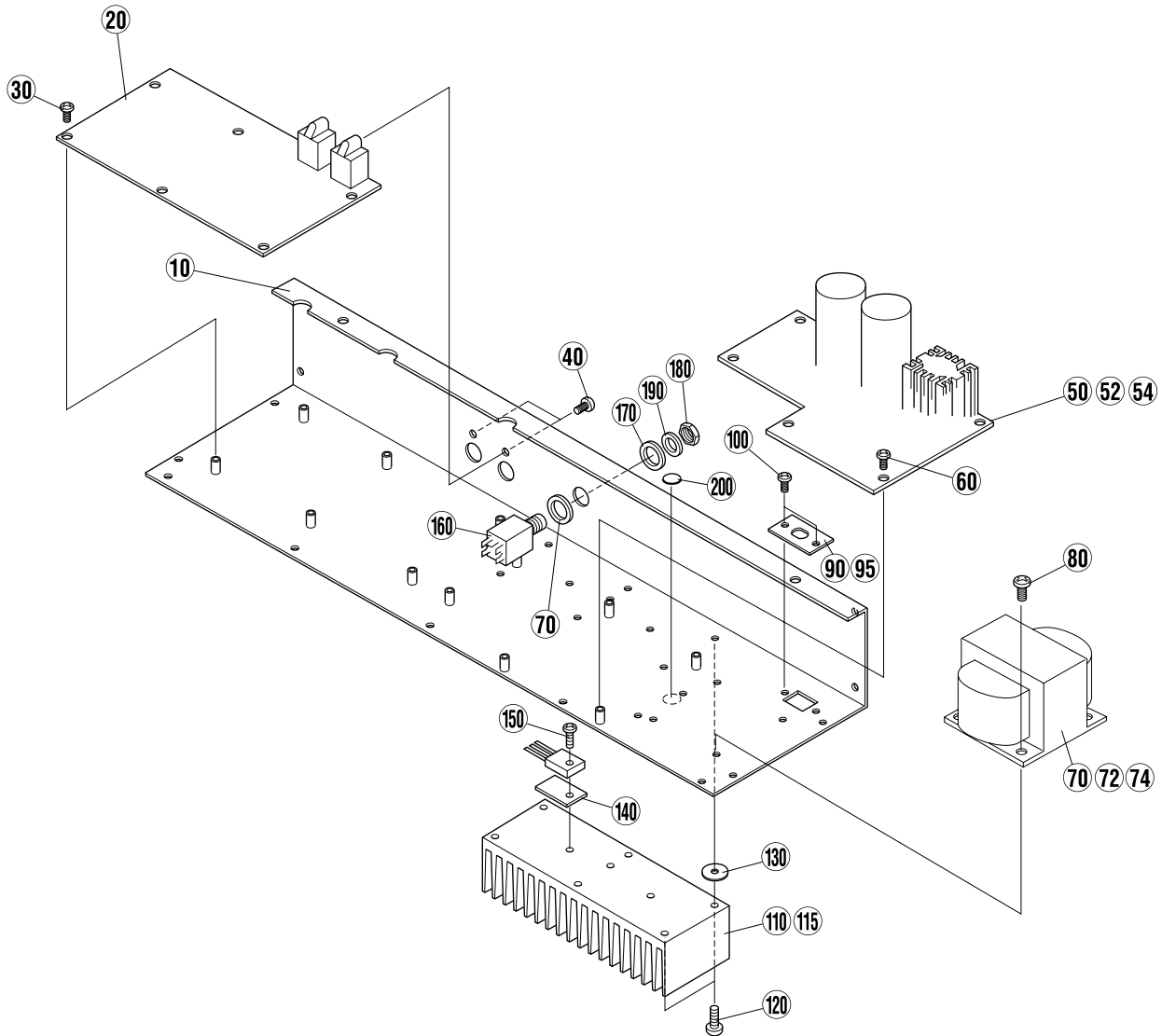


REF. NO.	PART NO.	DESCRIPTION		REMARKS	QTY	RANK
	--	Front Panel Assembly		DG100-212 J (VZ74040)		
	--	Front Panel Assembly		DG100-212 U (V001390)		
	--	Front Panel Assembly		DG100-212 E (V001400)		
	--	Front Panel Assembly		DG100-212 B (V001410)		
*	10	VZ736200	Front Panel			
	20	--	VR Circuit Board Assembly			
*	20a	VZ974200	Circuit Board	VR	(VZ74000)	
*	20b	VZ736100	Angle, Motor Volume		(XU365B0)	
	30	EP600230	Bind Head Tapping Screw-B	3.0X6 MFZN2BL		4 01
*	40	VZ974600	Circuit Board	ANF	(XU365B0)	
	50	ET800080	Toothed Lock Washer-A	7.0 MFZN2Y		2 01
	60	ET800150	Toothed Lock Washer-A	9.0 MFZN2Y		2 01
	70	--	PN Circuit Board Assembly		(VZ74010)	
*	70a	VZ772300	Circuit Board	PN	(XU332A0)	
	70b	VV374000	Top Cap Assembly		LEAD1/CRUNCH1	06
	70c	VV374100	Top Cap Assembly		LEAD2/CRUNCH2	06
*	70d	VZ739800	Top Cap Assembly		DRIVE1/CLEAN1	
*	70e	VZ739900	Top Cap Assembly		REVERB/MODE	
	70f	VV374500	Top Cap Assembly		cursor(up/down)	06
	70g	VV374600	Top Cap Assembly		STORE/RECALL	06
*	70h	V2134000	Top Cap Assembly		DRIVE2/CLEAN2	
	70i	--	PH Connector Assembly	11P L=300 C&C	(VZ97520)	
	70j	--	PH Connector Assembly	12P L=300 C&C	(VZ97530)	
	80	EP600230	Bind Head Tapping Screw-B	3.0X6 MFZN2BL		10 01
	90	VV945400	Knob, VOLUME(CH)		GAIN,.....,REVERB	8 05
	100	VU578300	Knob, VOLUME(S)		TRIM,OUTPUT	2 04
	110	LX200060	Hexagonal Nut	9.0 12X2 MFNI33		2 01
	120	VL802300	Flat Washer	9X14 0.5 FNM3		2 01
*	130	V2156100	Circuit Board	ANF2	(XU365B0)	

*: New Parts

RANK:Japan only

■ CHASSIS ASSEMBLY



REF NO.	PART NO.	DESCRIPTION		REMARKS	QTY	RANK
	--	Chassis Assembly		DG100-212 J (VZ74020)		
	--	Chassis Assembly		DG100-212 U (VZ74030)		
	--	Chassis Assembly		DG100-212 E (VZ74780)		
	--	Chassis Assembly		DG100-212 B (VZ74790)		
* 10	VZ735800	Chassis				
* 20	VZ771800	Circuit Board	DM	(XU331B0)		
30	EP600230	Bind Head Tapping Screw-B	3.0X6 MFZN2BL		8	01
40	EP600190	Bind Head Tapping Screw-B	3.0X8 MFZN2BL		2	01
* 50	VZ974000	Circuit Board	MAIN	J (XU365B0)		
* 52	VZ975900	Circuit Board	MAIN	U (XU365B0)		
* 54	VZ976300	Circuit Board	MAIN	E,B (XU365B0)		
60	EP600230	Bind Head Tapping Screw-B	3.0X6 MFZN2BL		6	01
△ * 70	XU118A00	Power Transformer		J		
△ * 72	XU295A00	Power Transformer		U		
△ * 74	XU296A00	Power Transformer		E,B		
80	VP156800	Bind Head Screw	A4.0X8 MFZN2BL		4	01
* 90	VZ735900	Bush Plate		J,U		
* 95	VZ736000	Bush Plate		E,B		
100	VP156600	Bind Head Screw	A3.0X6 MFZN2BL		2	01
* 110	VZ739200	Heat Sink		J,U		
* 115	V0029700	Heat Sink		E,B		
120	VP156900	Bind Head Screw	A4.0X12 MFZN2BL		6	01
* 130	VZ736400	Spacer, Heat Sink			6	
140	VK196000	Sheet	BFG-20ADH-6 22X29		2	01
150	EL200070	Pan Head Screw	SP 3.0X12 MFZN2Y		4	01
160	LB201120	Phone Jack	JL2B X-G7639	SPEAKER		03
170	VL786300	Spacer, Speaker Out	SR400B300G		2	04
180	LX200060	Hexagonal Nut	9.0 12X2 MFNI33			01
190	VL802300	Flat Washer	9X14 0.5 FNM3			01
200	CA060690	Earth Mark		U,E,B		01

*: New Parts

RANK:Japan only

ELECTRICAL PARTS

REF. NO.	PART NO.	DESCRIPTION		REMARKS	QTY	RANK
		ELECTRICAL PARTS		DG100-212		
*	VZ771800	Circuit Board	DM	(XU331B0)		
*	VZ974000	Circuit Board	MAIN	J (XU365B0)		
*	VZ975900	Circuit Board	MAIN	U (XU365B0)		
*	VZ976300	Circuit Board	MAIN	E,B (XU365B0)		
*	VZ974200	Circuit Board	VR	(XU365B0)		
*	VZ974600	Circuit Board	ANF	(XU365B0)		
*	V2156100	Circuit Board	ANF2	(XU365B0)		
*	VZ974400	Circuit Board	ANR	(XU365B0)		
*	VZ772300	Circuit Board	PN	(XU332B0)		
	VZ771800	Circuit Board	DM	(XU331B0)		
BT1	VS246400	Lithium Battery	CR2450			03
BT1	VS246300	Battery Holder	CR2450BH			03
C001	UB245100	Monolithic Ceramic Cap.	F 0.100 25V Z			01
C003	UB245100	Monolithic Ceramic Cap.	F 0.100 25V Z			01
-006	UB245100	Monolithic Ceramic Cap.	F 0.100 25V Z			01
C013	UB245100	Monolithic Ceramic Cap.	F 0.100 25V Z			01
C024	UB245100	Monolithic Ceramic Cap.	F 0.100 25V Z			01
C025	UB245100	Monolithic Ceramic Cap.	F 0.100 25V Z			01
C027	UB245100	Monolithic Ceramic Cap.	F 0.100 25V Z			01
C030	UB245100	Monolithic Ceramic Cap.	F 0.100 25V Z			01
C034	UB245100	Monolithic Ceramic Cap.	F 0.100 25V Z			01
C037	UB245100	Monolithic Ceramic Cap.	F 0.100 25V Z			01
C040	UB245100	Monolithic Ceramic Cap.	F 0.100 25V Z			01
C042	UB245100	Monolithic Ceramic Cap.	F 0.100 25V Z			01
C044	UB245100	Monolithic Ceramic Cap.	F 0.100 25V Z			01
C050	UB245100	Monolithic Ceramic Cap.	F 0.100 25V Z			01
C053	UB245100	Monolithic Ceramic Cap.	F 0.100 25V Z			01
-055	UB245100	Monolithic Ceramic Cap.	F 0.100 25V Z			01
C058	UB051120	Monolithic Ceramic Cap.	SL 12P 50V J			01
C059	UB052100	Monolithic Ceramic Cap.	SL 100P 50V J			01
C060	UB245100	Monolithic Ceramic Cap.	F 0.100 25V Z			01
C061	UB245100	Monolithic Ceramic Cap.	F 0.100 25V Z			01
C063	UB245100	Monolithic Ceramic Cap.	F 0.100 25V Z			01
C064	UB245100	Monolithic Ceramic Cap.	F 0.100 25V Z			01
C066	UB245100	Monolithic Ceramic Cap.	F 0.100 25V Z			01
C067	UB245100	Monolithic Ceramic Cap.	F 0.100 25V Z			01
C068	UB044100	Monolithic Ceramic Cap.	F 0.010 50V Z			01
C069	UB044100	Monolithic Ceramic Cap.	F 0.010 50V Z			01
C071	UB245100	Monolithic Ceramic Cap.	F 0.100 25V Z			01
C074	UB245100	Monolithic Ceramic Cap.	F 0.100 25V Z			01
C077	UB245100	Monolithic Ceramic Cap.	F 0.100 25V Z			01
* C078	UR828100	Electrolytic Cap.	100.00 10.0V			
* -081	UR828100	Electrolytic Cap.	100.00 10.0V			
* C082	UR848220	Electrolytic Cap.	220.00 25.0V			
C083	UR847100	Electrolytic Cap.	10.00 25.0V			01
C084	UR847100	Electrolytic Cap.	10.00 25.0V			01
C085	UB245100	Monolithic Ceramic Cap.	F 0.100 25V Z			01
C091	UB245100	Monolithic Ceramic Cap.	F 0.100 25V Z			01
-096	UB245100	Monolithic Ceramic Cap.	F 0.100 25V Z			01
C097	VD930900	Semiconductive Cera. Cap.	0.1000 25V M			01
C098	VD930900	Semiconductive Cera. Cap.	0.1000 25V M			01
C101	VJ899000	Monolithic Ceramic Cap.	CH 5P 50V C			01
C102	VJ899000	Monolithic Ceramic Cap.	CH 5P 50V C			01
C103	UB245100	Monolithic Ceramic Cap.	F 0.100 25V Z			01
C104	UR847100	Electrolytic Cap.	10.00 25.0V			01
C105	UR847100	Electrolytic Cap.	10.00 25.0V			01
C106	UB245100	Monolithic Ceramic Cap.	F 0.100 25V Z			01
C107	UR847100	Electrolytic Cap.	10.00 25.0V			01
C108	UR847100	Electrolytic Cap.	10.00 25.0V			01
C109	UN847100	Electrolytic Cap.-BP	10.00 25.0V			01
C110	UN847100	Electrolytic Cap.-BP	10.00 25.0V			01
C111	UB245100	Monolithic Ceramic Cap.	F 0.100 25V Z			01
C112	FG651680	Ceramic Capacitor-SL	68P 50V J			01
C113	FG651680	Ceramic Capacitor-SL	68P 50V J			01
C114	FG651220	Ceramic Capacitor-SL	22P 50V J			01
C115	FG651220	Ceramic Capacitor-SL	22P 50V J			01
C116	UB245100	Monolithic Ceramic Cap.	F 0.100 25V Z			01
C117	UA353680	Mylar Capacitor	6800P 50V J			01

*: New Parts

RANK:Japan only

REF NO.	PART NO.	DESCRIPTION		REMARKS	QTY	RANK
C118	UA353680	Mylar Capacitor	6800P 50V J			01
C119	VD930900	Semiconductive Cera. Cap.	0.1000 25V M			01
C120	UB245100	Monolithic Ceramic Cap.	F 0.100 25V Z			01
C121	VD534400	Monolithic Ceramic Cap.	1.500 25V Z			01
C122	VD930900	Semiconductive Cera. Cap.	0.1000 25V M			01
C123	VD534400	Monolithic Ceramic Cap.	1.500 25V Z			01
C124	UR847100	Electrolytic Cap.	10.00 25.0V			01
C125	UR847100	Electrolytic Cap.	10.00 25.0V			01
C126	VD930900	Semiconductive Cera. Cap.	0.1000 25V M			01
-129	VD930900	Semiconductive Cera. Cap.	0.1000 25V M			01
C130	VD534400	Monolithic Ceramic Cap.	1.500 25V Z			01
C131	UR847220	Electrolytic Cap.	22.00 25.0V			01
C132	UR847220	Electrolytic Cap.	22.00 25.0V			01
C133	UR847100	Electrolytic Cap.	10.00 25.0V			01
-136	UR847100	Electrolytic Cap.	10.00 25.0V			01
C137	VD930900	Semiconductive Cera. Cap.	0.1000 25V M			01
-140	VD930900	Semiconductive Cera. Cap.	0.1000 25V M			01
C141	UR847220	Electrolytic Cap.	22.00 25.0V			01
-143	UR847220	Electrolytic Cap.	22.00 25.0V			01
C144	UR847470	Electrolytic Cap.	47.00 25.0V			01
C145	UR847220	Electrolytic Cap.	22.00 25.0V			01
C146	UR847470	Electrolytic Cap.	47.00 25.0V			01
C147	UR848100	Electrolytic Cap.	100.00 25.0V			01
C148	UR848100	Electrolytic Cap.	100.00 25.0V			01
C151	UR847220	Electrolytic Cap.	22.00 25.0V			01
C152	UR847220	Electrolytic Cap.	22.00 25.0V			01
C155	VD930900	Semiconductive Cera. Cap.	0.1000 25V M			01
C156	VD930900	Semiconductive Cera. Cap.	0.1000 25V M			01
C157	FG651680	Ceramic Capacitor-SL	68P 50V J			01
C158	FG651680	Ceramic Capacitor-SL	68P 50V J			01
C159	UA353330	Mylar Capacitor	3300P 50V J			01
C160	UA353330	Mylar Capacitor	3300P 50V J			01
C163	UR847220	Electrolytic Cap.	22.00 25.0V			01
C164	UR847220	Electrolytic Cap.	22.00 25.0V			01
C165	UA352470	Mylar Capacitor	470P 50V J			01
C166	UA352470	Mylar Capacitor	470P 50V J			01
C167	UA353820	Mylar Capacitor	8200P 50V J			01
C168	UA353820	Mylar Capacitor	8200P 50V J			01
C169	UR847220	Electrolytic Cap.	22.00 25.0V			01
C170	UR847220	Electrolytic Cap.	22.00 25.0V			01
C171	UR847100	Electrolytic Cap.	10.00 25.0V			01
-174	UR847100	Electrolytic Cap.	10.00 25.0V			01
C175	UN847100	Electrolytic Cap.-BP	10.00 25.0V			01
C176	UN847100	Electrolytic Cap.-BP	10.00 25.0V			01
C177	UR847100	Electrolytic Cap.	10.00 25.0V			01
-180	UR847100	Electrolytic Cap.	10.00 25.0V			01
C181	VD930900	Semiconductive Cera. Cap.	0.1000 25V M			01
-190	VD930900	Semiconductive Cera. Cap.	0.1000 25V M			01
C191	UB245100	Monolithic Ceramic Cap.	F 0.100 25V Z			01
-195	UB245100	Monolithic Ceramic Cap.	F 0.100 25V Z			01
C196	UB052100	Monolithic Ceramic Cap.	SL 100P 50V J			01
CN102	LB918080	Base Post Connector	XH- 8P TE			01
CN004	VB390400	Connector Base Post	PH- 8P TE			01
CN005	VB390500	Connector Base Post	PH- 9P TE			03
CN006	VB390700	Connector Base Post	PH-11P TE			01
CN007	VB390800	Connector Base Post	PH-12P TE			01
CN008	LB932040	Base Post Connector	VH- 4P TE			01
CN009	VB390600	Connector Base Post	PH-10P TE			01
CN101	VB389800	Connector Base Post	PH- 2P TE			01
D1	VT332900	Diode (chip)	1SS355 TE-17			01
EM001	FZ006970	LC Filter	LS MT Y223NB			02
-011	FZ006970	LC Filter	LS MT Y223NB			02
EM101	FZ006970	LC Filter	LS MT Y223NB			02
-103	FZ006970	LC Filter	LS MT Y223NB			02
EM104	FZ006920	LC Filter	LS MT B271KB			01
-106	FZ006920	LC Filter	LS MT B271KB			01
IC002	XQ962D00	IC	YSS228E-F	DSP3		20
IC003	XQ962D00	IC	YSS228E-F	DSP3		20
IC004	IG102500	IC	NE5532P	OP AMP		06
IC005	IG102500	IC	NE5532P	OP AMP		06

*: New Parts

RANK:Japan only

REF NO.	PART NO.	DESCRIPTION	REMARKS	QTY	RANK
* IC008	XU462A00	IC	MSM514260C-60TS-K	DRAM 4M	
IC008	XT776A00	IC	UPD424260G5-70-7JF	DRAM 4M	16
* IC011	XU462A00	IC	MSM514260C-60TS-K	DRAM 4M	
IC011	XT776A00	IC	UPD424260G5-70-7JF	DRAM 4M	16
IC012	XS544A00	IC	W24257S-70LL	SRAM 256K	07
IC013	XQ375A00	IC	HD6413002FP16	CPU	09
IC014	XS544A00	IC	W24257S-70LL	SRAM 256K	07
IC018	XH603A00	IC	TC74HC157AF-TP1	DATA SELECTOR	03
IC019	XR967A00	IC	MB3790PF	ASSP	05
IC021	XQ042A00	IC	SN74HC374ANSR	D-FF	03
IC025	VR903700	Photo Coupler	HCPL-M600		04
IC027	XQ042A00	IC	SN74HC374ANSR	D-FF	03
IC028	XN963A00	IC	TC74VHC32F	OR	01
IC029	XN963A00	IC	TC74VHC32F	OR	01
IC033	XD831A00	IC	SN74HC08NSR	AND	01
* IC034	XU707A00	IC	MBM29F400-BA-70	FLASH ROM 4M	
IC035	XD233A00	IC	SN74HC244ANSR	BUFFER	03
IC036	XD233A00	IC	SN74HC244ANSR	BUFFER	03
IC101	XD660A00	IC	TC74HCU04AF-TP1	INVERTER	01
IC102	XR684A00	IC	TC74HC4040F	B.COUNTER	03
IC110	XQ967A00	IC	TC74HC164AF	SHIFT REGISTER	03
IC117	XD658A00	IC	TC74HC175AF-TP1	D-FF	02
IC118	XQ199A00	IC	AK5390-VP	A/D CONVERTER	22
IC119	XK280A00	IC	YSF210-M	DIGITAL FILTER	10
IC120	XA507A00	IC	AN78N05	REGULATOR +5V	02
IC121	XG780A00	IC	AN79N05	REGULATOR +5V	02
IC122	XN136A00	IC	PCM1702P	D/A CONVERTER	08
IC123	XN136A00	IC	PCM1702P	D/A CONVERTER	08
IC124	IG102500	IC	NE5532P	OP AMP	06
IC125	IG102500	IC	NE5532P	OP AMP	06
IC128	XA507A00	IC	AN78N05	REGULATOR +5V	02
IC129	XG780A00	IC	AN79N05	REGULATOR +5V	02
IC130	XT384A00	IC	PST600C-MMP3P	SYSTEM RESET	03
JK1	VK519000	DIN Connector	5P3 YKF51-50B	MIDI IN/OUT	04
L1-4	VS740100	Chip Inductance	BLM21B751S 2125		03
R002	RD255270	Carbon Resistor (chip)	270.0 0.1 J		01
R005	RD257100	Carbon Resistor (chip)	10.0K 0.1 J		01
R006	RD257100	Carbon Resistor (chip)	10.0K 0.1 J		01
R008	RD255100	Carbon Resistor (chip)	100.0 0.1 J		01
R014	RD255100	Carbon Resistor (chip)	100.0 0.1 J		01
R015	RD255100	Carbon Resistor (chip)	100.0 0.1 J		01
R018	RD255100	Carbon Resistor (chip)	100.0 0.1 J		01
R025	RD257100	Carbon Resistor (chip)	10.0K 0.1 J		01
R028	RD257100	Carbon Resistor (chip)	10.0K 0.1 J		01
R031	RD257100	Carbon Resistor (chip)	10.0K 0.1 J		01
R032	RD257100	Carbon Resistor (chip)	10.0K 0.1 J		01
R035	RD256100	Carbon Resistor (chip)	1.0K 0.1 J		01
R036	RD257100	Carbon Resistor (chip)	10.0K 0.1 J		01
R037	RD257100	Carbon Resistor (chip)	10.0K 0.1 J		01
R038	RD257100	Carbon Resistor (chip)	10.0K 0.1 J		01
R040	RD256220	Carbon Resistor (chip)	2.2K 0.1 J		01
R043	RD255220	Carbon Resistor (chip)	220.0 0.1 J		01
R044	RD255220	Carbon Resistor (chip)	220.0 0.1 J		01
R046	RD255220	Carbon Resistor (chip)	220.0 0.1 J		01
R049	RD257100	Carbon Resistor (chip)	10.0K 0.1 J		01
R101	RD259100	Carbon Resistor (chip)	1.0M 0.1 J		01
R102	RD255680	Carbon Resistor (chip)	680.0 0.1 J		01
R105	HF757100	Carbon Resistor	10.0K 1/4 J		01
R106	HF757100	Carbon Resistor	10.0K 1/4 J		01
R107	RD255220	Carbon Resistor (chip)	220.0 0.1 J		01
R108	HF756330	Carbon Resistor	3.3K 1/4 J		01
-111	HF756330	Carbon Resistor	3.3K 1/4 J		01
R112	HF756560	Carbon Resistor	5.6K 1/4 J		01
-117	HF756560	Carbon Resistor	5.6K 1/4 J		01
R118	HF754470	Carbon Resistor	47.0 1/4 J		01
-121	HF754470	Carbon Resistor	47.0 1/4 J		01
R122	HF756100	Carbon Resistor	1.0K 1/4 J		01
R123	HF754100	Carbon Resistor	10.0 1/4 J		01
R125	RD254100	Carbon Resistor (chip)	10.0 0.1 J		01
-128	RD254100	Carbon Resistor (chip)	10.0 0.1 J		01

*: New Parts

RANK:Japan only

REF NO.	PART NO.	DESCRIPTION		REMARKS	QTY	RANK
R129	HF755820	Carbon Resistor	820.0 1/4 J			01
R130	HF755820	Carbon Resistor	820.0 1/4 J			01
R131	HF756470	Carbon Resistor	4.7K 1/4 J			01
R132	HF756470	Carbon Resistor	4.7K 1/4 J			01
R133	HF756220	Carbon Resistor	2.2K 1/4 J			01
-138	HF756220	Carbon Resistor	2.2K 1/4 J			01
R139	HF756100	Carbon Resistor	1.0K 1/4 J			01
R140	HF756100	Carbon Resistor	1.0K 1/4 J			01
R141	HF758100	Carbon Resistor	100.0K 1/4 J			01
R142	HF758100	Carbon Resistor	100.0K 1/4 J			01
R143	HF756470	Carbon Resistor	4.7K 1/4 J			01
RA1	RE047100	Resistor Array	10KX4			01
-16	RE047100	Resistor Array	10KX4			01
TR1	VV556400	Transistor	2SC2412K Q,R,S			01
TR2	VV556400	Transistor	2SC2412K Q,R,S			01
X001	VU682100	Quartz Crystal Unit	30.00M HZ DOC-49S2			06
X003	VE463500	Quartz Crystal Unit	AT-49/12.0000MHZ			03
X101	VN277000	Quartz Crystal Unit	24.576M AF3817CQA			03
*	VZ974000	Circuit Board	MAIN	J (XU365B0)		
*	VZ975900	Circuit Board	MAIN	U (XU365B0)		
*	VZ976300	Circuit Board	MAIN	E,B (XU365B0)		
*	VZ974200	Circuit Board	VR	(XU365B0)		
*	VZ974600	Circuit Board	ANF	(XU365B0)		
*	V2156100	Circuit Board	ANF2	(XU365B0)		
*	VZ974400	Circuit Board	ANR	(XU365B0)		
	EP630230	Bind Head Tapping Screw-C	3.0X8 MFZN2BL			01
	VA078900	Jumper Wire	0.55			
	VE646600	Heat Sink	OSH-4725C-1			
△	C301	Capacitor	4700P 400V U.C.S.V			01
	C302	Polypropylene Capacitor	0.022U/630V			01
	C303	Monolithic Ceramic Cap.	0.100 50V Z			01
	C304	Semiconductive Cera. Cap.	0.1000 25V M			01
*	C305	Electrolytic Cap.	2200U 160V			
*	C306	Electrolytic Cap.	1000 35.0V			
*	C307	Electrolytic Cap.	1000 35.0V			
*	C308	Electrolytic Cap.	3300 16.0V			
	C309	Ceramic Capacitor-F	0.0100 50V Z			01
	C310	Ceramic Capacitor-F	0.0100 50V Z			01
*	C311	Electrolytic Cap.	3300 16.0V			
	C312	Ceramic Capacitor-F	0.0100 50V Z			01
*	C313	Electrolytic Cap.	1.0 100.0V			
	C314	Electrolytic Cap.	10.00 25.0V			01
	C315	Electrolytic Cap.	10.00 25.0V			01
	C316	Ceramic Capacitor-F	0.0100 50V Z			01
	C317	Ceramic Capacitor-F	0.0100 50V Z			01
	C318	Electrolytic Cap.-BP	10.00 25.0V			01
*	C319	Electrolytic Cap.	22.00 50.0V			
*	C320	Electrolytic Cap.	1.0 100.0V			
*	C321	Electrolytic Cap.	1.00 50.0V			
	C322	Electrolytic Cap.	10.00 25.0V			01
*	C323	Electrolytic Cap.	1.0 100.0V			
*	C324	Ceramic Capacitor-SL	47P 500V K			
*	C325	Electrolytic Cap.	47.0 100.0V			
	C326	Electrolytic Cap.	10.0 100.0V			01
*	C327	Ceramic Capacitor-SL	47P 500V K			
	C329	Ceramic Capacitor-F	0.0100 50V Z			01
	C330	Electrolytic Cap.	10.00 25.0V			01
	C331	Electrolytic Cap.	10.00 25.0V			01
	C332	Ceramic Capacitor-F	0.0100 50V Z			01
	C333	Mylar Capacitor	0.0100 50V J			01
	C334	Mylar Capacitor	0.1000 50V J			01
*	C335	Electrolytic Cap.	2200U 160V			
	C336	Semiconductive Cera. Cap.	0.1000 25V M			01
	-338	Semiconductive Cera. Cap.	0.1000 25V M			01
*	C401	Electrolytic Cap.	1.00 50.0V			
	C402	Electrolytic Cap.	10.00 25.0V			01
	-405	Electrolytic Cap.	10.00 25.0V			01
*	C406	Electrolytic Cap.	1.00 50.0V			
	C407	Mylar Capacitor	0.1000 50V J			01

*: New Parts

RANK:Japan only

REF. NO.	PART NO.	DESCRIPTION		REMARKS	QTY	RANK
C408	UA355100	Mylar Capacitor	0.1000 50V J			01
C409	UR847100	Electrolytic Cap.	10.00 25.0V			01
C410	FG652100	Ceramic Capacitor-SL	100P 50V J			01
C411	UR847330	Electrolytic Cap.	33.00 25.0V			
C412	UR847100	Electrolytic Cap.	10.00 25.0V			01
C413	FG613100	Ceramic Capacitor-B	1000P 50V K			01
* C414	UR866100	Electrolytic Cap.	1.00 50.0V			
C415	FG652100	Ceramic Capacitor-SL	100P 50V J			01
C416	UR847100	Electrolytic Cap.	10.00 25.0V			01
-418	UR847100	Electrolytic Cap.	10.00 25.0V			01
C419	UR847220	Electrolytic Cap.	22.00 25.0V			
C420	UR847220	Electrolytic Cap.	22.00 25.0V			
C421	UR847100	Electrolytic Cap.	10.00 25.0V			01
C422	FG652100	Ceramic Capacitor-SL	100P 50V J			01
C423	UR847100	Electrolytic Cap.	10.00 25.0V			01
C424	UR847100	Electrolytic Cap.	10.00 25.0V			01
C425	FG652100	Ceramic Capacitor-SL	100P 50V J			01
C426	VD930900	Semiconductive Cera. Cap.	0.1000 25V M			01
-428	VD930900	Semiconductive Cera. Cap.	0.1000 25V M			01
* C501	UR866100	Electrolytic Cap.	1.00 50.0V			
C502	FG652100	Ceramic Capacitor-SL	100P 50V J			01
C503	UR847100	Electrolytic Cap.	10.00 25.0V			01
-506	UR847100	Electrolytic Cap.	10.00 25.0V			01
C507	UA355100	Mylar Capacitor	0.1000 50V J			01
C508	UA355100	Mylar Capacitor	0.1000 50V J			01
* C601	UR848220	Electrolytic Cap.	220.00 25.0V			
C602	FG644100	Ceramic Capacitor-F	0.0100 50V Z			01
C603	UR847100	Electrolytic Cap.	10.00 25.0V			01
C604	VD930900	Semiconductive Cera. Cap.	0.1000 25V M			01
C605	VD930900	Semiconductive Cera. Cap.	0.1000 25V M			01
C606	FG644100	Ceramic Capacitor-F	0.0100 50V Z			01
C607	VD930900	Semiconductive Cera. Cap.	0.1000 25V M			01
C608	FG644100	Ceramic Capacitor-F	0.0100 50V Z			01
C609	VD930900	Semiconductive Cera. Cap.	0.1000 25V M			01
C610	FG644100	Ceramic Capacitor-F	0.0100 50V Z			01
C611	VD930900	Semiconductive Cera. Cap.	0.1000 25V M			01
C612	VD930900	Semiconductive Cera. Cap.	0.1000 25V M			01
C613	FG644100	Ceramic Capacitor-F	0.0100 50V Z			01
C614	VD930900	Semiconductive Cera. Cap.	0.1000 25V M			01
C615	FG644100	Ceramic Capacitor-F	0.0100 50V Z			01
C616	VD930900	Semiconductive Cera. Cap.	0.1000 25V M			01
C617	FG644100	Ceramic Capacitor-F	0.0100 50V Z			01
C618	VD930900	Semiconductive Cera. Cap.	0.1000 25V M			01
C619	FG644100	Ceramic Capacitor-F	0.0100 50V Z			01
C701	VR168700	Monolithic Mylar Capacitor	ECQ-V1H224JL3			01
C702	FG652100	Ceramic Capacitor-SL	100P 50V J			01
C703	UR847100	Electrolytic Cap.	10.00 25.0V			01
C704	VR168700	Monolithic Mylar Capacitor	ECQ-V1H224JL3			01
C705	FG652100	Ceramic Capacitor-SL	100P 50V J			01
C706	UR847100	Electrolytic Cap.	10.00 25.0V			01
C707	UR847100	Electrolytic Cap.	10.00 25.0V			01
C708	UR847100	Electrolytic Cap.	10.00 25.0V			01
CN301	LB918030	Base Post Connector	XH- 3P TE			01
CN302	LB932050	Base Post Connector	VH- 5P TE			01
CN303	LB932040	Base Post Connector	VH- 4P TE			01
CN304	---	Shield Wire	2P L=250 B&C		(VZ97560)	
CN305	---	XH Connector Assembly	4P L=400 B&C		(VZ97470)	
CN306	---	XH Connector Assembly	5P L=450 B&C		(VZ97480)	
CN307	---	XH Connector Assembly	3P L=60 B&C		(VZ97430)	
CN308	---	VH Connector Assembly	4P L=250 B&C 105°C		(VZ97390)	
CN309	---	Connector Assembly	3P L=200MM		(VR14290)	
CN310	---	Connector Assembly	3P L=200MM		(VR14290)	
CN312	---	Connector Assembly	3P L=200MM		(VR14290)	
CN314	---	Connector Assembly	3P L=200MM		(VR14290)	
CN315	---	Connector Assembly	3P L=200MM		(VR14290)	
CN317	---	Connector Assembly	3P L=200MM		(VR14290)	
CN318	VG879900	Base Post Connector	VA- 2P TE	U,C,B,E		01
CN401	---	Shield Wire	8P L=100 B&C		(VZ97580)	
CN402	LB918020	Base Post Connector	XH- 2P TE			01
CN403	VB389900	Connector Base Post	PH- 3P TE			01

*: New Parts

RANK:Japan only

REF NO.	PART NO.	DESCRIPTION		REMARKS	QTY	RANK
CN404	LB918040	Base Post Connector	XH- 4P TE			01
CN501	---	Shield Wire	3P L=250 B&C	(VZ97570)		
CN502	---	Shield Wire	2P L=100 B&C	(VZ97550)		
CN503	LB918050	Base Post Connector	XH- 5P TE			01
CN504	VB390200	Connector Base Post	PH- 6P TE			01
CN601	LB918030	Base Post Connector	XH- 3P TE			01
CN602	---	PH Connector Assembly	8P L=100 B&C	(VZ97490)		
CN603	---	PH Connector Assembly	10P L=100 B&C	(VZ97510)		
CN604	---	PH Connector Assembly	9P L=100 B&C	(VZ97500)		
CN701	---	PH Connector Assembly	6P L=70 B&C	(V207050)		
D301	VB941200	Diode	1SS133,1SS176			01
-309	VB941200	Diode	1SS133,1SS176			01
D401	VB941200	Diode	1SS133,1SS176			01
D402	VB941200	Diode	1SS133,1SS176			01
D501	VB941200	Diode	1SS133,1SS176			01
-505	VB941200	Diode	1SS133,1SS176			01
D701	VB941200	Diode	1SS133,1SS176			01
-704	VB941200	Diode	1SS133,1SS176			01
△ DB301	IH001370	Diode Stack	D5FB20 5.0A 200V			05
△ DB302	IH001090	Diode	S4VB20 2.6A 200V			04
△ DB303	VS197600	Diode Stack	S1VB20 1.0A 200V			02
EM601	FZ006970	LC Filter	LS MT Y223NB			02
△ * F301	V0014600	Fuse	T 3.00A JUC	J,U		
△ F301	KB001660	Fuse	T 1.60AL/250V S	E,B		02
F301	LB201530	Fuse Holder	PC-PH1			01
△ * F302	VZ093400	Fuse	TL 0.5A J.U.C	J,U		
△ F302	KB000710	Fuse	T 500 AL/250V S	E,B		02
F302	LB201530	Fuse Holder	PC-PH1			01
△ * F303	VZ093400	Fuse	TL 0.5A J.U.C	J,U		
△ F303	KB000710	Fuse	T 500 AL/250V S	E,B		02
F303	LB201530	Fuse Holder	PC-PH1			01
△ * F304	V0014600	Fuse	T 3.00A JUC	J,U		
△ F304	KB000760	Fuse	T 3.15AL/250V S	E,B		02
F304	LB201530	Fuse Holder	PC-PH1			01
△ F305	KB000750	Fuse	T 2.00AL/250V	E,B		02
△ F305	VS822500	Fuse	T 2.00A JUC	J,U		02
F305	LB201530	Fuse Holder	PC-PH1			01
FT301	IE000010	FET	2SK30ATM Y			03
FT302	IE000010	FET	2SK30ATM Y			03
△ IC301	XD853A00	IC	NJM7815FA	REGULATOR		03
△ IC302	XD854A00	IC	NJM7915FA	REGULATOR		03
IC303	XJ607A00	IC	NJM7805FA	REGULATOR +5V		02
IC401	IG107000	IC	NJM072D	OPAMP		04
-403	IG107000	IC	NJM072D	OPAMP		04
IC501	IG107000	IC	NJM072D	OPAMP		04
IC601	XF494A00	IC	LB1641	MOTOR DRIVER		03
-608	XF494A00	IC	LB1641	MOTOR DRIVER		03
IC701	IG107000	IC	NJM072D	OPAMP		04
JK401	VS133700	XLM Connector	NC3MAH	LINE OUT		04
JK402	VL790300	Jack	HLJ3305-01-3000	SEND		03
JK403	VL830500	Jack	HLJ3305-01-3030	RETURN		03
JK501	LB301800	Phone Jack	HLJ0544	INPUT LOW		03
JK701	LB301800	Phone Jack	HLJ0544	INPUT HIGH		03
K301	VA855400	Terminal				01
K302	VA855400	Terminal				01
K303	VA855400	Terminal		J		01
K304	VA855400	Terminal		J		01
K401	VC719300	Terminal Plate	P-424			01
L401	VB971100	Coil	FL5R200QN 20uH			01
L402	VB971100	Coil	FL5R200QN 20uH			01
LD501	VR080200	LED	SLR-342VR3F RE	TRIM(Red)		01
LD502	VR080300	LED	SLR-342MG3F GR	TRIM(Green)		01
R301	HF756220	Carbon Resistor	2.2K 1/4 J			01
R302	HF757100	Carbon Resistor	10.0K 1/4 J			01
R303	HF757100	Carbon Resistor	10.0K 1/4 J			01
R304	HF755220	Carbon Resistor	220.0 1/4 J			01
R305	HF758100	Carbon Resistor	100.0K 1/4 J			01
R306	HF758120	Carbon Resistor	120.0K 1/4 J			01
R307	HF756220	Carbon Resistor	2.2K 1/4 J			01
R308	HF758100	Carbon Resistor	100.0K 1/4 J			01

*: New Parts

RANK:Japan only

REF. NO.	PART NO.	DESCRIPTION	REMARKS	QTY	RANK
R309	HF755220	Carbon Resistor	220.0 1/4 J		01
R310	HF758100	Carbon Resistor	100.0K 1/4 J		01
R311	HF756390	Carbon Resistor	3.9K 1/4 J		01
R312	HF758100	Carbon Resistor	100.0K 1/4 J		01
-315	HF758100	Carbon Resistor	100.0K 1/4 J		01
R316	HF757220	Carbon Resistor	22.0K 1/4 J		01
R317	HF757100	Carbon Resistor	10.0K 1/4 J		01
R318	HF758150	Carbon Resistor	150.0K 1/4 J		01
R319	HF756100	Carbon Resistor	1.0K 1/4 J		01
R320	HF758100	Carbon Resistor	100.0K 1/4 J		01
R321	HF755100	Carbon Resistor	100.0 1/4 J		01
R322	HF757680	Carbon Resistor	68.0K 1/4 J		01
R323	HF758100	Carbon Resistor	100.0K 1/4 J		01
R324	HF759220	Carbon Resistor	2.2M 1/4 J		01
R325	HF756270	Carbon Resistor	2.7K 1/4 J		01
R326	HF758680	Carbon Resistor	680.0K 1/4 J		01
R327	VC761800	Metal Oxide Film Resistor	1.5K 2W J		01
R328	HF756330	Carbon Resistor	3.3K 1/4 J		01
R329	VC750000	Metal Oxide Film Resistor	10.0K 1W J		01
R330	VC749400	Metal Oxide Film Resistor	5.6K 1W J		01
R331	HV755220	Flame Proof C. Resistor	220.0 1/4 J		01
R332	VC753800	Metal Oxide Film Resistor	1.0 2W J		01
R333	HF755470	Carbon Resistor	470.0 1/4 J		01
R334	HF755470	Carbon Resistor	470.0 1/4 J		01
R335	HF755680	Carbon Resistor	680.0 1/4 J		01
R336	HF755680	Carbon Resistor	680.0 1/4 J		01
R337	HV755150	Flame Proof C. Resistor	150.0 1/4 J		01
R338	HV754100	Flame Proof C. Resistor	10.0 1/4 J		01
R339	HV755150	Flame Proof C. Resistor	150.0 1/4 J		01
R340	VC755500	Metal Oxide Film Resistor	4.7 2W J		01
R341	VC761800	Metal Oxide Film Resistor	1.5K 2W J		01
R401	HF758100	Carbon Resistor	100.0K 1/4 J		01
R402	HF755270	Carbon Resistor	270.0 1/4 J		01
R403	HF757120	Carbon Resistor	12.0K 1/4 J		01
R404	HF757100	Carbon Resistor	10.0K 1/4 J		01
R405	HF757100	Carbon Resistor	10.0K 1/4 J		01
R406	HF757470	Carbon Resistor	47.0K 1/4 J		01
R407	HF757470	Carbon Resistor	47.0K 1/4 J		01
R408	HF758470	Carbon Resistor	470.0K 1/4 J		01
R409	HF757470	Carbon Resistor	47.0K 1/4 J		01
R410	HF757100	Carbon Resistor	10.0K 1/4 J		01
R411	HF757100	Carbon Resistor	10.0K 1/4 J		01
R412	HF756100	Carbon Resistor	1.0K 1/4 J		01
R413	HF756100	Carbon Resistor	1.0K 1/4 J		01
R414	HF757220	Carbon Resistor	22.0K 1/4 J		01
R415	HF757470	Carbon Resistor	47.0K 1/4 J		01
R416	HF757470	Carbon Resistor	47.0K 1/4 J		01
R417	HF757100	Carbon Resistor	10.0K 1/4 J		01
R418	HF757470	Carbon Resistor	47.0K 1/4 J		01
R419	HF758470	Carbon Resistor	470.0K 1/4 J		01
R420	HF757100	Carbon Resistor	10.0K 1/4 J		01
-423	HF757100	Carbon Resistor	10.0K 1/4 J		01
R424	HF756220	Carbon Resistor	2.2K 1/4 J		01
R425	HF758100	Carbon Resistor	100.0K 1/4 J		01
-427	HF758100	Carbon Resistor	100.0K 1/4 J		01
R428	HF755330	Carbon Resistor	330.0 1/4 J		01
R429	HF755330	Carbon Resistor	330.0 1/4 J		01
R430	HF758220	Carbon Resistor	220.0K 1/4 J		01
R431	HF755270	Carbon Resistor	270.0 1/4 J		01
R432	HF755270	Carbon Resistor	270.0 1/4 J		01
R433	HF757220	Carbon Resistor	22.0K 1/4 J		01
R434	HF758220	Carbon Resistor	220.0K 1/4 J		01
R435	HF757100	Carbon Resistor	10.0K 1/4 J		01
R501	HF756100	Carbon Resistor	1.0K 1/4 J		01
R502	HF758100	Carbon Resistor	100.0K 1/4 J		01
R503	HF756470	Carbon Resistor	4.7K 1/4 J		01
R504	HF757390	Carbon Resistor	39.0K 1/4 J		01
R505	HF756680	Carbon Resistor	6.8K 1/4 J		01
R506	HF756100	Carbon Resistor	1.0K 1/4 J		01
R507	HF757100	Carbon Resistor	10.0K 1/4 J10K 63M J		01

*: New Parts

RANK:Japan only

REF NO.	PART NO.	DESCRIPTION		REMARKS	QTY	RANK
R508	HF757150	Carbon Resistor	15.0K 1/4 J			01
R509	HF758100	Carbon Resistor	100.0K 1/4 J			01
R510	HF757330	Carbon Resistor	33.0K 1/4 J			01
R511	HF758100	Carbon Resistor	100.0K 1/4 J			01
R512	HF758100	Carbon Resistor	100.0K 1/4 J			01
R513	HF756330	Carbon Resistor	3.3K 1/4 J			01
R514	HF757330	Carbon Resistor	33.0K 1/4 J			01
R515	HF756150	Carbon Resistor	1.5K 1/4 J			01
R516	HF757330	Carbon Resistor	33.0K 1/4 J			01
R601	HF756470	Carbon Resistor	4.7K 1/4 J			01
R602	HF754100	Carbon Resistor	10.0 1/4 J			01
R603	HF756470	Carbon Resistor	4.7K 1/4 J			01
R604	HF754100	Carbon Resistor	10.0 1/4 J			01
R605	HF756470	Carbon Resistor	4.7K 1/4 J			01
R606	HF754100	Carbon Resistor	10.0 1/4 J			01
R607	HF756470	Carbon Resistor	4.7K 1/4 J			01
R608	HF754100	Carbon Resistor	10.0 1/4 J			01
R609	HF756470	Carbon Resistor	4.7K 1/4 J			01
R610	HF754100	Carbon Resistor	10.0 1/4 J			01
R611	HF756470	Carbon Resistor	4.7K 1/4 J			01
R612	HF754100	Carbon Resistor	10.0 1/4 J			01
R613	HF756470	Carbon Resistor	4.7K 1/4 J			01
R614	HF754100	Carbon Resistor	10.0 1/4 J			01
R615	HF756470	Carbon Resistor	4.7K 1/4 J			01
R616	HF754100	Carbon Resistor	10.0 1/4 J			01
R701	HF757100	Carbon Resistor	10.0K 1/4 J			01
R702	HF759100	Carbon Resistor	1.0M 1/4 J			01
R703	HF757270	Carbon Resistor	27.0K 1/4 J			01
R704	HF756470	Carbon Resistor	4.7K 1/4 J			01
R705	HF757100	Carbon Resistor	10.0K 1/4 J			01
R706	HF757100	Carbon Resistor	10.0K 1/4 J			01
R707	HF759100	Carbon Resistor	1.0M 1/4 J			01
R708	HF756470	Carbon Resistor	4.7K 1/4 J			01
R709	HF756470	Carbon Resistor	4.7K 1/4 J			01
R710	HF757100	Carbon Resistor	10.0K 1/4 J			01
RA301	VJ787600	Metal Plate Resistor	MPC725 0.22+0.22			02
-303	VJ787600	Metal Plate Resistor	MPC725 0.22+0.22			02
RY301	VL369700	Relay	DC RY5W-K			05
SPGH	— —	Connector Assembly	SP	(VZ87890)		
TR301	IC174070	Transistor	2SC1740S R,S			01
-303	IC174070	Transistor	2SC1740S R,S			01
TR304	IA097030	Transistor	2SA970 GR,BL			01
-306	IA097030	Transistor	2SA970 GR,BL			01
TR307	IC270500	Transistor	2SC2705 O,Y			01
TR308	IC270500	Transistor	2SC2705 O,Y			01
TR309	IA114500	Transistor	2SA1145 O,Y			01
TR310	VQ116600	Pair Transistor	A1837/C4793			04
TR311	VQ116600	Pair Transistor	A1837/C4793			04
TR312	VA107000	Transistor	2SC3423 O,Y			02
TR313	VY705000	Transistor	2SC5200 R,O			05
TR314	VY705000	Transistor	2SC5200 R,O			05
TR501	IC174070	Transistor	2SC1740S R,S			01
TR502	IA111520	Transistor	2SA1115 E,F			01
TR503	IC174070	Transistor	2SC1740S R,S			01
VR301	VA787900	Trimmer Potentiometer	B 4.7K 3P RHE			01
VR302	VB244500	Trimmer Potentiometer	B 470.0K 3P KVS			01
VR303	VA787500	Trimmer Potentiometer	B 470 3P RHEOA			01
* VR401	VZ658600	Rotary Variable Resistor	16MM 50K A	LINE OUT LEVEL		
* VR402	VZ658700	Rotary Variable Resistor	16MM 20K B	BLEND		
* VR501	V2212700	Rotary Variable Resistor	RK1631210 50KB	OUTPUT		
VR502	VU647700	Rotary Variable Resistor	RK1631210 50KC	TRIM		04
VR601	VU647600	Motor Drive Volume	RK16812MG 10KB	GAIN		07
VR602	VU647600	Motor Drive Volume	RK16812MG 10KB	MASTER		07
VR603	VA788500	Trimmer Potentiometer	B 220.0K 3P RHE			01
VR604	VU647600	Motor Drive Volume	RK16812MG 10KB	TREBLE		07
VR605	VA788500	Trimmer Potentiometer	B 220.0K 3P RHE			01
VR606	VU647600	Motor Drive Volume	RK16812MG 10KB	HIGH MID		07
VR607	VA788500	Trimmer Potentiometer	B 220.0K 3P RHE			01
VR608	VU647600	Motor Drive Volume	RK16812MG 10KB	LOW MID		07
VR609	VA788500	Trimmer Potentiometer	B 220.0K 3P RHE			01

*: New Parts

RANK:Japan only

REF NO.	PART NO.	DESCRIPTION		REMARKS	QTY	RANK
VR610	VU647600	Motor Drive Volume	RK16812MG 10KB	BASS		07
VR611	VA788500	Trimmer Potentiometer	B 220.0K 3P RHE			01
VR612	VU647600	Motor Drive Volume	RK16812MG 10KB	PRESENCE		07
VR613	VU647600	Motor Drive Volume	RK16812MG 10KB	REVERB		07
ZD301	VQ554700	Zener Diode	MTZJ9.1B 9.1V			01
ZD401	VQ313000	Zener Diode	MTZJ5.6B 5.6V			01
ZD402	VQ313000	Zener Diode	MTZJ5.6B 5.6V			01
ZD501	VP764200	Zener Diode	MTZJ12A 12.0V			01
ZD601	VQ451000	Zener Diode	MTZJ5.1B 5.1V			01
-608	VQ451000	Zener Diode	MTZJ5.1B 5.1V			01
* C201	VZ772300	Circuit Board	PN	(XU332B0)		
-203	UB245100	Monolithic Ceramic Cap.	F 0.100 25V Z			01
C204	UR847100	Electrolytic Cap.	10.00 25.0V			01
C205	UB245100	Monolithic Ceramic Cap.	F 0.100 25V Z			01
C206	UB245100	Monolithic Ceramic Cap.	F 0.100 25V Z			01
CN201	VC166500	Connector Base Post	PH-12P SE			01
CN202	VB389600	Connector Base Post	PH-11P SE			01
D201	VT332900	Diode (chip)	1SS355 TE-17			01
-214	VT332900	Diode (chip)	1SS355 TE-17			01
IC201	VH630700	LED Display	HDSP-5521			04
* IC201	VU647500	IC Socket	100-024-000			
IC202	XQ042A00	IC	SN74HC374ANSR	D-FF		03
-205	XQ042A00	IC	SN74HC374ANSR	D-FF		03
LD201	VG261500	LED	GL3PR8 RE	AMP,TAPE ECHO,...		01
-206	VG261500	LED	GL3PR8 RE	...,STORE,PLATE		01
LD201	VA277900	LED Spacer				01
-206	VA277900	LED Spacer				01
LD207	VN327300	LED	SLP-155B-81 RE	LEAD1 Program,...		01
-214	VN327300	LED	SLP-155B-81 RE	...,CLEAN2 VOL PEDAL		01
* LD207	V2176100	LED Spacer	BL			
* -214	V2176100	LED Spacer	BL			
R201	RD257100	Carbon Resistor (chip)	10.0K 0.1 J			01
R202	RD255820	Carbon Resistor (chip)	820.0 0.1 J			01
-205	RD255820	Carbon Resistor (chip)	820.0 0.1 J			01
R206	RD257100	Carbon Resistor (chip)	10.0K 0.1 J			01
R207	RD255820	Carbon Resistor (chip)	820.0 0.1 J			01
R208	RD255820	Carbon Resistor (chip)	820.0 0.1 J			01
R209	RD257100	Carbon Resistor (chip)	10.0K 0.1 J			01
R210	RD255820	Carbon Resistor (chip)	820.0 0.1 J			01
-212	RD255820	Carbon Resistor (chip)	820.0 0.1 J			01
R213	RD257100	Carbon Resistor (chip)	10.0K 0.1 J			01
R214	RD255820	Carbon Resistor (chip)	820.0 0.1 J			01
-220	RD255820	Carbon Resistor (chip)	820.0 0.1 J			01
R221	RD255560	Carbon Resistor (chip)	560.0 0.1 J			01
-234	RD255560	Carbon Resistor (chip)	560.0 0.1 J			01
SW201	KA907030	Push Switch	SKHHAL	LEAD1,LEAD2,...		01
-214	KA907030	Push Switch	SKHHAL	...,STORE,RECALL		01
* XU436A00	Speaker	VINTAGE30				
VR144600	Connector Assembly	L=500mm				06
VR145100	Connector Assembly	L=200mm				03
* VZ992800	Connector Assembly	SP FRAME		U		
△ *	—	Power Switch Assembly		(V225770)		
△ *	V2217000	Switch	JW	POWER switch		
△ *	MG000610	AC Cord	J 2P 15A 2.1m			06
△ *	VZ176600	AC Cord Assembly	UC 3P SJT VAR	J		
△ *	VZ971600	AC Cord Assembly	E 3P 6A VAR	U		
△ *	V2017600	AC Cord Assembly	BS 3P 10A 2.5m	E		
△ *	XU118A00	Power Transformer		B		
△ *	XU295A00	Power Transformer		J		
△ *	XU296A00	Power Transformer		U		
				E,B		
	LB201120	Phone Jack	JL2B X-G7639	SPEAKER		03

*: New Parts

RANK:Japan only