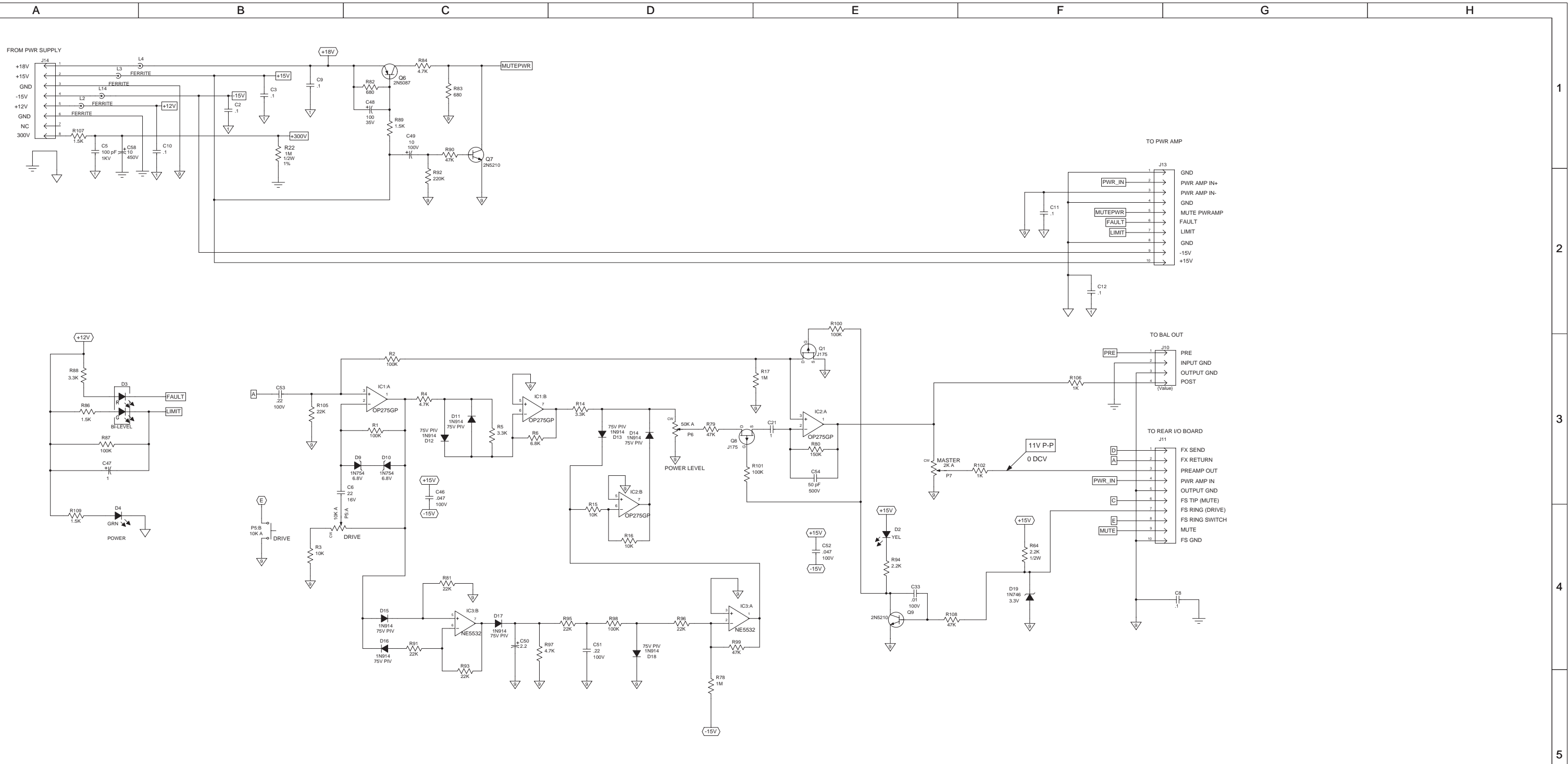


**CAUTION:**  
 THIS SCHEMATIC IS PROVIDED FOR USE BY QUALIFIED PERSONNEL.  
 TO AVOID RISK OF ELECTRIC SHOCK, REFER SERVICING TO QUALIFIED  
 SERVICE PERSONNEL. DO NOT PERFORM ANY SERVICING BEYOND  
 THAT EXPLAINED IN THE OPERATING INSTRUCTIONS.

- NOTES:**
- 1) CAUTION: SHOCK HAZARD!!  
 THIS UNIT CONTAINS HAZARDOUS VOLTAGE. DISCONNECT POWER  
 AND BE SURE POWER SUPPLY IS DISCHARGED BEFORE  
 TOUCHING INTERNAL PARTS.
  - 2) UNLESS NOTED, RESISTOR VALUES IN OHMS, 1/4W-5% TOL.  
 CAPACITOR VALUES IN MICROFARADS, 50V-10% TOL.
  - 3) VOLTAGES ARE MEASURED WITH 1 MEGOHM OSCILLOSCOPE  
 AND 10 MEGOHM DIGITAL VOLTMETER.

A	05/31/06	INITIAL ISSUE				
REV	Date	DESCRIPTION	Ecr(s)/Ecn(s)	Chgd By	Appvd by	Date
THE INFORMATION CONTAINED ON THIS DRAWING IS PROPRIETARY TO ST. LOUIS MUSIC, INC						
Signatures:			Date:		11880 Borman Drive, St. Louis, MO 63146	
Drawn: RLB			3-24-05		First Used On:	
Checked:						
Released:						
Plot Date: Thu Jun 08, 2006		Drawing Size: D		Drawing Title: BASS AMP		
Plot Time: 13:39:27		Drawing Type: Schematic		Drawing Number: 07S552		
Tolerance:		Class Code: NONE		Drawing Number: 07S552		
Sheet 1 of 2						




**CAUTION:**  
THIS SCHEMATIC IS PROVIDED FOR USE BY QUALIFIED PERSONNEL TO AVOID RISK OF ELECTRIC SHOCK, REFER SERVICING TO QUALIFIED SERVICE PERSONNEL. DO NOT PERFORM ANY SERVICING BEYOND THAT EXPLAINED IN THE OPERATING INSTRUCTIONS.

- NOTES:**
- 1) CAUTION: SHOCK HAZARD!! THIS UNIT CONTAINS HAZARDOUS VOLTAGE. DISCONNECT POWER AND BE SURE POWER SUPPLY IS DISCHARGED BEFORE TOUCHING INTERNAL PARTS.
  - 2) UNLESS NOTED, RESISTOR VALUES IN OHMS, 1/4W-5% TOL. CAPACITOR VALUES IN MICROFARADS, 50V-10% TOL.
  - 3) VOLTAGES ARE MEASURED WITH 1 MEGOHM OSCILLOSCOPE AND 10 MEGOHM DIGITAL VOLTMETER.

4. VOLTAGES IN RECTANGLES ARE PEAK TO PEAK SIGNAL VOLTAGES. OTHER VOLTAGES ARE D.C.
5. TEST CONDITIONS: GAIN & MASTER @ 10, ULTRA LOW @ CCW, TONES FLAT, AND BUTTONS OUT.
6. CIRCUIT GND | LED GND | CHASSIS GND

A B C D E F G H

REV	Date	DESCRIPTION	Ecr(s)/Ecrn(s)	Chgd By	Appvd by	Date
A	05/31/06	INITIAL ISSUE				
THE INFORMATION CONTAINED ON THIS DRAWING IS PROPRIETARY TO ST. LOUIS MUSIC, INC.						
Signatures:		Date:	 11880 Borman Drive, St. Louis, MO 63146			
Drawn: RLB		Date: 3-24-05				
Checked:		First Used On:				
Released:						
Plot Date: Thu Jun 08, 2006		Drawing Size: D		Drawing Title: BASS AMP		
Plot Time: 13:39:27		Drawing Type: Schematic				
Tolerance:		Class Code: NONE		Drawing Number: 07S552		
		Sheet 2 of 2				