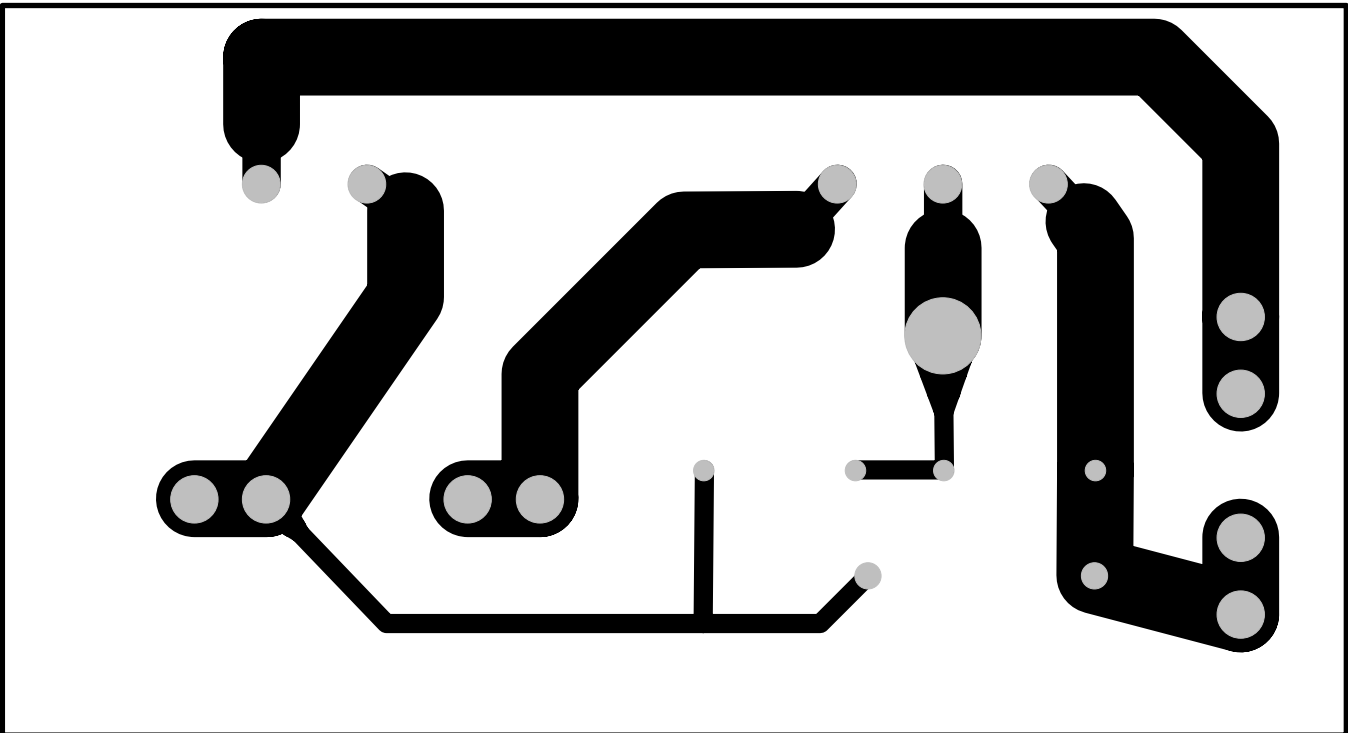
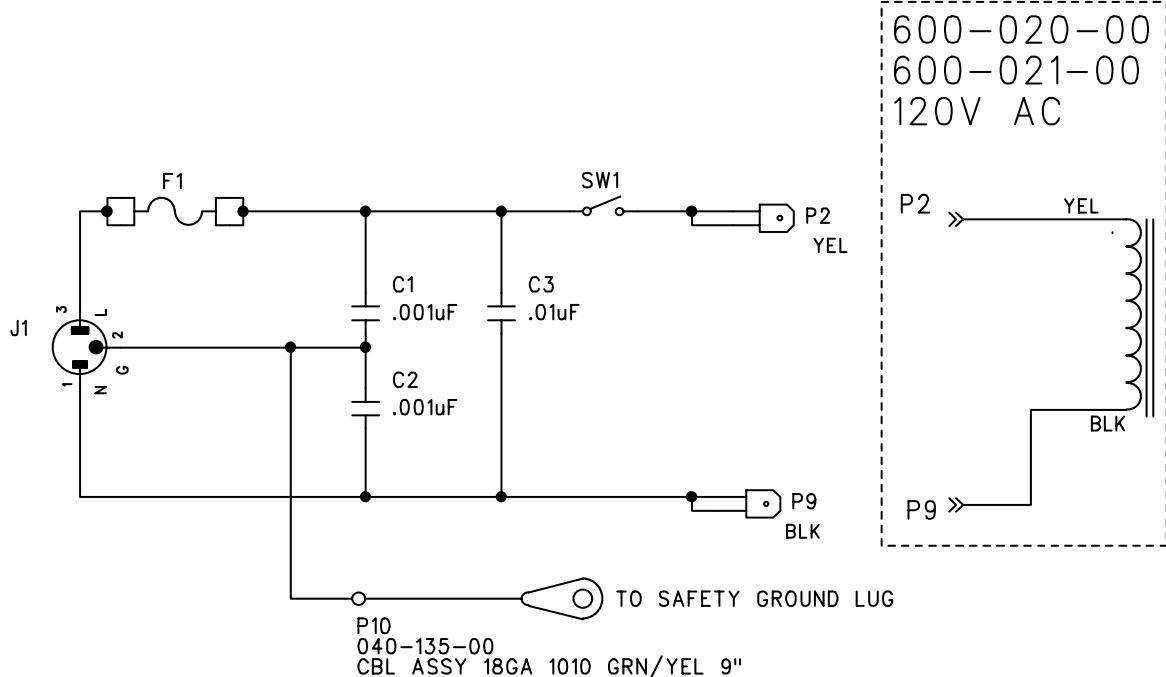


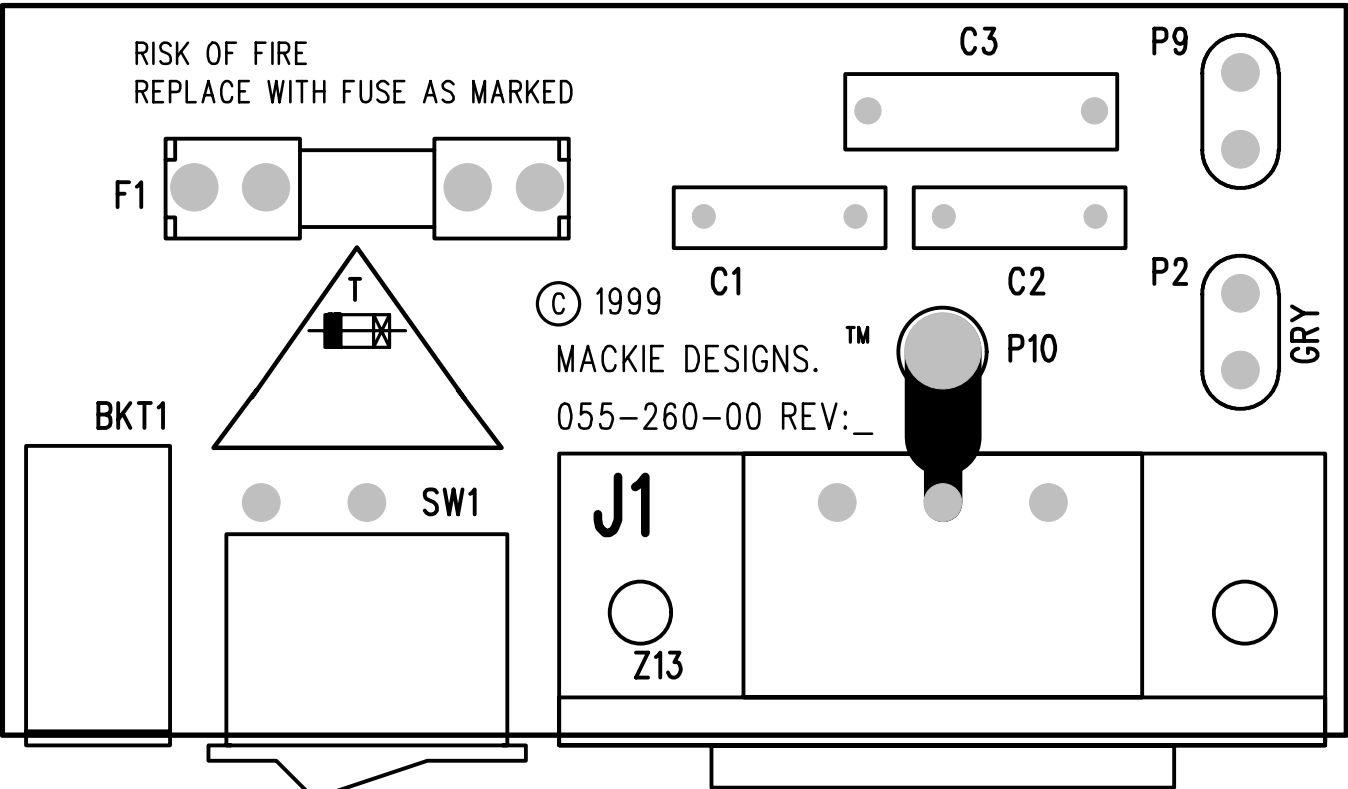
Bottom of board



DASH #	VERSION	FUSE USED
055-260-01	CFX 100VAC	0.5A SLO-BLO 250V 510-002-00
055-260-02	CFX 120VAC	1.0A SLO-BLO 250V 510-001-00
055-260-03	CFX 230VAC	1.25A SLO-BLO 250V 510-025-00



- 712-021-01 RIVET, CL END .125
- 712-020-00 BRKT ANG 6-32X.037THK STL
- 400-060-00 FUSE CLIP PCMT 5MM DIA
- 450-260-00 PCB, CFX AC POWER INPUT



Top of board