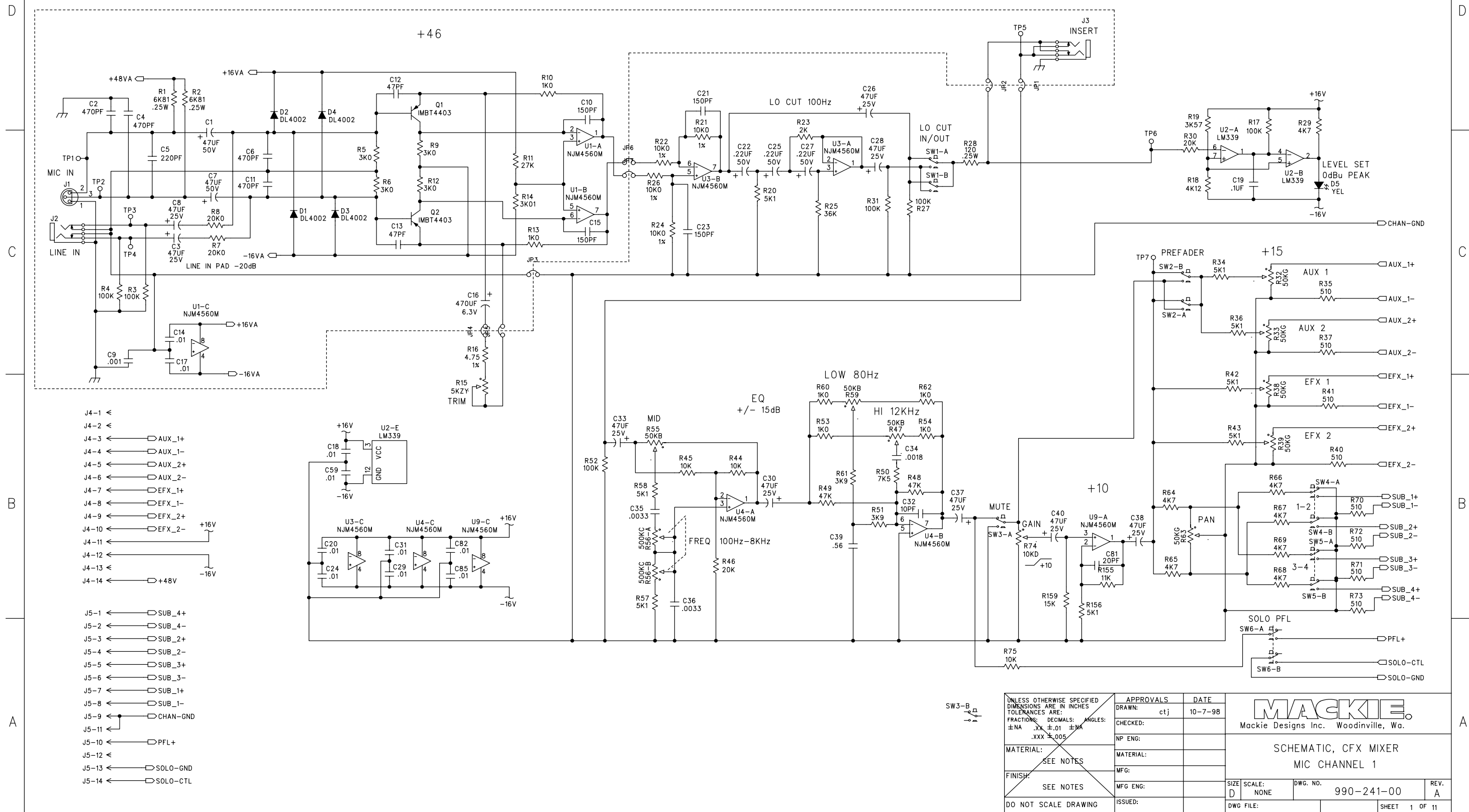


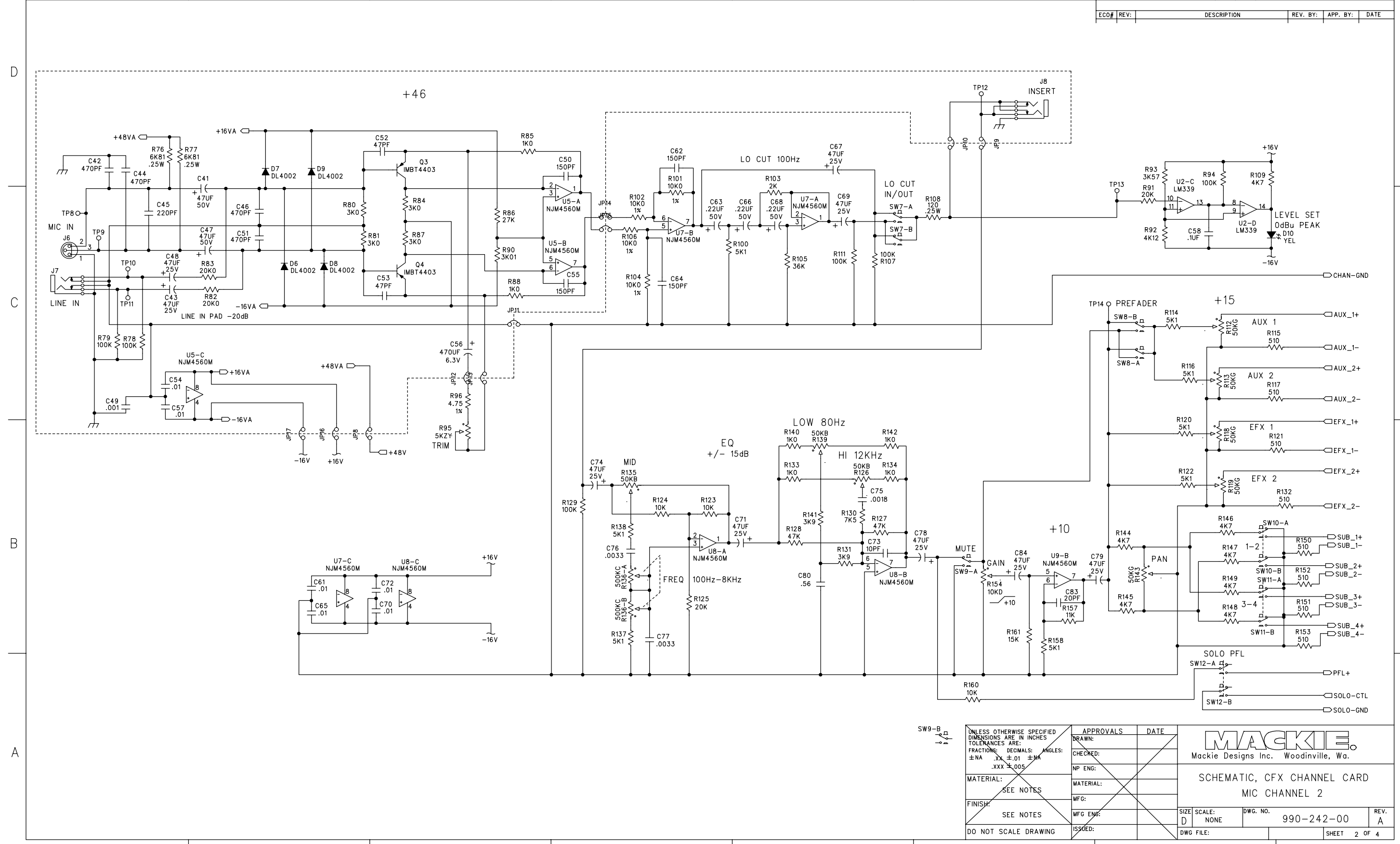
ECO#	REV.	DESCRIPTION	REV. BY:	APP. BY:	DATE



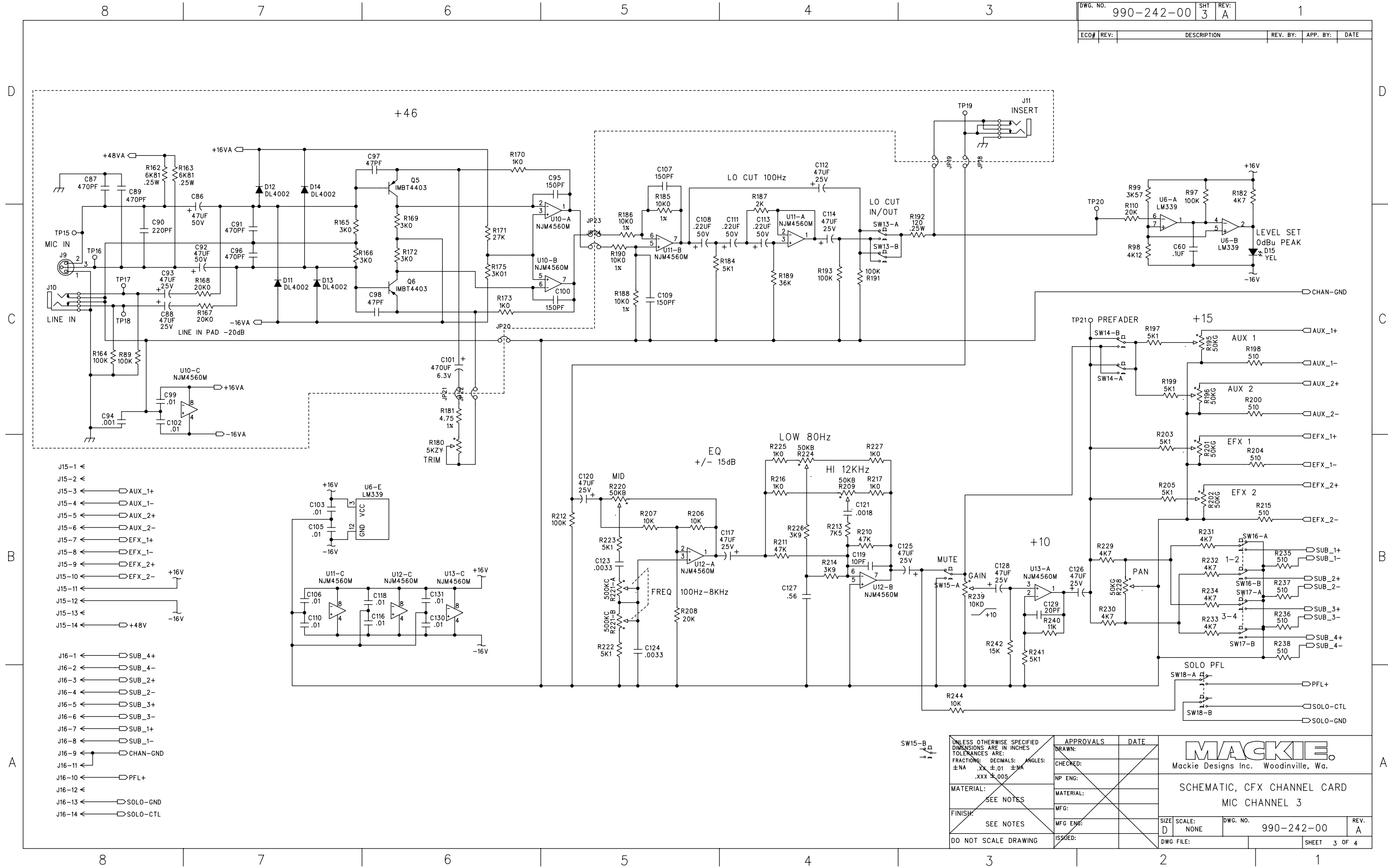
- J4-1 ←
- J4-2 ←
- J4-3 ← AUX\_1+
- J4-4 ← AUX\_1-
- J4-5 ← AUX\_2+
- J4-6 ← AUX\_2-
- J4-7 ← EFX\_1+
- J4-8 ← EFX\_1-
- J4-9 ← EFX\_2+
- J4-10 ← EFX\_2-
- J4-11 ←
- J4-12 ←
- J4-13 ← +16V
- J4-14 ← -16V
- J5-1 ← SUB\_4+
- J5-2 ← SUB\_4-
- J5-3 ← SUB\_2+
- J5-4 ← SUB\_2-
- J5-5 ← SUB\_3+
- J5-6 ← SUB\_3-
- J5-7 ← SUB\_1+
- J5-8 ← SUB\_1-
- J5-9 ← CHAN-GND
- J5-10 ← PFL+
- J5-11 ←
- J5-12 ←
- J5-13 ← SOLO-GND
- J5-14 ← SOLO-CTL

APPROVALS	DATE
ctj	10-7-98
CHECKED:	
NP ENG:	
MATERIAL:	
MFG:	
MFG ENG:	
ISSUED:	

<b>MACKIE</b>	
Mackie Designs Inc. Woodinville, Wa.	
SCHEMATIC, CFX MIXER MIC CHANNEL 1	
SIZE SCALE:	D NONE
DWG. NO.	990-241-00
REV.	A
DWG FILE:	
SHEET	1 OF 11



UNLESS OTHERWISE SPECIFIED DIMENSIONS ARE IN INCHES. TOLERANCES ARE: FRACTIONS: DECIMALS: ANGLES: ±.NA .XX ±.01 ±NA .XXX ±.005		APPROVALS	DATE
MATERIAL: SEE NOTES		CHECKED:	
FINISH: SEE NOTES		NP ENG:	
DO NOT SCALE DRAWING		MATERIAL:	
		MFG:	
		MFG ENG:	
		ISSUED:	
MACKIE. Mackie Designs Inc. Woodinville, Wa.		SCHEMATIC, CFX CHANNEL CARD MIC CHANNEL 2	
		SIZE: D	SCALE: NONE
		DWG. NO. 990-242-00	REV. A
		SHEET 2 OF 4	



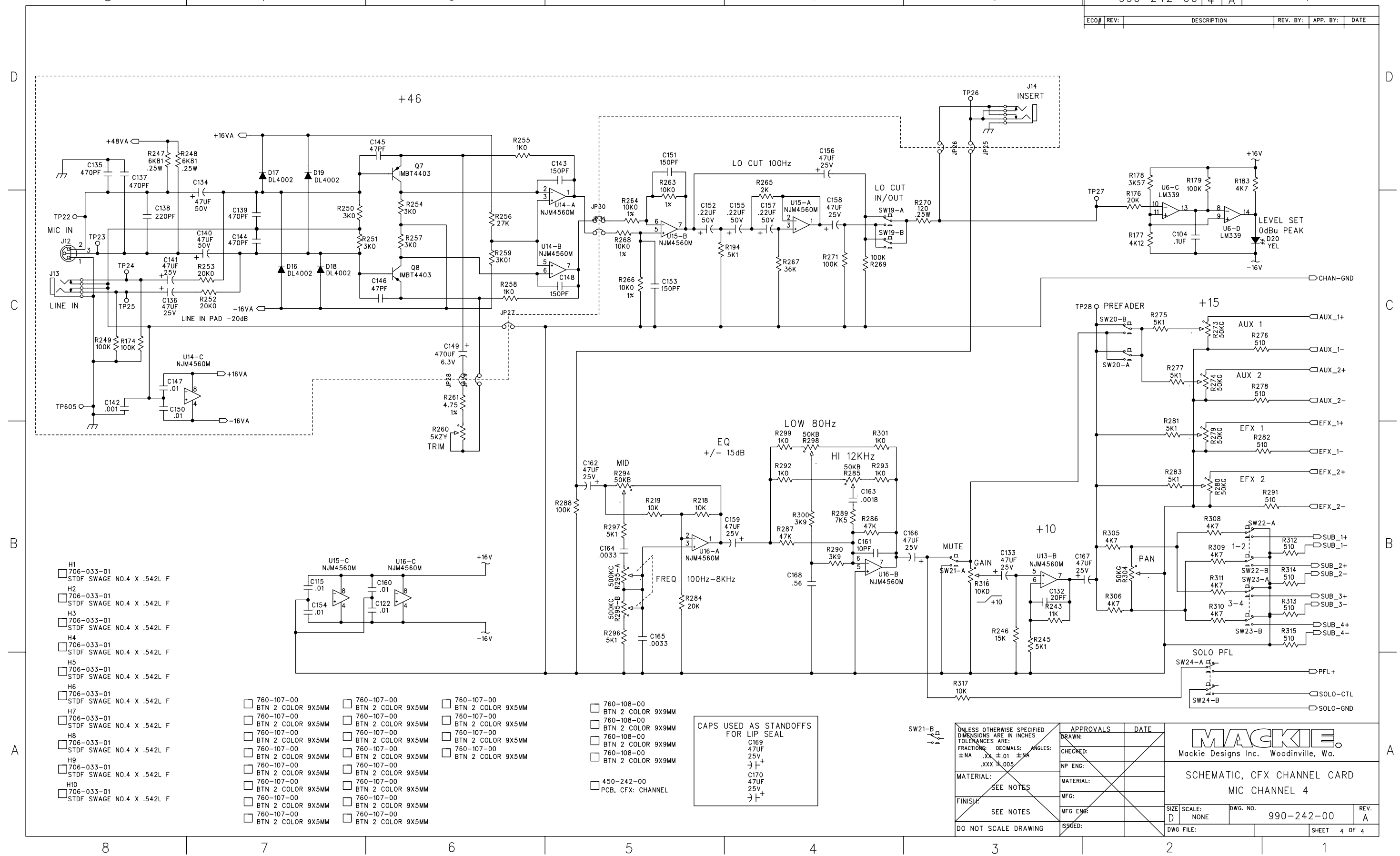
- J15-1 ←
  - J15-2 ←
  - J15-3 ← AUX\_1+
  - J15-4 ← AUX\_1-
  - J15-5 ← AUX\_2+
  - J15-6 ← AUX\_2-
  - J15-7 ← EFX\_1+
  - J15-8 ← EFX\_1-
  - J15-9 ← EFX\_2+
  - J15-10 ← EFX\_2-
  - J15-11 ←
  - J15-12 ←
  - J15-13 ←
  - J15-14 ← +48V
- 
- J16-1 ← SUB\_4+
  - J16-2 ← SUB\_4-
  - J16-3 ← SUB\_2+
  - J16-4 ← SUB\_2-
  - J16-5 ← SUB\_3+
  - J16-6 ← SUB\_3-
  - J16-7 ← SUB\_1+
  - J16-8 ← SUB\_1-
  - J16-9 ← CHAN-GND
  - J16-11 ←
  - J16-10 ← PFL+
  - J16-12 ←
  - J16-13 ← SOLO-GND
  - J16-14 ← SOLO-CTL

UNLESS OTHERWISE SPECIFIED DIMENSIONS ARE IN INCHES TOLERANCES ARE: FRACTIONS: DECIMALS: ANGLES: ±.NA .XX ±.01 ±.NA .XXX ±.005	APPROVALS	DATE
	DRAWN:	
	CHECKED:	
	NP ENG:	
MATERIAL:	MATERIAL:	
FINISH:	MFG:	
SEE NOTES	MFG ENG:	
DO NOT SCALE DRAWING	ISSUED:	

**MACKIE**  
Mackie Designs Inc. Woodinville, Wa.

SCHMATIC, CFX CHANNEL CARD  
MIC CHANNEL 3

SIZE	SCALE:	DWG. NO.	REV.
D	NONE	990-242-00	A
DWG FILE:		SHEET	3 OF 4



ECO#	REV.	DESCRIPTION	REV. BY:	APP. BY:	DATE
------	------	-------------	----------	----------	------

- H1 706-033-01 STDF SWAGE NO.4 X .542L F
- H2 706-033-01 STDF SWAGE NO.4 X .542L F
- H3 706-033-01 STDF SWAGE NO.4 X .542L F
- H4 706-033-01 STDF SWAGE NO.4 X .542L F
- H5 706-033-01 STDF SWAGE NO.4 X .542L F
- H6 706-033-01 STDF SWAGE NO.4 X .542L F
- H7 706-033-01 STDF SWAGE NO.4 X .542L F
- H8 706-033-01 STDF SWAGE NO.4 X .542L F
- H9 706-033-01 STDF SWAGE NO.4 X .542L F
- H10 706-033-01 STDF SWAGE NO.4 X .542L F

- |   |   |   |   |
|---|---|---|---|
| <input type="checkbox"/> 760-107-00 BTN 2 COLOR 9X5MM | <input type="checkbox"/> 760-107-00 BTN 2 COLOR 9X5MM | <input type="checkbox"/> 760-107-00 BTN 2 COLOR 9X5MM | <input type="checkbox"/> 760-108-00 BTN 2 COLOR 9X9MM |
| <input type="checkbox"/> 760-107-00 BTN 2 COLOR 9X5MM | <input type="checkbox"/> 760-107-00 BTN 2 COLOR 9X5MM | <input type="checkbox"/> 760-107-00 BTN 2 COLOR 9X5MM | <input type="checkbox"/> 760-108-00 BTN 2 COLOR 9X9MM |
| <input type="checkbox"/> 760-107-00 BTN 2 COLOR 9X5MM | <input type="checkbox"/> 760-107-00 BTN 2 COLOR 9X5MM | <input type="checkbox"/> 760-107-00 BTN 2 COLOR 9X5MM | <input type="checkbox"/> 760-108-00 BTN 2 COLOR 9X9MM |
| <input type="checkbox"/> 760-107-00 BTN 2 COLOR 9X5MM | <input type="checkbox"/> 760-107-00 BTN 2 COLOR 9X5MM | <input type="checkbox"/> 760-107-00 BTN 2 COLOR 9X5MM | <input type="checkbox"/> 760-108-00 BTN 2 COLOR 9X9MM |
| <input type="checkbox"/> 760-107-00 BTN 2 COLOR 9X5MM | <input type="checkbox"/> 760-107-00 BTN 2 COLOR 9X5MM | <input type="checkbox"/> 760-107-00 BTN 2 COLOR 9X5MM | <input type="checkbox"/> 760-108-00 BTN 2 COLOR 9X9MM |
| <input type="checkbox"/> 760-107-00 BTN 2 COLOR 9X5MM | <input type="checkbox"/> 760-107-00 BTN 2 COLOR 9X5MM | <input type="checkbox"/> 760-107-00 BTN 2 COLOR 9X5MM | <input type="checkbox"/> 760-108-00 BTN 2 COLOR 9X9MM |
| <input type="checkbox"/> 760-107-00 BTN 2 COLOR 9X5MM | <input type="checkbox"/> 760-107-00 BTN 2 COLOR 9X5MM | <input type="checkbox"/> 760-107-00 BTN 2 COLOR 9X5MM | <input type="checkbox"/> 760-108-00 BTN 2 COLOR 9X9MM |
| <input type="checkbox"/> 760-107-00 BTN 2 COLOR 9X5MM | <input type="checkbox"/> 760-107-00 BTN 2 COLOR 9X5MM | <input type="checkbox"/> 760-107-00 BTN 2 COLOR 9X5MM | <input type="checkbox"/> 760-108-00 BTN 2 COLOR 9X9MM |
| <input type="checkbox"/> 760-107-00 BTN 2 COLOR 9X5MM | <input type="checkbox"/> 760-107-00 BTN 2 COLOR 9X5MM | <input type="checkbox"/> 760-107-00 BTN 2 COLOR 9X5MM | <input type="checkbox"/> 760-108-00 BTN 2 COLOR 9X9MM |
| <input type="checkbox"/> 760-107-00 BTN 2 COLOR 9X5MM | <input type="checkbox"/> 760-107-00 BTN 2 COLOR 9X5MM | <input type="checkbox"/> 760-107-00 BTN 2 COLOR 9X5MM | <input type="checkbox"/> 760-108-00 BTN 2 COLOR 9X9MM |
- 450-242-00 PCB, CFX: CHANNEL

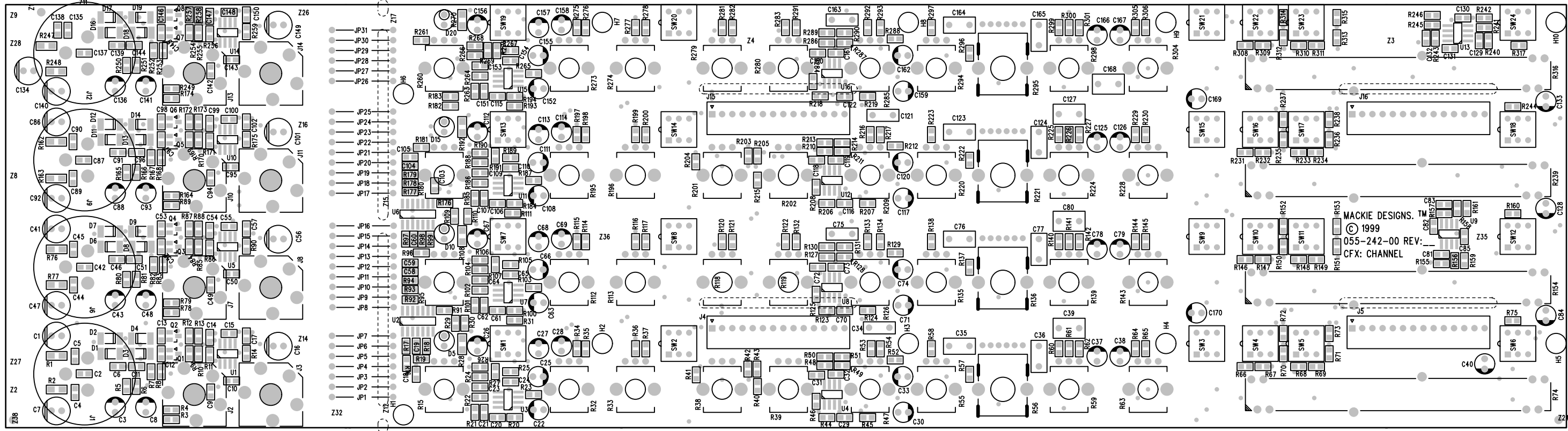
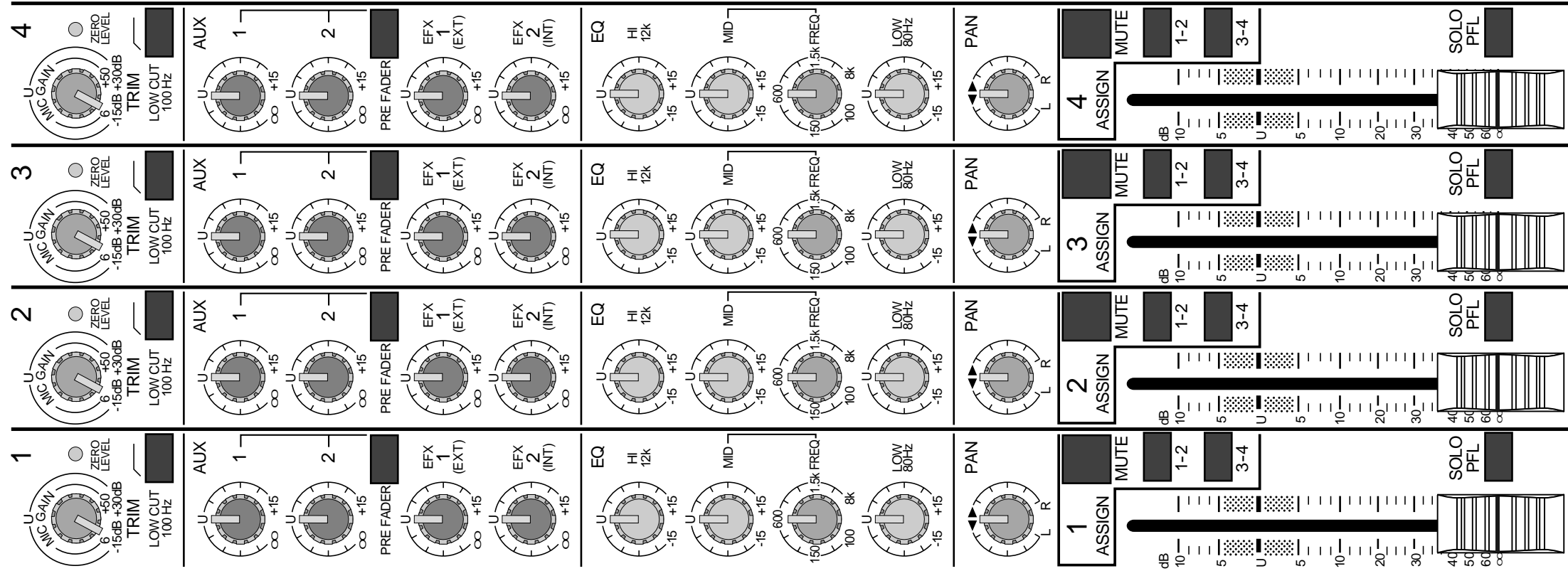
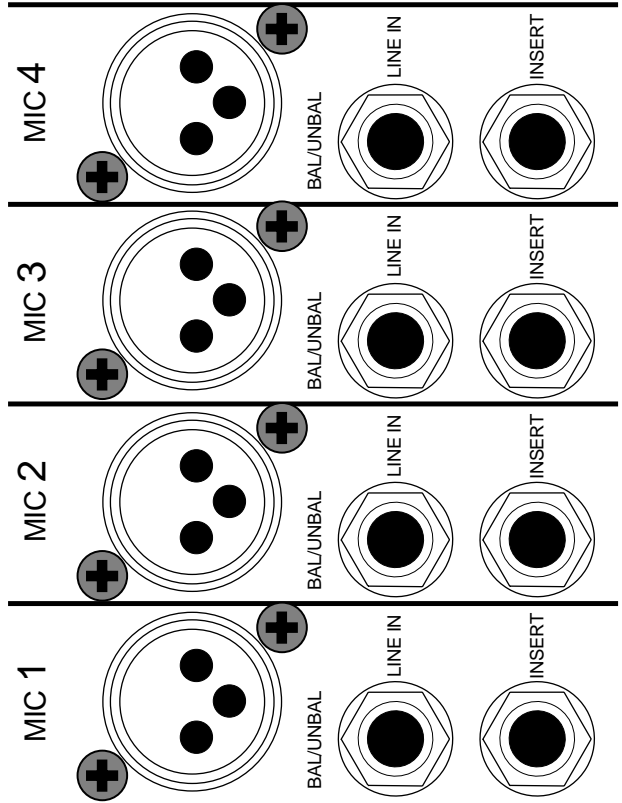
CAPS USED AS STANDOFFS FOR LIP SEAL  
 C169 47UF 25V  
 C170 47UF 25V

UNLESS OTHERWISE SPECIFIED DIMENSIONS ARE IN INCHES TOLERANCES ARE: FRACTIONS: DECIMALS: ANGLES: ±NA .XX ±.01 ±NA .XXX ±.005	DRAWN:	DATE:
	CHECKED:	
	NP ENG:	
	MATERIAL:	
SEE NOTES	MFG:	
SEE NOTES	MFG ENG:	
DO NOT SCALE DRAWING	ISSUED:	

**MACKIE.**  
Mackie Designs Inc. Woodinville, Wa.

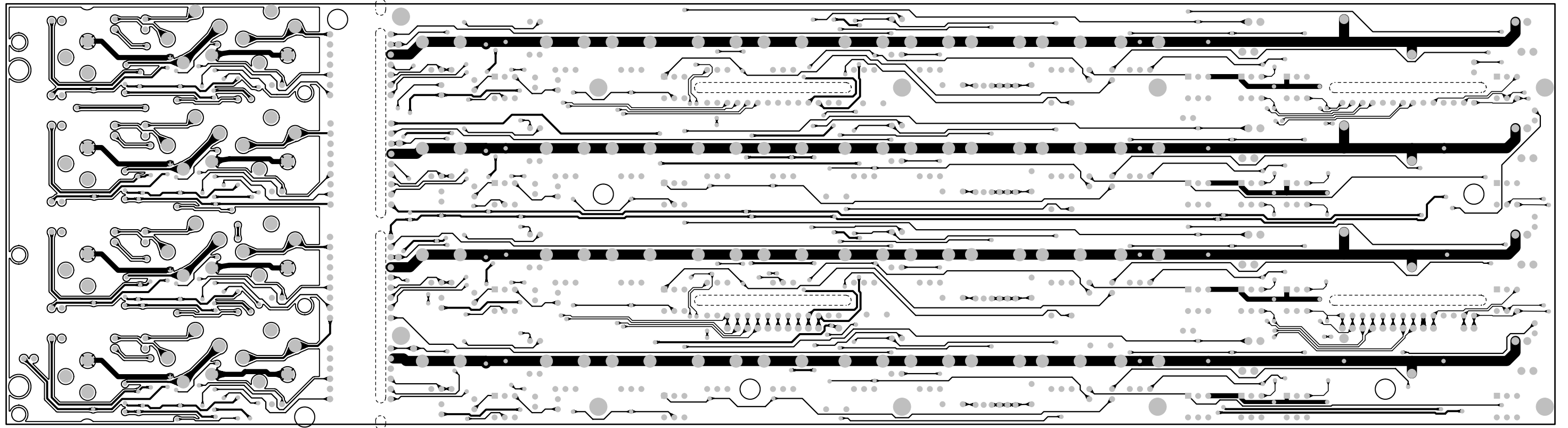
**SCHMATIC, CFX CHANNEL CARD  
MIC CHANNEL 4**

SIZE: D	SCALE: NONE	DWG. NO. 990-242-00	REV. A
DWG FILE:		SHEET 4 OF 4	



The CFX•12 has one of these boards, it adds four channels to the eight channels of the main board 241.  
 The CFX•16 has two of these boards.  
 The CFX•20 has three.

Bottom of Board



Top of Board

