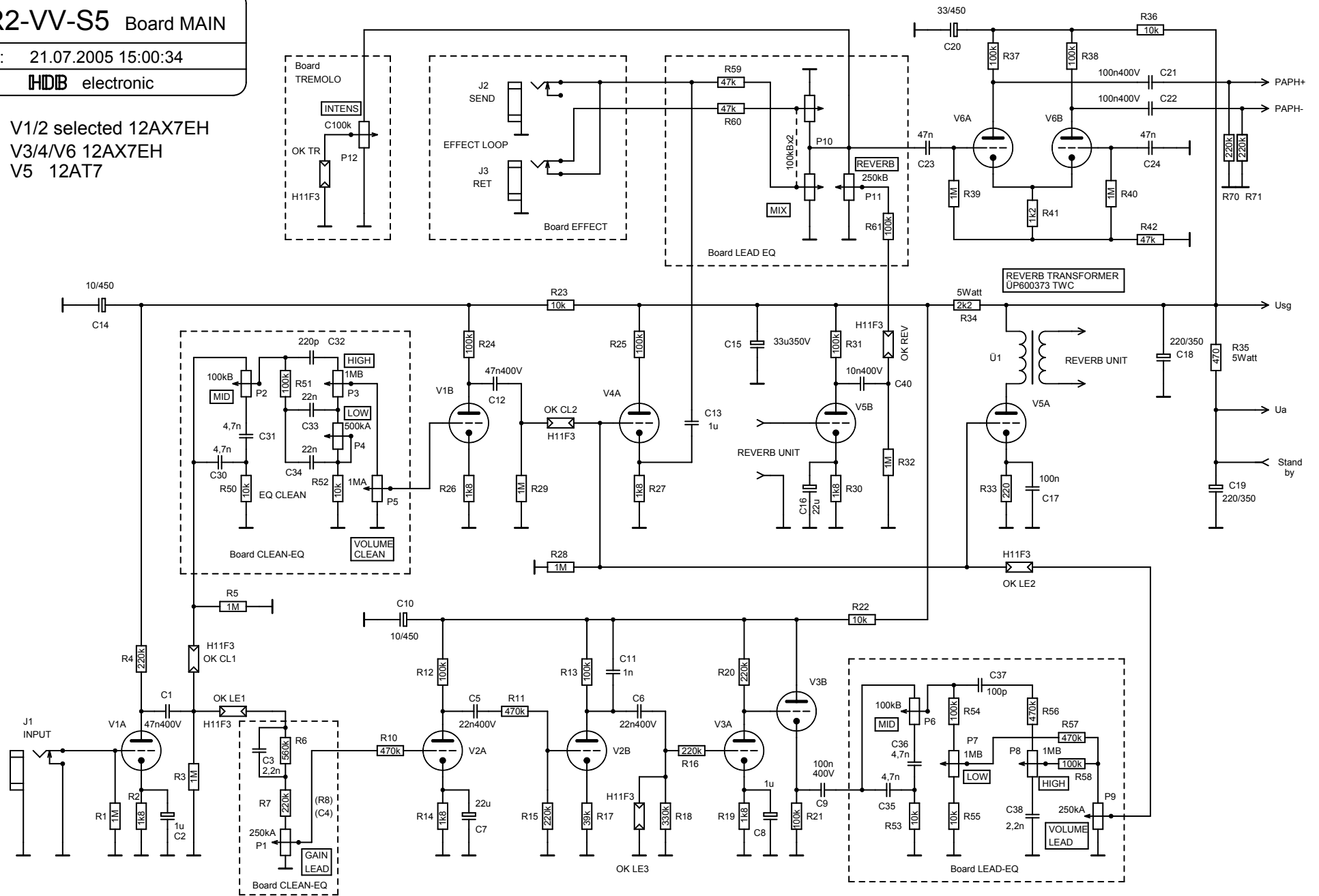


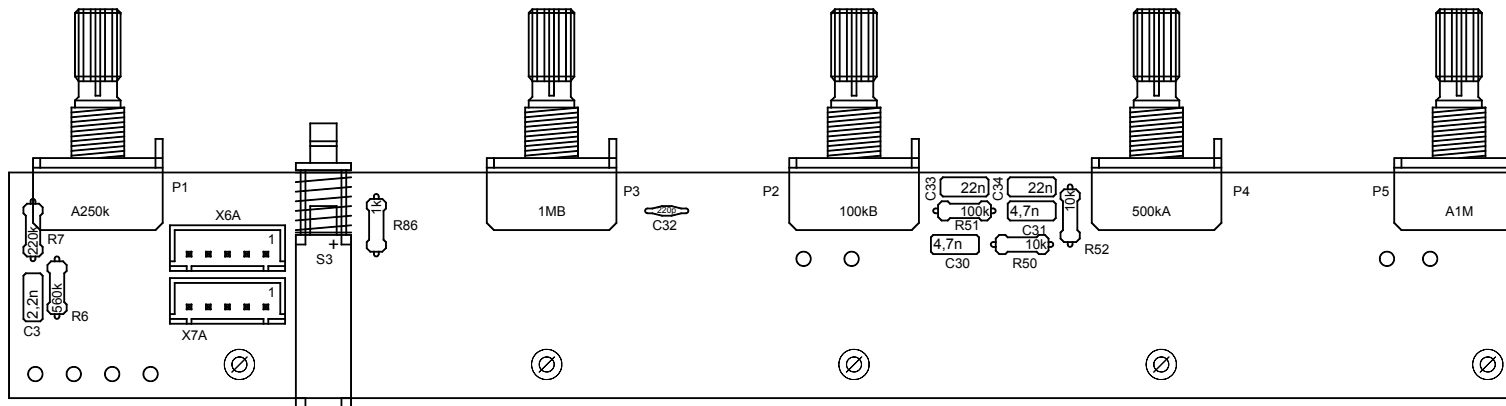
# RR2-VV-S5 Board MAIN

Date: 21.07.2005 15:00:34

HDB electronic

V1/2 selected 12AX7EH  
V3/4/V6 12AX7EH  
V5 12AT7





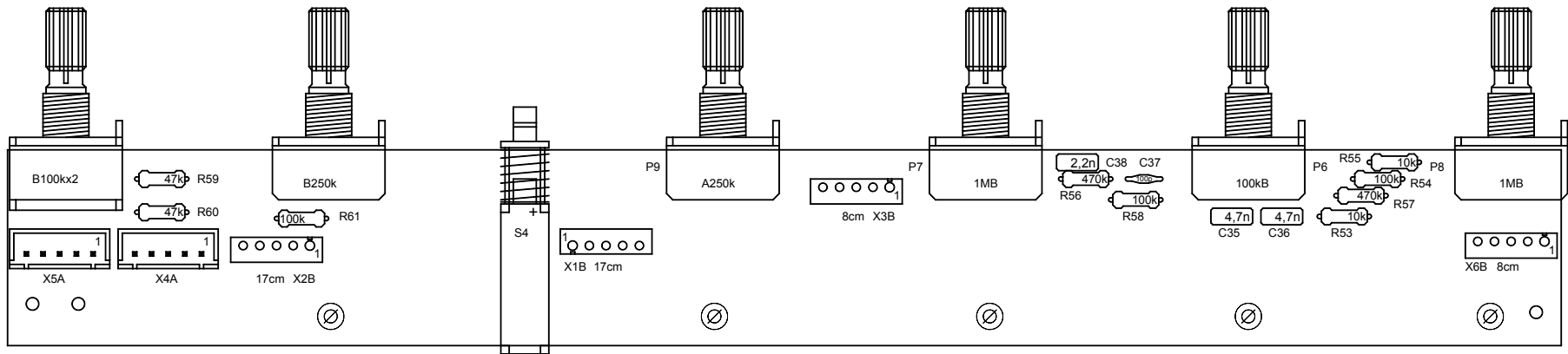
RR2-CLEAN-B5

---

Draw: 21.07.2005 12:35:42

---

HDB electronic

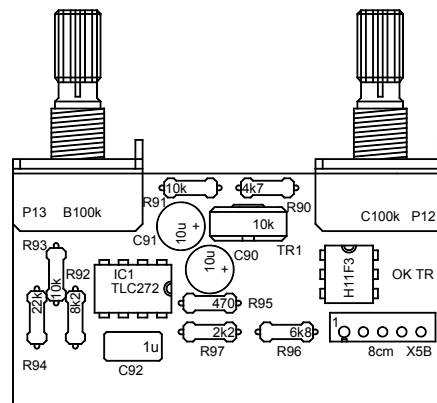


RR2-LEAD-B5

Draw: 21.07.2005 12:36:08

HDB electronic





**RR2-TREMOLO-B5**

Draw: 21.07.2005 10:33:12

HDB electronic

# RR2-PA-S5

PA/NT

Date: 27.07.2005 12:14:05

V7 GZ34  
V8-12 EL84

HDB electronic

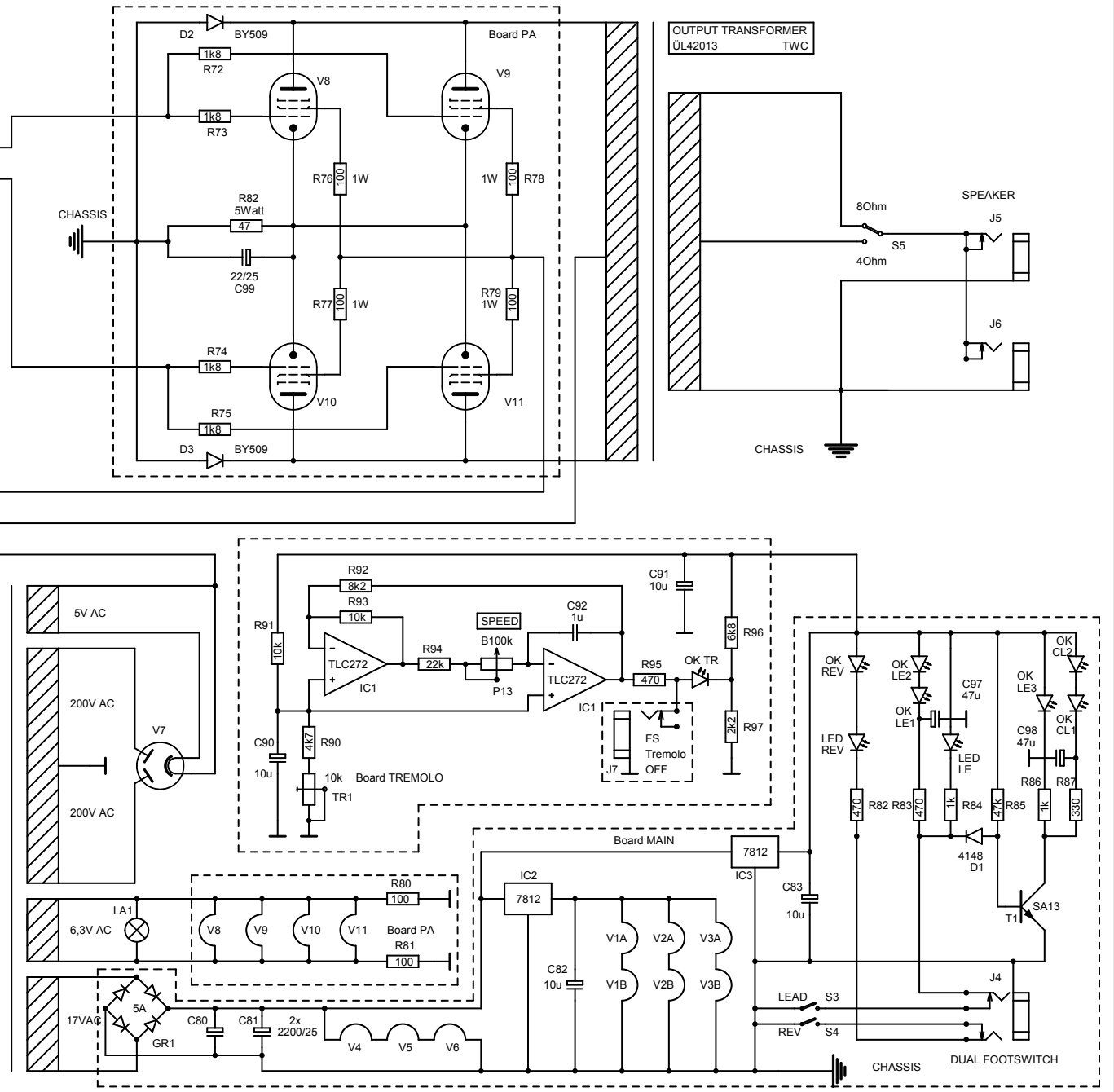
PAPH+

PAPH-

Usg

Ua

Stand by



OUTPUT TRANSFORMER  
UL42013  
TWC

CHASSIS

STAND BY  
Marquart 1803.0102

POWERSWITCH  
Marquart 1552.3102

SUPPLY FUSE  
4AT

230V AC

Supply-Jack with Fuse  
Schurter  
6200-4315

POWER TRANSFORMER  
NL 601 435  
TWC

CHASSIS

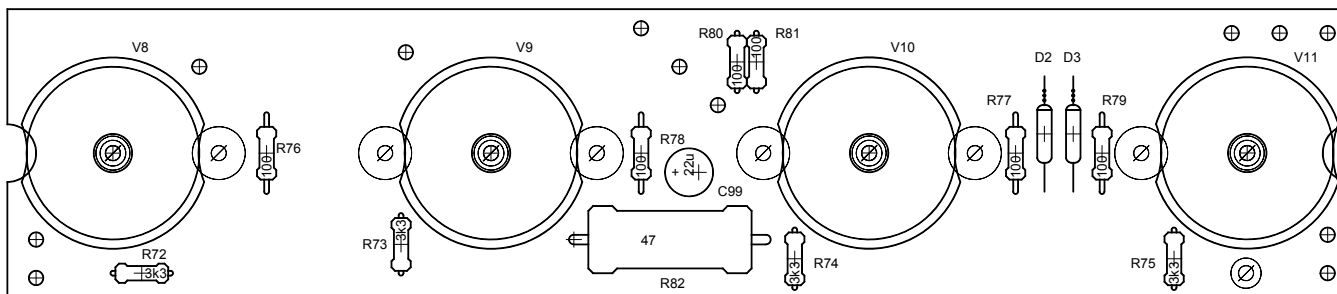
CHASSIS

DUAL FOOTSWITCH

RR2-PA-B5

Draw: 21.07.2005 09:53:38

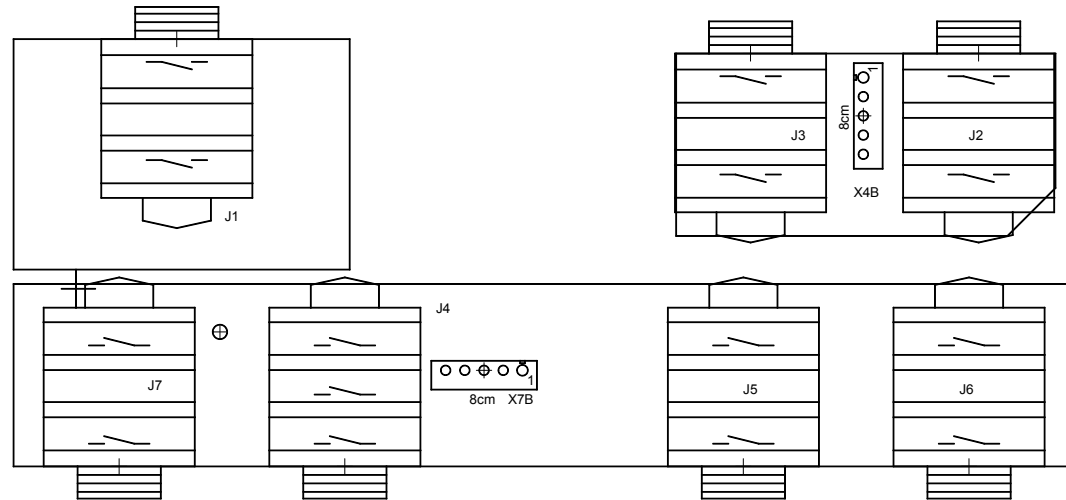
HDB electronic



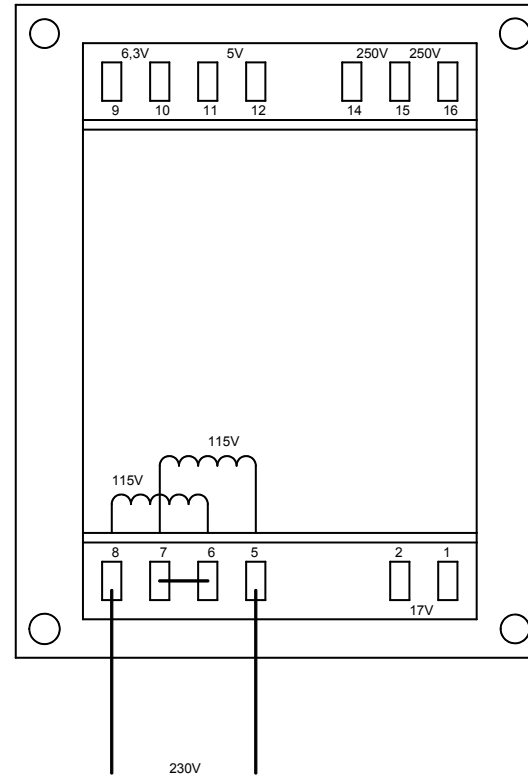
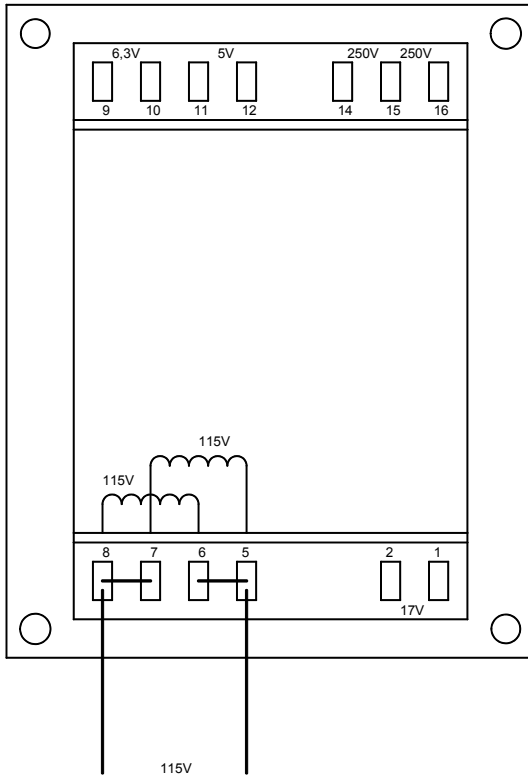
# RR2-BUCHSEN-B5

Draw: 21.07.2005 10:35:57

HDB electronic







## RR2-Trafo-S5

Date: 03.06.2005 05:59:56

**HDB** electronic