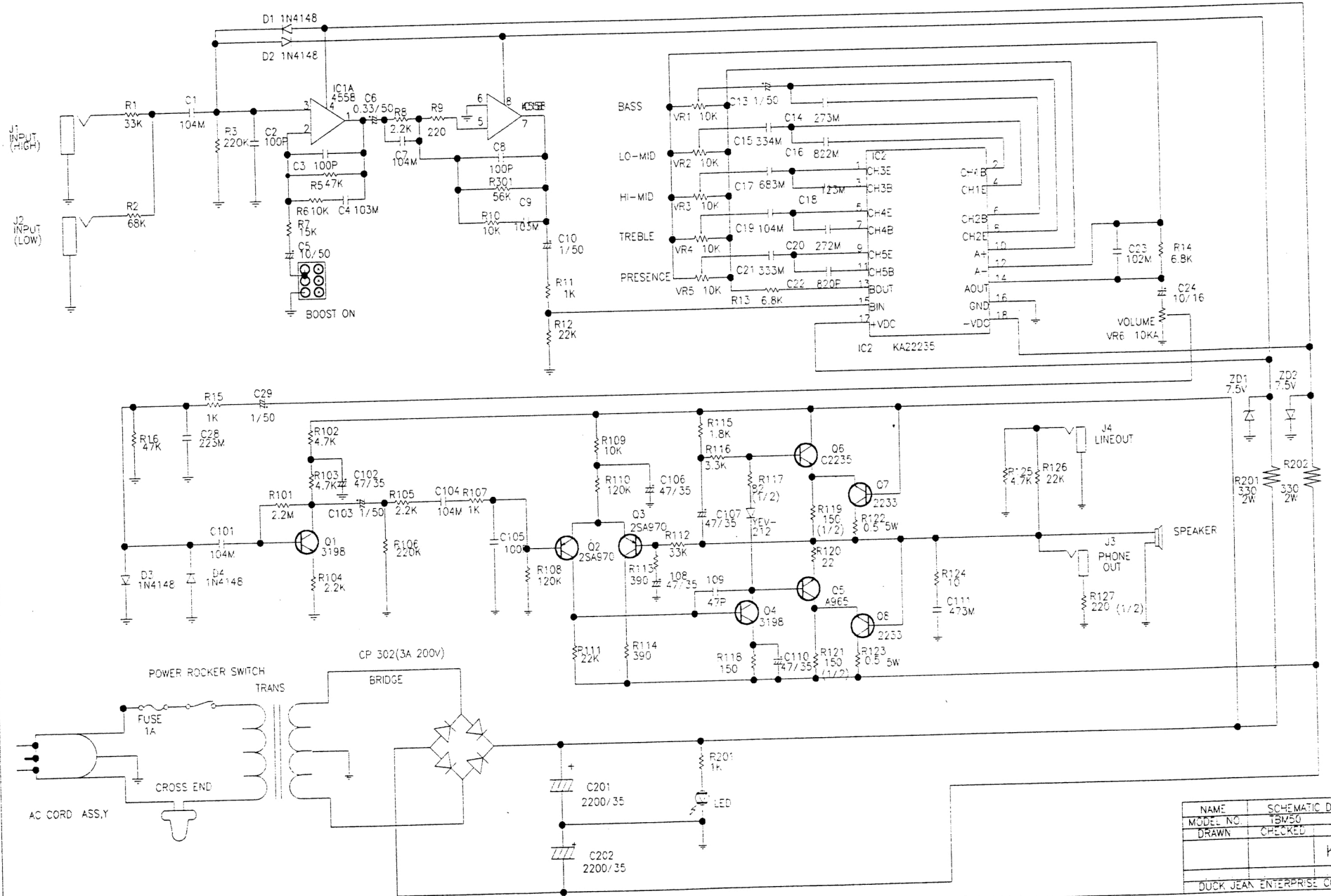


TBM50 & TBM25

SCHEMATIC DIAGRAM



NAME	SCHEMATIC DIAGRAM
MODEL NO.	TBM50
DRAWN	CHECKED
	APPROVED
	K.Y.C
DUCK JEAN ENTERPRISE CO. LTD	