

NOTES

n.f. = Non Fitted
 n.c. = Not connected
 Unless otherwise stated, all capacitors rated at 16V

All Voltage markings:
 Referenced to chassis.
 234V mains, quiescent.
 With bias set correctly.
 Unbracketed = full power setting.
 Bracketed = low power setting.
 Except a few where shown.

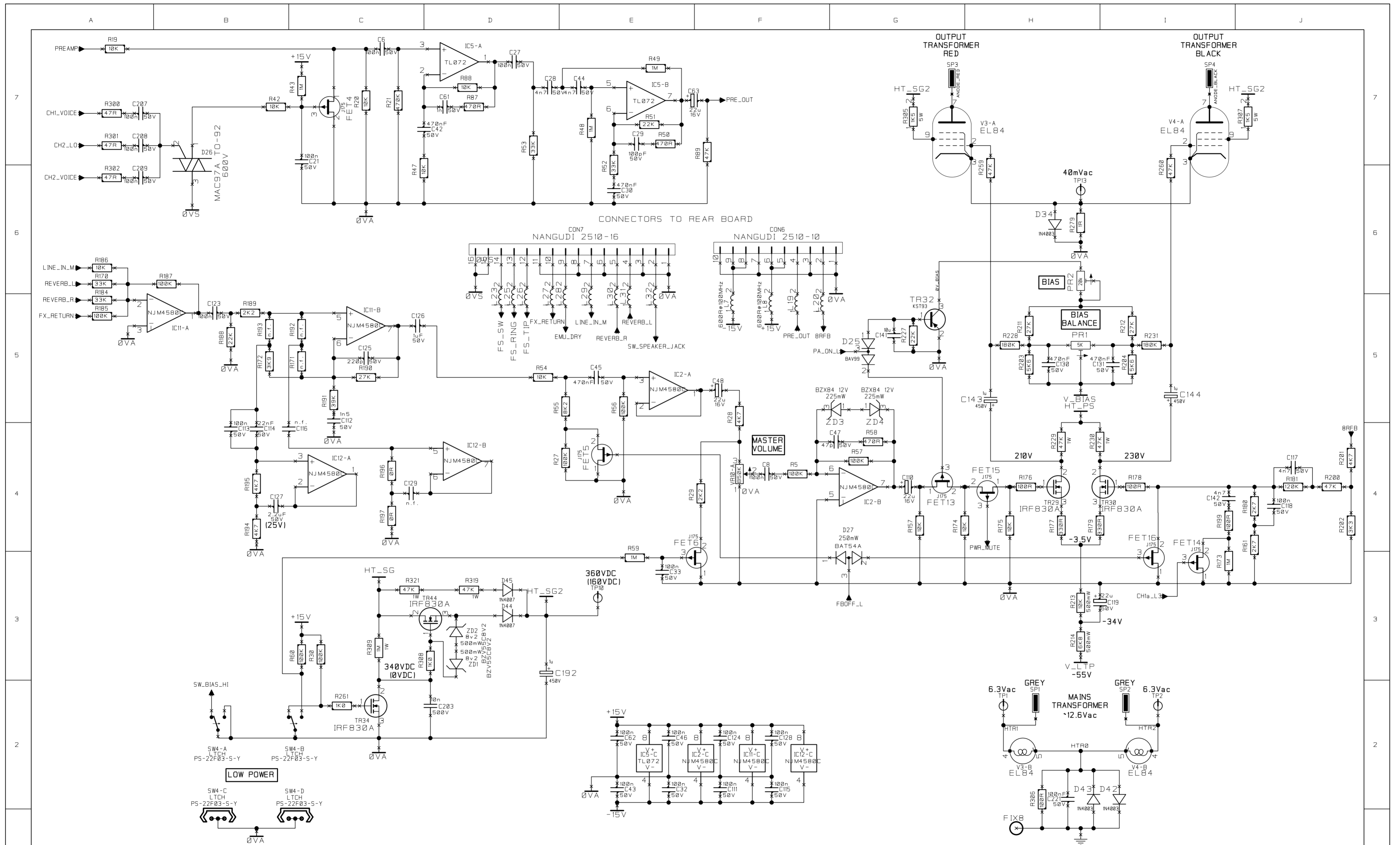
Ref: Generic

Blackstar
 AMPLIFICATION

COPYRIGHT EXISTS ON THIS DOCUMENT. IT MUST NOT BE USED FOR ANY PURPOSE OTHER THAN THAT FOR WHICH IT WAS SUPPLIED AND MUST NOT BE COPIED IN WHOLE OR PART WITHOUT WRITTEN PERMISSION OF BLACKSTAR AMPLIFICATION

DWG No.	1192205	ISS:	3	SHT. 1 OF 4	TITLE	HT-20R Mk II
DRAWN BY	P.J. Stevens	DATE	01/11/2018		PREAMP	
CHECKED BY	R. McGill	DATE	01/11/2018		MODEL	
APPROVED BY	L. Veignal	DATE	01/11/2018		HT-20R Mk II	

ISSUE	RFC No.	DATE	INITIAL



NOTES

n.f. = Non Fitted
n.c. = Not connected

Unless otherwise stated, all capacitors rated at 16V

Ref: **Generic**

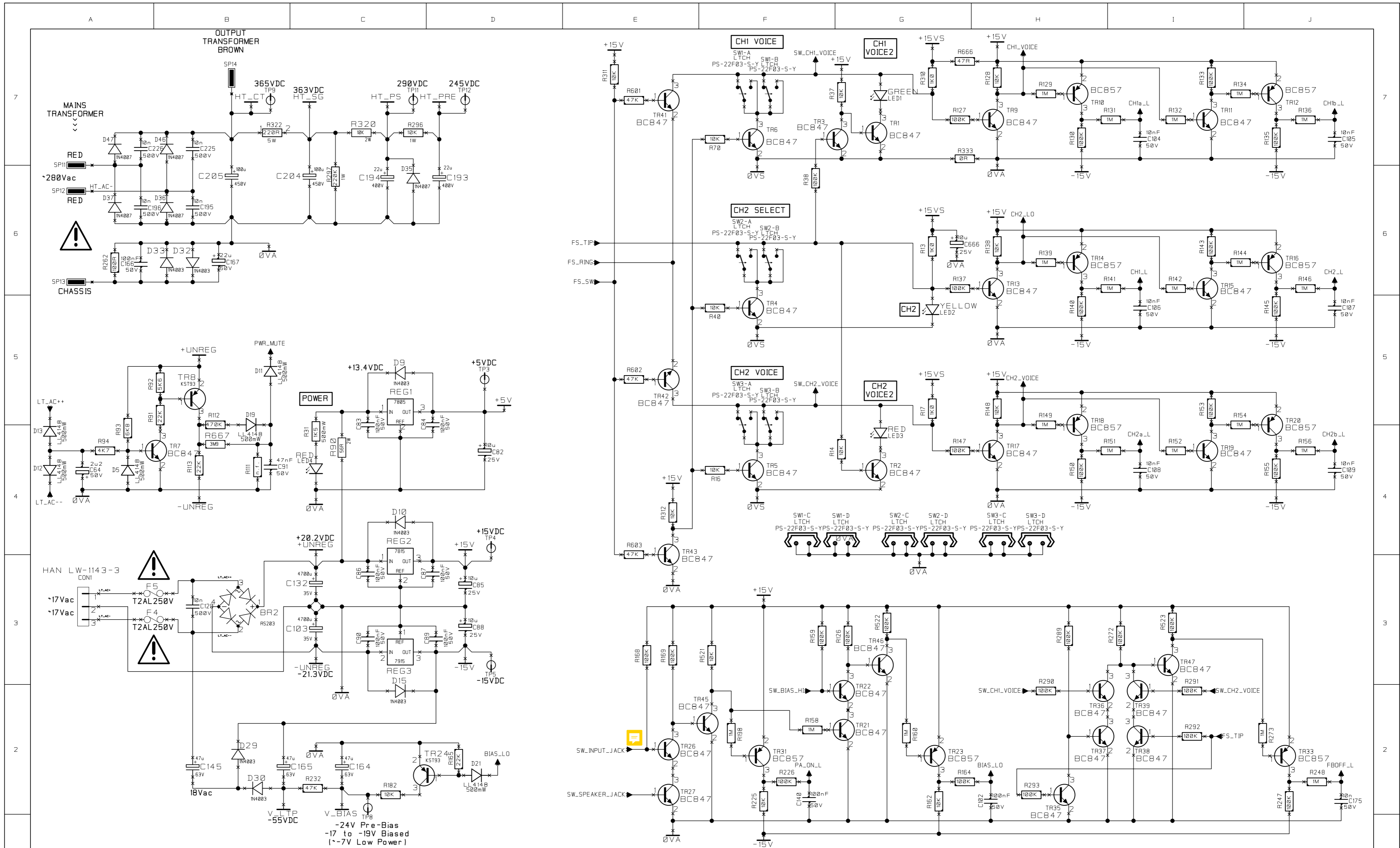
All Voltage markings:
Referenced to chassis.
234V mains, quiescent.
With bias set correctly.
Unbracketed = full power setting.
Bracketed = low power setting.
Except a few where shown.

Blackstar[®]
AMPLIFICATION

COPYRIGHT EXISTS ON THIS DOCUMENT. IT MUST NOT BE USED FOR ANY PURPOSE OTHER THAN THAT FOR WHICH IT WAS SUPPLIED AND MUST NOT BE COPIED IN WHOLE OR PART WITHOUT WRITTEN PERMISSION OF BLACKSTAR AMPLIFICATION

DWG No.	1192205	ISS:	3	SHT. 3 OF 4	TITLE	HT-20R Mk II
DRAWN BY	P.J.Stevens	DATE	01/11/2018		POWER AMP	
CHECKED BY	R.McGill	DATE	01/11/2018		MODEL	
APPROVED BY	L.Veignal	DATE	01/11/2018		HT-20R Mk II	

ISSUE	RFC No.	DATE	INITIAL



NOTES

n.f. = Non Fitted
n.c. = Not connected

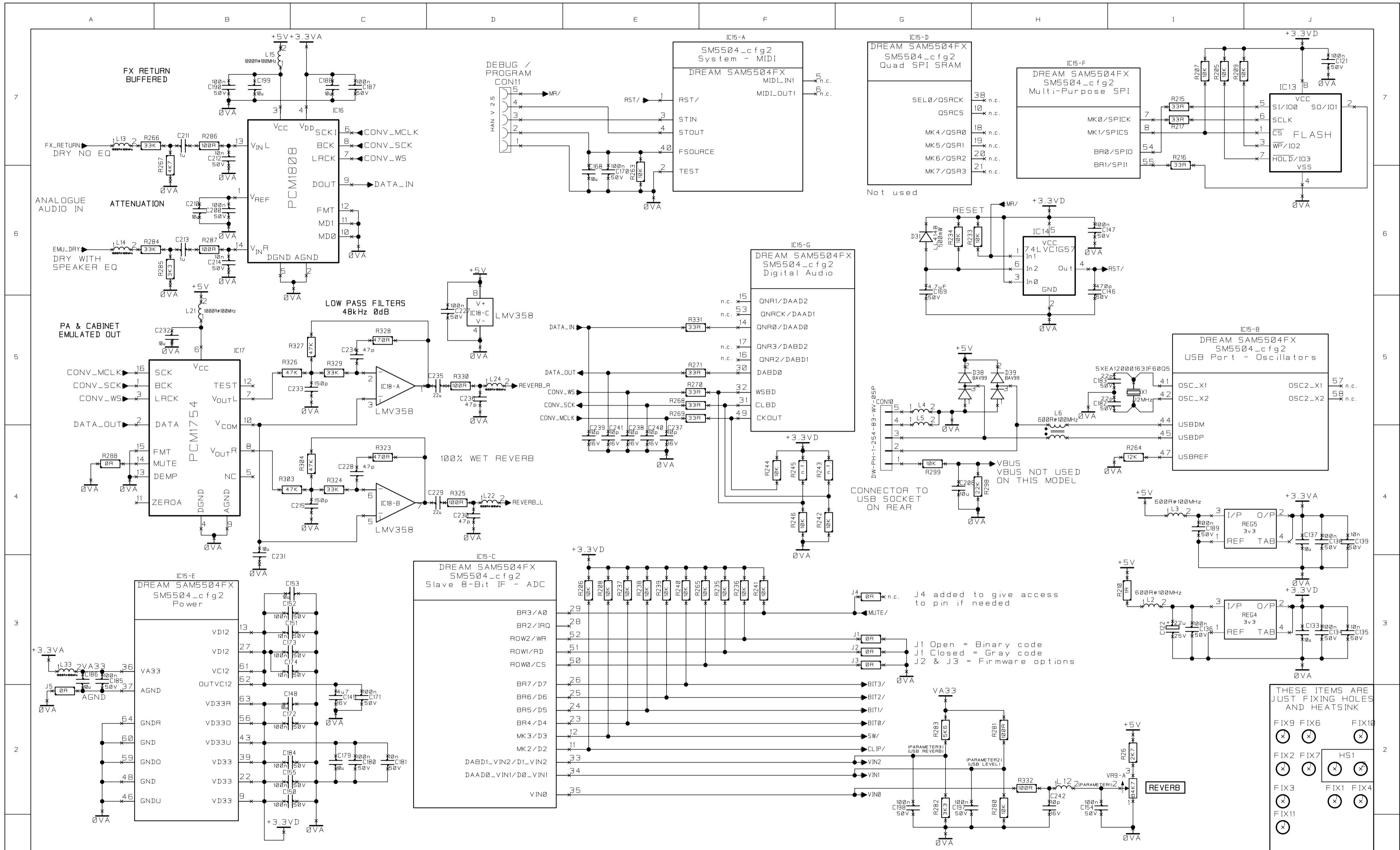
Unless otherwise stated, all capacitors rated at 16V

Ref: Generic

All Voltage markings:
Referenced to chassis.
234V mains, quiescent.
With bias set correctly.
Unbracketed = full power setting.
Bracketed = low power setting.
Except a few where shown.

<p>Blackstar[®] AMPLIFICATION</p> <p>COPYRIGHT EXISTS ON THIS DOCUMENT. IT MUST NOT BE USED FOR ANY PURPOSE OTHER THAN THAT FOR WHICH IT WAS SUPPLIED AND MUST NOT BE COPIED IN WHOLE OR PART WITHOUT WRITTEN PERMISSION OF BLACKSTAR AMPLIFICATION</p>				DWG No.	1192205	ISS:	3	SHT. 4 OF 4	TITLE	HT-20R Mk II
				DRAWN BY	P.J.Stevens	DATE	01/11/2018	SUPPLIES & SWITCHING		
				CHECKED BY	R.McGill	DATE	01/11/2018	MODEL		
				APPROVED BY	L.Veignal	DATE	01/11/2018	HT-20R Mk II		

ISSUE	RFC No.	DATE	INITIAL



NOTES

n.f. = Non Fitted
 n.c. = Not connected

Unless otherwise stated, all capacitors rated at 16V

Ref: Generic

All Voltage markings:
 Referenced to chassis.
 234V mains, quiescent.
 With bias set correctly.
 Unbracketed = full power setting.
 Bracketed = low power setting.
 Except a few where shown.

ISSUE	RFC No.	DATE	INITIAL

Blackstar
 AMPLIFICATION

COPYRIGHT EXISTS ON THIS DOCUMENT. IT MUST NOT BE USED FOR ANY PURPOSE OTHER THAN THAT FOR WHICH IT WAS SUPPLIED AND MUST NOT BE COPIED IN WHOLE OR PART WITHOUT WRITTEN PERMISSION OF BLACKSTAR AMPLIFICATION

DWG No. 1192205	ISS: 3	SHT. 2 OF 4	TITLE HT-20R Mk II
DRAWN BY P.J.Stevens	DATE 01/11/2018	DSP	
CHECKED BY R.McGill	DATE 01/11/2018	MODEL	
APPROVED BY L.Veignal	DATE 01/11/2018	HT-20R Mk II	