

POST OFFICE BOX 515  
**Ampex**  
 AREA CODE (201) 931-4700  
 LINDEN, NEW JERSEY

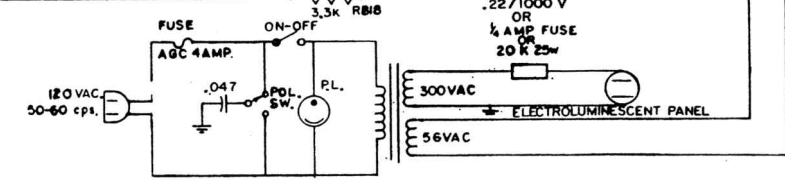
MODELS  
 BT-15, BT-15C, BT-15D & BT-18C  
 SOLID STATE AMPLIFIERS

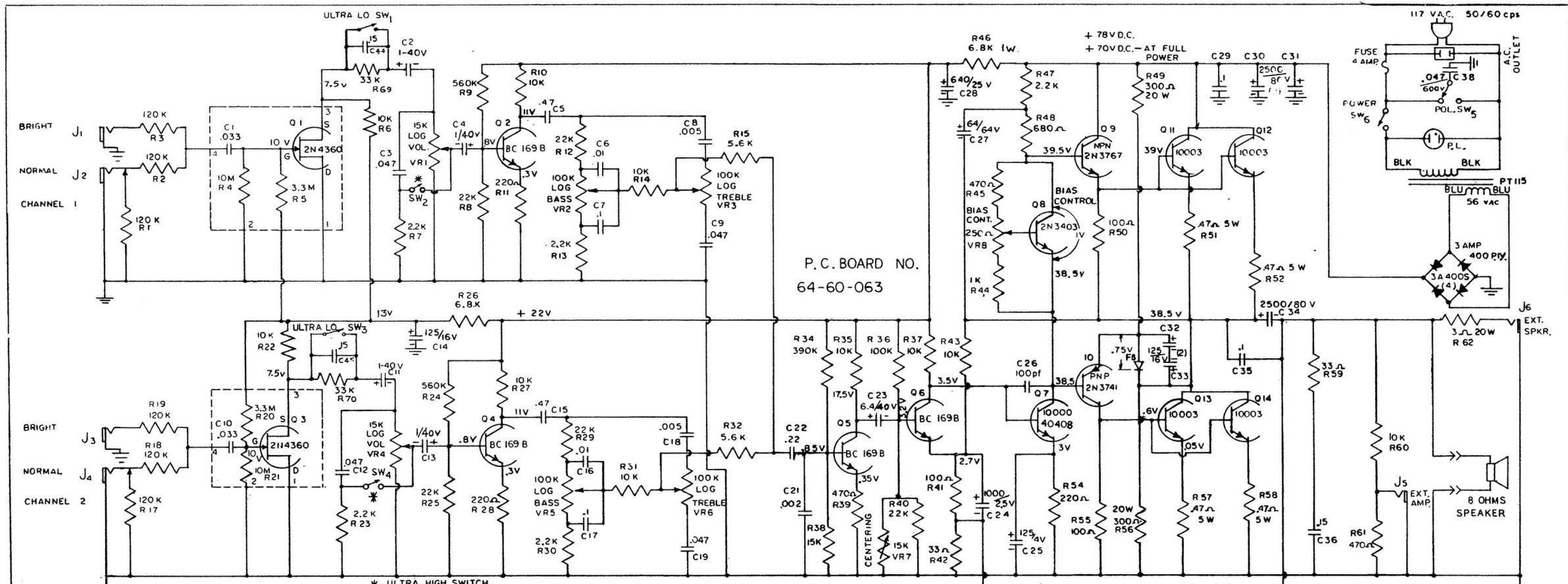
4010020  
 DATE: 3.14.68

\* ULTRA HIGH SWITCH  
 (NORMAL TREBLE AS SHOWN)

WITH NO SIGNAL ADJUST R824 SO THAT VOLTAGES MEASURED ACROSS EACH OF FOUR RESISTORS R841, R842, R843, & R844 ARE .060 V.D.C. ± .030v (.030 V.D.C. MIN. .090 V.D.C. MAX.) THESE VOLTAGES SHOULD RISE UNIFORMLY TO APPROX. 0.6 VDC WITH 100 W. OUTPUT INTO 4 OHM LOAD. ADJUST R812 SO THAT VOLTAGE FROM + TERMINAL OF C841 TO GROUND IS HALF THE SUPPLY VOLTAGE MEASURED AT C11 OR C12

ALL CAPACITORS - M.E.D. UNLESS OTHERWISE SPECIFIED





P.C. BOARD NO.  
64-60-063

**NOTES**

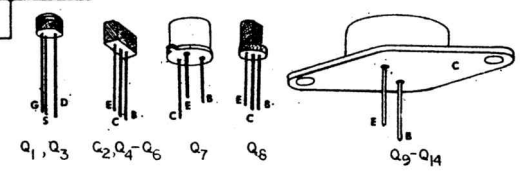
WITH NO SIGNAL ADJUST VR8 SO THAT VOLTAGES MEASURED ACROSS EACH OF FOUR RESISTORS R51, R52, R57 & R58, ARE .060 VDC. ±.030V (.030 VDC. MIN. .090 VDC. MAX.) THESE VOLTAGES SHOULD RISE UNIFORMLY TO APPRX. 0.6 VDC. WITH 100W. OUTPUT INTO 4 OHM LOAD ADJUST VR7 SO THAT VOLTAGE FROM + TERMINAL OF C34 TO GROUND IS HALF THE SUPPLY VOLTAGE MEASURED AT C30 OR C31

THE TRANSISTORS 10003 CAN BE SUBSTITUTED WITH THE 40411

ALL RESISTORS 1/2 W. 10% UNLESS OTHERWISE STATED

ALL CAPACITORS IN MFD UNLESS OTHERWISE STATED

THE TRANSISTOR BC-169 B CAN BE SUBSTITUTED WITH THE 2N3391A



POST OFFICE BOX 315  
AREA CODE (201) 933-4700  
**ampeg**  
LINDEN, NEW JERSEY 07036

**MODEL**  
**BT-15**  
U.S. PAT. 3183305  
SOLID STATE AMPLIFIER

DWN BY CW	768	DWG NO	05100	4010160	REV	A
-----------	-----	--------	-------	---------	-----	---

