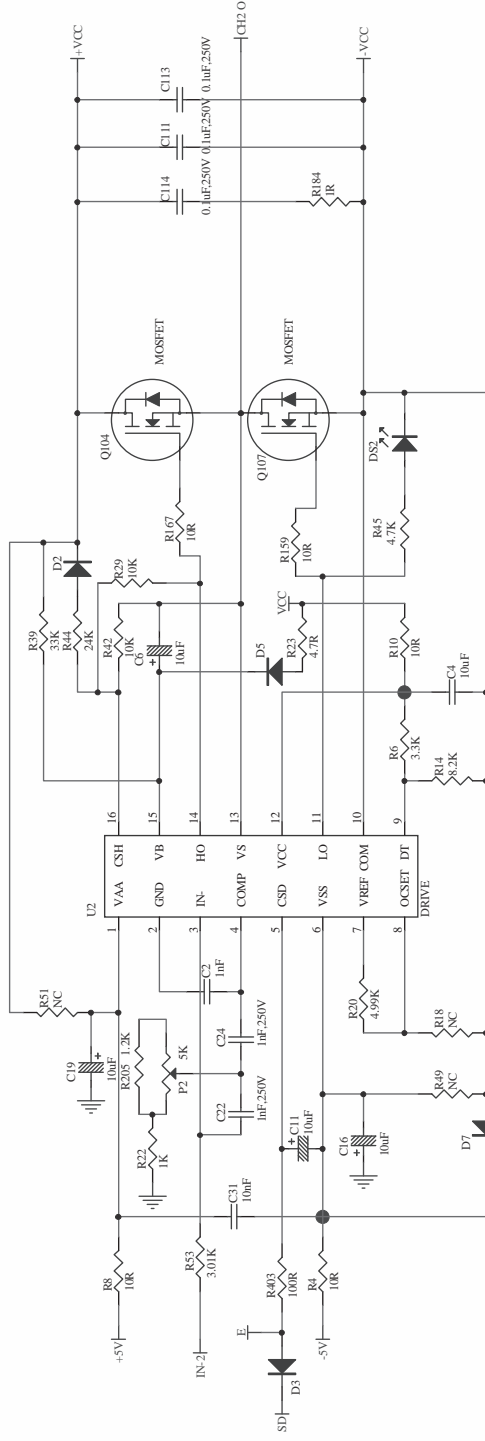


DM 350W+65W/DM 250W+65W MAIN SCH(3/3)



Titel	DM 350W+65W-3		
Size	A3	Model NO:	DM-350W+65W
Date	2012/5/28	Sheet	3 of 3
File	HB0330.DM_350W(250W)+65W.Dwg XiaoPingHuang		