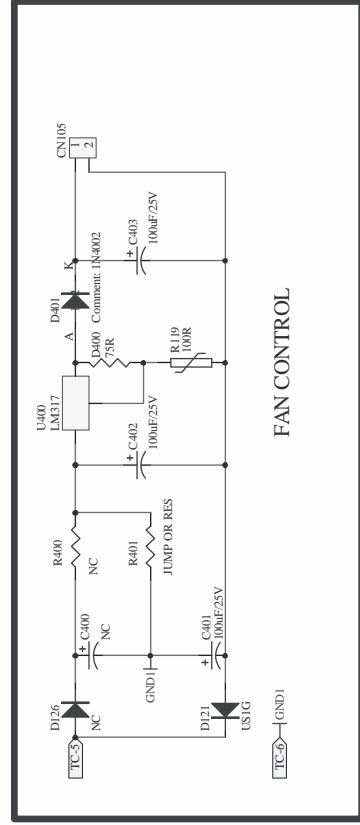
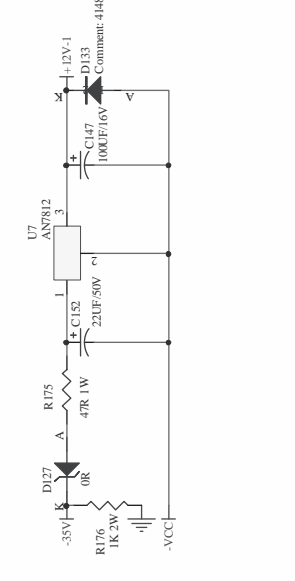
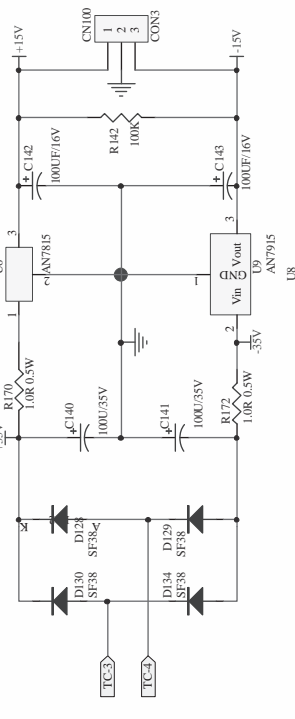
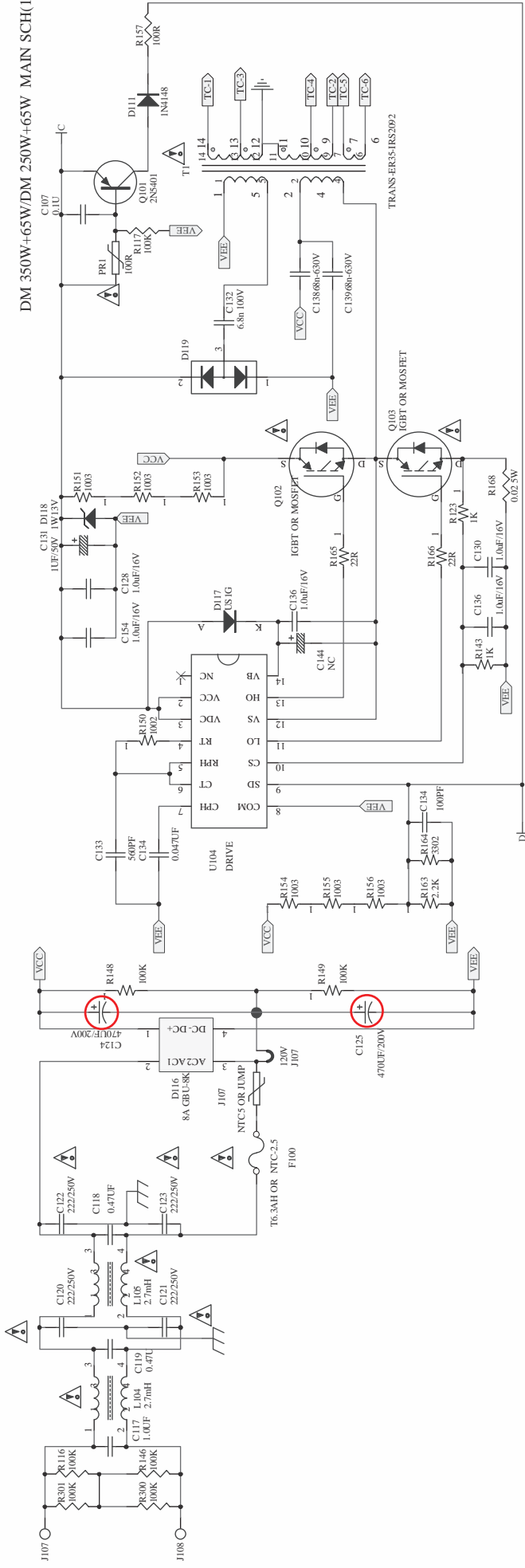


DM 350W+65W/DM 250W+65W MAIN SCH(1/3)



Title	DM 350W+65W-1
Model NO:	DM-350W-65W
Revision	VER 11/28
Size	A3
Date	2012/5/28
Sheet	1 of 3
File	HD0330.DM.350W.250W.65W.Drawing Bgm-1_XiaoPingHuang