

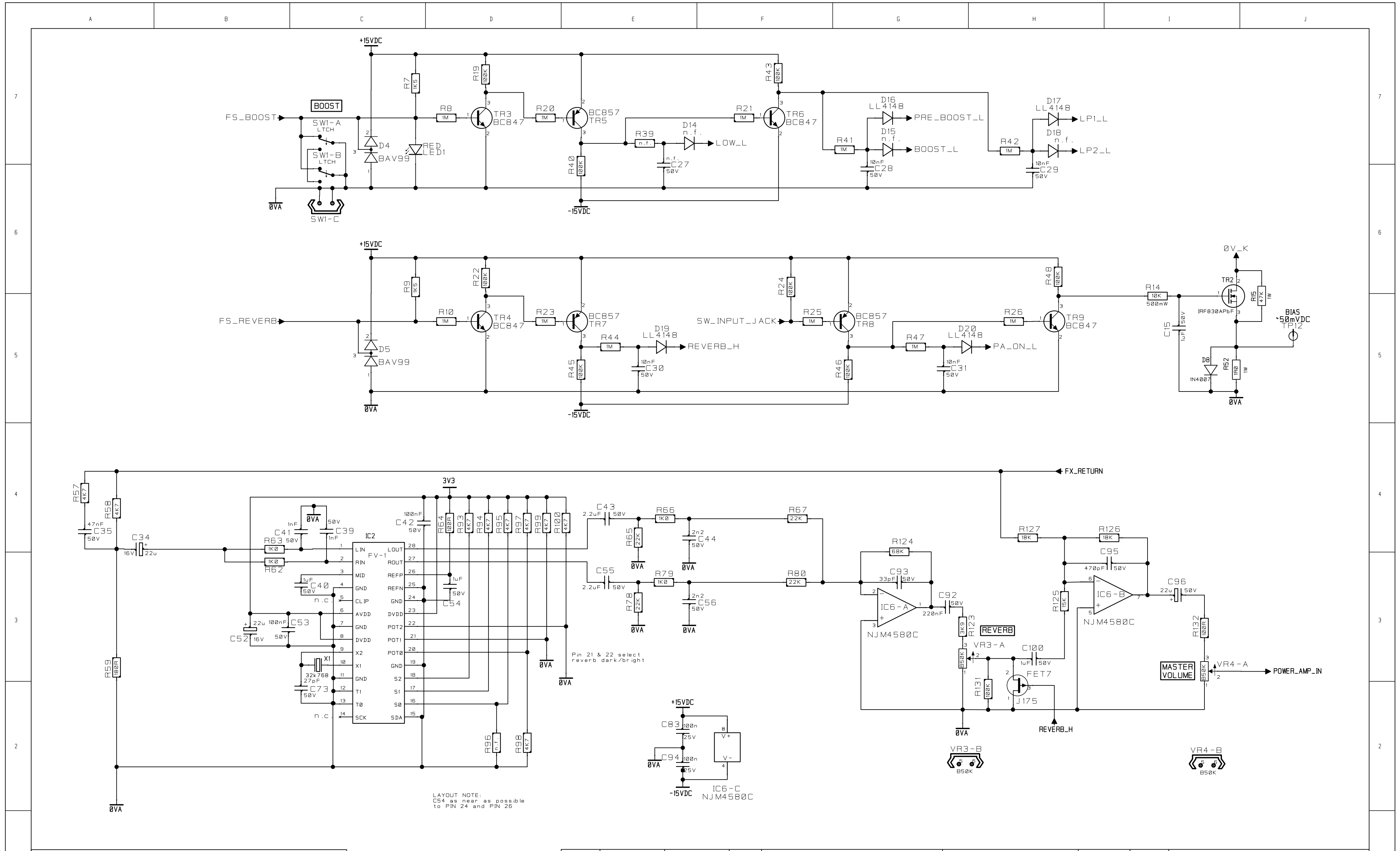
NOTES

n.f. = Non Fitted
n.c. = Not connected

Unless otherwise stated, all capacitors rated at 16V

Ref: Generic

| | | | | | | | |
|---|---------|------|---------|------------------------|-----------------|-----------------|-----------------------------|
| Blackstar AMPLIFICATION <small>COPYRIGHT EXISTS ON THIS DOCUMENT. IT MUST NOT BE USED FOR ANY PURPOSE OTHER THAN THAT FOR WHICH IT WAS SUPPLIED AND MUST NOT BE COPIED IN WHOLE OR PART WITHOUT WRITTEN PERMISSION OF BLACKSTAR AMPLIFICATION</small> | | | | DWG No. 134204S | ISS. D | SHT. 1 OF 3 | TITLE MAIN PCB INPUT STAGES |
| | | | | DRAWN BY R.McGill | DATE 15/09/2017 | MODEL | Artisan 10 AE |
| | | | | CHECKED BY P.J.Stevens | DATE 04/09/2017 | DATE 04/09/2017 | |
| | | | | APPROVED BY L.Veignal | DATE 04/09/2017 | | |
| ISSUE | RFC No. | DATE | INITIAL | | | | |



NOTES

n.f. = Non Fitted
n.c. = Not connected

Unless otherwise stated, all capacitors rated at 16V

Ref: Generic

LAYOUT NOTE:
C54 as near as possible to PIN 24 and PIN 28

Pin 21 & 22 select reverb dark/bright

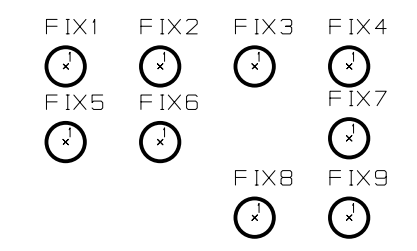
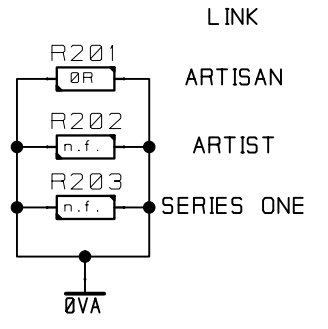
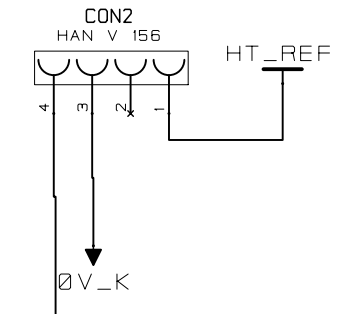
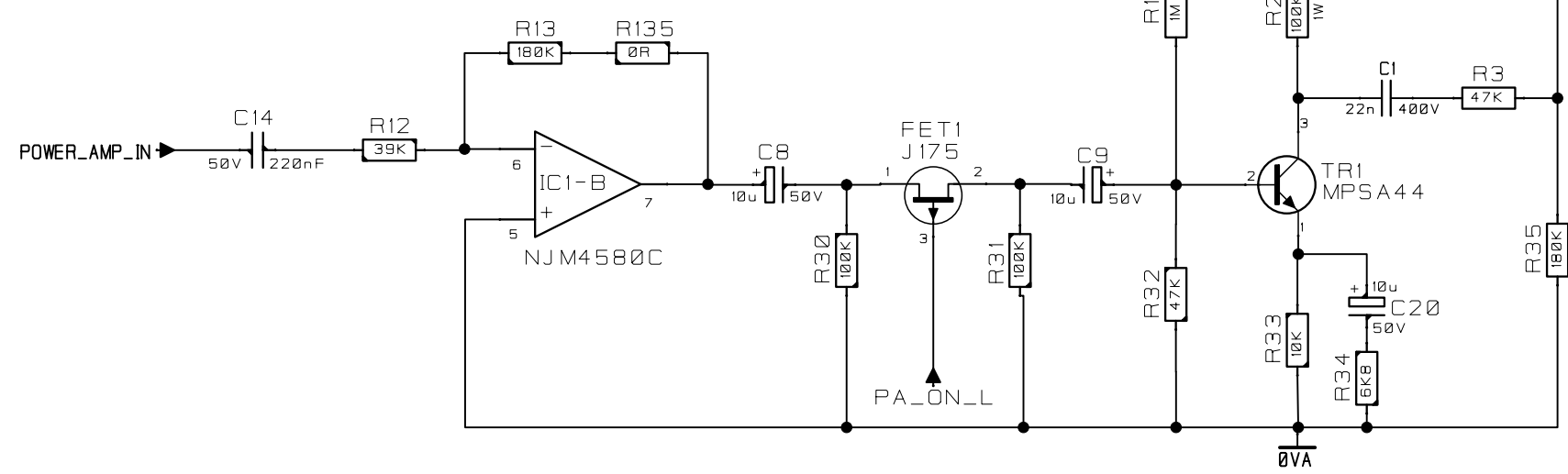
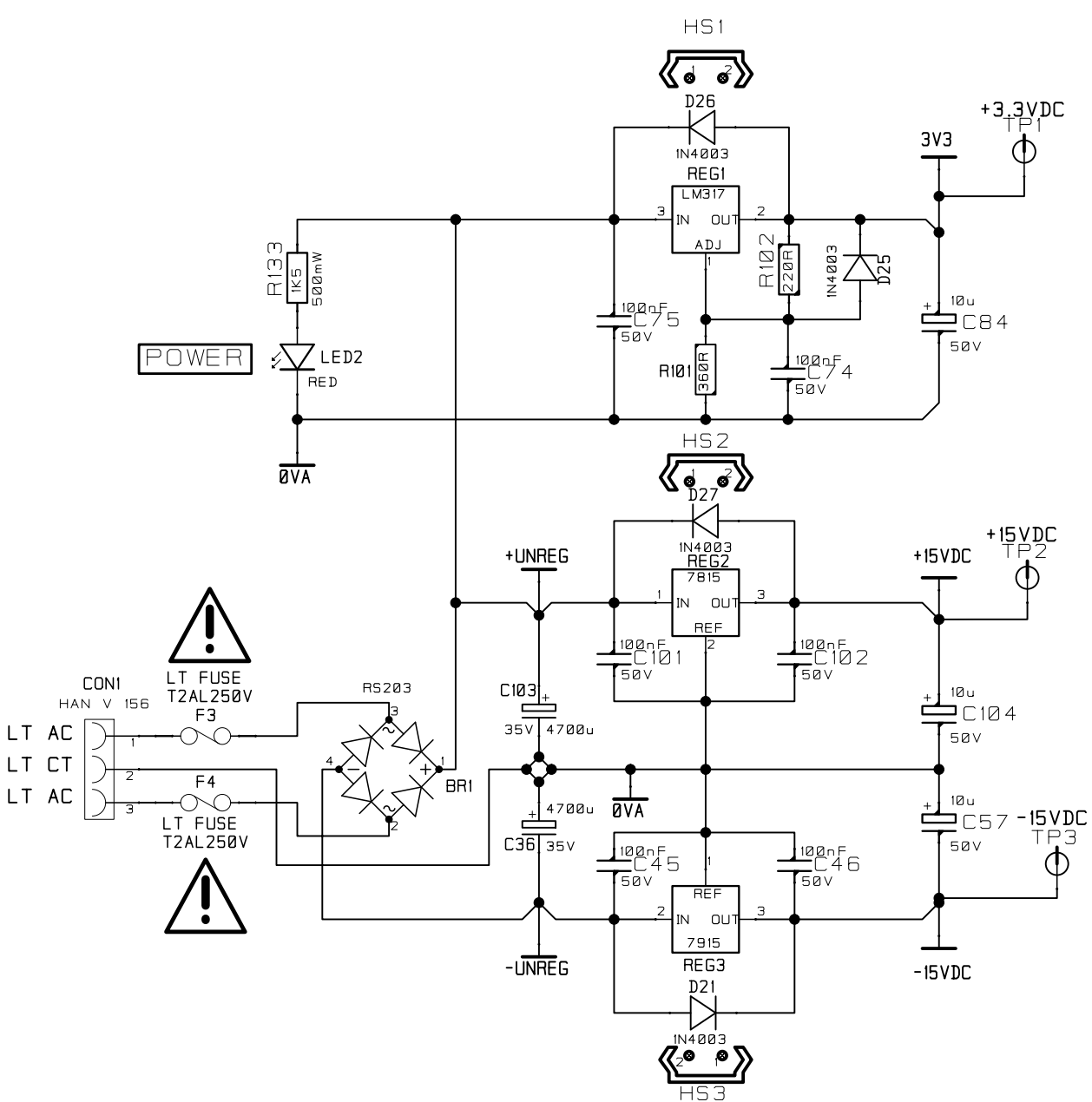
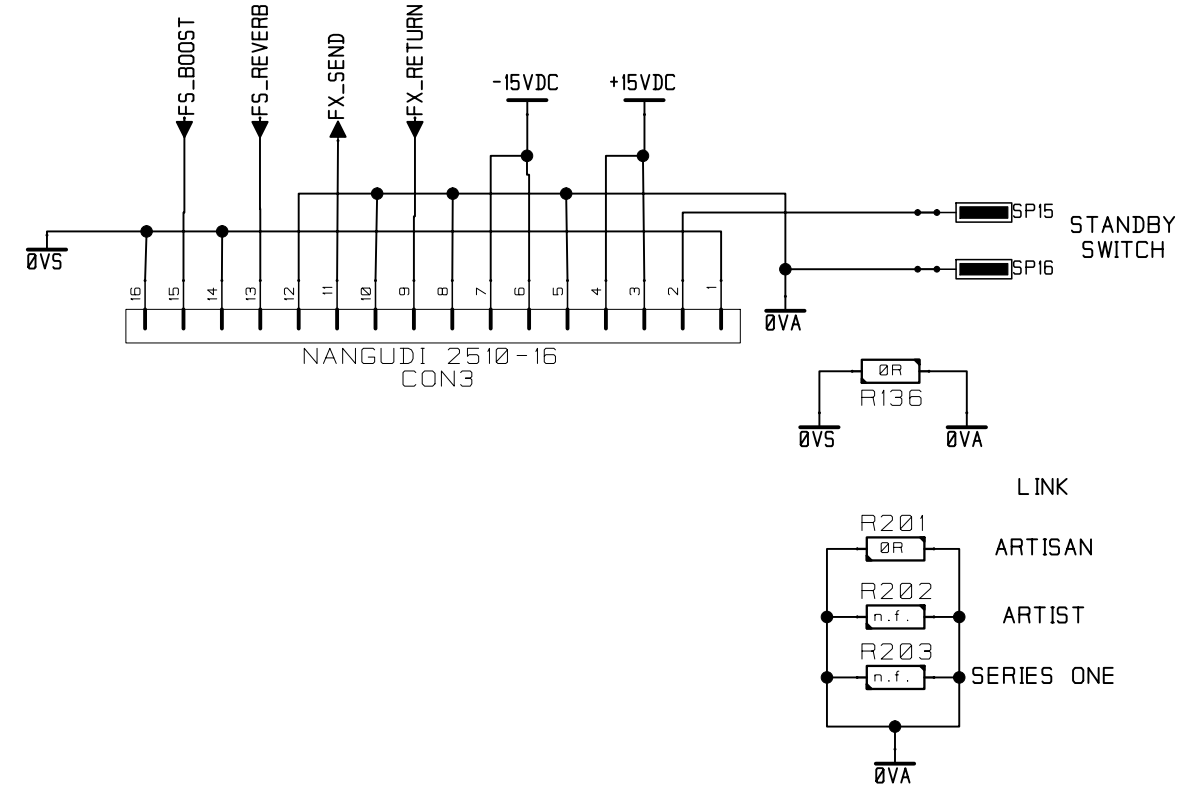
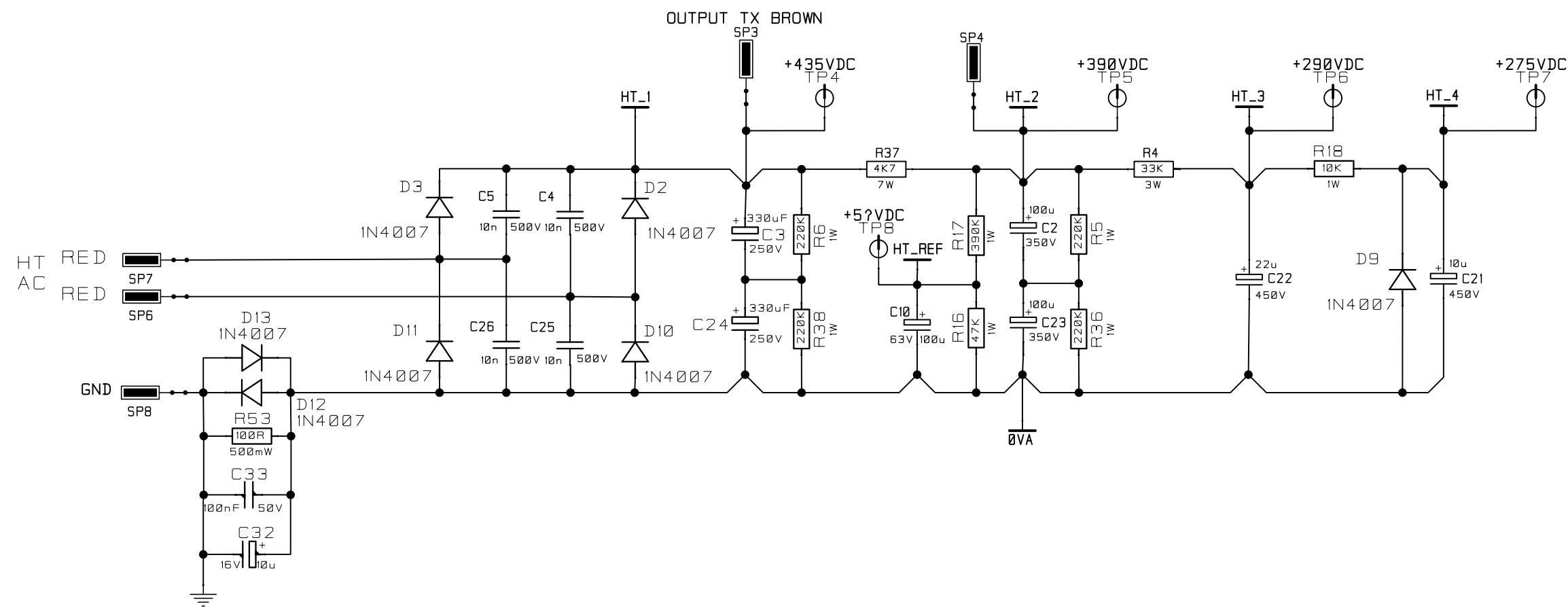
IC6-C NJM4580C

| ISSUE | RFC No. | DATE | INITIAL |
|-------|---------|------|---------|
| | | | |
| | | | |
| | | | |

Blackstar AMPLIFICATION

COPYRIGHT EXISTS ON THIS DOCUMENT. IT MUST NOT BE USED FOR ANY PURPOSE OTHER THAN THAT FOR WHICH IT WAS SUPPLIED AND MUST NOT BE COPIED IN WHOLE OR PART WITHOUT WRITTEN PERMISSION OF BLACKSTAR AMPLIFICATION

| | | | |
|----------------------------|--------------------|--------------------|-------------------|
| DWG No. 1342045 | ISS: D | SHT. 2 OF 3 | TITLE MAIN PCB |
| DRAWN BY R. McGill | DATE 15/09/2017 | REVERB & SWITCHING | |
| CHECKED BY P.J. Stevens | DATE 04/09/2017 | MODEL | |
| APPROVED BY L. Veignal | DATE 04/09/2017 | Artisan 10 AE | |



NOTES

n.f. = Non Fitted
n.c. = Not connected

Unless otherwise stated, all capacitors rated at 16V

Ref: Generic

| ISSUE | RFC No. | DATE | INITIAL |
|-------|---------|------|---------|
| | | | |
| | | | |
| | | | |

| | | | | |
|---|----------------------------|--------------------|-----------------------|-------------------|
| Blackstar AMPLIFICATION <small>COPYRIGHT EXISTS ON THIS DOCUMENT. IT MUST NOT BE USED FOR ANY PURPOSE OTHER THAN THAT FOR WHICH IT WAS SUPPLIED AND MUST NOT BE COPIED IN WHOLE OR PART WITHOUT WRITTEN PERMISSION OF BLACKSTAR AMPLIFICATION</small> | DWG No. 1342045 | ISS: D | SHT. 3 OF 3 | TITLE MAIN PCB |
| | DRAWN BY R. McGill | DATE 15/09/2017 | PSU & POWER AMP DRIVE | |
| | CHECKED BY P.J. Stevens | DATE 04/09/2017 | MODEL | |
| | APPROVED BY L. Veignal | DATE 04/09/2017 | Artisan 10 AE | |