

300 MONITOR™

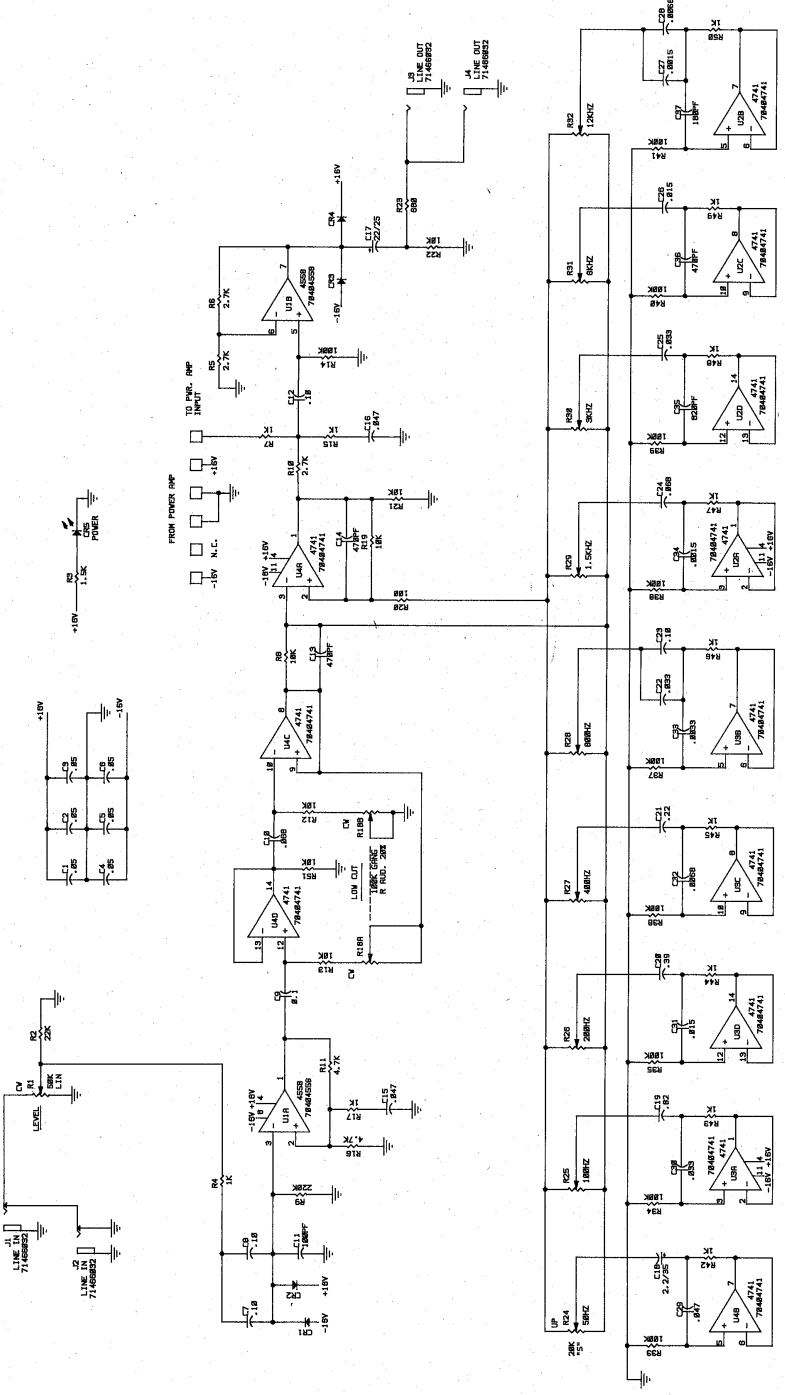
300 CH

050381
8810530

POWER
CR5
71190304
R1
10K
LEVEL
LIM

100K
GANG
LOW CUT
71190324
R18
R19

NOTES:
 1. ALL RESISTORS 1/4W UNLESS NOTED
 2. ALL RESISTORS IN OHMS UNLESS NOTED
 3. ALL CAPACITORS IN PFD UNLESS NOTED
 4. ALL CAPACITORS IN PFD UNLESS NOTED
 5. VOLTAGES MAY VARY FROM UNIT TO UNIT
 6. USE STANDARD COMPONENTS UNLESS NOTED
 7. USE 10% TOLERANCE UNLESS NOTED



300 MONITOR TM
 NO. 49818228 (02-82-87)

PENNEY ELECTRONICS CORP.	
DESIGNED BY <i>DRH</i>	DATE 7-22-87
CHECKED BY <i>DLG</i>	
APPROVED BY <i>JEG</i>	

COPYRIGHT 1987 PENNEY ELECTRONICS CORP. PRINTED IN U.S.A.

P/N 8151515