

# Service Manual



## BUGERA BVV3000 INFINIUM

### Vintage 300-Watt All-Tube Bass Amplifier Head with INFINIUM Tube Life Multiplier

Specifications .....	2
PCB Schematic .....	3
Parts List .....	7
Exploded Drawing .....	24

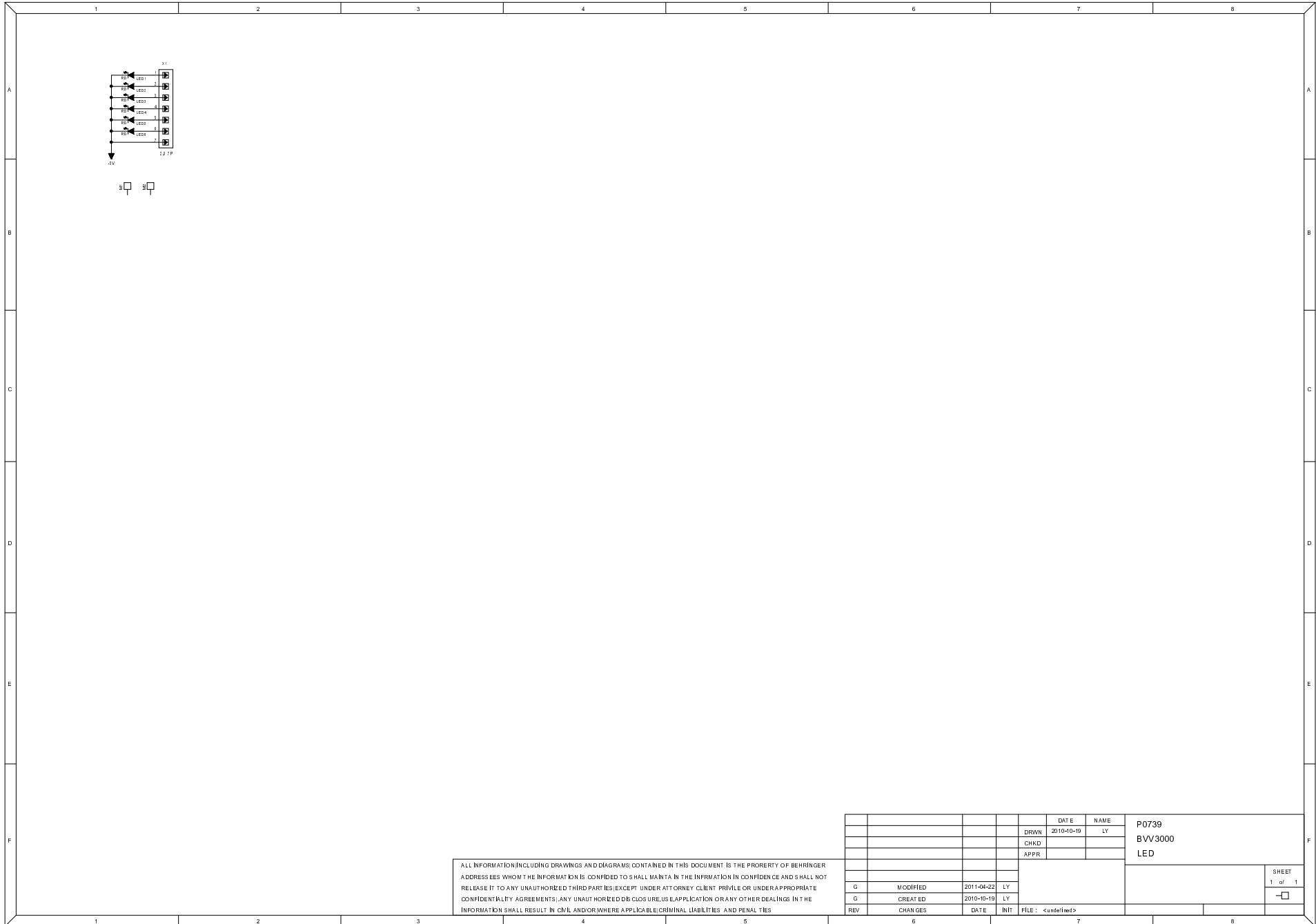
[bugera-amps.com](http://bugera-amps.com)

*Bugera*

# BUGERA BVV3000 INFINIUM

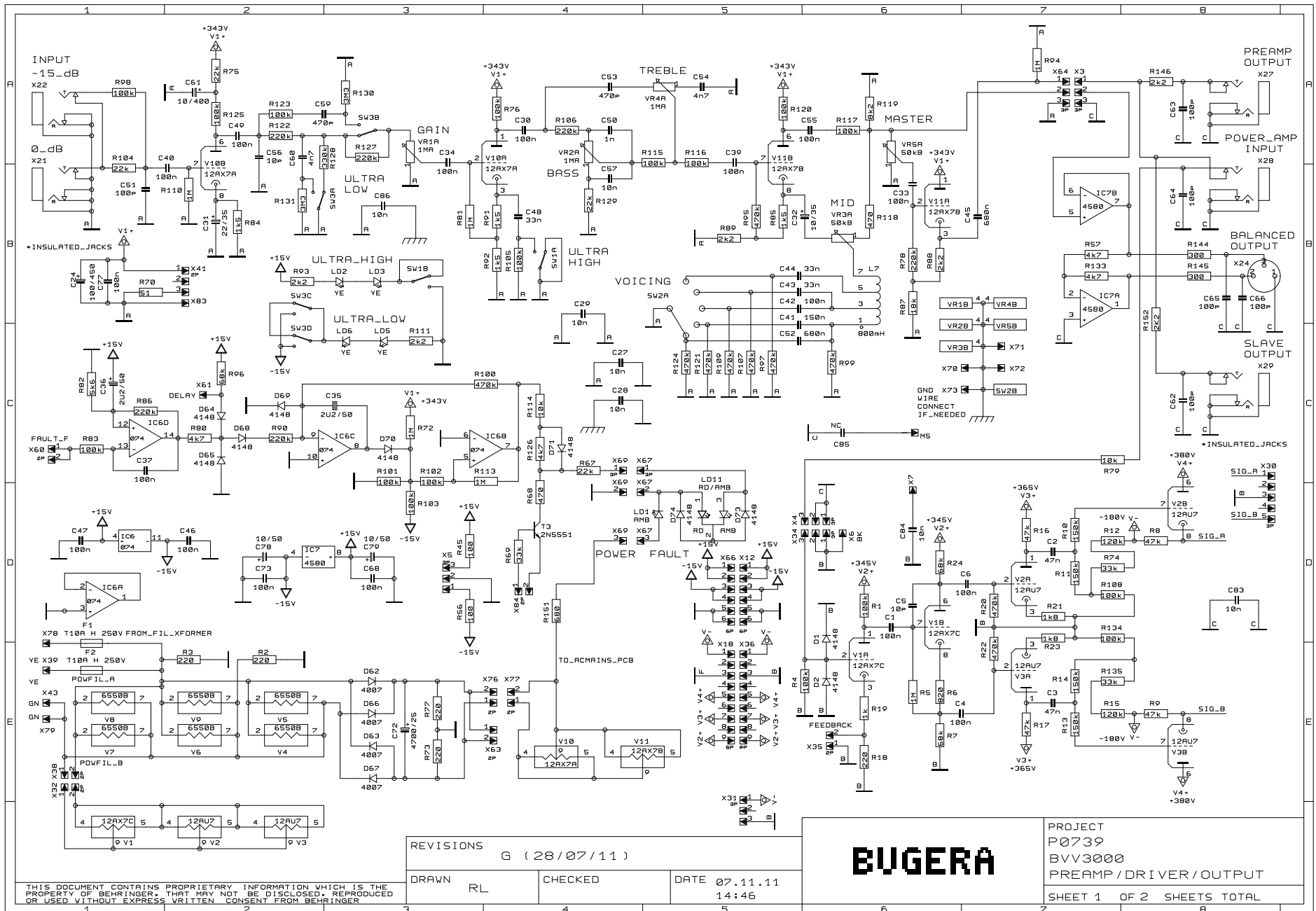
## Specifications

- Hand-built 300-Watt bass amplifier head driven by 6 x 6550 tubes (now compatible with KT88, KT90, KT100, etc.)
- Vintage design from the '60s featuring 3 x 12AX7 and 2 x 12AU7 tubes for harmonically rich and vibrant tube sound
- Revolutionary INFINIUM Tube Life Multiplier technology:– Extends the life of your amplifier's expensive power tubes up to 20 times.– Provides incredible reliability and consistent tone over the complete lifespan of your tubes – No need for expensive matched tube sets– Allows you to mix and match any combination of compatible tube types and brands – Monitors performance of each power tube continuously and displays defective tubes to allow for easy and individual replacement
- Voicing selector provides you with 5 classic sound variations to suit your playing style
- Dedicated Bass, Mid and Treble controls and High/Low switches for ultimate sound shaping
- Balanced XLR DI for direct connection to your mixing console
- Slave Output to connect with additional amplifiers
- Preamp Out and Power Amp In connectors allow you a signal tap from the preamp section and a direct access to the power amp for even greater versatility
- 3 speaker outputs: two 1/4" jacks and a professional speaker connector (compatible with Neutrik Speakon)
- Impedance switch (2 and 4 Ohms) to match virtually any speaker cabinet
- High-quality components and exceptionally rugged construction ensure long life



ALL INFORMATION, INCLUDING DRAWINGS AND DIAGRAMS, CONTAINED IN THIS DOCUMENT IS THE PROPERTY OF BEHRINGER. ADDRESSEES WHOSE INFORMATION IS CONFIDED TO SHALL MAINTAIN THE INFORMATION IN CONFIDENCE AND SHALL NOT RELEASE IT TO ANY UNAUTHORIZED THIRD PARTIES (EXCEPT UNDER ATTORNEY-CLIENT PRIVILEGE OR UNDER APPROPRIATE CONFIDENTIALITY AGREEMENTS). ANY UNAUTHORIZED DISCLOSURE, USE, APPLICATION OR ANY OTHER DEALINGS IN THE INFORMATION SHALL RESULT IN CIVIL AND/OR WHERE APPLICABLE, CRIMINAL LIABILITIES AND PENALTIES.

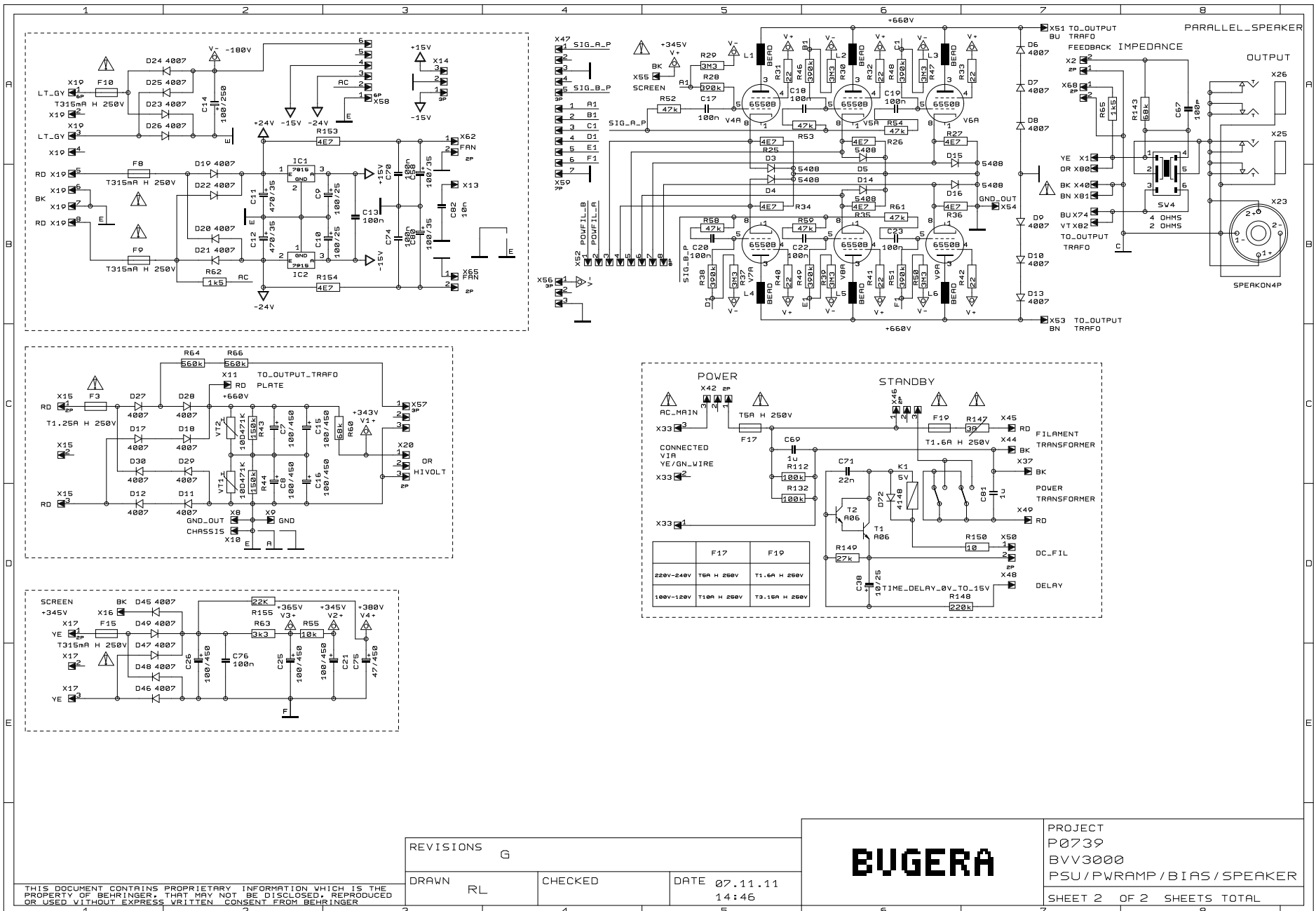
				DATE	NAME	P0739 BVV3000 LED	SHEET 1 of 1
			DRWN	2010-10-19	LY		
			CHKD				
			APPR				
G	MODIFIED	2011-04-22	LY				
G	CREATED	2010-10-19	LY				
REV	CHANGES	DATE	INIT	FILE:	<undefined>		



REVISIONS		G (28/07/11)	
DRAWN	RL	CHECKED	DATE 07.11.11 14:46

**BUGERA**

PROJECT  
P0739  
BVV3000  
PREAMP / DRIVER / OUTPUT  
SHEET 1 OF 2 SHEETS TOTAL



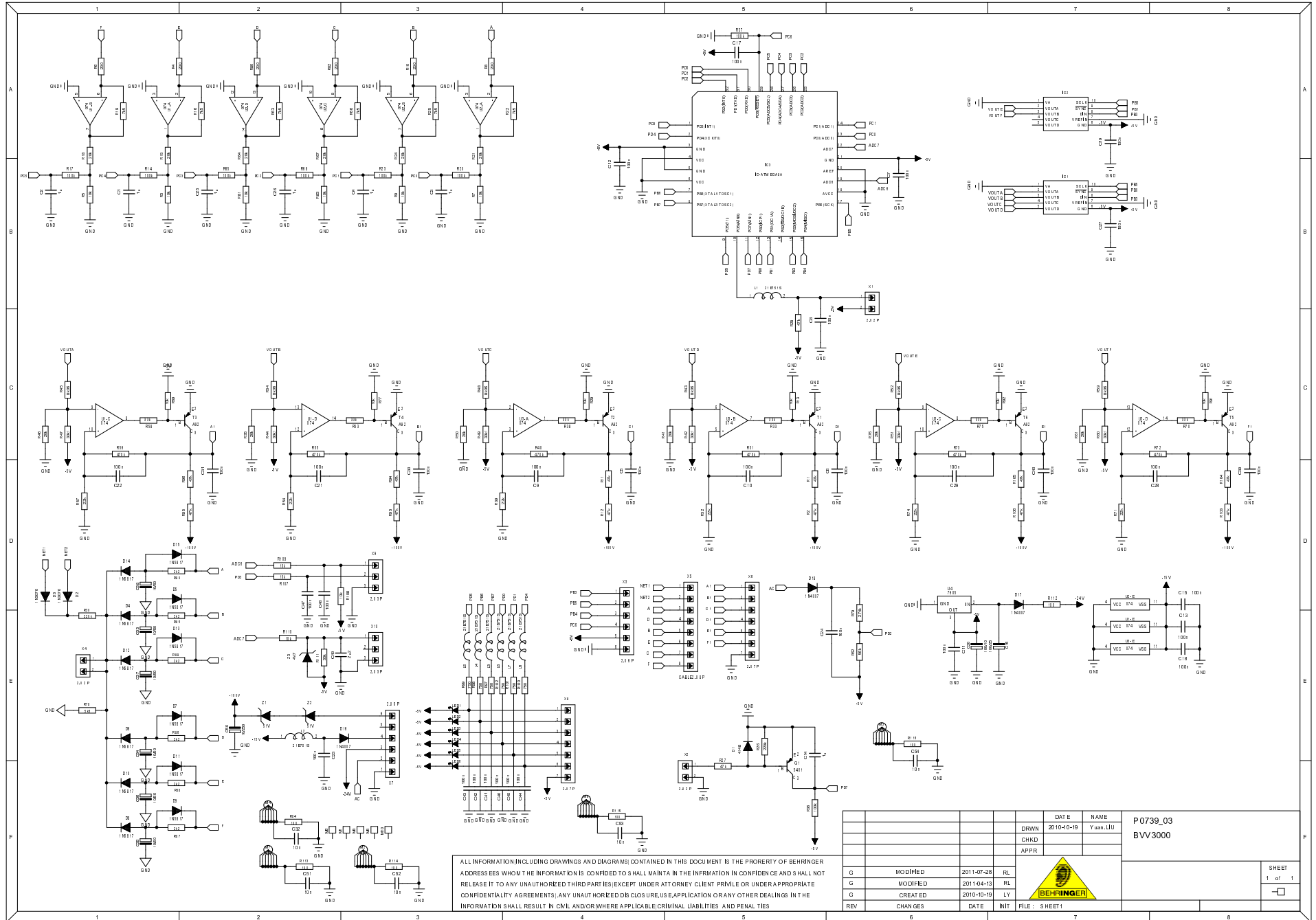
REVISIONS		G	
DRAWN	RL	CHECKED	
DATE 07.11.11		14:46	

**BUGERA**

PROJECT  
P0739  
BVV3000  
PSU/PWRAMP/BIAS/SPEAKER

SHEET 2 OF 2 SHEETS TOTAL

THIS DOCUMENT CONTAINS PROPRIETARY INFORMATION WHICH IS THE PROPERTY OF BEHRINGER. THAT MAY NOT BE DISCLOSED, REPRODUCED OR USED WITHOUT EXPRESS WRITTEN CONSENT FROM BEHRINGER



ALL INFORMATION INCLUDING DRAWINGS AND DIAGRAMS CONTAINED IN THIS DOCUMENT IS THE PROPERTY OF BEHRINGER ADDRESS WHOSE INFORMATION IS CONFIDED TO SHALL MAINTAIN THE INFORMATION IN CONFIDENCE AND SHALL NOT RELEASE IT TO ANY UNAUTHORIZED THIRD PARTIES (EXCEPT UNDER ATTORNEY CLIENT PRIVILEGE OR UNDER AN APPROPRIATE CONFIDENTIALITY AGREEMENT); ANY UNAUTHORIZED DISCLOSURE, USE, APPLICATION OR ANY OTHER DEALINGS IN THE INFORMATION SHALL RESULT IN CIVIL AND/OR WHERE APPLICABLE CRIMINAL LIABILITIES AND PENAL TIES

REV	DATE	BY	CHKD	APPR	FILE
G	2011-07-28	RL			
G	2011-04-13	RL			
G	2010-10-19	LY			

DATE	2010-10-19
NAME	Yuan.LIU
DRWN	
CHKD	
APPR	

P0739\_03  
BVV3000



SHEET  
1 of 1

**Hi Pcb Assemblies**

	<b>Quantity</b>	<b>Unit</b>	<b>Item</b>	<b>Rev</b>	<b>Description</b>	<b>Reference Designators</b>	<b>Notes</b>
1	1.0000	PC	A05-73901-00107		PCB ASSEMBLY;P0739;1;G;HI		
2	1.0000	PC	A05-73902-00107		PCB ASSEMBLY;P0739;2;G;HI		
3	1.0000	PC	A05-73903-00107		PCB ASSEMBLY;P0739;3;G;HI		
4	1.0000	PC	A05-73904-00107		PCB ASSEMBLY;P0739;4;G;HI		
5	1.0000	PC	A05-73905-00107		PCB ASSEMBLY;P0739;5;G;HI		
6	1.0000	PC	A05-73906-00107		PCB ASSEMBLY;P0739;6;G;HI		
7	1.0000	PC	A05-73907-00107		PCB ASSEMBLY;P0739;7;G;HI		
8	1.0000	PC	A05-73908-00107		PCB ASSEMBLY;P0739;8;G;HI		
9	1.0000	PC	A05-73909-00107		PCB ASSEMBLY;P0739;9;G;HI		

## Cable

	Quantity	Unit	Item	Rev	Description	Reference Designators	Notes
1	1.0000	PC	A74-00000-24507		CABLE;FLAT;AWG:28;UL2651;2.54 MM;8;60 MM;PIN1 RED;FC-08;FD-08	[P0739:03: {1.0}(X5)]	PCB05 X52
2	1.0000	PC	A77-00000-07552		CABLE;STRANDWIRE;AWG:18;UL1015;600 MM;BROWN;2-6.3MM AMP-CONNECTOR	PCB1, X61]	PCB06/X48
3	1.0000	PC	A77-00000-17870		CABLE;STRANDWIRE;AWG:18;UL1015;320 MM;BLACK	[P0739:04: {1.0}(X8)]	PCB05 X54
4	1.0000	PC	A77-00000-17871		CABLE;STRANDWIRE;AWG:18;UL1015;330 MM;BLACK		UPPER CASE LOWEE CHASSIS
5	1.0000	PC	A77-00000-17910		CABLE;STRANDWIRE;AWG:18;UL1015;240 MM;BLACK	[P0739:04: {1.0}]	PCB05/X55
6	1.0000	PC	A77-08027-92208		CABLE;STRANDWIRE;LENGTH:80mm;ZEE;AWG:18;UL1015;STRIP-TIN/LUG 4mm3;S/T LENGTH:7mm;COLOR:YEL/GRN		
7	1.0000	PC	A81-00000-00413		WIRE HARNESS;AWG:18;UL1015;3.96 MM;2;COMMON;380 MM;BLACK/RED;X-JS4008;JS1121	[P0739:05: {1.0}(X63)]	
8	2.0000	PC	A81-00000-02255		WIRE HARNESS;AWG:26;UL1007;2 MM;COMMON;180 MM;RD/BK;X-P1018;HM-02	[P0739:04: {2.0}(X62, X65)]	
9	1.0000	PC	A81-00000-07553		WIRE HARNESS;AWG:26;UL2468;2 MM;2;500 MM;RD/BK;2A2006H	PCB1, X60]	PCB03/X4
10	1.0000	PC	A81-00000-07556		WIRE HARNESS;AWG:26;UL2468;2 MM;6;420 MM;PIN1 RED;2A2006H	PCB1, X66]	PCB04/X12
11	1.0000	PC	A81-00000-07557		WIRE HARNESS;AWG:18;UL1672;3.96 MM;3;650 MM;BLACK;JS1121;2-6.3MM AMP;NO PIN2	PCB6, X42]	POWER SWITCH
12	1.0000	PC	A81-00000-07558		WIRE HARNESS;AWG:18;UL1015;3.96 MM;2;400 MM;RD/BK;X-JS4008;JS1121	[P0739:05: {1.0}(X76)]	PCB01 X77
13	1.0000	PC	A81-00000-17881		WIRE HARNESS;AWG:18;UL1015;3.96 MM;2;COMMON;230 MM;BLACK/RED	[P0739:07: {1.0}(X35)]	PCB08 X2
14	1.0000	PC	A81-00000-17883		WIRE HARNESS;AWG:26;UL2547;2 MM;3;COMMON;70 MM;ALL BLACK PIN1 RED	[P0739:07: {1.0}(X34)]	PCB08 X4
15	1.0000	PC	A81-00000-17884		WIRE HARNESS;AWG:26;UL2468;2 MM;3;150 MM;ALL BLACK PIN1 RED	[P0739:02: {1.0}(PCB2, X67)]	
16	1.0000	PC	A81-00000-17885		WIRE HARNESS;AWG:18;UL1015;3.96 MM;9;110 MM;ALL BLACK PIN1 RED	[P0739:07: {1.0}(X36)]	PCB04 X18
17	1.0000	PC	A81-00000-17888		WIRE HARNESS;AWG:26;UL2468;2 MM;5;140 MM;ALL BLACK PIN1 RED	[P0739:07: {1.0}(X30)]	PCB05 X47
18	1.0000	PC	A81-00000-17891		WIRE HARNESS;AWG:18;UL1015;3.96 MM;2;100 MM;ALL BLACK PIN1 RED	[P0739:07: {1.0}(X32)]	PCB05 X38
19	1.0000	PC	A81-00000-24506		WIRE HARNESS;AWG:26;UL2547;2 MM;3;600 MM;PIN1 RED;2A2006H;SHIELD PIN3	PCB1, PCB8, X3, X64]	
20	1.0000	PC	A81-00000-24509		WIRE HARNESS;AWG:26;UL2468;2 MM;7;360 MM;PIN1 RED;2A2006H		PCB03/X8 PCB09/X1
21	1.0000	PC	A81-00000-24510		WIRE HARNESS;AWG:26;UL2547;2 MM;3;300 MM;PIN1 RED;2A2006H;SHIELD PIN2		PCB04/X14 PCB08/X5



	Quantity	Unit	Item	Rev	Description	Reference Designators	Notes
					MARKING;A2006H;P1018;NO PIN2;ADD SHRINK TUBE		
23	1.0000	PC	A81-00000-37224		WIRE HARNESS;AWG:26;UL2468;2 MM;3;270 MM;PIN1 RED;2A2006H;NO PIN2		PCB03/X10 PCB04/X57
24	1.0000	PC	A81-00000-37228		WIRE HARNESS;AWG:26;UL2468;2 MM;6;260 MM;PIN1 RED;2A2006H;NO PIN5		PCB03/X7 PCB04/X58
25	1.0000	PC	A81-00000-37232		WIRE HARNESS;AWG:26;UL2468;2 MM;2;350 MM;PIN1 RED;2A2006H		PCB03/X2 PCB08/X68
26	1.0000	PC	A81-00000-39746		WIRE HARNESS;AWG:26;UL2468;2 MM;2;PIN1 RED;600 MM;2A2006H-02P	PCB1, X84]	
27	1.0000	PC	A81-00000-43642		WIRE HARNESS;AWG:18;UL1007;3.96 MM;3;COMMON;PIN1 RED;600 MM;2JS1121;NO PIN2	PCB1, X41]	PCB04/X20
28	1.0000	PC	A81-00000-43643		WIRE HARNESS;AWG:26;UL2468;2 MM;7;COMMON;PIN1 RED;280 MM;2A2006H		PCB05/X59 PCB03/X6
29	1.0000	PC	A85-00000-00419		WIRE HARNESS;AWG:18;UL1672;3.96 MM;3;COMMON;580 MM;RED;SPECIAL	PCB6, X46]	STANDBY SWITCH
30	1.0000	PC	A76-15042-05624		CABLE;AC-CORD;W/POLYBAG;LENGTH:150cm;H05VV-F3G0.75MM2;VERSION;UK;SPEC.NO:05624		(UK)
31	1.0000	PC	A76-00000-05305		CABLE;AC-CORD;3;BR;1500 MM;Plug + Connector:375+730;H05VV-F 3G0.75		(BR)
32	1.0000	PC	A76-15212-03119		CABLE;AC-CORD;W/POLYBAG;LENGTH:152cm;H05VV-F 3G 0.75MM2;VERSION;EU;SPEC.NO:03119		(EU)
33	1.0000	PC	A76-18050-47490		CABLE;AC-CORD;LENGTH:180cm;VERSION:SAA;PLUG:HE105 ISOLATED;SAA H05VV-F 3x0.75mm2;CONN.HP-3;SPEC.NO:47490		(SAA)
34	1.0000	PC	A76-15222-06417		CABLE;AC-CORD;W/POLYBAG;LENGTH:152cm;AWG:18;VERSION;UL;SPEC.NO:06417		(UL)
35	1.0000	PC	A76-00000-13573		CABLE;AC-CORD;3;AR;1500 MM;Plug + Connector:321+730;H05VV-F 3G0.75		(AR)
36	1.0000	PC	A76-15032-55649		CABLE;AC-CORD;CLASS II;W/POLYBAG;JAPAN;LENGTH:150cm;POLES:3;APPROVAL:PSE;JS15S3 + VCTF 3x0.75mm2 + V1528		(JP, HL, SH)

## Circuit Protector

	Quantity	Unit	Item	Rev	Description	Reference Designators	Notes
1	16.0000	PC	B21-15201-52000		FUSE CLIP;2 A;V;ZINC PLATING;250V;SERIES;520;FUSE;250 V;PLATING	[P0739:04: {10.0}] <b>[P0739:05: {4.0}]</b> [P0739:06: {2.0}]	for F3,F8,F9,F10,F15, F1, F2, for F19
2	4.0000	PC	B22-01512-31501		FUSE;315mA;250V;SLOW BLOW;H-TYPE;5mm x 20mm	[P0739:04: {4.0}{F8-F10, F15}]	
3	1.0000	PC	B22-01513-12501		FUSE;1A25;250V;SLOW BLOW;H-TYPE;5mm x 20mm	[P0739:04: {1.0}{F3}]	
4	1.0000	PC	B22-01515-00001		FUSE;5A;250V;SLOW BLOW;H-TYPE;5mm x 20mm	F17]	(EU, UK, SAA, AR)
5	1.0000	PC	B22-01513-16001		FUSE;1A6;250V;SLOW BLOW;H-TYPE;5mm x 20mm	F19]	(EU, UK, SAA, AR)
6	2.0000	PC	B22-01514-10001		FUSE;10A;250V;SLOW BLOW;H-TYPE;5mm x 20mm	[P0739:05: {2.0}{F1-F2}]	(EU, UK, SAA, AR)
7	1.0000	PC	B22-01513-31501		FUSE;3A15;250V;SLOW BLOW;H-TYPE;5mm x 20mm	F19]	(UL, JP, BR, HL, SH)
8	3.0000	PC	B22-01514-10001		FUSE;10A;250V;SLOW BLOW;H-TYPE;5mm x 20mm	[P0739:05: {2.0}{F1-F2}]	(UL, JP, BR, HL, SH)

## Coil

	Quantity	Unit	Item	Rev	Description	Reference Designators	Notes
1	8.0000	PC	B39-00000-03394		COIL;SMD;BEAD;SMD0805;(BLM21BD751SN1D)	[P0739:03: {8.0}{L1-L8}]	
2	1.0000	PC	B41-25800-02223		COIL;800mH;SHIELDED;PCB;(3L ELECTRONIC;L-EE19- 802K-CASE)	[P0739:01: {1.0}{L7}]	
3	6.0000	PC	B44-30000-03404		COIL;BEAD;6A;(MURATA BL01RN1A1F1J))	[P0739:05: {6.0}{L1-L6}]	

## Connector

	Quantity	Unit	Item	Rev	Description	Reference Designators	Notes
1	1.0000	PC	B80-14440-01101		CONNECTOR;SPEAKON;MALE;STRAIGHT;POLES:4;STYLE: NL4MDV;(CHUN-SHENG HP-01-EP)	[P0739:08: {1.0}{X23}]	
2	21.0000	PC	B84-39000-03120		CONNECTOR;AMP;PCB;PCB MOUNT;PITCH:5mm;WIDTH:6mm3	[P0739:01: {1.0}{X61}] <b>[P0739:04: {1.0}{X11}]</b> [P0739:05: {8.0}{X39, X43, X51, X53-X55, X78-X79}] <b>[P0739:06: {5.0}{X37, X44-X45, X48-X49}]</b> [P0739:08: {6.0}{X1, X40, X74, X80-X82}]	
3	1.0000	PC	B95-01320-03303		CONNECTOR;XLR;SOCKET;MALE;STRAIGHT;POLES:3	[P0739:08: {1.0}{X24}]	

## Diode

	Quantity	Unit	Item	Rev	Description	Reference Designators	Notes
1	2.0000	PC	C11-02013-07023		DIODE;1N3070;DO35	[P0739:03: {2.0}(D2-D3)]	
2	12.0000	PC	C11-02014-14843		DIODE;1N4148;DO35	[P0739:01: {6.0}(D64-D65, D68-D71)]  <b>[P0739:02: {2.0}(D73-D74)]</b>  [P0739:03: {1.0}(D1)]  <b>[P0739:06: {1.0}(D72)]</b>  [P0739:07: {2.0}(D1-D2)]	
3	34.0000	PC	C11-03014-00700		DIODE;1N4007;DO41	[P0739:03: {3.0}(D16-D18)]  <b>[P0739:04: {21.0}(D11-D12, D17-D30, D45-D49)]</b>  [P0739:05: {10.0}(D6-D10, D13, D62-D63, D66-D67)]	
4	12.0000	PC	C11-03015-81733		DIODE;1N5817;DO41	[P0739:03: {12.0}(D4-D15)]	
5	1.0000	PC	C12-14200-04703		DIODE;ZMM04V7;SMD1206;SMD	[P0739:03: {1.0}(Z3)]	
6	2.0000	PC	C12-14200-51003		DIODE;ZMM51V0;SMD1206	[P0739:03: {2.0}(Z1-Z2)]	
7	6.0000	PC	C13-08010-00080		DIODE;1N5408;DO201AD;TAPING	[P0739:05: {6.0}(D3-D5, D14-D16)]	

## Hardware

	Quantity	Unit	Item	Rev	Description	Reference Designators	Notes
1	70.0000	PC	F80-11025-33087		NAIL;CROWN:2mm2;WIDTH:1mm27;THICKNESS:1mm0; LENGHTH:25mm;18-GAUGE (0.49*0.40) FINISH;GALVANIZED		
2	60.0000	PC	F80-12010-39256		NAIL;STAPLE;CROWN 10mm;LELENGTH:6mm;WIDTH:1.2mm;THICKNESS:0m m6;FINISH;GALVANIZED		
3	24.0000	PC	F83-04000-00021		CABLE TIE;NYLON;4in;COLOR:		
4	1.0000	PC	F83-10044-05631		WIRECLAMP;LUG:4mm4;LENGTH:56mm;OUTER DIA;8mm;PLASTIC COVERED STEEL;COLOR:BLK		
5	0.1300	G	F84-01800-09286		THERM-GREASE;COLOR:WHT;SPEC.NO:09286	[P0739:03: {0.13}]	
6	0.1440	G	F84-03000-01090		SCREWLOCK;SPEC.NO:01090	[P0739:03: {0.044}]	
7	2.0000	PC	F85-00000-09365		NUT;M;3 MM;3.2 MM;HEX WASHER;7.3 MM;ZINC;BLUE;HEXAGON REC.;0.5 MM;M3*0.5mm NUT WITH TEETH EXTERNAL WASHER		
8	1.0000	PC	F85-03000-44001		HEX.NUT;INNER DIA;M3mm;SURFACE:ZINC	[P0739:03: {1.0}]	
9	13.0000	PC	F85-04000-21007		T-NUT;INNER DIA;M4mm;W/PRONG;SURFACE:ZINC/BLACK		
10	5.0000	PC	F85-04000-44001		HEX. NUT;INNER DIA;M4mm;SURFACE:ZINC		NUT FOR GROUND, NUT FOR FILAMENT TRAFO & GROUND
11	8.0000	PC	F85-05000-44001		HEX. NUT;INNER DIA;M5mm;SURFACE:ZINC		NUT FOR OUTPUT & POWER TRAFO
12	12.0000	PC	F85-05008-21007		T-NUT;INNER DIA;M5mm;THICK:8mmW/PRONG;SURFACE:ZINC;COLO R:BLACK		
13	6.0000	PC	F85-09020-44755		HEX. NUT;THREAD:9mm;THICKNESS:2mm;PITCH:0mm75;SUR FACE:NICKEL;(PHONE JACK)		
14	7.0000	PC	F85-09535-45795		OCT. NUT;FOR JACK;3/8in;OCTWRENCH:14.5mm;THICKNESS:3.5mm;SU RFACE:NICKEL/SILVER		NUT FOR METAL PHONE JACK
15	9.0000	PC	F87-00200-10103		RUBBER BUSHING;I00172P;DST.NO:002;DPT.NO:10103;(I00172P- RUBBER_BUSHING-REVB.dwf)		BUSHING FOR CABLES
16	4.0000	PC	F88-00000-26270		SCREW;M;4 MM;27 MM;OVAL;8 MM;CHROME;SILVER;0.7 MM		
17	12.0000	PC	F88-00000-52716		SCREW;A;4 MM;13 MM;TRUSS;CHROME;PHILIPS REC.;2.84 MM;SC;A4*13mm		Screw for handle, metal corner
18	2.0000	PC	F88-04120-50207		SCREW;FA4mm*12mm;HEAD:FLAT;INSERT:PHILLIPS REC.;SURFACE:ZINC/BLACK		SCREW FOR SPEAK- ON
19	33.0000	PC	F88-30050-30291		SCREW;M3mm*5mm;HEAD:PAN;INSERT:PHILIPS REC.;SURFACE:SILVER ZINC		MOUNTING SCREW FOR PCB GROUND

	Quantity	Unit	Item	Rev	Description	Reference Designators	Notes
					m2;INSERT:PHILIPS REC.;SURFACE:BLACK/ZINC		REAR MET-PANEL
21	14.0000	PC	F88-30070-30297		SCREW;M3mm*7mm;HEAD:PAN;INSERT:PHILIPS REC.;SURFACE:BLACK/ZINC		SCREW FOR SPRING HOLDER
22	4.0000	PC	F88-30080-40297		SCREW;M3mm*8mm;HEAD:TRUSS;INSERT:CROSS;SURFACE:BLACK/ZINC;DIA=5.2mm		SCREW FOR METAL STRIP
23	2.0000	PC	F88-30100-30217		SCREW;A3mm*10mm;HEAD:PAN;INSERT:PHILIPS REC.;SURFACE:BLACK/ZINC		SCREW FOR XLR
24	3.0000	PC	F88-30100-30291		SCREW;M3mm*10mm;HEAD:PAN;INSERT:PHILIPS REC.;SURFACE:SILVER ZINC	[P0739:03: {1.0}]	
25	6.0000	PC	F88-40060-10495		SCREW;M4mm*6mm;HEAD:CHEESE;INSERT:HEXAGON REC.;SURFACE:SILVER/NICKEL		
26	2.0000	PC	F88-40080-20291		SCREW;M4mm*8mm;HEAD:BINDING;INSERT:PHILIPS REC.;SURFACE:SILVER/ZINC		
27	3.0000	PC	F88-40080-40297		SCREW;M4mm*8mm;HEAD:TRUSS;INSERT:PHILIPS REC.;SURFACE:BLACK/ZINC		SCREW FOR MESH BRACKET
28	1.0000	PC	F88-40081-10297		SCREW;M4mm*8mm;HEAD:PAN WASHER DIA 9mm;INSERT:PHILIPS REC.;SURFACE:BLACK/ZINC		
29	1.0000	PC	F88-40100-20291		SCREW;M4mm*10mm;HEAD:BINDING;INSERT:PHILIPS REC.;SURFACE:SILVER/ZINC		SCREW FOR GROUND
30	4.0000	PC	F88-40120-30297		SCREW;M4mm*12mm;HEAD:PAN;INSERT:PHILIPS REC.;SURFACE:BLACK/ZINC		
31	1.0000	PC	F88-40130-00217		SCREW;A4mm*13mm;HEAD:PAN WASHER;INSERT:PHILIPS REC.;SURFACE:BLACK/ZINC		
32	5.0000	PC	F88-40211-10297		SCREW;M4mm*21mm;HEAD:PAN WASHER DIA 9mm;INSERT:PHILIPS REC.;SURFACE:BLACK/ZINC		
33	4.0000	PC	F88-40270-60297		SCREW;M4mm*27mm;HEAD:OVAL;INSERT:PHILIPS REC.;SURFACE:BLACK/ZINC		
34	8.0000	PC	F88-40400-30297		SCREW;M4mm*40mm;HEAD:PAN;INSERT:PHILIPS REC.;SURFACE:BLACK/ZINC		
35	8.0000	PC	F88-50140-20297		SCREW;M5mm*14mm;HEAD:BINDING;INSERT:PHILIPS REC.;SURFACE:BLACK/ZINC		SCREW FOR OUTPUT & POWER TRAFO
36	4.0000	PC	F88-50220-30297		SCREW;M5mm*22mm;HEAD:PAN;INSERT:PHILIPS REC.;SURFACE:BLACK/ZINC		Screw for rubber foot
37	8.0000	PC	F88-50220-60293		SCREW;M5mm*22mm;HEAD:OVAL;INSERT:PHILIPS REC.;SURFACE:SILVER/CHROME		
38	1.0000	PC	F90-00000-00540		METAL SHIELD;P0739-SHIELD_SHEET-REVA;MATERIAL:ALUMINIUM		
39	1.0000	PC	F90-00000-00767		METAL SHIELD;P0739-SHIELD_SHEET2-REVA;MATERIAL:ALUMINIUM		
40	1.0000	PC	F91-02030-05793		SILICA GEL;MASS;30g;SPEC.NO:30QB-BB2001-4		
41	12.0000	PC	F93-00000-00542		SPRING;0.7 MM;23.5 MM;7.5 MM;NICKEL;SV;P0739-TUBE_SPRING		
42	4.0000	PC	F93-00300-11494		SPRING;3MM39*32MM*0MM6;PITCH:1MM;W/LUGS 6MM4;CARBON		

	Quantity	Unit	Item	Rev	Description	Reference Designators	Notes
					STEEL;CHROMATED;DST.NO:003;DPT.NO:11494;(AC108-TUBE-HOLDER-SPRING-REVC.DWG)		
43	0.0600	M	F95-05200-16898		SHRINKING TUBE;INNER DIA:5mm2;SPEC.NO:16898;		
44	7.0000	PC	F96-00000-00836		WASHER;9.7 MM;16 MM;NICKEL;WHITE;WASHER;FLAT;DIM:9.7*16*0.5mm;NIC		WASHER FOR PHONE JACK
45	4.0000	PC	F96-00000-26271		WASHER;5.5 MM;16 MM;CHROME;SILVER		
46	2.0000	PC	F96-10300-60050		WASHER;PLAIN;INNER DIA:3mm;OUTER DIA:6mm;THICKNESS;0mm5	[P0739:03: {2.0}]	
47	8.0000	PC	F96-10400-80085		WASHER;PLAIN;INNER DIA:4mm;OUTER DIA:8mm;THICKNESS:0mm8;PLATING;NICKEL		
48	4.0000	PC	F96-10400-80105		WASHER;PLAIN;INNER DIA:4mm;OUTER DIA:8mm;THICKNESS:1mm;PLATING;NICKEL		
49	6.0000	PC	F96-10941-30055		WASHER;PLAIN;INNER DIA:9mm4;OUTER DIA:13mm;THICKNESS;0mm5;PLATING;NICKEL		
50	4.0000	PC	F96-20400-70170		WASHER;SPRING;INNER DIA:4mm;OUTER DIA:7mm;THICKNESS;1mm7		SPRING WASHER FOR ALL 3-TRAFO
51	8.0000	PC	F96-20500-80173		WASHER;SPRING;INNER DIA:5mm;OUTER DIA:8mm;THICKNESS;1mm7;PLATING:CR(III)		
52	2.0000	PC	F96-40300-60050		WASHER;EXTERNAL TEETH;INNER DIA:3mm;OUTER DIA:6mm;THICKNESS:0mm5	[P0739:03: {2.0}]	
53	4.0000	PC	F96-40400-70170		WASHER;EXTERNAL TEETH;INNER DIA:4mm;OUTER DIA:7mm;THICKNESS;1mm7		EXT-TEETH WASHER FOR GROUND, EXT WASHER FOR GROUND
54	8.0000	PC	F96-40531-00130		WASHER;EXTERNAL TEETH;INNER DIA:5mm3;OUTER DIA:10mm;THICKNESS;1mm3		EXT WASHER FOR OUTPUT & POWER TRAFO
55	4.0000	PC	F96-50551-60267		WASHER;DONUT;INNER DIA:5mm5;OUTER DIA:16mm;THICKNESS;2mm6;PLATING;BLACK/ZINC		
56	2.0000	PC	F97-00000-07160		CARTON SHEET;P0739;PAPERBOARD1		
57	2.0000	PC	F97-00000-17097		PAPERBOARD;P0739-PAPERBOARD_SUPPORT1		
58	1.0000	PC	F97-00000-17098		PAPERBOARD;P0739-PAPERBOARD_SUPPORT2		
59	1.0000	PC	F97-00000-17099		PAPERBOARD;P0739-PAPERBOARD_SUPPORT3		
60	6.0000	PC	F97-00000-42044		INSULATION SHEET;GREY;P0739-TUBE_INSULATOR-REVA		
61	2.0000	PC	F97-00200-14914		PAPERBOARD B;P0405;DST.NO:002;DPT.NO:14914;(P0405-PAPERBOARD_B-REVB.DWG)		

## Ic

	Quantity	Unit	Item	Rev	Description	Reference Designators	Notes
1	2.0000	PC	C60-00000-33663		IC;AD/DA;MSOP;DAC084S085	[P0739:03: {2.0}{IC1-IC2}]	
2	3.0000	PC	C73-31007-40514		IC;OPAMP OPAMP;TL074;SOP;BRAND:ST ONLY	[P0739:03: {3.0}{U1-U3}]	
3	1.0000	PC	C73-58007-40114		IC;OPAMP OPAMP;TL074;DIP	[P0739:01: {1.0}{IC6}]	
4	1.0000	PC	C73-59458-00408		IC;OPAMP OPAMP;NJM4580L;SIP	[P0739:08: {1.0}{IC7}]	
5	1.0000	PC	C77-00000-28276		IC;VOLT.REGULATOR;TO220;LM7905L	[P0739:03: {1.0}{U4}]	
6	1.0000	PC	C77-15107-03110		IC;VOLT.REGULATOR;7815F;FULLPACK;TO220	[P0739:04: {1.0}{IC1}]	
7	1.0000	PC	C77-15207-03110		IC;VOLT.REGULATOR;7915F;FULLPACK;TO220	[P0739:04: {1.0}{IC2}]	
8	1.0000	PC	D24-18081-61832		IC;MICROCONTROLLER;ATMEGA8A-AU;SMD;TQFP32	[P0739:03: {1.0}{IC3}]	

## Led

	Quantity	Unit	Item	Rev	Description	Reference Designators	Notes
1	1.0000	PC	E10-00000-04901		LED HIB;3mm0 ROUND;AMBER;BULK;W/RING	[P0739:02: {1.0}{LD1}]	
2	4.0000	PC	E10-59585-00593		LED HIB;3mm ROUND;YELLOW;NO BOTTOM RING	[P0739:01: {4.0}{LD2-LD3, LD5-LD6}]	
3	6.0000	PC	E12-57630-00590		LED;3mm ROUND;RD	[P0739:09: {6.0}{LED1-LED6}]	
4	1.0000	PC	E13-00000-35105		LED;3mm0 ROUND;RED-AMBER;BULK;HIGH BRIGHT; MIST WITH CATHODE; W/ RING;120/250mcd	[P0739:02: {1.0}{LD11}]	

## Manual

	Quantity	Unit	Item	Rev	Description	Reference Designators	Notes
1	1.0000	PC	A56-00000-69282		SERVICE INFORMATION SHEET;P0000;EN;REV:003		
2	1.0000	PC	A57-00003-12001		PRODUCT LEAFLET;FOR 2008 FULL LINE CATALOG		ECR- 20080701173115
3	1.0000	PC	A52-00000-42338		WARRANTY CARD;P0000;EN;REV:001		(AR)
4	1.0000	PC	A54-00000-42704		QUICK START GUIDE;P0739;WW;QSG;REV:003		(EU, UL, UK, SAA, BR, AR)
5	1.0000	PC	A52-00000-40142		WARRANTY CARD;P0000;JA;DATE:01.07.2011;REVD		(JP, HL, SH)
6	1.0000	PC	A54-00000-42706		QUICK START GUIDE;P0739;JA;QSG;REV:003		(JP, HL, SH)

## Metal Part

	Quantity	Unit	Item	Rev	Description	Reference Designators	Notes
1	1.0000	PC	A62-00000-00114		METAL;P0739;SECC 1.2mm;PANEL;BENDING + STAMPING;COATING POWDER;BLACK;P0739-REAR_PANEL-REVB		REAR METAL PANEL
2	1.0000	PC	A65-00100-12107		METAL;GRILL;P0739;DST.NO:001;DPT.NO:12107;(P0739-GRILL-REVA.DWG)		
3	1.0000	PC	A65-00100-12108		METAL;MESH BRACKET;P0739;DST.NO:001;DPT.NO:12108;(P0739-MESH_BRACKET-REVA.DWG)		BRACKET FOR METAL GRILL
4	12.0000	PC	A65-00100-12275		METAL;SPRING HOLDER;P0739;DST.NO:001;DPT.NO:12275;(P0739-SPRING HOLDER-REVA.DWG)		TUBE SPRING HOLDER
5	6.0000	PC	A65-00100-12276		METAL;TUBE CAP;P0739;DST.NO:001;DPT.NO:12276;(P0739-TUBE_CAP-REVA.DWG)		TUBE CAP
6	2.0000	PC	A65-00300-09238		PLATE;TUBE HOLDER;AC108;DST.NO:003;DPT.NO:09238;(AC108-TUBE-HOLDER-PLATE-REVC.DWG)		
7	1.0000	PC	A65-00300-10338		METAL;STRIP;I00226P;DST.NO:003;DPT.NO:10338;(I00226P-METAL_STRIP-REVC.dwf)		
8	6.0000	PC	A65-02600-21438		METAL;CORNER;BX300/BX600/KX1200;NICKEL PLATING;DWG.NO:21438;(R20-GX112-CORNER-REVC.DWG)		Met corner
9	1.0000	PC	J02-00000-27332		METAL;P0739;UPPER_FRONT_PANEL;B006		
10	1.0000	PC	J02-00000-52646		METAL;P0739;P0739-LOWER_PANEL-REVH		
11	1.0000	PC	J05-00000-26932		METAL;P0739;ALUMINUM_PANEL;B003		MET-I00226P/STRIP/NPR

## Packaging Part

	Quantity	Unit	Item	Rev	Description	Reference Designators	Notes
1	2.0000	PC	G25-00000-07153		POLYFOAM;P0739;EPE_BOTTOM		
2	1.0000	PC	G25-00000-07155		POLYFOAM;P0739;EPE_TOP_LEFT		
3	1.0000	PC	G25-00000-07157		POLYFOAM;P0739;EPE_TOP_RIGHT		
4	1.0000	PC	G28-00000-68167		PE BAG;P0000;P0806-PO_BAG;SIZE:25inx42in;W/WARNING		
5	1.0000	PC	G28-20090-14010		PE BAG;SIZE:9in*14in;W/WARNING		
6	1.0000	PC	G33-00000-47169		EXPANDED PE;P0739;P0739-EPE_TOP_MID		
7	1.0000	PC	G33-00000-47175		EXPANDED PE;P0739;P0739-EPE_BOT_MID		
8	1.0000	PC	I40-00000-41018		MASTER CARTON;P0739;A001		



## Plastic Part

	Quantity	Unit	Item	Rev	Description	Reference Designators	Notes
1	4.0000	PC	G51-00200-02403		RUBBER FOOT;BLACK;SIZE:37MM5*15MM;COLOR:BLK;DST.NO:002;DPT.NO:02403;(RUBFOOT_WASHER-15MM-REVB.DWG);SIZE:37mm5*15mm		Rubber foot
2	5.0000	PC	G52-00000-00533		PLASTIC;P0739;ABS;KNOB;MOULDING;GLOSS HIGH;BLACK;P0739-NEW KNOB FOR SCREW VR		
3	1.0000	PC	G52-00000-00534		PLASTIC;P0739;ABS;KNOB;MOULDING;GLOSS HIGH;BLACK;P0739-NEW KONB FOR SCREW SWITCH VR		
4	2.0000	PC	G52-00400-05276		KNOB;SWITCH 1;MINI-SERIES;DST.NO:004;DPT.NO:05276;(I00040P-SWITCH_BUTTON1-REVD.DWG)		
5	1.0000	PC	G53-26000-22762		FUSE HOLDER;TYPE:FH-B13HA;250V/10A;SPEC:22762	[P0739:06: {1.0}{F17}]	
6	2.0000	PC	G53-40900-05211		LEATHER;HANDLE;P0738;BLACK LEATHER+SILVER METAL		
7	1.0000	PC	G58-00000-28098		PLASTIC;P0739;PC (Polycarbonate) UL94-V0;SHEET;CUTTING (BLANKING);NATURAL;TRANSPARENT;P0739-PC_SHEET-REVB		
8	1.0000	PC	G58-00000-46826		PLASTIC;P0739;PC (Polycarbonate) UL94-V0;SHEET;Die Cutting;NATURAL;TRANSPARENT;P0739-PC_SHEET2-REVA		
9	1.0000	PC	G58-00100-10114		PLASTIC;CABLE CLIP;NYLON 66;MAX CABLE DIA:6MM5;SHAPE:9;DST.NO:001;DPT.NO:10114;(P0385-CABLE_CLIP_UC2-REVA.DWG)		
10	1.0000	PC	G58-00100-12277		PLASTIC;SPEAKER;PVC;LENGTH:860MM;THICKNESS:1MM3;W/ SILVER ROPE;EFFECTIVE WIDTH:8MM2;BEAD RADIUS:2MM13;DST.NO:001;DPT.NO:12277;(P0739-SPEAKER_STRIP-REVA.DWG)		
11	1.0000	PC	G58-00200-11688		PLASTIC;SPACER;MOULDING;BLACK;NO:5;DST.NO:002;DPT.NO:11688;(LED-SPACER21-REVB.DWG)	[P0739:02: {1.0}]	
12	1.0000	PC	G58-00200-11704		PLASTIC;SPACER LED REC;I00355P;DST.NO:002;DPT.NO:11704;(I00355P-SPACER_LED_REC-REVB.DWG)	[P0739:01: {1.0}]	
13	1.0000	PC	G58-00200-13988		PLASTIC;BUGERA LOGO;I00315P;WHITE CHROME;DST.NO:002;DPT.NO:13988;(I00315P-BUGERA_LOGO-REVB.DWG)		
14	1.0000	PC	G58-00300-10875		PLASTIC;LED SPACER;I00354P;DST.NO:003;DPT.NO:10875;(I00354P-LED_SPACER-REVC.DWG)	[P0739:02: {1.0}]	
15	2.0000	PC	G58-00400-07922		PLASTIC;GUIDE;P0370;ABS PA757;BLACK;DST.NO:004;DPT.NO:7922;(BXL450A-SWITCH_GUIDE-REVD.DWG)		
16	6.0000	PC	G58-00400-11804		PLASTIC;LED SPACER;P0107;MOULDING;BLACK;PC-385;DST.NO:004;DPT.NO:11804;(VAMP-LED-SPACER-REVD.DWG)	[P0739:09: {6.0}]	

	Quantity	Unit	Item	Rev	Description	Reference Designators	Notes
17	1.0000	PC	G58-00500-11675		LED CAP;2CAVITIES;3mm LED;BLACK;DST.NO:005;DPT.NO:11675;(R20-PRO- 2HOLELEDHOLDER-REVE.DWG)	[P0739:01: {1.0}]	

## Plug Socket

	Quantity	Unit	Item	Rev	Description	Reference Designators	Notes
1	1.0000	PC	G61-65208-03288		BOX HEADER;POLES:08;2 ROW;STRAIGHT;PITCH:2mm54;SCM-08S	[P0739:05: {1.0}{X52}]	
2	2.0000	PC	G64-14152-03710		PLUG;PCB;PLUG;JACK PHONE;STRAIGHTPCB LUGS;MONO 6mm3;DUAL TIP/NO RING CONTACTS;NO NUT/WASHER;METAL BUSHING;(CHUNSHENG PJ-622HA-EP)	[P0739:08: {2.0}{X25-X26}]	
3	5.0000	PC	G64-16212-00005		PLUG;PCB;PLUG;JACK STEREO 6mm3;STRAIGHTPCB LUGS;NO NUT/WASHER;METAL BUSHING;(CHUNSHENG PJ-632HA)	[P0739:01: {2.0}{X21-X22}] <b>[P0739:08: {3.0}{X27-X29}]</b>	CUTOFF: IDENTIFIED FROM X-JACKRADIAL/CS/01/N
4	1.0000	PC	G67-30103-01969		SOCKET;AC;PCB MOUNT;COLOR:BLACK;POLES:03;(SS-7B-1-T7NUT2)	[P0739:06: {1.0}{X33}]	
5	6.0000	PC	G71-23102-04756		WAFER;POLES:2;STRAIGHT;PITCH:2 mm;1 ROW;TYPE:A2006WV-2P	[P0739:01: {2.0}{X60, X84}] <b>[P0739:03: {3.0}{X1-X2, X4}]</b>  [P0739:08: {1.0}{X68}]	
6	7.0000	PC	G71-23103-04757		WAFER;POLES:3;STRAIGHT;PITCH:2 mm;1 ROW;TYPE:A2006WV-3P	[P0739:01: {2.0}{X64, X69}] <b>[P0739:03: {1.0}{X10}]</b>  [P0739:04: {1.0}{X14}] <b>[P0739:08: {3.0}{X3-X5}]</b>	
7	2.0000	PC	G71-23103-04986		WAFER;POLES:3;STRAIGHT;PITCH:2 mm;1 ROW;A2006WV-03-S1;NO MIDDLE PIN	[P0739:04: {1.0}{X57}] <b>[P0739:05: {1.0}{X56}]</b>	
8	1.0000	PC	G71-23105-04998		WAFER;POLES:5;STRAIGHT;PITCH:2 mm;1 ROW;A2006WV-05-S1;W/O PIN2 AND PIN4	[P0739:05: {1.0}{X47}]	
9	5.0000	PC	G71-23106-04965		WAFER;POLES:6;STRAIGHT;PITCH:2 mm;1 ROW;TYPE:A2006WV-6P	[P0739:01: {1.0}{X66}] <b>[P0739:03: {2.0}{X3, X7}]</b>  [P0739:04: {2.0}{X12, X58}]	
10	4.0000	PC	G71-23107-04746		WAFER;POLES:7;STRAIGHT;PITCH:2 mm;1 ROW;TYPE:A2006WV-7P	[P0739:03: {2.0}{X6, X8}] <b>[P0739:05: {1.0}{X59}]</b>  [P0739:09: {1.0}{X1}]	
11	6.0000	PC	G71-27102-04450		WAFER;POLES:2;STRAIGHT;PITCH:3.96 mm;1 ROW;JS1120-03-S1;NO MIDDLE PIN	[P0739:01: {1.0}{X41}] <b>[P0739:04: {3.0}{X15, X17, X20}]</b>  [P0739:06: {2.0}{X42, X46}]	
12	4.0000	PC	G71-27102-04759		WAFER;POLES:2;STRAIGHT;PITCH:3.96 mm;1 ROW;JS1120-02	[P0739:01: {1.0}{X77}] <b>[P0739:05: {1.0}{X38}]</b>	

	Quantity	Unit	Item	Rev	Description	Reference Designators	Notes
						[P0739:06: {1.0}(X50)] <b>[P0739:08: {1.0}(X2)]</b>	
13	1.0000	PC	G71-27108-05063		WAFER;POLES:8;STRAIGHT;PITCH:3.96 mm;1 ROW;JS1120-08-S1;W/O PIN5, AND PIN7	[P0739:04: {1.0}(X19)]	
14	1.0000	PC	G71-27109-04765		WAFER;POLES:9;STRAIGHT;PITCH:3.96 mm;1 ROW;JS1120-09-S1;W/O PIN2,PIN4,PIN6 AND PIN8	[P0739:04: {1.0}(X18)]	
15	5.0000	PC	G73-18509-01113		SOCKET;TUBESOCKET9P;POLES:09;PLATING;VACUUM TUBE;12AX7;CERAMIC;COLOR:WHT;ZINC	[P0739:01: {2.0}(V10-V11)] <b>[P0739:07: {3.0}(V1-V3)]</b>	
16	6.0000	PC	G73-18509-01217		SOCKET;BOARD-IN;POLES:09;VACUUM TUBE;FOR 6L6GC;CERAMIC;COLOR:WHT;VERSION3;GZC8-Y-5	[P0739:05: {6.0}(V4-V9)]	CUTOFF: IDENTIFIED FROM MI-TUBESOCKET/GZC8-Y

### Power Supply

	Quantity	Unit	Item	Rev	Description	Reference Designators	Notes
1	1.0000	PC	J60-00000-15806		TRAFO:AUDIO I/O;P0739;COMMON;EIB3510N1(EAGLERISE)		
2	1.0000	PC	J65-00000-15807		TRAFO;EI POWER;P0739;EU 230 OR 240;FILAMENT;EU;EIB3453N1(EAGLERISE)		(EU, UK, SAA, AR)
3	1.0000	PC	J65-00000-15802		TRAFO;EI POWER;P0739;EU 230 OR 240;EU;EIB3509N1(EAGLERISE)		(EU, UK, SAA, AR)
4	1.0000	PC	J65-00000-15808		TRAFO;EI POWER;P0739;UL 120;FILAMENT;UL;EIB3598N1(EAGLERISE)		(UL, BR)
5	1.0000	PC	J65-00000-15809		TRAFO;EI POWER;P0739;UL 120;FILAMENT;JP;EIB3599N1(EAGLERISE)		(JP, HL, SH)
6	1.0000	PC	J65-00000-15805		TRAFO;EI POWER;P0739;JP 100;JP;EIB3597N1(EAGLERISE)		(JP, HL, SH)
7	1.0000	PC	J65-00000-15804		TRAFO;EI POWER;P0739;UL 120;UL;EIB3596N1(EAGLERISE)		(UL, BR)

## Raw Material

	Quantity	Unit	Item	Rev	Description	Reference Designators	Notes
1	8.0000	PC	E40-00000-21384		WELLOTAPE		
2	0.0300	KG	E41-00000-05356		GLUE;WAN SHI DE-YJLD01		
3	6.0000	G	E41-00000-86155		HOTMELT;HIGH TEMPATURE GLUE;8811A-TW		
4	7.0000	G	E41-60038-50449		HOTMELT;HEN-FENG;HS-38		
5	150.0000	G	E41-60103-33085		GLUE;WOODEN;SY103		
6	0.9300	G	E41-60116-04068		GLUE;SUN-DA;SILCONE;SW-116-A	[P0739:01: {0.4}] <b>[P0739:03: {0.13}]</b> [P0739:05: {0.4}]	
7	8.0000	G	E41-60268-50457		GLUE;SUNYES;820		
8	0.1300	KG	E41-60910-02812		GLUE;(GU-QIANG 910)		
9	0.0450	KG	E41-62007-39255		GLUE;KANG-DA;2007		

## Potentiometer

	Quantity	Unit	Item	Rev	Description	Reference Designators	Notes
1	2.0000	PC	I03-00000-01303		POTENTIOMETER;50 kohm;B;12 %;MONO;BULK;50-90gf;SHAFT:39.6MM	[P0739:01: {2.0}(VR3, VR5)]	
2	3.0000	PC	I03-00000-18918		POTENTIOMETER;1 Mohm;A;20 %;MONO;0.05W;TORQUE:50-90gf.cm;SHAFT:39.6mm	[P0739:01: {3.0}(VR1-VR2, VR4)]	

**Switch**

	Quantity	Unit	Item	Rev	Description	Reference Designators	Notes
1	1.0000	PC	I77-03422-02778		SWITCH;RADIAL;2P2T;PCB VERSION;LOCKING;NONSHORT;RAD2P	[P0739:01: {1.0}(SW1)]	
2	1.0000	PC	I77-03442-02780		SWITCH;RADIAL;4P2T;PCB VERSION;LOCKING;NONSHORT;RAD4P	[P0739:01: {1.0}(SW3)]	
3	1.0000	PC	I85-00000-01342		SWITCH;ROTARY;1;5;LOCKING;NONSHORT;10;1P5T;TAC TILE;W/PCB CONTACTS	[P0739:01: {1.0}(SW2)]	CUTOFF: IDENTIFIED FROM SW-RT- 1/5/LOCKING/*T
4	1.0000	PC	I86-00422-04157		SWITCH;SLIDE;2P2T;PCB VERSION;HORIZONTAL;LOCKING;NONSHORT;PBS-110- K2C21L	[P0739:08: {1.0}(SW4)]	
5	2.0000	PC	I84-02221-53052		SWITCH;ROCKER;2P1T;WHITE LINE MARKING VE;LOCKING;NONSHORT;AMP TABS;V- 0;6(6)A;125/250V;(CHILY3072-KGP24T1C01B02BKBKTV		(EU, UL, JP, UK, SAA, BR, AR, HL, SH)
6	2.0000	PC	I84-02221-53052		SWITCH;ROCKER;2P1T;WHITE LINE MARKING VE;LOCKING;NONSHORT;AMP TABS;V- 0;6(6)A;125/250V;(CHILY3072-KGP24T1C01B02BKBKTV		

**Transistor**

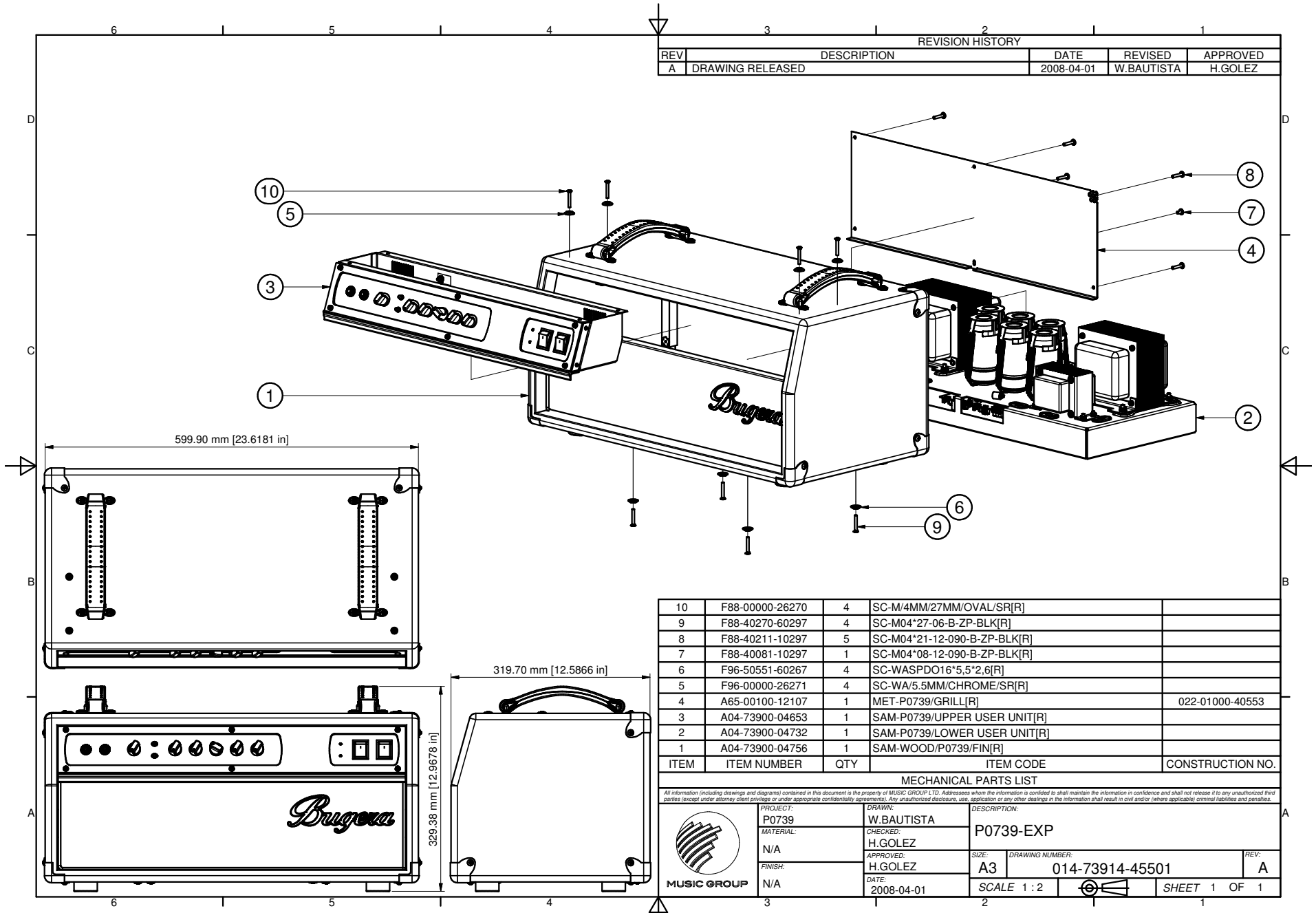
	Quantity	Unit	Item	Rev	Description	Reference Designators	Notes
1	1.0000	PC	J70-12555-10803		TRANSISTOR;2N5551;PITCH:2mm54;TO92;BENT LEAD;T/R	[P0739:01: {1.0}(T3)]	
2	2.0000	PC	J73-07000-60803		TRANSISTOR;MPSA06;TO92;P:2.54(BENT LEAD)	[P0739:06: {2.0}(T1-T2)]	
3	6.0000	PC	J73-08009-21703		TRANSISTOR;MBTA92;SOT	[P0739:03: {6.0}(T1-T6)]	
4	1.0000	PC	J73-16540-16603		TRANSISTOR;MMBT5401;SOT23	[P0739:03: {1.0}(Q1)]	

**Vacuum Tube**

	Quantity	Unit	Item	Rev	Description	Reference Designators	Notes
1	6.0000	PC	J83-66655-17108		TUBE;PENTODE;6550B;SHUGUANG		
2	1.0000	PC	J84-17012-17109		TUBE;DOUBLE TRIODE;12AX7A;SHUGUANG		
3	2.0000	PC	J84-70012-77109		TUBE;DOUBLE TRIODE;12AU7;SHUGUANG		
4	1.0000	PC	J84-76012-07109		TUBE;DOUBLE TRIODE;P0962;12AX7B;SHUGUANG;FST.NO:001		
5	1.0000	PC	J84-76012-97109		TUBE;DOUBLE TRIODE;P0963;12AX7C;SHUGUANG;FST.NO:001		

## Wooden Part

	Quantity	Unit	Item	Rev	Description	Reference Designators	Notes
1	2.0000	PC	B70-00000-07647		WOOD;P0739;MDF 18mm E1 GRADE;SUPPORT;BLACK;PAINTING NORMAL;P0739- UPPER_SUPPORT-REVA.DWG		
2	1.0000	PC	B70-00000-46828		WOOD;P0739;MDF 18mm E1 GRADE;SUPPORT;BLACK;PAINTING NORMAL;P0739- SUPPORT4-REVA		
3	1.0000	PC	B70-00000-46831		WOOD;P0739;MDF 18mm E1 GRADE;SUPPORT;BLACK;PAINTING NORMAL;P0739- SUPPORT2-REVB		WOOD SUPPORT 2
4	1.0000	PC	B70-00000-46832		WOOD;P0739;MDF 18mm E1 GRADE;SUPPORT;BLACK;PAINTING NORMAL;P0739- SUPPORT3-REVB		WOOD SUPPORT 3
5	1.0000	PC	B70-00000-46833		WOOD;P0739;MDF 18mm E1 GRADE;RIGHT;BLACK;PAINTING NORMAL;P0739- WOOD_SIDE_RIGHT-REVC		WOOD SIDE RIGHT
6	1.0000	PC	B70-00000-46834		WOOD;P0739;MDF 18mm E1 GRADE;LEFT;BLACK;PAINTING NORMAL;P0739- WOOD_SIDE_LEFT-REVC		WOOD SIDE LEFT
7	2.0000	PC	B70-00000-46835		WOOD;P0739;MDF 18mm E1 GRADE;SUPPORT;BLACK;PAINTING NORMAL;P0739- SUPPORT-REVB		WOOD SUPPORT
8	1.0000	PC	B70-00000-46836		WOOD;P0739;MDF 18mm E1 GRADE;FRONT;BLACK;PAINTING NORMAL;P0739- WOOD_FRONT-REVB		
9	1.0000	PC	B70-00100-12116		WOOD;BOTTOM;P0739;DST.NO:001;DPT.NO:12116;(P07 39-WOOD_BOTTOM-REVA.DWG)		WOOD BOTTOM
10	1.0000	PC	B70-00100-12118		WOOD;TOP;P0739;DST.NO:001;DPT.NO:12118;(P0739- WOOD_TOP-REVA.DWG)		WOOD TOP



REVISION HISTORY				
REV	DESCRIPTION	DATE	REVISED	APPROVED
A	DRAWING RELEASED	2008-04-01	W.BAUTISTA	H.GOLEZ

10	F88-00000-26270	4	SC-M/4MM/27MM/OVAL/SR[R]	
9	F88-40270-60297	4	SC-M04*27-06-B-ZP-BLK[R]	
8	F88-40211-10297	5	SC-M04*21-12-090-B-ZP-BLK[R]	
7	F88-40081-10297	1	SC-M04*08-12-090-B-ZP-BLK[R]	
6	F96-50551-60267	4	SC-WASPDO16*5,5*2,6[R]	
5	F96-00000-26271	4	SC-WA/5.5MM/CHROME/SR[R]	
4	A65-00100-12107	1	MET-P0739/GRILL[R]	022-01000-40553
3	A04-73900-04653	1	SAM-P0739/UPPER USER UNIT[R]	
2	A04-73900-04732	1	SAM-P0739/LOWER USER UNIT[R]	
1	A04-73900-04756	1	SAM-WOOD/P0739/FIN[R]	
ITEM	ITEM NUMBER	QTY	ITEM CODE	CONSTRUCTION NO.

MECHANICAL PARTS LIST

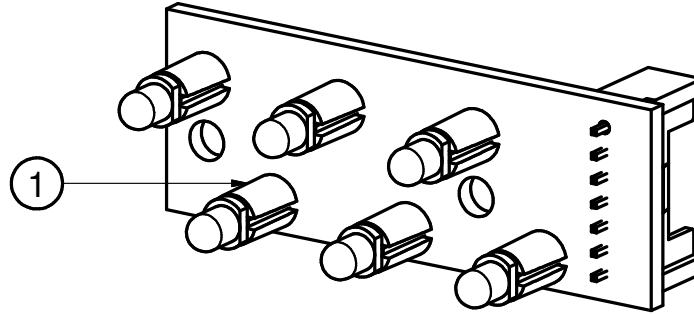
All information (including drawings and diagrams) contained in this document is the property of MUSIC GROUP LTD. Addressee when the information is confined to shall maintain the information in confidence and shall not release it to any unauthorized third parties (except under attorney client privilege or under appropriate confidentiality agreements). Any unauthorized disclosure, use, application or any other dealings in the information shall result in civil and/or (where applicable) criminal liabilities and penalties.

<p>MUSIC GROUP</p>	PROJECT: P0739	DRAWN: W.BAUTISTA	DESCRIPTION: P0739-EXP	
	MATERIAL: N/A	CHECKED: H.GOLEZ	SIZE: A3	DRAWING NUMBER: 014-73914-45501
	FINISH: N/A	APPROVED: H.GOLEZ	DATE: 2008-04-01	REV: A
			SCALE 1 : 2	SHEET 1 OF 1







REVISION HISTORY				
REV	DESCRIPTION	DATE	REVISED	APPROVED
A	DRAWING RELEASED	2010-12-22	N.CARDINAL	SHIRLEY.XIAO



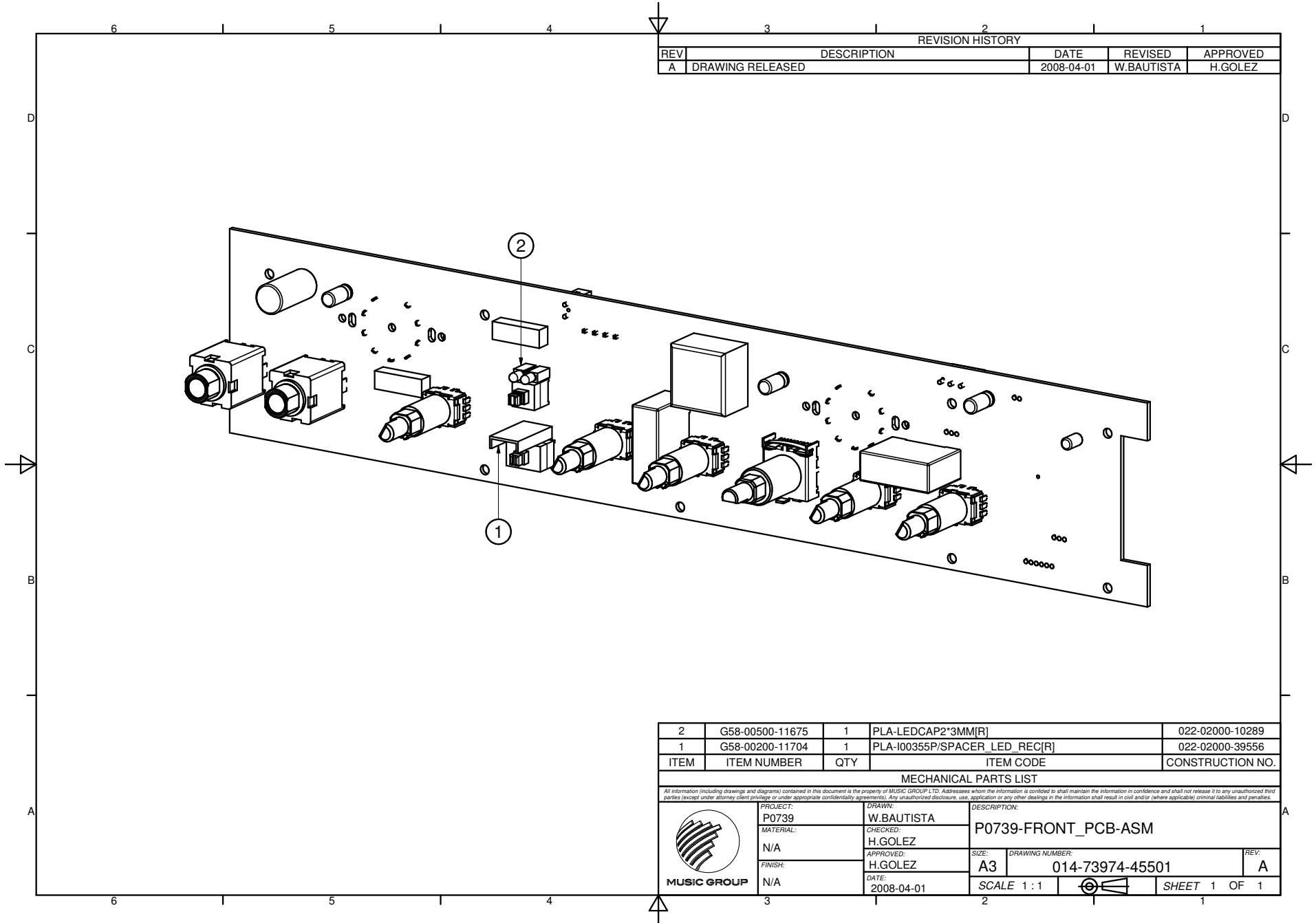
1	G58-00400-11804	6	PLA-LEDSPACERVAMP[R]	022-02000-15853
ITEM	ITEM NUMBER	QTY	ITEM CODE	CONSTRUCTION NO.

MECHANICAL PARTS LIST

All information (including drawings and diagrams) contained in this document is the property of MUSIC GROUP LTD. Addressees whom the information is confided to shall maintain the information in confidence and shall not release it to any unauthorized third parties (except under attorney client privilege or under appropriate confidentiality agreements). Any unauthorized disclosure, use, application or any other dealings in the information shall result in civil and/or (where applicable) criminal liabilities and penalties.

 <b>MUSIC GROUP</b>	PROJECT: P0739	DRAWN: N.CARDINAL	DESCRIPTION: P0739-PCB09-ASM		
	MATERIAL: N/A	CHECKED: HUA MING.YE			
	FINISH: N/A	APPROVED: SHIRLEY.XIAO	SIZE: A4	DRAWING NUMBER: 014-00000-27959	REV: A
		DATE: 2010-12-22	SCALE 2:1		SHEET 1 OF 1





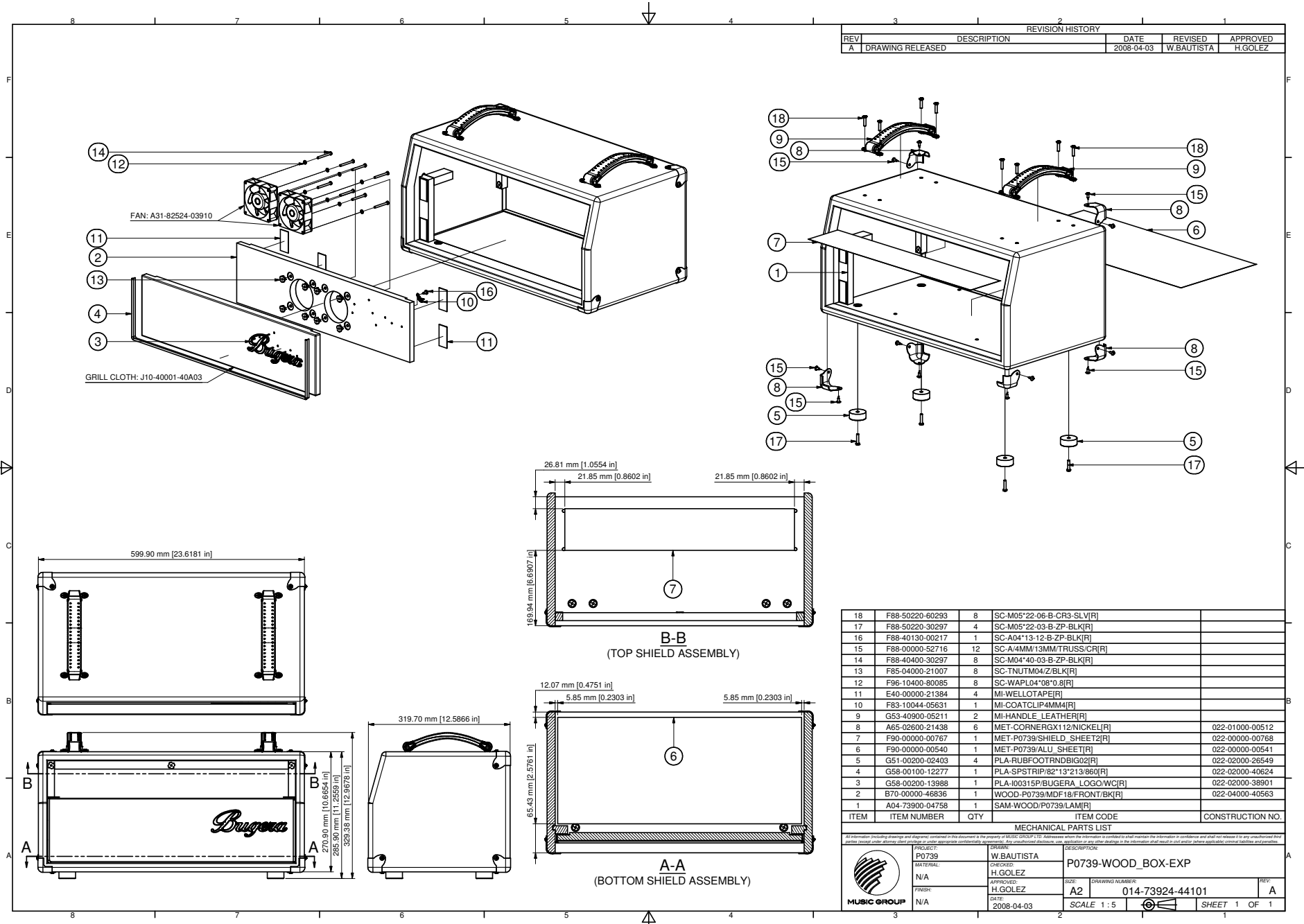
REVISION HISTORY				
REV	DESCRIPTION	DATE	REVISED	APPROVED
A	DRAWING RELEASED	2008-04-01	W.BAUTISTA	H.GOLEZ

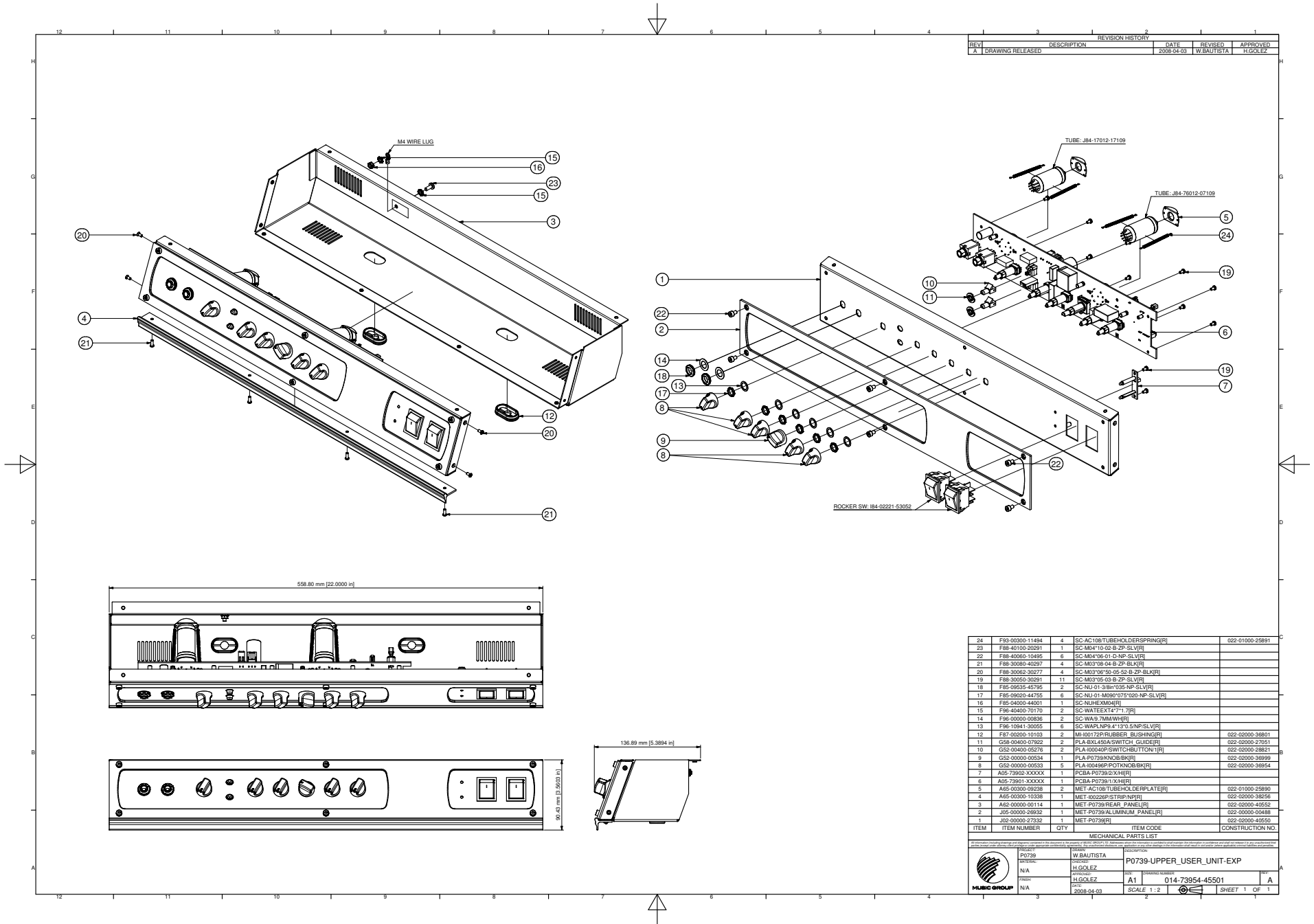
2	G58-00500-11675	1	PLA-LEDCAP2*3MM[R]	022-02000-10289
1	G58-00200-11704	1	PLA-I00355P/SPACER_LED_REC[R]	022-02000-39556
ITEM	ITEM NUMBER	QTY	ITEM CODE	CONSTRUCTION NO.

MECHANICAL PARTS LIST

All information (including drawings and diagrams) contained in this document is the property of MUSIC GROUP LTD. Addresses when the information is confined to shall maintain the information in confidence and shall not release it to any unauthorized third parties (except under attorney client privilege or under appropriate confidentiality agreements). Any unauthorized disclosure, use, application or any other dealings in the information shall result in civil and/or (where applicable) criminal liabilities and penalties.

	PROJECT:	P0739	DRAWN:	W.BAUTISTA	DESCRIPTION:	P0739-FRONT_PCB-ASM				
	MATERIAL:	N/A	CHECKED:	H.GOLEZ		SIZE:	A3	DRAWING NUMBER:	014-73974-45501	
	FINISH:	N/A	APPROVED:	H.GOLEZ		DATE:	2008-04-01	SCALE:	1 : 1	
									REV:	A
									SHEET	1 OF 1





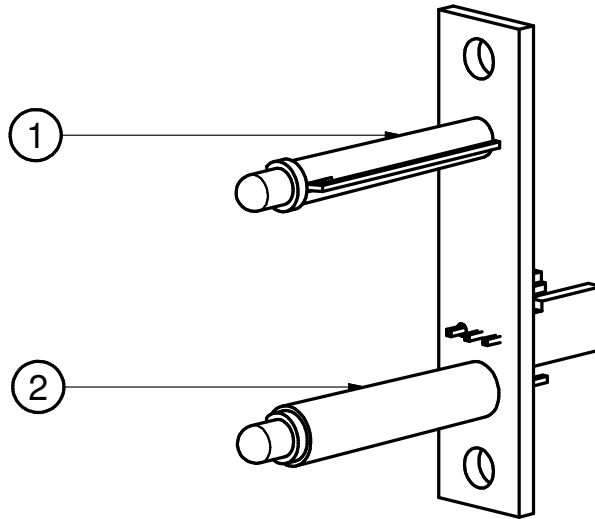
REVISION HISTORY				
REV	DESCRIPTION	DATE	REVISED BY	APPROVED BY
1	DRAWINGS RELEASED	2008-04-03	W.BALITISTA	M.GOLEZ

ITEM	ITEM NUMBER	QTY	ITEM CODE	CONSTRUCTION NO.
24	F93-00300-11494	4	SC AC 126/TUBE HOLDERS/SPRING[R]	022-01000-25891
23	F88-40100-20291	1	SC M4*10-02-B-ZP-SLVR[R]	
22	F88-40060-10495	6	SC M04*06-01-D-NP-SLVR[R]	
21	F88-30080-40297	4	SC M03*08-04-B-ZP-BLK[R]	
20	F88-30062-30277	4	SC M03*09-50-05-52-B-ZP-BLK[R]	
19	F88-30052-30291	11	SC M03*05-03-B-ZP-SLVR[R]	
18	F88-08535-45795	2	SC NU 01-3/8in*0.35-NP-SLVR[R]	
17	F88-08020-44755	6	SC NU 01-MM06*0.75*020-NP-SLVR[R]	
16	F88-04000-44001	1	SC ALUMINUM[R]	
15	F96-40400-70170	2	SC WATEEXT47*11.7[R]	
14	F96-00000-00836	2	SC WAS.7MM/WH[R]	
13	F96-10941-30055	6	SC WAPLNP9 4*13*0.5NP-SLVR[R]	
12	F87-00000-10103	2	MH-0012P/BBER. BUSHING[R]	022-02000-36801
11	G58-00400-07922	2	PLA 6X1.450A-SWITCH GUIDE[R]	022-02000-27051
10	G52-00400-05276	2	PLA-00040P-SWITCHBUTTON 1[R]	022-02000-28821
9	G52-00000-00524	1	PLA P0739/PINCH BK[R]	022-02000-38999
8	G52-00000-00523	5	PLA-00040P-POT/KNOB BK[R]	022-02000-38954
7	A05-73902-XXXXX	1	PCBA-P0739-2-X/H[R]	
6	A05-73901-XXXXX	1	PCBA-P0739-1-X/H[R]	
5	A65-00000-09298	2	MET AC 126/TUBE HOLDER/PLATE[R]	022-01000-25890
4	A65-00000-10338	1	MET-00020P-STRIP-NP[R]	022-02000-38256
3	A65-00000-00114	1	MET-P0739 REAR PANEL[R]	022-02000-40532
2	355-00000-26925	1	MET-P0739 ALUMINUM PANEL[R]	022-02000-00488
1	J02-00000-27332	1	MET-P0739[R]	022-02000-40550

MECHANICAL PARTS LIST			
REV	DESCRIPTION	DATE	APPROVED BY
1	P0739 UPPER USER UNIT-EXP	2008-04-03	M.GOLEZ
1	SCALE: 1:2		




REVISION HISTORY				
REV	DESCRIPTION	DATE	REVISED	APPROVED
A	DRAWING RELEASED	2008-04-03	W.BAUTISTA	H.GOLEZ



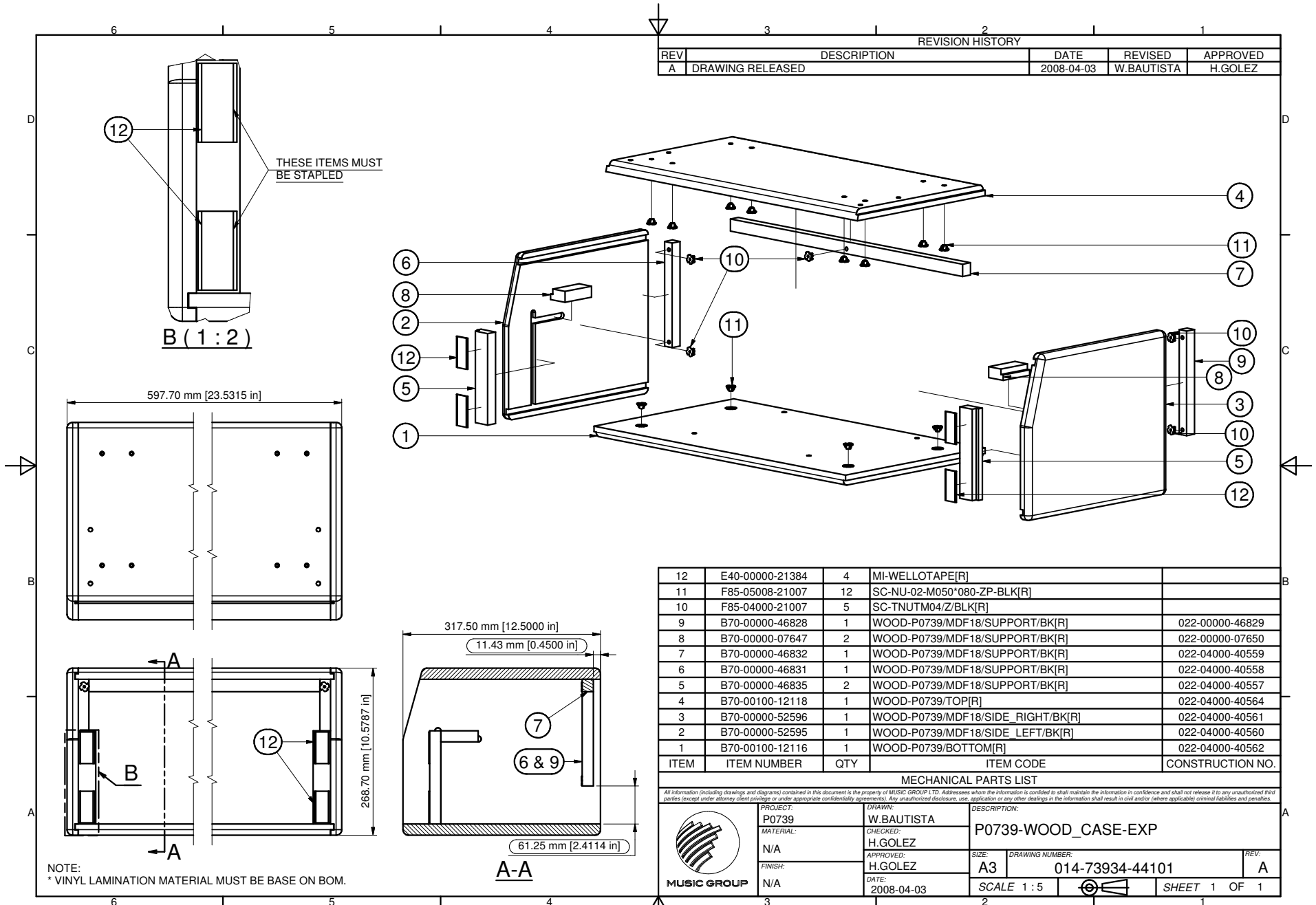
2	G58-00200-11688	1	PLA-LEDSPACER5[R]	022-02000-26449
1	G58-00300-10875	1	PLA-I00354P/LED_SPACER[R]	022-02000-39554
ITEM	ITEM NUMBER	QTY	ITEM CODE	CONSTRUCTION NO.

MECHANICAL PARTS LIST

All information (including drawings and diagrams) contained in this document is the property of MUSIC GROUP LTD. Addressees whom the information is confided to shall maintain the information in confidence and shall not release it to any unauthorized third parties (except under attorney client privilege or under appropriate confidentiality agreements). Any unauthorized disclosure, use, application or any other dealings in the information shall result in civil and/or (where applicable) criminal liabilities and penalties.

 <b>MUSIC GROUP</b>	PROJECT: P0739	DRAWN: W.BAUTISTA	DESCRIPTION: P0739-PCB_LED-ASM	
	MATERIAL: N/A	CHECKED: H.GOLEZ	SIZE: A4	DRAWING NUMBER: 014-73984-45501
	FINISH: N/A	APPROVED: H.GOLEZ	REV: A	
		DATE: 2008-04-03	SCALE 2:1	SHEET 1 OF 1





*Bugera*