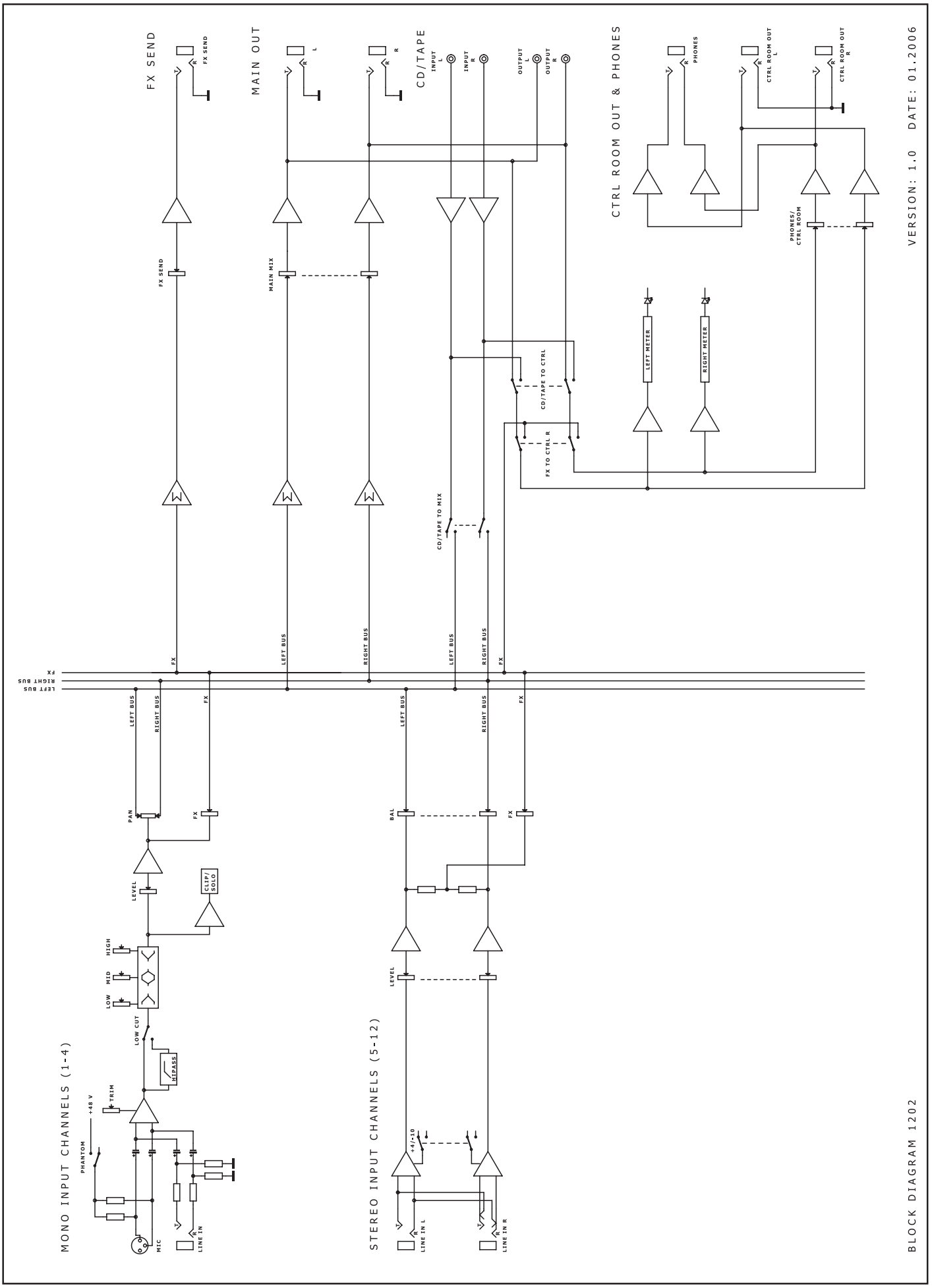
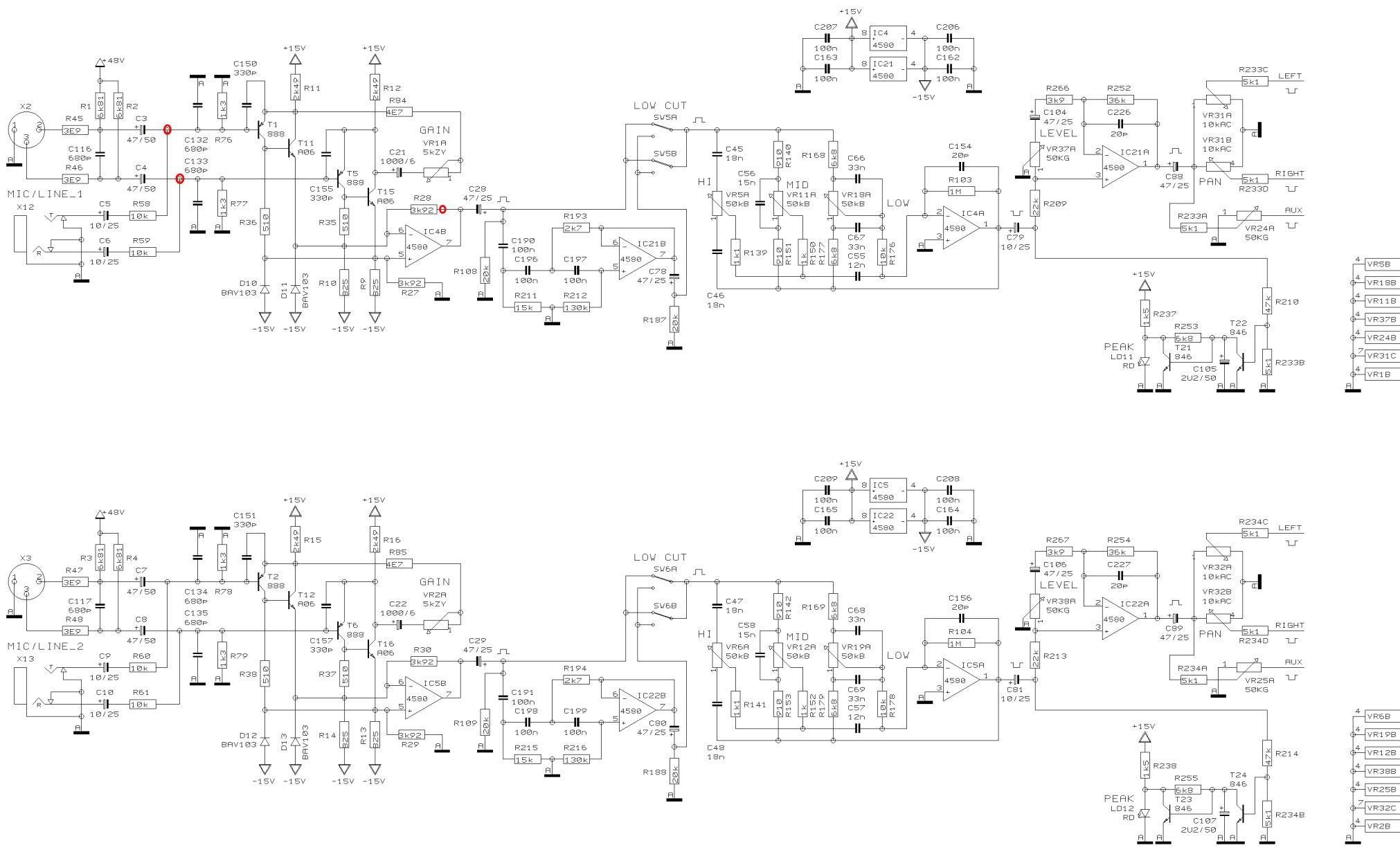


# Block Diagram of XENYX 1202





REVISIONS A (09/02/06)

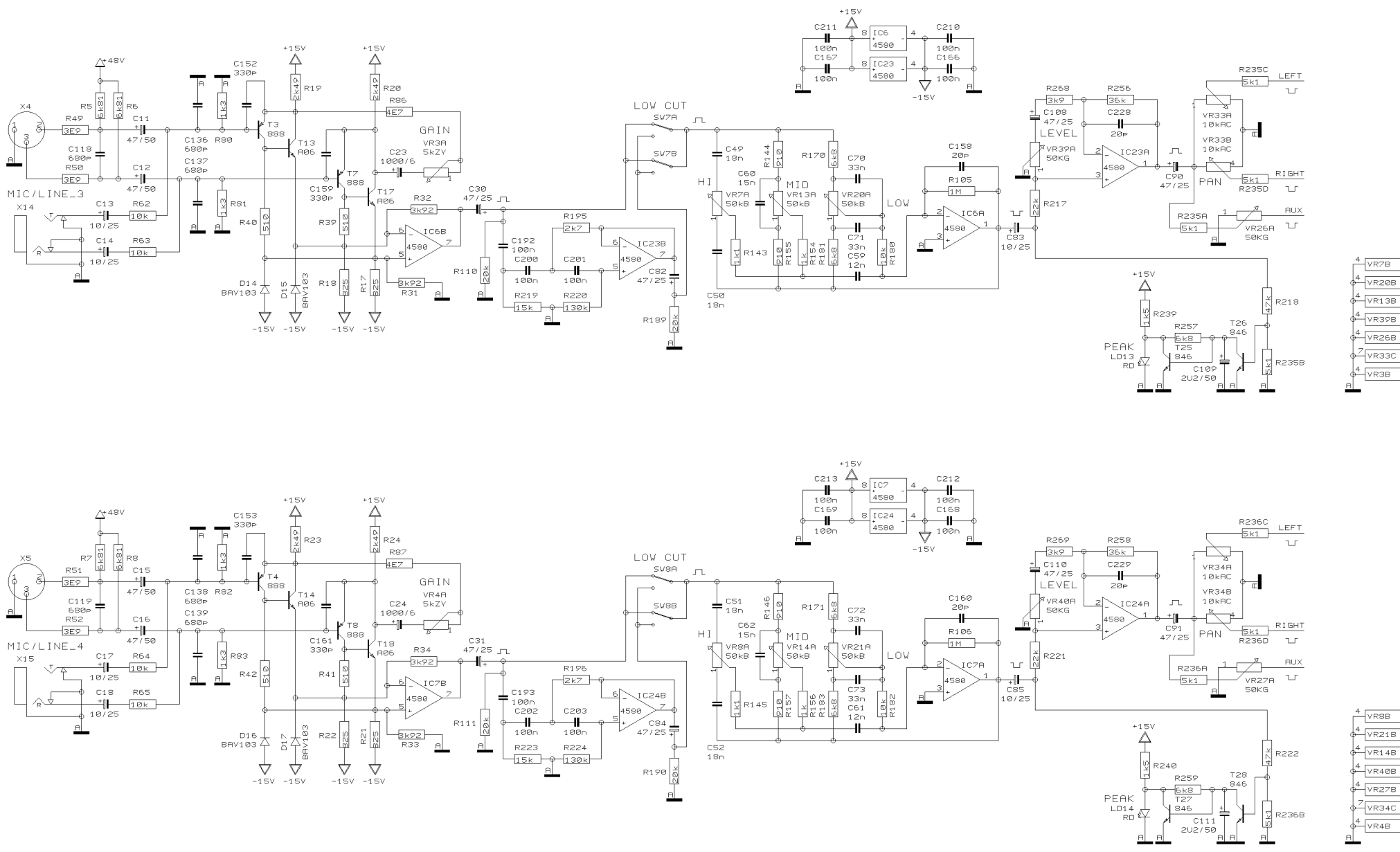
DRAWN BHK

CHECKED

DATE 14.02. 6  
15:16



PROJECT 1202  
XENYX 1202  
INPUT CH. 1/2  
SHEET 1 OF 4 SHEETS TOTAL



REVISIONS A

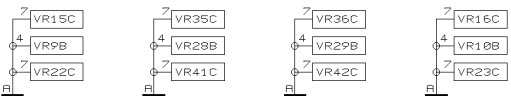
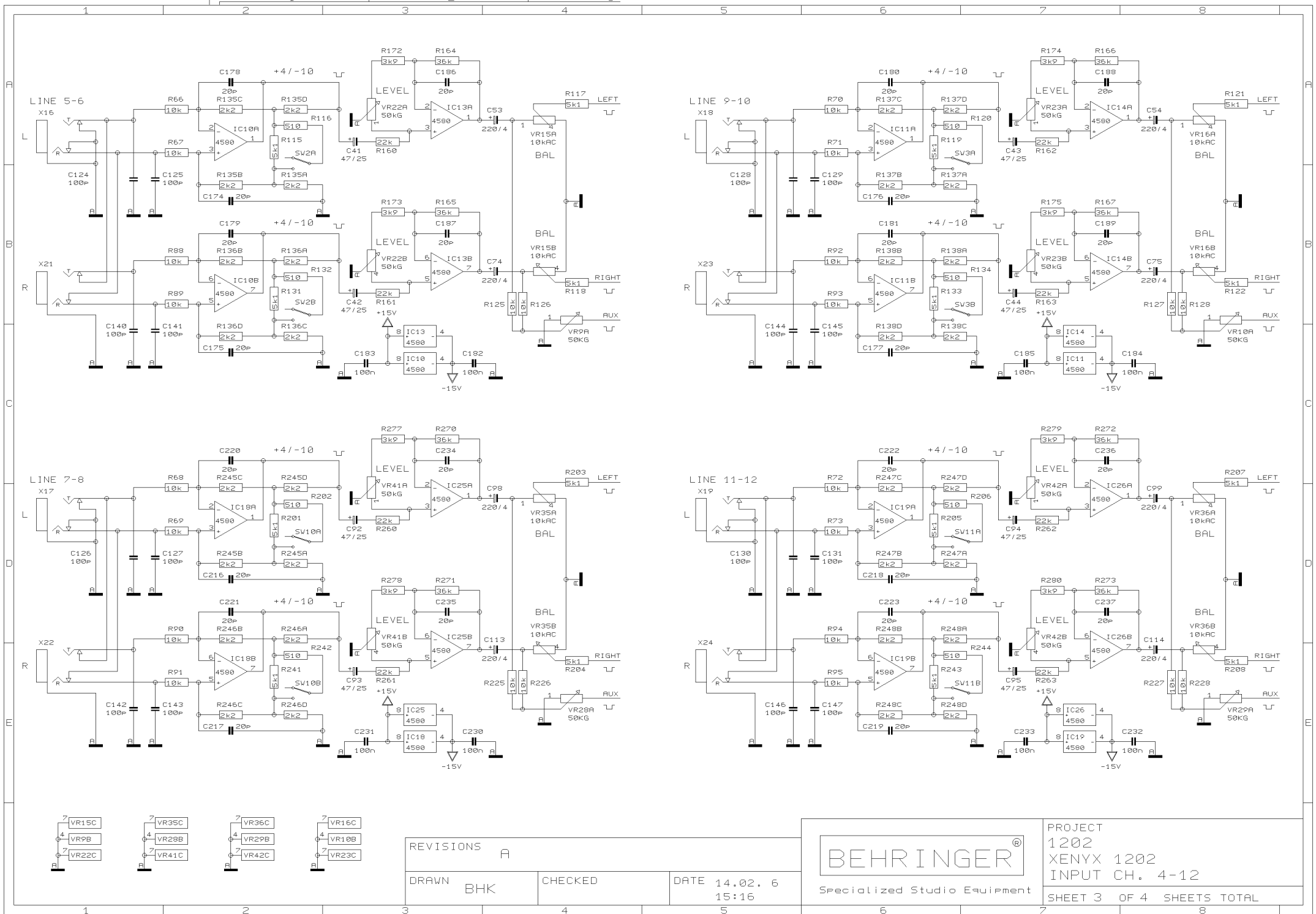
DRAWN BHK

CHECKED

DATE 14.02. 6  
15:16



PROJECT  
1202  
XENYX 1202  
INPUT CH. 3/4  
SHEET 2 OF 4 SHEETS TOTAL



REVISIONS A

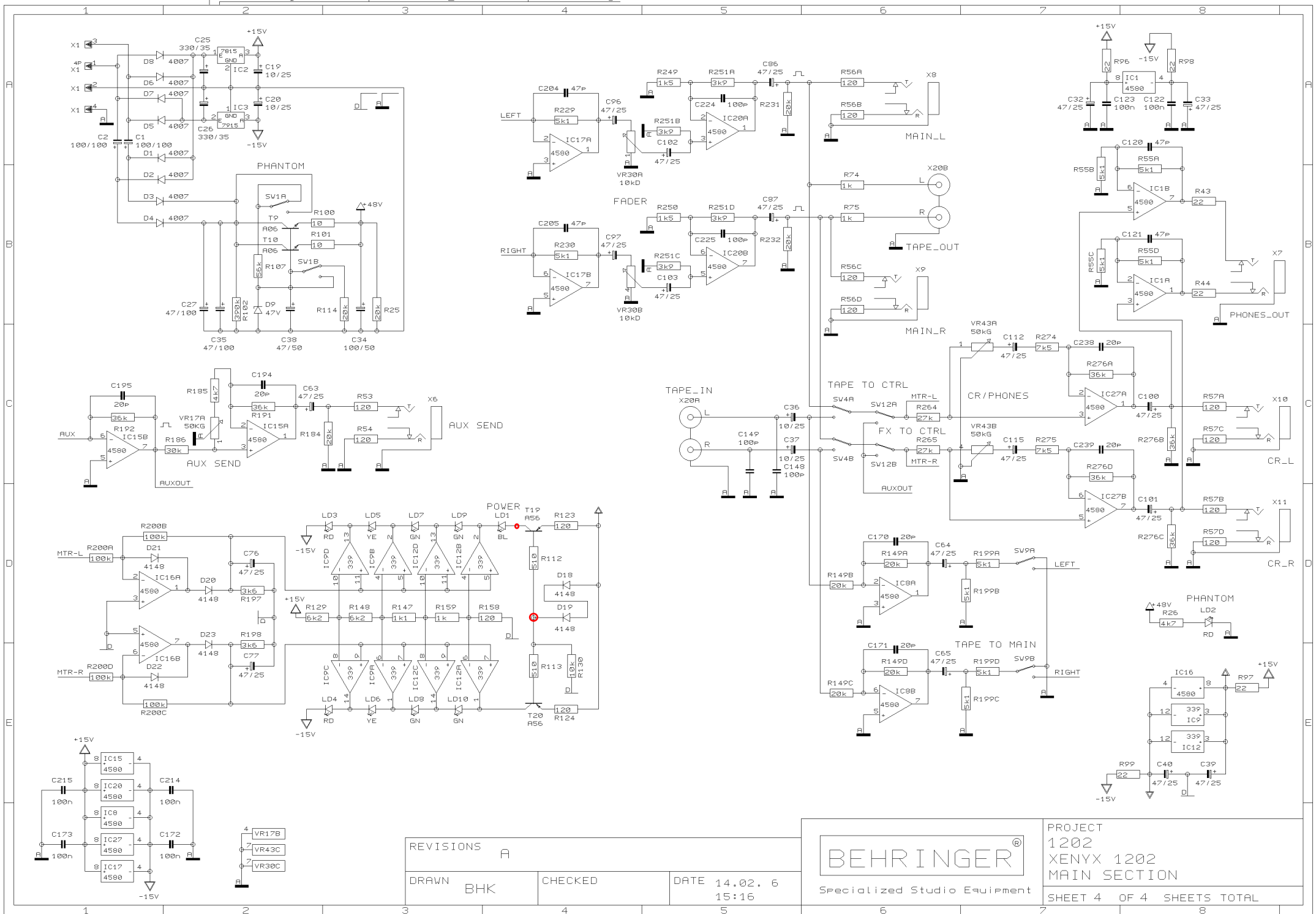
DRAWN BHK

CHECKED

DATE 14.02. 6  
15:16



PROJECT  
1202  
XENYX 1202  
INPUT CH. 4-12  
SHEET 3 OF 4 SHEETS TOTAL



REVISIONS A

DRAWN BHK

CHECKED

DATE 14.02. 6  
15:16



PROJECT  
1202  
XENYX 1202  
MAIN SECTION  
SHEET 4 OF 4 SHEETS TOTAL