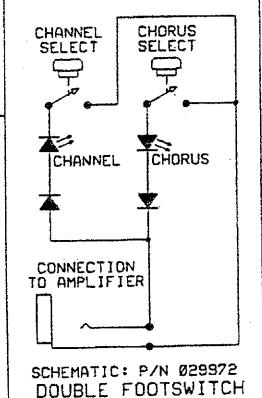
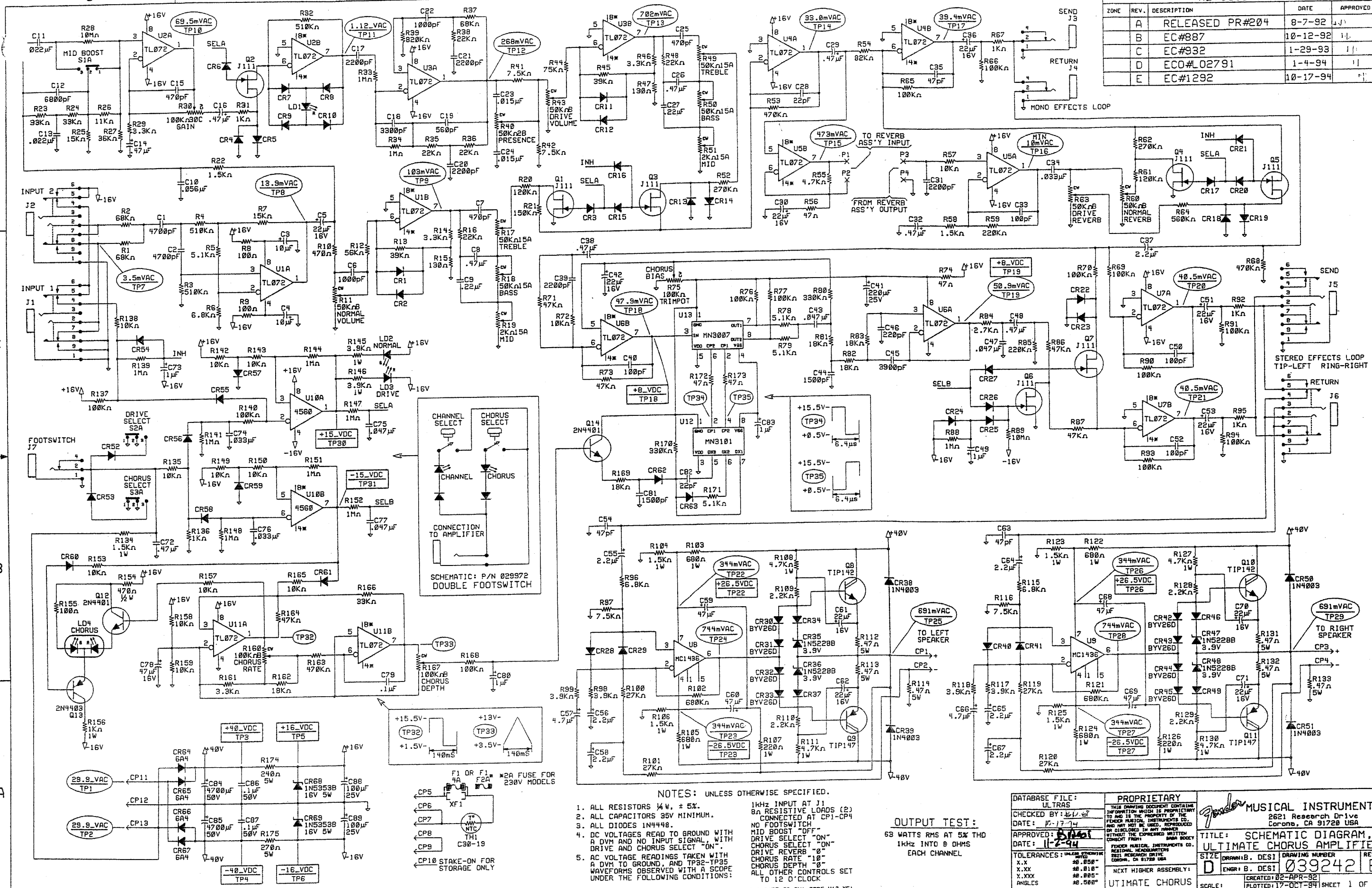


REVISIONS

ZONE	REV.	DESCRIPTION	DATE	APPROVED
A		RELEASED PR#204	8-7-92	J
B		EC#887	10-12-92	1
C		EC#932	1-29-93	1
D		ECO#L02791	1-4-94	1
E		EC#1292	10-17-94	1



NOTES: UNLESS OTHERWISE SPECIFIED.

- ALL RESISTORS 1/4W, ± 5%.
- ALL CAPACITORS 35V MINIMUM.
- ALL DIODES 1N4448.
- DC VOLTAGES READ TO GROUND WITH A DVM AND NO INPUT SIGNAL, WITH DRIVE SELECT "ON", CHORUS SELECT "ON", DRIVE REVERB "0", CHORUS RATE "10", CHORUS DEPTH "0". ALL OTHER CONTROLS SET TO 12 O'CLOCK.
- AC VOLTAGE READINGS TAKEN WITH A DVM TO GROUND, AND TP32-TP35 WAVEFORMS OBSERVED WITH A SCOPE UNDER THE FOLLOWING CONDITIONS:
1kHz INPUT AT J1
8Ω RESISTIVE LOADS (2) CONNECTED AT CP1-CP4
NO FOOTSWITCH
MID BOOST "OFF"
DRIVE SELECT "ON"
CHORUS SELECT "ON"
DRIVE REVERB "0"
CHORUS RATE "10"
CHORUS DEPTH "0"
ALL OTHER CONTROLS SET TO 12 O'CLOCK

OUTPUT TEST:

63 WATTS INTO 8 Ω THD
1kHz RMS @ 8 OHMS
EACH CHANNEL

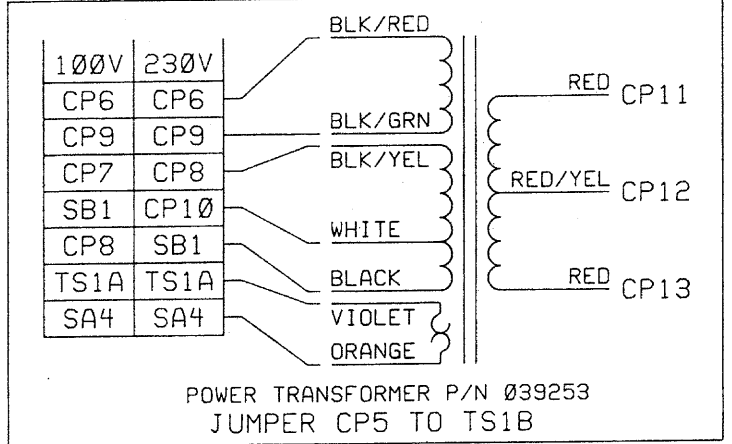
<p>DATABASE FILE: ULTRAS</p> <p>CHECKED BY: <i>[Signature]</i></p> <p>DATE: 10-17-94</p> <p>APPROVED: <i>[Signature]</i></p> <p>DATE: 11-2-94</p> <p>TOLERANCES: UNLESS OTHERWISE SPECIFIED: X.X ± 0.50% X.XX ± 0.10% X.XXX ± 0.05% ANGLES</p>	<p>PROPRIETARY</p> <p>THIS DRAWING DOCUMENT CONTAINS INFORMATION WHICH IS PROPRIETARY TO AND IS THE PROPERTY OF THE FENDER MUSICAL INSTRUMENTS CO. AND MAY NOT BE USED, REPRODUCED OR DISCLOSED IN ANY MANNER WITHOUT THE WRITTEN CONSENT FROM FENDER MUSICAL INSTRUMENTS CO.</p> <p>DESIGNED BY: B. DESI DRAWN BY: B. DESI CHECKED BY: B. DESI DATE: 10-17-94</p> <p>NEXT HIGHER ASSEMBLY: ULTIMATE CHORUS</p>	<p>MUSICAL INSTRUMENTS</p> <p>2621 Research Drive Corona, CA 91728 USA</p> <p>TITLE: SCHEMATIC DIAGRAM, ULTIMATE CHORUS AMPLIFIER</p> <p>SIZE: DRAWING: DES1 DRAWING NUMBER: 039242 E</p> <p>SCALE: 1:1</p> <p>CREATED: 02-APR-92 PLOTTED: 17-OCT-94</p> <p>SHEET 1 OF 1</p>
---	---	--

0039243000

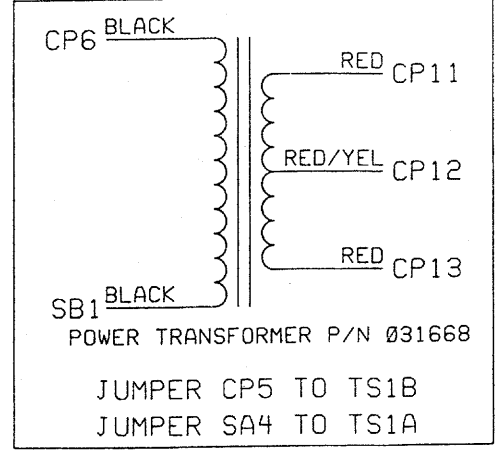
Last Instances: C88 CP14 CR69 F1 J7 LD4 P4 Q14 R175 S9 TH1 TP35 U13 XF1

REVISIONS				
ZONE	REV.	DESCRIPTION	DATE	APPROVED
	A	RELEASED PR#204	8-7-92	FD
	B	EC#1292	10-17-94	JD

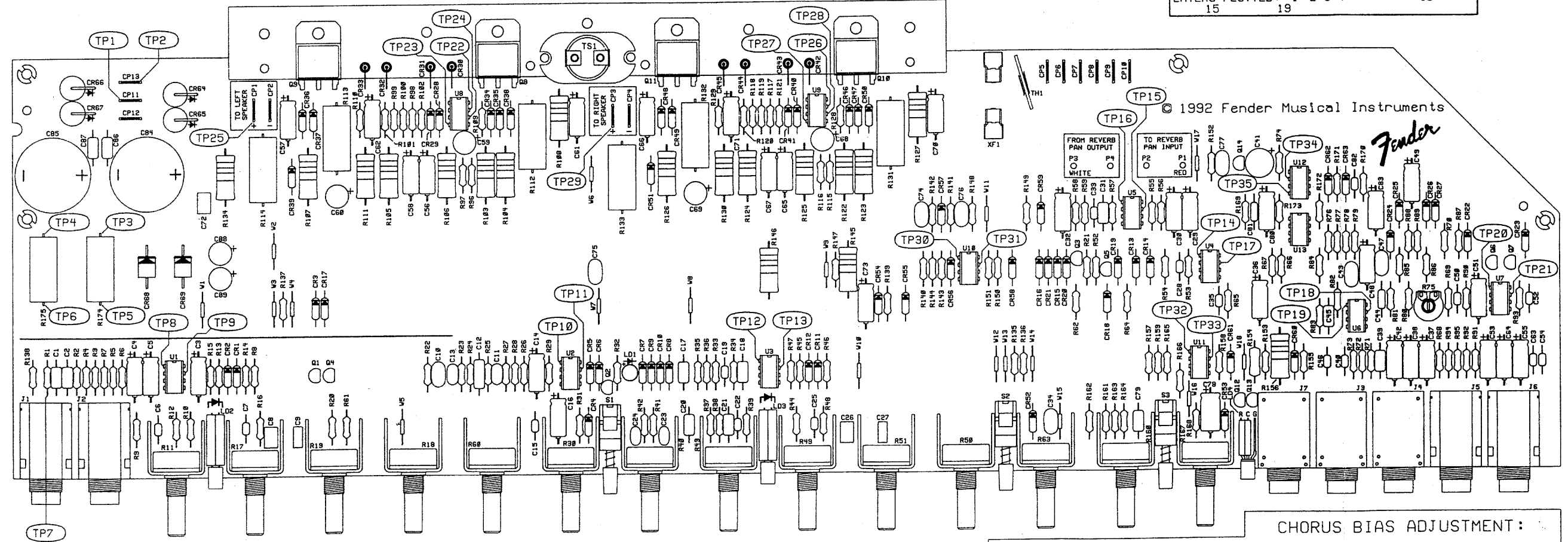
EXPORT MODELS



DOMESTIC MODEL

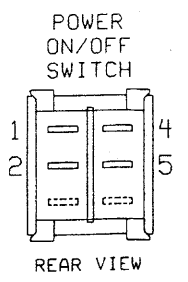
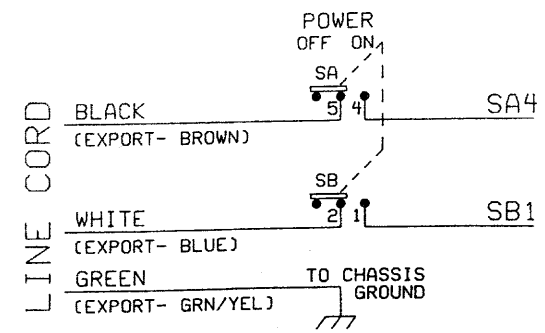


FILM/DWG: SERVICE DIAGRAM
DATABASE: ULTRASER DATE: 17-OCT-94
LAYERS PLOTTED: 1 2 3 4 10
15 19



CHORUS BIAS ADJUSTMENT:

WITH CHORUS SELECT ON, SET CHORUS RATE AND DEPTH CONTROLS FULLY CLOCKWISE. CONNECT A 1KHZ SINEWAVE AT ABOUT 1.5 VOLTS RMS TO THE MONO EFFECTS LOOP RETURN JACK (J4). ADJUST TRIMPOT R75 FOR SYMMETRICAL CLIPPING AT U6 PIN 1 (TP19).



DATABASE FILE: ULTRASER
CHECKED BY: *JD*
DATE: 10-17-14
APPROVED: *JD*
DATE: 11-2-94

TOLERANCES: UNLESS OTHERWISE NOTED
X.X ±0.050"
X.XX ±0.010"
X.XXX ±0.005"
ANGLES ±0.500°

PROPRIETARY
THIS DRAWING DOCUMENT CONTAINS INFORMATION WHICH IS PROPRIETARY TO AND IS THE PROPERTY OF THE FENDER MUSICAL INSTRUMENTS CO. AND MAY NOT BE USED, REPRODUCED OR DISCLOSED IN ANY MANNER WITHOUT THE EXPRESSED WRITTEN CONSENT FROM: ROCK ON...
FENDER MUSICAL INSTRUMENTS CO. REGIONAL HEADQUARTERS 2621 RESEARCH DRIVE CORONA, CA 91728 USA
NEXT HIGHER ASSEMBLY: ULTIMATE CHORUS

Fender MUSICAL INSTRUMENTS
2621 Research Drive
Corona, CA 91728 USA

TITLE: SERVICE DIAGRAM, ULTIMATE CHORUS AMPLIFIER

SIZE B	DRAWN: B. DESI	DRAWING NUMBER 039244	REV. B
ENGR: B. DESI	CREATED: 28-JUL-92		SHEET 1 OF 1
SCALE:		PLOTTED: 17-OCT-94	