



Service Manual

Created: 11 November 2015



XENYX X1222USB

Premium 16-Input 2/2-Bus Mixer with XENYX Mic Preamps & Compressors, British EQs, 24-Bit Multi-FX Processor and USB/Audio Interface

behringer.com

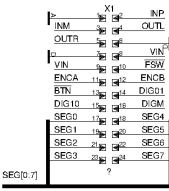
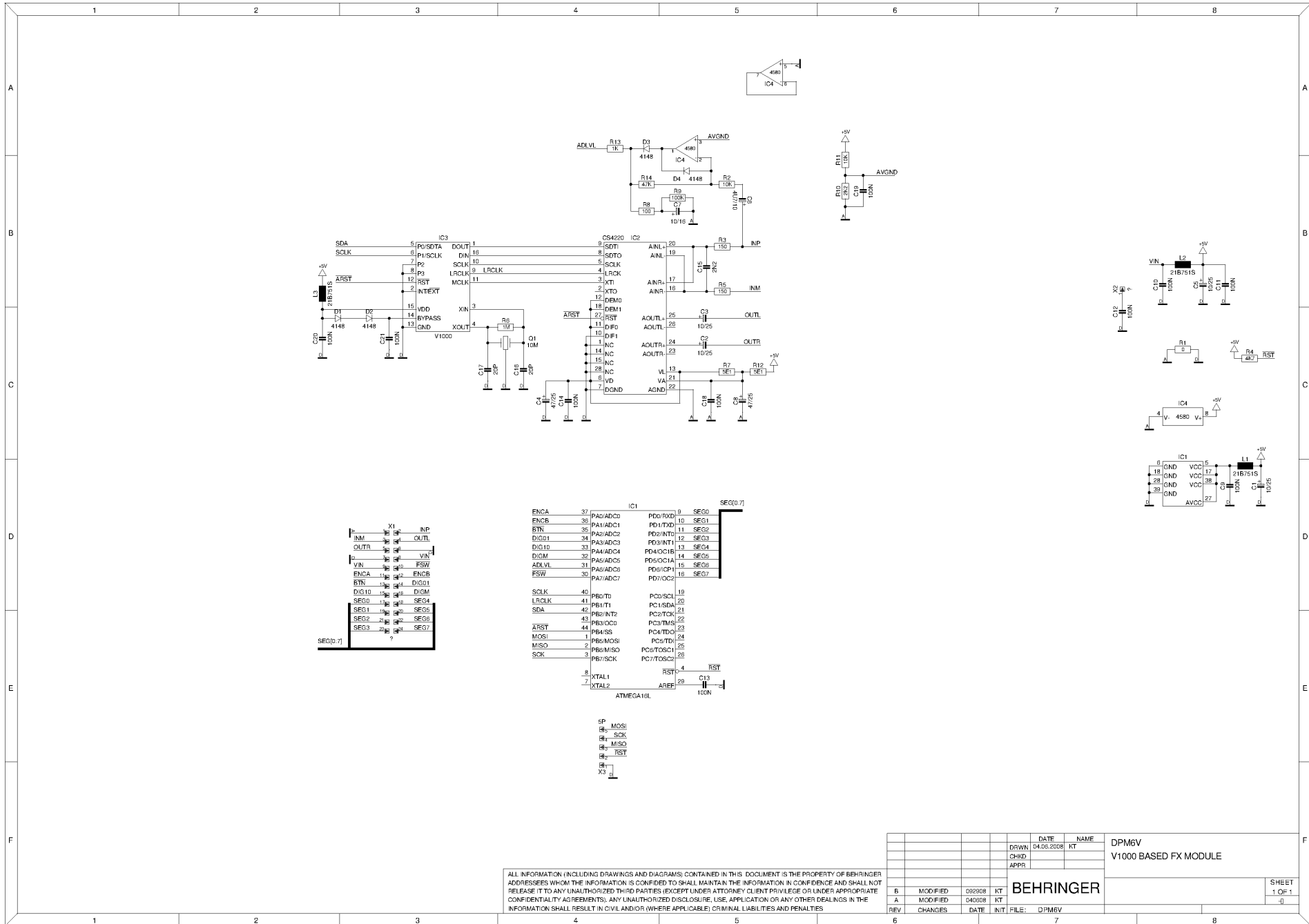


© 2015 MUSIC Group IP Ltd. All third party trademarks mentioned belong to their respective owners and are not affiliated with MUSIC Group IP Ltd. All information (including drawings and diagrams) contained in this document is the property of MUSIC Group IP Ltd., its subsidiaries or content providers, and is protected by intellectual property (copyright, trademark, patents, etc) laws, international treaty provisions and other laws. Any unauthorized disclosure, use, application, reproduction, modification, lease, sale, transmission or any other dealings in the information may violate applicable laws and result in civil and/or (where applicable) criminal liabilities and penalties.

XENYX X1222USB

Specifications

- Premium ultra-low noise, high headroom analog mixer
- 4 state-of-the-art, phantom-powered XENYX Mic Preamps comparable to stand-alone boutique preamps
- 4 studio-grade compressors with super-easy "one-knob" functionality and control LED for professional vocal and instrumental sound
- Neo-classic "British" 3-band EQs for warm and musical sound
- New studio-grade FX processor with 16 editable presets including reverb, chorus, flanger, delay, pitch shifter, multi-effects, Tap function and storable user parameter settings
- Built-in stereo USB/Audio Interface to connect directly to your computer. Free audio recording, editing and podcasting software plus 150 instrument/effect plug-ins and ultra-low latency driver downloadable at www.behringer.com
- 7-band stereo graphic EQ allows precise frequency correction of monitor or main mixes
- Revolutionary FBQ Feedback Detection System instantly reveals critical frequencies
- Breathtaking XPQ 3D stereo surround effect for more vitality and enhanced stereo image
- Voice Canceller function for easy-to-use sing-along applications
- 4 fully equipped stereo input channels featuring 2 additional mic inputs on channels 5/6 and 7/8, 3-band EQ and input trim control
- Channel inserts on each mono channel for flexible connection of outboard equipment
- 2 aux sends per channel: 1 pre fader for monitoring, 1 post fader (for internal FX and/or as external send); 2 multi-functional stereo aux returns
- Balanced main mix outputs with gold-plated XLR connectors, headphone/control room output and stereo rec outputs
- Long-wearing 60-mm logarithmic-taper faders and sealed rotary controls
- "Planet Earth" switching power supply for maximum flexibility (100 - 240 V~), noise-free audio, superior transient response plus low power consumption for energy saving
- Rack mount brackets included for ultimate flexibility
- 3-Year Warranty Program*
- Conceived and designed by BEHRINGER Germany

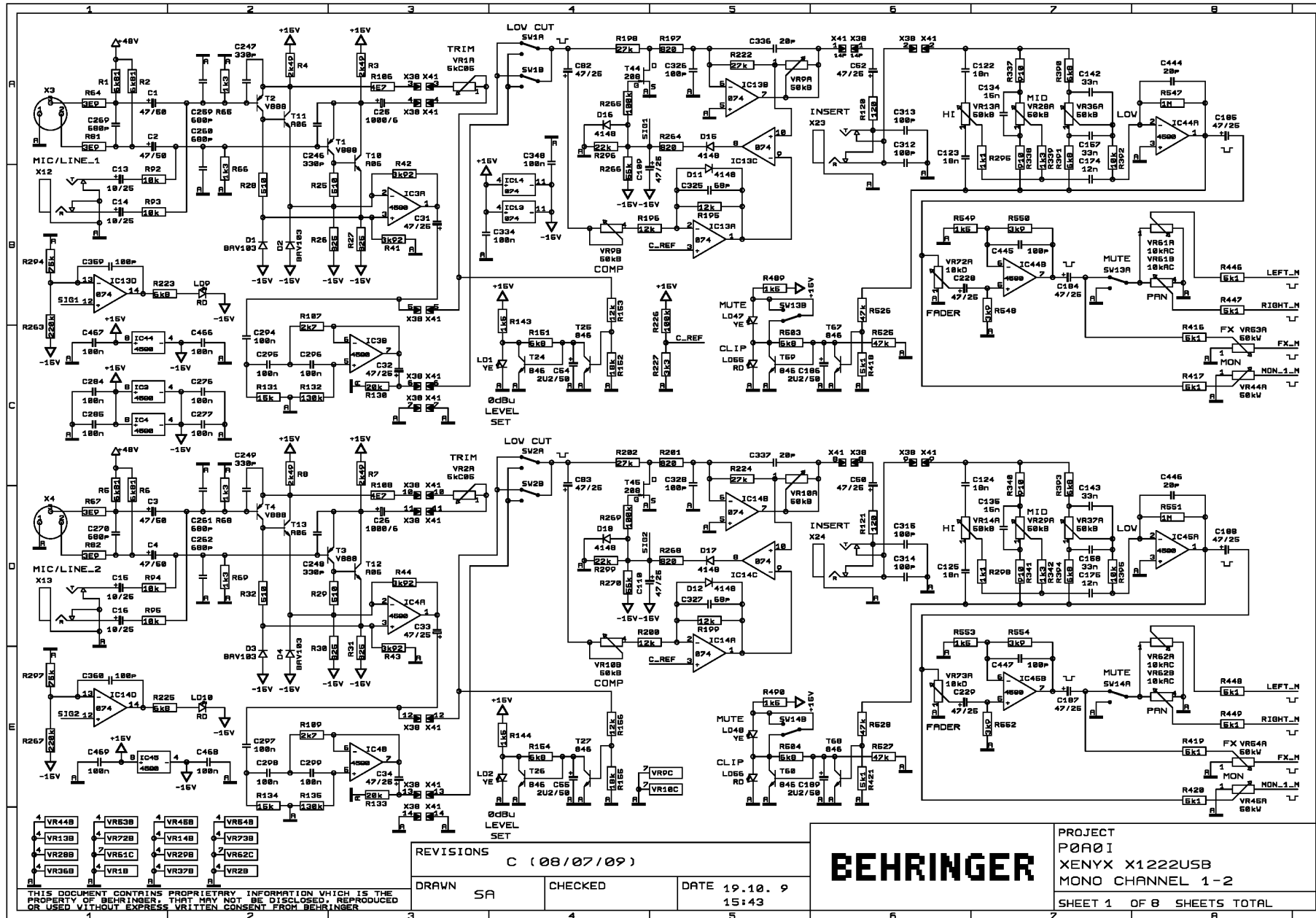


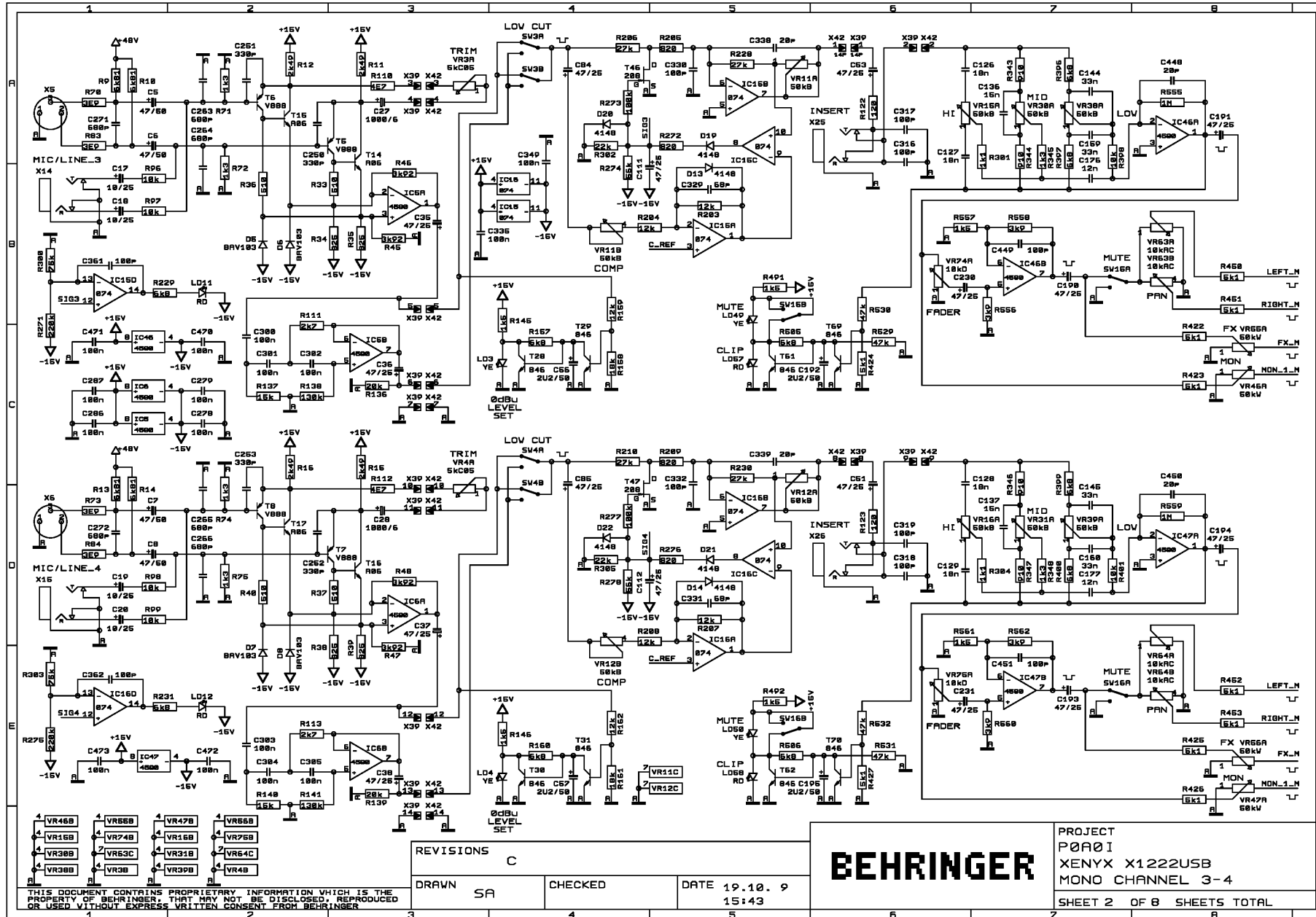
IC1		SEG(0..7)	
ENCA	37	PA0/ADC0	PD0/RXD
ENCB	38	PA1/ADC1	PD1/TXD
BTN	39	PA2/ADC2	PD2/INT0
DIG01	34	PA3/ADC3	PD3/INT1
DIG10	33	PA4/ADC4	PD4/OC1B
DIGM	35	PA5/ADC5	PD5/OC1A
ADLVL	31	PA6/ADC6	PD6/ICP1
FSW	39	PA7/ADC7	PD7/OC2
SCLK	49	PR0/TD	PC0/SCL
LRCLK	41	PR1/T1	PC1.SDA
SDA	43	PR2/T2	PC2/TK
ARST	44	PR3/OC0	PC3/TMS
MOSI	1	PR4/SS	PC4/TDO
MISO	2	PR5/MOSI	PC5/TDI
SCK	3	PR6/MISO	PC6/TOSC1
		PR7/SCK	PC7/TOSC2
XTAL1	8	RST	4
XTAL2	9	AREF	29

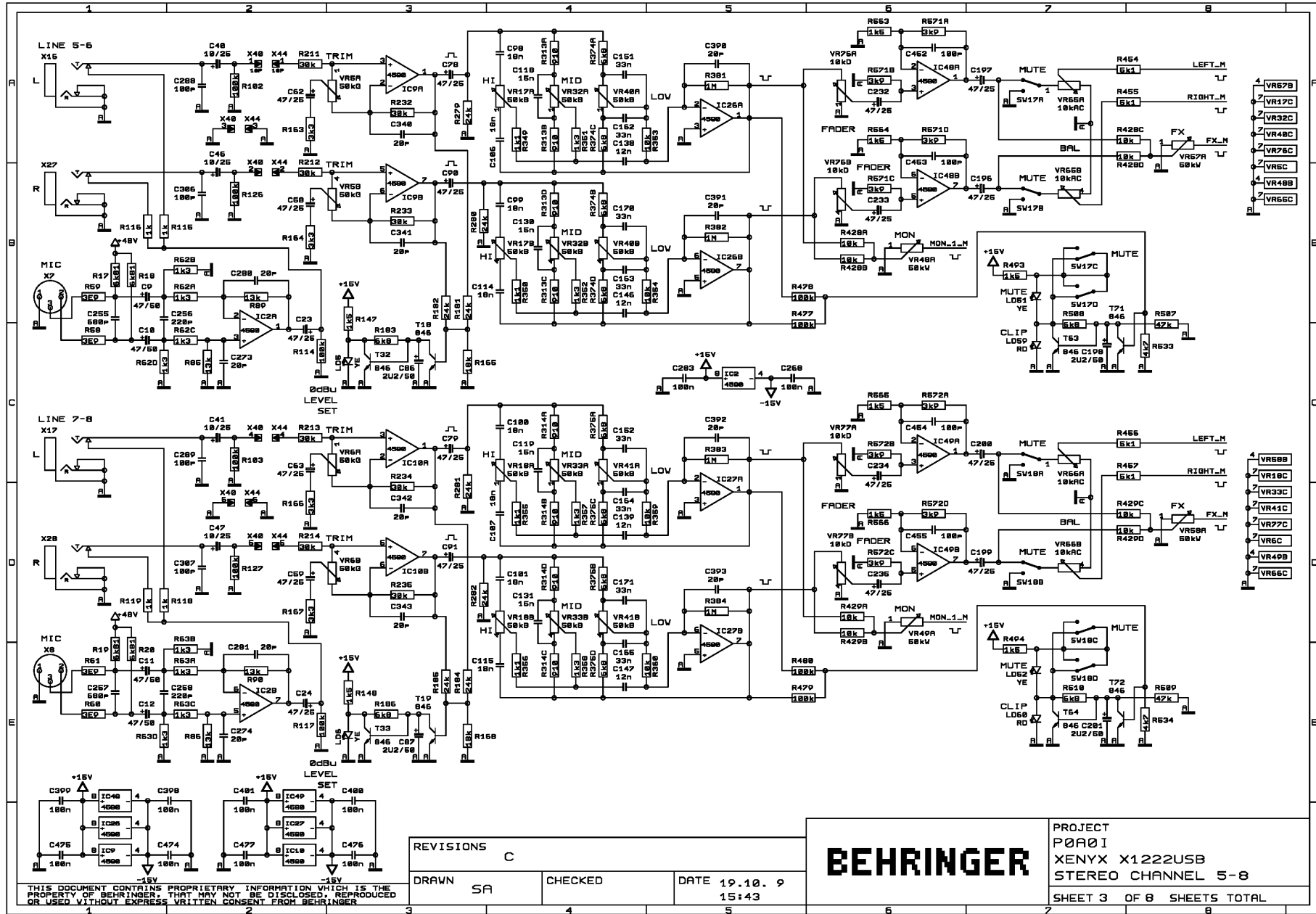
- 6P MOSI
- 6P SCK
- 6P MISO
- 6P RST
- X3

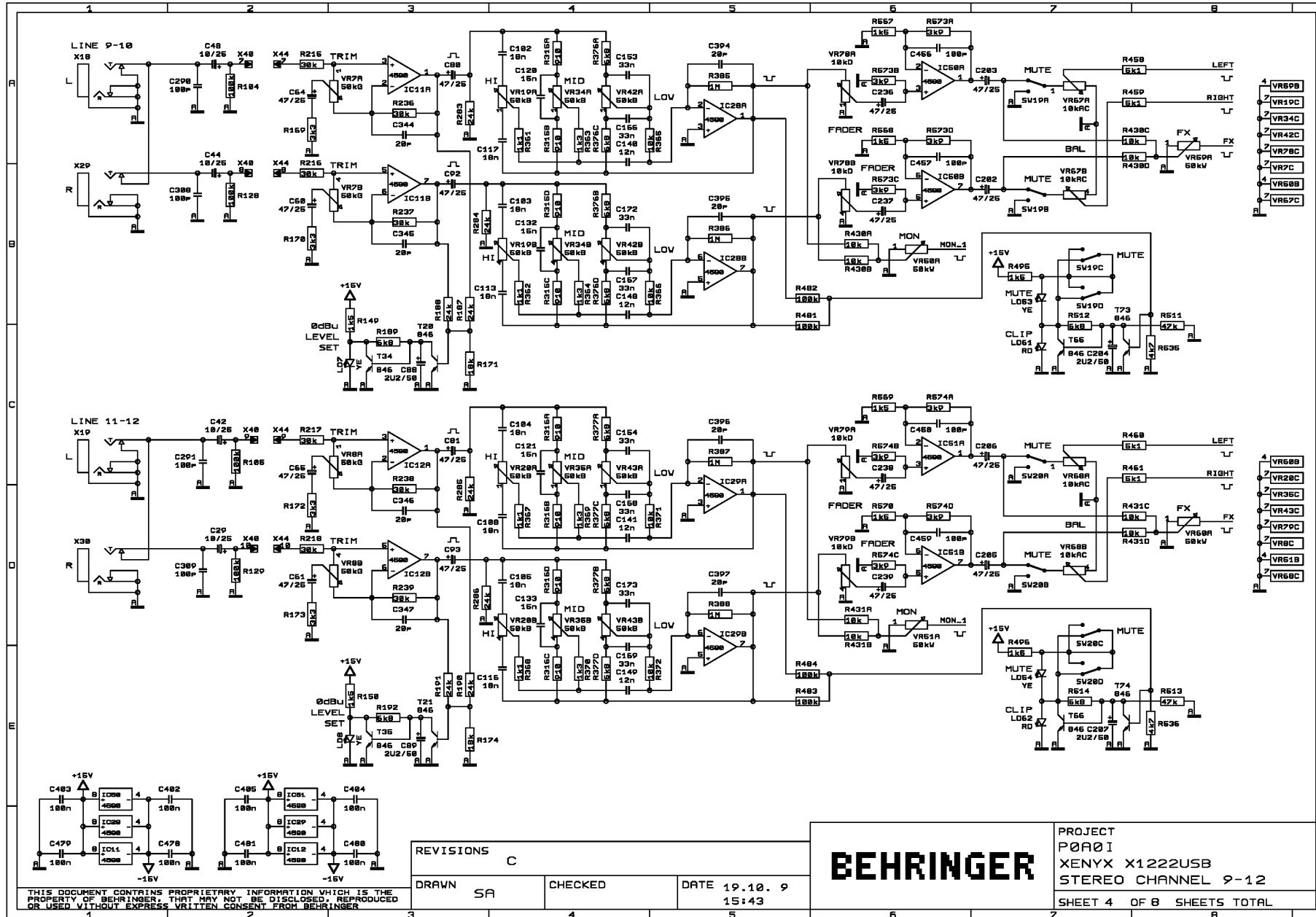
REV	CHANGES	DATE	INIT	FILE	DPM6V
6	MODIFIED	092008	KT		
A	MODIFIED	040908	KT		

ALL INFORMATION (INCLUDING DRAWINGS AND DIAGRAMS) CONTAINED IN THIS DOCUMENT IS THE PROPERTY OF BEHRINGER ADDRESSEES WHOM THE INFORMATION IS CONFIDED TO SHALL MAINTAIN THE INFORMATION IN CONFIDENCE AND SHALL NOT RELEASE IT TO ANY UNAUTHORIZED THIRD PARTIES (EXCEPT UNDER ATTORNEY CLIENT PRIVILEGE OR UNDER APPROPRIATE CONFIDENTIALITY AGREEMENTS); ANY UNAUTHORIZED DISCLOSURE, USE, APPLICATION OR ANY OTHER DEALINGS IN THE INFORMATION SHALL RESULT IN CIVIL AND/OR (WHERE APPLICABLE) CRIMINAL LIABILITIES AND PENALTIES





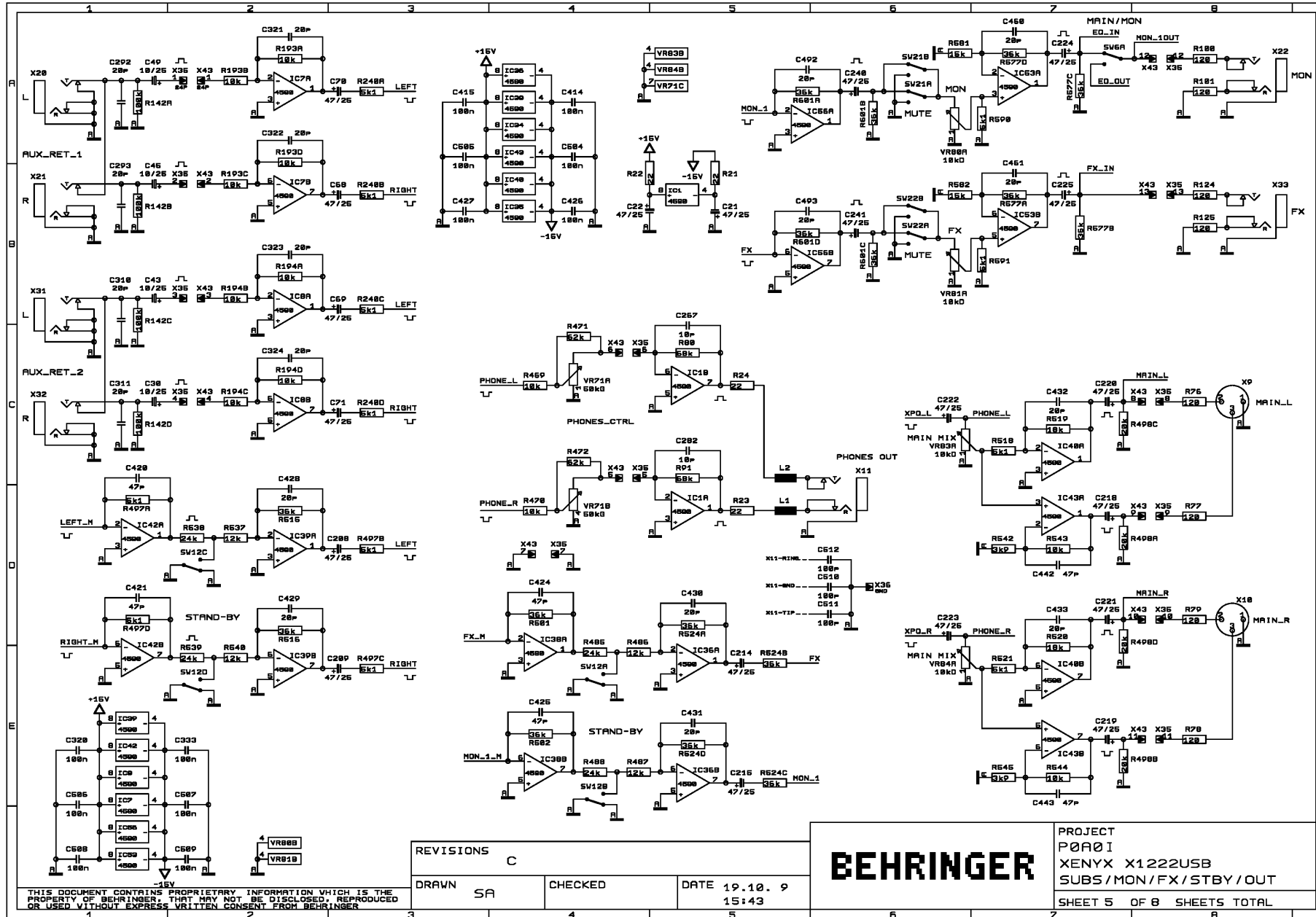


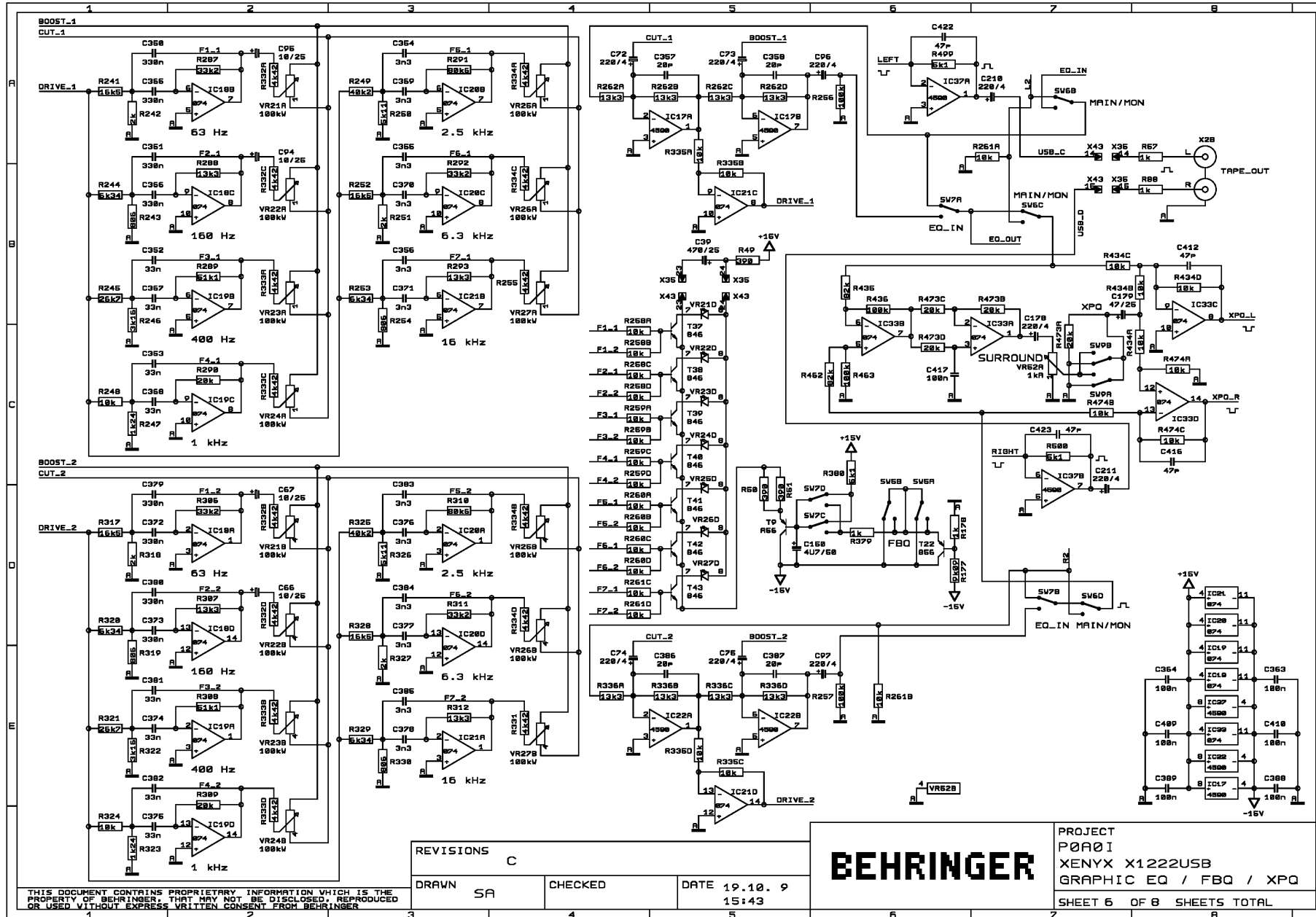


REVISIONS		
C		
DRAWN	CHECKED	DATE
SA		19.10.9
		15:43

BEHRINGER

PROJECT
P0A0I
XENYX X1222USB
STEREO CHANNEL 9-12
SHEET 4 OF 8 SHEETS TOTAL



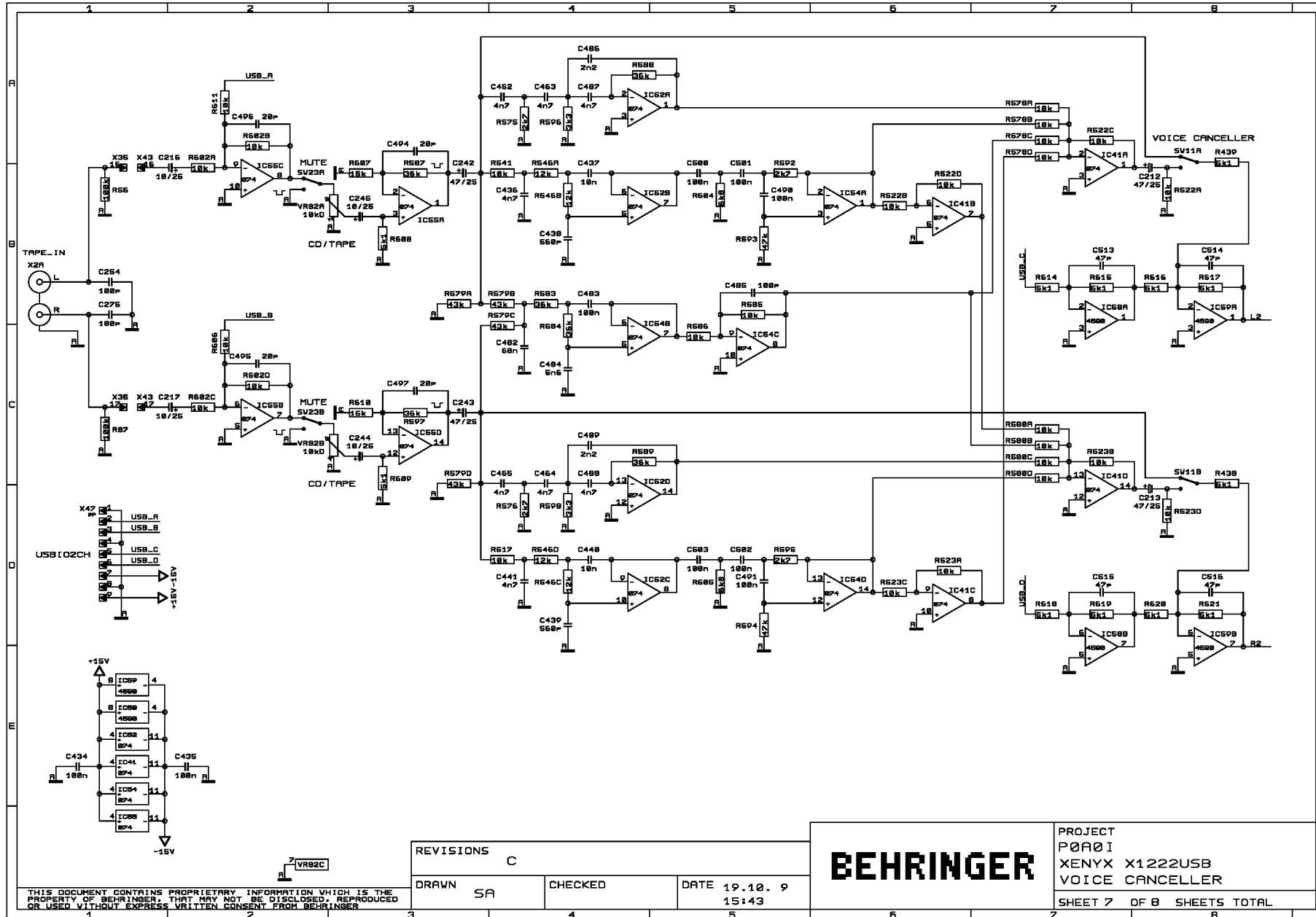


REVISIONS		C	
DRAWN	SA	CHECKED	DATE 19.10.9 15:43

BEHRINGER

PROJECT
P0A0I
XENYX X1222USB
GRAPHIC EQ / FBQ / XPQ
SHEET 6 OF 8 SHEETS TOTAL

THIS DOCUMENT CONTAINS PROPRIETARY INFORMATION WHICH IS THE PROPERTY OF BEHRINGER THAT MAY NOT BE DISCLOSED, REPRODUCED OR USED WITHOUT EXPRESS WRITTEN CONSENT FROM BEHRINGER.

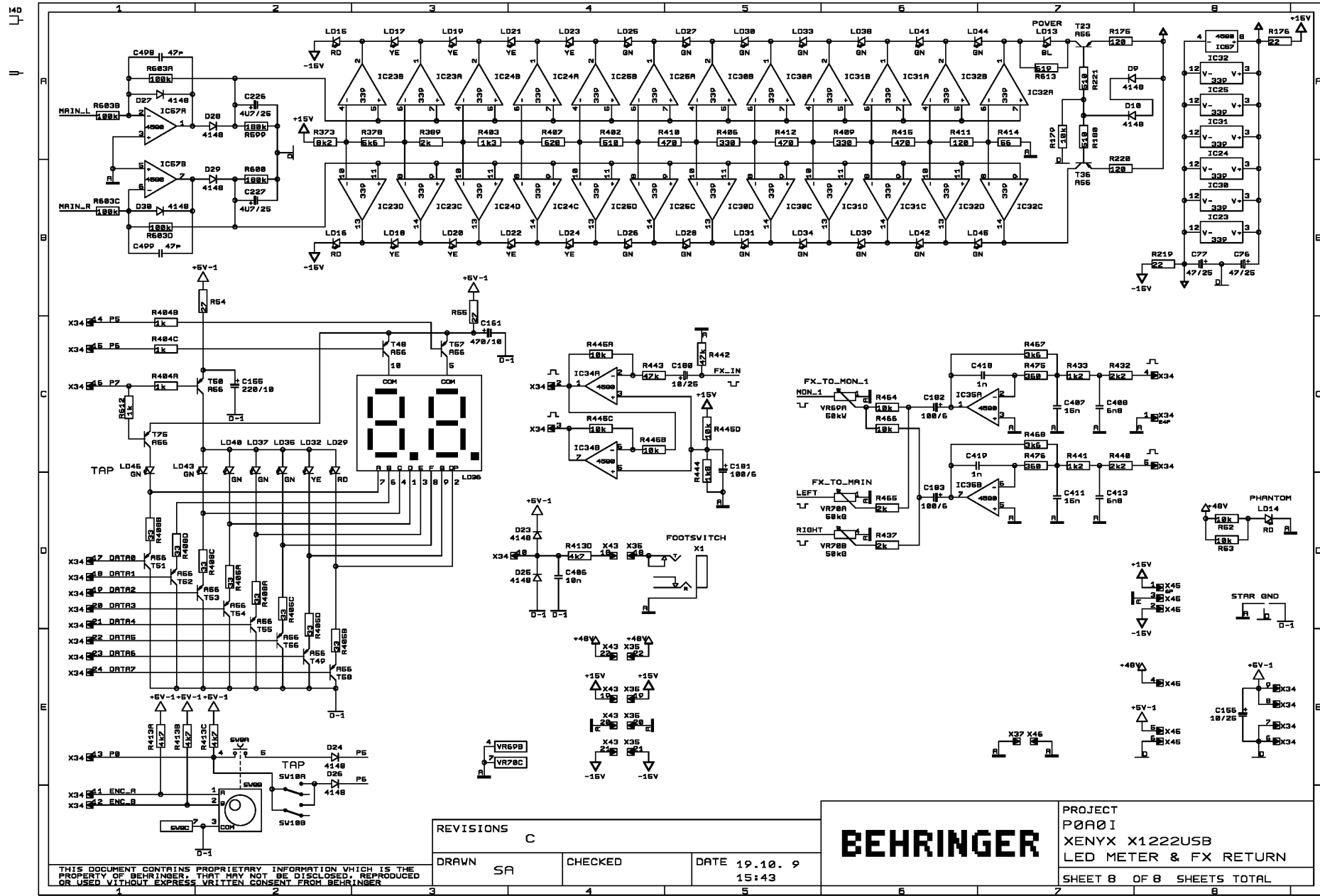


REVISIONS		
C		
DRAWN	CHECKED	DATE
SA		19.10.9
		15:43

BEHRINGER

PROJECT
P0A0I
XENYX X1222USB
VOICE CANCELLER
SHEET 7 OF 8 SHEETS TOTAL

THIS DOCUMENT CONTAINS PROPRIETARY INFORMATION WHICH IS THE PROPERTY OF BEHRINGER THAT MAY NOT BE DISCLOSED, REPRODUCED OR USED WITHOUT EXPRESS WRITTEN CONSENT FROM BEHRINGER.



REVISIONS		
C		
DRAWN SA	CHECKED	DATE 19.10. 9 15:43

BEHRINGER

PROJECT
P0A0I
XENYX X1222USB
LED METER & FX RETURN
SHEET 8 OF 8 SHEETS TOTAL

Service Assemblies

	Quantity	Unit	S.Sku	M.Sku	Description	Reference Designators	Notes
1				A09-A0I00-00003	SPARE PART;POA0I;REV:C;1;HI	[EXTRA SPARE]	
2			Q06-A0I00-00000	A09-A0I00-00000	SPARE PART;POA0I	[EXTRA SPARE]	
3				A09-A0H00-00000	SPARE PART;POA0H;SMPSU22;REV A	[EXTRA SPARE]	

Hi Pcb Assemblies

	Quantity	Unit	S.Sku	M.Sku	Description	Reference Designators	Notes
1	1.0000	PC	Q05-00000-07247	A05-00000-07247	PCB ASSEMBLY;DPM6V;REV:B;HAND INSERT;NO:907040		
2	1.0000	PC		A05-00000-09527	PCB ASSEMBLY;USBIO2CH;REV:B;HAND INSERT;NO:923040		
3	1.0000	PC		A05-A0I00-01100	PCB ASSEMBLY;POA0I;A;HI;SMPSU22		
4	1.0000	PC	Q05-A0I00-02100	A05-A0I00-02100	PCB ASSEMBLY;POA0I;B;HI;USBIO2CH		
5	1.0000	PC	Q05-A0I02-09975	A05-A0I02-09975	PCB ASSEMBLY;POA0I;PCB:02;REV:C;HAND INSERT;NO:909070		

Cable

	Quantity	Unit	S.Sku	M.Sku	Description	Reference Designators	Notes
1	1.0000	PC	Q71-18004-06054	A71-18004-06054	CABLE;USB2.0;BLACK;UL2725;COLOR:BLACK;LENGTH:1800mm +/-40mm;DIA:4mm;CONNECTORS:USB/B TO USB/A;DOUBLE SHIELDING;MAGNET		
2	0.0950	M	Q74-00000-00724	A74-00000-00724	WIRE;RAW FLAT CABLE;UL2651;AWG:28;POLES:24;GRAY;PIN1:RED;PITCH:1mm27		
3	1.0000	PC		A74-00020-80724	CABLE;FLAT;P:2mm54;LENGTH:080mm;AWG:28;FC2/FD;+10/-0mm;POLES:24		
4	1.0000	PC		A74-90040-80724	CABLE;FLAT;P:2mm54;LENGTH:080mm;AWG:28;ZEE;FC2/FD;+10/-0mm;POLES:24		
5	2.0000	PC		A81-04031-46042	WIRE HARNESS;LENGTH:40mm;AWG:26;P:2mm;HOUSING-BOARD IN CONNECTOR;POLES:14;PIN1 RED/OTHERS BLK		
6	2.0000	PC		A81-04031-46842	WIRE HARNESS;LENGTH:40mm;ZEE;AWG:26;P:2mm;HOUSING-BOARD IN CONNECTOR;POLES:14;PIN1 RED/OTHERS BLK	[POA01:01: {2.0}{X41-X42}]	
7	1.0000	PC		A81-06031-06042	WIRE HARNESS;LENGTH:60mm;AWG:26;P:2mm;HOUSING-BOARD IN CONNECTOR;POLES:10;PIN1 RED/OTHERS BLK		
8	1.0000	PC		A81-06031-06842	WIRE HARNESS;LENGTH:60mm;ZEE;AWG:26;P:2mm;HOUSING-BOARD IN CONNECTOR;POLES:10;PIN1 RED/OTHERS BLK	[POA01:01: {1.0}{X44}]	
9	1.0000	PC		A81-14530-66542	WIRE HARNESS;LENGTH:145mm;ZEE;A2006H;AWG:26;P:2mm;HOUSING-BOARD IN CONNECTOR;POLES:6;PIN1 RED/OTHERS BLK;SHIELDED	[POA01:00: {1.0}{X3}]	
10	0.0000	PC		A81-21030-26020	WIRE HARNESS;LENGTH:210mm;AWG:26;P:2mm;HOUSING-STRIPPED/TINNED 5mm;POLES:2;PIN1 RED/OTHERS BLK		
11	1.0000	PC		A81-21030-26820	WIRE HARNESS;LENGTH:210mm;ZEE;AWG:26;P:2mm;HOUSING-STRIPPED/TINNED 5mm;POLES:2;PIN1 RED/OTHERS BLK		
12	0.0000	PC		A81-25030-96042	WIRE HARNESS;LENGTH:250mm;AWG:26;P:2mm;HOUSING-BOARD IN CONNECTOR;POLES:9;PIN1 RED/OTHERS BLK	[POA01:00: {0.0}{X4}]	
13	1.0000	PC		A81-25030-96842	WIRE HARNESS;LENGTH:250mm;ZEE;AWG:26;UL2468;P:2mm;HOUSING-BOARD IN CONNECTOR;POLES:9;PIN1 RED/OTHERS BLK	[POA01:00: {1.0}{X4}]	
14	1.0000	PC	Q76-00001-31031	A76-00001-31031	CABLE;AC-CORD;W/POLYBAG;LENGTH:150cm;AWG:18;H05VV-F 3G0.75MM;VERSION;UK;5A FUSE		(UK)
15	1.0000	PC	Q76-15222-06417	A76-15222-06417	CABLE;AC-CORD;W/POLYBAG;LENGTH:152cm;AWG:18;VERSION;UL;SPEC.NO:06417		(UL)
16	1.0000	PC	Q76-00000-05305	A76-00000-05305	CABLE;AC-CORD;3;BR;1500 MM;Plug + Connector:375+730;H05VV-F 3G0.75		(BR)
17	1.0000	PC		A76-15062-45714	CABLE;AC-CORD;W/POLYBAG;LENGTH:150cm;POLES:3;APPROVAL:CCC;HC103 + 227 IEC 53 (RVV) 3x0.75mm2 + HE109B		(CCC)
18	1.0000	PC		A76-18050-06505	CABLE;AC-CORD;LENGTH:180cm;VERSION;SAA;PLUG:HE105 ISOLATED;SAA H05VV-F 3x0.75mm2;CONN.HP-3;PANYU		(SAA)
19	1.0000	PC	Q76-18050-47490	A76-18050-47490	CABLE;AC-CORD;LENGTH:180cm;VERSION;SAA;PLUG:HE105 ISOLATED;SAA H05VV-F 3x0.75mm2;CONN.HP-3;SPEC.NO:47490		(SAA)
20	1.0000	PC	Q76-15212-03119	A76-15212-03119	CABLE;AC-CORD;W/POLYBAG;LENGTH:152cm;H05VV-F 3G 0.75MM2;VERSION;EU;SPEC.NO:03119		(EU)
21	1.0000	PC	Q76-00000-13573	A76-00000-13573	CABLE;AC-CORD;3;AR;1500 MM;Plug + Connector:321+730;H05VV-F 3G0.75		(AR)
22	1.0000	PC	Q76-15032-55649	A76-15032-55649	CABLE;AC-CORD;CLASS II;W/POLYBAG;JAPAN;LENGTH:150cm;POLES:3;APPROVAL:PSE;JS155 3 + VCTF 3x0.75mm2 + V1528		(HM, SH)

Capacitor

	Quantity	Unit	S.Sku	M.Sku	Description	Reference Designators	Notes
1	9.0000	PC			CAP E;220uF;4V;PITCH:2mm5;5mm x 11mm;VERTICAL 12.7-15-9mm	[POA01:01: {9.0}(C72-C75,C96-C97,C178,C210-C211)]	*NOT available in DP
2	3.0000	PC			CAP E;100uF;6V;PITCH:2mm5;5mm x 11mm;VERTICAL 12.7-15-9mm	[POA01:01: {3.0}(C181-C183)]	*NOT available in DP
3	1.0000	PC			CAP E;220uF;10V;PITCH:2mm5;6mm x 11mm;VERTICAL 12.7-15-9mm	[POA01:01: {1.0}(C155)]	*NOT available in DP
4	8.0000	PC			CAP E;10uF;16V;PITCH:2mm5;4mm x 7mm;VERTICAL 12.7-15-9mm	[USBIO2CH:00: {4.0}(C23-C25,C28)]	*NOT available in DP
5	1.0000	PC			CAP E;1uF;25V;PITCH:2mm5;4mm x 7mm;VERTICAL 12.7-15-9mm	[POA0M:00: {1.0}(C6)]	*NOT available in DP
6	2.0000	PC			CAP E;4uF7;25V;PITCH:2mm5;5mm x 11mm;VERTICAL 12.7-15-9mm	[POA01:01: {2.0}(C226-C227)]	*NOT available in DP
7	4.0000	PC			CAP E;10uF;25V;PITCH:2mm5;4mm x 7mm;VERTICAL 12.7-15-9mm	[DPM6V:00: {2.0}(C1,C3)]	*NOT available in DP
8	31.0000	PC			CAP E;10uF;25V;PITCH:2mm5;5mm x 11mm;VERTICAL 12.7-15-9mm	[SMPSU22:00: {1.0}(C2)]	*NOT available in DP
9	2.0000	PC			CAP E;47uF;25V;PITCH:2mm5;5mm x 7mm;VERTICAL 12.7-15-9mm	[DPM6V:00: {1.0}(C4)]	*NOT available in DP
10	94.0000	PC			CAP E;47uF;25V;PITCH:2mm5;5mm x 11mm;VERTICAL 12.7-15-9mm	[00000: {1.0}(C10)]	*NOT available in DP
11	2.0000	PC			CAP E;100uF;25V;PITCH:2mm5;6mm x 12mm;VERTICAL 12.7-15-9mm	[00000: {2.0}(C4-C5)]	*NOT available in DP
12	1.0000	PC			CAP E;470uF;25V;PITCH:5mm;10mm x 16mm;VERTICAL 12.7-15-9mm	[POA01:02: {1.0}(C39)]	*NOT available in DP
13	1.0000	PC			CAP E;1uF;50V;PITCH:2mm5;5mm x 11mm;VERTICAL 12.7-15-9mm	[00000: {1.0}(C13)]	*NOT available in DP
14	16.0000	PC			CAP E;2uF2;50V;PITCH:2mm5;5mm x 11mm;VERTICAL 12.7-15-9mm	[POA01:01: {16.0}(C54-C57,C86-C89,C186,C189,C192,C195,C198,C201,C204,C207)]	*NOT available in DP
15	1.0000	PC			CAP E;4uF7;50V;PITCH:2mm5;5mm x 11mm;VERTICAL 12.7-15-9mm	[POA01:01: {1.0}(C150)]	*NOT available in DP
16	8.0000	PC			CAP E;47uF;50V;PITCH:2mm5;6mm x 11mm;VERTICAL 12.7-15-9mm	[POA01:02: {8.0}(C2,C4,C6,C8-C12)]	*NOT available in DP
17	2.0000	PC			CAP E;47uF;63V;PITCH:2mm5;6mm x 11mm;VERTICAL 12.7-15-9mm	[00000: {2.0}(C18-C19)]	*NOT available in DP
18	4.0000	PC			CAP E;1mF;6V;PITCH:3mm5;8mm x 14mm;PRECUT:3mm2 - 0/+0mm2	[POA01:02: {4.0}(C25-C28)]	*NOT available in DP
19	1.0000	PC			CAP E;470uF;10V;PITCH:3mm5;8mm x 12mm;PRECUT:3mm2 - 0/+0mm2	[POA01:01: {1.0}(C161)]	*NOT available in DP
20	4.0000	PC			CAP E;47uF;50V;PITCH:2mm5;6mm x 11mm;PRECUT:3mm2 - 0/+0mm2	[POA01:02: {4.0}(C1,C3,C5,C7)]	*NOT available in DP
21	1.0000	PC			CAP E;330uF;100V;PITCH:5mm;PRECUT:3mm2 -0/+0mm2;13 x 25mm	[SMPSU22:00: {1.0}(C20)]	*NOT available in DP
22	1.0000	PC			CAP CER;100pF;25V;COG;10%;SMT805	[SMPSU22:00: {1.0}(C32)]	*NOT available in DP
23	7.0000	PC			CAP CER;10pF;50V;10%;SMT603	[USBIO2CH:00: {5.0}(C1-C5)]	*NOT available in DP
24	56.0000	PC			CAP CER;20pF;50V;20%;SMT603	[DPM6V:00: {2.0}(C16-C17)]	*NOT available in DP
25	2.0000	PC			CAP CER;33pF;50V;5%;COG(NPO);SMT603	[USBIO2CH:00: {2.0}(C15-C16)]	*NOT available in DP
26	16.0000	PC			CAP CER;47pF;50V;5%;COG(NPO);SMT603	[POA01:01: {16.0}(C412,C416,C420-C425,C442-C443,C498-C499,C513-C516)]	*NOT available in DP
27	4.0000	PC			CAP CER;68pF;50V;20%;SMT603	[POA01:01: {4.0}(C325,C327,C329,C331)]	*NOT available in DP
28	45.0000	PC			CAP CER;100pF;50V;20%;SMT603	[USBIO2CH:00: {6.0}(C17-C22)]	*NOT available in DP
29	2.0000	PC			CAP CER;220pF;50V;10%;SMT603	[POA01:02: {2.0}(C256,C258)]	*NOT available in DP
30	8.0000	PC			CAP CER;330pF;50V;20%;SMT603	[POA01:02: {8.0}(C246-C253)]	*NOT available in DP
31	2.0000	PC			CAP CER;560pF;50V;10%;SMT603	[POA01:01: {2.0}(C438-C439)]	*NOT available in DP
32	14.0000	PC			CAP CER;680pF;50V;10%;SMT603	[POA01:02: {14.0}(C255,C257,C259-C266,C269-C272)]	*NOT available in DP
33	2.0000	PC			CAP CER;1nF;50V;10%;SMT603	[POA01:01: {2.0}(C418-C419)]	*NOT available in DP
34	2.0000	PC			CAP CER;2nF2;50V;10%;SMT603	[POA01:01: {2.0}(C486,C489)]	*NOT available in DP
35	12.0000	PC			CAP CER;3nF3;50V;10%;SMT603	[POA01:01: {12.0}(C354-C356,C369-C371,C376-C378,C383-C385)]	*NOT available in DP
36	8.0000	PC			CAP CER;4nF7;50V;10%;SMT603	[POA01:01: {8.0}(C436,C441,C462-C465,C487-C488)]	*NOT available in DP
37	1.0000	PC			CAP CER;5nF6;50V;10%;SMT603	[POA01:01: {1.0}(C484)]	*NOT available in DP
38	2.0000	PC			CAP CER;6nF8;50V;10%;SMT603	[POA01:01: {2.0}(C408,C413)]	*NOT available in DP
39	3.0000	PC			CAP CER;10nF;50V;10%;SMT603	[POA01:01: {3.0}(C406,C437,C440)]	*NOT available in DP

	Quantity	Unit	S.Sku	M.Sku	Description	Reference Designators	Notes
40	1.0000	PC			CAP CER;2nF2;50V;10%;SMT805	[DPM6V:00: {1.0}(C15)]	*NOT available in DP
41	2.0000	PC			CAP CER;15nF;50V;10%;SMT805	[POA01:01: {2.0}(C407,C411)]	*NOT available in DP
42	8.0000	PC			CAP CER;33nF;50V;10%;SMT805	[POA01:01: {8.0}(C352-C353,C367-C368,C374-C375,C381-C382)]	*NOT available in DP
43	1.0000	PC			CAP CER;68nF;50V;10%;SMT805;X7R	[POA01:01: {1.0}(C482)]	*NOT available in DP
44	49.0000	PC			CAP CER;100nF;50V;+80/-20%;SMT805	[POA01:01: {49.0}(C320,C333-C335,C348-C349,C363-C364,C388-C389,C398-C405,C409-C410,C414-C415,C417,C426-C427,C434-C435,C466-C481,C504-C509)]	*NOT available in DP
45	57.0000	PC			CAP CER;100nF;50V;X7R;10%;SMT805	[SMPSU22:00: {9.0}(C23-C31)]	*NOT available in DP
46	8.0000	PC			CAP CER;330nF;50V;10%;SMT805	[POA01:01: {8.0}(C350-C351,C365-C366,C372-C373,C379-C380)]	*NOT available in DP
47	24.0000	PC			CAP MYL;33nF;50V;10%;PITCH:5mm;DIPPED;VERTICAL 12.7-15-9mm	[POA01:01: {24.0}(C142-C145,C151-C154,C157-C160,C162-C173)]	*NOT available in DP
48	12.0000	PC			CAP MYL;12nF;100V;10%;PITCH:4mm;DIPPED;PRECUT:3mm1 +/-0mm5	[POA01:01: {12.0}(C138-C141,C146-C149,C174-C177)]	*NOT available in DP
49	12.0000	PC			CAP MYL;15nF;100V;10%;PITCH:4mm;DIPPED;PRECUT:3mm1 +/-0mm5	[POA01:01: {12.0}(C118-C121,C130-C137)]	*NOT available in DP
50	24.0000	PC			CAP MYL;18nF;100V;10%;PITCH:4mm5;DIPPED;PRECUT:3mm1 +/-0mm5	[POA01:01: {24.0}(C98-C108,C113-C117,C122-C129)]	*NOT available in DP
51	3.0000	PC			CAP Y2;4nF7;275V;PITCH:7mm5;Y2	[SMPSU22:00: {3.0}(C3,C21-C22)]	*NOT available in DP
52	1.0000	PC			CAP E;150uF;400V;PITCH:10mm;25mmx30mm;SNAP-IN;PRECUT:3mm2 -0/+0mm2	[SMPSU22:00: {1.0}(C7)]	*NOT available in DP
53	2.0000	PC	R12-32100-04351	B12-32100-04351	CAP X2;100nF;275V;PITCH:15mm;CASE:8mm5 x 18mm;CASE:8mm5 x 18mm;PRECUT:3.1mm +/-0mm5	[SMPSU22:00: {2.0}(C8,C14)]	
54	1.0000	PC			CAP E;470uF;16V;PITCH:3mm5;8mm x 14mm;PRECUT:3mm2 -0/+0mm2;LOW ESR	[SMPSU22:00: {1.0}(C9)]	*NOT available in DP
55	2.0000	PC			CAP E;1mF;25V;PITCH:5mm;10mm x 20mm;PRECUT:3mm2 -0/+0mm2;LOW ESR	[SMPSU22:00: {2.0}(C12,C16)]	*NOT available in DP
56	1.0000	PC			CAP CER;100pF;1KV;20%;PITCH:5mm;DISC;VERTICAL 12.7-15-9mm	[00000: {1.0}(C17)]	*NOT available in DP
57	2.0000	PC			CAP CER;1nF;1KV;20%;PITCH:5mm;DISC;VERTICAL 12.7-15-9mm	[00000: {2.0}(C11,C15)]	*NOT available in DP
58	1.0000	PC			CAP CER;10nF;1KV;20%;PITCH:10mm;DISC;PRECUT:3mm1 +/-0mm5	[SMPSU22:00: {1.0}(C1)]	*NOT available in DP
59	1.0000	PC			CAP E;470uF;25V;PITCH:3mm5;8mm x 14mm;PRECUT:3mm2 -0/+0mm2;105C	[SMPSU22:00: {1.0}(C6)]	*NOT available in DP

Circuit Protector

	Quantity	Unit	S.Sku	M.Sku	Description	Reference Designators	Notes
1	1.0000	PC	R22-01513-16001	B22-01513-16001	FUSE;1A6;250V;SLOW BLOW;H-TYPE;5mm x 20mm		

Coil

	Quantity	Unit	S.Sku	M.Sku	Description	Reference Designators	Notes
1	1.0000	PC		B34-00000-43407	COIL;LINE FILTER;25 mH;20 MM;UT20 L:25mH MIN@1KHZ,0.25V	[SMPSU22:00: {1.0}(L1)]	
2	1.0000	PC	R37-21200-00019	B37-21200-00019	COIL;CHOKE SMD;SMD 3.2x1.6x1.15;COMMON-MODE;(MURATA DLP31SN121ML2L)	[USBIO2CH:00: {1.0}(L1)]	
3	3.0000	PC	R39-00000-03394	B39-00000-03394	COIL;SMD;BEAD;SMD0805;(BLM21BD751SN1D)	[DPM6V:00: {3.0}(L1-L3)]	
4	4.0000	PC	R39-21202-00018	B39-21202-00018	COIL;SMD BEAD;SMD1608;(MURATA BLM18BB121)	[USBIO2CH:00: {4.0}(L2-L5)]	
5	2.0000	PC		B44-33100-01837	COIL;BEAD SMD;100MH;500mA;RDC:0ohm4;SMD805;(REACH-TONE GZ2012U102T(F))	[POA01:02: {2.0}(L1-L2)]	

Connector

	Quantity	Unit	S.Sku	M.Sku	Description	Reference Designators	Notes
1	1.0000	PC	R83-20184-37925	B83-20184-37925	CONNECTOR;FEMALE;ANGLED;USB;SINGLE;TYPE:B	[USBIO2CH:00: {1.0}(X3)]	
2	55.0000	PC	R84-25016-06014	B84-25016-06014	CRIMP TERMINAL;PITCH:2mm0;AWG24-30;A2008TOP-2		
3	1.0000	PC	R84-42050-00155	B84-42050-00155	CRIMP CONNECTOR;LUG;INNER DIA:4mm3;AWG 14-18;WIRE MOUNT;STRAIGHT		
4	2.0000	PC	R95-01320-03303	B95-01320-03303	CONNECTOR;XLR;SOCKET;MALE;STRAIGHT;POLES:3	[POA01:02: {2.0}(X9-X10)]	
5	6.0000	PC	R95-01340-03300	B95-01340-03300	CONNECTOR;XLR;SOCKET;FEMALE;STRAIGHT;POLES:3	[POA01:02: {6.0}(X3-X8)]	

Diode

	Quantity	Unit	S.Sku	M.Sku	Description	Reference Designators	Notes
1	1.0000	PC			DIODE;HER104;DO41;RADIAL	[SMPSU22:00: {1.0}(D7)]	*NOT available in DP
2	1.0000	PC			DIODE;HER107;DO41;RADIAL	[SMPSU22:00: {1.0}(D3)]	*NOT available in DP
3	1.0000	PC			DIODE;HER207;DO15;RADIAL	[SMPSU22:00: {1.0}(D9)]	*NOT available in DP
4	4.0000	PC			DIODE;HER303;DO27;RADIAL	[SMPSU22:00: {4.0}(D4-D6,D8)]	*NOT available in DP
5	8.0000	PC			DIODE;BAV103;SOD80;TEMIC	[POA01:02: {8.0}(D1-D8)]	*NOT available in DP
6	26.0000	PC			DIODE;LL4148;LL34;TEMIC OR FC;SMD	[DPM6V:00: {4.0}(D1-D4)]	*NOT available in DP
7	1.0000	PC			DIODE;P6KE;200A;DO15	[00000: {1.0}(D2)]	*NOT available in DP
8	1.0000	PC			DIODE;ZPD47V0;DO35;TEMIC OR FC	[SMPSU22:00: {1.0}(D10)]	*NOT available in DP
9	1.0000	PC	X80-24270-20600	H80-24270-20600	RECTIFIER;BRIDGE;KBP206G	[SMPSU22:00: {1.0}(D1)]	

Display

	Quantity	Unit	S.Sku	M.Sku	Description	Reference Designators	Notes
1	1.0000	PC	S28-00000-32332	C28-00000-32332	DISPLAY;LED;Pattern:8.8.;0.4 IN;AMBER;COMMON ANODE;SIZE:20.1X16	[POA01:01: {1.0}(LD36)]	

Hardware

	Quantity	Unit	S.Sku	M.Sku	Description	Reference Designators	Notes
1	1.0000	PC			CABLE TIE;NYLON;4in;COLOR:		*NOT available in DP
2	1.1000	G			THERM-GREASE;COLOR:WHT;SPEC.NO:09286		*NOT available in DP
3	3.6520	G			SCREWLOCK;SPEC.NO:01090		*NOT available in DP
4	1.0000	PC			HEX. NUT;INNER DIA;M4mm;SURFACE:ZINC		*NOT available in DP
5	23.0000	PC			HEX. NUT;FOR JACK;M 3/8in;HEXWRENCH:11mm;THICKNESS:2mm;SURFACE:NICKEL/SLV		*NOT available in DP
6	1.0000	PC			HEX. NUT;FOR JACK;M 3/8in;HEXWRENCH:11mm;THICKNESS:2mm4;SURFACE:NICKEL/SILVER		*NOT available in DP
7	6.0000	PC			SCREW;M3mm*5mm;HEAD:PAN;INSERT:PHILIPS REC.;SURFACE:SILVER ZINC		*NOT available in DP
8	10.0000	PC			SCREW;M3mm*5mm;HEAD:PAN;INSERT:PHILIPS REC.;SURFACE:BLACK/ZINC		*NOT available in DP
9	3.0000	PC			SCREW;M3mm*6mm;HEAD:PAN;INSERT:PHILIPS REC.;SURFACE:SILVER/ZINC		*NOT available in DP
10	13.0000	PC			SCREW;M3mm*6mm;HEAD:PAN;INSERT:PHILLIPS REC.;SURFACE:BLACK/ZINC		*NOT available in DP
11	18.0000	PC			SCREW;M3mm*6mm;HEAD:TRUSS DIA 5mm2;INSERT:PHILIPS REC.;SURFACE:BLACK/ZINC		*NOT available in DP
12	17.0000	PC			SCREW;BT3mm*8mm;HEAD:PAN;INSERT:PHILLIPS REC.;SURFACE:BLACK/ZINC		*NOT available in DP
13	3.0000	PC			SCREW;M03mm*08mm;HEAD:PAN SPRING WASHER;INSERT:PHILIPS REC.;SURFACE:SILVER/ZINC		*NOT available in DP
14	12.0000	PC			SCREW;M4mm*5mm;HEAD:PAN;INSERT:PHILIPS REC.;SURFACE:BLACK/ZINC		*NOT available in DP
15	1.0000	PC			SCREW;M4mm*10mm;HEAD:BINDING;INSERT:PHILIPS REC.;SURFACE:SILVER/ZINC		*NOT available in DP
16	2.0000	PC		F89-07018-00111	INSULATION SHEET;SI-RUBBER;TO220 W/HOLE;11mm*18mm		
17	1.0000	PC	V89-07022-00121	F89-07022-00121	INSULATION SHEET;SI-RUBBER;TO220;COVER		
18	1.0000	PC			METAL;SHIELD;UB-MIXER TRANSFORMER;DST.NO:002;DPT.NO:06841;(UB-MIXER-TRAFO_SHIELDING-REVB.DWG)		*NOT available in DP
19	1.0000	PC			SILICA GEL;MASS;20g;SPEC.NO:20QB-BB2001-4		*NOT available in DP
20	1.0000	PC			STUD;THREAD-DIA;3mm;LENGTH:11mm;EXT/INT		*NOT available in DP
21	1.0000	PC			STUD;THREAD-DIA;3mm;LENGTH:11mm;INT/INT		*NOT available in DP
22	14.0000	PC			STUD;THREAD-DIA;3mm;LENGTH:13mm8;INT/INT		*NOT available in DP
23	0.0500	M			SHRINKING TUBE;INNER DIA;1mm;SPEC.NO:43217		*NOT available in DP
24	0.0600	M			SHRINKING TUBE;INNER DIA;3mm;SPEC.NO:01097		*NOT available in DP
25	0.2000	M			SHRINKING TUBE;INNER DIA;4mm;SPEC.NO:01098		*NOT available in DP
26	0.1200	M			SHRINKING TUBE;INNER DIA;6mm;SPEC.NO:01099		*NOT available in DP
27	24.0000	PC			WASHER;PLAIN;INNER DIA:9mm6;OUTER DIA:13mm;THICKNESS:0mm5;PLATING:NICKEL		*NOT available in DP
28	1.0000	PC			WASHER;EXTERNAL TEETH;INNER DIA:3mm;OUTER DIA:6mm;THICKNESS:1mm;PLATING:CR(III)		*NOT available in DP
29	2.0000	PC			WASHER;EXTERNAL TEETH;INNER DIA:4mm;OUTER DIA:7mm;THICKNESS:1mm7		*NOT available in DP
30	1.0000	PC		F97-00600-11827	FILM;PROTECTIVE;DST.NO:006;DPT.NO:11827;(UB-SPSU-FOIL-REVF.DWG)		
31	2.0000	PC			BUSHING;MINIATURE;NYLON;DWG.NO:27886;(R20-SC-PLA_NYLBUSHM3x1_4.DWG)		*NOT available in DP

Ic

	Quantity	Unit	S.Sku	M.Sku	Description	Reference Designators	Notes
1	1.0000	PC	S60-54422-00528	C60-22422-00528	IC;AD/DA;V4220M;SSOP	[DPM6V:00: {1.0}]{IC2}	
2	1.0000	PC		C60-54422-00528	IC;AD/DA;CS4220;SOP		
3	40.0000	PC		C73-00000-29050	IC;OPAMP;SMD;SOP;8;BA4580RF	[USBIO2CH:00: {1.0}]{IC3}	
4	13.0000	PC	S73-58007-40514	C73-31007-40514	IC;OPAMP OPAMP;TL074;SOP;	[POA0:01: {13.0}]{IC13-IC16,IC18-IC21,IC33,IC41,IC52,IC54-IC55}	
5	1.0000	PC		C73-59458-00408	IC;OPAMP OPAMP;NJM4580L;SIP	[POA0:02: {1.0}]{IC1}	
6	1.0000	PC	S73-59458-00508	C73-59458-00508	IC;OPAMP OPAMP;NJM4580;SOP		
7	1.0000	PC	S74-41024-50707	C74-41024-50707	IC;POWER-CONVERSION;TOP245Y;TO-220-7C	[SMPSU22:00: {1.0}]{IC2}	
8	1.0000	PC	S74-61043-10803	C74-61043-10803	IC;POWER-CONVERSION;VOLT.REFERENCE;TO-92;TL431ACZ	[SMPSU22:00: {1.0}]{IC3}	
9	1.0000	PC	S77-00128-03001	C77-00128-03001	IC;VOLT.REGULATOR;ADJUSTABLE;SOT223;NCP1117STAT3;SMD	[USBIO2CH:00: {1.0}]{IC2}	
10	1.0000	PC	S77-05107-03110	C77-05107-03110	IC;VOLT.REGULATOR;7805F;FULLPACK;TO220	[{1.0}]{IC1}	
11	6.0000	PC	S78-55133-90514	C78-55133-90514	IC;COMPARATOR;(SGS ONLY);LM339;SOP;SMD	[POA0:01: {6.0}]{IC23-IC25,IC30-IC32}	
12	1.0000	PC	T12-00100-02216	D12-00100-02217	IC;DIG COMM.;EUROTEC;V1000;SOIC	[DPM6V:00: {1.0}]{IC3}	
13	1.0000	PC	T24-18016-81844	D24-18016-81844	IC;MICROCONTROLLER;ATMEGA16L-8AC;TQFP44	[{1.0}]{IC1}	
14	1.0000	PC		D28-00001-21435	IC;DIGITAL AUDIO CODEC;SMD;SSOP;PINS:28;V2902	[USBIO2CH:00: {1.0}]{IC1}	
15	1.0000	PC		D33-00001-34373	IC;MICROCONTROLLER, PROGRAMMED;ATMEGA16L-8AC;POA0M(X2442USB)_PCB V:1.01	[DPM6V:00: {1.0}]{IC1}	

Led

	Quantity	Unit	S.Sku	M.Sku	Description	Reference Designators	Notes
1	1.0000	PC	U10-00000-28401	E10-00000-28401	LED HIB;3mm ROUND;AMBER;NORMAL BRIGHT;W/RING;LED;v:Typ.60mcd	[POA0:01: {1.0}]{LD13}	
2	4.0000	PC	U10-33565-00578	E10-33565-00578	LED HIB;2mm x 5mm;GREEN	[POA0:01: {4.0}]{LD35,LD37,LD40,LD43}	
3	1.0000	PC	U10-39585-00580	E10-39585-00580	LED HIB;2mm x 5mm;YELLOW	[POA0:01: {1.0}]{LD32}	
4	15.0000	PC	U10-53565-00588	E10-53565-00588	LED HIB;3mm ROUND;GREEN	[POA0:01: {15.0}]{LD25-LD28,LD30-LD31,LD33-LD34,LD38-LD39,LD41-LD42,LD44-LD46}	
5	24.0000	PC	U10-59585-00592	E10-59585-00592	LED HIB;3mm ROUND;YELLOW	[POA0:01: {24.0}]{LD1-LD8,LD17-LD24,LD47-LD54}	
6	1.0000	PC	U12-37630-00579	E12-37630-00579	LED;2mm x 5mm;RD	[POA0:01: {1.0}]{LD29}	
7	15.0000	PC	U12-57630-00590	E12-57630-00590	LED;3mm ROUND;RD	[POA0:01: {15.0}]{LD9-LD12,LD14-LD16,LD55-LD62}	

Metal Part

	Quantity	Unit	S.Sku	M.Sku	Description	Reference Designators	Notes
1	1.0000	PC		A62-00000-50988	METAL;POA0;SECC 1.0mm;CASE;STAMPING;GLOSS SEMI;SPRAY METALLIC;DARK GRAY;BOTTOM CABINET;REV:C		
2	1.0000	PC		A62-02000-23975	METAL;POWER BRACKET;UB2222FX-PRO;DWG.NO:23975;(R20-UB2222FX-POWER_BRACKET-REVE.DWG)		
3	1.0000	PC		A62-02000-27452	METAL;POWER BRACKET COVER;UBSPSU;DWG.NO:27452;(R20-UB-POWER_BRACKET_COVER-REVB.DWG)		
4	2.0000	PC	Q65-00000-24959	A65-00000-24959	METAL;P0274;SPCC 0.8mm;MOUNT;BENDING + PUNCHING;PLATING TIN;MOUNTING HELP;J00053P;REV:B	[USBIO2CH:00: {2.0}]{X1-X2}	
5	2.0000	PC	Q65-00100-07271	A65-00100-07271	METAL;RACKMOUNT;XENYX1222FX;DST.NO:001;DPT.NO:07271;(UB1222FX-RACKMOUNT-REVA.DWG)		
6	1.0000	PC	Q65-23000-24593	A65-23000-24593	METAL CLIP;DSP2000;DWG.NO:24593;(R14-DSP2000-CLIP-REVC.DWG)		
7	1.0000	PC		J02-00000-33765	METAL;POA0;TOP CABINET;STAMPING;SPRAYING;DARK GRAY METALLIC;A007		

Plastic Part

	Quantity	Unit	S.Sku	M.Sku	Description	Reference Designators	Notes
1	4.0000	PC	W51-01200-01762	G51-01200-01762	RUBBER FOOT;STANDARD;SELF-ADHESIVE;COLOR:BLK;DWG.NO:01762		
2	7.0000	PC	W52-00200-08623	G52-00200-08623	KNOB;FADER;FAD30MMKNOB 1;BLACK;DST.NO:002;DPT.NO:08623;(FADERKNOBBLK1-REVB.DWG)		
3	1.0000	PC	W52-00200-10210	G52-00200-10210	ENCODER KNOB;BLACK;DST.NO:002;DPT.NO:10210;(PMX-ENCODERKNOB-REVB.DWG)		
4	8.0000	PC	W52-00200-11002	G52-00200-11002	KNOB;POT;(10);430C;CAP:BLACK;DST.NO:002;DPT.NO:11002;(PMX-POTKNOB(10)[IN]-REVB.DWG)		
5	10.0000	PC	W52-00200-00258	G52-00200-11003	KNOB;POT;(10);430C;CAP:WHITE;DST.NO:002;DPT.NO:11003;(PMX-POTKNOB(10)[IN]-REVB.DWG)		
6	8.0000	PC	W52-10509-30924	G52-00200-11096	KNOB;FADER;SMALL;BLACK;WHITE LINE;DWG.NO:30924;(FADER-KNOB-SMALL-01-REVB.DWG)		
7	2.0000	PC	W52-00100-00251	G52-00200-11108	KNOB;FADER;SMALL;430C;WHITE LINE;DST.NO:001;DPT.NO:11108;(FADER-KNOB-SMALL-01-REVB.DWG)		
8	1.0000	PC	W52-00200-12087	G52-00200-12087	KNOB;FADER;SMALL;432C;WHITE LINE;DST.NO:2;DPT.NO:12087;(FADER-KNOB-SMALL-01-REVB.DWG)		
9	8.0000	PC	W52-00200-12257	G52-00200-12257	KNOB;POTENTIOMETER;(10);430C;CAP:194C;DST.NO:002;DPT.NO:12257;(PMX-POTKNOB(10)IN-REVB.DWG)		
10	24.0000	PC	W52-00200-12258	G52-00200-12258	KNOB;POTENTIOMETER;(10);430C;CAP:289C;DST.NO:002;DPT.NO:12258;(PMX-POTKNOB(10)IN-REVB.DWG)		
11	10.0000	PC	W52-00200-12259	G52-00200-12259	KNOB;POTENTIOMETER;(10);430C;CAP:151U;DST.NO:002;DPT.NO:12259;(PMX-POTKNOB(10)IN-REVB.DWG)		
12	4.0000	PC	W52-00200-12269	G52-00200-12269	PLASTIC;SWITCH KNOB;I00341P;PANTONE 430C;DST.NO:002;DPT.NO:12269;(I00341P-SWITCH_KNOB-REVB.DWG)		
13	1.0000	PC	W52-00200-12270	G52-00200-12270	KNOB;FADER;SMALL;194C;WHITE LINE;DST.NO:2;DPT.NO:12270;(FADER-KNOB-SMALL-01-REVB.DWG)		
14	1.0000	PC	W52-00200-12287	G52-00200-12287	KNOB;FADER;SMALL;01;151U;WHITE LINE;DST.NO:2;DPT.NO:12287;(FADER-KNOB-SMALL-01-REVB.DWG)		
15	4.0000	PC	W52-00200-15614	G52-00200-15614	KNOB;POTENTIOMETER;(10);430C;CAP:3025C;DST.NO:002;DPT.NO:15614;(PMX-POTKNOB(10)IN-REVB.DWG)		
16	6.0000	PC	W52-00500-11000	G52-00500-11000	KNOB;SWITCH;UB-S;430C;DST.NO:005;DPT.NO:11000;(UB-S_SWKNOB-REVE.DWG)		
17	1.0000	PC	W52-00500-12260	G52-00500-12260	KNOB;SWITCH;UB-S;194C;DST.NO:005;DPT.NO:12260;(R20-UB-S_SWKNOB-REVE.DWG)		
18	11.0000	PC	W52-80508-23627	G52-80508-23627	KNOB;SWITCH;UB-L;7mm4;BLACK;DWG.NO:23627(R20-UB-L_SWKNOB-REVB.DWG)		
19	55.0000	PC	W53-00200-11127	G53-00200-11127	PLASTIC;SPACER;MOULDING;BLACK;LENGTH:11MM;DST.NO:002;DPT.NO:11127;(R20-ACCESSORY-LEDSPACER-REVB.DWG)		
20	1.0000	PC	W56-00000-46260	G56-00000-46260	PLASTIC;P0A0I;ABS;SIDE;MOULDING;GLOSS HIGH;PAINTING NORMAL;SILVER METALLIC;SIDE PANEL;RIGHT;SILVER;PAINT NORMAL		
21	1.0000	PC	W56-00000-46261	G56-00000-46261	PLASTIC;P0A0I;ABS;SIDE;MOULDING;GLOSS HIGH;PAINTING NORMAL;SILVER METALLIC;SIDE PANEL;LEFT;SILVER;PAINT NORMAL		
22	1.0000	PC		G58-00100-03794	SWITCH FRAME S;430C;PMH;DST.NO:001;DPT.NO:03794;(PMX-SWFRAME_S-REVA.DWG)		
23	1.0000	PC		G58-00100-08381	PLASTIC;SHEET;P0554;PET;BLACK;DST.NO:001;DPT.NO:8381;(XENYX 124FX-PET-SHEET-REVA.DWG)		
24	1.0000	PC		G58-00100-14849	PLASTIC HOLDER;7 SEGMENT;XENYX FX-SERIES;DST.NO:001;DPT.NO:14849;(I00513P-7 SEGMENT HOLDER-REVA.DWG)		
25	1.0000	PC	Y64-00000-32653	I64-00000-32653	PLASTIC;P0559;PMMA;TRANSPARENT;LED WINDOW;XENYX FX;DPM5;A003		

Plug Socket

	Quantity	Unit	S.Sku	M.Sku	Description	Reference Designators	Notes
1	1.0000	PC	W61-65224-03293	G61-65224-03293	BOX HEADER;POLES:24;2 ROW;STRAIGHT;PITCH:2mm54;SCM-24S	[POA01:01: {1.0}(X43)]	
2	1.0000	PC	W61-75224-05413	G61-75224-05413	CABLE HEADER;POLES:24;2 ROW;IDE;STRAIGHT;PITCH:2mm54;FC-24P		
3	1.0000	PC	W61-85224-08163	G61-85224-08163	TRANSITION PLUG;FLAT CABLE;POLES:24;ROWS:2;STRAIGHT;PITCH:2mm54;BLACK;FD-24P		
4	23.0000	PC	W64-01211-03174	G64-01211-03174	PLUG;JACK STEREO 6mm3;STRAIGHT SOLDER;W/O MET.RNG.;MET.BUSH.;NO NUT/WASHER;(JY-6351G-02-250)	[POA01:02: {23.0}(X1,X12-X33)]	
5	1.0000	PC	W64-16212-00005	G64-16212-00005	PLUG;PCB;PLUG;JACK STEREO 6mm3;STRAIGHTPCB LUGS;NO NUT/WASHER;METAL BUSHING;(CHUNSHENG PJ-632HA)	[POA01:02: {1.0}(X11)]	
6	0.0000	PC	W67-20103-01824	G67-20103-01824	PLUG;AC SOCK;W FUSE;SNAP-IN;COLOR:BLK;POLES:03;(RONG-FENG RF-2004)		
7	1.0000	PC		G67-40103-01810	SOCKET;AC;SCREW MOUNT;FUSED;UL94V-0;10A/250VAC;FOR AMP CONN;COLOR:BLK;POLES:03;(JACKSON JR-101-1FS)		
8	1.0000	PC	W68-04004-03284	G68-04004-03284	PLUG;RCA;SOCKET;RCAJACK4P/S;FEMALE;POLES:04;STRAIGHT	[POA01:02: {1.0}(X2)]	
9	1.0000	PC		G71-00000-03961	WAFER;V1000-14B,0.35um;LOGIC-3.3V(1P4M)		
10	1.0000	PC		G71-15224-24042	PIN HEADER;POLES:24;STRAIGHT;PITCH:2.54 mm;2 ROWS;1002-24-S	[DPM6V:00: {1.0}(X1)]	
11	2.0000	PC	W71-23102-04756	G71-23102-04756	WAFER;POLES:2;STRAIGHT;PITCH:2 mm;1 ROW;TYPE:A2006WV-2P	[SMPSU22:00: {2.0}(X2,X4)]	
12	1.0000	PC	W71-23106-04965	G71-23106-04965	WAFER;POLES:6;STRAIGHT;PITCH:2 mm;1 ROW;TYPE:A2006WV-6P	[POA01:01: {1.0}(X45)]	
13	1.0000	PC	W71-23109-04748	G71-23109-04748	WAFER;POLES:9;STRAIGHT;PITCH:2 mm;1 ROW;TYPE:A2006WV-9P	[POA01:01: {1.0}(X47)]	
14	1.0000	PC	W71-23110-04749	G71-23110-04749	WAFER;POLES:10;STRAIGHT;PITCH:2 mm;1 ROW;TYPE:A2006WV-10P	[POA01:02: {1.0}(X40)]	
15	2.0000	PC	W71-23114-04753	G71-23114-04753	WAFER;POLES:14;STRAIGHT;PITCH:2 mm;1 ROW;TYPE:A2006WV-14P	[POA01:02: {2.0}(X38-X39)]	
16	1.0000	PC	W71-35224-03073	G71-35224-03073	PLUG;PCB;PLUG;PCB SOCKET;POLES:24;2 ROWS;STRAIGHT;PITCH:2mm54;2801-24GS	[POA01:01: {1.0}(X34)]	
17	1.0000	PC	W71-43102-05994	G71-43102-05994	PLUG;HOUSING;POLES:2;ROWS:1;STRAIGHT;PITCH:2mm;TYP:A2008		
18	1.0000	PC	W71-43106-05998	G71-43106-05998	PLUG;HOUSING;POLES:6;ROWS:1;STRAIGHT;PITCH:2mm;TYP:A2008		
19	1.0000	PC	W71-43109-06001	G71-43109-06001	PLUG;HOUSING;POLES:9;ROWS:1;STRAIGHT;PITCH:2mm;TYP:A2008		
20	1.0000	PC	W71-43110-06002	G71-43110-06002	PLUG;HOUSING;POLES:10;ROWS:1;STRAIGHT;PITCH:2mm;TYP:A2008		
21	2.0000	PC	W71-43114-06006	G71-43114-06006	PLUG;HOUSING;POLES:14;ROWS:1;STRAIGHT;PITCH:2mm;TYP:A2008		
22	53.0000	PC	W71-80000-05663	G71-80000-05663	BD.-IN-CONN;TERMINAL;SAN-002T-0.8A		
23	1.0000	PC	W71-83106-05650	G71-83106-05650	BOARD-IN-CONNECTOR;POLES:6;ROWS:1;STRAIGHT;PITCH:2 mm		
24	1.0000	PC	W71-83109-05817	G71-83109-05817	BOARD-IN-CONNECTOR;POLES:9;ROWS:1;STRAIGHT;PITCH:2 mm		
25	1.0000	PC	W71-83110-05654	G71-83110-05654	BOARD-IN-CONNECTOR;POLES:10;ROWS:1;STRAIGHT;PITCH:2 mm		
26	2.0000	PC	W71-83114-05658	G71-83114-05658	BOARD-IN-CONNECTOR;POLES:14;ROWS:1;STRAIGHT;PITCH:2 mm		

Power Supply

	Quantity	Unit	S.Sku	M.Sku	Description	Reference Designators	Notes
1	1.0000	PC	Z63-09390-24046	J63-09390-24046	TRANSFORMER;SPSU;40 WATT;UB-SERIES;DWG:24046		
2	1.0000	PC		J69-00000-52510	TRAF0;SWITCH MODE;POAL3;UNIVERSAL 100 TO 240;COMMON;590uH;DA XIN PN:KB1332-15304		
3	1.0000	PC		J69-00000-52512	TRAF0;SWITCH MODE;POAL3;UNIVERSAL 100 TO 240;COMMON;590uH;SUPERWORLD PN:R17-19-01214		

Quarz

	Quantity	Unit	S.Sku	M.Sku	Description	Reference Designators	Notes
1	1.0000	PC	X65-40471-00000	H65-40471-00000	QUARZ;RESONATOR;10MHz;HC49/S;FUNDAMENTAL	[DPM6V:00: {1.0}{Q1}]	
2	1.0000	PC	X65-40471-20000	H65-40471-20000	QUARZ;RESONATOR;12MHz;HC49/4H FUNDAMENTAL	[USBIO2CH:00: {1.0}{Q1}]	

Resistor

	Quantity	Unit	S.Sku	M.Sku	Description	Reference Designators	Notes
1	1.0000	PC			RESISTOR;CARBON;56ohm;5%;0W063;SMD603	[POA01:01: {1.0}{R414}]	*NOT available in DP
2	4.0000	PC			RESISTOR;CARBON;13Kohm;5%;0W063;SMD603	[POA01:02: {4.0}{R85-R86,R89-R90}]	*NOT available in DP
3	4.0000	PC			RESISTOR;CARBON;130Kohm;5%;0W063;SMD603	[POA01:02: {4.0}{R132,R135,R138,R141}]	*NOT available in DP
4	2.0000	PC			RESISTOR;CARBON;180Kohm;5%;0W063;SMD603	[POA01:01: {2.0}{R599-R600}]	*NOT available in DP
5	12.0000	PC			RESISTOR;CARBON;3ohm9;5%;0W063;SMD603	[POA01:02: {12.0}{R58-R61,R64,R67,R70,R73,R81-R84}]	*NOT available in DP
6	4.0000	PC			RESISTOR;CARBON;4ohm7;5%;0W063;SMD603	[POA01:02: {4.0}{R106,R108,R110,R112}]	*NOT available in DP
7	2.0000	PC			RESISTOR;CARBON;22ohm;5%;0W063;SMD603	[USBIO2CH:00: {2.0}{R18-R19}]	*NOT available in DP
8	2.0000	PC			RESISTOR;CARBON;330ohm;5%;0W063;SMD603	[POA01:01: {2.0}{R406,R409}]	*NOT available in DP
9	2.0000	PC			RESISTOR;CARBON;360ohm;5%;0W063;SMD603	[POA01:01: {2.0}{R475-R476}]	*NOT available in DP
10	6.0000	PC			RESISTOR;CARBON;470ohm;5%;0W063;SMD603	[USBIO2CH:00: {3.0}{R4-R6}]	*NOT available in DP
11	3.0000	PC			RESISTOR;CARBON;510ohm;5%;0W063;SMD603	[POA01:01: {3.0}{R180,R221,R402}]	*NOT available in DP
12	1.0000	PC			RESISTOR;CARBON;620ohm;5%;0W063;SMD603	[POA01:01: {1.0}{R407}]	*NOT available in DP
13	8.0000	PC			RESISTOR;CARBON;820ohm;5%;0W063;SMD603	[POA01:01: {8.0}{R197,R201,R205,R209,R264,R268,R272,R276}]	*NOT available in DP
14	8.0000	PC			RESISTOR;CARBON;910ohm;5%;0W063;SMD603	[POA01:01: {8.0}{R337-R338,R340-R341,R343-R344,R346-R347}]	*NOT available in DP
15	7.0000	PC			RESISTOR;CARBON;1Kohm;5%;0W063;SMD603	[POA01:01: {1.0}{R612}]	*NOT available in DP
16	12.0000	PC			RESISTOR;CARBON;1Kohm1;5%;0W063;SMD603	[POA01:01: {12.0}{R295,R298,R301,R304,R349-R350,R355-R356,R361-R362,R367-R368}]	*NOT available in DP
17	2.0000	PC			RESISTOR;CARBON;1Kohm2;5%;0W063;SMD603	[POA01:01: {2.0}{R433,R441}]	*NOT available in DP
18	13.0000	PC			RESISTOR;CARBON;1Kohm3;5%;0W063;SMD603	[POA01:01: {13.0}{R339,R342,R345,R348,R351-R352,R357-R358,R363-R364,R369-R370,R403}]	*NOT available in DP
19	13.0000	PC			RESISTOR;CARBON;1Kohm5;5%;0W063;SMD603	[USBIO2CH:00: {1.0}{R1}]	*NOT available in DP
20	1.0000	PC			RESISTOR;CARBON;1Kohm8;5%;0W063;SMD603	[POA01:01: {1.0}{R444}]	*NOT available in DP
21	3.0000	PC			RESISTOR;CARBON;2Kohm;5%;0W063;SMD603	[POA01:01: {3.0}{R389,R437,R465}]	*NOT available in DP
22	2.0000	PC			RESISTOR;CARBON;2Kohm2;5%;0W063;SMD603	[POA01:01: {2.0}{R432,R440}]	*NOT available in DP
23	8.0000	PC			RESISTOR;CARBON;2Kohm7;5%;0W063;SMD603	[POA01:01: {4.0}{R575-R576,R592,R595}]	*NOT available in DP
24	11.0000	PC			RESISTOR;CARBON;3Kohm3;5%;0W063;SMD603	[POA01:01: {11.0}{R163-R164,R166-R167,R169-R170,R172-R173,R227,R596,R598}]	*NOT available in DP
25	2.0000	PC			RESISTOR;CARBON;3Kohm6;5%;0W063;SMD603	[POA01:01: {2.0}{R467-R468}]	*NOT available in DP
26	10.0000	PC			RESISTOR;CARBON;3Kohm9;5%;0W063;SMD603	[POA01:01: {10.0}{R542,R545,R548,R550,R552,R554,R556,R558,R560,R562}]	*NOT available in DP
27	5.0000	PC			RESISTOR;CARBON;4Kohm7;5%;0W063;SMD603	[DPM6V:00: {1.0}{R4}]	*NOT available in DP
28	46.0000	PC			RESISTOR;CARBON;5Kohm1;5%;0W063;SMD603	[POA01:01: {46.0}{R416-R427,R438-R439,R446-R461,R499-R500,R518,R521,R590-R591,R608-R609,R614-R621}]	*NOT available in DP
29	1.0000	PC			RESISTOR;CARBON;5Kohm6;5%;0W063;SMD603	[POA01:01: {1.0}{R378}]	*NOT available in DP
30	30.0000	PC			RESISTOR;CARBON;6Kohm8;5%;0W063;SMD603	[POA01:01: {30.0}{R151,R154,R157,R160,R183,R186,R189,R192,R223,R225,R229,R231,R390-R391,R393-R394,R396-R397,R399-R400,R503-R506,R508,R510,R512,R514,R604-R605}]	*NOT available in DP
31	1.0000	PC			RESISTOR;CARBON;8Kohm2;5%;0W063;SMD603	[POA01:01: {1.0}{R373}]	*NOT available in DP
32	35.0000	PC			RESISTOR;CARBON;10Kohm;5%;0W063;SMD603	[USBIO2CH:00: {2.0}{R12-R13}]	*NOT available in DP
33	16.0000	PC			RESISTOR;CARBON;12Kohm;5%;0W063;SMD603	[POA01:01: {16.0}{R153,R156,R159,R162,R195-R196,R199-R200,R203-R204,R207-R208,R486-R487,R537,R540}]	*NOT available in DP
34	8.0000	PC			RESISTOR;CARBON;15Kohm;5%;0W063;SMD603	[POA01:01: {4.0}{R581-R582,R607,R610}]	*NOT available in DP
35	10.0000	PC			RESISTOR;CARBON;18Kohm;5%;0W063;SMD603	[POA01:01: {10.0}{R152,R155,R158,R161,R165,R168,R171,R174,R519-R520}]	*NOT available in DP
36	4.0000	PC			RESISTOR;CARBON;20Kohm;5%;0W063;SMD603	[POA01:02: {4.0}{R130,R133,R136,R139}]	*NOT available in DP

	Quantity	Unit	S.Sku	M.Sku	Description	Reference Designators	Notes
37	4.0000	PC			RESISTOR;CARBON;22Kohm;5%;0W063;SMD603	[P0A01:01: {4.0}(R296,R299,R302,R305)]	*NOT available in DP
38	20.0000	PC			RESISTOR;CARBON;24Kohm;5%;0W063;SMD603	[P0A01:01: {20.0}(R181-R182,R184-R185,R187-R188,R190-R191,R279-R286,R485,R488,R538-R539)]	*NOT available in DP
39	8.0000	PC			RESISTOR;CARBON;27Kohm;5%;0W063;SMD603	[P0A01:01: {8.0}(R198,R202,R206,R210,R222,R224,R228,R230)]	*NOT available in DP
40	16.0000	PC			RESISTOR;CARBON;30Kohm;5%;0W063;SMD603	[P0A01:01: {16.0}(R211-R218,R232-R239)]	*NOT available in DP
41	10.0000	PC			RESISTOR;CARBON;36Kohm;5%;0W063;SMD603	[P0A01:01: {10.0}(R501-R502,R515-R516,R583-R584,R587-R589,R597)]	*NOT available in DP
42	16.0000	PC			RESISTOR;CARBON;47Kohm;5%;0W063;SMD603	[P0A01:01: {16.0}(R442-R443,R507,R509,R511,R513,R525-R532,R593-R594)]	*NOT available in DP
43	4.0000	PC			RESISTOR;CARBON;56Kohm;5%;0W063;SMD603	[P0A01:01: {4.0}(R266,R270,R274,R278)]	*NOT available in DP
44	2.0000	PC			RESISTOR;CARBON;62Kohm;5%;0W063;SMD603	[P0A01:01: {2.0}(R471-R472)]	*NOT available in DP
45	2.0000	PC			RESISTOR;CARBON;68Kohm;5%;0W063;SMD603	[P0A01:02: {2.0}(R80,R91)]	*NOT available in DP
46	4.0000	PC			RESISTOR;CARBON;75Kohm;5%;0W063;SMD603	[P0A01:01: {4.0}(R294,R297,R300,R303)]	*NOT available in DP
47	2.0000	PC			RESISTOR;CARBON;82Kohm;5%;0W063;SMD603	[P0A01:01: {2.0}(R435,R462)]	*NOT available in DP
48	29.0000	PC			RESISTOR;CARBON;100Kohm;5%;0W063;SMD603	[P0A01:01: {17.0}(R226,R256-R257,R265,R269,R273,R277,R436,R463,R477-R484)]	*NOT available in DP
49	4.0000	PC			RESISTOR;CARBON;220Kohm;5%;0W063;SMD603	[P0A01:01: {4.0}(R263,R267,R271,R275)]	*NOT available in DP
50	14.0000	PC			RESISTOR;CARBON;1Mohm;5%;0W063;SMD603	[USBIO2CH:00: {1.0}(R14)]	*NOT available in DP
51	1.0000	PC			RESISTOR;METAL;200ohm;1%;0W063;SMD603	[USBIO2CH:00: {1.0}(R17)]	*NOT available in DP
52	1.0000	PC			RESISTOR;METAL;390ohm;1%;0W063;SMD603	[USBIO2CH:00: {1.0}(R11)]	*NOT available in DP
53	4.0000	PC			RESISTOR;METAL;806ohm;1%;0W063;SMD603	[P0A01:01: {4.0}(R243,R254,R319,R330)]	*NOT available in DP
54	1.0000	PC			RESISTOR;METAL;1Kohm;1%;0W063;SMD603	[P0A01:01: {1.0}(R178)]	*NOT available in DP
55	2.0000	PC			RESISTOR;METAL;1Kohm24;1%;0W063;SMD603	[P0A01:01: {2.0}(R247,R323)]	*NOT available in DP
56	8.0000	PC			RESISTOR;METAL;1Kohm3;1%;0W063;SMD603	[P0A01:02: {8.0}(R65-R66,R68-R69,R71-R72,R74-R75)]	*NOT available in DP
57	4.0000	PC			RESISTOR;METAL;2Kohm;1%;0W063;SMD603	[P0A01:01: {4.0}(R242,R251,R318,R327)]	*NOT available in DP
58	2.0000	PC			RESISTOR;METAL;3Kohm16;1%;0W063;SMD603	[P0A01:01: {2.0}(R246,R322)]	*NOT available in DP
59	2.0000	PC			RESISTOR;METAL;4Kohm42;1%;0W063;SMD603	[P0A01:01: {2.0}(R255,R331)]	*NOT available in DP
60	2.0000	PC			RESISTOR;METAL;5Kohm11;1%;0W063;SMD603	[P0A01:01: {2.0}(R250,R326)]	*NOT available in DP
61	2.0000	PC			RESISTOR;METAL;5Kohm6;1%;0W063;SMD603	[USBIO2CH:00: {2.0}(R7-R8)]	*NOT available in DP
62	4.0000	PC			RESISTOR;METAL;6Kohm34;1%;0W063;SMD603	[P0A01:01: {4.0}(R244,R253,R320,R329)]	*NOT available in DP
63	1.0000	PC			RESISTOR;METAL;9Kohm09;1%;0W063;SMD603	[P0A01:01: {1.0}(R177)]	*NOT available in DP
64	6.0000	PC			RESISTOR;METAL;10Kohm;1%;0W063;SMD603	[USBIO2CH:00: {4.0}(R9-R10,R15-R16)]	*NOT available in DP
65	4.0000	PC			RESISTOR;METAL;13Kohm3;1%;0W063;SMD603	[P0A01:01: {4.0}(R288,R293,R307,R312)]	*NOT available in DP
66	4.0000	PC			RESISTOR;METAL;16Kohm5;1%;0W063;SMD603	[P0A01:01: {4.0}(R241,R252,R317,R328)]	*NOT available in DP
67	2.0000	PC			RESISTOR;METAL;20Kohm;1%;0W063;SMD603	[P0A01:01: {2.0}(R290,R309)]	*NOT available in DP
68	2.0000	PC			RESISTOR;METAL;26Kohm7;1%;0W063;SMD603	[P0A01:01: {2.0}(R245,R321)]	*NOT available in DP
69	4.0000	PC			RESISTOR;METAL;33Kohm2;1%;0W063;SMD603	[P0A01:01: {4.0}(R287,R292,R306,R311)]	*NOT available in DP
70	2.0000	PC			RESISTOR;METAL;40Kohm2;1%;0W063;SMD603	[P0A01:01: {2.0}(R249,R325)]	*NOT available in DP
71	2.0000	PC			RESISTOR;METAL;41Kohm2;1%;0W063;SMD603	[USBIO2CH:00: {2.0}(R2-R3)]	*NOT available in DP
72	2.0000	PC			RESISTOR;METAL;51Kohm1;1%;0W063;SMD603	[P0A01:01: {2.0}(R289,R308)]	*NOT available in DP
73	2.0000	PC			RESISTOR;METAL;80Kohm60;1%;0W063;SMD603	[P0A01:01: {2.0}(R291,R310)]	*NOT available in DP
74	1.0000	PC			RESISTOR;CARBON;0ohm;5%;0W1;SMD805	[DPM6V:00: {1.0}(R1)]	*NOT available in DP
75	1.0000	PC			RESISTOR;CARBON;2ohm2;5%;0W1;SMD805	[DPM6V:00: {1.0}(R12)]	*NOT available in DP
76	1.0000	PC			RESISTOR;CARBON;5ohm1;5%;0W1;SMD805	[DPM6V:00: {1.0}(R7)]	*NOT available in DP
77	1.0000	PC			RESISTOR;CARBON;6ohm8;5%;0W1;SMD805	[SMPSU22:00: {1.0}(R17)]	*NOT available in DP
78	2.0000	PC			RESISTOR;CARBON;22ohm;5%;0W1;SMD805	[P0A01:01: {2.0}(R176,R219)]	*NOT available in DP
79	1.0000	PC			RESISTOR;CARBON;100ohm;5%;0W1;SMD805	[DPM6V:00: {1.0}(R8)]	*NOT available in DP
80	17.0000	PC			RESISTOR;CARBON;120ohm;5%;0W1;SMD805	[SMPSU22:00: {2.0}(R9-R10)]	*NOT available in DP

	Quantity	Unit	S.Sku	M.Sku	Description	Reference Designators	Notes
81	2.0000	PC			RESISTOR;CARBON;150ohm;5%;0W1;SMD805	[DPM6V:00: {2.0}(R3,R5)]	*NOT available in DP
82	1.0000	PC			RESISTOR;CARBON;470ohm;5%;0W1;SMD805	[SMPSU22:00: {1.0}(R24)]	*NOT available in DP
83	1.0000	PC			RESISTOR;CARBON;56ohm;5%;0W1;SMD805	[SMPSU22:00: {1.0}(R25)]	*NOT available in DP
84	1.0000	PC			RESISTOR;CARBON;820ohm;5%;0W1;SMD805	[SMPSU22:00: {1.0}(R23)]	*NOT available in DP
85	2.0000	PC			RESISTOR;CARBON;1Kohm;5%;0W1;SMD805	[DPM6V:00: {1.0}(R13)]	*NOT available in DP
86	16.0000	PC			RESISTOR;CARBON;1Kohm;5%;0W1;SMD805	[POA01:01: {16.0}(R143-R150,R489-R496)]	*NOT available in DP
87	4.0000	PC			RESISTOR;CARBON;2Kohm2;5%;0W1;SMD805	[SMPSU22:00: {4.0}(R7-R8,R14-R15)]	*NOT available in DP
88	1.0000	PC			RESISTOR;CARBON;3Kohm3;5%;0W1;SMD805	[SMPSU22:00: {1.0}(R19)]	*NOT available in DP
89	1.0000	PC			RESISTOR;CARBON;5Kohm1;5%;0W1;SMD805	[POA01:01: {1.0}(R380)]	*NOT available in DP
90	2.0000	PC			RESISTOR;CARBON;10Kohm;5%;0W1;SMD805	[SMPSU22:00: {1.0}(R6)]	*NOT available in DP
91	1.0000	PC			RESISTOR;CARBON;22Kohm;5%;0W1;SMD805	[SMPSU22:00: {1.0}(R22)]	*NOT available in DP
92	4.0000	PC			RESISTOR;CARBON;47Kohm;5%;0W1;SMD805	[SMPSU22:00: {3.0}(R20-R21,R26)]	*NOT available in DP
93	1.0000	PC			RESISTOR;CARBON;100Kohm;5%;0W1;SMD805	[DPM6V:00: {1.0}(R9)]	*NOT available in DP
94	3.0000	PC			RESISTOR;CARBON;680Kohm;5%;0W1;SMD805	[SMPSU22:00: {3.0}(R11-R13)]	*NOT available in DP
95	1.0000	PC			RESISTOR;METAL;2Kohm20;1%;0W1;SMD805	[DPM6V:00: {1.0}(R10)]	*NOT available in DP
96	2.0000	PC			RESISTOR;METAL;10Kohm;1%;0W1;SMD805	[SMPSU22:00: {1.0}(R18)]	*NOT available in DP
97	1.0000	PC			RESISTOR;METAL;56Kohm2;1%;0W1;SMD805	[SMPSU22:00: {1.0}(R16)]	*NOT available in DP
98	2.0000	PC			RESISTOR;ARRAY;220ohm;SMD1206;CAY16-221J4	[POA01:01: {2.0}(R405,R408)]	*NOT available in DP
99	4.0000	PC			RESISTOR;ARRAY;910ohm;SMD1206;CAY16-911J4	[POA01:01: {4.0}(R313-R316)]	*NOT available in DP
100	1.0000	PC			RESISTOR;ARRAY;1Kohm;SMD1206;CAY16-102J4	[POA01:01: {1.0}(R404)]	*NOT available in DP
101	2.0000	PC			RESISTOR;ARRAY;1Kohm30;SMD1206;CAY16-132J4	[POA01:02: {2.0}(R62-R63)]	*NOT available in DP
102	4.0000	PC			RESISTOR;ARRAY;3Kohm9;SMD1206;CAY16-392J4	[POA01:01: {4.0}(R571-R574)]	*NOT available in DP
103	3.0000	PC			RESISTOR;ARRAY;METAL;4Kohm42;1%;SMD1206	[POA01:01: {3.0}(R332-R334)]	*NOT available in DP
104	1.0000	PC			RESISTOR;ARRAY;4Kohm7;SMD1206;CAY16-472J4	[POA01:01: {1.0}(R413)]	*NOT available in DP
105	2.0000	PC			RESISTOR;ARRAY;5Kohm1;SMD1206;CAY16-512J4	[POA01:01: {2.0}(R240,R497)]	*NOT available in DP
106	4.0000	PC			RESISTOR;ARRAY;6Kohm8;SMD1206;CAY16-682J4	[POA01:01: {4.0}(R374-R377)]	*NOT available in DP
107	15.0000	PC			RESISTOR;ARRAY;10Kohm;SMD1206;CAY16-103J4	[POA01:01: {15.0}(R193-R194,R258-R261,R335,R428-R431,R434,R445,R474,R602)]	*NOT available in DP
108	4.0000	PC			RESISTOR;ARRAY;METAL;10Kohm;1%;SMD1206	[POA01:01: {4.0}(R522-R523,R578,R580)]	*NOT available in DP
109	1.0000	PC			RESISTOR;ARRAY;12Kohm;SMD1206;CAY16-123J4	[POA01:01: {1.0}(R546)]	*NOT available in DP
110	2.0000	PC			RESISTOR;ARRAY;METAL;13Kohm3;1%;SMD1206	[POA01:01: {2.0}(R262,R336)]	*NOT available in DP
111	2.0000	PC			RESISTOR;ARRAY;20Kohm;SMD1206;CAY16-203J4	[POA01:01: {2.0}(R473,R498)]	*NOT available in DP
112	3.0000	PC			RESISTOR;ARRAY;36Kohm;SMD1206;CAY16-363J4	[POA01:01: {3.0}(R524,R577,R601)]	*NOT available in DP
113	1.0000	PC			RESISTOR;ARRAY;43Kohm;SMD1206;CAY16-433J4	[POA01:01: {1.0}(R579)]	*NOT available in DP
114	2.0000	PC			RESISTOR;ARRAY;100Kohm;SMD1206;CAY16-104J4	[POA01:01: {1.0}(R603)]	*NOT available in DP
115	1.0000	PC	Y04-00100-23978	I04-00100-23978	THERMISTOR;NTC;10ohm;3A	[SMPSU22:00: {1.0}(R1)]	
116	1.0000	PC			VARIATOR;10 %;470 V;10D471K	[SMPSU22:00: {1.0}(VT1)]	*NOT available in DP
117	1.0000	PC			RESISTOR;CARBON;10ohm;5%;0W25;LEAD WIRE;HORIZONTAL 26-6mm	[00000: {1.0}(R4)]	*NOT available in DP
118	4.0000	PC			RESISTOR;CARBON;22ohm;5%;0W25;LEAD WIRE;HORIZONTAL 26-6mm	[POA01:02: {4.0}(R21-R24)]	*NOT available in DP
119	2.0000	PC			RESISTOR;CARBON;27ohm;5%;0W25;LEAD WIRE;HORIZONTAL 26-6mm	[POA01:01: {2.0}(R54-R55)]	*NOT available in DP
120	2.0000	PC			RESISTOR;METAL;390ohm;1%;0W25;LEAD WIRE;HORIZONTAL 26-6mm	[POA01:01: {2.0}(R50-R51)]	*NOT available in DP
121	2.0000	PC			RESISTOR;METAL;10Kohm;1%;0W25;LEAD WIRE;HORIZONTAL 26-6mm	[POA01:01: {2.0}(R52-R53)]	*NOT available in DP
122	8.0000	PC			RESISTOR;CARBON;510 ohm;0W25;5 %;CARB;HORIZONTAL 26-6mm	[POA01:02: {8.0}(R25,R28-R29,R32-R33,R36-R37,R40)]	*NOT available in DP
123	8.0000	PC			RESISTOR;METAL;825 ohm;0W25;1 %;MET;HORIZONTAL 26-6mm	[POA01:02: {8.0}(R26-R27,R30-R31,R34-R35,R38-R39)]	*NOT available in DP

	Quantity	Unit	S.Sku	M.Sku	Description	Reference Designators	Notes
124	8.0000	PC			RESISTOR;METAL;2.49 kohm;0W25;1 %;MET;HORIZONTAL 26-6mm	[POA01:02: {8.0}{R3-R4,R7-R8,R11-R12,R15-R16}]	*NOT available in DP
125	8.0000	PC			RESISTOR;METAL;3.92 kohm;0W25;1 %;MET;HORIZONTAL 26-6mm	[POA01:02: {8.0}{R41-R48}]	*NOT available in DP
126	12.0000	PC			RESISTOR;METAL;6.81 kohm;0W25;1 %;MET;HORIZONTAL 26-6mm	[POA01:02: {12.0}{R1-R2,R5-R6,R9-R10,R13-R14,R17-R20}]	*NOT available in DP
127	1.0000	PC			RESISTOR;CARBON;220ohm;5%;0W5;LEAD WIRE;RADIAL	[SMPSU22:00: {1.0}{R5}]	*NOT available in DP
128	2.0000	PC			RESISTOR;CARBON;330ohm;5%;0W5;LEAD WIRE;RADIAL	[SMPSU22:00: {2.0}{R2-R3}]	*NOT available in DP
129	1.0000	PC			RESISTOR;CARBON;390ohm;5%;1W;LEAD WIRE	[POA01:02: {1.0}{R49}]	*NOT available in DP

Fader

	Quantity	Unit	S.Sku	M.Sku	Description	Reference Designators	Notes
1	8.0000	PC		I00-73441-02013	FADER;60mm;10Kohm;TAPER:D;MONO;W/O CC;LEVER:4mm*15mm;W/ THREADS M2;(SOUNDWELL SA6005NGA1B-HA1-007)	[POA01:01: {8.0}{VR72-VR75,VR80-VR81,VR83-VR84}]	
2	5.0000	PC	Y00-74451-02012	I00-74451-02012	FADER;60mm;10Kohm;TAPER:D;STEREO;W/O CC;LEVER LENGTH 15mm;(SOUNDWELL SA6005GOA0B-HA1-005)	[POA01:01: {5.0}{VR76-VR79,VR82}]	
3	7.0000	PC	Y00-92951-02422	I00-92951-02422	FADER;30mm;100Kohm;TAPER:W;STEREO;W/CC;(POLYSHINE F-3092E+C+E-W100K1-L9.5(J));RED LED	[POA01:01: {7.0}{VR21-VR27}]	

Potentiometer

	Quantity	Unit	S.Sku	M.Sku	Description	Reference Designators	Notes
1	4.0000	PC		I03-00000-03788	POTENTIOMETER;50 kohm;B;20 %;STEREO;NOBLE(XV012323YGPV30F1B50K/I) SHAFT 30MM	[POA01:01: {4.0}{VR9-VR12}]	
2	12.0000	PC		I03-61245-06649	POTENTIOMETER;50Kohm;TAPER:1B;MONO;SHAFT:30MM;W/ CC;20-100gf;NORMAL TORQUE;(NOBLE XV09213YNPV30F1B50KCC)	[POA01:01: {12.0}{VR13-VR16,VR28-VR31,VR36-VR39}]	
3	17.0000	PC		I03-61245-06653	POTENTIOMETER;50Kohm;TAPER:3B;MONO;SHAFT:30MM;W/ CC;20-100gf;NORMAL TORQUE;(NOBLE XV09213YNPV30F3B50KCC)	[POA01:01: {17.0}{VR44-VR51,VR53-VR60,VR69}]	
4	12.0000	PC		I03-62245-06643	POTENTIOMETER;50Kohm;TAPER:1B;STEREO;W/CC;20-100gf;NORMAL TORQUE;(NOBLE XV012313YGPV30F1B50KCC)	[POA01:01: {12.0}{VR17-VR20,VR32-VR35,VR40-VR43}]	
5	5.0000	PC	Y03-62245-06645	I03-62245-06645	POTENTIOMETER;50Kohm;TAPER:3B;STEREO;SHAFT:30MM;W/CC;20-100gf;NORMAL TORQUE;(NOBLE XV012313YGPV30F3B50KCC)	[POA01:01: {5.0}{VR5-VR8,VR70}]	
6	8.0000	PC		I03-62741-06642	POTENTIOMETER;10Kohm 10Kohm;TAPER:A/C;STEREO;SHAFT:30MM;W/ CC;20-100gf;NORMAL TORQUE;(NOBLE XV012313YGPV30F15AC10KCC)	[POA01:01: {8.0}{VR61-VR68}]	
7	1.0000	PC		I03-63131-06651	POTENTIOMETER;1Kohm;TAPER:15A;MONO;SHAFT:30MM;WO/CC;20-100gf;NORMAL TORQUE;(NOBLE XV09213YNPV30F15A1K)	[POA01:01: {1.0}{VR52}]	
8	4.0000	PC	Y03-85335-01906	I03-63335-06650	POTENTIOMETER;5Kohm;TAPER:C05;MONO;SHAFT:30MM;WO/CC;20-100gf;NORMAL TORQUE;(NOBLE XV09213YNPV30F05C5K)	[POA01:01: {4.0}{VR1-VR4}]	
9	1.0000	PC	Y03-34645-31441	I03-64245-06647	POTENTIOMETER;50Kohm;TAPER:3B;STEREO;SHAFT:30MM;W/O CC;20-100gf;NORMAL TORQUE;(NOBLE XV012313YGPV30F3B50K)	[POA01:01: {1.0}{VR71}]	

Encoder

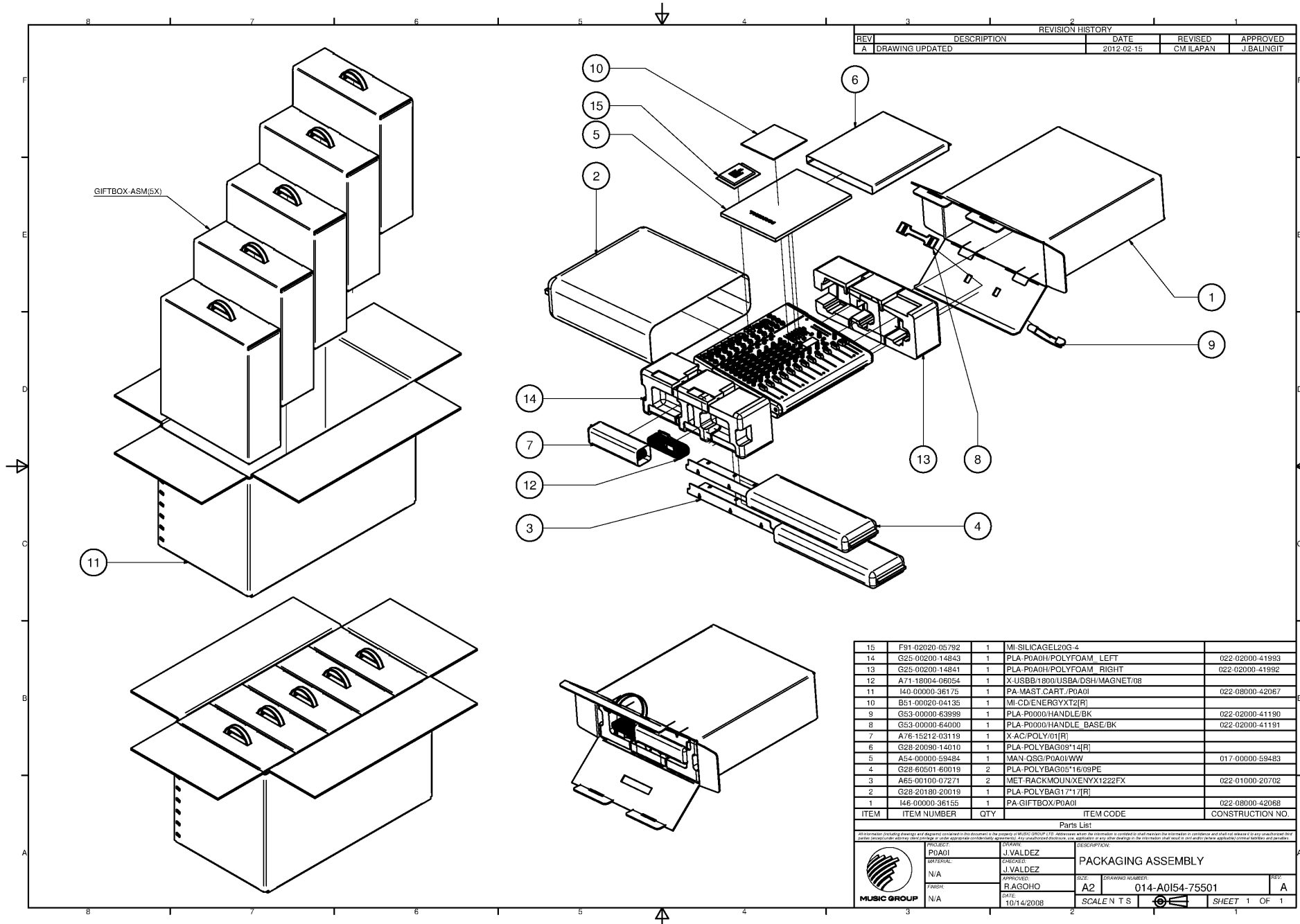
	Quantity	Unit	S.Sku	M.Sku	Description	Reference Designators	Notes
1	1.0000	PC	Y32-32430-24605	I32-92430-02704	ENCODER;12mm;DETENTS:24;PULSES:24;30mm;W/SWITCH;NO NUT/WASHER;(POLYSHINE F-12E55H24B-P+C L30FX12(O))	[POA01:01: {1.0}{SW8}]	

Switch

	Quantity	Unit	S.Sku	M.Sku	Description	Reference Designators	Notes
1	14.0000	PC	Y77-03422-02778	I77-03422-02778	SWITCH;RADIAL;2P2T;PCB VERSION;LOCKING;NONSHORT;RAD2P	[POA01:01: {14.0}(SW1-SW5,SW9,SW11,SW13-SW16,SW21-SW23)]	
2	7.0000	PC	Y77-03442-02780	I77-03442-02780	SWITCH;RADIAL;4P2T;PCB VERSION;LOCKING;NONSHORT;RAD4P	[POA01:01: {7.0}(SW6-SW7,SW12,SW17-SW20)]	
3	1.0000	PC	Y77-03822-02779	I77-03822-02779	SWITCH;RADIAL;2P2T;PCB VERSION;NONLOCK;NONSHORT;RAD2P/NON	[POA01:01: {1.0}(SW10)]	
4	1.0000	PC	Y84-02211-00140	I84-02211-00140	SWITCH;ROCKER;1P1T;WHITE LINE MARKING RADIAL;LOCKING;NONSHORT;APPROVAL: UL94V0;(SOLTEAM MR22-FBBB-F2		
5	1.0000	PC		I84-02211-04984	SWITCH;ROCKER;POLES:1;TOGGLES:1;LOCKING;NONSHORT;SOLDER LUG;(CANAL:MR111-CVN-BBNW)		

Transistor

	Quantity	Unit	S.Sku	M.Sku	Description	Reference Designators	Notes
1	8.0000	PC			TRANSISTOR;TO92_TAPE;PITCH:2.54;3;2SA970GR-TR		*NOT available in DP
2	2.0000	PC			TRANSISTOR;BD239C;TO220	[SMPSU22:00: {1.0}(T3): {1.0}(T1)]	*NOT available in DP
3	1.0000	PC			TRANSISTOR;BD240C;TO220	[{1.0}(T2)]	*NOT available in DP
4	8.0000	PC			TRANSISTOR;2SA970-GR;TAPING;P:2.54MM;TO92	[POA01:02: {8.0}(T1-T8)]	*NOT available in DP
5	8.0000	PC			TRANSISTOR;SOT;3;MBTA06;BRAND:NXP AND INFINEON	[POA01:02: {8.0}(T10-T17)]	*NOT available in DP
6	41.0000	PC			TRANSISTOR;BC846B;SOT;SMD	[SMPSU22:00: {2.0}(T4,T6)]	*NOT available in DP
7	2.0000	PC			TRANSISTOR;BC856B;SOT;SMD	[SMPSU22:00: {1.0}(T5)]	*NOT available in DP
8	1.0000	PC			TRANSISTOR;MPSA56;TO92;TAPING;PITCH:2.54	[POA01:01: {1.0}(T9)]	*NOT available in DP
9	14.0000	PC			TRANSISTOR;MBTA56;SOT	[POA01:01: {14.0}(T23,T36,T48-T58,T75)]	*NOT available in DP
10	4.0000	PC			TRANSISTOR;2SK208;TO-236MOD;SMD	[POA01:01: {4.0}(T44-T47)]	*NOT available in DP
11	0.0000	PC			TRANSISTOR;TIP32C;TO220		*NOT available in DP



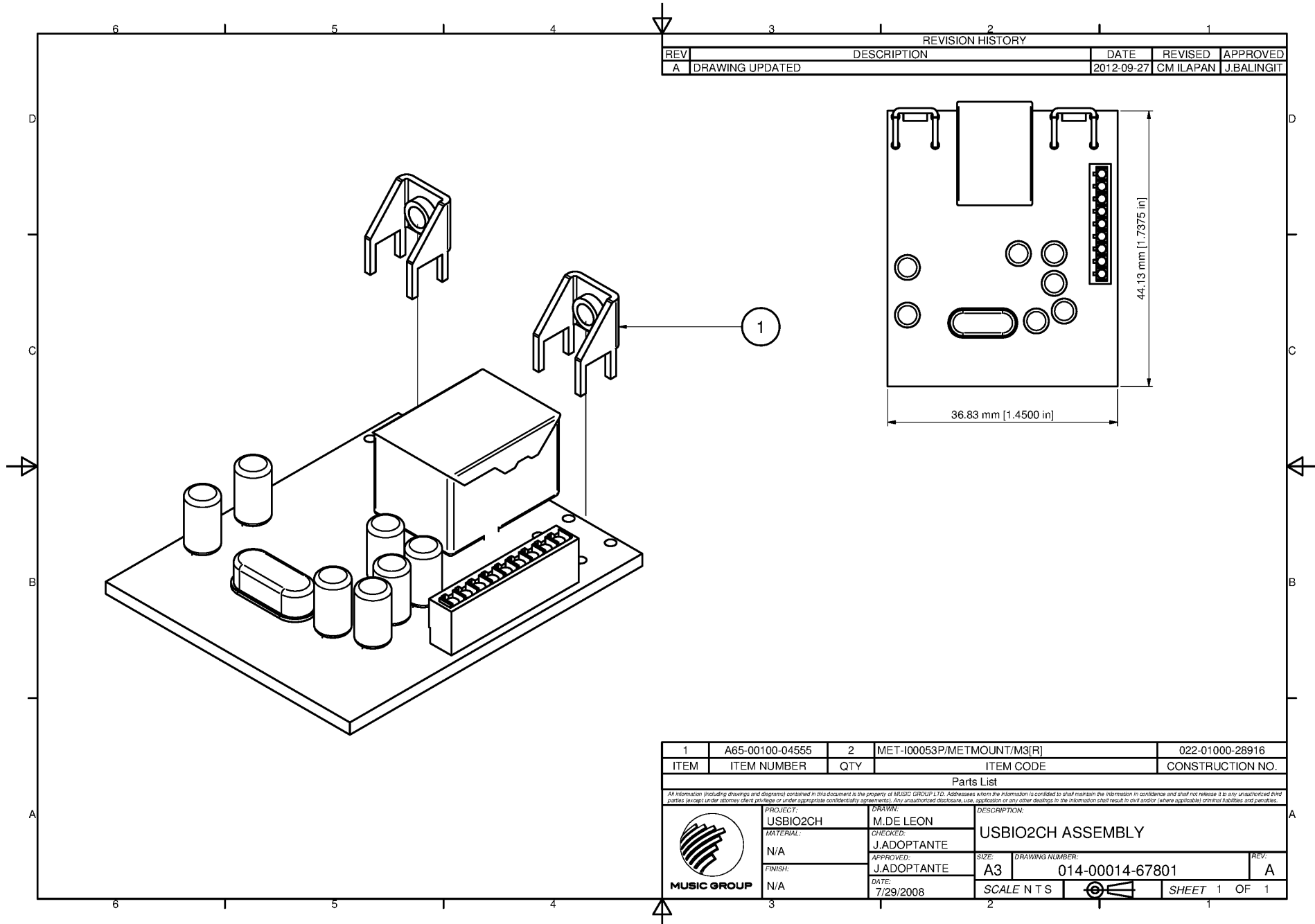
REVISION HISTORY		DATE	REVISED	APPROVED
REV	DESCRIPTION			
A	DRAWING UPDATED	2012.02.15	CM ILAPAN	J.BALINGIT

ITEM	ITEM NUMBER	QTY	DESCRIPTION	CONSTRUCTION NO.
15	F91-02020-05792	1	MI-SILICAGEL20G-4	
14	G25-00200-14843	1	PLA-P0A0H/POLYFOAM LEFT	022-02000-41993
13	G25-00200-14841	1	PLA-P0A0H/POLYFOAM RIGHT	022-02000-41992
12	A71-18004-06054	1	X-USB/1800/USBA/DSH/MAGNET/08	
11	140-00000-36175	1	PA-MAST.CART./P0A0I	022-08000-42067
10	B51-00020-04135	1	MI-CD/ENERGYXT2[R]	
9	G53-00000-63989	1	PLA-P0000/HANDLE/BK	022-02000-41190
8	G53-00000-64000	1	PLA-P0000/HANDLE BASE/BK	022-02000-41191
7	A76-15212-03119	1	X-AC/POLY/01[R]	
6	G28-20090-14010	1	PLA-POLYBAG09*14[R]	
5	A54-00000-59484	1	MAN-QSG/P0A0I/WW	017-00000-59483
4	G28-60501-60019	2	PLA-POLYBAG05*16/09PE	
3	A65-00100-07271	2	MET-RACKMOUNXENYX1222FX	022-01000-20702
2	G28-20180-20019	1	PLA-POLYBAG17*17[R]	
1	146-00000-36155	1	PA-GIFTBOX/P0A0I	022-08000-42068


Parts List

All information (including drawings) and diagrams contained in this document is the property of MUSIC GROUP LTD. Reference will be made to the information contained herein for the purpose of confirmation and shall not be used for any unauthorized copy or reproduction without the prior written consent of MUSIC GROUP LTD. Any unauthorized use, modification or any other change to the information shall result in liability for the user and the provider.

PROJECT: P0A0I	DRAWN: J.VALDEZ	DESCRIPTION: PACKAGING ASSEMBLY
CREATED: N/A	CREATED: J.VALDEZ	SIZE: A2
APPROVED: R.AGOHO	DATE: 10/14/2008	DRAWING NUMBER: 014-A0154-75501
MUSIC GROUP		SCALE: N T S
		SHEET 1 OF 1



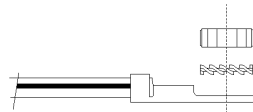
REVISION HISTORY				
REV	DESCRIPTION	DATE	REVISED	APPROVED
A	DRAWING UPDATED	2012-09-27	CM ILAPAN	J.BALINGIT

1	A65-00100-04555	2	MET-I00053P/METMOUNT/M3[R]	022-01000-28916
ITEM	ITEM NUMBER	QTY	ITEM CODE	CONSTRUCTION NO.
Parts List				
<small>All information (including drawings and diagrams) contained in this document is the property of MUSIC GROUP LTD. Addressees whom the information is confided to shall maintain the information in confidence and shall not release it to any unauthorized third parties (except) under attorney client privilege or under appropriate confidentiality agreements. Any unauthorized disclosure, use, application or any other dealings in the information shall result in civil and/or (where applicable) criminal liabilities and penalties.</small>				
 MUSIC GROUP	PROJECT:	USBIO2CH	DESCRIPTION:	
	DRAWN:	M.DE LEON	USBIO2CH ASSEMBLY	
	CHECKED:	J.ADOPTANTE	SIZE:	DRAWING NUMBER:
	MATERIAL:	N/A	A3	014-00014-67801
	APPROVED:	J.ADOPTANTE	SCALE:	N T S
FINISH:	N/A	DATE:	7/29/2008	REV: A
		SHEET 1 OF 1		



option: only for projects with PE-cable to PCB !

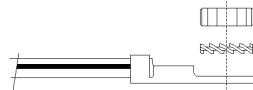
ASSEMBLED CABLE
(Yellow/Green) to PCB



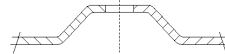
HEX NUT SC-NUHEXM04
WASHER TEETH EXTERNAL SC-WATEEXT4x7x1.7
ASSEMBLED CABLE WITH LUG 4.3mm WI-00/07/xxxx/07/05/00/18/34/00



ASSEMBLED CABLE
(Yellow/Green) to Power Conn.



HEX NUT SC-NUHEXM04
WASHER TEETH EXTERNAL SC-WATEEXT4x7x1.7
ASSEMBLED CABLE WITH LUG 4.3mm WI-00/07/xxxx/07/05/00/18/34/00



METAL CASE

WASHER TEETH EXTERNAL SC-WATEEXT4x7x1.7

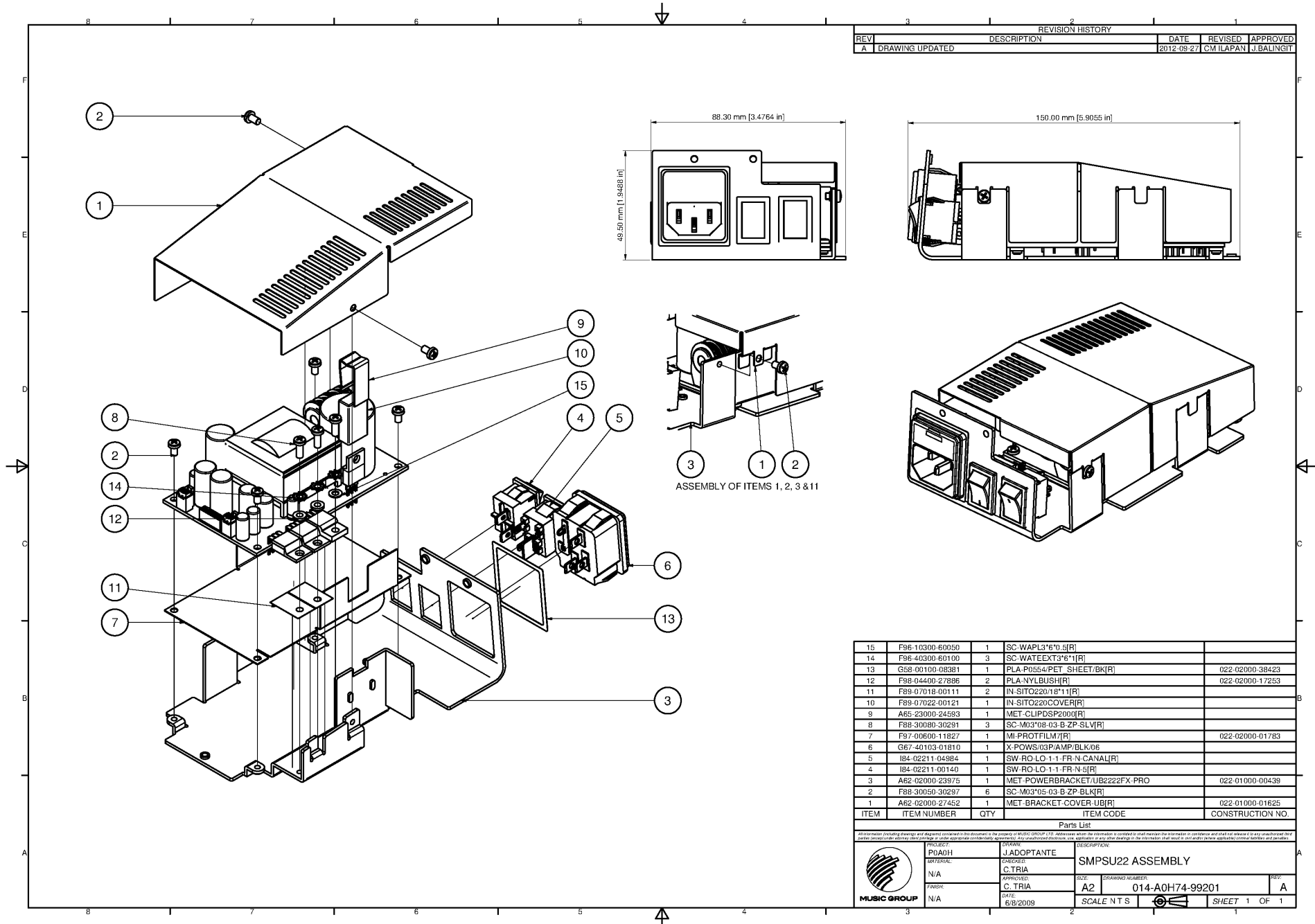


SCREW SC-M04x16-02-B-ZP-SLV
(standard length, can be variable if required)



Part:		Name		Date	Project:
ASSEMBLE DRAWING		Drawn		PEUSE	08.01.1996
		File		R14-ASSEMBLE-PE-SCREW-REVD.DWG	
Drawing-No.:	X	Part-No.:			
		Color of Part			
		Printing			
		Surface			
D	changed from M3 to M4	03.06.2003	SCHOMMER	Scale	
C	add optional block, delete P-IDs	11.03.2002	MERKEL	Material	
B	adjust Part-IDs	11.04.2001	MERKEL	Units	
A		08.01.1996	PEUSE	Behringer	
Rev.	Modification	Date	Name	Part-ID:	DRA-ASSEMBLE/PE-SCREW
					Page 1
					of 1



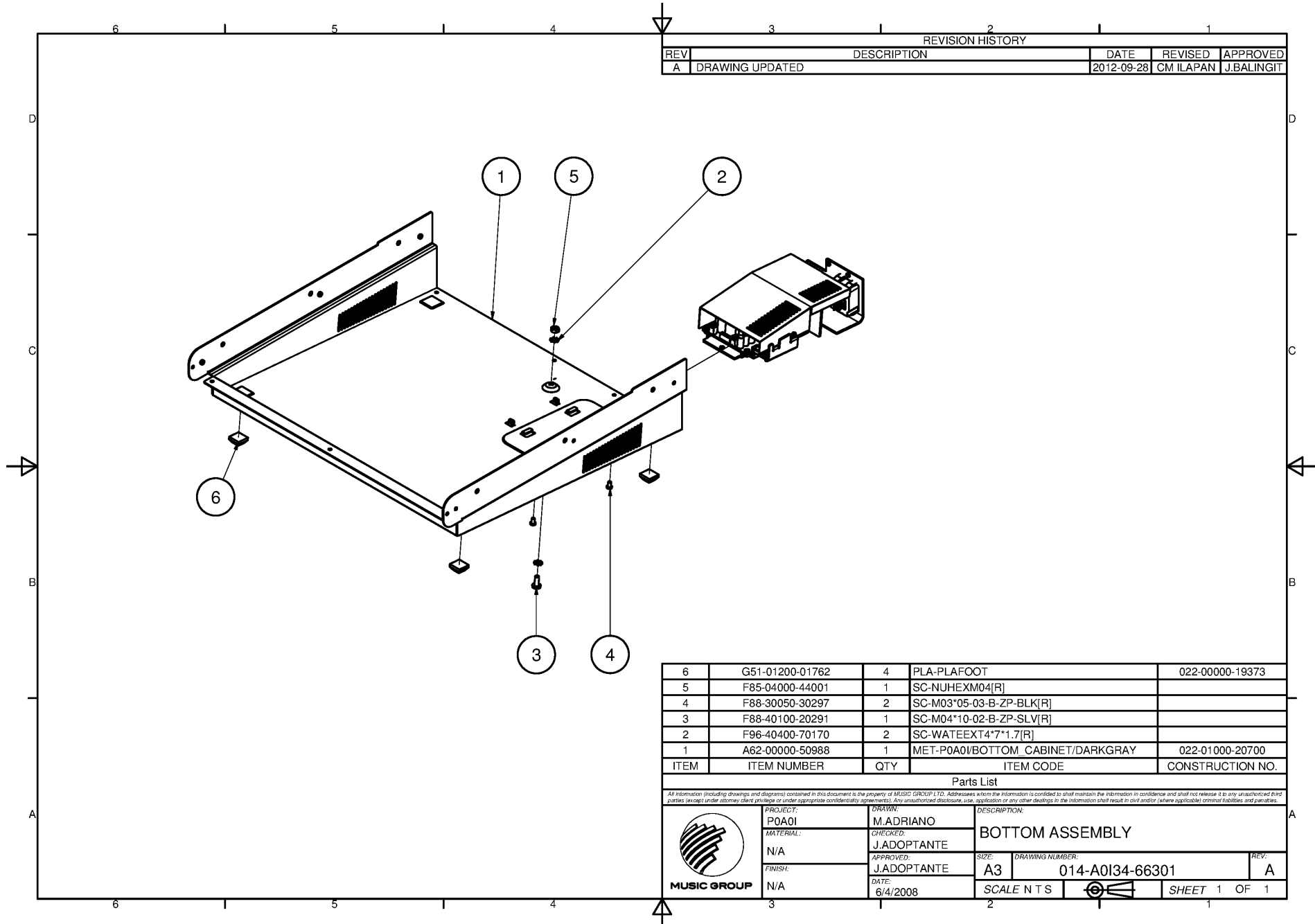


REVISION HISTORY				
REV	DESCRIPTION	DATE	REVISED	APPROVED
A	DRAWING UPDATED	2012-08-27	CM LAPAN	J.BALINGIT

ITEM	ITEM NUMBER	QTY	DESCRIPTION	CONSTRUCTION NO.
15	F96-10300-60050	1	SC-WAPL3*6*0.5[R]	
14	F96-40300-60100	3	SC-WATEEXT3*6*1[R]	
13	G58-00100-08381	1	PLA-P0554/PET SHEET/BK[R]	022-02000-38423
12	F98-04400-27896	2	PLA-NYLBUSH[R]	022-02000-17253
11	F89-07018-00111	2	IN-SITO220/18*1[R]	
10	F89-07022-00121	1	IN-SITO220COVER[R]	
9	A65-23000-24593	1	MET-CLIPDSP2000[R]	
8	F88-30080-30291	3	SC-M03*08-03-B-ZP-SLV[R]	
7	F97-00600-11827	1	MI-PROTFILM7[R]	022-02000-01783
6	G67-40103-01810	1	X-POWS/03P/AMP/BLK/06	
5	I84-02211-04984	1	SW-RO-LO-1-1-FR-N-CANAL[R]	
4	I84-02211-00140	1	SW-RO-LO-1-1-FR-N-5[R]	
3	A62-02000-23975	1	MET-POWERBRACKET/UB2222FX-PRO	022-01000-00439
2	F88-30050-30297	6	SC-M03*05-03-B-ZP-BLK[R]	
1	A62-02000-27452	1	MET-BRACKETCOVER-UB[R]	022-01000-01625

Parts List

PROJECT: P040H	APPROVED: C.TRIA	DATE: 6/8/2009	DESCRIPTION: SMPSU22 ASSEMBLY
DESIGNED: J.ADOPTANTE	DATE: 6/8/2009	SCALE: N T S	SHEET 1 OF 1



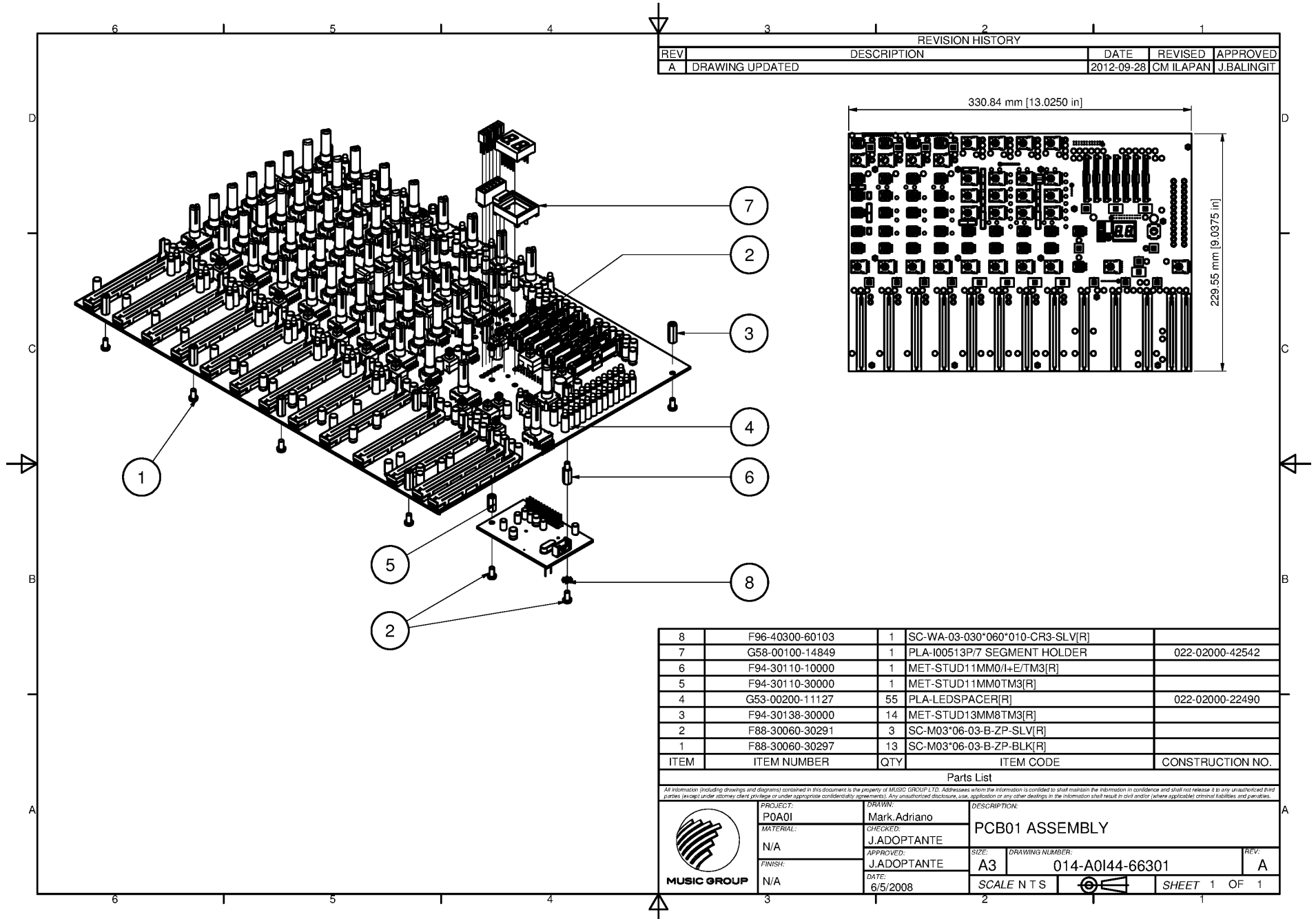
REVISION HISTORY				
REV	DESCRIPTION	DATE	REVISD	APPROVED
A	DRAWING UPDATED	2012-09-28	CM ILAPAN	J.BALINGIT

ITEM	ITEM NUMBER	QTY	ITEM CODE	CONSTRUCTION NO.
6	G51-01200-01762	4	PLA-PLAFOOT	022-00000-19373
5	F85-04000-44001	1	SC-NUHEXM04[R]	
4	F88-30050-30297	2	SC-M03*05-03-B-ZP-BLK[R]	
3	F88-40100-20291	1	SC-M04*10-02-B-ZP-SLV[R]	
2	F96-40400-70170	2	SC-WATEEXT4*7*1.7[R]	
1	A62-00000-50988	1	MET-P0A01/BOTTOM CABINET/DARKGRAY	022-01000-20700

Parts List

All information (including drawings and diagrams) contained in this document is the property of MUSIC GROUP LTD. Addressees whom the information is confided to shall maintain the information in confidence and shall not release it to any unauthorized third parties (except under attorney client privilege or under appropriate confidentiality agreements). Any unauthorized disclosure, use, application or any other dealings in the information shall result in civil and/or (where applicable) criminal liabilities and penalties.

	PROJECT:	P0A01	DRAWN:	M.ADRIANO	DESCRIPTION:			
	MATERIAL:	N/A	CHECKED:	J.ADOPTANTE	BOTTOM ASSEMBLY			
	FINISH:	N/A	APPROVED:	J.ADOPTANTE	SIZE:	A3		
	DATE:	6/4/2008	DATE:	6/4/2008	DRAWING NUMBER:	014-A0134-66301		
				SCALE:	N T S	REV:	A	
				SHEET		1	OF	1



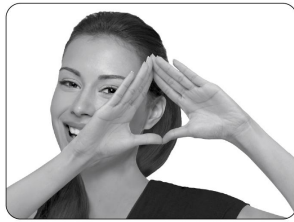
REVISION HISTORY				
REV	DESCRIPTION	DATE	REVISED	APPROVED
A	DRAWING UPDATED	2012-09-28	CM ILAPAN	J.BALINGIT

ITEM	ITEM NUMBER	QTY	ITEM CODE	CONSTRUCTION NO.
8	F96-40300-60103	1	SC-WA-03-030*060*010-CR3-SLV[R]	
7	G58-00100-14849	1	PLA-I00513P/7 SEGMENT HOLDER	022-02000-42542
6	F94-30110-10000	1	MET-STUD11MM0/I+E/TM3[R]	
5	F94-30110-30000	1	MET-STUD11MM0TM3[R]	
4	G53-00200-11127	55	PLA-LEDSPACER[R]	022-02000-22490
3	F94-30138-30000	14	MET-STUD13MM8TM3[R]	
2	F88-30060-30291	3	SC-M03*06-03-B-ZP-SLV[R]	
1	F88-30060-30297	13	SC-M03*06-03-B-ZP-BLK[R]	

Parts List

All information (including drawings and diagrams) contained in this document is the property of MUSIC GROUP LTD. Addressees whom the information is confided to shall maintain the information in confidence and shall not release it to any unauthorized third parties (except under attorney client privilege or under appropriate confidentiality agreements). Any unauthorized disclosure, use, application or any other dealings in the information shall result in civil and/or (where applicable) criminal liabilities and penalties.

	PROJECT:	POA01	DESIGNER:	Mark, Adriano	DESCRIPTION:	PCB01 ASSEMBLY		
	MATERIAL:	N/A	CHECKED:	J.ADOPTANTE	SIZE:	A3	DRAWING NUMBER:	014-A0144-66301
	FINISH:	N/A	APPROVED:	J.ADOPTANTE	SCALE:	N T S	REV:	A
	DATE:	6/5/2008			SHEET:	1	OF:	1



We Hear You