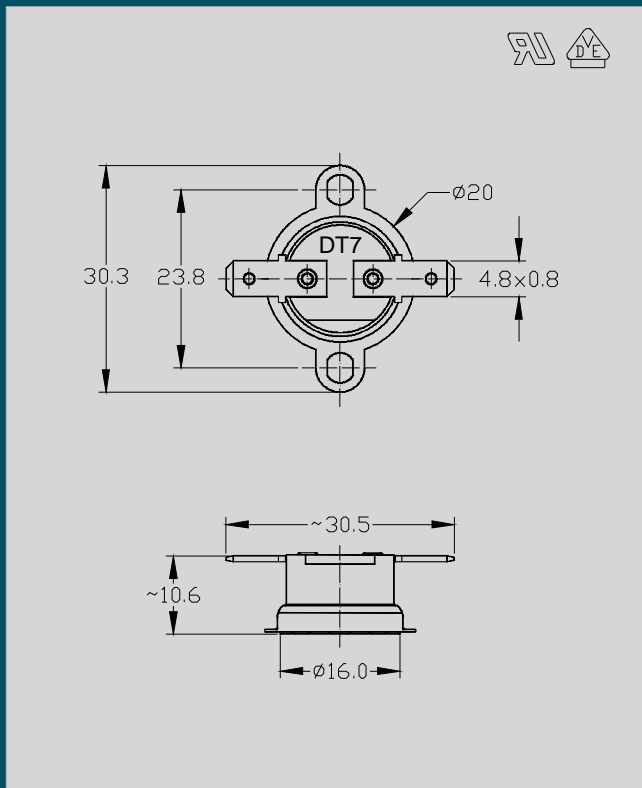


# DT7

## Fixed Temperature Bimetallic Thermostat

### Dimensions



### Application

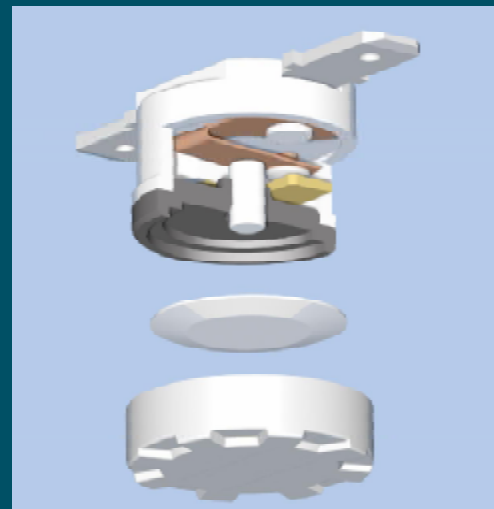
Especially for coffee makers, toasters and other designs where the fixed temperature of a metal surface is to be controlled.

### Function

The bimetallic disc snaps as soon as the set temperature is reached and opens the circuit. It snaps back when the temperature has dropped by the differential controlled by the product design.

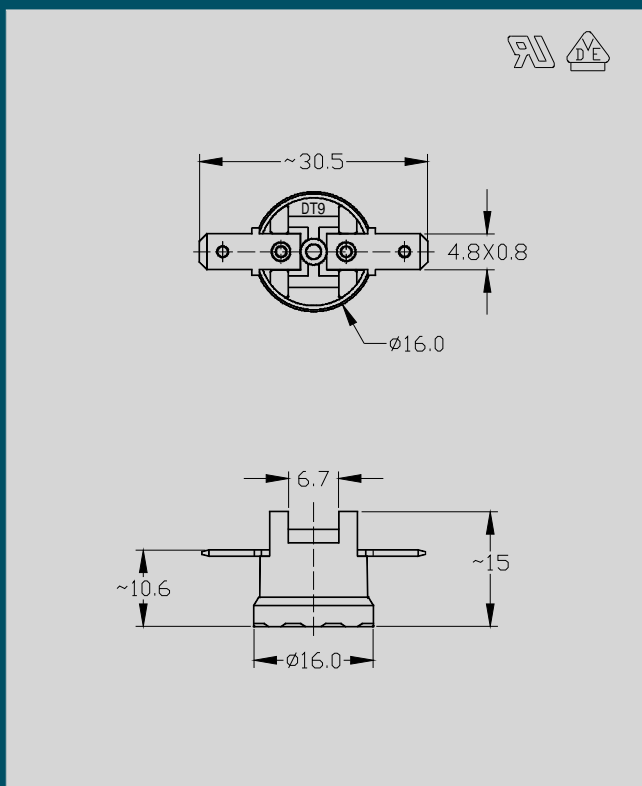
### Features

- Manufactured and inspected by automated equipment
- Reliable ceramics housing
- Easy mounting
- Solid construction
- Compact size



# DT9

### Dimensions



### Specifications

Rated voltage	AC 250V 10A(VDE)
Rated current	AC 120V 12A(UL)
Test class	100,000 cycles
Maximum temperature	T 250
Operating temperature	max. 185° C
Tolerance	+/-5° C
Proof tracking index	PTI 250
Design	Complies to EN 60730 UL 873