



# Service Manual

Created: 15 March 2015



## ULTRABASS BXD3000H

**Ultra-Lightweight 300-Watt 2-Channel Bass Amplifier Head with FBQ Spectrum Analyzer, Ultrabass Processor and Compressor**

|                        |    |
|------------------------|----|
| Specifications .....   | 2  |
| PCB Schematic .....    | 3  |
| Parts List .....       | 8  |
| Exploded Drawing ..... | 23 |

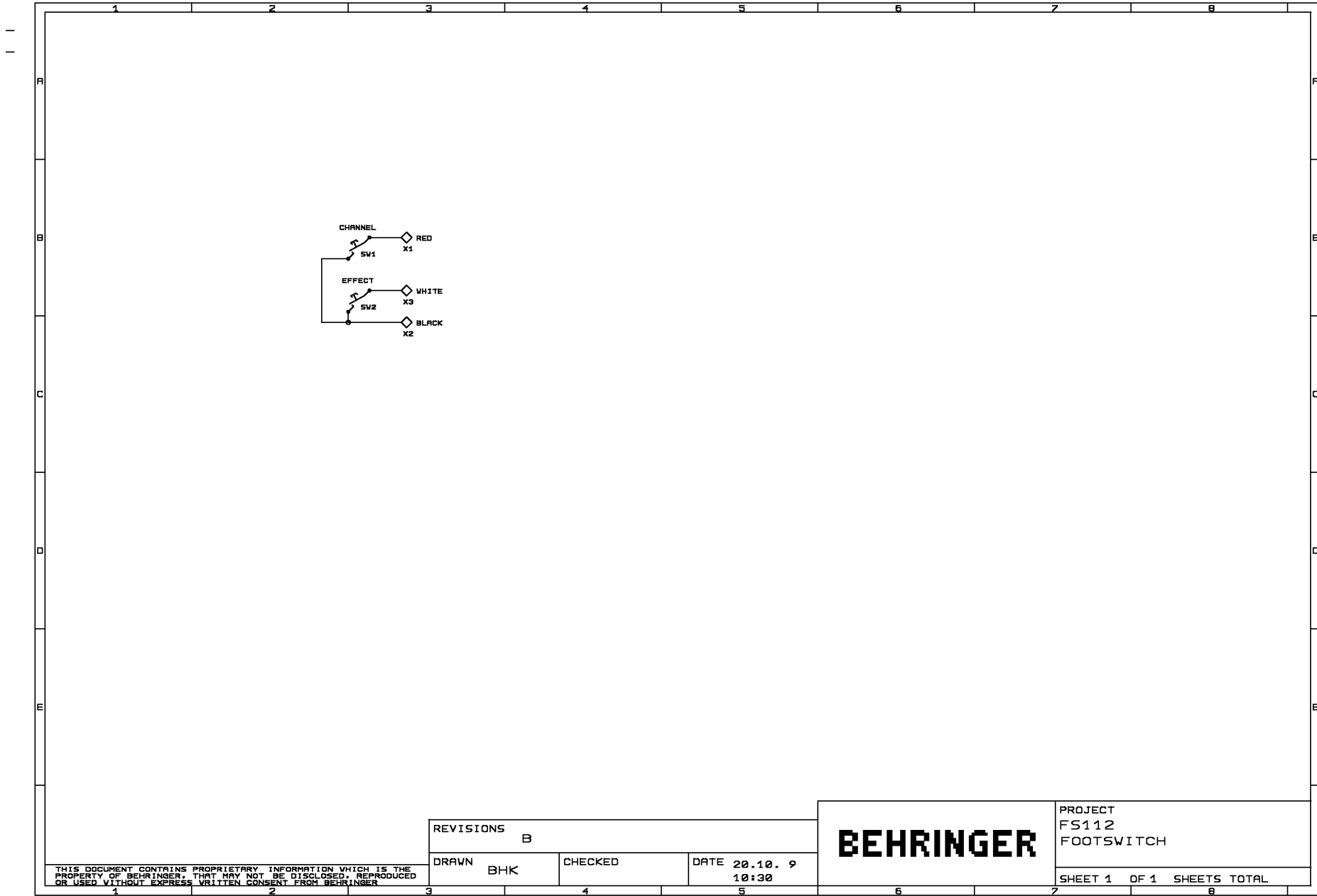
behringer.com

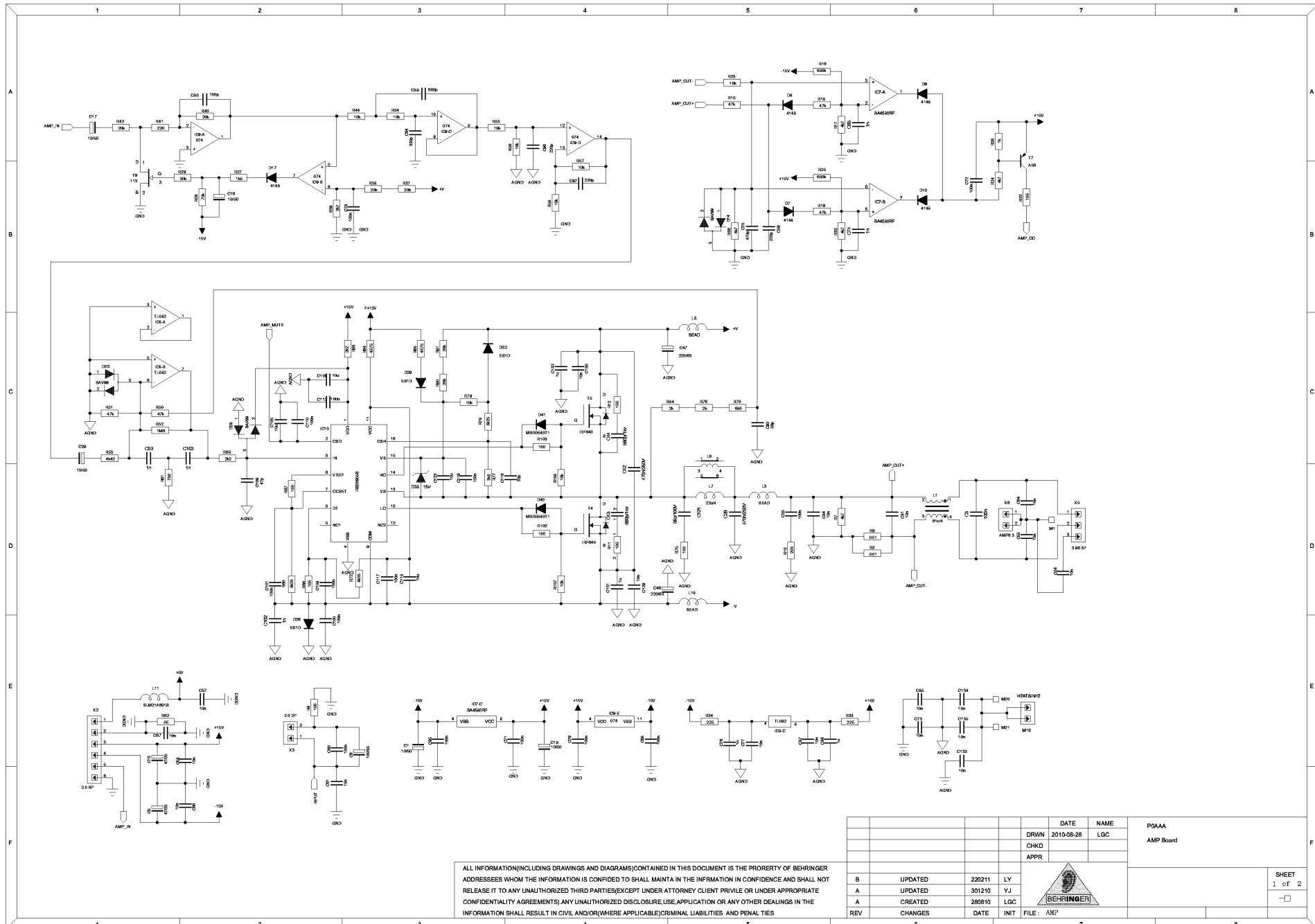


# ULTRABASS BXD3000H

## Specifications

- Ultra-compact 300-Watt 2-channel bass amplifier
- Revolutionary Class-D amplifier technology: enormous power, incredible sonic performance and ultra-lightweight
- Clean channel with dedicated Gain control
- Distortion channel with dedicated Gain, Shape and Level controls
- Ultra-musical, active 7-band graphic EQ with FBQ Spectrum Analyzer
- Revolutionary "see what you play" FBQ frequency indicator for instant sound shaping
- Switchable Ultrabass subharmonics processor for unbelievable low-end power
- Integrated Compressor smooths out volume peaks when playing dynamic slaps
- Dual footswitch for channel select and Ultrabass function included
- Separate Headphone output—perfect for quiet practicing
- Balanced XLR DI and Line outputs for direct connection to your mixing console
- CD input allows you to play along to your favorite music
- Dedicated FX Insert for external effects devices (stomp boxes, rack effects, etc.)
- Rack mount brackets included
- "Planet Earth" switching power supply for maximum flexibility (100 - 240 V~), noise-free audio, superior transient response plus low power consumption for energy saving
- High-quality components and exceptionally rugged construction ensure long life
- Conceived and designed by BEHRINGER Germany



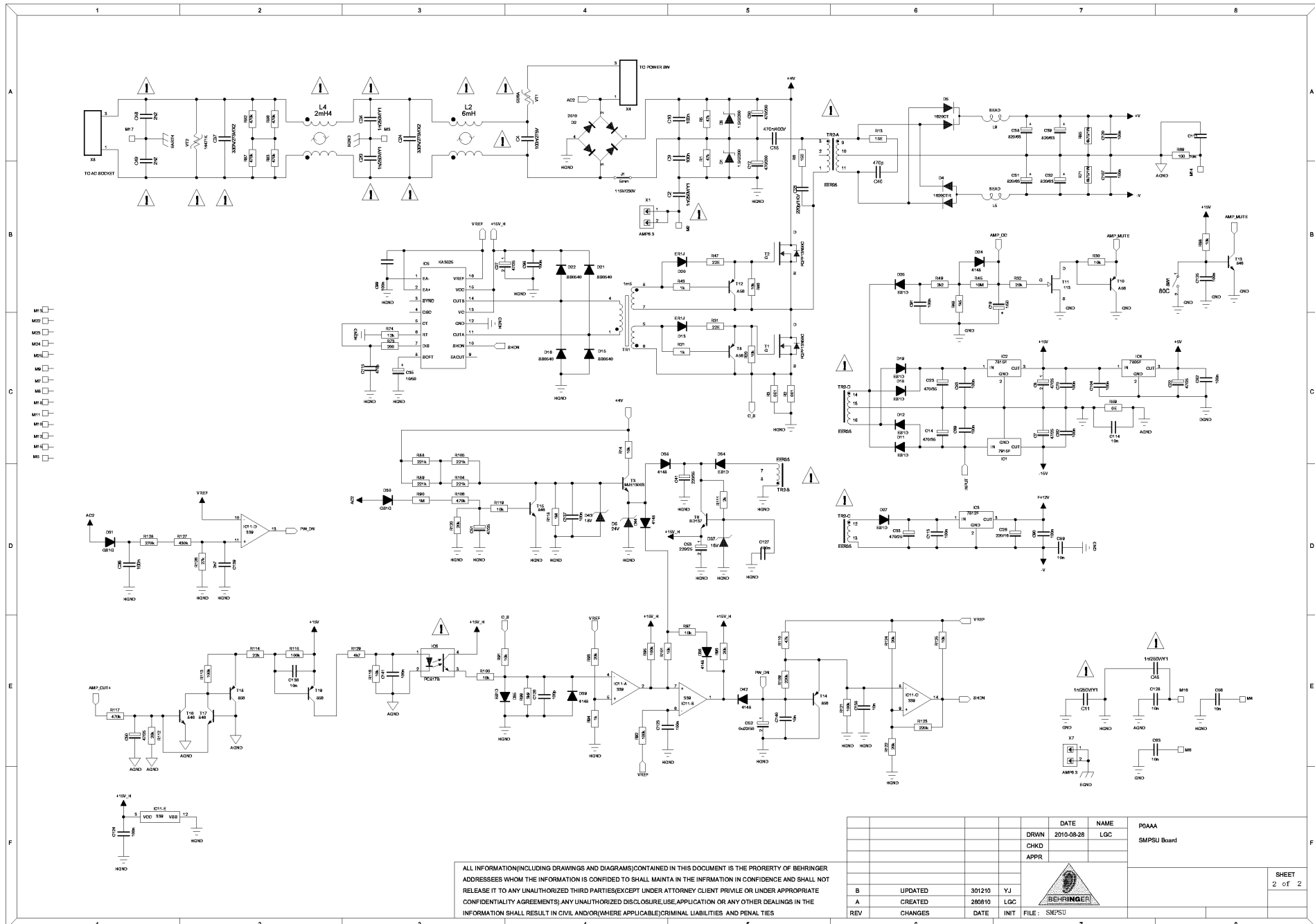


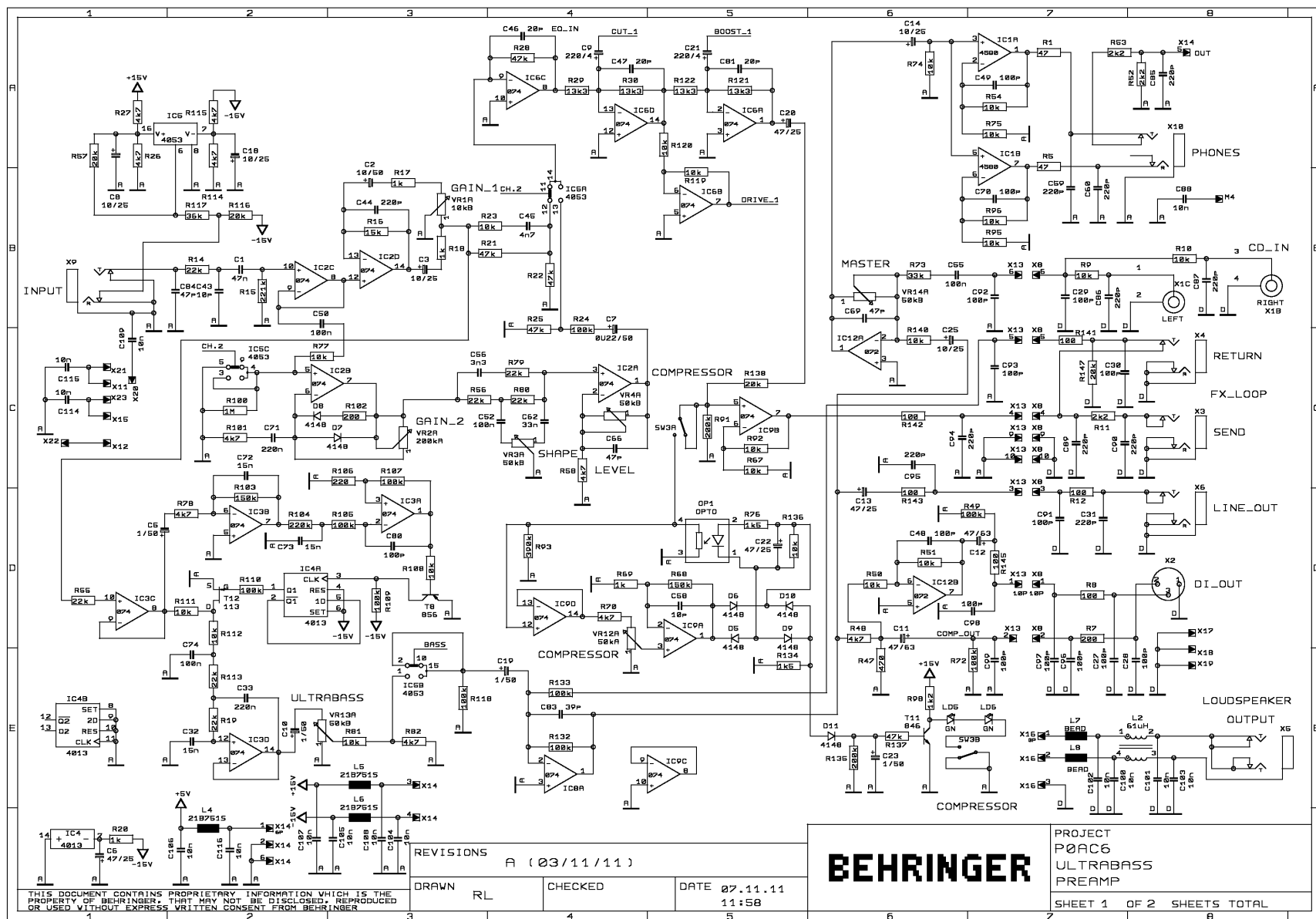
ALL INFORMATION (INCLUDING DRAWINGS AND DIAGRAMS) CONTAINED IN THIS DOCUMENT IS THE PROPERTY OF BEHRINGER ADDRESSEES WHOM THE INFORMATION IS CONFIDED TO SHALL MAINTAIN THE INFORMATION IN CONFIDENCE AND SHALL NOT RELEASE IT TO ANY UNAUTHORIZED THIRD PARTIES (EXCEPT UNDER ATTORNEY CLIENT PRIVILEGE OR UNDER APPROPRIATE CONFIDENTIALITY AGREEMENTS). ANY UNAUTHORIZED DISCLOSURE, USE, APPLICATION OR ANY OTHER DEALINGS IN THE INFORMATION SHALL RESULT IN CIVIL AND/OR (WHERE APPLICABLE) CRIMINAL LIABILITIES AND PENALTIES

| REV | CHANGES | DATE   | INIT | FILE | DATE | NAME       | P0AAA     |
|-----|---------|--------|------|------|------|------------|-----------|
| B   | UPDATED | 220211 | LY   |      | DRWN | 2010-08-28 | LGC       |
| A   | UPDATED | 301210 | YJ   |      | CHKD |            |           |
| A   | CREATED | 290810 | LGC  |      | APPR |            |           |
|     |         |        |      |      |      |            | AMP Board |

|       |  |  |                                    |
|-------|--|--|------------------------------------|
| SHEET |  |  | 1 of 2<br><input type="checkbox"/> |
| AMP   |  |  |                                    |



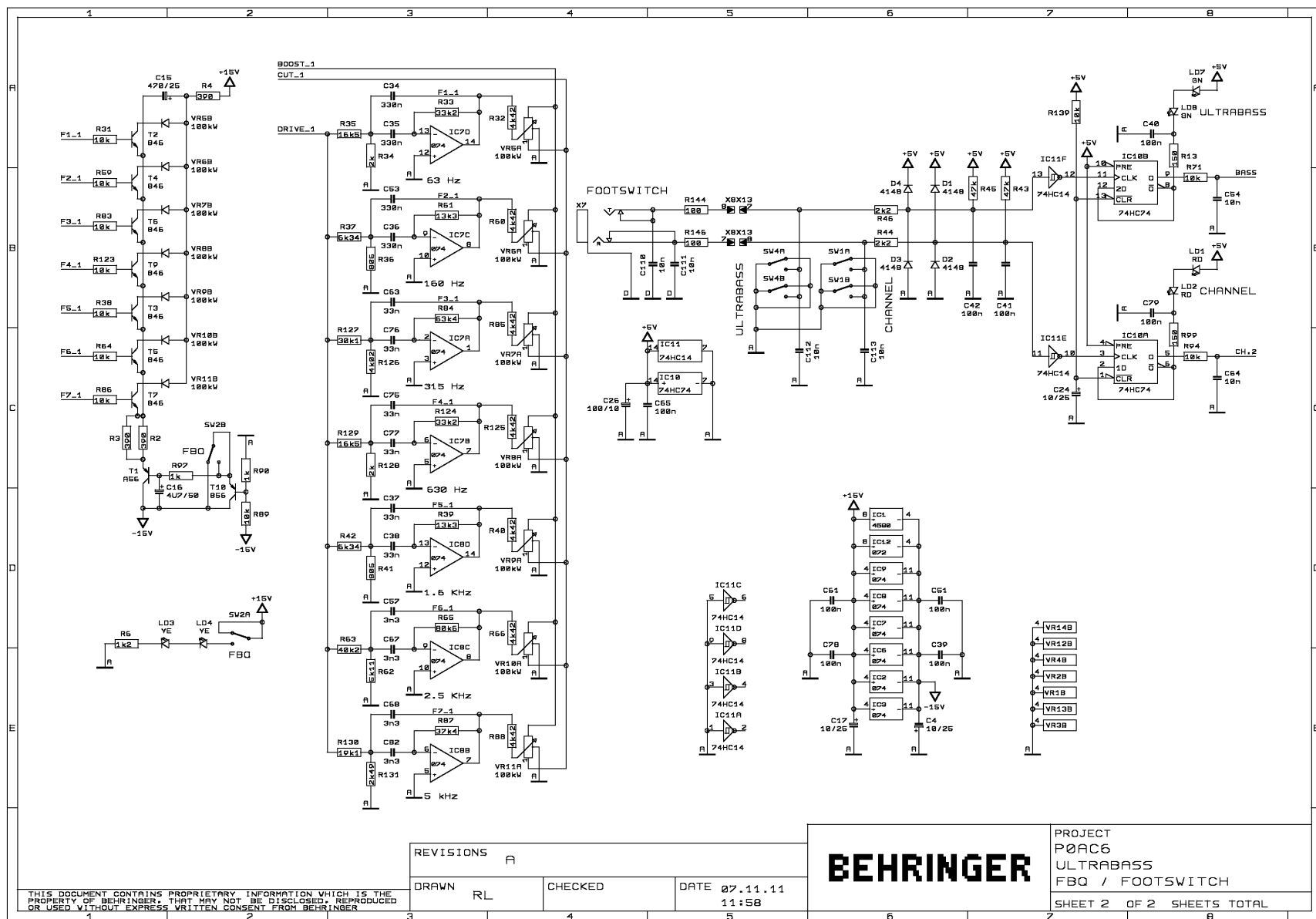


REVISIONS A (03/11/11)  
DRAWN RL CHECKED DATE 07.11.11 11:58

**BEHRINGER**

PROJECT P0AC6  
ULTRABASS  
PREAMP

SHEET 1 OF 2 SHEETS TOTAL



|           |    |          |
|-----------|----|----------|
| REVISIONS |    | A        |
| DRAWN     | RL | CHECKED  |
| DATE      |    | 07.11.11 |
|           |    | 11:58    |

**BEHRINGER**

PROJECT  
P0AC6  
ULTRABASS  
FBQ / FOOTSWITCH

SHEET 2 OF 2 SHEETS TOTAL

THIS DOCUMENT CONTAINS PROPRIETARY INFORMATION WHICH IS THE PROPERTY OF BEHRINGER. THAT MAY NOT BE DISCLOSED, REPRODUCED OR USED WITHOUT EXPRESS WRITTEN CONSENT FROM BEHRINGER.

**Hi Pcb Assemblies**

|   | Quantity | Unit | S.Sku | M.Sku           | Description                     | Reference Designators | Notes |
|---|----------|------|-------|-----------------|---------------------------------|-----------------------|-------|
| 1 | 1.0000   | PC   |       | A05-AAA04-00102 | PCB ASSEMBLY;POAAA;4;B;HI;AMP   |                       |       |
| 2 | 1.0000   | PC   |       | A05-AC601-00101 | PCB ASSEMBLY;POAC6;1;A;HI;FRONT |                       |       |
| 3 | 1.0000   | PC   |       | A05-AC602-00101 | PCB ASSEMBLY;POAC6;2;A;HI;REAR  |                       |       |

**Service Assemblies**

|   | Quantity | Unit | S.Sku           | M.Sku           | Description                                 | Reference Designators | Notes |
|---|----------|------|-----------------|-----------------|---|-----------------------|-------|
| 1 |          |      | Q04-AC601-00000 | A04-AC601-00000 | SUB ASSEMBLY;POAC6;EU;AMP_PSU;EU-UK-SAA-CCC | [EXTRA SPARE]         |       |
| 2 |          |      | Q04-AC602-00000 | A04-AC602-00000 | SUB ASSEMBLY;POAC6;UL;AMP_PSU;UL-JP         | [EXTRA SPARE]         |       |

**Cable**

|    | Quantity | Unit | S.Sku           | M.Sku           | Description   | Reference Designators  | Notes    |
|----|----------|------|-----------------|-----------------|---|------------------------|----------|
| 1  | 0.3500   | M    |                 | A74-00000-00710 | WIRE;RAW FLAT CABLE;UL2651;AWG:28;POLES:10;GRAY;PIN1:RED;PITCH:1mm27                                      |                        |          |
| 2  | 1.0000   | PC   |                 | A74-00000-40806 | CABLE;FLAT;AWG:28;UL2651;2.54 MM;10;PIN1 RED;300 MM;Cable add length 220mm for shrinkable tube            | [POAC6:02: {1.0}(X8)]  |          |
| 3  | 1.0000   | PC   |                 | A81-00000-20058 | WIRE HARNESS;AWG:18;UL 1672;3.96 MM;3;190 MM;PIN1 RED;JS1 121-03P;NO PIN2;S/T:7mm                         |                        |          |
| 4  | 1.0000   | PC   |                 | A81-00000-27652 | WIRE HARNESS;AWG:18;UL 1672;3.96 MM;3;50 MM;PIN1 RED;JS1 121;S/T:7mm;NO PIN2                              |                        |          |
| 5  | 1.0000   | PC   |                 | A81-00000-37681 | WIRE HARNESS;AWG:26;UL2547;2 MM;6;300 MM;PIN1 RED;A2006H;P1018;SHIELD PIN6;ADD SHRINKABLE TUBE            | [POAC6:01: {1.0}(X14)] |          |
| 6  | 1.0000   | PC   |                 | A81-00000-37682 | WIRE HARNESS;AWG:18;UL2464;3.96 MM;3;300 MM;PIN1 RED;JS1 121;JS4008;SHIELD PIN3                           | [POAC6:02: {1.0}(X16)] |          |
| 7  | 1.0000   | PC   | Q89-50031-04316 | A89-50031-04316 | FOOTSWITCH CABLE;FS112;LENGTH:5000mm;POLES:3;COLOR:BLK;SPEC.NO:04316                                      |                        |          |
| 8  | 1.0000   | PC   | Q76-15222-06417 | A76-15222-06417 | CABLE;AC-CORD;W/POLYBAG;LENGTH:152cm;AWG:18;VERSION;UL;SPEC.NO:06417                                      |                        | (UL)     |
| 9  | 1.0000   | PC   | Q76-15212-03119 | A76-15212-03119 | CABLE;AC-CORD;W/POLYBAG;LENGTH:152cm;H05VV-F 3G 0.75MM2;VERSION;EU;SPEC.NO:03119                          |                        | (EU)     |
| 10 | 1.0000   | PC   | Q76-00000-13573 | A76-00000-13573 | CABLE;AC-CORD;3;AR;1500 MM;Plug + Connector:321+730;H05VV-F 3G0.75  |                        | (AR)     |
| 11 | 1.0000   | PC   | Q76-15042-05624 | A76-15042-05624 | CABLE;AC-CORD;W/POLYBAG;LENGTH:150cm;H05VV-F3G0.75MM2;VERSION;UK;SPEC.NO:05624                            |                        | (UK)     |
| 12 | 1.0000   | PC   | Q76-00000-05305 | A76-00000-05305 | CABLE;AC-CORD;3;BR;1500 MM;Plug + Connector:375+730;H05VV-F 3G0.75  |                        | (BR)     |
| 13 | 1.0000   | PC   | Q76-18050-47490 | A76-18050-47490 | CABLE;AC-CORD;LENGTH:180cm;VERSION:SAA;PLUG:HE105 ISOLATED;SAA H05VV-F 3x0.75mm2;CONN.HP-3;SPEC.NO:47490  |                        | (SAA)    |
| 14 | 1.0000   | PC   | Q76-15032-55649 | A76-15032-55649 | CABLE;AC-CORD;CLASS II;W/POLYBAG;JAPAN;LENGTH:150cm;POLES:3;APPROVAL:PSE;JS155 3 + VCTF 3x0.75mm2 + V1528 |                        | (HM, SH) |



Capacitor

|    | Quantity | Unit | S.Sku | M.Sku | Description   | Reference Designators  | Notes                |
|----|----------|------|-------|-------|---|--|----------------------|
| 1  | 2.0000   | PC   |       |       | CAP E;220uF;4V;PITCH:2mm5;5mm x 11mm;VERTICAL 12.7-15-9mm                 | [P0AC6:01: {2.0}(C9,C21)]  | *NOT available in DP |
| 2  | 1.0000   | PC   |       |       | CAP E;100uF;10V;PITCH:2mm5;5mm x 11mm;VERTICAL 12.7-15-9mm                | [P0AC6:01: {1.0}(C26)]   | *NOT available in DP |
| 3  | 1.0000   | PC   |       |       | CAP E;220uF;16V;PITCH:2mm5;6.3mm x 12mm;VERTICAL 12.7-15-9mm              | [P0AAA:04: {1.0}(C26)]   | *NOT available in DP |
| 4  | 8.0000   | PC   |       |       | CAP E;10uF;25V;PITCH:2mm5;5mm x 11mm;VERTICAL 12.7-15-9mm                 | [P0AC6:01: {8.0}(C3-C4,C8,C14,C17-C18,C24-C25)]  | *NOT available in DP |
| 5  | 12.0000  | PC   |       |       | CAP E;47uF;25V;PITCH:2mm5;5mm x 11mm;VERTICAL 12.7-15-9mm                 | [P0AC6:01: {4.0}(C6,C13,C20,C22)]  | *NOT available in DP |
| 6  | 1.0000   | PC   |       |       | CAP E;220uF;25V;PITCH:5mm;8mm x 12mm;VERTICAL 12.7-15-9mm                 | [P0AAA:04: {1.0}(C53)]   | *NOT available in DP |
| 7  | 1.0000   | PC   |       |       | CAP E;470uF;25V;PITCH:5mm;10mm x 16mm;VERTICAL 12.7-15-9mm                | [P0AC6:01: {1.0}(C15)]   | *NOT available in DP |
| 8  | 2.0000   | PC   |       |       | CAP E;220nF;50V;PITCH:2mm5;5mm x 11mm;VERTICAL 12.7-15-9mm                | [P0AC6:01: {1.0}(C7)]  | *NOT available in DP |
| 9  | 4.0000   | PC   |       |       | CAP E;1uF;50V;PITCH:2mm5;5mm x 11mm;VERTICAL 12.7-15-9mm                  | [P0AC6:01: {4.0}(C5,C10,C19,C23)]  | *NOT available in DP |
| 10 | 1.0000   | PC   |       |       | CAP E;4uF;7.50V;PITCH:2mm5;5mm x 11mm;VERTICAL 12.7-15-9mm                | [P0AC6:01: {1.0}(C16)]   | *NOT available in DP |
| 11 | 7.0000   | PC   |       |       | CAP E;10uF;50V;PITCH:2mm5;5mm x 11mm;VERTICAL 12.7-15-9mm                 | [P0AC6:01: {1.0}(C2)]  | *NOT available in DP |
| 12 | 2.0000   | PC   |       |       | CAP E;47uF;6.3V;PITCH:2mm5;6mm x 11mm;VERTICAL 12.7-15-9mm                | [P0AC6:01: {2.0}(C11-C12)]   | *NOT available in DP |
| 13 | 1.0000   | PC   |       |       | CAP E;220 uF;35 V;8X14;PITCH:5 MM;VERTICAL 12.7-15-9mm                    | [P0AAA:04: {1.0}(C41)]   | *NOT available in DP |
| 14 | 1.0000   | PC   |       |       | CAP E;100 uF;35 V;20 %;8mm x 12mm;VERTICAL 12.7-15-9mm                    | [P0AAA:04: {1.0}(C6)]  | *NOT available in DP |
| 15 | 4.0000   | PC   |       |       | CAP CER;10nF;100V;10%;PITCH:5mm;DISC;VERTICAL 12.7-15-9mm                 | [P0AC6:02: {4.0}(C100-C103)]   | *NOT available in DP |
| 16 | 1.0000   | PC   |       |       | CAP CER;100nF;100V;20%;PITCH:5mm;DISC;VERTICAL 12.7-15-9mm                | [P0AAA:04: {1.0}(C3)]  | *NOT available in DP |
| 17 | 1.0000   | PC   |       |       | CAP CER;220pF;1KV;Y5P;10%;PITCH:5mm;DISC;VERTICAL 12.7-15-9mm             | [P0AAA:04: {1.0}(C21)]   | *NOT available in DP |
| 18 | 4.0000   | PC   |       |       | CAP CER;10uF;10V;X5R;10%;SMT1206;HICAP SERIES;(MURATA GRM31CR61A106KA01L) | [P0AAA:04: {4.0}(C105-C106,C118,C122)]   | *NOT available in DP |
| 19 | 2.0000   | PC   |       |       | CAP CER;1 uF;25 V;X5R;10 %;SMD603   | [P0AAA:04: {2.0}(C76,C86)]   | *NOT available in DP |
| 20 | 2.0000   | PC   |       |       | CAP CER;10pF;50V;10%;SMT603   | [P0AC6:01: {2.0}(C43,C58)]   | *NOT available in DP |
| 21 | 3.0000   | PC   |       |       | CAP CER;20pF;50V;20%;SMT603   | [P0AC6:01: {3.0}(C46-C47,C81)]   | *NOT available in DP |
| 22 | 1.0000   | PC   |       |       | CAP CER;33pF;50V;5%;COG(NPO);SMT603                                       | [P0AAA:04: {1.0}(C116)]  | *NOT available in DP |
| 23 | 1.0000   | PC   |       |       | CAP CER;39pF;50V;5%;COG(NPO);SMT603                                       | [P0AC6:01: {1.0}(C83)]   | *NOT available in DP |
| 24 | 4.0000   | PC   |       |       | CAP CER;47pF;50V;5%;COG(NPO);SMT603                                       | [P0AC6:01: {3.0}(C66,C69,C84)]   | *NOT available in DP |
| 25 | 17.0000  | PC   |       |       | CAP CER;100pF;50V;20%;SMT603  | [P0AC6:01: {8.0}(C48-C49,C70,C80,C92-C93,C98-C99)]   | *NOT available in DP |
| 26 | 14.0000  | PC   |       |       | CAP CER;220pF;50V;10%;SMT603  | [P0AC6:01: {6.0}(C44,C59-C60,C85,C94-C95)]   | *NOT available in DP |
| 27 | 1.0000   | PC   |       |       | CAP CER;330pF;50V;20%;SMT603  | [P0AAA:04: {1.0}(C94)]   | *NOT available in DP |
| 28 | 2.0000   | PC   |       |       | CAP CER;470pF;50V;10%;SMT603  | [P0AAA:04: {2.0}(C75,C115)]  | *NOT available in DP |
| 29 | 1.0000   | PC   |       |       | CAP CER;680pF;50V;COG;5%;SMD603   | [P0AAA:04: {1.0}(C88)]   | *NOT available in DP |
| 30 | 5.0000   | PC   |       |       | CAP CER;1nF;50V;10%;SMT603  | [P0AAA:04: {5.0}(C65,C74,C93,C102-C103)]   | *NOT available in DP |
| 31 | 1.0000   | PC   |       |       | CAP CER;2nF;7.50V;10%;SMT603  | [P0AAA:04: {1.0}(C139)]  | *NOT available in DP |
| 32 | 5.0000   | PC   |       |       | CAP CER;3nF3;50V;10%;SMT603   | [P0AC6:01: {5.0}(C56-C57,C67-C68,C82)]   | *NOT available in DP |
| 33 | 28.0000  | PC   |       |       | CAP CER;10nF;50V;10%;SMT603   | [P0AC6:01: {12.0}(C88,C104-C109,C112-C116)]  | *NOT available in DP |
| 34 | 19.0000  | PC   |       |       | CAP CER;100nF;50V;10%;SMT603  | [P0AAA:04: {19.0}(C60,C68,C71-C72,C78-C79,C95,C98,C100-C101,C108,C110,C112,C117,C119,C123-C124,C137,C141)] | *NOT available in DP |
| 35 | 1.0000   | PC   |       |       | CAP CER;100nF;50V;Y5V;+80%/-20%;SMT603                                    | [P0AAA:04: {1.0}(C99)]   | *NOT available in DP |
| 36 | 1.0000   | PC   |       |       | CAP CER;56pF;50V;10%;SMT805   | [P0AAA:04: {1.0}(C92)]   | *NOT available in DP |
| 37 | 7.0000   | PC   |       |       | CAP CER;10nF;50V;10%;SMT805   | [P0AC6:01: {2.0}(C54,C64)]   | *NOT available in DP |
| 38 | 3.0000   | PC   |       |       | CAP CER;15nF;50V;10%;SMT805   | [P0AC6:01: {3.0}(C32,C72-C73)]   | *NOT available in DP |
| 39 | 7.0000   | PC   |       |       | CAP CER;33nF;50V;10%;SMT805   | [P0AC6:01: {7.0}(C37-C38,C62-C63,C75-C77)]   | *NOT available in DP |

|    | Quantity | Unit | S.Sku | M.Sku           | Description  | Reference Designators  | Notes                |
|----|----------|------|-------|-----------------|--|--|----------------------|
| 40 | 13.0000  | PC   |       |                 | CAP CER;100nF;50V;X7R;10%;SMT805   | [P0AC6:01: {13.0}]{C39-C42,C50-C52,C55,C61,C65,C74,C78-C79}] | *NOT available in DP |
| 41 | 9.0000   | PC   |       |                 | CAP CER;100nF;50V;X7R;20%;SMT805   | [P0AAA:04: {9.0}]{C62,C69-C70,C82-C83,C90,C104,C113,C127}]   | *NOT available in DP |
| 42 | 2.0000   | PC   |       |                 | CAP CER;220nF;50V;10%;SMT805   | [P0AC6:01: {2.0}]{C33,C71}]                                  | *NOT available in DP |
| 43 | 4.0000   | PC   |       |                 | CAP CER;330nF;50V;10%;SMT805   | [P0AC6:01: {4.0}]{C34-C36,C53}]                              | *NOT available in DP |
| 44 | 1.0000   | PC   |       |                 | CAP CER;56pF;100V;5%;NPO;SMT1206   | [P0AAA:04: {1.0}]{C121}]                                     | *NOT available in DP |
| 45 | 9.0000   | PC   |       |                 | CAP CER;10nF;100V;X7R;10%;SMD1206  | [P0AAA:04: {9.0}]{C55,C64,C81,C84,C89,C111,C128-C130}]       | *NOT available in DP |
| 46 | 3.0000   | PC   |       |                 | CAP CER;100nF;100V;X7R;10%;SMD1206   | [P0AAA:04: {3.0}]{C91,C107,C120}]                            | *NOT available in DP |
| 47 | 2.0000   | PC   |       |                 | CAP CER;1uF;100V;X7R;10%;SMD1812   | [P0AAA:04: {2.0}]{C131-C132}]                                | *NOT available in DP |
| 48 | 1.0000   | PC   |       |                 | CAP MYL;47nF;50V;10%;PITCH:5mm;DIPPED;VERTICAL 12.7-15-9mm   | [P0AC6:01: {1.0}]{C1}]                                       | *NOT available in DP |
| 49 | 1.0000   | PC   |       |                 | CAP FILM;100nF;100V;MPF;10%;PITCH:5mm;BOX;VERTICAL 12.7-15-9mm   | [P0AAA:04: {1.0}]{C25}]                                      | *NOT available in DP |
| 50 | 4.0000   | PC   |       |                 | CAP Y1;1nF;250V;20%;Y5U;PITCH:10mm;PRECUT:3.3  | [P0AAA:04: {4.0}]{C2,C11,C20,C34}]                           | *NOT available in DP |
| 51 | 2.0000   | PC   |       |                 | CAP Y1;2nF;250V;P:10mm0;PRECUT:3MM1+/-0MM5   | [P0AAA:04: {2.0}]{C48-C49}]                                  | *NOT available in DP |
| 52 | 1.0000   | PC   |       |                 | CAP E;BIPOLAR;1uF;50V;PITCH:2mm5;5 x 11mm;VERTICAL 12.7-15-9mm   | [P0AAA:04: {1.0}]{C19}]                                      | *NOT available in DP |
| 53 | 1.0000   | PC   |       | B12-32100-01925 | CAP X2;100nF;275V;PITCH:15mm;CASE:8mm5 x 18mm CASE:8mm5 x 18mm;UNCUT                                   | [P0AAA:04: {1.0}]{C4}]                                       |                      |
| 54 | 2.0000   | PC   |       | B12-32330-05432 | CAP X2;330NF;275V;P:22mm5;10%;PRECUT:3MM1+/-0MM5   | [P0AAA:04: {2.0}]{C24,C37}]                                  |                      |
| 55 | 1.0000   | PC   |       |                 | CAP E;470uF;25V;PITCH:5mm;10mm x 20mm;105C;LOW ESR;VERTICAL 12.7-15-9mm                                | [P0AAA:04: {1.0}]{C33}]                                      | *NOT available in DP |
| 56 | 2.0000   | PC   |       |                 | CAP E;470uF;35V;PITCH:5mm;10mmx20mm;20%;LOW ESR;VERTICAL 12.7-15-9mm                                   | [P0AAA:04: {2.0}]{C14,C23}]                                  | *NOT available in DP |
| 57 | 2.0000   | PC   |       |                 | CAP E;220uF;63V;PITCH:5mm;10mm x 20mm;105C;LOW ESR;VERTICAL 12.7-15-9mm                                | [P0AAA:04: {2.0}]{C46-C47}]                                  | *NOT available in DP |
| 58 | 4.0000   | PC   |       |                 | CAP E;820uF;63V;T105;PITCH:5mm;13mmx40mm;20%;LOW ESR;PRE-CUT3MM3,+0MM3                                 | [P0AAA:04: {4.0}]{C31-C32,C38-C39}]                          | *NOT available in DP |
| 59 | 2.0000   | PC   |       |                 | CAP E;470 uF;200 V;PITCH:10 mm;25mm x 30mm;SNAP-IN   | [P0AAA:04: {2.0}]{C12,C30}]                                  | *NOT available in DP |
| 60 | 2.0000   | PC   |       |                 | CAP CER;560pF;1KV;10%;PITCH:5mm;DISC; VERTICAL 12.7-15-9mm   | [P0AAA:04: {2.0}]{C43-C44}]                                  | *NOT available in DP |
| 61 | 1.0000   | PC   |       |                 | CAP CER;470pF;1KV;20%;PITCH:7mm5;DISC CASE:4 x 10mm;PRECUT:3mm1 +/-0mm5                                | [P0AAA:04: {1.0}]{C40}]                                      | *NOT available in DP |
| 62 | 2.0000   | PC   |       |                 | CAP FILM;470 nF;250 V;PPM;5 %;RADIAL;17.5 x 12 x 6.5mm;PITCH:15 mm;PP;p>10A@100kHz;PRE-CUT:3.2+/-0.5mm | [P0AAA:04: {2.0}]{C28,C42}]                                  | *NOT available in DP |
| 63 | 3.0000   | PC   |       |                 | CAP FILM;100nF;400V;MPF;PITCH:10mm;PRECUT:3mm1 +/-0mm5   | [P0AAA:04: {3.0}]{C9-C10,C36}]                               | *NOT available in DP |
| 64 | 1.0000   | PC   |       |                 | CAP FILM;470 nF;400 V;PITCH:15 mm;10 %;MPB;LARGE CURRENT;FLAMEPROOF;PRECUT:3.3+/-0.3mm                 | [P0AAA:04: {1.0}]{C15}]                                      | *NOT available in DP |

**Circuit Protector**

|   | Quantity | Unit | S.Sku           | M.Sku           | Description                               | Reference Designators | Notes             |
|---|----------|------|-----------------|-----------------|---|-----------------------|-------------------|
| 1 | 1.0000   | PC   | R22-01513-25001 | B22-01513-25001 | FUSE;2A5;250V;SLOW BLOW;H-TYPE;5mm x 20mm |                       | (EU, UK, SAA, AR) |
| 2 | 1.0000   | PC   | R22-01515-00001 | B22-01515-00001 | FUSE;5A;250V;SLOW BLOW;H-TYPE;5mm x 20mm  |                       | (UL, BR, HM, SH)  |

**Coil**

|    | Quantity | Unit | S.Sku           | M.Sku           | Description   | Reference Designators        | Notes |
|----|----------|------|-----------------|-----------------|---|------------------------------|-------|
| 1  | 1.0000   | PC   | R37-31500-04441 | B37-31500-04441 | COIL;TOROID;CHOKE;WIRE DIA:0mm4;1 mH5                                   | [P0AAA:04: {1.0}(TR1)]       |       |
| 2  | 2.0000   | PC   |                 | B37-76100-05127 | COIL;CHOKE;61uH;P:6MM;T10X6X5   | [P0AAA:04: {1.0}(L1)]        |       |
| 3  | 3.0000   | PC   | R39-00000-03394 | B39-00000-03394 | COIL;SMD;BEAD;SMD0805;(BLM21BD751SN1D)                                  | [P0AC6:01: {3.0}(L4-L6)]     |       |
| 4  | 1.0000   | PC   | R39-26000-21049 | B39-26000-21049 | COIL;SMD;BEAD;(BLM21AG601S)   | [P0AAA:04: {1.0}(L11)]       |       |
| 5  | 1.0000   | PC   |                 | B40-32402-05179 | COIL;TOROID;2mH4;MIN;PITCH:10mm;T20*10*10mm;TURNS:16+16; WIRE DIA.:0mm7 | [P0AAA:04: {1.0}(L4)]        |       |
| 6  | 1.0000   | PC   |                 | B40-36002-05180 | COIL;TOROID;6mH;MIN;PITCH:10mm;T20*10*10mm;TURNS:25+25; WIRE DIA.:0mm7  | [P0AAA:04: {1.0}(L2)]        |       |
| 7  | 0.0000   | PC   |                 | B41-00000-35350 | COIL;22 uH;L:17.8mm;EP20-008 (CLICK)                                    | [P0AAA:04: {0.0}(L6)]        |       |
| 8  | 1.0000   | PC   |                 | B41-00000-35823 | COIL;22 uH;17.8mm;R17-19-00760 (Superworld)                             | [P0AAA:04: {1.0}(L6)]        |       |
| 9  | 3.0000   | PC   |                 | B44-30000-00000 | COIL;BEAD;7A;Pitch:5;3.5X5X0.8  | [P0AAA:04: {3.0}(L3,L8,L10)] |       |
| 10 | 2.0000   | PC   |                 | B44-30000-03404 | COIL;BEAD;6A;(MURATA BL01RN1A1F1J))                                     | [P0AC6:02: {2.0}(L7-L8)]     |       |
| 11 | 2.0000   | PC   |                 | B44-32140-04436 | FERRITE BEAD;RH9.8*11.5*1.0(SUPERWORLD;R17-19-00099)                    | [P0AAA:04: {2.0}(L5,L9)]     |       |

**Connector**

|   | Quantity | Unit | S.Sku           | M.Sku           | Description   | Reference Designators    | Notes            |
|---|----------|------|-----------------|-----------------|---|--------------------------|------------------|
| 1 | 4.0000   | PC   | R84-22000-06018 | B84-22000-06018 | CRIMP TERMINAL;PITCH:3mm96;AWG18-22;A3963TOP-2                                      |                          |                  |
| 2 | 6.0000   | PC   | R84-25016-06014 | B84-25016-06014 | CRIMP TERMINAL;PITCH:2mm0;AWG24-30;A2008TOP-2                                       |                          |                  |
| 3 | 2.0000   | PC   | R84-30060-06009 | B84-30060-06009 | JACKET;FOR 6mm35 AMP CONNECTOR;PVC;STRAIGHT;DIAMETER:4mm                            |                          |                  |
| 4 | 2.0000   | PC   |                 | B84-32050-05839 | CRIMP CONNECTOR;AMP;RECEPTABLE;6mm3 x 7mm5;AWG 14-18;WIRE MOUNT;STRAIGHT;250 SERIES |                          |                  |
| 5 | 2.0000   | PC   | R84-39000-03120 | B84-39000-03120 | CONNECTOR;AMP;PCB;PCB MOUNT;PITCH:5mm;WIDTH:6mm3                                    | [P0AAA:04: {2.0}(X6-X7)] |                  |
| 6 | 1.0000   | PC   |                 | B84-42050-00155 | CRIMP CONNECTOR;LUG;INNER DIA:4mm3;AWG 14-18;WIRE MOUNT;STRAIGHT                    |                          |                  |
| 7 | 1.0000   | PC   | R95-01320-03303 | B95-01320-03303 | CONNECTOR;XLR;SOCKET;MALE;STRAIGHT;POLES:3  | [P0AC6:02: {1.0}(X2)]    |                  |
| 8 | 1.0000   | PC   | R93-00000-03471 | B93-00000-03471 | BARE WIRE;2;5 MM;CONNECTOR;BARE JUMPER;D:0mm7;L:5mm                                 | [ : {1.0}(J1)]           | (UL, BR, HM, SH) |

**Diode**

|    | Quantity | Unit | S.Sku | M.Sku | Description   | Reference Designators                                       | Notes                |
|----|----------|------|-------|-------|---|---|----------------------|
| 1  | 6.0000   | PC   |       |       | DIODE;SCHOTTKY;S50540;SOD123;SMD  | [P0AAA:04: {6.0}(D15-D16,D21-D22,D40-D41)]                  | *NOT available in DP |
| 2  | 3.0000   | PC   |       |       | DIODE;BAV99;SOT23;SMD   | [P0AAA:04: {3.0}(D14,D23,D28)]                              | *NOT available in DP |
| 3  | 2.0000   | PC   |       |       | DIODE;1.5KE200A;DO201AD   | [P0AAA:04: {2.0}(D1,D3)]                                    | *NOT available in DP |
| 4  | 22.0000  | PC   |       |       | DIODE;LL4148;LL34;TEMIC OR FC   | [P0AC6:01: {11.0}(D1-D11)]                                  | *NOT available in DP |
| 5  | 1.0000   | PC   |       |       | DIODE;MUR1620CT;ULTRAFast RECTIFIER<br>8A;200V;TO220AB;BRAND:ON SEMICONDUCTOR | [P0AAA:04: {1.0}(D5)]                                       | *NOT available in DP |
| 6  | 2.0000   | PC   |       |       | DIODE;GP;GS1G;400V;1A;DO-214AC;SMD  | [P0AAA:04: {2.0}(D30-D31)]                                  | *NOT available in DP |
| 7  | 2.0000   | PC   |       |       | DIODE;SUPERFAST;ER1J;600V;1A;35NS;DO-214AA;SMD                                | [P0AAA:04: {2.0}(D13,D20)]                                  | *NOT available in DP |
| 8  | 1.0000   | PC   |       |       | DIODE;ZD24V0;BZX85C24;DO41;TAPING   | [P0AAA:04: {1.0}(D6)]                                       | *NOT available in DP |
| 9  | 2.0000   | PC   |       |       | DIODE;ZMM15V0;SMD1206   | [P0AAA:04: {2.0}(D33,D37)]                                  | *NOT available in DP |
| 10 | 1.0000   | PC   |       |       | DIODE;ZMM18V0;SMD1206   | [P0AAA:04: {1.0}(D43)]                                      | *NOT available in DP |
| 11 | 1.0000   | PC   |       |       | DIODE;RECTIFIER;MUR1620CTR;TO220AB  | [P0AAA:04: {1.0}(D4)]                                       | *NOT available in DP |
| 12 | 1.0000   | PC   |       |       | DIODE;BRIDGE;KBJ2510;1000V;25A  | [P0AAA:04: {1.0}(D2)]                                       | *NOT available in DP |
| 13 | 11.0000  | PC   |       |       | DIODE;SUPERFAST;ES1D;200V;1A;15NS;DO-214AC;SMD                                | [P0AAA:04: {11.0}(D11-D12,D18-D19,D25-D27,D29,D32,D34-D35)] | *NOT available in DP |

Hardware

|    | Quantity | Unit | S.Sku | M.Sku           | Description   | Reference Designators | Notes                |
|----|----------|------|-------|-----------------|---|-----------------------|----------------------|
| 1  | 2.0000   | PC   |       |                 | CABLE TIE;NYLON;4in;COLOR:  |                       | *NOT available in DP |
| 2  | 2.0000   | PC   |       |                 | WIRECLAMP;LUG:4mm4;LENGTH:56mm;OUTER DIA;8mm;PLASTIC COVERED STEEL;COLOR:BLK                |                       | *NOT available in DP |
| 3  | 2.3000   | G    |       |                 | THERM-GREASE;COLOR:WHT;SPEC.NO:09286  |                       | *NOT available in DP |
| 4  | 0.6000   | G    |       |                 | SCREWLOCK;SPEC.NO:01090   |                       | *NOT available in DP |
| 5  | 4.0000   | PC   |       |                 | HEX. NUT;INNER DIA;M4mm;SURFACE:ZINC  |                       | *NOT available in DP |
| 6  | 1.0000   | PC   |       |                 | HEX. NUT;M4mm;SURFACE:CR(III)   |                       | *NOT available in DP |
| 7  | 5.0000   | PC   |       |                 | HEX. NUT;FOR JACK;M 3/8in;HEXWRENCH:11mm;THICKNESS:2mm4;SURFACE:NICKEL/SILVER               |                       | *NOT available in DP |
| 8  | 2.0000   | PC   |       |                 | OCT. NUT;FOR JACK;3/8in;OCTWRENCH:14.5mm;THICKNESS:3.5mm;SURFACE:NICKEL/SILVER              |                       | *NOT available in DP |
| 9  | 2.0000   | PC   |       | F87-01000-12070 | PAD;RUBBER;6mm*2mm5;COLOR:BLK;DWG.NO:12070;(R14-GUITAR-RUBBERPAD-REV.B.DWG)                 |                       |                      |
| 10 | 2.0000   | PC   |       |                 | SCREW;M3mm*6mm;HEAD:BINDING;INSERT:PHILIPS REC.;SURFACE:BLACK/ZINC                          |                       | *NOT available in DP |
| 11 | 13.0000  | PC   |       |                 | SCREW;M3mm*6mm;HEAD:PAN;INSERT:PHILIPS REC.;SURFACE:SILVER/ZINC                             |                       | *NOT available in DP |
| 12 | 4.0000   | PC   |       |                 | SCREW;M3mm*6mm;HEAD:PAN;INSERT:PHILLIPS REC.;SURFACE:BLACK/ZINC                             |                       | *NOT available in DP |
| 13 | 6.0000   | PC   |       |                 | SCREW;M3mm*6mm;PITCH:0mm5;HEAD:FLAT;INSERT:PHILIPS REC.;SURFACE:BLACK/ZINC                  |                       | *NOT available in DP |
| 14 | 2.0000   | PC   |       |                 | SCREW;BT3mm*6mm;HEAD:FLAT;DIA 5mm2;INSERT:PHILIPS REC.;SURFACE:ZINC/BLACK                   |                       | *NOT available in DP |
| 15 | 4.0000   | PC   |       |                 | SCREW;BT3mm*8mm;HEAD:PAN;INSERT:PHILIPS REC.;SURFACE:ZINC                                   |                       | *NOT available in DP |
| 16 | 9.0000   | PC   |       |                 | SCREW;BT3mm*8mm;HEAD:PAN;INSERT:PHILLIPS REC.;SURFACE:BLACK/ZINC                            |                       | *NOT available in DP |
| 17 | 2.0000   | PC   |       |                 | SCREW;M3mm*10mm;HEAD:PAN;INSERT:PHILIPS REC.;SURFACE:BLACK/ZINC                             |                       | *NOT available in DP |
| 18 | 2.0000   | PC   |       |                 | SCREW;M4mm*8mm;HEAD:PAN;INSERT:PHILIPS REC.;SURFACE:BLACK/ZINC                              |                       | *NOT available in DP |
| 19 | 4.0000   | PC   |       |                 | SCREW;M4mm*10mm;HEAD:PAN;INSERT:PHILIPS REC.;SURFACE:BLACK/ZINC                             |                       | *NOT available in DP |
| 20 | 1.0000   | PC   |       |                 | SCREW;M4mm*12mm;HEAD:BINDING;INSERT:PHILIPS REC.;SURFACE:SILVER/ZINC                        |                       | *NOT available in DP |
| 21 | 2.0000   | PC   |       |                 | SCREW;M4mm*16mm;HEAD:PAN;INSERT:PHILIPS REC.;SURFACE:BLACK/ZINC                             |                       | *NOT available in DP |
| 22 | 4.0000   | PC   |       |                 | SCREW;M4mm*35mm;HEAD:PAN;INSERT:PHILIPS REC.;SURFACE:BLACK/ZINC                             |                       | *NOT available in DP |
| 23 | 1.0000   | PC   |       |                 | SILICA GEL;MASS;30g;SPEC.NO:30QB-BB2001-4   |                       | *NOT available in DP |
| 24 | 2.0000   | PC   |       |                 | SPRING;CYLINDRICAL;F5112;6mm*14mm8;CARBON STEEL;DWG. NO:04288;(R14-FCB1010-SPRING-REVA.DWG) |                       | *NOT available in DP |
| 25 | 0.0350   | M    |       |                 | SHRINKING TUBE;BLACK;HEAT SHRINK TUBING;2:1;35mm;5M   |                       | *NOT available in DP |
| 26 | 0.2300   | M    |       |                 | SHRINKING TUBE;INNER DIA:9mm0   |                       | *NOT available in DP |
| 27 | 0.1320   | M    |       |                 | SHRINKING TUBE;INNER DIA;1mm;SPEC.NO:43217  |                       | *NOT available in DP |
| 28 | 0.0240   | M    |       |                 | SHRINKING TUBE;INNER DIA;4mm;SPEC.NO:01098  |                       | *NOT available in DP |
| 29 | 0.1100   | M    |       |                 | SHRINKING TUBE;INNER DIA;6mm;SPEC.NO:01099  |                       | *NOT available in DP |
| 30 | 0.0670   | M    |       |                 | SHRINKING TUBE;INNER DIA;25mm;THICKNESS;0mm5;   |                       | *NOT available in DP |
| 31 | 2.0000   | PC   |       |                 | WASHER;9.7 MM;16 MM;NICKEL;WHITE;WASHER;FLAT;DIM:9.7*16*0.5mm;NIC                           |                       | *NOT available in DP |

|    | Quantity | Unit | S.Sku | M.Sku           | Description  | Reference Designators | Notes                             |
|----|----------|------|-------|-----------------|--|-----------------------|-----------------------------------|
| 32 | 5.0000   | PC   |       |                 | WASHER;PLAIN;INNER DIA:9mm6;OUTER DIA:13mm;THICKNESS;0mm5;PLATING:NICKEL                                     |                       | *NOT available in DP              |
| 33 | 2.0000   | PC   |       |                 | WASHER;EXTERNAL TEETH;INNER DIA:3mm;OUTER DIA:6mm;THICKNESS:0mm5   |                       | *NOT available in DP              |
| 34 | 4.0000   | PC   |       |                 | WASHER;EXTERNAL TEETH;INNER DIA:4mm;OUTER DIA:7mm;THICKNESS;1mm7   |                       | *NOT available in DP              |
| 35 | 2.0000   | PC   |       |                 | WASHER;EXTERNAL TEETH;INNER DIA:4mm;OUTER DIA:7mm;THICKNESS;1mm7;PLATING:CR(III)                             |                       | *NOT available in DP              |
| 36 | 1.0000   | PC   |       | F97-00100-11935 | PAPERBOARD SUPPORT;P0742;DST.NO:001;DPT.NO:11935;(P0742-PAPERBOARD_SUPPORT-REVA.DWG)                         |                       |                                   |
| 37 | 1.0000   | PC   |       | F97-17000-04145 | SHEET;FOAM;FOOTSWITCH;FS112;W/ DURABLE ADHESIVE;DWG.NO:04145;(R14-GX112-FOAM-REVA.DWG)                       |                       |                                   |
| 38 | 1.0000   | PC   |       |                 | BUSHING;CABLE;FS112;NYLON;DWG.NO:04141;(R14-CABLEBUSHING-REVA.DWG)   |                       | *NOT available in DP              |
| 39 | 4.0000   | PC   |       |                 | BUSHING;MINIATURE;NYLON;DWG.NO:27886;(R20-SC-PLA_NYLBUSHM3x1_4.DWG)  |                       | *NOT available in DP              |
| 40 | 2.0000   | PC   |       |                 | SCREW;M3mm*5mm;HEAD:PAN;INSERT:PHILIPS REC.;SURFACE:SILVER ZINC  |                       | *NOT available in DP              |
| 41 | 2.0000   | PC   |       |                 | SCREW;M3mm*5mm;HEAD:PAN;INSERT:PHILIPS REC.;SURFACE:SILVER ZINC  |                       | *NOT available in DP              |
| 42 | 7.0000   | PC   |       |                 | SCREW;A4mm*25mm;HEAD:PAN;INSERT:PHILIPS REC.;SURFACE:BLACK/ZINC  |                       | *NOT available in DP              |
| 43 | 7.0000   | PC   |       |                 | SCREW;A4mm*25mm;HEAD:PAN;INSERT:PHILIPS REC.;SURFACE:BLACK/ZINC  |                       | *NOT available in DP              |
| 44 | 7.0000   | PC   |       |                 | SCREW;M3mm*10mm;HEAD:PAN SPRING WASHER;INSERT:PHILIPS REC.;SURFACE:SILVER/NIC                                |                       | *NOT available in DP              |
| 45 | 2.0000   | PC   |       | F89-07019-00144 | INSULATION SHEET;TO220 W/HOLE;ALUMINIUM OXIDE CERAMIC INSULATOR;THICKNESS:2mm03;HOLE DIAMETER:3mm68;(LANXIN) |                       | (EU, UL, UK, SAA, BR, AR, HM, SH) |
| 46 | 2.0000   | PC   |       | F89-07019-00144 | INSULATION SHEET;TO220 W/HOLE;ALUMINIUM OXIDE CERAMIC INSULATOR;THICKNESS:2mm03;HOLE DIAMETER:3mm68;(LANXIN) |                       |                                   |
| 47 | 16.0000  | PC   |       |                 | SCREW;M4mm*8mm;HEAD:BINDING;INSERT:PHILIPS REC.;SURFACE:BLACK/ZINC   |                       | *NOT available in DP              |
| 48 | 2.0000   | PC   |       |                 | SCREW;M3mm*12mm;HEAD:PAN SPRING WASHER;INSERT:PHILIPS REC.;SURFACE:SILVER/ZINC                               |                       | *NOT available in DP              |
| 49 | 7.0000   | PC   |       |                 | SCREW;M3mm*10mm;HEAD:PAN SPRING WASHER;INSERT:PHILIPS REC.;SURFACE:SILVER/NIC                                |                       | *NOT available in DP              |
| 50 | 2.0000   | PC   |       | F89-43000-00002 | INSULATION SHEET;GLIMMER;TO220 W/HOLE;HOLE-DIAMETER:3MM1(IN-GLTO220_3MM1-REVA.DWG)                           |                       | (EU, UL, UK, SAA, BR, AR, HM, SH) |
| 51 | 4.0000   | PC   |       |                 | BUSHING;MINIATURE;NYLON;DWG.NO:27886;(R20-SC-PLA_NYLBUSHM3x1_4.DWG)  |                       | *NOT available in DP              |
| 52 | 2.0000   | PC   |       |                 | SCREW;M3mm*12mm;HEAD:PAN SPRING WASHER;INSERT:PHILIPS REC.;SURFACE:SILVER/ZINC                               |                       | *NOT available in DP              |
| 53 | 16.0000  | PC   |       |                 | SCREW;M4mm*8mm;HEAD:BINDING;INSERT:PHILIPS REC.;SURFACE:BLACK/ZINC   |                       | *NOT available in DP              |
| 54 | 2.0000   | PC   |       | F89-43000-00002 | INSULATION SHEET;GLIMMER;TO220 W/HOLE;HOLE-DIAMETER:3MM1(IN-GLTO220_3MM1-REVA.DWG)                           |                       |                                   |

Ic

|    | Quantity | Unit | S.Sku           | M.Sku           | Description  | Reference Designators              | Notes |
|----|----------|------|-----------------|-----------------|--|------------------------------------|-------|
| 1  | 1.0000   | PC   | S71-20352-50116 | C71-20352-50116 | IC;DRIVER VOLTAGE-MODE PWM CONTROLLER;KA3525A;DIP    | [P0AAA:04: {1.0}(IC5)]             |       |
| 2  | 1.0000   | PC   | S71-72008-27408 | C71-72008-27408 | IC;ADTL082ARZ;SO8                                    | [P0AAA:04: {1.0}(IC8)]             |       |
| 3  | 1.0000   | PC   |                 | C73-00000-29050 | IC;OPAMP;SMD;SOP;8;BA4580RF                          | [P0AAA:04: {1.0}(IC7)]             |       |
| 4  | 7.0000   | PC   | S73-58007-40514 | C73-31007-40514 | IC;OPAMP OPAMP;TL074;SOP;                            | [P0AC6:01: {6.0}(IC2-IC3,IC6-IC9)] |       |
| 5  | 1.0000   | PC   | S73-58007-22208 | C73-58007-22208 | IC;OPAMP OPAMP;TL072;SOP;BRAND:ST ONLY               | [P0AC6:01: {1.0}(IC12)]            |       |
| 6  | 1.0000   | PC   |                 | C73-59458-00408 | IC;OPAMP OPAMP;NJM4580L;SIP                          | [P0AC6:01: {1.0}(IC1)]             |       |
| 7  | 1.0000   | PC   | S77-05107-03110 | C77-05107-03110 | IC;VOLT.REGULATOR;7805F;FULLPACK;TO220               | [P0AAA:04: {1.0}(IC4)]             |       |
| 8  | 1.0000   | PC   | S77-12107-03110 | C77-12107-03110 | IC;VOLT.REGULATOR;7812F;FULLPACK;TO220               | [P0AAA:04: {1.0}(IC3)]             |       |
| 9  | 1.0000   | PC   | S77-15107-03110 | C77-15107-03110 | IC;VOLT.REGULATOR;7815F;FULLPACK;TO220               | [P0AAA:04: {1.0}(IC2)]             |       |
| 10 | 1.0000   | PC   | S77-15207-03110 | C77-15207-03110 | IC;VOLT.REGULATOR;7915F;FULLPACK;TO220               | [P0AAA:04: {1.0}(IC1)]             |       |
| 11 | 1.0000   | PC   | S78-55133-90514 | C78-55133-90514 | IC;COMPARATOR;(SGS ONLY);LM339;SOP;SMD               | [P0AAA:04: {1.0}(IC11)]            |       |
| 12 | 1.0000   | PC   | T22-31001-40514 | D22-31001-40514 | IC;LOGIC;74HC14;SOP                                  | [P0AC6:01: {1.0}(IC11)]            |       |
| 13 | 1.0000   | PC   | T22-31007-40514 | D22-31007-40514 | IC;LOGIC;74HC74;SOP                                  | [P0AC6:01: {1.0}(IC10)]            |       |
| 14 | 1.0000   | PC   | T28-64209-52216 | D28-64295-72216 | IC;IRS20957S;SOIC                                    | [P0AAA:04: {1.0}(IC10)]            |       |
| 15 | 1.0000   | PC   | T30-06405-30516 | D30-06405-30516 | IC;SWITCH/MUPLEX;CD4053-SB1;SOP;MOT/THOMSON ONLY;SOP | [P0AC6:01: {1.0}(IC5)]             |       |
| 16 | 1.0000   | PC   |                 | D30-82403-00514 | IC;SWITCH/MUPLEX;CD4013;SOP                          | [P0AC6:01: {1.0}(IC4)]             |       |

Led

|   | Quantity | Unit | S.Sku           | M.Sku           | Description              | Reference Designators      | Notes |
|---|----------|------|-----------------|-----------------|--------------------------|----------------------------|-------|
| 1 | 4.0000   | PC   | U10-53565-00588 | E10-53565-00588 | LED HIB;3mm ROUND;GREEN  | [P0AC6:01: {4.0}(LD5-LD8)] |       |
| 2 | 1.0000   | PC   |                 | E10-57630-05113 | LED HIB;3mm ROUND;RED    |                            |       |
| 3 | 2.0000   | PC   | U10-59585-00592 | E10-59585-00592 | LED HIB;3mm ROUND;YELLOW | [P0AC6:01: {2.0}(LD3-LD4)] |       |
| 4 | 2.0000   | PC   | U12-57630-00590 | E12-57630-00590 | LED;3mm ROUND;RD         | [P0AC6:01: {2.0}(LD1-LD2)] |       |

**Metal Part**

|    | Quantity | Unit | S.Sku           | M.Sku           | Description  | Reference Designators | Notes                             |
|----|----------|------|-----------------|-----------------|--|-----------------------|-----------------------------------|
| 1  | 2.0000   | PC   |                 | A60-00200-05213 | METAL;SUPPORT PLATE;I00031P;DST.NO:002;DPT.NO:05213;(I00031P-SUPPORT_PLATE-REVB.DWG)         |                       |                                   |
| 2  | 1.0000   | PC   |                 | A60-00200-09275 | METAL;HANDLE PLATE;I00033P;DST.NO:002;DPT.NO:09275;(I00033P-HANDLE_PLATE-REVB.DWG)           |                       |                                   |
| 3  | 1.0000   | PC   |                 | A62-00200-05212 | METAL;POWER BRACKET;I00028P;DST.NO:002;DPT.NO:05212;(I00028P-POWER_BRACKET-REVB.DWG)         |                       |                                   |
| 4  | 2.0000   | PC   | Q62-00300-10733 | A62-00300-10733 | METAL;SIDE BRACKET;I00030P;DST.NO:003;DPT.NO:10733;(I00030P-SIDE_BRACKET-REVC.DWG)           |                       |                                   |
| 5  | 1.0000   | PC   |                 | A62-09400-25947 | METAL;BOTTOM;FS112B;CHAMPAGNE;DWG.NO:25947;(R14-GX-FOOTBOTTOM-REVC.DWG)                      |                       |                                   |
| 6  | 2.0000   | PC   |                 | A65-15000-04134 | METAL;SPACER;LENGTH:4mm4;HOLE DIA:3mm5;DWG.NO:04134;(R14-FS112-SPACER-REVA.DWG)              |                       |                                   |
| 7  | 1.0000   | PC   |                 | J02-00000-42593 | METAL;P0AC6;CABINET;FRONT;A002   |                       |                                   |
| 8  | 1.0000   | PC   |                 | J02-00000-42596 | METAL;P0AC6;CABINET;REAR;A001  |                       |                                   |
| 9  | 1.0000   | PC   |                 | J02-00000-63825 | METAL;P0ASU;SECC 1.6mm;COVER;STAMPING;SPRAYING;CHAMPAGNE;D007                                |                       |                                   |
| 10 | 1.0000   | PC   |                 | A63-00000-20446 | METAL;P0AAA;ALU 3.0mm;HEATSINK;BLANKING + BENDING;ANODIZING;MET;HEATSINK PLATE1;PMP530H;REVA |                       | (EU, UL, UK, SAA, BR, AR, HM, SH) |
| 11 | 1.0000   | PC   |                 | A63-00000-20446 | METAL;P0AAA;ALU 3.0mm;HEATSINK;BLANKING + BENDING;ANODIZING;MET;HEATSINK PLATE1;PMP530H;REVA |                       |                                   |
| 12 | 1.0000   | PC   |                 | A63-00000-20377 | METAL;P0AAA;ALUMINIUM;HEATSINK;EXTRUSION;NATURAL   |                       | (EU, UL, UK, SAA, BR, AR, HM, SH) |
| 13 | 1.0000   | PC   |                 | A63-00000-20377 | METAL;P0AAA;ALUMINIUM;HEATSINK;EXTRUSION;NATURAL   |                       |                                   |
| 14 | 1.0000   | PC   |                 | A63-00000-20458 | METAL;P0AAA;ALU 3.0mm;HEATSINK;BLANKING + BENDING;ANODIZING;MET;HEATSINK PLATE2;PMP530H;REVA |                       | (EU, UL, UK, SAA, BR, AR, HM, SH) |
| 15 | 1.0000   | PC   |                 | A63-00000-20458 | METAL;P0AAA;ALU 3.0mm;HEATSINK;BLANKING + BENDING;ANODIZING;MET;HEATSINK PLATE2;PMP530H;REVA |                       |                                   |



Plastic Part

|    | Quantity | Unit | S.Sku           | M.Sku           | Description  | Reference Designators | Notes |
|----|----------|------|-----------------|-----------------|--|-----------------------|-------|
| 1  | 1.0000   | PC   |                 | G52-00000-93820 | PLASTIC;KNOB;POA4Q;ABS;INJECTION<br>MOULDING;YS1284A;BLACK;POWER_KNOB;REV:B  |                       |       |
| 2  | 7.0000   | PC   | W52-00200-00106 | G52-00200-00106 | KNOB;POT;BXL450A;W/ INK<br>MARKING;DST.NO:002;DPT.NO:00106;(BXL450A-POTKNOB-<br>REVB.DWG)                                |                       |       |
| 3  | 7.0000   | PC   | W52-00200-08623 | G52-00200-08623 | KNOB;FADER;FAD30MMKNOB<br>1;BLACK;DST.NO:002;DPT.NO:08623;(FADERKNOBBLK1-REVB.DWG)                                       |                       |       |
| 4  | 4.0000   | PC   | W52-00400-05276 | G52-00400-05276 | KNOB;SWITCH 1;MINI-SERIES;DST.NO:004;DPT.NO:05276;(I00040P-<br>SWITCH_BUTTON1-REVD.DWG)                                  |                       |       |
| 5  | 2.0000   | PC   | W52-80500-09382 | G52-80500-09382 | KNOB;SWITCH;FOOTPEDALS;BLACK;DWG.NO:09382;(R14-GUITAR-<br>SWITCHKNOB1-REVA.DWG)  |                       |       |
| 6  | 1.0000   | PC   |                 | G58-00000-14199 | PLASTIC;POA2E;HOUSING;BLACK;LD-<br>OPT01;DIM:8*10mm;LDOPT01HOUSING-REVE  |                       |       |
| 7  | 1.0000   | PC   |                 | G58-00000-46960 | PLASTIC;P0265;FRPP V0;HANDLE;INJECTION<br>MOULDING;YS1299A;BLACK;REV:B   |                       |       |
| 8  | 1.0000   | PC   | W58-00200-02452 | G58-00200-02452 | PLASTIC;INLET;ABS;PRO SERIES (POWER<br>SWITCH);SIZE:0in58*0in58;ABS;DST.NO:002;DPT.NO:02452;(PRO-<br>PWRSWIT-REVB.DWG)   |                       |       |
| 9  | 1.0000   | PC   |                 | G58-00400-05848 | PLASTIC;FRONT CASE;I00029P;DST.NO:004;DPT.NO:05848;(I00029P-<br>FRONT_CASE-REVD.DWG)                                     |                       |       |
| 10 | 4.0000   | PC   |                 | G58-00400-07922 | PLASTIC;GUIDE;P0370;ABS<br>PA757;BLACK;DST.NO:004;DPT.NO:7922;(BXL450A-SWITCH_GUIDE-<br>REVD.DWG)                        |                       |       |
| 11 | 4.0000   | PC   |                 | G58-00500-11675 | LED CAP;2CAVITIES;3mm<br>LED;BLACK;DST.NO:005;DPT.NO:11675;(R20-PRO-<br>2HOLELEDHOLDER-REVE.DWG)                         |                       |       |
| 12 | 1.0000   | PC   |                 | G58-00800-09273 | PLASTIC;REAR CASE;I00024P;DST.NO:008;DPT.NO:09273;(I00024P-<br>REAR_CASE-REVB.DWG)                                       |                       |       |
| 13 | 1.0000   | PC   |                 | G58-35300-06241 | PLASTIC;GASKET;P0077;GX212 GX2000;RUBBER<br>HEATSINK;DWG.NO:06241;(R14-HSGASKET1-REVB.DWG)                               |                       |       |
| 14 | 2.0000   | PC   |                 | G58-53000-25624 | PLASTIC;BASE;P0089;ABS;YS1285A;BLACK;FS112 FS114<br>FCB1010;COLOR:BLK;DWG.NO:25624;(R14-GUITAR-SWITCHBASE1-<br>REVB.DWG) |                       |       |

**Plug Socket**

|    | Quantity | Unit | S.Sku           | M.Sku           | Description   | Reference Designators          | Notes |
|----|----------|------|-----------------|-----------------|---|--------------------------------|-------|
| 1  | 1.0000   | PC   |                 | G61-65210-03289 | BOX HEADER;POLES:10;2 ROW;STRAIGHT;PITCH:2mm54;SCM-10S  | [P0AC6:01: {1.0}(X13)]         |       |
| 2  | 1.0000   | PC   |                 | G61-75210-05768 | CABLE HEADER;POLES:10;2 ROW;IDE;STRAIGHT;PITCH:2mm54;FC-10P   |                                |       |
| 3  | 1.0000   | PC   |                 | G61-85210-08163 | TRANSITION PLUG;FLAT CABLE;POLES:10;ROWS:2;STRAIGHT;PITCH:2mm54;BLACK;FD-10P  |                                |       |
| 4  | 4.0000   | PC   | W64-01211-03174 | G64-01211-03174 | PLUG;JACK STEREO 6mm3;STRAIGHT SOLDER;W/O MET.RNG.;MET.BUSH.;NO NUT/WASHER;(JY-6351G-02-250)                                      | [P0AC6:02: {4.0}(X3-X4,X6-X7)] |       |
| 5  | 1.0000   | PC   | W64-14152-03710 | G64-14152-03710 | PLUG;PCB;PLUG;JACK PHONE;STRAIGHTPCB LUGS;MONO 6mm3;DUAL TIP;NO RING CONTACTS;NO NUT/WASHER;METAL BUSHING;(CHUNSHENG PJ-622HA-EP) | [P0AC6:02: {1.0}(X5)]          |       |
| 6  | 2.0000   | PC   | W64-16212-00005 | G64-16212-00005 | PLUG;PCB;PLUG;JACK STEREO 6mm3;STRAIGHTPCB LUGS;NO NUT/WASHER;METAL BUSHING;(CHUNSHENG PJ-632HA)                                  | [P0AC6:01: {2.0}(X9-X10)]      |       |
| 7  | 1.0000   | PC   | W67-20103-01396 | G67-20103-01396 | PLUG;AC SOCK;W FUSE;COLOR:BLK;POLES:03;(RONG-FENG RF-2004-C-4.8)  |                                |       |
| 8  | 1.0000   | PC   | W68-14002-00197 | G68-14002-00197 | SOCKET;RCA;(CHUNCHENG RCA-221H-01);FEMALE;POLES:2;PLATING:CU/SN;STRAIGHT;SEPARATE GROUNDS;TIPS:WHITE+RED                          | [P0AC6:02: {1.0}(X1)]          |       |
| 9  | 1.0000   | PC   |                 | G71-23102-04756 | WAFER;POLES:2;STRAIGHT;PITCH:2 mm;1 ROW;TYPE:A2006WV-2P   | [P0AAA:04: {1.0}(X3)]          |       |
| 10 | 1.0000   | PC   | W71-23106-04965 | G71-23106-04965 | WAFER;POLES:6;STRAIGHT;PITCH:2 mm;1 ROW;TYPE:A2006WV-6P   | [P0AAA:04: {1.0}(X2)]          |       |
| 11 | 2.0000   | PC   | W71-27102-04450 | G71-27102-04450 | WAFER;POLES:2;STRAIGHT;PITCH:3.96 mm;1 ROW;JS1120-03-S1;NO MIDDLE PIN   | [P0AAA:04: {2.0}(X4,X8)]       |       |
| 12 | 1.0000   | PC   |                 | G71-27103-04449 | WAFER;POLES:3;STRAIGHT;PITCH:3.96 mm;1 ROW;JS1120-03  | [P0AAA:04: {1.0}(X5)]          |       |
| 13 | 1.0000   | PC   | W71-43106-05998 | G71-43106-05998 | PLUG;HOUSING;POLES:6;ROWS:1;STRAIGHT;PITCH:2mm;TYP:A2008  |                                |       |
| 14 | 2.0000   | PC   | W71-47103-05845 | G71-47103-05845 | PLUG;HOUSING;A3963H02;PITCH:3mm96;POLES:3;ROWS:1;UL94-V0;STRAIGHT   |                                |       |
| 15 | 6.0000   | PC   | W71-80000-05663 | G71-80000-05663 | BD.-IN-CONN;TERMINAL;SAN-002T-0.8A  |                                |       |
| 16 | 1.0000   | PC   | W71-83106-05650 | G71-83106-05650 | BOARD-IN-CONNECTOR;POLES:6;ROWS:1;STRAIGHT;PITCH:2 mm   |                                |       |

**Power Supply**

|   | Quantity | Unit | S.Sku | M.Sku           | Description   | Reference Designators  | Notes |
|---|----------|------|-------|-----------------|---|------------------------|-------|
| 1 | 0.0000   | PC   |       | J69-00000-28377 | TRAFO;SWITCH MODE;P0AAA;EC-35 R17-19-00688 (Superworld) | [P0AAA:04: {0.0}(TR2)] |       |
| 2 | 1.0000   | PC   |       | J69-00000-37101 | TRAFO;SWITCH MODE;P0AAA;KB1332-15287 (DA XIN)           | [P0AAA:04: {1.0}(TR2)] |       |

Resistor

|    | Quantity | Unit | S.Sku | M.Sku | Description                                | Reference Designators  | Notes                |
|----|----------|------|-------|-------|--|--|----------------------|
| 1  | 1.0000   | PC   |       |       | RESISTOR;METAL;221Kohm;1%;0W1;SMD603       | [P0AC6:01: {1.0}(R15)]   | *NOT available in DP |
| 2  | 2.0000   | PC   |       |       | RESISTOR;CARBON;0ohm;5%;0W063;SMD603       | [P0AAA:04: {2.0}(R59,R62)]   | *NOT available in DP |
| 3  | 8.0000   | PC   |       |       | RESISTOR;CARBON;100ohm;5%;0W063;SMD603     | [P0AC6:01: {3.0}(R142-R143,R145)]  | *NOT available in DP |
| 4  | 2.0000   | PC   |       |       | RESISTOR;CARBON;200ohm;5%;0W063;SMD603     | [P0AC6:01: {1.0}(R102)]  | *NOT available in DP |
| 5  | 1.0000   | PC   |       |       | RESISTOR;CARBON;220ohm;5%;0W063;SMD603     | [P0AC6:01: {1.0}(R106)]  | *NOT available in DP |
| 6  | 1.0000   | PC   |       |       | RESISTOR;CARBON;470ohm;5%;0W063;SMD603     | [P0AC6:01: {1.0}(R47)]   | *NOT available in DP |
| 7  | 6.0000   | PC   |       |       | RESISTOR;CARBON;1Kohm;5%;0W063;SMD603      | [P0AC6:01: {4.0}(R17-R18,R20,R69)]   | *NOT available in DP |
| 8  | 3.0000   | PC   |       |       | RESISTOR;CARBON;1Kohm5;5%;0W063;SMD603     | [P0AC6:01: {2.0}(R76,R134)]  | *NOT available in DP |
| 9  | 5.0000   | PC   |       |       | RESISTOR;CARBON;2Kohm2;5%;0W063;SMD603     | [P0AC6:01: {4.0}(R44,R46,R52-R53)]   | *NOT available in DP |
| 10 | 2.0000   | PC   |       |       | RESISTOR;CARBON;3Kohm3;5%;0W063;SMD603     | [P0AAA:04: {2.0}(R36,R39)]   | *NOT available in DP |
| 11 | 13.0000  | PC   |       |       | RESISTOR;CARBON;4Kohm7;5%;0W063;SMD603     | [P0AC6:01: {9.0}(R26-R27,R48,R58,R70,R78,R101,R114-R115)]  | *NOT available in DP |
| 12 | 43.0000  | PC   |       |       | RESISTOR;CARBON;10Kohm;5%;0W063;SMD603     | [P0AC6:01: {29.0}(R31,R38,R50-R51,R54,R59,R64,R67,R71,R74-R75,R77,R81,R83,R86,R89,R92,R94-R96,R108,R111-R112,R119-R120,R123,R136,R139-R140)] | *NOT available in DP |
| 13 | 1.0000   | PC   |       |       | RESISTOR;CARBON;15Kohm;5%;0W063;SMD603     | [P0AC6:01: {1.0}(R16)]   | *NOT available in DP |
| 14 | 16.0000  | PC   |       |       | RESISTOR;CARBON;20Kohm;5%;0W063;SMD603     | [P0AC6:01: {3.0}(R57,R116,R138)]   | *NOT available in DP |
| 15 | 9.0000   | PC   |       |       | RESISTOR;CARBON;22Kohm;5%;0W063;SMD603     | [P0AC6:01: {7.0}(R14,R19,R55-R56,R79-R80,R113)]  | *NOT available in DP |
| 16 | 1.0000   | PC   |       |       | RESISTOR;CARBON;27Kohm;5%;0W063;SMD603     | [P0AAA:04: {1.0}(R126)]  | *NOT available in DP |
| 17 | 1.0000   | PC   |       |       | RESISTOR;CARBON;33Kohm;5%;0W063;SMD603     | [P0AC6:01: {1.0}(R73)]   | *NOT available in DP |
| 18 | 1.0000   | PC   |       |       | RESISTOR;CARBON;36Kohm;5%;0W063;SMD603     | [P0AC6:01: {1.0}(R117)]  | *NOT available in DP |
| 19 | 13.0000  | PC   |       |       | RESISTOR;CARBON;47Kohm;5%;0W063;SMD603     | [P0AC6:01: {7.0}(R21-R22,R25,R28,R43,R45,R137)]  | *NOT available in DP |
| 20 | 1.0000   | PC   |       |       | RESISTOR;CARBON;75Kohm;5%;0W063;SMD603     | [P0AAA:04: {1.0}(R28)]   | *NOT available in DP |
| 21 | 16.0000  | PC   |       |       | RESISTOR;CARBON;100Kohm;5%;0W063;SMD603    | [P0AC6:01: {10.0}(R24,R49,R72,R105,R107,R109-R110,R118,R132-R133)]   | *NOT available in DP |
| 22 | 2.0000   | PC   |       |       | RESISTOR;CARBON;150Kohm;5%;0W063;SMD603    | [P0AC6:01: {2.0}(R68,R103)]  | *NOT available in DP |
| 23 | 2.0000   | PC   |       |       | RESISTOR;CARBON;200Kohm;5%;0W063;SMD603    | [P0AC6:01: {2.0}(R91,R135)]  | *NOT available in DP |
| 24 | 2.0000   | PC   |       |       | RESISTOR;CARBON;220Kohm;5%;0W063;SMD603    | [P0AC6:01: {1.0}(R104)]  | *NOT available in DP |
| 25 | 1.0000   | PC   |       |       | RESISTOR;CARBON;270Kohm;5%;0W063;SMD603    | [P0AAA:04: {1.0}(R128)]  | *NOT available in DP |
| 26 | 1.0000   | PC   |       |       | RESISTOR;CARBON;390Kohm;5%;0W063;SMD603    | [P0AC6:01: {1.0}(R93)]   | *NOT available in DP |
| 27 | 1.0000   | PC   |       |       | RESISTOR;CARBON;430Kohm;5%;0W063;SMD603    | [P0AAA:04: {1.0}(R127)]  | *NOT available in DP |
| 28 | 1.0000   | PC   |       |       | RESISTOR;CARBON;470Kohm;5%;0W063;SMD603    | [P0AAA:04: {1.0}(R117)]  | *NOT available in DP |
| 29 | 2.0000   | PC   |       |       | RESISTOR;CARBON;680Kohm;5%;0W063;SMD603    | [P0AAA:04: {2.0}(R16,R25)]   | *NOT available in DP |
| 30 | 2.0000   | PC   |       |       | RESISTOR;CARBON;1Mohm;5%;0W063;SMD603      | [P0AC6:01: {1.0}(R100)]  | *NOT available in DP |
| 31 | 1.0000   | PC   |       |       | RESISTOR;SMT;1Mohm6;5%;CARBON;0W063;SMD603 | [P0AAA:04: {1.0}(R52)]   | *NOT available in DP |
| 32 | 1.0000   | PC   |       |       | RESISTOR;CARBON;10Mohm;5%;0W063;SMD603     | [P0AAA:04: {1.0}(R45)]   | *NOT available in DP |
| 33 | 3.0000   | PC   |       |       | RESISTOR;METAL;10ohm;1%;0W063;SMD603       | [P0AAA:04: {3.0}(R66-R67,R77)]   | *NOT available in DP |
| 34 | 1.0000   | PC   |       |       | RESISTOR;METAL;200ohm;1%;0W063;SMD603      | [P0AAA:04: {1.0}(R73)]   | *NOT available in DP |
| 35 | 1.0000   | PC   |       |       | RESISTOR;METAL;220ohm;1%;0W063;SMD603      | [P0AAA:04: {1.0}(R41)]   | *NOT available in DP |
| 36 | 1.0000   | PC   |       |       | RESISTOR;METAL;750ohm;1%;0W063;SMD603      | [P0AAA:04: {1.0}(R61)]   | *NOT available in DP |
| 37 | 2.0000   | PC   |       |       | RESISTOR;METAL;806ohm;1%;0W063;SMD603      | [P0AC6:01: {2.0}(R36,R41)]   | *NOT available in DP |
| 38 | 1.0000   | PC   |       |       | RESISTOR;METAL;1Kohm;1%;0W063;SMD603       | [P0AC6:01: {1.0}(R90)]   | *NOT available in DP |
| 39 | 2.0000   | PC   |       |       | RESISTOR;METAL;2Kohm;1%;0W063;SMD603       | [P0AC6:01: {2.0}(R34,R128)]  | *NOT available in DP |
| 40 | 1.0000   | PC   |       |       | RESISTOR;METAL;2Kohm2;1%;0W063;SMD603      | [P0AAA:04: {1.0}(R68)]   | *NOT available in DP |
| 41 | 1.0000   | PC   |       |       | RESISTOR;METAL;2Kohm49;1%;0W063;SMD603     | [P0AC6:01: {1.0}(R131)]  | *NOT available in DP |
| 42 | 1.0000   | PC   |       |       | RESISTOR;METAL;4Kohm02;1%;0W063;SMD603     | [P0AC6:01: {1.0}(R126)]  | *NOT available in DP |

|    | Quantity | Unit | S.Sku           | M.Sku           | Description  | Reference Designators                           | Notes                |
|----|----------|------|-----------------|-----------------|--|---|----------------------|
| 43 | 8.0000   | PC   |                 |                 | RESISTOR;METAL;4Kohm42;1%;0W063;SMD603                                   | [P0AC6:01: {7.0}(R32,R40,R60,R66,R85,R88,R125)] | *NOT available in DP |
| 44 | 1.0000   | PC   |                 |                 | RESISTOR;METAL;5Kohm11;1%;0W063;SMD603                                   | [P0AC6:01: {1.0}(R62)]                          | *NOT available in DP |
| 45 | 2.0000   | PC   |                 |                 | RESISTOR;METAL;6Kohm34;1%;0W063;SMD603                                   | [P0AC6:01: {2.0}(R37,R42)]                      | *NOT available in DP |
| 46 | 3.0000   | PC   |                 |                 | RESISTOR;METAL;8Kohm25;1%;0W063;SMD603                                   | [P0AAA:04: {3.0}(R60,R72,R78)]                  | *NOT available in DP |
| 47 | 5.0000   | PC   |                 |                 | RESISTOR;METAL;10Kohm;1%;0W063;SMD603                                    | [P0AAA:04: {5.0}(R55-R58,R119)]                 | *NOT available in DP |
| 48 | 1.0000   | PC   |                 |                 | RESISTOR;METAL;12Kohm;1%;0W063;SMD603                                    | [P0AAA:04: {1.0}(R74)]                          | *NOT available in DP |
| 49 | 6.0000   | PC   |                 |                 | RESISTOR;METAL;13Kohm3;1%;0W063;SMD603                                   | [P0AC6:01: {6.0}(R29-R30,R39,R61,R121-R122)]    | *NOT available in DP |
| 50 | 2.0000   | PC   |                 |                 | RESISTOR;METAL;16Kohm5;1%;0W063;SMD603                                   | [P0AC6:01: {2.0}(R35,R129)]                     | *NOT available in DP |
| 51 | 1.0000   | PC   |                 |                 | RESISTOR;METAL;19Kohm1;1%;0W063;SMD603                                   | [P0AC6:01: {1.0}(R130)]                         | *NOT available in DP |
| 52 | 1.0000   | PC   |                 |                 | RESISTOR;METAL;30Kohm1;1%;0W063;SMD603                                   | [P0AC6:01: {1.0}(R127)]                         | *NOT available in DP |
| 53 | 2.0000   | PC   |                 |                 | RESISTOR;METAL;33Kohm2;1%;0W063;SMD603                                   | [P0AC6:01: {2.0}(R33,R124)]                     | *NOT available in DP |
| 54 | 1.0000   | PC   |                 |                 | RESISTOR;METAL;37Kohm4;1%;0W063;SMD603                                   | [P0AC6:01: {1.0}(R87)]                          | *NOT available in DP |
| 55 | 1.0000   | PC   |                 |                 | RESISTOR;METAL;40Kohm2;1%;0W063;SMD603                                   | [P0AC6:01: {1.0}(R63)]                          | *NOT available in DP |
| 56 | 1.0000   | PC   |                 |                 | RESISTOR;METAL;63Kohm4;1%;0W063;SMD603                                   | [P0AC6:01: {1.0}(R84)]                          | *NOT available in DP |
| 57 | 1.0000   | PC   |                 |                 | RESISTOR;METAL;80Kohm60;1%;0W063;SMD603                                  | [P0AC6:01: {1.0}(R65)]                          | *NOT available in DP |
| 58 | 1.0000   | PC   |                 |                 | RESISTOR;CARBON;10ohm;5%;0W1;SMD805                                      | [P0AAA:04: {1.0}(R22)]                          | *NOT available in DP |
| 59 | 2.0000   | PC   |                 |                 | RESISTOR;CARBON;22ohm;5%;0W1;SMD805                                      | [P0AAA:04: {2.0}(R33-R34)]                      | *NOT available in DP |
| 60 | 2.0000   | PC   |                 |                 | RESISTOR;CARBON;150ohm;5%;0W1;SMD805                                     | [P0AC6:01: {2.0}(R13,R99)]                      | *NOT available in DP |
| 61 | 1.0000   | PC   |                 |                 | RESISTOR;CARBON;1Kohm;5%;0W1;SMD805                                      | [P0AC6:01: {1.0}(R97)]                          | *NOT available in DP |
| 62 | 1.0000   | PC   |                 |                 | RESISTOR;CARBON;1Kohm2;5%;0W1;SMD805                                     | [P0AC6:01: {1.0}(R98)]                          | *NOT available in DP |
| 63 | 1.0000   | PC   |                 |                 | RESISTOR;CARBON;3Kohm9;5%;0W1;SMD805                                     | [P0AAA:04: {1.0}(R99)]                          | *NOT available in DP |
| 64 | 2.0000   | PC   |                 |                 | RESISTOR;METAL;4ohm75;1%;0W125;SMD1206                                   | [P0AAA:04: {2.0}(R64-R65)]                      | *NOT available in DP |
| 65 | 1.0000   | PC   |                 |                 | RESISTOR;CARBON;10ohm;5%;0W25;SMD1206                                    | [P0AAA:04: {1.0}(R75)]                          | *NOT available in DP |
| 66 | 1.0000   | PC   |                 |                 | RESISTOR;CARBON;100ohm;5%;0W25;SMD1206                                   | [P0AAA:04: {1.0}(R69)]                          | *NOT available in DP |
| 67 | 2.0000   | PC   |                 |                 | RESISTOR;CARBON;10Kohm;5%;0W25;SMD1206                                   | [P0AAA:04: {2.0}(R20,R46)]                      | *NOT available in DP |
| 68 | 1.0000   | PC   |                 |                 | RESISTOR;CARBON;1Mohm;5%;0W25;SMD1206                                    | [P0AAA:04: {1.0}(R90)]                          | *NOT available in DP |
| 69 | 2.0000   | PC   |                 |                 | RESISTOR;METAL;10ohm;1%;0W25;SMD1206                                     | [P0AAA:04: {2.0}(R102-R103)]                    | *NOT available in DP |
| 70 | 2.0000   | PC   |                 |                 | RESISTOR;METAL;1Kohm;1%;0W25;SMD1206                                     | [P0AAA:04: {2.0}(R21,R43)]                      | *NOT available in DP |
| 71 | 1.0000   | PC   |                 |                 | RESISTOR;METAL;1Kohm5;1%;0W25;SMD1206                                    | [P0AAA:04: {1.0}(R48)]                          | *NOT available in DP |
| 72 | 3.0000   | PC   |                 |                 | RESISTOR;SMD;METAL;2Kohm;1%;0W25;SMD1206                                 | [P0AAA:04: {3.0}(R76,R84,R111)]                 | *NOT available in DP |
| 73 | 2.0000   | PC   |                 |                 | RESISTOR;SMT;2Kohm2;1%;METAL;0W25;SMD1206                                | [P0AAA:04: {2.0}(R49,R63)]                      | *NOT available in DP |
| 74 | 1.0000   | PC   |                 |                 | RESISTOR;METAL;10Kohm;1%;0W25;SMD1206                                    | [P0AAA:04: {1.0}(R91)]                          | *NOT available in DP |
| 75 | 1.0000   | PC   |                 |                 | RESISTOR;METAL;20Kohm;1%;0W25;SMD1206                                    | [P0AAA:04: {1.0}(R32)]                          | *NOT available in DP |
| 76 | 4.0000   | PC   |                 |                 | RESISTOR;METAL;221Kohm;1%;0W25;SMD1206                                   | [P0AAA:04: {4.0}(R88-R89,R104-R105)]            | *NOT available in DP |
| 77 | 5.0000   | PC   |                 |                 | RESISTOR;SMT;470Kohm;5%;METAL;0W25;SMD1206                               | [P0AAA:04: {5.0}(R82-R83,R86-R87,R106)]         | *NOT available in DP |
| 78 | 2.0000   | PC   |                 |                 | RESISTOR;THICK FILM;22ohm;5%;0W25;SMD1206                                | [P0AAA:04: {2.0}(R31,R47)]                      | *NOT available in DP |
| 79 | 1.0000   | PC   |                 |                 | RESISTOR;THICK FILM;680ohm;5%;0W25;SMD1206                               | [P0AAA:04: {1.0}(R70)]                          | *NOT available in DP |
| 80 | 2.0000   | PC   |                 |                 | RESISTOR;METAL;4Kohm75;1%;1W;SMD2512                                     | [P0AAA:04: {2.0}(R71,R85)]                      | *NOT available in DP |
| 81 | 1.0000   | PC   | Y04-05000-05423 | I04-05000-05423 | THERMISTOR;NTC;5ohm;+/-20%;6A;DIA:15mm;PITCH:7mm5;(THINKING SCK15056MSY) | [P0AAA:04: {1.0}(VT1)]                          |                      |
| 82 | 1.0000   | PC   |                 |                 | VARISTOR;385V;0.6 W;PITCH:7.5 mm;VRMS:300V;14471K                        | [P0AAA:04: {1.0}(VT2)]                          | *NOT available in DP |
| 83 | 2.0000   | PC   |                 |                 | RESISTOR;CARBON;47ohm;5%;0W25;LEAD WIRE;HORIZONTAL 26-6mm                | [P0AC6:01: {2.0}(R1,R5)]                        | *NOT available in DP |
| 84 | 1.0000   | PC   |                 |                 | RESISTOR;CARBON;1Kohm2;5%;0W25;LEAD WIRE;HORIZONTAL 26-6mm               | [P0AC6:01: {1.0}(R6)]                           | *NOT available in DP |
| 85 | 2.0000   | PC   |                 |                 | RESISTOR;METAL;390ohm;1%;0W25;LEAD WIRE;HORIZONTAL 26-6mm                | [P0AC6:01: {2.0}(R2-R3)]                        | *NOT available in DP |
| 86 | 1.0000   | PC   |                 |                 | RESISTOR;CARBON;390ohm;5%;1W;LEAD WIRE                                   | [P0AC6:01: {1.0}(R4)]                           | *NOT available in DP |
| 87 | 1.0000   | PC   |                 |                 | RESISTOR;CARBON;4Kohm7;5%;1W;LEAD WIRE                                   | [P0AAA:04: {1.0}(R7)]                           | *NOT available in DP |

|    | Quantity | Unit | S.Sku | M.Sku | Description  | Reference Designators      | Notes                |
|----|----------|------|-------|-------|--|----------------------------|----------------------|
| 88 | 2.0000   | PC   |       |       | RESISTOR;CARBON;47Kohm;5%;1W;LEAD WIRE                                     | [P0AAA:04: {2.0}(R1,R5)]   | *NOT available in DP |
| 89 | 2.0000   | PC   |       |       | RESISTOR;CARBON;0ohm1;5%;2W;LEAD WIRE                                      | [P0AAA:04: {2.0}(R2-R3)]   | *NOT available in DP |
| 90 | 2.0000   | PC   |       |       | RESISTOR;CARBON;10ohm;5%;2W;LEAD WIRE;F-TYPE                               | [P0AAA:04: {2.0}(R11-R12)] | *NOT available in DP |
| 91 | 2.0000   | PC   |       |       | RESISTOR;CARBON;15ohm;5%;2W;LEAD WIRE;F-TYPE                               | [P0AAA:04: {2.0}(R6,R13)]  | *NOT available in DP |
| 92 | 1.0000   | PC   |       |       | RESISTOR;CARBON;22ohm;5%;2W;LEAD WIRE;TAPING                               | [P0AAA:04: {1.0}(R10)]     | *NOT available in DP |
| 93 | 2.0000   | PC   |       |       | RESISTOR;LEAD WIRE;0ohm10;1%;METAL;2W0                                     | [P0AAA:04: {2.0}(R8-R9)]   | *NOT available in DP |
| 94 | 1.0000   | PC   |       |       | RESISTOR;CEMENT;150ohm;5%;5W;LEAD WIRE;RADIAL;PITCH:5mm;PRECUT:21mm        | [P0AAA:04: {1.0}(R4)]      | *NOT available in DP |
| 95 | 1.0000   | PC   |       |       | RESISTOR;CEMENT;10Kohm;5%;5W;LEAD WIRE;RADIAL;PITCH:5mm;PRECUT:3mm1+/-0mm5 | [P0AAA:04: {1.0}(R14)]     | *NOT available in DP |

**Fader**

|   | Quantity | Unit | S.Sku | M.Sku           | Description   | Reference Designators       | Notes  |
|---|----------|------|-------|-----------------|---|-----------------------------|--|
| 1 | 7.0000   | PC   |       | I00-00001-14704 | FADER;20mm;100Kohm;TAPER;W;MONO;(SN2010NLX0X-VA1-000) | [P0AC6:01: {7.0}(VR5-VR11)] | CUTOFF: IDENTIFIED FROM VR-FADE20MMGEQ/TOPR* |
| 2 | 7.0000   | PC   |       | I00-00001-14704 | FADER;20mm;100Kohm;TAPER;W;MONO;(SN2010NLX0X-VA1-000) | [P0AC6:01: {7.0}(VR5-VR11)] | (EU, UL, UK, SAA, BR, AR, HM)                |

**Potentiometer**

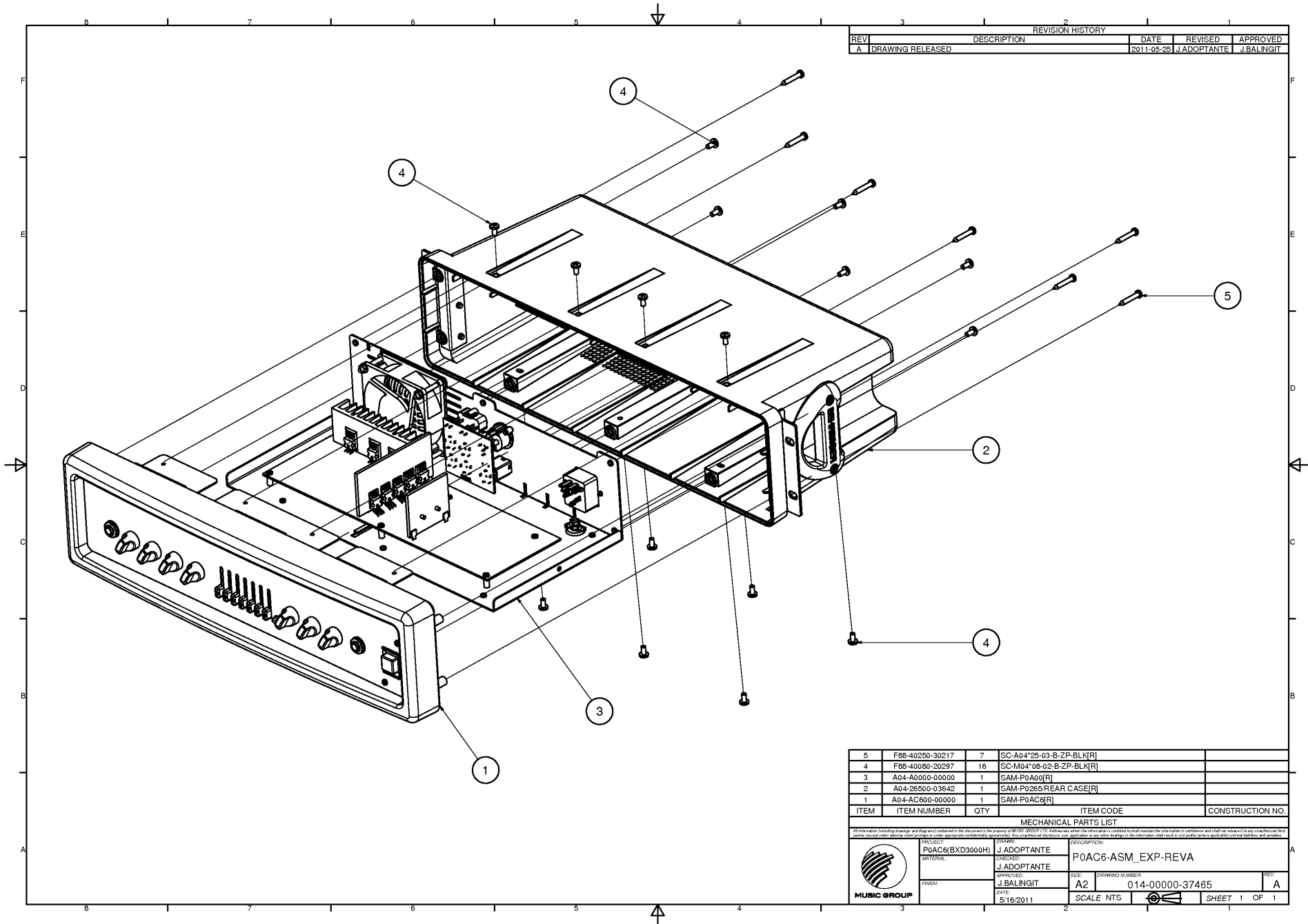
|   | Quantity | Unit | S.Sku | M.Sku           | Description  | Reference Designators                | Notes |
|---|----------|------|-------|-----------------|--|--------------------------------------|-------|
| 1 | 4.0000   | PC   |       | I03-00001-15237 | POTENTIOMETER;50Kohm;TAPER;B;MONO;D-SHAFT:30MM;W/O CC;TORQUE:60~120gf;SOUNDWELL RA0901NOX0K-HA1-750                          | [P0AC6:01: {4.0}(VR3-VR4,VR13-VR14)] |       |
| 2 | 1.0000   | PC   |       | I03-00001-15239 | POTENTIOMETER;10Kohm;TAPER;B;MONO;SHAFT:30MM;W/O CC;TORQUE:60~120gf;SOUNDWELL RA0901NOX0K-HA1-754                            | [P0AC6:01: {1.0}(VR1)]               |       |
| 3 | 1.0000   | PC   |       | I03-00001-15244 | POTENTIOMETER;50 kohm;0.050W;TAPER;A;12 %;MONO;BULK;CARBON;D-SHAFT:30MM;W/O CC;TORQUE:60-120gf;SOUNDWELL RA0901NOX0K-HA1-761 | [P0AC6:01: {1.0}(VR12)]              |       |
| 4 | 1.0000   | PC   |       | I03-00001-15360 | POTENTIOMETER;200 kohm;0.050W;TAPER;A;12 %;MONO;BULK;CARBON;SHAFT:30MM;W/O CC;TORQUE:60-120gf;SOUNDWELL RA0901NOX0K-HA1-757  | [P0AC6:01: {1.0}(VR2)]               |       |

**Switch**

|   | Quantity | Unit | S.Sku           | M.Sku           | Description   | Reference Designators      | Notes |
|---|----------|------|-----------------|-----------------|---|----------------------------|-------|
| 1 | 2.0000   | PC   | Y77-03422-02778 | I77-03422-02778 | SWITCH;RADIAL;2P2T;PCB VERSION;LOCKING;NONSHORT;RAD2P           | [P0AC6:01: {2.0}(SW2-SW3)] |       |
| 2 | 2.0000   | PC   | Y77-03822-02779 | I77-03822-02779 | SWITCH;RADIAL;2P2T;PCB VERSION;NONLOCK;NONSHORT;RAD2P/NON       | [P0AC6:01: {2.0}(SW1,SW4)] |       |
| 3 | 1.0000   | PC   |                 | I82-00001-15485 | SWITCH;PUSH;1;P1;TLOCKING;SHORTING;L                            |                            |       |
| 4 | 2.0000   | PC   | Y87-43811-03768 | I87-43811-03768 | SWITCH;TACTILE;POLES:1;HEIGHT:4mm3;PCB VERSION;NONLOCK;NONSHORT | [90100: {2.0}(SW1-SW2)]    |       |

**Transistor**

|   | Quantity | Unit | S.Sku | M.Sku | Description                                       | Reference Designators            | Notes                |
|---|----------|------|-------|-------|---|----------------------------------|----------------------|
| 1 | 1.0000   | PC   |       |       | TRANSISTOR;BD137;TO126                            | [P0AAA:04: {1.0}(T6)]            | *NOT available in DP |
| 2 | 2.0000   | PC   |       |       | TRANSISTOR;MOSFET;IRF640NPBF;INTERSIL;TO220AB     | [P0AAA:04: {2.0}(T4-T5)]         | *NOT available in DP |
| 3 | 1.0000   | PC   |       |       | TRANSISTOR;High Speed;High voltage;MJE13003;TO126 | [P0AAA:04: {1.0}(T3)]            | *NOT available in DP |
| 4 | 2.0000   | PC   |       |       | TRANSISTOR;MOSFET;FQPF13N50C;TO220F               | [P0AAA:04: {2.0}(T1-T2)]         | *NOT available in DP |
| 5 | 11.0000  | PC   |       |       | TRANSISTOR;BC846B;SOT;SMD                         | [P0AC6:01: {8.0}(T2-T7,T9,T11)]  | *NOT available in DP |
| 6 | 5.0000   | PC   |       |       | TRANSISTOR;BC856B;SOT;SMD                         | [P0AC6:01: {2.0}(T8,T10)]        | *NOT available in DP |
| 7 | 1.0000   | PC   |       |       | TRANSISTOR;MPSA56;TO92;TAPING                     | [P0AC6:01: {1.0}(T1)]            | *NOT available in DP |
| 8 | 4.0000   | PC   |       |       | TRANSISTOR;MBTA56;SOT                             | [P0AAA:04: {4.0}(T7-T8,T10,T12)] | *NOT available in DP |
| 9 | 3.0000   | PC   |       |       | TRANSISTOR;SST113;SOT                             | [P0AC6:01: {1.0}(T12)]           | *NOT available in DP |



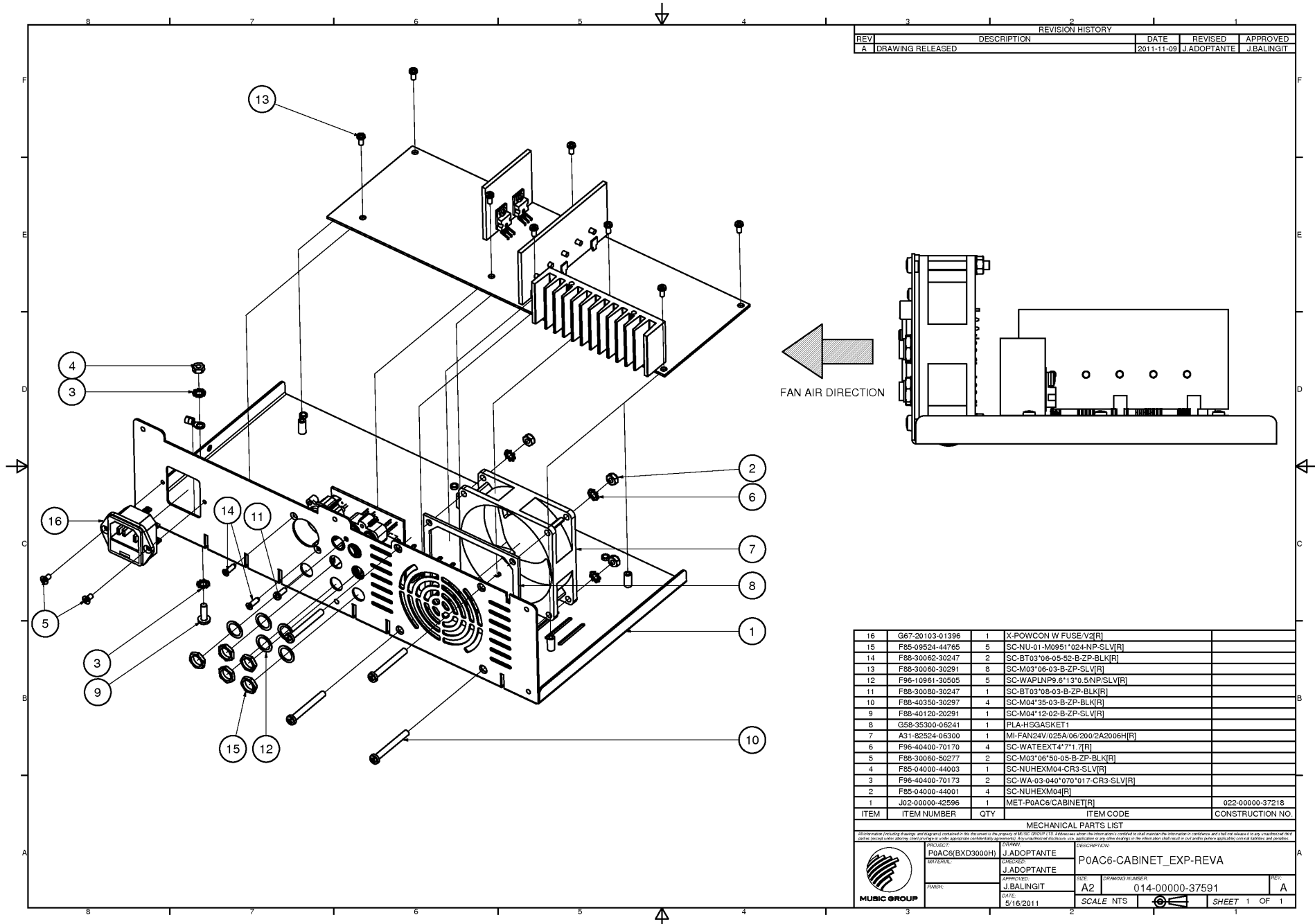
| REV |                  | REVISION HISTORY |             |            |
|-----|------------------|------------------|-------------|------------|
| REV | DESCRIPTION      | DATE             | REVISED     | APPROVED   |
| A   | DRAWING RELEASED | 2011-05-25       | J.ADOPTANTE | J.BALINGIT |

| ITEM | ITEM NUMBER     | QTY | ITEM CODE                | CONSTRUCTION NO. |
|------|-----------------|-----|--------------------------|------------------|
| 5    | F88-40250-30217 | 7   | SC-A04*25-03-B-ZP-BLK[R] |                  |
| 4    | F88-40080-20297 | 16  | SC-M04*08-02-B-ZP-BLK[R] |                  |
| 3    | A04-A0000-00000 | 1   | SAM-POA00[R]             |                  |
| 2    | A04-26500-03642 | 1   | SAM-PO265 REAR CASE[R]   |                  |
| 1    | A04-AC600-00000 | 1   | SAM-POAC6[R]             |                  |

MECHANICAL PARTS LIST

All information (including drawings and figures) contained in this document is the property of BEHRINGER GROUP LTD. Information contained herein is confidential and shall not be released in any unauthorised form without the prior written consent of BEHRINGER GROUP LTD. Information contained herein is for internal use only and should not be distributed outside the company without the prior written consent of BEHRINGER GROUP LTD. Information contained herein is for internal use only and should not be distributed outside the company without the prior written consent of BEHRINGER GROUP LTD.

|  |           |                 |          |             |                 |                    |
|--|-----------|-----------------|----------|-------------|-----------------|--------------------|
|  | PROJECT:  | POAC6(BXD3000H) | DRAWN:   | J.ADOPTANTE | DESCRIPTION:    | POAC6-ASM_EXP-REVA |
|  | DATE:     | 5/16/2011       | CHECKED: | J.ADOPTANTE | SCALE:          | A2                 |
|  | APPROVED: | J.BALINGIT      | DATE:    | 5/16/2011   | DRAWING NUMBER: | 014-00000-37465    |
|  |           |                 |          |             | REV:            | A                  |
|  |           |                 |          |             | SCALE NTS:      |                    |
|  |           |                 |          |             | SHEET           | 1 OF 1             |



| REV |                  | REVISION HISTORY |             |            |
|-----|------------------|------------------|-------------|------------|
| REV | DESCRIPTION      | DATE             | REVISED     | APPROVED   |
| A   | DRAWING RELEASED | 2011-11-09       | J.ADOPTANTE | J.BALINGIT |

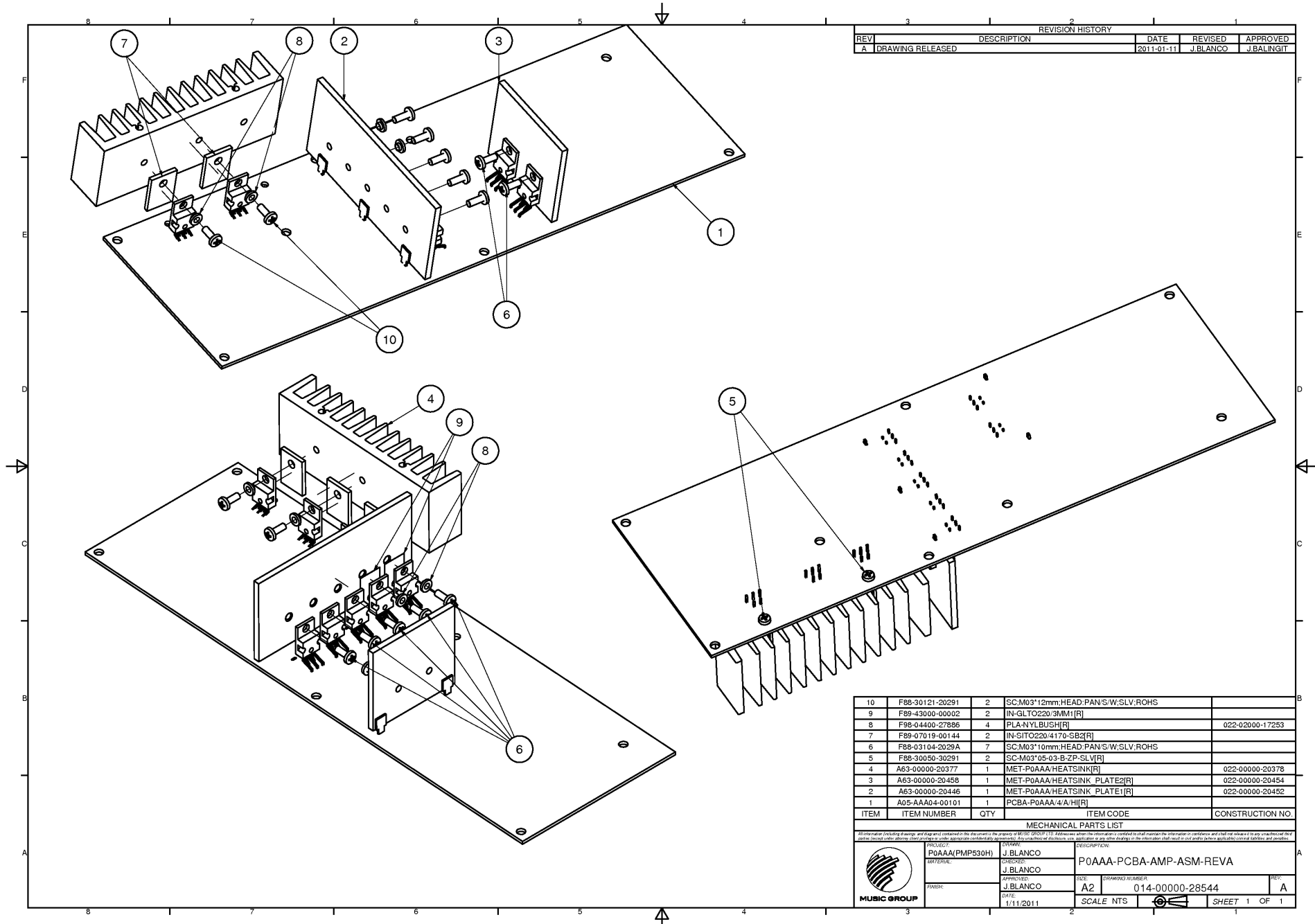
| ITEM | ITEM NUMBER     | QTY | ITEM CODE                        | CONSTRUCTION NO. |
|------|-----------------|-----|----------------------------------|------------------|
| 16   | G67-20103-01396 | 1   | X-POWCON W FUSE/V3[R]            |                  |
| 15   | F85-09524-44765 | 5   | SC-NU-01-M0951*024-NP-SLV[R]     |                  |
| 14   | F88-30062-30247 | 2   | SC-BT03*06-05-52-B-ZP-BLK[R]     |                  |
| 13   | F88-30060-30291 | 8   | SC-M03*06-03-B-ZP-SLV[R]         |                  |
| 12   | F96-10961-30505 | 5   | SC-WAPLNP9.6*13*0.5NP/SLV[R]     |                  |
| 11   | F88-30080-30247 | 1   | SC-BT03*08-03-B-ZP-BLK[R]        |                  |
| 10   | F88-40350-30297 | 4   | SC-M04*35-03-B-ZP-BLK[R]         |                  |
| 9    | F88-40120-20291 | 1   | SC-M04*12-02-B-ZP-SLV[R]         |                  |
| 8    | G58-35300-06241 | 1   | PLA-HSGASKET 1                   |                  |
| 7    | A31-82524-06300 | 1   | MI-FAN24V/025A/06/200/2A2006H[R] |                  |
| 6    | F96-40400-70170 | 4   | SC-WATEEXT4*7*1.7[R]             |                  |
| 5    | F88-30060-50277 | 2   | SC-M03*06*50-05-B-ZP-BLK[R]      |                  |
| 4    | F85-04000-44003 | 1   | SC-NUHEXM04-CR3-SLV[R]           |                  |
| 3    | F96-40400-70173 | 2   | SC-WA-03-040*070*017-CR3-SLV[R]  |                  |
| 2    | F85-04000-44001 | 4   | SC-NUHEXM04[R]                   |                  |
| 1    | J02-00000-42596 | 1   | MET-POAC6-CABINET[R]             | 022-00000-37218  |

MECHANICAL PARTS LIST

|  |           |                 |          |             |                 |                        |
|--|-----------|-----------------|----------|-------------|-----------------|------------------------|
|  | PROJECT:  | POAC6(BXD3000H) | DRAWN:   | J.ADOPTANTE | DESCRIPTION:    | POAC6-CABINET_EXP-REVA |
|  | DATE:     |                 | CHECKED: | J.ADOPTANTE | SCALE:          | A2                     |
|  | APPROVED: | J.BALINGIT      | DATE:    | 5/16/2011   | DRAWING NUMBER: | 014-00000-37591        |
|  | DATE:     |                 |          |             |                 |                        |

SHEET 1 OF 1



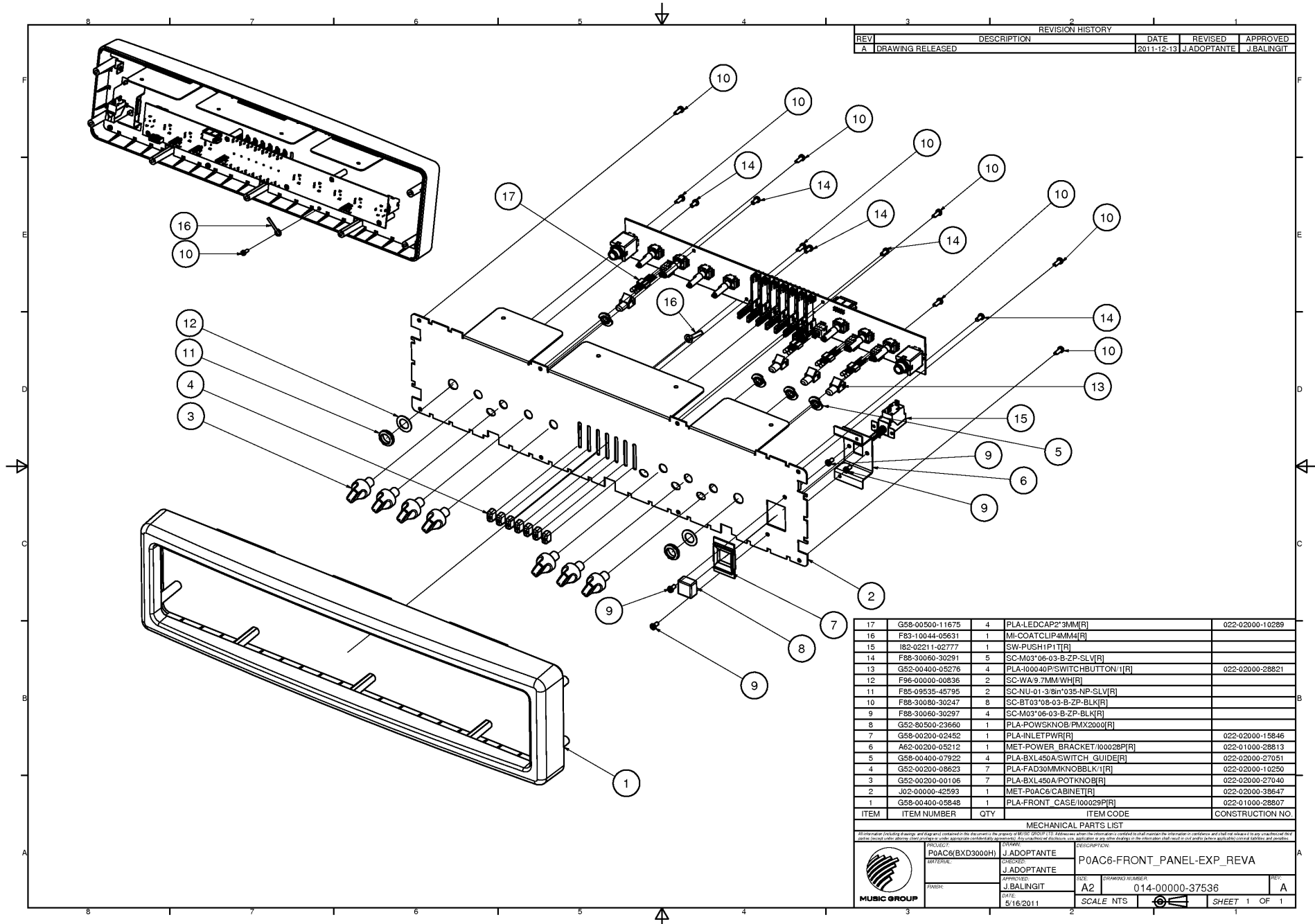


| REVISION HISTORY |                  | DATE       | REVISED  | APPROVED   |
|------------------|------------------|------------|----------|------------|
| REV              | DESCRIPTION      |            |          |            |
| A                | DRAWING RELEASED | 2011-01-11 | J.BLANCO | J.BALINGIT |

| ITEM | ITEM NUMBER     | QTY | ITEM CODE                         | CONSTRUCTION NO. |
|------|-----------------|-----|-----------------------------------|------------------|
| 10   | F88-30121-20291 | 2   | SC-M03*12mm-HEAD-PAN/S-W:SLV:ROHS |                  |
| 9    | F89-43000-00002 | 2   | IN-GLT0220/3MM1[R]                |                  |
| 8    | F98-04400-27886 | 4   | PLA-NYLBU5H[R]                    | 022-02000-17283  |
| 7    | F89-07019-00144 | 2   | IN-SITO220/4170-SB2[R]            |                  |
| 6    | F88-03104-2029A | 7   | SC-M03*10mm-HEAD-PAN/S-W:SLV:ROHS |                  |
| 5    | F88-30050-30291 | 2   | SC-M03*05-03-B-ZP-SLV[R]          |                  |
| 4    | A63-00000-20377 | 1   | MET-P0AAA-HEATSINK[R]             | 022-00000-20378  |
| 3    | A63-00000-20458 | 1   | MET-P0AAA-HEATSINK PLATE2[R]      | 022-00000-20454  |
| 2    | A63-00000-20446 | 1   | MET-P0AAA-HEATSINK PLATE1[R]      | 022-00000-20452  |
| 1    | A05-AAA04-00101 | 1   | PCBA-P0AAA-4/A/HI[R]              |                  |

**MECHANICAL PARTS LIST**

|                         |                   |                                      |
|-------------------------|-------------------|--------------------------------------|
| PROJECT: P0AAA(PMP530H) | DATE: 1/11/2011   | DESCRIPTION: P0AAA-PCBA-AMP-ASM-REVA |
| DRAWN: J.BLANCO         | CHECKED: J.BLANCO | SIZE: A2                             |
| APPROVED: J.BLANCO      | DATE: 1/11/2011   | DRAWING NUMBER: 014-00000-28544      |
| SCALE: NTS              |                   | SHEET: 1 OF 1                        |



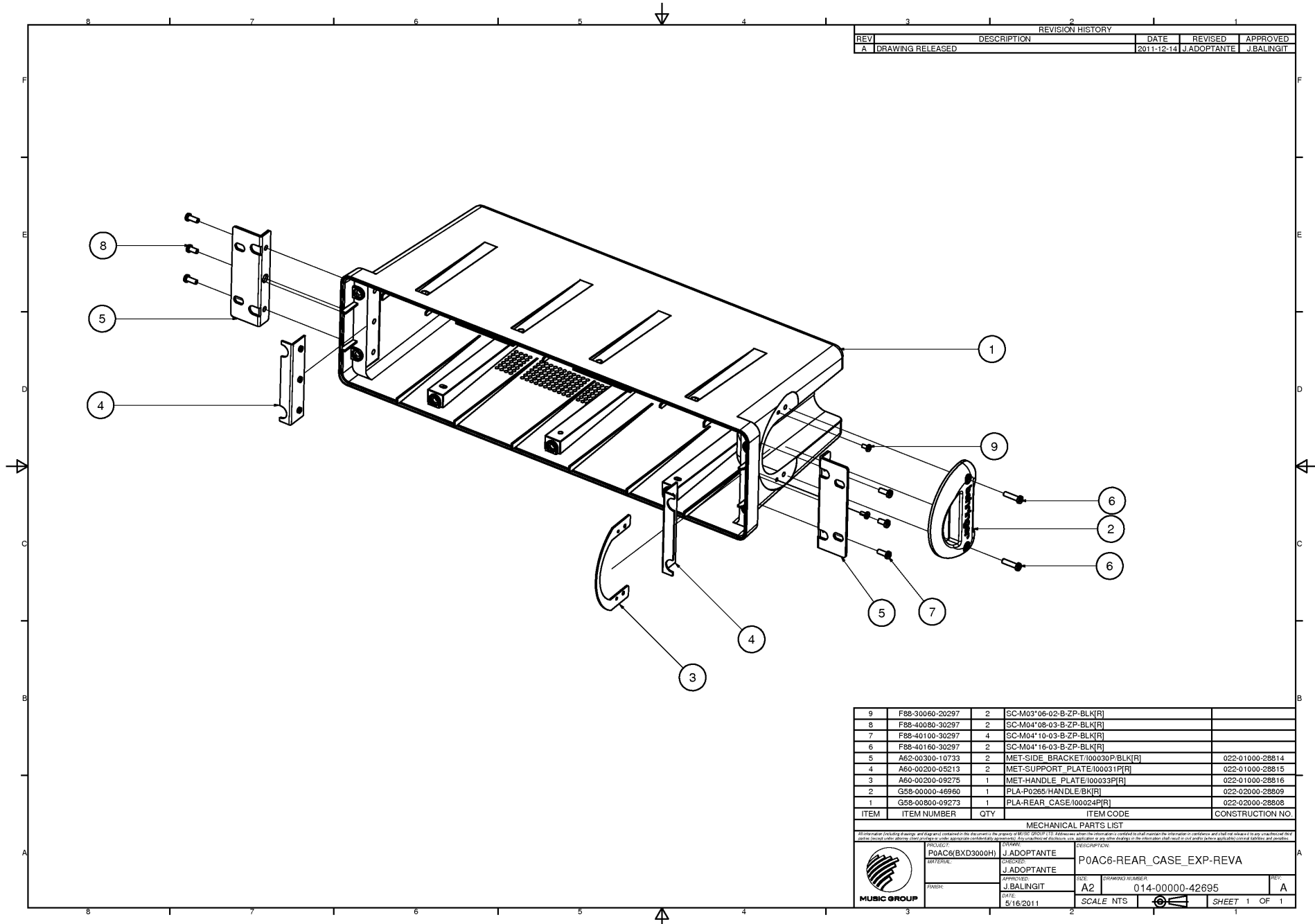
| REV |  | DESCRIPTION      |  | REVISION HISTORY |             |            |
|-----|--|------------------|--|------------------|-------------|------------|
| A   |  | DRAWING RELEASED |  | DATE             | REVISED     | APPROVED   |
|     |  |                  |  | 2011-12-13       | J.ADOPTANTE | J.BALINGIT |

| ITEM | ITEM NUMBER     | QTY | ITEM CODE                     | CONSTRUCTION NO. |
|------|-----------------|-----|-------------------------------|------------------|
| 17   | G58-00500-11675 | 4   | PLA-LEDCAP2*3MM[R]            | 022-02000-10289  |
| 16   | F83-10044-05631 | 1   | MI-COATCLIP4MM4[R]            |                  |
| 15   | I82-02211-02777 | 1   | SW-PUSH1P1T[R]                |                  |
| 14   | F88-30060-30291 | 5   | SC-M03*06-03-B-ZP-SLV[R]      |                  |
| 13   | G52-00400-05276 | 4   | PLA-100040P/SWITCHBUTTON/1[R] | 022-02000-28821  |
| 12   | F96-00000-00836 | 2   | SC-WA9.7MM*WH[R]              |                  |
| 11   | F85-09535-45795 | 2   | SC-NU-01-3.8in*035-NP-SLV[R]  |                  |
| 10   | F88-30080-30247 | 8   | SC-BT03*08-03-B-ZP-BLK[R]     |                  |
| 9    | F88-30060-30297 | 4   | SC-M03*06-03-B-ZP-BLK[R]      |                  |
| 8    | G52-80500-23660 | 1   | PLA-POWSKNOB/PMX200[R]        |                  |
| 7    | G58-00200-02452 | 1   | PLA-INLETPWR[R]               | 022-02000-15846  |
| 6    | A62-00200-05212 | 1   | MET-POWER BRACKET/100028P[R]  | 022-01000-28813  |
| 5    | G58-00400-07922 | 4   | PLA-BXL450A/SWITCH GUIDE[R]   | 022-02000-27051  |
| 4    | G52-00200-08623 | 7   | PLA-FAD30MMKNOBBLK/1[R]       | 022-02000-10250  |
| 3    | G52-00200-00106 | 7   | PLA-BXL450A/POTKNOB[R]        | 022-02000-27040  |
| 2    | J02-00000-42593 | 1   | MET-POAC6/CABINET[R]          | 022-02000-38647  |
| 1    | G58-00400-05848 | 1   | PLA-FRONT CASE/100029P[R]     | 022-01000-28807  |

MECHANICAL PARTS LIST

All information (including drawings and tags) contained in this document is the property of MUSIC GROUP LTD. Reference herein to the information contained in this document is confined and shall not be used in any unauthorised way without the prior written consent of MUSIC GROUP LTD. Reference to any specific company or product name does not constitute an endorsement or approval of the information contained in this document. All rights reserved. No part of this document may be reproduced, stored in a retrieval system or transmitted in any form or by any means, electronic, mechanical, photocopying, recording, or by any information storage and retrieval system, without the prior written permission of MUSIC GROUP LTD.

|                          |                      |   |
|--------------------------|----------------------|---|
| PROJECT: POAC6(BXD3000H) | DRAWN: J.ADOPTANTE   | DESCRIPTION: POAC6-FRONT_PANEL-EXP_REVA |
| DATE: 5/16/2011          | CHECKED: J.ADOPTANTE |   |
| APPROVED: J.BALINGIT     | DATE: 5/16/2011      | SIZE: A2                                |
|                          |                      | DRAWING NUMBER: 014-00000-37536         |
|                          |                      | SHEET 1 OF 1                            |



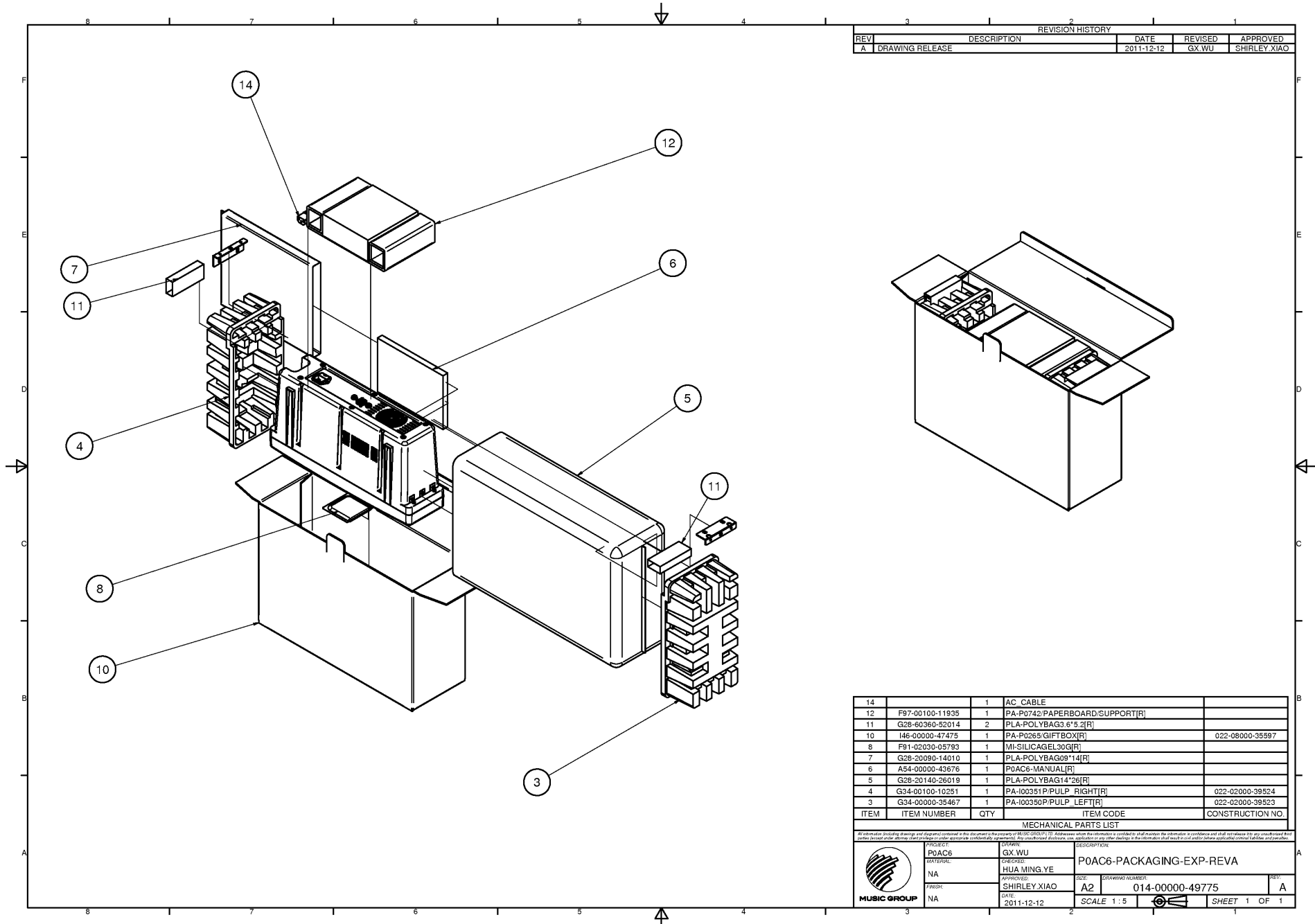
| REVISION HISTORY |                  | DATE       | REVISED     | APPROVED   |
|------------------|------------------|------------|-------------|------------|
| REV              | DESCRIPTION      |            |             |            |
| A                | DRAWING RELEASED | 2011-12-14 | J.ADOPTANTE | J.BALINGIT |

| ITEM | ITEM NUMBER     | QTY | ITEM CODE                       | CONSTRUCTION NO. |
|------|-----------------|-----|---------------------------------|------------------|
| 9    | F88-30060-20297 | 2   | SC-M03*06-02-B-ZP-BLK[R]        |                  |
| 8    | F88-40080-30297 | 2   | SC-M04*08-03-B-ZP-BLK[R]        |                  |
| 7    | F88-40100-30297 | 4   | SC-M04*10-03-B-ZP-BLK[R]        |                  |
| 6    | F88-40160-30297 | 2   | SC-M04*16-03-B-ZP-BLK[R]        |                  |
| 5    | A62-00300-10733 | 2   | MET-SIDE BRACKET/100030P/BLK[R] | 022-01000-28814  |
| 4    | A60-00200-05213 | 2   | MET-SUPPORT PLATE/100031P[R]    | 022-01000-28815  |
| 3    | A60-00200-09275 | 1   | MET-HANDLE PLATE/100033P[R]     | 022-01000-28816  |
| 2    | G58-00000-46960 | 1   | PLA-P0265/HANDLE/BK[R]          | 022-02000-28809  |
| 1    | G58-00800-09273 | 1   | PLA-REAR CASE/100024P[R]        | 022-02000-28808  |

**MECHANICAL PARTS LIST**

All information (including drawings and tags) contained in this document is the property of BEHRINGER GROUP LTD. Reference herein to the information contained in this information is confidential and shall not be made available to any unauthorized party without the prior written consent of BEHRINGER GROUP LTD. Reference to this information is for identification only and shall not be used for any other purpose without the prior written consent of BEHRINGER GROUP LTD.

|                          |                      |                                       |
|--------------------------|----------------------|---------------------------------------|
| PROJECT: P0AC6(BXD3000H) | DRAWN: J.ADOPTANTE   | DESCRIPTION: P0AC6-REAR_CASE_EXP-REVA |
| DATE: 5/16/2011          | CHECKED: J.ADOPTANTE |                                       |
| APPROVED: J.BALINGIT     | DATE: 5/16/2011      | SCALE: A2                             |
|                          |                      | DRAWING NUMBER: 014-00000-42695       |
|                          |                      | SHEET 1 OF 1                          |



| REV |                 | REVISION HISTORY |         |              |
|-----|-----------------|------------------|---------|--------------|
| REV | DESCRIPTION     | DATE             | REVISED | APPROVED     |
| A   | DRAWING RELEASE | 2011-12-12       | GX.WU   | SHIRLEY.XIAO |

| ITEM | ITEM NUMBER     | QTY | ITEM CODE                      | CONSTRUCTION NO. |
|------|-----------------|-----|--------------------------------|------------------|
| 14   |                 | 1   | AC CABLE                       |                  |
| 12   | F97-00100-11935 | 1   | PA-P0742/PAPERBOARD,SUPPORT[R] |                  |
| 11   | G28-60360-52014 | 2   | PLA-POLYBAG3.6'5.2[R]          |                  |
| 10   | I46-00000-47475 | 1   | PA-P0265/GIFTBOX[R]            | 022-08000-35597  |
| 8    | F91-02030-05793 | 1   | MI-SILICAGEL30G[R]             |                  |
| 7    | G28-20090-14010 | 1   | PLA-POLYBAG09*14[R]            |                  |
| 6    | A54-00000-43676 | 1   | P0AC6-MANUAL[R]                |                  |
| 5    | G28-20140-26019 | 1   | PLA-POLYBAG14*26[R]            |                  |
| 4    | G34-00100-10251 | 1   | PA-100351P/PULP RIGHT[R]       | 022-02000-39524  |
| 3    | G34-00000-35467 | 1   | PA-100350P/PULP LEFT[R]        | 022-02000-39523  |

| MECHANICAL PARTS LIST      |  |   |  |
|----------------------------|--|---|--|
|                            |  | PROJECT: P0AC6<br>DRAWN: GX.WU<br>CHECKED: HUA MING.YE<br>APPROVED: SHIRLEY.XIAO<br>DATE: 2011-12-12  |  |
| MATERIAL: NA<br>FINISH: NA |  | DESCRIPTION: P0AC6-PACKAGING-EXP-REVA<br>SIZE: A2<br>DRAWING NUMBER: 014-00000-49775<br>SHEET: 1 OF 1 |  |



We Hear You