



Service Manual

Created: 03 April 2015



EUROPORT PPA500BT

Ultra-Compact 500-Watt 6-Channel Portable PA System with Bluetooth Wireless Technology, Wireless Microphone Option, KLARK TEKNIK Multi-FX Processor and FBQ Feedback Detection

Specifications	2
PCB Schematic	3
Parts List	12
Exploded Drawing	32

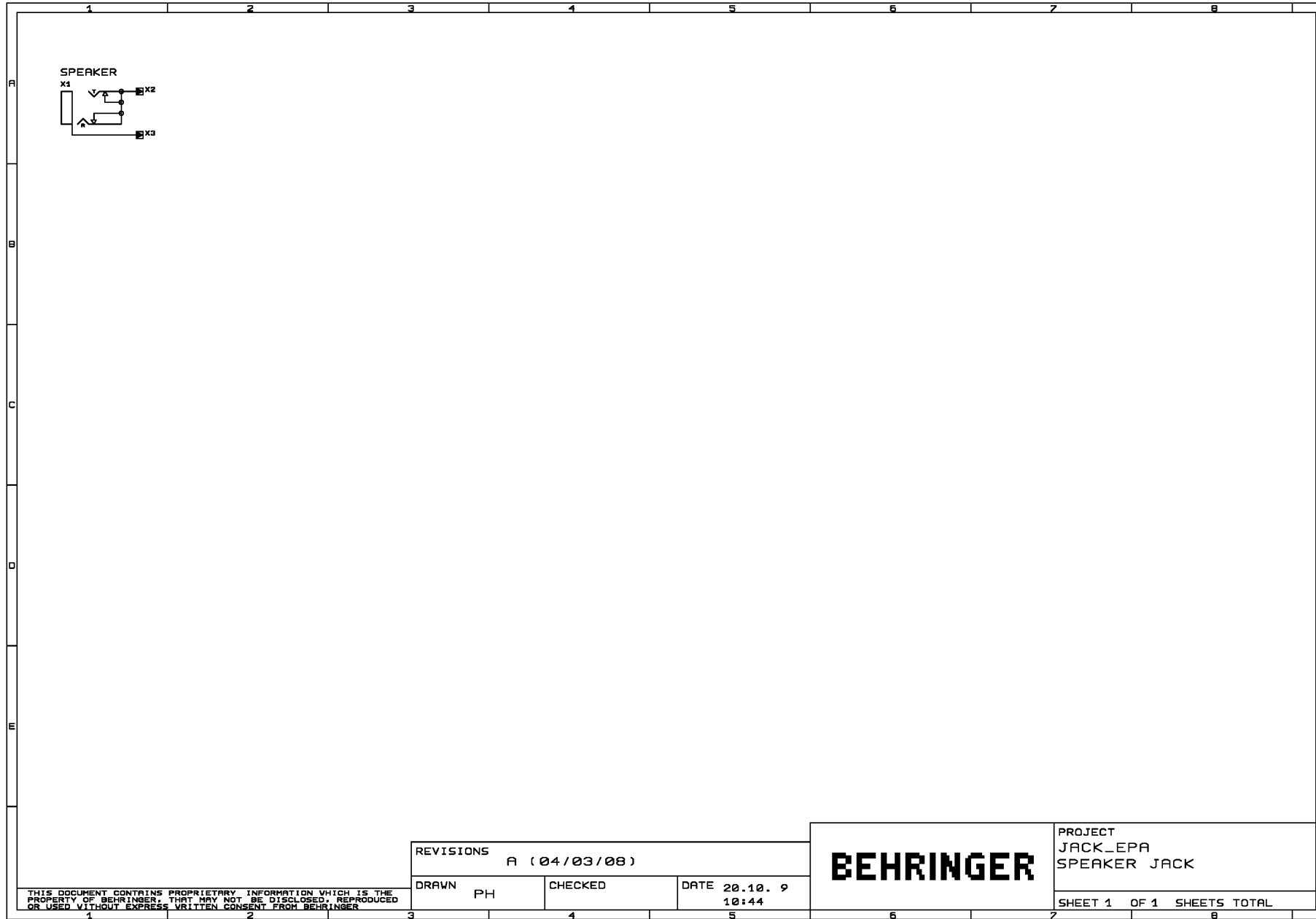
behringer.com

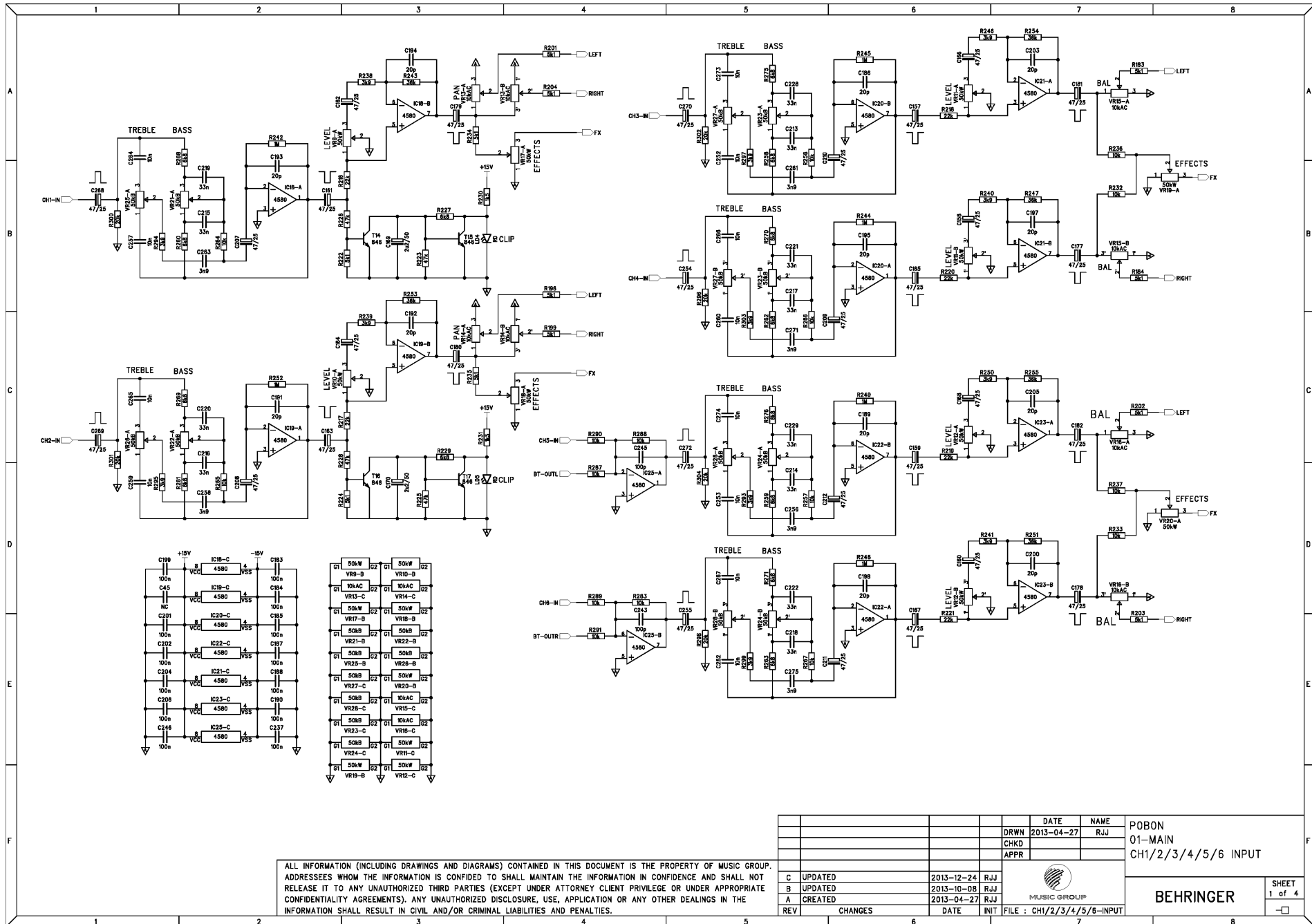


EUROPORT PPA500BT


Specifications

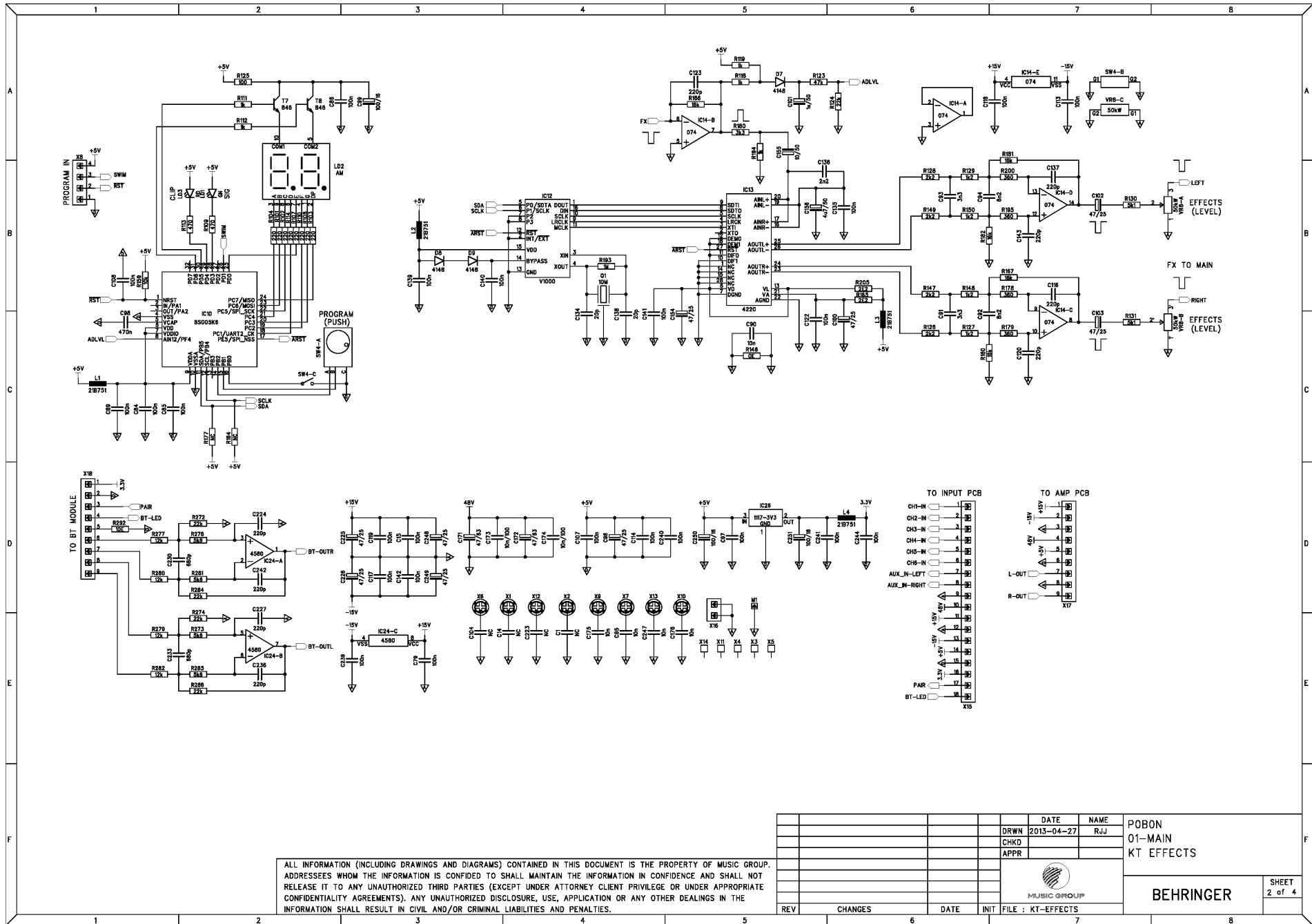
- Ultra-compact 500-Watt, 6-channel portable PA system
- Perfect for parties, schools, corporate and educational presentations, seminars, aerobics, auctioneers, working musicians, tour guides, weddings, etc.
- Enormous power, incredible sonic performance, and super-light weight means no more lugging around dead weight
- Extremely powerful 8" woofers and 1.35" aluminum-diaphragm compression drivers for incredible sound reproduction
- Connect your iPod, iPhone, iPad* or any other MP3 player via Bluetooth*
- "Wireless ready" for high-quality BEHRINGER digital wireless microphone system (not included)
- Ultra-high quality KLARK TEKNIK FX processor with 100 presets including reverb, chorus, flanger, delay, pitch shifter and various multi-effects
- Revolutionary FBQ Feedback Detection system instantly reveals critical frequencies for easy feedback removal
- 6-channel mixer section features 2 mono and 2 stereo channels
- 2 high-quality mic preamps with switchable +48 V phantom power for condenser microphones
- Effective, extremely musical 2-band EQ, switchable Pad and Clip LEDs on all mono channels
- Stereo 5-band graphic EQ allows precise frequency correction of main outputs
- Comes with a BEHRINGER XM1800S microphone, mic clip and 20' cables
- Integrated storage compartment for microphone, cables, and accessories
- "Planet Earth" switching power supply for maximum flexibility (100 - 240 V~), noise-free audio, superior transient response plus low power consumption for energy savings
- 3-Year Warranty Program**
- Conceived and designed by BEHRINGER Germany





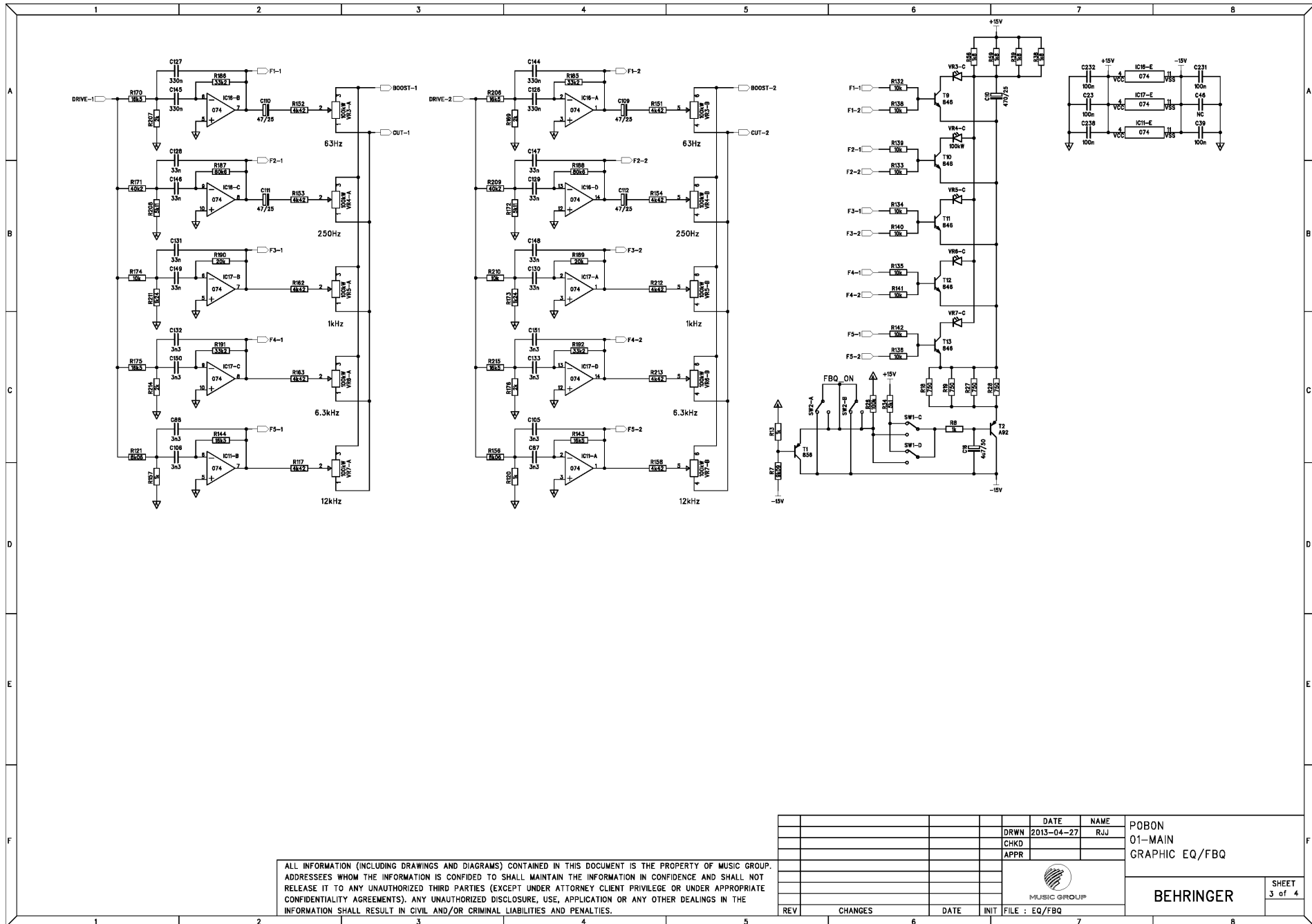
ALL INFORMATION (INCLUDING DRAWINGS AND DIAGRAMS) CONTAINED IN THIS DOCUMENT IS THE PROPERTY OF MUSIC GROUP. ADDRESSEES WHOM THE INFORMATION IS CONFIDED TO SHALL MAINTAIN THE INFORMATION IN CONFIDENCE AND SHALL NOT RELEASE IT TO ANY UNAUTHORIZED THIRD PARTIES (EXCEPT UNDER ATTORNEY CLIENT PRIVILEGE OR UNDER APPROPRIATE CONFIDENTIALITY AGREEMENTS). ANY UNAUTHORIZED DISCLOSURE, USE, APPLICATION OR ANY OTHER DEALINGS IN THE INFORMATION SHALL RESULT IN CIVIL AND/OR CRIMINAL LIABILITIES AND PENALTIES.

				DATE	NAME	POBON 01-MAIN CH1/2/3/4/5/6 INPUT
			DRWN	2013-04-27	RJJ	
			CHKD			
			APPR			
C	UPDATED	2013-12-24	RJJ			SHEET 1 of 4
B	UPDATED	2013-10-08	RJJ			
A	CREATED	2013-04-27	RJJ			
REV	CHANGES	DATE	INIT	FILE : CH1/2/3/4/5/6-INPUT	BEHRINGER <input type="checkbox"/>	



ALL INFORMATION (INCLUDING DRAWINGS AND DIAGRAMS) CONTAINED IN THIS DOCUMENT IS THE PROPERTY OF MUSIC GROUP. ADDRESSEES WHOM THE INFORMATION IS CONFIDED TO SHALL MAINTAIN THE INFORMATION IN CONFIDENCE AND SHALL NOT RELEASE IT TO ANY UNAUTHORIZED THIRD PARTIES (EXCEPT UNDER ATTORNEY CLIENT PRIVILEGE OR UNDER APPROPRIATE CONFIDENTIALITY AGREEMENTS). ANY UNAUTHORIZED DISCLOSURE, USE, APPLICATION OR ANY OTHER DEALINGS IN THE INFORMATION SHALL RESULT IN CIVIL AND/OR CRIMINAL LIABILITIES AND PENALTIES.

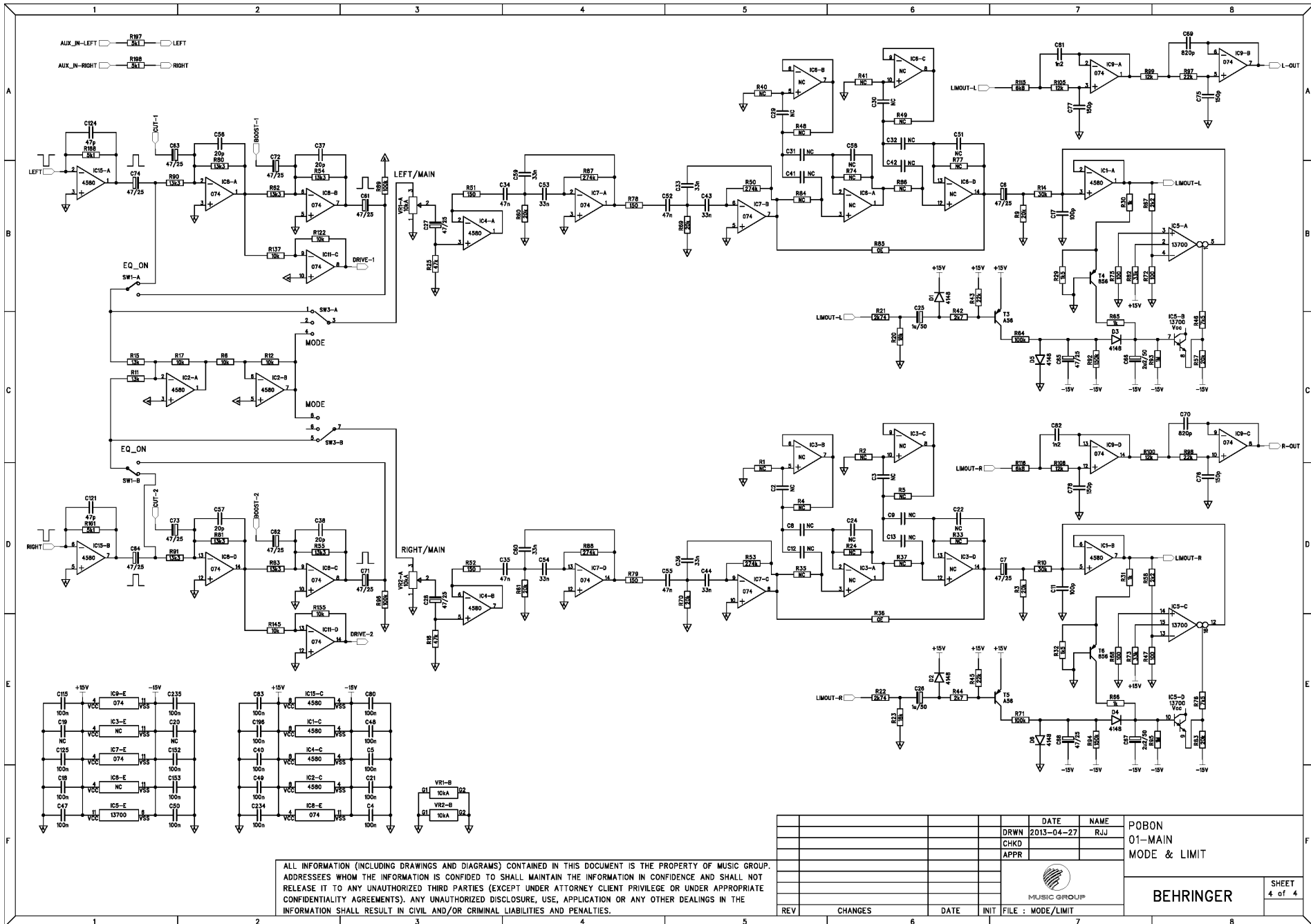
		DATE		NAME		POBON 01-MAIN KT EFFECTS
		2013-04-27		RJJ		
REV		CHANGES		DATE		
				INIT		MUSIC GROUP BEHRINGER
				FILE : KT-EFFECTS		
						SHEET
						2 of 4



ALL INFORMATION (INCLUDING DRAWINGS AND DIAGRAMS) CONTAINED IN THIS DOCUMENT IS THE PROPERTY OF MUSIC GROUP. ADDRESSEES WHOM THE INFORMATION IS CONFIDED TO SHALL MAINTAIN THE INFORMATION IN CONFIDENCE AND SHALL NOT RELEASE IT TO ANY UNAUTHORIZED THIRD PARTIES (EXCEPT UNDER ATTORNEY CLIENT PRIVILEGE OR UNDER APPROPRIATE CONFIDENTIALITY AGREEMENTS). ANY UNAUTHORIZED DISCLOSURE, USE, APPLICATION OR ANY OTHER DEALINGS IN THE INFORMATION SHALL RESULT IN CIVIL AND/OR CRIMINAL LIABILITIES AND PENALTIES.

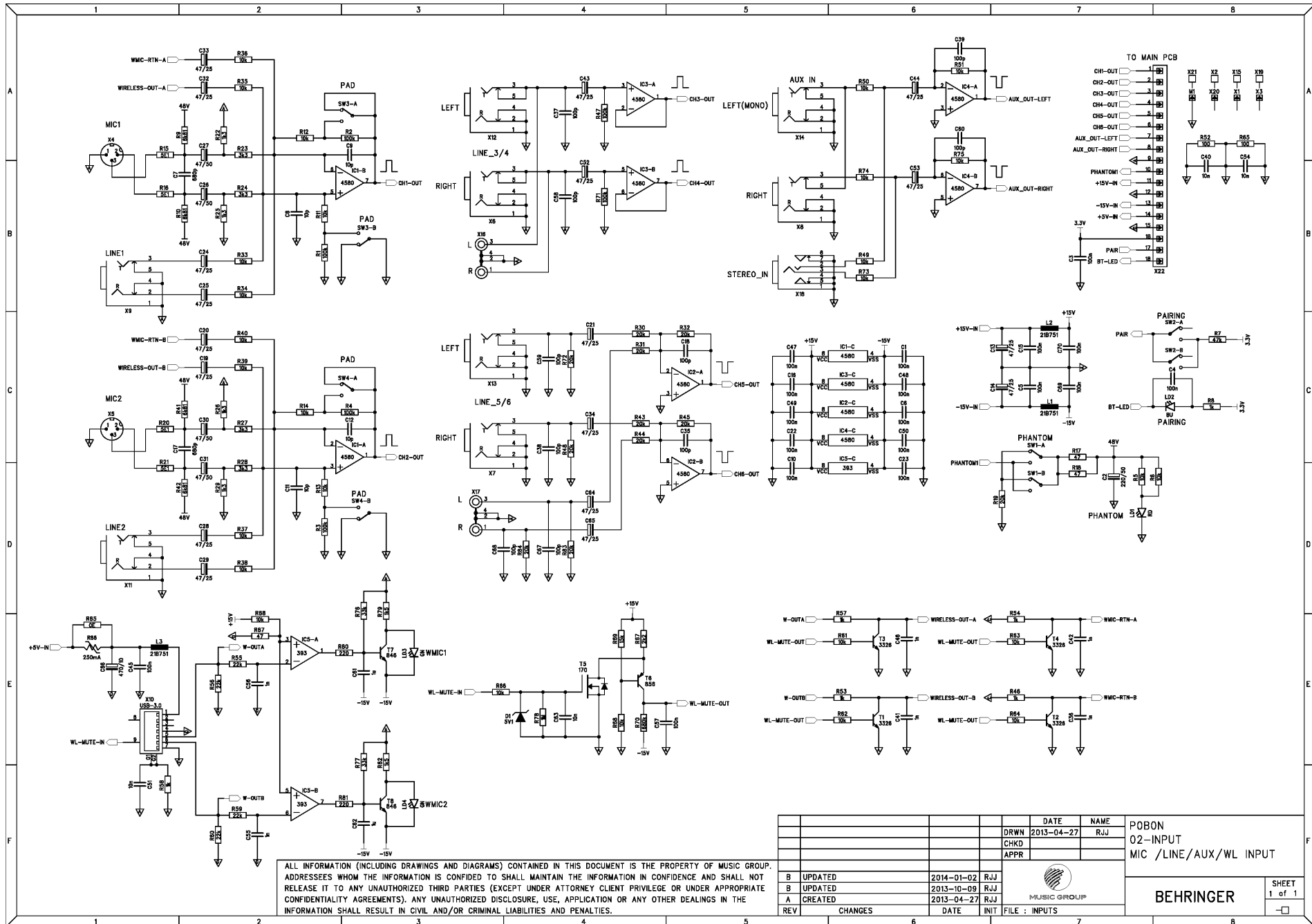
REV	CHANGES	DATE	INIT	FILE : EQ/FBQ

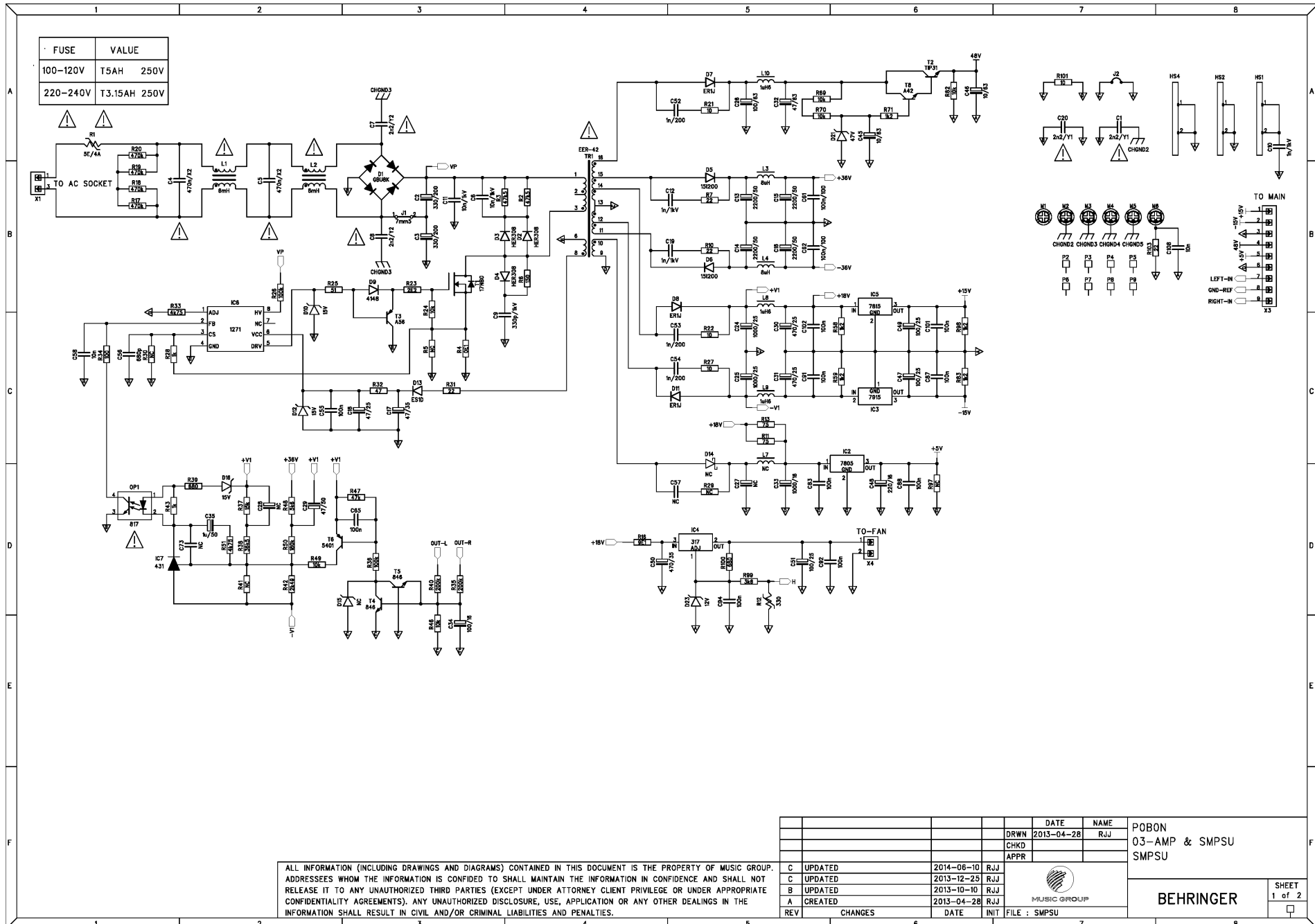
DRWN	2013-04-27	NAME	RJJ	POBON
CHKD				01-MAIN
APPR				GRAPHIC EQ/FBQ
MUSIC GROUP				BEHRINGER
				SHEET 3 of 4



ALL INFORMATION (INCLUDING DRAWINGS AND DIAGRAMS) CONTAINED IN THIS DOCUMENT IS THE PROPERTY OF MUSIC GROUP. ADDRESSEES WHOM THE INFORMATION IS CONFIDED TO SHALL MAINTAIN THE INFORMATION IN CONFIDENCE AND SHALL NOT RELEASE IT TO ANY UNAUTHORIZED THIRD PARTIES (EXCEPT UNDER ATTORNEY CLIENT PRIVILEGE OR UNDER APPROPRIATE CONFIDENTIALITY AGREEMENTS). ANY UNAUTHORIZED DISCLOSURE, USE, APPLICATION OR ANY OTHER DEALINGS IN THE INFORMATION SHALL RESULT IN CIVIL AND/OR CRIMINAL LIABILITIES AND PENALTIES.

		DATE		NAME		POBON	
		2013-04-27		RJJ		01-MAIN	
		CHKD				MODE & LIMIT	
		APPR					
						BEHRINGER	
REV	CHANGES	DATE	INIT	FILE	MODE/LIMIT		



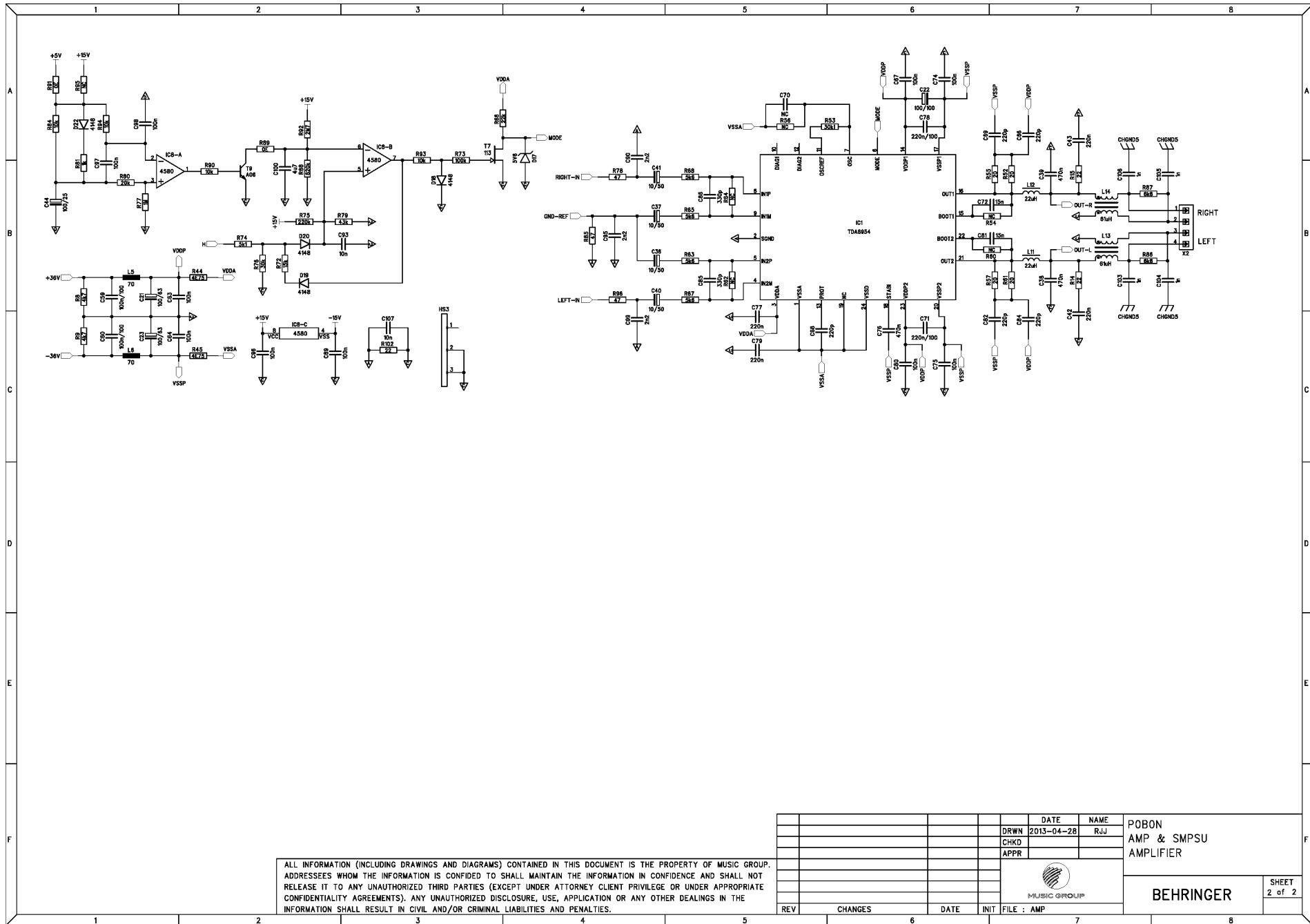


ALL INFORMATION (INCLUDING DRAWINGS AND DIAGRAMS) CONTAINED IN THIS DOCUMENT IS THE PROPERTY OF MUSIC GROUP. ADDRESSEES WHOM THE INFORMATION IS CONFIDED TO SHALL MAINTAIN THE INFORMATION IN CONFIDENCE AND SHALL NOT RELEASE IT TO ANY UNAUTHORIZED THIRD PARTIES (EXCEPT UNDER ATTORNEY CLIENT PRIVILEGE OR UNDER APPROPRIATE CONFIDENTIALITY AGREEMENTS). ANY UNAUTHORIZED DISCLOSURE, USE, APPLICATION OR ANY OTHER DEALINGS IN THE INFORMATION SHALL RESULT IN CIVIL AND/OR CRIMINAL LIABILITIES AND PENALTIES.

REV	CHANGES	DATE	INIT	FILE	DATE	NAME	DRWN	CHKD	APPR
C	UPDATED	2014-06-10	RJJ		2013-04-28	RJJ			
C	UPDATED	2013-12-25	RJJ						
B	UPDATED	2013-10-10	RJJ						
A	CREATED	2013-04-28	RJJ						

POBON	DATE	NAME
03-AMP & SMPSU	2013-04-28	RJJ
SMPSU		

BEHRINGER	SHEET
	1 of 2




ALL INFORMATION (INCLUDING DRAWINGS AND DIAGRAMS) CONTAINED IN THIS DOCUMENT IS THE PROPERTY OF MUSIC GROUP. ADDRESSEES WHOM THE INFORMATION IS CONFIDED TO SHALL MAINTAIN THE INFORMATION IN CONFIDENCE AND SHALL NOT RELEASE IT TO ANY UNAUTHORIZED THIRD PARTIES (EXCEPT UNDER ATTORNEY CLIENT PRIVILEGE OR UNDER APPROPRIATE CONFIDENTIALITY AGREEMENTS). ANY UNAUTHORIZED DISCLOSURE, USE, APPLICATION OR ANY OTHER DEALINGS IN THE INFORMATION SHALL RESULT IN CIVIL AND/OR CRIMINAL LIABILITIES AND PENALTIES.

REV	CHANGES	DATE	INIT	FILE : AMP	<table border="1"> <tr> <td>DRWN</td> <td>DATE</td> <td>NAME</td> <td rowspan="3"> POBON AMP & SMPSU AMPLIFIER BEHRINGER </td> </tr> <tr> <td>CHKD</td> <td>2013-04-28</td> <td>RJJ</td> </tr> <tr> <td>APPR</td> <td></td> <td></td> </tr> </table>	DRWN	DATE	NAME	POBON AMP & SMPSU AMPLIFIER BEHRINGER	CHKD	2013-04-28	RJJ	APPR			<table border="1"> <tr> <td>SHEET</td> <td>2 of 2</td> </tr> </table>	SHEET	2 of 2
DRWN	DATE	NAME	POBON AMP & SMPSU AMPLIFIER BEHRINGER															
CHKD	2013-04-28	RJJ																
APPR																		
SHEET	2 of 2																	



ALL INFORMATION (INCLUDING DRAWINGS AND DIAGRAMS) CONTAINED IN THIS DOCUMENT IS THE PROPERTY OF MUSIC GROUP. ADDRESSEES WHOM THE INFORMATION IS CONFIDED TO SHALL MAINTAIN THE INFORMATION IN CONFIDENCE AND SHALL NOT RELEASE IT TO ANY UNAUTHORIZED THIRD PARTIES (EXCEPT UNDER ATTORNEY CLIENT PRIVILEGE OR UNDER APPROPRIATE CONFIDENTIALITY AGREEMENTS). ANY UNAUTHORIZED DISCLOSURE, USE, APPLICATION OR ANY OTHER DEALINGS IN THE INFORMATION SHALL RESULT IN CIVIL AND/OR CRIMINAL LIABILITIES AND PENALTIES.

				DATE	NAME	POBON 04 SPEAKER
			DRWN	2011-09-28	Carry.He	
			CHKD			
			APPR			
D	UPDATED	2013-09-30	XS			 BEHRINGER
C	UPDATED	2013-09-27	XS			
B	UPDATED	2013-07-31	RL			
A	CREATED	2013-06-27	XS			
REV	CHANGES	DATE	INIT	FILE :	<undefined>	SHEET 1 of 1 <input type="checkbox"/>

Hi Pcb Assemblies

	Quantity	Unit	S.Sku	M.Sku	Description	Reference Designators	Notes
1	2.0000	PC		A05-00000-05137	PCB ASSEMBLY;JACK_EPA;REV:A;HAND INSERT;NO:804030		
2	1.0000	PC		A05-B0N01-00103	PCB ASSEMBLY;POB0N;PCB:1;REV:C;HI;MAIN		
3	1.0000	PC		A05-B0N02-00102	PCB ASSEMBLY;POB0N;PCB:2;REV:B;HI;INPUT		
4	2.0000	PC		A05-B0N04-00104	PCB ASSEMBLY;POB0N;PCB:4;REV:D;HI;SPEAKER		
5	1.0000	PC		A05-B0N05-00102	PCB ASSEMBLY;POB0N;PCB:5;REV:B;HI;SPEAKER OUTPUT		
6	1.0000	PC	Q05-B0N03-00103	A05-B0N03-00103	PCB ASSEMBLY;POB0N;PCB:3;REV:C;HI;PSU_AMP		(EU, UL, UK, SAA, BR, AR, HM, SH)
7	1.0000	PC	Q05-B0N03-00103	A05-B0N03-00103	PCB ASSEMBLY;POB0N;PCB:3;REV:C;HI;PSU_AMP		

Cable

	Quantity	Unit	S.Sku	M.Sku	Description	Reference Designators	Notes
1	1.0000	PC	Q70-15321-04393	A70-15321-04393	CABLE;2*RCA-PLUG 3mm5;PLATING:NICKEL;PLUG COLORS:RED/WHITE-BLACK;CABLES:2;CORES:2;LENGTH:1530mm;CABLE COLOR:BLACK		
2	2.0000	PC	Q70-61011-04824	A70-61011-04824	CABLE;SPEAKER;BLACK RIGHT ANGLE PLUGS;SILVER WHITE;PHONE PLUG 6mm3 MONO+BLACK OD:6mm5 PVC+PHONE PLUG 6mm3 MONO		
3	1.0000	PC	Q70-61031-02507	A70-61031-02507	CABLE;XLR FEMALE PLUG +6m10+XLR MALE PLUG;MIC;BLACK		
4	0.2140	M		A74-00000-00718	WIRE;RAW FLAT CABLE;UL2651;AWG:28;POLES:18;GRAY;PIN1:RED;PITCH:1mm27		
5	1.0000	PC		A74-00000-85062	CABLE;FLAT;LENGTH:200 MM;AWG:28;UL2651;PITCH:2.54 MM;POLES:18;PIN1 RED;FC-18P;FD-18P	[POB0N:2: {1.0}(X22)]	
6	1.0000	PC		A81-00000-08090	WIRE HARNESS;AWG:18;UL1015;3.96 MM;4;COMMON;70 MM;ALL BLACK PIN1 RED	[POB0N:5: {1.0}(X5)]	
7	1.0000	PC		A81-00000-85064	WIRE HARNESS;LENGTH:300 MM;AWG:26;UL2468;PITCH:2 MM;POLES:9;2PCS-A2006H	[POB0N:00: {1.0}(X17)]	
8	1.0000	PC		A81-00000-91703	WIRE HARNESS;LENGTH:160 MM;AWG:26;UL2468;PITCH:2 MM;POLES:9;2A2006H-9P;ADD TUBE	[POB0N:00: {1.0}(X18)]	
9	1.0000	PC		A87-00000-91702	CABLE ASSEMBLY;STRAND WIRE;LENGTH:70 MM;AWG:18;UL1672;PITCH:3.96 MM;POLES:3;BROWN;JS1121-3P;NO PIN2;S/T:7MM	[:{1.0}(X1)]	
10	0.0000	PC		A88-40019-04709	CABLE;LENGTH:400mm;STRIP LENGTH:7mm;POLES:2;AWG16;UL1007		
11	2.0000	PC		A88-40019-06574	CABLE;LENGTH:400mm;ZEE;STRIP LENGTH:7mm;POLES:2;AWG16;UL1007		
12	1.0000	PC	Q76-00000-01873	A76-00000-01873	CABLE;AC-CORD;AWG:14;UL1571;3;1500 MM;CABL:AC-CORD;3P;AWG14;150cm		(UL)
13	1.0000	PC	Q76-15020-00253	A76-15020-00253	CABLE;AC-CORD;CLASS II;JAPAN;W/POLYBAG;LENGTH:150cm;POLES:3;APPROVAL:PSE;PLUG S:M744 + VCTF 3x2.0mm2 + V1625BS;(VOLEX 052603/2)		(HM, SH)
14	1.0000	PC	Q76-15042-05624	A76-15042-05624	CABLE;AC-CORD;W/POLYBAG;LENGTH:150cm;H05VV-F3G0.75MM2;VERSION;UK;SPEC.NO:05624		(UK)
15	1.0000	PC	Q76-00000-05305	A76-00000-05305	CABLE;AC-CORD;3;BR;1500 MM;Plug + Connector:375+730;H05VV-F 3G0.75		(BR)
16	1.0000	PC	Q76-15212-03119	A76-15212-03119	CABLE;AC-CORD;W/POLYBAG;LENGTH:152cm;H05VV-F 3G 0.75MM2;VERSION;EU;SPEC.NO:03119		(EU)
17	1.0000	PC	Q76-00000-13573	A76-00000-13573	CABLE;AC-CORD;3;AR;1500 MM;Plug + Connector:321+730;H05VV-F 3G0.75		(AR)
18	1.0000	PC		A76-18050-06505	CABLE;AC-CORD;LENGTH:180cm;VERSION:SAA;PLUG:HE105 ISOLATED;SAA H05VV-F 3x0.75mm2;CONN.HP-3;PANYU		(SAA)
19	1.0000	PC		A87-00000-91882	CABLE ASSEMBLY;STRAND WIRE;LENGTH:30 MM;AWG:18;UL1672;BROWN;S/T:7MM		(EU, UL, UK, SAA, BR, AR, HM, SH)
20	1.0000	PC		A76-15020-45715	CABLE;AC-CORD;W/POLYBAG;LENGTH:150cm;POLES:3;APPROVALS:UL/CSA;PLUGS:PHP-301 + SJT14/3 105C BWG BLK PVC LEAD-FREE + PHS301		(UL)
21	1.0000	PC		A87-00000-91882	CABLE ASSEMBLY;STRAND WIRE;LENGTH:30 MM;AWG:18;UL1672;BROWN;S/T:7MM		
22	1.0000	PC	Q76-18050-47490	A76-18050-47490	CABLE;AC-CORD;LENGTH:180cm;VERSION:SAA;PLUG:HE105 ISOLATED;SAA H05VV-F 3x0.75mm2;CONN.HP-3;SPEC.NO:47490		(SAA)

Capacitor

	Quantity	Unit	S.Sku	M.Sku	Description	Reference Designators	Notes
1	1.0000	PC			CAP E;470uF;10V;PITCH:2mm5;6mm3 x 11mm;VERTICAL 12.7-15-9mm	[POB0N:2: {1.0}(C66)]	*NOT available in DP
2	1.0000	PC			CAP E;220uF;16V;PITCH:2mm5;6.3mm x 12mm;VERTICAL 12.7-15-9mm	[POB0N:3: {1.0}(C48)]	*NOT available in DP
3	1.0000	PC			CAP E;1mF;16V;PITCH:5mm;10mm x 16mm;VERTICAL 12.7-15-9mm	[POB0N:3: {1.0}(C33)]	*NOT available in DP
4	4.0000	PC			CAP E;100uF;25V;PITCH:2mm5;6mm x 12mm;VERTICAL 12.7-15-9mm	[POB0N:3: {4.0}(C44,C47,C49,C51)]	*NOT available in DP
5	2.0000	PC			CAP E;470uF;25V;PITCH:5mm;10mm x 16mm;VERTICAL 12.7-15-9mm	[POB0N:3: {2.0}(C30-C31)]	*NOT available in DP
6	1.0000	PC			CAP E;470uF;25V;PITCH:5mm;10mm x 13mm;VERTICAL 12.7-15-9mm	[POB0N:1: {1.0}(C10)]	*NOT available in DP
7	1.0000	PC			CAP E;47uF;35V;PITCH:2mm5;6mm x 11mm;VERTICAL 12.7-15-9mm	[POB0N:3: {1.0}(C17)]	*NOT available in DP
8	4.0000	PC			CAP E;2uF2;50V;PITCH:2mm5;5mm x 11mm;VERTICAL 12.7-15-9mm	[POB0N:1: {4.0}(C66-C67,C169-C170)]	*NOT available in DP
9	2.0000	PC			CAP E;4uF7;50V;PITCH:2mm5;5mm x 11mm;VERTICAL 12.7-15-9mm	[POB0N:1: {2.0}(C16,C156)]	*NOT available in DP
10	1.0000	PC			CAP E;47uF;50V;PITCH:2mm5;6mm x 11mm;VERTICAL 12.7-15-9mm	[POB0N:3: {1.0}(C29)]	*NOT available in DP
11	2.0000	PC			CAP E;10uF;63V;PITCH:2mm5;6mm3 x 11mm;VERTICAL 12.7-15-9mm	[POB0N:3: {2.0}(C45-C46)]	*NOT available in DP
12	1.0000	PC			CAP E;100uF;63V;PITCH:5mm;10mm x 13mm;VERTICAL 12.7-15-9mm	[POB0N:3: {1.0}(C26)]	*NOT available in DP
13	1.0000	PC			CAP E;220uF;50V;PITCH:3mm5;8mm x 16mm;PRECUT:3mm2 - 0/+0mm2	[POB0N:2: {1.0}(C2)]	*NOT available in DP
14	4.0000	PC			CAP CER;1 nF;100 V;COG;5 %;SMD805	[POB0N:3: {4.0}(C103-C106)]	*NOT available in DP
15	1.0000	PC			CAP CER;470nF;10V;X5R;10%;SMT603;(MURATA GRM188R61A474KA61D)	[POB0N:1: {1.0}(C98)]	*NOT available in DP
16	4.0000	PC			CAP CER;330nF;16V;X7R;10%;SMT805	[POB0N:1: {4.0}(C126-C127,C144-C145)]	*NOT available in DP
17	1.0000	PC			CAP CER;100nF;25V;X5R;10%;SMT603	[POB0N:3: {1.0}(C65)]	*NOT available in DP
18	1.0000	PC			CAP CER;4.7 uF;25 V;X7R;10 %;SMD1206	[POB0N:3: {1.0}(C100)]	*NOT available in DP
19	4.0000	PC			CAP CER;10pF;50V;10%;SMT603	[POB0N:2: {4.0}(C8-C9,C11-C12)]	*NOT available in DP
20	18.0000	PC			CAP CER;20pF;50V;20%;SMT603	[POB0N:1: {18.0}(C37-C38,C56-C57,C134,C138,C186,C189,C191-C195,C197-C198,C200,C203,C205)]	*NOT available in DP
21	2.0000	PC			CAP CER;47pF;50V;5%;COG(NPO);SMT603	[POB0N:1: {2.0}(C121,C124)]	*NOT available in DP
22	14.0000	PC			CAP CER;100pF;50V;20%;SMT603	[POB0N:1: {4.0}(C11,C17,C243,C245)]	*NOT available in DP
23	4.0000	PC			CAP CER;150pF;50V;10%;SMT603	[POB0N:1: {4.0}(C75-C78)]	*NOT available in DP
24	2.0000	PC			CAP CER;330pF;50V;COG;5%;SMD603	[POB0N:3: {2.0}(C85-C86)]	*NOT available in DP
25	2.0000	PC			CAP CER;680pF;50V;COG;5%;SMD603	[POB0N:1: {2.0}(C230,C233)]	*NOT available in DP
26	2.0000	PC			CAP CER;820pF;50V;10%;SMT603	[POB0N:1: {2.0}(C69-C70)]	*NOT available in DP
27	6.0000	PC			CAP CER;1nF;50V;10%;SMT603	[POB0N:2: {6.0}(C36,C41-C42,C46,C55-C56)]	*NOT available in DP
28	2.0000	PC			CAP CER;1nF2;50V;10%;SMT603	[POB0N:1: {2.0}(C81-C82)]	*NOT available in DP
29	2.0000	PC			CAP CER;3nF3;50V;10%;SMT603	[POB0N:1: {2.0}(C91,C93)]	*NOT available in DP
30	2.0000	PC			CAP CER;8nF2;50V;10%;SMT603	[POB0N:1: {2.0}(C92,C94)]	*NOT available in DP
31	1.0000	PC			CAP CER;10nF;50V;X7R;10%;SMT603	[POB0N:3: {1.0}(C58)]	*NOT available in DP
32	2.0000	PC			CAP CER;15nF;50V;10%;SMT603	[POB0N:3: {2.0}(C72,C81)]	*NOT available in DP
33	8.0000	PC			CAP CER;33nF;50V;10%;SMT603	[POB0N:1: {8.0}(C33,C36,C43-C44,C53-C54,C59-C60)]	*NOT available in DP
34	4.0000	PC			CAP CER;47nF;50V;10%;SMD603	[POB0N:1: {4.0}(C34-C35,C52,C55)]	*NOT available in DP
35	8.0000	PC			CAP CER;3nF3;50V;5%;SMT805	[POB0N:1: {8.0}(C87-C88,C105-C106,C132-C133,C150-C151)]	*NOT available in DP
36	1.0000	PC			CAP CER;10nF;50V;10%;SMT805	[POB0N:3: {1.0}(C108)]	*NOT available in DP
37	1.0000	PC			CAP CER;10nF;50V;X7R;10%;SMD805	[POB0N:3: {1.0}(C107)]	*NOT available in DP

	Quantity	Unit	S.Sku	M.Sku	Description	Reference Designators	Notes
38	8.0000	PC			CAP CER;33nF;50V;5%;SMT805	[P0B0N:1: {8.0}(C128-C131,C146-C149)]	*NOT available in DP
39	7.0000	PC			CAP CER;100nF;50V;X7R;10%;SMT805	[P0B0N:3: {7.0}(C55,C63-C64,C67,C74-C75,C80)]	*NOT available in DP
40	2.0000	PC			CAP CER;220nF;50V;10%;SMT805	[P0B0N:3: {2.0}(C77,C79)]	*NOT available in DP
41	1.0000	PC			CAP CER;470nF;50V;10%;SMT805	[P0B0N:3: {1.0}(C76)]	*NOT available in DP
42	2.0000	PC			CAP CER;1uF;50V;X7R;10%;SMD805	[P0B0N:2: {2.0}(C61-C62)]	*NOT available in DP
43	2.0000	PC			CAP CER;10nF;100V;10%;SMT805	[P0B0N:1: {2.0}(C173-C174)]	*NOT available in DP
44	4.0000	PC			CAP CER;100nF;100V;X7R;10%;SMD1206	[P0B0N:3: {4.0}(C59-C62)]	*NOT available in DP
45	2.0000	PC			CAP CER;220nF;100V;X7R;10%;SMT1210	[P0B0N:3: {2.0}(C71,C78)]	*NOT available in DP
46	12.0000	PC			CAP MYL;10nF;50V;10%;PITCH:5mm;DIPPED;VERTICAL 12.7-15-9mm	[P0B0N:1: {12.0}(C252-C253,C257,C259-C260,C262,C264-C267,C273-C274)]	*NOT available in DP
47	12.0000	PC			CAP MYL;33nF;50V;10%;PITCH:5mm;DIPPED;VERTICAL 12.7-15-9mm	[P0B0N:1: {12.0}(C213-C222,C228-C229)]	*NOT available in DP
48	6.0000	PC			CAP MYL;3.9 nF;100 V;5 %;PITCH:5 mm;VERTICAL 12.7-15-9mm	[P0B0N:1: {6.0}(C256,C258,C261,C263,C271,C275)]	*NOT available in DP
49	2.0000	PC			CAP FILM;220nF;100V;MPF;10%;PITCH:5mm;BOX;VERTICAL 12.7-15-9mm	[P0B0N:3: {2.0}(C42-C43)]	*NOT available in DP
50	2.0000	PC			CAP Y1;2nF2;250V;P:10mm0;PRE CUT:3MM1 +/-0MM5	[P0B0N:3: {2.0}(C1,C20)]	*NOT available in DP
51	2.0000	PC			CAP Y2;2nF2;275V;PITCH:7mm5;DISC;CASE:4 x 10mm	[P0B0N:3: {2.0}(C7-C8)]	*NOT available in DP
52	2.0000	PC	R12-32470-31378	B12-32470-31378	CAP X2;470nF;275V;PITCH:22mm5;CASE:1.1mm x 26mm;CASE:1.1mm x 26mm;PRE-CUT:3.2+/-0.5mm	[P0B0N:3: {2.0}(C4-C5)]	
53	2.0000	PC			CAP E;1mF;25V;PITCH:5mm;10mm x 20mm;LOW ESR;VERTICAL 12.7-15-9mm	[P0B0N:3: {2.0}(C24-C25)]	*NOT available in DP
54	8.0000	PC			CAP CER;10nF;500V;PITCH:5mm;DISC;VERTICAL 12.7-15-9mm	[P0AJV:05: {8.0}(C1-C8)]	*NOT available in DP
55	1.0000	PC			CAP CER;470pF;1KV;20%;PITCH:7mm5;DISC CASE:4 x 10mm;PRE CUT:3mm1 +/-0mm5	[P0B0N:3: {1.0}(C9)]	*NOT available in DP
56	3.0000	PC			CAP CER;1nF;1KV;20%;PITCH:7mm5;DISC CASE:4 x 10mm;PRE CUT:3mm1 +/-0mm5	[P0B0N:3: {3.0}(C10,C12,C19)]	*NOT available in DP
57	2.0000	PC			CAP CER;10nF;1KV;20%;PITCH:10mm;DISC;PRE CUT:3mm1 +/-0mm5	[P0B0N:3: {2.0}(C6,C11)]	*NOT available in DP
58	3.0000	PC			CAP CER;1nF;200V;X7R;10%;SMT805	[P0B0N:3: {3.0}(C52-C54)]	*NOT available in DP
59	2.0000	PC			CAP FILM;470 nF;100 V;PPM;10 %;RADIAL;7mm5 X 9mm5 X 5mm5;PITCH:5 mm;CL21;VERTICAL 12.7-15-9mm	[P0B0N:3: {2.0}(C38-C39)]	*NOT available in DP
60	2.0000	PC			CAP FILM;2.7 uF;250 V;PMT;5 %;AXIAL;32x14mm5	[P0B0N:4: {1.0}(C1)]	*NOT available in DP
61	1.0000	PC			CAP E;470uF;35V;PITCH:5mm;10mm x 16mm;105C;VERTICAL 12.7-15-9mm	[P0B0N:3: {1.0}(C50)]	*NOT available in DP
62	2.0000	PC			CAP E;100uF;63V;PITCH:5mm; ;10mm x 12.5mm;VERTICAL 12.7-15-9mm	[P0B0N:3: {2.0}(C21,C23)]	*NOT available in DP
63	1.0000	PC			CAP E;100uF;100V;20%;PITCH:5mm;10mm x 20mm;105C;VERTICAL 12.7-15-9mm	[P0B0N:3: {1.0}(C22)]	*NOT available in DP
64	2.0000	PC			CAP E;105C;330 uF;200 V;ELECTROLYTIC;20 %;RADIAL;22*30;10 MM;SNAP-IN	[P0B0N:3: {2.0}(C2-C3)]	*NOT available in DP
65	4.0000	PC			CAP E;2mF2;50V;20%;PITCH:7mm5;16mm x 35mm5;PRE CUT:3mm2 -0/+0mm2;105C	[P0B0N:3: {4.0}(C13-C16)]	*NOT available in DP
66	4.0000	PC			CAP E;47uF;50V;PITCH:2mm5;6mm x 11mm;LOW LEAKAGE;VERTICAL 12.7-15-9mm	[P0B0N:2: {4.0}(C26-C27,C30-C31)]	*NOT available in DP
67	5.0000	PC			CAP E;10uF;50V;PITCH:2mm5;5mm x 11mm;VERTICAL 12.7-15-9mm	[P0B0N:3: {4.0}(C36-C37,C40-C41)]	*NOT available in DP
68	3.0000	PC			CAP CER;680pF;50V;10%;SMT603	[P0B0N:3: {1.0}(C56)]	*NOT available in DP
69	90.0000	PC			CAP CER;100nF;50V;10%;SMT603	[P0B0N:3: {12.0}(C83,C87-C89,C91-C92,C94,C96-C98,C101-C102)]	*NOT available in DP
70	14.0000	PC			CAP CER;220pF;50V;10%;SMT603	[P0B0N:1: {9.0}(C116,C120,C123,C137,C143,C224,C227,C236,C242)]	*NOT available in DP
71	90.0000	PC			CAP CER;100nF;50V;10%;SMT603	[P0B0N:1: {60.0}(C4-C5,C15,C18,C21,C23,C39-C40,C47-C50,C79-C80,C83-C86,C89,C97,C107-C108,C113-C115,C117-C119,C122,C125,C135,C139-C142,C152-C153,C183-C185,C187-C188,C190,C196,C199,C201-C202,C204,C206,C231-C232,C234-C235,C237-C241,C244,C246)]	*NOT available in DP

	Quantity	Unit	S.Sku	M.Sku	Description	Reference Designators	Notes
72	4.0000	PC			CAP E;1uF;50V;PITCH:2mm5;5mm x 11mm;VERTICAL 12.7-15-9mm	[P0B0N:1: {3.0}(C25-C26,C101)]	*NOT available in DP
73	76.0000	PC			CAP E;47uF;25V;PITCH:2mm5;5mm x 11mm;VERTICAL 12.7-15-9mm	[P0B0N:3: {1.0}(C18)]	*NOT available in DP
74	76.0000	PC			CAP E;47uF;25V;PITCH:2mm5;5mm x 11mm;VERTICAL 12.7-15-9mm	[P0B0N:1: {57.0}(C6-C7,C27-C28,C61-C65,C68,C71-C74,C96,C100,C102-C103,C109-C112,C154,C157-C168,C177-C182,C207-C212,C225-C226,C248-C249,C254-C255,C268-C270,C272)]	*NOT available in DP
75	3.0000	PC			CAP E;47uF;63V;PITCH:2mm5;6mm x 11mm;VERTICAL 12.7-15-9mm	[P0B0N:3: {1.0}(C32)]	*NOT available in DP
76	14.0000	PC			CAP CER;220pF;50V;10%;SMT603	[P0B0N:3: {5.0}(C66,C68-C69,C82,C84)]	*NOT available in DP
77	5.0000	PC			CAP E;10uF;50V;PITCH:2mm5;5mm x 11mm;VERTICAL 12.7-15-9mm	[P0B0N:1: {1.0}(C155)]	*NOT available in DP
78	4.0000	PC			CAP CER;2nF2;50V;10%;SMT603	[P0B0N:3: {3.0}(C90,C95,C99)]	*NOT available in DP
79	4.0000	PC			CAP E;100uF;16V;PITCH:2mm5;5mm x 11mm;VERTICAL 12.7-15-9mm	[P0B0N:1: {3.0}(C99,C250-C251)]	*NOT available in DP
80	10.0000	PC			CAP CER;10nF;50V;10%;SMT603	[P0B0N:1: {5.0}(C90,C95,C175-C176,C247)]	*NOT available in DP
81	4.0000	PC			CAP CER;2nF2;50V;10%;SMT603	[P0B0N:3: {1.0}(C136)]	*NOT available in DP
82	4.0000	PC			CAP E;100uF;16V;PITCH:2mm5;5mm x 11mm;VERTICAL 12.7-15-9mm	[P0B0N:3: {1.0}(C34)]	*NOT available in DP
83	10.0000	PC			CAP CER;10nF;50V;10%;SMT603	[P0B0N:3: {1.0}(C93)]	*NOT available in DP
84	4.0000	PC			CAP E;1uF;50V;PITCH:2mm5;5mm x 11mm;VERTICAL 12.7-15-9mm	[P0B0N:3: {1.0}(C35)]	*NOT available in DP
85	3.0000	PC			CAP E;47uF;63V;PITCH:2mm5;6mm x 11mm;VERTICAL 12.7-15-9mm	[P0B0N:1: {2.0}(C171-C172)]	*NOT available in DP
86	3.0000	PC			CAP CER;680pF;50V;10%;SMT603	[P0B0N:2: {2.0}(C7,C17)]	*NOT available in DP

Circuit Protector

	Quantity	Unit	S.Sku	M.Sku	Description	Reference Designators	Notes
1	1.0000	PC	R22-01513-31501	B22-01513-31501	FUSE;3A15;250V;SLOW BLOW;H-TYPE;5mm x 20mm		(EU, UK, SAA, AR)
2	1.0000	PC	R22-01515-00001	B22-01515-00001	FUSE;5A;250V;SLOW BLOW;H-TYPE;5mm x 20mm		(UL, BR, HM, SH)

Coil

	Quantity	Unit	S.Sku	M.Sku	Description	Reference Designators	Notes
1	2.0000	PC	R30-00000-62750	B30-00000-62750	COIL;AIR;270 uH;0.3 OHMS;20 MM	[P0B0N:4: {1.0}(L11)]	
2	2.0000	PC	R33-12200-03030	B33-12200-03030	COIL;22uH;PITCH:7mm52;TURNS:11.5;RAD;(3L:F51618-220K-B3.5)	[P0B0N:3: {2.0}(L11-L12)]	
3	2.0000	PC	R37-00000-27563	B37-00000-27563	COIL;CHOKE;6 mH;ET24;L:6mH MIN@1KHZ,0.25V.SG	[P0B0N:3: {2.0}(L1-L2)]	
4	3.0000	PC	R37-01603-04435	B37-01603-04435	COIL;CHOKE;1uH6;UL TUBE;5 x 16m;WIRE DIA:2UEW0mm6;9.5TURNS	[P0B0N:3: {3.0}(L8-L10)]	
5	2.0000	PC		B37-08002-04144	COIL;CHOKE;8uH;15%;CORE:29 x 13mm;PITCH:10mm;6300mA	[P0B0N:3: {2.0}(L3-L4)]	
6	4.0000	PC		B37-76100-05127	COIL;CHOKE;61uH;P:6MM;T10X6X5	[P0B0N:3: {2.0}(L13-L14)]	
7	7.0000	PC	R39-00000-03394	B39-00000-03394	COIL;SMD;BEAD;SMD0805;(BLM21BD751SN1D)	[P0B0N:1: {4.0}(L1-L4)]	
8	2.0000	PC	R44-31500-04970	B44-31500-04970	FERRITE BEAD;RH3.5*0.8*4.7-F5B	[P0B0N:3: {2.0}(L5-L6)]	

Connector

	Quantity	Unit	S.Sku	M.Sku	Description	Reference Designators	Notes
1	1.0000	PC	R83-00000-35510	B83-00000-35510	CONNECTOR;9;NICKEL;SOCKET;USB3.0;VERTICAL;H:24mm	[P0B0N:2: {1.0}(X10)]	
2	4.0000	PC	R84-00000-01617	B84-00000-01617	AMP TERMINAL;BRASS;707A-BS-2		
3	2.0000	PC	R84-00000-01620	B84-00000-01620	AMP TERMINAL;BRASS W TIN;7205A-BS-2		
4	2.0000	PC	R84-00000-01623	B84-00000-01623	AMP TERMINAL;BRASS;71155-BS-2		
5	4.0000	PC	R84-19056-06015	B84-19056-06015	CONNECTOR;TERMINAL;BRASS W TIN;AWG16-22;JS-4008-T		
6	10.0000	PC	R84-22000-06018	B84-22000-06018	CRIMP TERMINAL;PITCH:3mm96;AWG18-22;A3963TOP-2		
7	36.0000	PC	R84-25016-06014	B84-25016-06014	CRIMP TERMINAL;PITCH:2mm0;AWG24-30;A2008TOP-2		
8	2.0000	PC	R84-30000-06293	B84-30000-06293	JACKET;FOR 205 TERMINAL.;DIA:4mm		
9	2.0000	PC		B84-30046-41035	CONNECTOR;AMP CONN TERMINAL;MATERIAL:PAPER FIBRE;QUADRUPLE;(BGT20503002-TERMINAL-REVA.DWG)		
10	2.0000	PC	R84-30050-06302	B84-30050-06302	JACKET;110-3.5;DIA:3mm5		
11	4.0000	PC	R84-30055-53405	B84-30055-53405	CONNECTOR;AMP CONN TERMINAL;MALE;ANGLED;MATERIAL:BRASS 0mm7;PLATING:ZINC;SINGLE;W/ HOLES 2xDIA 3mm9 + 1xDIA 2mm;(LS-TR13_4B0_7A-REVC.DWG)		
12	2.0000	PC	R84-30060-06007	B84-30060-06007	JACKET;FOR 6mm35 AMP CONNECTOR;PVC;STRAIGHT;DIAMETER:3mm		
13	2.0000	PC	R84-30060-06009	B84-30060-06009	JACKET;FOR 6mm35 AMP CONNECTOR;PVC;STRAIGHT;DIAMETER:4mm		
14	1.0000	PC		B84-42050-00155	CRIMP CONNECTOR;LUG;INNER DIA:4mm3;AWG 14-18;WIRE MOUNT;STRAIGHT		
15	2.0000	PC	R95-01340-03300	B95-01340-03300	CONNECTOR;XLR;SOCKET;FEMALE;STRAIGHT;POLES:3	[P0B0N:2: {2.0}(X4-X5)]	
16	1.0000	PC		B93-00000-29798	BARE WIRE;DIA:1MM;L:7.5MM;PRE-CUT:3.3MM		(UL, BR, HM, SH)

Diode

	Quantity	Unit	S.Sku	M.Sku	Description	Reference Designators	Notes
1	3.0000	PC			DIODE;SUPERFAST;ER1J;600V;1A;35NS;DO-214AA;SMD	[P0B0N:3: {3.0}(D7-D8,D11)]	*NOT available in DP
2	1.0000	PC			DIODE;ZMM05V1;SMD1206	[P0B0N:2: {1.0}(D1)]	*NOT available in DP
3	1.0000	PC			DIODE;ZMM05V6;SMD1206	[P0B0N:3: {1.0}(D17)]	*NOT available in DP
4	1.0000	PC			DIODE;ZMM12V0;SMD1206	[P0B0N:3: {1.0}(D23)]	*NOT available in DP
5	3.0000	PC			DIODE;ZMM15V0;SMD1206	[P0B0N:3: {3.0}(D10,D12,D16)]	*NOT available in DP
6	1.0000	PC			DIODE;ZMM47V0;SMD1206	[P0B0N:3: {1.0}(D21)]	*NOT available in DP
7	3.0000	PC			DIODE;RECTIFIER;1000V;HER308 REEL;3A;DO201AD	[P0B0N:3: {3.0}(D2-D4)]	*NOT available in DP
8	2.0000	PC			DIODE;DPG15I200PA;TO220AC	[P0B0N:3: {2.0}(D5-D6)]	*NOT available in DP
9	1.0000	PC			DIODE;SUPERFAST;ES1D;200V;1A;15NS;DO-214AC;SMD	[P0B0N:3: {1.0}(D13)]	*NOT available in DP
10	1.0000	PC	X80-00000-12035	H80-00000-12035	RECTIFIER, BRIDGE;800 V;GBU;GBU8K;8A	[P0B0N:3: {1.0}(D1)]	
11	14.0000	PC			DIODE;LL4148;LL34;TEMIC OR FC	[P0B0N:3: {5.0}(D9,D18-D20,D22)]	*NOT available in DP
12	14.0000	PC			DIODE;LL4148;LL34;TEMIC OR FC	[P0B0N:1: {9.0}(D1-D9)]	*NOT available in DP

Display

	Quantity	Unit	S.Sku	M.Sku	Description	Reference Designators	Notes
1	1.0000	PC		C28-00000-32334	DISPLAY;LED;Pattern:8.8;.0.3 IN;AMBER;COMMON ANODE;SIZE:1.5X15	[P0B0N:1: {1.0}(LD2)]	

Hardware

	Quantity	Unit	S.Sku	M.Sku	Description	Reference Designators	Notes
1	4.0000	PC			CABLE TIE;WIDTH:3mm;LENGTH:150mm		*NOT available in DP
2	1.0000	G			THERM-GREASE;COLOR:WHT;SPEC.NO:09286		*NOT available in DP
3	1.2800	G			SCREWLOCK;SPEC.NO:01090		*NOT available in DP
4	4.0000	PC			NUT;M;4 MM;4.2 MM;HEX WASHER;8.3 MM;ZINC;BLUE;HEXAGON REC.;0.5 MM;M4*0.75mm NUT WITH TEETH EXTERNAL WASHER		*NOT available in DP
5	1.0000	PC			HEX. NUT;INNER DIA;M4mm;SURFACE:ZINC		*NOT available in DP
6	2.0000	PC			STEEL ROUND NUT WITH HOLE;INNER DIA:9mm5;M3/8-32T;ROUND;PITCH=0.75mm;SURFACE:NICKEL		*NOT available in DP
7	8.0000	PC			HEX. NUT;FOR JACK;M 3/8in;HEXWRENCH:11mm;THICKNESS:2mm4;SURFACE:NICKEL/SILVER		*NOT available in DP
8	2.0000	PC			OCT. NUT;FOR JACK;3/8in;OCTWRENCH:14.5mm;THICKNESS:3.5mm;SURFACE:NICKEL/SILVER		*NOT available in DP
9	2.0000	PC		F87-00100-06116	RUBBER FOOT1;P0431;DST.NO:001;DPT.NO:06116(P0431-RUBBER_FOOT1-REVA.DWG)		
10	2.0000	PC		F87-00100-06121	RUBBER FOOT2;P0431;DST.NO:001;DPT.NO:06121(P0431-RUBBER_FOOT2-REVA.DWG)		
11	1.0000	PC		F87-00100-14248	ELECTRIC FOAM;P0431;DST.NO:001;DPT.NO:14248;(P0431-ELECTRIC_FOAM-REVA.DWG)		
12	1.0000	PC	V87-00200-10103	F87-00200-10103	RUBBER BUSHING;I00172P;DST.NO:002;DPT.NO:10103;(I00172P-RUBBER_BUSHING-REVB.dwf)		
13	6.0000	PC			SCREW;M3mm*5mm;HEAD:PAN;INSERT:PHILIPS REC.;SURFACE:BLACK/ZINC		*NOT available in DP
14	7.0000	PC			SCREW;M3mm*06mm;HEAD:PAN SPRING WASHER;INSERT:PHILIPS REC.;SURFACE:SILVER/ZINC		*NOT available in DP
15	8.0000	PC			SCREW;A3mm*8mm;HEAD:PAN;INSERT:PHILIPS REC.;SURFACE:BLACK/ZINC		*NOT available in DP
16	8.0000	PC			SCREW;M3mm*8mm;HEAD:PAN;INSERT:PHILLIPS REC.;SURFACE:BLACK/ZINC		*NOT available in DP
17	14.0000	PC			SCREW;A3mm*10mm;HEAD:PAN;INSERT:PHILIPS REC.;SURFACE:BLACK/ZINC		*NOT available in DP
18	16.0000	PC			SCREW;M3mm*12mm;HEAD:BINDING;INSERT:PHILIPS REC.;SURFACE:BLACK/ZINC		*NOT available in DP
19	16.0000	PC			SCREW;A3mm*12mm;HEAD:PAN;INSERT:PHILIPS REC.;SURFACE:BLACK/ZINC		*NOT available in DP
20	1.0000	PC			SCREW;M3mm*12mm;HEAD:PAN SPRING WASHER;INSERT:PHILIPS REC.;SURFACE:SILVER/ZINC		*NOT available in DP
21	8.0000	PC			SCREW;M3mm*15mm;HEAD:PAN;INSERT:PHILIPS REC.;SURFACE:BLACK/ZINC		*NOT available in DP
22	8.0000	PC			SCREW;A3mm*16mm;HEAD:PAN;INSERT:PHILIPS REC.;SURFACE:BLACK/ZINC		*NOT available in DP
23	9.0000	PC			SCREW;M4mm*8mm;HEAD:BINDING;INSERT:PHILIPS REC.;SURFACE:BLACK/ZINC		*NOT available in DP
24	8.0000	PC			SCREW;M4mm*12mm;HEAD:BINDING;INSERT:PHILIPS REC.;SURFACE:BLACK/ZINC		*NOT available in DP
25	3.0000	PC			SCREW;M4mm*12mm;HEAD:PAN;INSERT:PHILIPS REC.;SURFACE:BLACK/ZINC		*NOT available in DP
26	4.0000	PC			SCREW;A4mm*13mm;HEAD:FLAT;INSERT:PHILIPS REC.;SURFACE:BLACK/ZINC		*NOT available in DP
27	4.0000	PC			SCREW;M4mm*16mm;HEAD:BINDING;INSERT:PHILIPS REC.;SURFACE:BLACK/ZINC		*NOT available in DP
28	8.0000	PC			SCREW;M4mm*22mm;HEAD:PAN;INSERT:PHILIPS REC.;SURFACE:BLACK/ZINC		*NOT available in DP

	Quantity	Unit	S.Sku	M.Sku	Description	Reference Designators	Notes
29	6.0000	PC			SCREW;A4mm*25mm;HEAD:BINDING;INSERT:PHILIPS REC.;SURFACE:BLACK/ZINC		*NOT available in DP
30	8.0000	PC			SCREW;BT4mm*25mm;HEAD:BINDING;INSERT:PHILIPS REC.;SURFACE:BLACK/ZINC		*NOT available in DP
31	4.0000	PC			SCREW;M4mm*32mm;HEAD:PAN;INSERT:PHILIPS REC.;SURFACE:BLACK/ZINC		*NOT available in DP
32	16.0000	PC			SCREW;A5mm*35mm;HEAD:BINDING;INSERT:PHILIPS REC.;SURFACE:BLACK/ZINC		*NOT available in DP
33	2.0000	PC			SCREW;BT5mm*45mm;HEAD:BINDING;INSERT:PHILIPS REC.;SURFACE:BLACK/ZINC		*NOT available in DP
34	1.0000	PC		F89-00000-02379	INSULATION SHEET;AL OXIDE;TO247;1mm		
35	1.0000	PC			METAL SHIELD;NATURAL;MIXER PCB;P0787;REVA		*NOT available in DP
36	1.0000	PC			SILICA GEL;MASS;30g;SPEC.NO:30QB-BB2001-4		*NOT available in DP
37	4.0000	PC			STUD;THREAD-DIA;3mm;LENGTH:13mm1;EXT/INT;EXT:5mm		*NOT available in DP
38	6.0000	PC			STUD;THREAD-DIA;3mm;LENGTH:13mm5;INT/INT		*NOT available in DP
39	8.0000	PC			STUD;THREAD-DIA;3mm;LENGTH:13mm8;INT/INT		*NOT available in DP
40	0.0340	M			SHRINKING TUBE;INNER DIA:9mm0		*NOT available in DP
41	0.2480	M			SHRINKING TUBE;INNER DIA:1mm;SPEC.NO:43217		*NOT available in DP
42	2.0000	PC			WASHER;9.7 MM;16 MM;NICKEL;WHITE;WASHER;FLAT;DIM:9.7*16*0.5mm;NIC		*NOT available in DP
43	2.0000	PC			WASHER;PLAIN;INNER DIA:3mm;OUTER DIA:8mm;THICKNESS;1mm;PLATING;NICKEL		*NOT available in DP
44	2.0000	PC			WASHER;PLAIN;INNER DIA:4mm;OUTER DIA:10mm;THICKNESS;1mm;PLATING;BLACK/ZINC		*NOT available in DP
45	2.0000	PC			WASHER;PLAIN;INNER DIA:9mm4;OUTER DIA:13mm;THICKNESS;0mm5;PLATING;NICKEL		*NOT available in DP
46	8.0000	PC			WASHER;PLAIN;INNER DIA:9mm6;OUTER DIA:13mm;THICKNESS;0mm5;PLATING;NICKEL		*NOT available in DP
47	1.0000	PC			WASHER;SPRING;INNER DIA:4mm;OUTER DIA:7mm;THICKNESS;1mm7		*NOT available in DP
48	1.0000	PC			WASHER;EXTERNAL TEETH;INNER DIA:4mm;OUTER DIA:7mm;THICKNESS;1mm7		*NOT available in DP
49	2.0000	PC	V97-00000-18617	F97-00000-18617	INSULATION SHEET;AL OXIDE;TO220;1mm,19.4x14x1		
50	1.0000	PC		F97-00000-57701	INSULATION SHEET;MICA PLATE;25MM/19.5MM/0.15MM,REVA		
51	1.0000	PC		F97-00100-00481	SHEET;PMX8805;SLIDE- SWITCH;PVC;DST.NO:001;DPT.NO:00481;(PMX8805-SLIDE-SWPVC- SHEET-REVA.DWG)		
52	2.4000	G	V97-00100-03175	F97-00100-03175	PAPER,KRAFT;WIDTH:300mm;THICKNESS:0mm1		
53	2.0000	PC		F97-00200-15009	FOAM SHEET;ACOUSTICAL FOAM;P0787;DST.NO:002;DPT.NO:15009;(P0787- ACOUSTICAL_FOAM-REVB.DWG)		
54	2.0000	PC			BUSHING;MINIATURE;NYLON;DWG.NO:27886;(R20-SC- PLA_NYLBUSHM3x1_4.DWG)		*NOT available in DP
55	24.0000	PC			SCREW;M03mm*08mm;HEAD:PAN SPRING WASHER;INSERT:PHILIPS REC.;SURFACE:SILVER/ZINC		*NOT available in DP
56	24.0000	PC			SCREW;M03mm*08mm;HEAD:PAN SPRING WASHER;INSERT:PHILIPS REC.;SURFACE:SILVER/ZINC		*NOT available in DP

Ic

	Quantity	Unit	S.Sku	M.Sku	Description	Reference Designators	Notes
1	1.0000	PC	S60-54422-00528	C60-22422-00528	IC;AD/DA;V4220M;SSOP	[POB0N:1: {1.0}]{IC13}	
2	1.0000	PC	S61-00000-25289	C61-00000-25289	IC;POWER AMP;SOP;P-AMP;TDA8954TH;HSOP24;SMD	[POB0N:3: {1.0}]{IC1}	
3	1.0000	PC	S73-22370-00516	C73-22370-00516	IC;OPAMP OPAMP;V13700M;SOP	[POB0N:1: {1.0}]{IC5}	
4	7.0000	PC	S73-58007-40514	C73-31007-40514	IC;OPAMP OPAMP;TL074;SOP;	[POB0N:1: {7.0}]{IC7-IC9,IC11,IC14,IC16-IC17}	
5	1.0000	PC	S74-55031-71403	C74-55031-71403	IC;VOLT.REGULATOR;LM317F;TO220 FULL	[POB0N:3: {1.0}]{IC4}	
6	1.0000	PC	S75-00127-12207	C75-00127-12207	IC;PWM CONTROLLER;NCP1271D65R2G;SOIC	[POB0N:3: {1.0}]{IC6}	
7	1.0000	PC	S77-00128-03000	C77-00128-03000	IC;VOLT.REGULATOR;ZENERSHUNT.REGULATOR;SOT23;LM431ACM3/N1	[POB0N:3: {1.0}]{IC7}	
8	1.0000	PC	S77-03128-03001	C77-03128-03001	IC;VOLT.REGULATOR;NCP1117ST33T3;SOT223	[POB0N:1: {1.0}]{IC26}	
9	1.0000	PC	S77-05107-03110	C77-05107-03110	IC;VOLT.REGULATOR;7805F;FULLPACK;TO220	[POB0N:3: {1.0}]{IC2}	
10	1.0000	PC	S77-15107-03110	C77-15107-03110	IC;VOLT.REGULATOR;7815F;FULLPACK;TO220	[POB0N:3: {1.0}]{IC5}	
11	1.0000	PC	S77-15207-03110	C77-15207-03110	IC;VOLT.REGULATOR;7915F;FULLPACK;TO220	[POB0N:3: {1.0}]{IC3}	
12	1.0000	PC	S78-55039-32208	C78-55039-32208	IC;COMPARATOR;LM393;SOIC	[POB0N:2: {1.0}]{IC5}	
13	1.0000	PC	T12-00100-02216	D12-00100-02217	IC;DIG COMM.;EUROTEC;V1000;SOIC	[POB0N:1: {1.0}]{IC12}	
14	1.0000	PC	T24-00000-68056	D24-00000-68056	IC;MICROCONTROLLER;LQFP;32;SMD;STM8S005K6T6C	[POB0N:1: {1.0}]{IC10}	
15	17.0000	PC		C73-00000-29050	IC;OPAMP;SMD;SOP;8;BA4580RF	[POB0N:3: {1.0}]{IC8}	(EU, UL, UK, SAA, BR, AR, HM, SH)
16	17.0000	PC		C73-00000-29050	IC;OPAMP;SMD;SOP;8;BA4580RF	[POB0N:1: {12.0}]{IC1-IC2,IC4,IC15,IC18-IC25}	

Led

	Quantity	Unit	S.Sku	M.Sku	Description	Reference Designators	Notes
1	1.0000	PC	U10-33565-00578	E10-33565-00578	LED HIB;2mm x 5mm;GREEN	[POB0N:1: {1.0}]{LD1}	
2	2.0000	PC	U10-53565-00588	E10-53565-00588	LED HIB;3mm ROUND;GREEN	[POB0N:2: {2.0}]{LD3-LD4}	
3	1.0000	PC		E10-55466-05688	LED HIB;3mm ROUND;BLUE;REFLECTOR;FOG WHITE DIFFUSE	[POB0N:2: {1.0}]{LD2}	
4	1.0000	PC		E12-37630-00579	LED;2mm x 5mm;RD	[POB0N:1: {1.0}]{LD3}	
5	3.0000	PC	U12-57630-00590	E12-57630-00590	LED;3mm ROUND;RD	[POB0N:1: {2.0}]{LD4-LD5}	

Metal Part

	Quantity	Unit	S.Sku	M.Sku	Description	Reference Designators	Notes
1	2.0000	EA		A60-00000-63446	METAL;P0787;SPCC 1.0mm;GRILL;STAMPING;SPRAYING;BLACK;REV:C		
2	1.0000	PC		A60-00100-11451	METAL;THREADED PLATE;DST.NO:001;DPT.NO:11451;(P0787- THREADED_PLATE-REVA.DWG)		
3	1.0000	PC		A60-00100-11453	METAL;HANDLE PLATE RIGHT;DST.NO:001;DPT.NO:11453;(P0787- HANDLE_PLATE_RIGHT-REVA.DWG)		
4	1.0000	PC		A60-00100-11454	METAL;HANDLE PLATE LEFT;P0787;DST.NO:001;DPT.NO:11454;(P0787- HANDLE_PLATE_LEFT-REVA.DWG)		
5	2.0000	PC		A60-00100-12038	METAL;PLATE;ZINC;TP85S02B;85mm x 35mm36 x 5H;PLATING;ZINC;DST.NO:001;DPT.NO:12038;(LS-TP85S02B- REVA.DWG)		
6	2.0000	PC		A62-00100-04835	METAL;SPEAKER FRAME;FR217502A;MATERIAL:SPCC 0mm8;8in;BLACK;DST.NO:001;DPT.NO:04835;(LS-FR217502A- REVA.DWG)		
7	1.0000	PC		A63-00000-36188	METAL;P0AA8;ALUMINIUM;HEATSINK;EXTRUSION, CUTTING;NATURAL;P0AA8-HEATSINK2,REVA		
8	1.0000	PC		A63-00000-50468	METAL;P0AA8;ALUMINIUM;HEATSINK;EXTRUSION;NATURAL;P0AA8 _HEATSINK4,REVA		
9	2.0000	PC		A63-00000-91157	METAL;HEATSINK;P0B0N;MATERIAL:ALUMINIUM;NATURAL;EXTRUSI ON, CUTTING;ANODIZING;P0B0N-HEATSINK		
10	2.0000	PC	Q65-00000-67995	A65-00000-67995	METAL;P0854;BLACK;LS-ME29_2S01A		
11	1.0000	EA		A65-00000-83814	METAL;PANEL;P0B0N;SECC 1.0mm;NATURAL;PUNCHING AND BENDING;P0B0N-METAL-CABINET-REVA		
12	2.0000	PC		A65-00100-02610	METAL;YOKE;P0060;TY85S02A;85mm x 35mm x 21mm5 x 16mm5;PLATING;ZINC;(LS-TY85S02A-REVA.DWG)		
13	2.0000	PC		A65-00100-03403	METAL;MESH;P0201;STAINLESS STEEL 0.2 mm;DIAMETER:25 mm;DST.NO:001;DPT.NO:03403;(LS-ME2550_2A-REVA.DWG)		
14	2.2000	G		A65-00100-04831	METAL;FOIL;KAPTON;WIDTH:32 mm;THICKNESS:0.125 mm;DST.NO:001;DPT.NO:04831		
15	0.9400	G	Q65-00100-08668	A65-00100-08668	ALUMINUM ALLOY;TDM61AL0_05A;ALUMINUM 5056- O;THICKNESS:0MM05;DST.NO:001;DPT.NO:08668;(LS- TDM61AL0_05A-REVA.DWG)		
16	4.0000	PC		A65-00100-11245	METAL;MIXER PANEL BRACKET;P0787;DST.NO:001;DPT.NO:11245;(P0787- MIXER_PANEL_BRACKET-REVA.pdf)		
17	2.0000	PC		A65-00100-11247	METAL;REAR PANEL BRACKET;P0787;DST.NO:001;DPT.NO:11247;(P0787- REAR_PANEL_BRACKET-REVA.pdf)		
18	1.0000	PC		A65-00100-11450	METAL;WHEEL BRACKET;P0787;DST.NO:001;DPT.NO:11450;(P0787- WHEEL_BRACKET-REVA.DWG)		
19	2.0000	PC	Q65-00100-12037	A65-00100-12037	TWEETER DOME;TD51A6A;MATERIAL:ALUMINIUM 0mm05;DIAMETER:51mm;HIGH:6MM;DST.NO:001;DPT.NO:12037;(LS- TD51A6A-REVA.DWG)		
20	2.0000	PC		A65-00100-14834	METAL;YOKE;DST.NO:001;DPT.NO:14834;(LS-TY102502A[R]- REVA.DWG)		
21	2.0000	PC		A65-00100-14835	METAL;TOP;DST.NO:001;DPT.NO:14835;(LS-TP102502A[R]- REVA.DWG)		
22	1.0000	PC	Q65-00100-14871	A65-00100-14871	METAL;LOCK CLASP PLATE, P0431;DST.NO:001;DPT.NO:14871;(P0431-LOCK_CLASP_PLATE- REVA.DWG)		
23	1.0000	PC		A65-00200-12901	HANDLE;P0431;DST.NO:002;DPT.NO:12901;(P0431-HANDLE- REV.B.DWG)		
24	4.0000	PC		A65-00200-14502	METAL;MIXER SCREW FLANGE;P0787;DST.NO:002;DPT.NO:14502;(P0787- MIXER_SCREW_FLANGE-REV.B.DWG)		
25	1.0000	PC		J05-00000-02154	METAL;P0787;LOCK;CLASP;A001		

	Quantity	Unit	S.Sku	M.Sku	Description	Reference Designators	Notes
26	1.0000	PC		J05-00000-84624	METAL;PANEL;POBON;SECC 1.2mm;PUNCHING;SPRAYING;DARK GRAY METALLIC;MIXER FRONT;A001		
27	1.0000	PC		J05-00000-84626	METAL;PANEL;POBON;SECC 1.2mm;NATURAL;STAMPING;SPRAYING;BLACK;REAR;A001		

Plastic Part

	Quantity	Unit	S.Sku	M.Sku	Description	Reference Designators	Notes
1	1.0000	PC	W52-00000-12223	G52-00000-12223	PLASTIC;P0431;ABS;KNOB;MOULDING;YS1282A;PANTONE 431;ENCODER KNOB;I00124P;REV:C		
2	5.0000	PC	W52-00200-08623	G52-00200-08623	KNOB;FADER;FAD30MMKNOB 1;BLACK;DST.NO:002;DPT.NO:08623;(FADERKNOBBLK1-REVB.DWG)		
3	8.0000	PC		G52-00200-14250	KNOB;POT;I00123P;431C;BLACK INK MARK;DST.NO:002;DPT.NO:14250;(I00123P-POTKNOB-REVB.DWG)		
4	2.0000	PC		G52-00200-14251	KNOB;POT;I00123P;429C;BLACK INK MARK;DST.NO:002;DPT.NO:14251;(I00123P-POTKNOB-REVB.DWG)		
5	8.0000	PC		G52-00200-14252	KNOB;POT;I00123P;431C;PANTONE 3025C INK MARK;DST.NO:002;DPT.NO:14252;(I00123P-POTKNOB-REVB.DWG)		
6	5.0000	PC		G52-00200-14253	KNOB;POT;I00123P;431C;PANTONE 201 C INK MARK;DST.NO:002;DPT.NO:14253;(I00123P-POTKNOB-REVB.DWG)		
7	1.0000	PC		G52-00500-10208	KNOB;SWITCH;300U;UB-S;DST.NO:005;DPT.NO:10208;(UB-S_SWKNOB-REVE.DWG)		
8	3.0000	PC		G52-00500-11203	KNOB;SWITCH;UB-S;7mm4;429C;DST.NO:005;DPT.NO:11203;(R20-UB-S_SWKNOB-REVE.DWG)		
9	2.0000	PC		G52-00500-11205	KNOB;SWITCH;UB-S;7mm4;431C;DST.NO:005;DPT.NO:11205;(R20-UB-S_SWKNOB-REVE.pdf)		
10	4.0000	PC	W53-14000-01976	G53-14000-01976	PLASTIC;SPACER;ABS;BLACK;LENGTH:14MM2;(SWITCHSPACER14_2 MM.DWG)		
11	1.0000	PC		G53-18900-02513	PLASTIC;MICROPHONE MICCLIP;P0199		
12	2.0000	PC	W56-00000-16226	G56-00000-64481	PLASTIC;P0787;AV161;REAR;INJECTION MOULDING;YS3292;SPRAYING;BLACK;REAR CABINET;REV:E		
13	1.0000	PC	W56-00200-15223	G56-00200-15223	PLASTIC;MIXER CABINET 1;P0787;DST.NO:002;DPT.NO:15223;(P0787-MIXER_CABINET_1-REVB.DWG)		
14	1.0000	PC	W56-00200-15224	G56-00200-15224	PLASTIC;MIXER CABINET 2;P0787;DST.NO:002;DPT.NO:15224;(P0787-MIXER_CABINET_2-REVB.DWG)		
15	2.0000	PC	W58-00000-07135	G58-00000-07135	PLASTIC;P0969;PC + GLASS FIBER;PHASE PLUG;BLACK;PLUG;PP25_2PC13_7A		
16	2.0000	PC	W58-00000-16225	G58-00000-16225	PLASTIC;P0787;PP (POLYPROPYLENE);FRONT;MOULDING;YS3292;BLACK;SPEAKER FRONT PANEL		
17	2.0000	PC		G58-00000-16347	PLASTIC;P0787;RUBBER 50degC;GASKET;EXTRUSION;BLACK;SPEAKER CABINET GASKET		
18	2.0000	PC	W58-00000-68568	G58-00000-68568	PLASTIC;P0AUP;ABS;WHITE;PLASTIC BOBBIN;32*8*20H		
19	1.0000	PC	W58-00000-70647	G58-00000-70647	PLASTIC;RING;P0AWP;ABS;P0AWP-USB-RING-REVA		
20	1.0000	PC		G58-00000-93355	PLASTIC;COVER;P0787;ABS;INJECTION COLORED MOULDING;MATT;BLACK MATT;P0787-MIXER-COVER REVB		
21	1280.0000	MM	W58-00100-02434	G58-00100-02434	GASKET;SPEAKER;MATERIAL:EVA;WIDTH:12mm;THICKNESS:1mm5;DST.NO:001;DPT.NO:02434;(LS-RGA12EVA1_5A-REVA.DWG)		
22	2.0000	PC		G58-00100-02618	PLASTIC;PHASE PLUG COVER;MATERIAL:ABS 160a;DIAMETER:76.5mm;14.8H;DST.NO:001;DPT.NO:02618;(LS-PP76_5ABS14_8A-REVA.DWG)		
23	300.0000	MM	W58-00100-03180	G58-00100-03180	GASKET;SPEAKER;RGA15EVA1_5A;MATERIAL:EVA;BLACK;WIDTH:15 mm;HEIGHT:1mm5;DST.NO:001;DPT.NO:03180;(LS-RGA15EVA1_5A-REVA.DWG)		
24	2.0000	PC		G58-00100-05851	PLASTIC;LED SPACER;P0486;MOULDING;BLACK;I00084P;INNER DIA:3MM1;LENGTH:11MM75;DST.NO:001;DPT.NO:05851;(I00084P-PLA-LED_SPACER-REVA.DWG)		
25	4.0000	PC		G58-00100-14503	PLASTIC;CABINET GASKET;P0787;DST.NO:001;DPT.NO:14503;(P0787-CABINET_GASKET-REVA.DWG)		
26	2.0000	PC	W58-00100-14979	G58-00100-14979	PLASTIC;BASE FOOT;P0787;DST.NO:001;DPT.NO:14979;(P0787-BASE_FOOT-REVA.dwg)		

	Quantity	Unit	S.Sku	M.Sku	Description	Reference Designators	Notes
27	1.0000	PC	W58-00200-11638	G58-00200-11638	PLASTIC;HANDLE BASE;P0431;DST.NO:002;DPT.NO:11638;(P0431-HANDLE_BASE-REVB.DWG)		
28	1.0000	PC		G58-00200-13188	PLASTIC;COMPARTMENT;P0787;DST.NO:002;DPT.NO:13188;(P0787-COMPARTMENT-REVB.DWG)		
29	1.0000	PC		G58-00200-14413	PLASTIC;COMPARTMENT COVER;P0787;DST.NO:002;DPT.NO:14413;(P0787-COMPARTMENT_COVER-REVB.DWG)		
30	4.0000	PC		G58-00300-11128	PLASTIC;SPACER;P0062;MOULDING;BLACK;LED SPACER2;DI100 DSP110;DST.NO:003;DPT.NO:11128;(R14-DI100-LEDSPACER2-REVC.DWG)		
31	1.0000	PC		G58-00300-14053	PLASTIC;LED HOLDER;UB1002_1202FX;DST.NO:003;DPT.NO:14053;(UB1002FX-7SEGMENT_LED_HOLDER-REVC.DWG)	[POB0N:1: {1.0}(X5)]	
32	1.0000	PC		I64-00000-91896	PLASTIC;LENS;POB0P;PMMA;INJECTION;POB0P_LED_LENS		
33	3.0000	PC	Y68-00000-07221	I68-00000-07221	PLASTIC;P0431;NYLON 66;LOCK;BLACK;C001		
34	4.0000	PC		I68-00000-45508	PLASTIC;P0000;SILVER CHROME;BEHLOGO12;BKSR;68.38mm;A002		

Plug Socket

	Quantity	Unit	S.Sku	M.Sku	Description	Reference Designators	Notes
1	1.0000	PC	W61-65218-02765	G61-65218-02765	BOX HEADER;POLES:18;2 ROW;STRAIGHT;PITCH:2mm54;SCM-18S	[POB0N:1: {1.0}(X15)]	
2	1.0000	PC	W61-75218-06753	G61-75218-06753	CABLE HEADER;POLES:18;2 ROW;IDE;STRAIGHT;PITCH:2mm54;FC-18P		
3	1.0000	PC	W61-85218-08163	G61-85218-08163	TRANSITION PLUG;FLAT CABLE;POLES:18;ROWS:2;STRAIGHT;PITCH:2mm54;BLACK;FD-18P		
4	8.0000	PC	W64-01211-03174	G64-01211-03174	PLUG;JACK STEREO 6mm3;STRAIGHT SOLDER;W/O MET.RNG.;MET.BUSH.;NO NUT/WASHER;(JY-6351G-02-250)	[POB0N:2: {8.0}(X6-X9,X11-X14)]	
5	1.0000	PC		G64-01400-54568	PLUG;PCB;PLUG;JACK STEREO 3mm5;STRAIGHT PCB-MT.;(JY-3569-01-070)	[POB0N:2: {1.0}(X18)]	
6	2.0000	PC	W64-14152-03710	G64-14152-03710	PLUG;PCB;PLUG;JACK PHONE;STRAIGHTPCB LUGS;MONO 6mm3;DUAL TIP;NO RING CONTACTS;NO NUT/WASHER;METAL BUSHING;(CHUNSHENG PJ-622HA-EP)	[POB0N:5: {2.0}(X1-X2)]	
7	2.0000	PC	W64-16112-00062	G64-16112-00062	PLUG;JACK MONO 6mm3;STRAIGHT SOLDER;DUAL TIP;NO RING CONTACTS;MET.BUSH.;NO NUT/WASHER;(CHUNSHENG PJ-636HA)	[00000: {1.0}(X1)]	
8	2.0000	PC		G68-14002-03283	PLUG;RCA;SOCKET;RCAJACK2P/S;FEMALE;POLES:02;STRAIGHT;SEPA RATE GROUNDS	[POB0N:2: {2.0}(X16-X17)]	
9	1.0000	PC		G71-00000-03961	WAFER;V1000-14B;0.35um;LOGIC-3.3V(1P4M)		
10	1.0000	PC		G71-23102-04756	WAFER;POLES:2;STRAIGHT;PITCH:2 mm;1 ROW;TYPE:A2006WV-2P	[POB0N:3: {1.0}(X4)]	
11	1.0000	PC	W71-27102-04450	G71-27102-04450	WAFER;POLES:2;STRAIGHT;PITCH:3.96 mm;1 ROW;JS1120-03-S1;NO MIDDLE PIN	[POB0N:3: {1.0}(X1)]	
12	2.0000	PC	W71-27102-04759	G71-27102-04759	WAFER;POLES:2;STRAIGHT;PITCH:3.96 mm;1 ROW;JS1120-02	[POB0N:4: {1.0}(X1)]	
13	1.0000	PC	W71-27104-04415	G71-27104-04415	WAFER;POLES:4;STRAIGHT;PITCH:3.96 mm;1 ROW;JS1120-04	[POB0N:3: {1.0}(X2)]	
14	4.0000	PC		G71-43109-06001	PLUG;HOUSING;POLES:9;ROWS:1;STRAIGHT;PITCH:2mm;TYP:A2008		
15	3.0000	PC	W71-47102-05844	G71-47102-05844	PLUG;HOUSING;A3963H02;PITCH:3mm96;POLES:2;ROWS:1;UL94-V0;STRAIGHT		
16	1.0000	PC	W71-47104-05846	G71-47104-05846	PLUG;HOUSING;A3963H02;PITCH:3mm96;POLES:4;ROWS:1;UL94-V0;STRAIGHT		
17	1.0000	PC	W71-47104-06757	G71-47104-06757	PLUG;HOUSING;P:3mm96;STRAIGHT;ROWS:1;POLES:4;TYP:JS4008		
18	1.0000	PC		G67-00000-91152	AC SOCKET;POLES:5;WITH SWITCH AND FUSE;SIZE:50X30.5		(EU, UL, UK, SAA, BR, AR, HM, SH)
19	3.0000	PC		G71-23109-04748	WAFER;POLES:9;STRAIGHT;PITCH:2 mm;1 ROW;TYPE:A2006WV-9P	[POB0N:1: {2.0}(X17-X18)]	(EU, UL, UK, SAA, BR, AR, HM, SH)
20	1.0000	PC		G67-00000-91152	AC SOCKET;POLES:5;WITH SWITCH AND FUSE;SIZE:50X30.5		
21	3.0000	PC		G71-23109-04748	WAFER;POLES:9;STRAIGHT;PITCH:2 mm;1 ROW;TYPE:A2006WV-9P	[POB0N:3: {1.0}(X3)]	

Power Supply

	Quantity	Unit	S.Sku	M.Sku	Description	Reference Designators	Notes
1	1.0000	PC	Z69-00000-41541	J69-00000-41541	TRAFO;SWITCH MODE;P0AA8;EU 120/230;COMMON	[P0B0N:3: {1.0}(TR1)]	

Quarz

	Quantity	Unit	S.Sku	M.Sku	Description	Reference Designators	Notes
1	1.0000	PC	X65-40471-00000	H65-40471-00000	QUARZ;RESONATOR;10MHz;HC49/S;FUNDAMENTAL	[P0B0N:1: {1.0}(Q1)]	

Resistor

	Quantity	Unit	S.Sku	M.Sku	Description	Reference Designators	Notes
1	1.0000	PC			RESISTOR;METAL;10 kohm;0W100;1 %;100 PPM;SMD603;MET	[POB0N:3: {1.0}(R49)]	*NOT available in DP
2	2.0000	PC			RESISTOR;CARBON;13Kohm;5%;0W063;SMD603	[POB0N:1: {2.0}(R11,R15)]	*NOT available in DP
3	1.0000	PC			RESISTOR;CARBON;10ohm;5%;0W063;SMD603	[POB0N:1: {1.0}(R292)]	*NOT available in DP
4	1.0000	PC			RESISTOR;CARBON;47ohm;5%;0W063;SMD603	[POB0N:2: {1.0}(R87)]	*NOT available in DP
5	10.0000	PC			RESISTOR;CARBON;220ohm;5%;0W063;SMD603	[POB0N:1: {8.0}(R101-R104,R107-R108,R110,R114)]	*NOT available in DP
6	2.0000	PC			RESISTOR;CARBON;470ohm;5%;0W063;SMD603	[POB0N:1: {2.0}(R109,R113)]	*NOT available in DP
7	1.0000	PC			RESISTOR;CARBON;680ohm;5%;0W063;SMD603	[POB0N:3: {1.0}(R100)]	*NOT available in DP
8	1.0000	PC			RESISTOR;CARBON;1Kohm2;5%;0W063;SMD603	[POB0N:3: {1.0}(R71)]	*NOT available in DP
9	4.0000	PC			RESISTOR;CARBON;1Kohm5;5%;0W063;SMD603	[POB0N:1: {2.0}(R29,R32)]	*NOT available in DP
10	1.0000	PC			RESISTOR;CARBON;2Kohm2;5%;0W063;SMD603	[POB0N:2: {1.0}(R67)]	*NOT available in DP
11	1.0000	PC			RESISTOR;CARBON;3Kohm3;5%;0W063;SMD603	[POB0N:1: {1.0}(R180)]	*NOT available in DP
12	1.0000	PC			RESISTOR;CARBON;3Kohm6;5%;0W063;SMD603	[POB0N:3: {1.0}(R99)]	*NOT available in DP
13	6.0000	PC			RESISTOR;CARBON;3Kohm9;5%;0W063;SMD603	[POB0N:1: {6.0}(R238-R241,R246,R250)]	*NOT available in DP
14	4.0000	PC			RESISTOR;CARBON;6Kohm8;5%;0W063;SMD603	[POB0N:1: {4.0}(R115-R116,R227,R229)]	*NOT available in DP
15	4.0000	PC			RESISTOR;CARBON;12Kohm;5%;0W063;SMD603	[POB0N:1: {4.0}(R99-R100,R105-R106)]	*NOT available in DP
16	1.0000	PC			RESISTOR;CARBON;16Kohm;5%;0W063;SMD603	[POB0N:1: {1.0}(R166)]	*NOT available in DP
17	2.0000	PC			RESISTOR;CARBON;18Kohm;5%;0W063;SMD603	[POB0N:1: {2.0}(R20,R23)]	*NOT available in DP
18	13.0000	PC			RESISTOR;CARBON;22Kohm;5%;0W063;SMD603	[POB0N:1: {9.0}(R97-R98,R124,R216-R221)]	*NOT available in DP
19	2.0000	PC			RESISTOR;CARBON;33Kohm;5%;0W063;SMD603	[POB0N:2: {2.0}(R76-R77)]	*NOT available in DP
20	6.0000	PC			RESISTOR;CARBON;36Kohm;5%;0W063;SMD603	[POB0N:1: {6.0}(R243,R247,R251,R253-R255)]	*NOT available in DP
21	1.0000	PC			RESISTOR;CARBON;43Kohm;5%;0W063;SMD603	[POB0N:3: {1.0}(R79)]	*NOT available in DP
22	2.0000	PC			RESISTOR;CARBON;150Kohm;5%;0W063;SMD603	[POB0N:1: {2.0}(R92,R94)]	*NOT available in DP
23	2.0000	PC			RESISTOR;CARBON;200Kohm;5%;0W063;SMD603	[POB0N:3: {2.0}(R35,R40)]	*NOT available in DP
24	1.0000	PC			RESISTOR;CARBON;220Kohm;5%;0W063;SMD603	[POB0N:3: {1.0}(R75)]	*NOT available in DP
25	1.0000	PC			RESISTOR;CARBON;680Kohm;5%;0W063;SMD603	[POB0N:2: {1.0}(R70)]	*NOT available in DP
26	1.0000	PC			RESISTOR;CARBON;820Kohm;5%;0W063;SMD603	[POB0N:3: {1.0}(R88)]	*NOT available in DP
27	10.0000	PC			RESISTOR;CARBON;1Mohm;5%;0W063;SMD603	[POB0N:1: {9.0}(R93,R95,R193,R242,R244-R245,R248-R249,R252)]	*NOT available in DP
28	1.0000	PC			RESISTOR;CARBON;2Mohm7;5%;0W063;SMD603	[POB0N:3: {1.0}(R92)]	*NOT available in DP
29	2.0000	PC			RESISTOR;METAL;0ohm;5%;0W063;SMD603	[POB0N:1: {2.0}(R36,R85)]	*NOT available in DP
30	4.0000	PC			RESISTOR;METAL;5ohm1;1%;0W063;SMD603	[POB0N:2: {4.0}(R15-R16,R20-R21)]	*NOT available in DP
31	3.0000	PC			RESISTOR;METAL;47ohm;1%;0W063;SMD603	[POB0N:3: {3.0}(R78,R85,R96)]	*NOT available in DP
32	4.0000	PC			RESISTOR;METAL;100ohm;1%;0W063;SMD603	[POB0N:1: {4.0}(R47,R68,R72,R75)]	*NOT available in DP
33	4.0000	PC			RESISTOR;METAL;150ohm;1%;0W063;SMD603	[POB0N:1: {4.0}(R51-R52,R78-R79)]	*NOT available in DP
34	4.0000	PC			RESISTOR;METAL;360ohm;1%;0W063;SMD603	[POB0N:1: {4.0}(R178-R179,R195,R200)]	*NOT available in DP
35	1.0000	PC			RESISTOR;METAL;680ohm;1%;0W063;SMD603	[POB0N:3: {1.0}(R39)]	*NOT available in DP
36	4.0000	PC			RESISTOR;METAL;1Kohm2;1%;0W063;SMD603	[POB0N:1: {4.0}(R127,R129,R148,R150)]	*NOT available in DP
37	2.0000	PC			RESISTOR;METAL;1Kohm24;1%;0W063;SMD603	[POB0N:1: {2.0}(R173,R211)]	*NOT available in DP
38	4.0000	PC			RESISTOR;METAL;1Kohm3;1%;0W063;SMD603	[POB0N:2: {4.0}(R22,R25-R26,R29)]	*NOT available in DP
39	4.0000	PC			RESISTOR;METAL;2Kohm;1%;0W063;SMD603	[POB0N:1: {4.0}(R169,R176,R207,R214)]	*NOT available in DP
40	6.0000	PC			RESISTOR;METAL;2Kohm2;1%;0W063;SMD603	[POB0N:1: {6.0}(R58,R67,R126,R128,R147,R149)]	*NOT available in DP
41	1.0000	PC			RESISTOR;METAL;2Kohm49;1%;0W063;SMD603	[POB0N:3: {1.0}(R42)]	*NOT available in DP
42	2.0000	PC			RESISTOR;SMT;2Kohm7;1%;METAL;0W063;SMD603	[POB0N:1: {2.0}(R42,R44)]	*NOT available in DP
43	2.0000	PC			RESISTOR;METAL;2Kohm74;1%;0W063;SMD603	[POB0N:1: {2.0}(R21-R22)]	*NOT available in DP
44	4.0000	PC			RESISTOR;METAL;3Kohm30;1%;0W063;SMD603	[POB0N:2: {4.0}(R23-R24,R27-R28)]	*NOT available in DP

	Quantity	Unit	S.Sku	M.Sku	Description	Reference Designators	Notes
45	6.0000	PC			RESISTOR;METAL;3Kohm9;1%;0W063;SMD603	[POB0N:1: {6.0}(R293-R295,R297,R299,R303)]	*NOT available in DP
46	10.0000	PC			RESISTOR;METAL;4Kohm42;1%;0W063;SMD603	[POB0N:1: {10.0}(R117,R151-R154,R158,R162-R163,R212-R213)]	*NOT available in DP
47	2.0000	PC			RESISTOR;METAL;4Kohm75;1%;0W063;SMD603	[POB0N:3: {2.0}(R33,R51)]	*NOT available in DP
48	2.0000	PC			RESISTOR;METAL;5Kohm11;1%;0W063;SMD603	[POB0N:1: {2.0}(R172,R208)]	*NOT available in DP
49	12.0000	PC			RESISTOR;METAL;6Kohm8;1%;0W063;SMD603	[POB0N:1: {12.0}(R258-R263,R268-R271,R275-R276)]	*NOT available in DP
50	2.0000	PC			RESISTOR;METAL;7Kohm50;1%;0W063;SMD603	[POB0N:1: {2.0}(R46,R76)]	*NOT available in DP
51	2.0000	PC			RESISTOR;METAL;8Kohm06;1%;0W063;SMD603	[POB0N:1: {2.0}(R121,R156)]	*NOT available in DP
52	1.0000	PC			RESISTOR;METAL;9Kohm09;1%;0W063;SMD603	[POB0N:1: {1.0}(R7)]	*NOT available in DP
53	39.0000	PC			RESISTOR;METAL;10Kohm;1%;0W063;SMD603	[POB0N:1: {14.0}(R174,R210,R256-R257,R264-R267,R283,R287-R291)]	*NOT available in DP
54	4.0000	PC			RESISTOR;METAL;12Kohm;1%;0W063;SMD603	[POB0N:1: {4.0}(R277,R279-R280,R282)]	*NOT available in DP
55	8.0000	PC			RESISTOR;METAL;13Kohm3;1%;0W063;SMD603	[POB0N:1: {8.0}(R54-R55,R62-R63,R80-R81,R90-R91)]	*NOT available in DP
56	1.0000	PC			RESISTOR;METAL;15Kohm;1%;0W063;SMD603	[POB0N:3: {1.0}(R37)]	*NOT available in DP
57	4.0000	PC			RESISTOR;METAL;16Kohm;1%;0W063;SMD603	[POB0N:1: {4.0}(R160,R167,R181-R182)]	*NOT available in DP
58	6.0000	PC			RESISTOR;METAL;16Kohm5;1%;0W063;SMD603	[POB0N:1: {6.0}(R143-R144,R170,R175,R206,R215)]	*NOT available in DP
59	18.0000	PC			RESISTOR;METAL;20Kohm;1%;0W063;SMD603	[POB0N:1: {8.0}(R57,R60-R61,R69-R70,R83,R189-R190)]	*NOT available in DP
60	6.0000	PC			RESISTOR;METAL;22Kohm;1%;0W063;SMD603	[POB0N:1: {6.0}(R43,R45,R272,R274,R284,R286)]	*NOT available in DP
61	1.0000	PC			RESISTOR;METAL;30Kohm1;1%;0W063;SMD603	[POB0N:3: {1.0}(R53)]	*NOT available in DP
62	2.0000	PC			RESISTOR;METAL;33Kohm;1%;0W063;SMD603	[POB0N:1: {2.0}(R73,R82)]	*NOT available in DP
63	4.0000	PC			RESISTOR;METAL;33Kohm2;1%;0W063;SMD603	[POB0N:1: {4.0}(R185-R186,R191-R192)]	*NOT available in DP
64	1.0000	PC			RESISTOR;METAL;36Kohm5;1%;0W063;SMD603	[POB0N:3: {1.0}(R38)]	*NOT available in DP
65	2.0000	PC			RESISTOR;METAL;40Kohm2;1%;0W063;SMD603	[POB0N:1: {2.0}(R171,R209)]	*NOT available in DP
66	2.0000	PC			RESISTOR;METAL;80Kohm60;1%;0W063;SMD603	[POB0N:1: {2.0}(R187-R188)]	*NOT available in DP
67	6.0000	PC			RESISTOR;METAL;100Kohm;1%;0W063;SMD603	[POB0N:2: {6.0}(R1-R4,R47,R71)]	*NOT available in DP
68	1.0000	PC			RESISTOR;METAL;180Kohm;1%;0W063;SMD603	[POB0N:3: {1.0}(R50)]	*NOT available in DP
69	4.0000	PC			RESISTOR;METAL;274Kohm;1%;0W063;SMD603	[POB0N:1: {4.0}(R50,R53,R87-R88)]	*NOT available in DP
70	1.0000	PC			RESISTOR;CARBON;1Mohm;1%;0W063;SMD603	[POB0N:3: {1.0}(R77)]	*NOT available in DP
71	1.0000	PC			RESISTOR;CARBON;0ohm;5%;0W1;SMD805	[POB0N:2: {1.0}(R85)]	*NOT available in DP
72	1.0000	PC			RESISTOR;CARBON;22ohm;5%;0W1;SMD805	[POB0N:3: {1.0}(R103)]	*NOT available in DP
73	1.0000	PC			RESISTOR;CARBON;51ohm;5%;PPM200;0W1;SMD603	[POB0N:3: {1.0}(R25)]	*NOT available in DP
74	1.0000	PC			RESISTOR;CARBON;100ohm;5%;0W1;SMD805	[POB0N:1: {1.0}(R125)]	*NOT available in DP
75	4.0000	PC			RESISTOR;CARBON;750ohm;5%;0W1;SMD805	[POB0N:1: {4.0}(R18-R19,R27-R28)]	*NOT available in DP
76	1.0000	PC			RESISTOR;CARBON;1Kohm;5%;0W1;SMD805	[POB0N:1: {1.0}(R8)]	*NOT available in DP
77	2.0000	PC			RESISTOR;CARBON;1Kohm5;5%;0W1;SMD805	[POB0N:1: {2.0}(R230-R231)]	*NOT available in DP
78	1.0000	PC			RESISTOR;CARBON;5Kohm1;5%;0W1;SMD805	[POB0N:1: {1.0}(R34)]	*NOT available in DP
79	2.0000	PC			RESISTOR;CARBON;10Kohm;5%;0W1;SMD805	[POB0N:2: {2.0}(R5-R6)]	*NOT available in DP
80	1.0000	PC			RESISTOR;CARBON;22Kohm;5%;PPM200;0W1;SMD603	[POB0N:3: {1.0}(R66)]	*NOT available in DP
81	2.0000	PC			RESISTOR;METAL;22ohm;1%;0W1;SMD805	[POB0N:3: {2.0}(R31,R102)]	*NOT available in DP
82	1.0000	PC			RESISTOR;METAL;47ohm;1%;0W1;SMD805	[POB0N:3: {1.0}(R32)]	*NOT available in DP
83	2.0000	PC			RESISTOR;METAL;4ohm75;1%;0W125;SMD1206	[POB0N:3: {2.0}(R44-R45)]	*NOT available in DP
84	2.0000	PC			RESISTOR;METAL;10Kohm;1%;PPM50;0W125;SMD603	[POB0N:3: {2.0}(R90,R94)]	*NOT available in DP
85	4.0000	PC			RESISTOR;CARBON;1Kohm2;5%;0W25;SMD1206	[POB0N:3: {4.0}(R58-R59,R83,R98)]	*NOT available in DP
86	4.0000	PC			RESISTOR;CARBON;1Kohm8;5%;0W25;SMD1206	[POB0N:1: {4.0}(R38-R39,R56,R59)]	*NOT available in DP
87	2.0000	PC			RESISTOR;CARBON;6Kohm8;5%;0W25;SMD1206	[POB0N:3: {2.0}(R86-R87)]	*NOT available in DP
88	1.0000	PC			RESISTOR;CARBON;10Kohm;5%;0W25;SMD1206	[POB0N:3: {1.0}(R82)]	*NOT available in DP
89	1.0000	PC			RESISTOR;CARBON;20Kohm;5%;0W25;SMD1206	[POB0N:2: {1.0}(R19)]	*NOT available in DP
90	1.0000	PC			RESISTOR;CARBON;100Kohm;5%;0W25;SMD1206	[POB0N:3: {1.0}(R26)]	*NOT available in DP

	Quantity	Unit	S.Sku	M.Sku	Description	Reference Designators	Notes
91	4.0000	PC			RESISTOR;METAL;10ohm;1%;0W25;SMD1206	[POB0N:3: {4.0}(R21-R22,R27,R101)]	*NOT available in DP
92	4.0000	PC			RESISTOR;METAL;20ohm;1%;0W25;SMD1206	[POB0N:3: {4.0}(R52,R55,R57,R61)]	*NOT available in DP
93	2.0000	PC			RESISTOR;METAL;47ohm;1%;0W25;SMD1206	[POB0N:2: {2.0}(R17-R18)]	*NOT available in DP
94	4.0000	PC			RESISTOR;METAL;6kohm81;1%;METAL;0W25;SMD1206	[POB0N:2: {4.0}(R9-R10,R41-R42)]	*NOT available in DP
95	4.0000	PC			RESISTOR;SMT;470Kohm;5%;METAL;0W25;SMD1206	[POB0N:3: {4.0}(R17-R20)]	*NOT available in DP
96	1.0000	PC	Y04-05000-04802	I04-05000-04802	THERMISTOR;NTC;5ohm;+/- 20%;4A;DIA.;PITCH:5mm;(THINKING SCK10054MSY)	[POB0N:3: {1.0}(R1)]	
97	1.0000	PC		I04-12501-00185	THERMISTOR;PTC;(RICH GP60-025)	[POB0N:2: {1.0}(R86)]	
98	1.0000	PC	Y04-23301-53363	I04-23301-53363	THERMISTOR;PTC;330ohms;2Kohm2;20%;DIA.;W/ LUG	[POB0N:3: {1.0}(R12)]	
99	2.0000	PC			RESISTOR;CARBON;10Kohm;5%;0W25;LEAD WIRE;HORIZONTAL 26-6mm	[POAJV:05: {2.0}(R1-R2)]	*NOT available in DP
100	2.0000	PC			RESISTOR;CEMENT;5 ohm;5 %;42 MM;20W;SQZ;BULK;CEM	[POB0N:4: {1.0}(R1)]	*NOT available in DP
101	2.0000	PC			RESISTOR;CEMENT;2 ohm;5 %;42 MM;20W;BULK;CEM	[POB0N:4: {1.0}(R2)]	*NOT available in DP
102	4.0000	PC			RESISTOR;CARBON;22 ohm;2W;5 %;F-TYPE	[POB0N:3: {4.0}(R7,R10,R14-R15)]	*NOT available in DP
103	2.0000	PC			RESISTOR;CARBON;75 ohm;2W;5 %;F-TYPE	[POB0N:3: {2.0}(R11,R13)]	*NOT available in DP
104	1.0000	PC			RESISTOR;CARBON;9.1 ohm;1W;5 %;F-TYPE	[POB0N:3: {1.0}(R16)]	*NOT available in DP
105	1.0000	PC			RESISTOR;CARBON;0ohm1;5%;1W;LEAD WIRE	[POB0N:3: {1.0}(R4)]	*NOT available in DP
106	2.0000	PC			RESISTOR;CARBON;4Kohm7;5%;1W;LEAD WIRE	[POB0N:3: {2.0}(R8-R9)]	*NOT available in DP
107	1.0000	PC			RESISTOR;CARBON;47ohm;5%;2W;LEAD WIRE	[POB0N:3: {1.0}(R6)]	*NOT available in DP
108	2.0000	PC			RESISTOR;METAL OXIDE;15Kohm;5%;5W;LEAD WIRE;AXIAL	[POB0N:3: {2.0}(R2-R3)]	*NOT available in DP
109	9.0000	PC			RESISTOR;CARBON;47Kohm;5%;0W063;SMD603	[POB0N:1: {7.0}(R16,R25,R123,R223,R225-R226,R228)]	*NOT available in DP
110	7.0000	PC			RESISTOR;CARBON;100Kohm;5%;0W063;SMD603	[POB0N:3: {2.0}(R36,R73)]	*NOT available in DP
111	3.0000	PC			RESISTOR;CARBON;0ohm;5%;0W063;SMD603	[POB0N:1: {1.0}(R146)]	*NOT available in DP
112	19.0000	PC			RESISTOR;CARBON;5Kohm1;5%;0W063;SMD603	[POB0N:3: {1.0}(R74)]	*NOT available in DP
113	9.0000	PC			RESISTOR;CARBON;20Kohm;5%;0W063;SMD603	[POB0N:1: {8.0}(R3,R9,R296,R298,R300-R302,R304)]	*NOT available in DP
114	11.0000	PC			RESISTOR;METAL;1Kohm;1%;0W063;SMD603	[POB0N:3: {1.0}(R28)]	*NOT available in DP
115	3.0000	PC			RESISTOR;CARBON;30Kohm;5%;0W063;SMD603	[POB0N:1: {2.0}(R10,R14)]	*NOT available in DP
116	2.0000	PC			RESISTOR;CARBON;15Kohm;5%;0W063;SMD603	[POB0N:2: {1.0}(R69)]	*NOT available in DP
117	11.0000	PC			RESISTOR;METAL;1Kohm;1%;0W063;SMD603	[POB0N:1: {6.0}(R30-R31,R118-R120,R157)]	*NOT available in DP
118	3.0000	PC			RESISTOR;CARBON;100ohm;5%;0W063;SMD603	[POB0N:3: {1.0}(R34)]	*NOT available in DP
119	3.0000	PC			RESISTOR;CARBON;2ohm2;5%;0W063;SMD603	[POB0N:1: {2.0}(R165,R205)]	*NOT available in DP
120	3.0000	PC			RESISTOR;CARBON;30Kohm;5%;0W063;SMD603	[POB0N:3: {1.0}(R76)]	*NOT available in DP
121	10.0000	PC			RESISTOR;CARBON;1Kohm;5%;0W063;SMD603	[POB0N:1: {6.0}(R13,R65-R66,R111-R112,R194)]	*NOT available in DP
122	2.0000	PC			RESISTOR;CARBON;15Kohm;5%;0W063;SMD603	[POB0N:3: {1.0}(R72)]	*NOT available in DP
123	7.0000	PC			RESISTOR;CARBON;100Kohm;5%;0W063;SMD603	[POB0N:1: {5.0}(R26,R64,R71,R89,R96)]	*NOT available in DP
124	9.0000	PC			RESISTOR;METAL;5Kohm6;1%;0W063;SMD603	[POB0N:1: {4.0}(R273,R278,R281,R285)]	*NOT available in DP
125	3.0000	PC			RESISTOR;CARBON;2ohm2;5%;0W063;SMD603	[POB0N:3: {1.0}(R23)]	*NOT available in DP
126	9.0000	PC			RESISTOR;CARBON;20Kohm;5%;0W063;SMD603	[POB0N:3: {1.0}(R80)]	*NOT available in DP
127	9.0000	PC			RESISTOR;METAL;5Kohm6;1%;0W063;SMD603	[POB0N:3: {5.0}(R48,R63,R65,R67-R68)]	*NOT available in DP
128	9.0000	PC			RESISTOR;CARBON;47Kohm;5%;0W063;SMD603	[POB0N:3: {1.0}(R47)]	*NOT available in DP
129	10.0000	PC			RESISTOR;CARBON;1Kohm;5%;0W063;SMD603	[POB0N:3: {2.0}(R43,R81)]	*NOT available in DP
130	28.0000	PC			RESISTOR;CARBON;10Kohm;5%;0W063;SMD603	[POB0N:1: {22.0}(R6,R12,R17,R122,R132-R142,R145,R155,R159,R232-R233,R236-R237)]	*NOT available in DP
131	19.0000	PC			RESISTOR;CARBON;5Kohm1;5%;0W063;SMD603	[POB0N:1: {18.0}(R130-R131,R161,R168,R183-R184,R196-R199,R201-R204,R222,R224,R234-R235)]	*NOT available in DP
132	3.0000	PC			RESISTOR;CARBON;0ohm;5%;0W063;SMD603	[POB0N:3: {2.0}(R89,R91)]	*NOT available in DP
133	3.0000	PC			RESISTOR;CARBON;100ohm;5%;0W063;SMD603	[POB0N:2: {2.0}(R52,R65)]	*NOT available in DP
134	28.0000	PC			RESISTOR;CARBON;10Kohm;5%;0W063;SMD603	[POB0N:3: {6.0}(R24,R46,R69-R70,R84,R93)]	*NOT available in DP

Fader

	Quantity	Unit	S.Sku	M.Sku	Description	Reference Designators	Notes
1	5.0000	PC	Y00-92951-02422	I00-92951-02422	FADER;30mm;100Kohm;TAPER:W;STEREO;W/CC;(POLYSHINE F-3092E+C+E-W100K1-L9.5(J));RED LED	[POB0N:1: {5.0}(VR3-VR7)]	

Potentiometer

	Quantity	Unit	S.Sku	M.Sku	Description	Reference Designators	Notes
1	6.0000	PC		I03-00000-91688	POTENTIOMETER;50 kohm;0.050W;TAPER:W;12 %;MONO;SHAFT:30MM;W/O CC;HHTORQUE 40-100GF;SOUNDWELL	[POB0N:1: {6.0}(VR9-VR10,VR17-VR20)]	
2	2.0000	PC		I03-00000-91689	POTENTIOMETER;10 kohm;0.050W;TAPER:15A;12 %;MONO;SHAFT:30MM;W/O CC;HHTORQUE:40-100GF;SOUNDWELL	[POB0N:1: {2.0}(VR1-VR2)]	
3	4.0000	PC		I03-00000-91690	POTENTIOMETER;50 kohm;0.050W;TAPER:1B;12 %;MONO;SHAFT:30MM;W/ CC;HHTORQUE:40-100GF;SOUNDWELL	[POB0N:1: {4.0}(VR21-VR22,VR25-VR26)]	
4	4.0000	PC		I03-00000-91692	POTENTIOMETER;10 kohm;0.050W;TAPER:AC;12 %;STEREO;SHAFT:30MM;W/ CC;40-100GF;HIGH TORQUE;SOUNDWELL	[POB0N:1: {4.0}(VR13-VR16)]	
5	4.0000	PC		I03-00000-91695	POTENTIOMETER;50 kohm;0.050W;TAPER:1B;12 %;STEREO;SHAFT:30MM;W/CC;40-100GF;HIGH TORQUE;SOUNDWELL	[POB0N:1: {4.0}(VR23-VR24,VR27-VR28)]	
6	3.0000	PC		I03-00000-91698	POTENTIOMETER;50 kohm;0.050W;TAPER:W;12 %;STEREO;SHAFT:30MM;W/O CC;HIGH TORQUE;40-100GF;SOUNDWELL	[POB0N:1: {3.0}(VR8,VR11-VR12)]	

Encoder

	Quantity	Unit	S.Sku	M.Sku	Description	Reference Designators	Notes
1	1.0000	PC	Y32-32430-24605	I32-92430-02704	ENCODER;12mm;DETENTS:24;PULSES:24;30mm;W/SWITCH;NO NUT/WASHER;(POLYSHINE F-12E55H24B-P+C L30FX12(O))	[POB0N:1: {1.0}(SW4)]	

Speaker Part

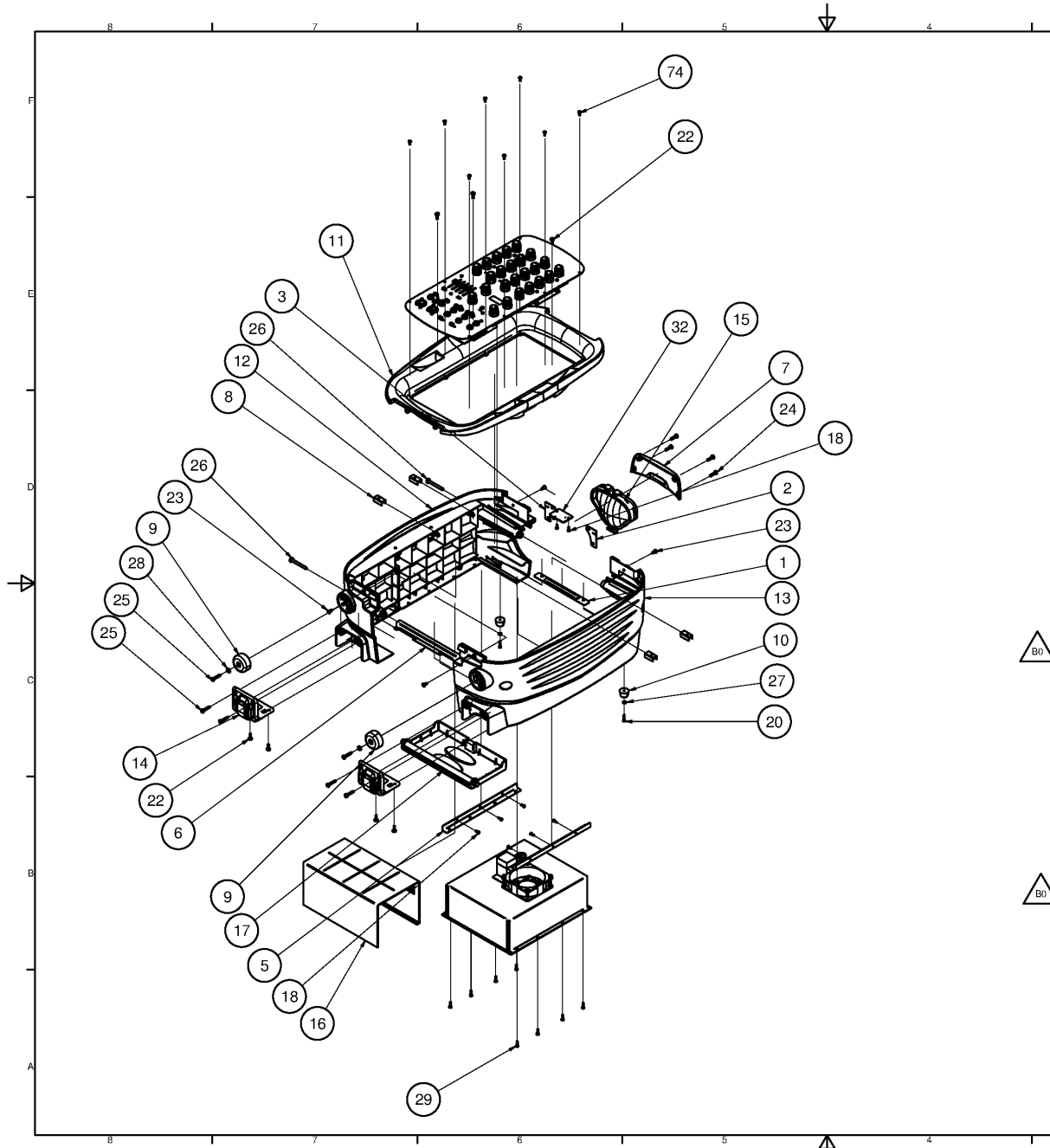
	Quantity	Unit	S.Sku	M.Sku	Description	Reference Designators	Notes
1	2.0000	PC	X71-60340-03681	H71-60340-03681	TWEETER;P0973;1.35 in;30 W;8 ohm;LS-34T120E8		
2	2.0000	PC	X77-00000-97985	H77-00000-97985	WOOFER;4 OHM;POBBI;8W600B4;8INCH;150WAAAT		
3	2.0000	PC		H79-00000-82480	DOME;34T120E8;ASSY		
4	2.0000	PC		H79-00000-98005	VOICE COIL;3.6 OHM;POBBI;VC51_5K3_6A		
5	2.0000	PC	X79-00100-02611	H79-00100-02611	MAGNET;MG90FE14A;MATERIAL:Y30;90mm*36mm*15H;Y30;DST.N O:001;DPT.NO:02611;(LS-MG90FE14A-REVA.DWG)		
6	2.0000	PC		H79-00100-02613	VOICE COIL;VC34_4K6_3A;BOBBIN MATERIAL:KSV 0mm8;DIAMETER:34mm4;4.5H;DC RESISTANCE:6ohm3;WIRE:0mm05*0mm25;WINDING WIDTH:2mm2;DST.NO:001;DPT.NO:02613;(LS-VC34_4K6_3A-REVA.DWG)		
7	2.0000	PC	X79-00100-02614	H79-00100-02614	GASKET;GA62_5A1_3A;MATERIAL:ALUMINIUM 1mm3;DIAMETER:62mm5;DST.NO:001;DPT.NO:02614;(LS-GA62_5A1_3A-REVA.DWG)		
8	2.0000	PC	X79-00100-02615	H79-00100-02615	GASKET;GA62_5A0_8A;MATERIAL:ALUMINIUM 0mm8;DIAMETER:62mm5;DST.NO:001;DPT.NO:02615;(LS-GA62_5A0_8A-REVA.DWG)		
9	2.0000	PC	X79-00100-02616	H79-00100-02616	GASKET;GA62_5P0_1A;MATERIAL:PAPER 0mm1;DIAMETER:62mm5;DST.NO:001;DPT.NO:02616;(LS-GA62_5P0_1A-REVA.DWG)		
10	2.0000	PC		H79-00100-07869	MAGNET;MG110FE22A;110x60x20H;Y30;DST.NO:001;DPT.NO:07869;(LS-MG110FE22A-REVA.DWG)		
11	2.0000	PC		H79-00100-09984	DUST CAP;DC68P02D;MATERIAL:BLACK PAPER;OUTER DIAMETER:68mm;DST.NO:001;DPT.NO:09984;(LS-DC68P02D-REVA.DWG)		
12	2.0000	PC		H79-00100-14837	CONE PAPER;CP194_5P42_5A;CENTER HOLE DIAMETER:52mm5;DST.NO:001;DPT.NO:14837;(LS-CP194_5P42_5A[R]-REVA.DWG)		
13	2.0000	PC		H79-00100-15477	SPEAKER PART;DAMPER;DP111CX01B;DST.NO:001;DPT.NO:15477;(LS-DP111CX01B[R]-REVA.DWG)		

Switch

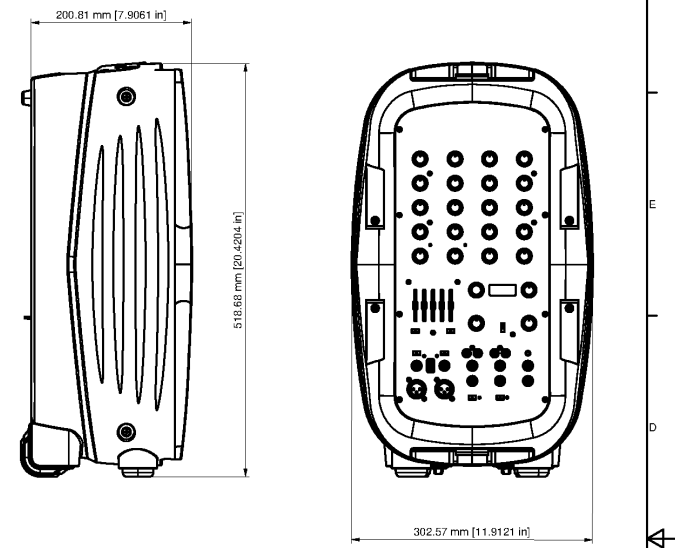
	Quantity	Unit	S.Sku	M.Sku	Description	Reference Designators	Notes
1	4.0000	PC	Y77-03422-02778	I77-03422-02778	SWITCH;RADIAL;2P2T;PCB VERSION;LOCKING;NONSHORT;RAD2P	[POB0N:1: {1.0}{SW2}]	
2	1.0000	PC	Y77-03442-02780	I77-03442-02780	SWITCH;RADIAL;4P2T;PCB VERSION;LOCKING;NONSHORT;RAD4P	[POB0N:1: {1.0}{SW1}]	
3	1.0000	PC	Y77-03822-02779	I77-03822-02779	SWITCH;RADIAL;2P2T;PCB VERSION;NONLOCK;NONSHORT;RAD2P/NON	[POB0N:2: {1.0}{SW2}]	
4	1.0000	PC	Y86-00422-32496	I86-00422-32496	SWITCH;SLIDE;2P2T;PCB VERSION;LOCKING;NONSHORT;SS-22H18-G7 NS	[POB0N:1: {1.0}{SW3}]	

Transistor

	Quantity	Unit	S.Sku	M.Sku	Description	Reference Designators	Notes
1	4.0000	PC			TRANSISTOR;2SC3326B;SOT	[POB0N:2: {4.0}(T1-T4)]	*NOT available in DP
2	1.0000	PC			TRANSISTOR;SPW17N80C3;TO247	[POB0N:3: {1.0}(T1)]	*NOT available in DP
3	4.0000	PC			TRANSISTOR;BC856B;SOT;SMD	[POB0N:1: {3.0}(T1,T4,T6)]	*NOT available in DP
4	1.0000	PC			TRANSISTOR;MBTA06;SOT	[POB0N:3: {1.0}(T9)]	*NOT available in DP
5	1.0000	PC			TRANSISTOR;MBTA42;SOT	[POB0N:3: {1.0}(T8)]	*NOT available in DP
6	1.0000	PC			TRANSISTOR;MPSA92;TO-92;TAPING	[POB0N:1: {1.0}(T2)]	*NOT available in DP
7	1.0000	PC			TRANSISTOR;MMBT5401;SOT23	[POB0N:3: {1.0}(T6)]	*NOT available in DP
8	1.0000	PC			TRANSISTOR;MMBF170LT1;SOT	[POB0N:2: {1.0}(T5)]	*NOT available in DP
9	1.0000	PC			TRANSISTOR;SST113;SOT	[POB0N:3: {1.0}(T7)]	*NOT available in DP
10	1.0000	PC			TRANSISTOR;TIP31C;TO220	[POB0N:3: {1.0}(T2)]	*NOT available in DP
11	15.0000	PC			TRANSISTOR;BC846B;SOT;SMD	[POB0N:1: {11.0}(T7-T17)]	*NOT available in DP
12	3.0000	PC			TRANSISTOR;MBTA56;SOT	[POB0N:1: {2.0}(T3,T5)]	*NOT available in DP
13	3.0000	PC			TRANSISTOR;MBTA56;SOT	[POB0N:3: {1.0}(T3)]	*NOT available in DP
14	15.0000	PC			TRANSISTOR;BC846B;SOT;SMD	[POB0N:3: {2.0}(T4-T5)]	*NOT available in DP



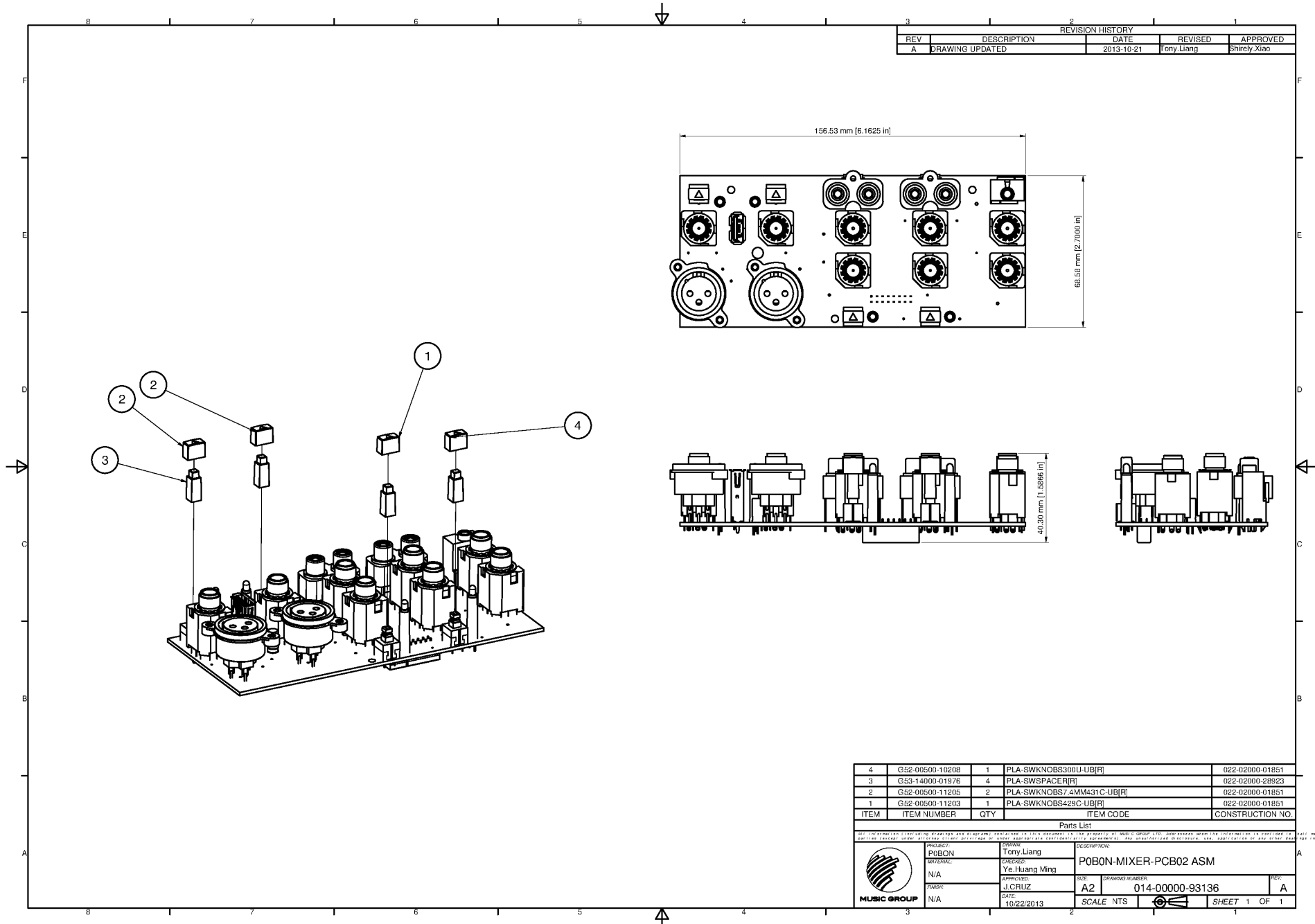
REVISION HISTORY				
REV	DESCRIPTION	DATE	REVISED	APPROVED
A0	DRAWING UPDATED	2012-08-02	LIANG.Tony	XIAO.Shirley
B0	BASE MIXER COVER add M3 NUT INSERTS,REMOVER BRACKET AND THE SCREW FOR IT	2015-03-23	LIANG.Tony	XIAO.Shirley



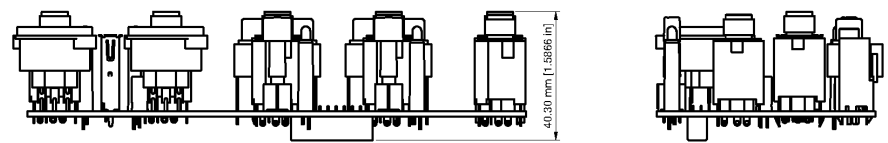
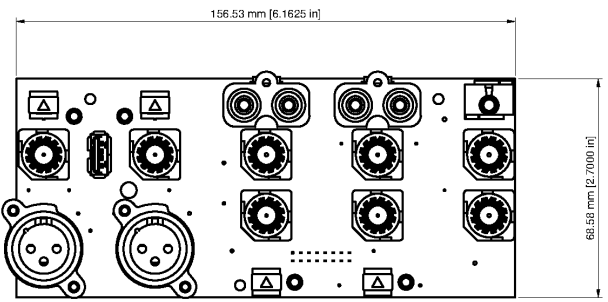
ITEM	ITEM NUMBER	QTY	ITEM CODE	CONSTRUCTION NO.
74	F88-30080-20297	8	SC-M03*08-02-B-ZP-BLK[R]	
29	F88-30120-20297	8	SC-M03*12-02-B-ZP-BLK[R]	
28	F96-10401-00109	2	SC-WAPLNP4*10*1-BLK[R]	
27	F96-10300-80105	2	SC-WAPLNP3*8*1[R]	
26	F88-50450-20247	2	SC-BT05*45-02-B-ZP-BLK[R]	
25	F88-40250-20217	6	SC-A04*25-02-B-ZP-BLK[R]	
24	F88-40160-20297	4	SC-M04*16-02-B-ZP-BLK[R]	
23	F88-40130-50217	4	SC-A04*13-05-B-ZP-BLK[R]	
22	F88-40120-20297	8	SC-M04*12-02-B-ZP-BLK[R]	
20	F88-30150-30297	2	SC-M03*15-03-B-ZP-BLK[R]	
18	F88-30100-30217	8	SC-A03*10-03-B-ZP-BLK[R]	
17	G58-00200-14413	1	PLA-P0787/COMPARTMENT COVER[R]	022-02000-40058
16	G58-00200-13188	1	PLA-P0787/COMPARTMENT[R]	022-02000-40215
15	G58-00200-11638	1	PLA-P0431/HANDLE BASE	022-02000-36130
14	G58-00100-14979	2	PLA-P0787/BASEFOOT[R]	022-02000-42615
13	G56-00200-15224	1	PLA-P0787/MIXER CABINET 2[R]	022-02000-40060
12	G56-00200-15223	1	PLA-P0787/MIXER CABINET 1[R]	022-02000-40059
11	G58-00001-26676	1	PLA-P0787/MIXER COVER[R]	022-02000-40061
10	F87-00100-06121	2	MI-P0431/RUBBERFOOT2[R]	022-02000-36166
9	F87-00100-06116	2	MI-P0431/RUBBERFOOT1[R]	022-02000-36164
8	A65-00200-14502	4	MET-P0787/MIXER SCREW FLANGE[R]	022-02000-40211
7	A65-00200-12901	1	MET-HANDLE/P0431[R]	022-01000-36149
6	A65-00100-11450	1	MET-P0787/WHEEL BRACKET[R]	022-02000-40209
5	A65-00100-11247	2	MET-P0787/REAR PANEL BRACKET[R]	022-02000-40054
3	A60-00100-11454	1	MET-P0787/HANDLE PLATE LEFT[R]	022-02000-40213
2	A60-00100-11453	1	MET-P0787/HANDLE PLATE RIGHT[R]	022-02000-40212
1	A60-00100-11451	1	MET-P0787/THREADED PLATE[R]	022-02000-40210

Parts List

PROJECT: POBON	DRAWN: LIANG.Tony	DESCRIPTION: POBON-BASE-MIXER ASM
MATERIAL: N/A	CHECKED: YE.Huang Ming	SIZE: A2
APPROVED: J.CRUIZ	DATE: 11/9/2013	DRAWING NUMBER: 014-00000-93142
REV: N/A		SHEET 1 OF 1



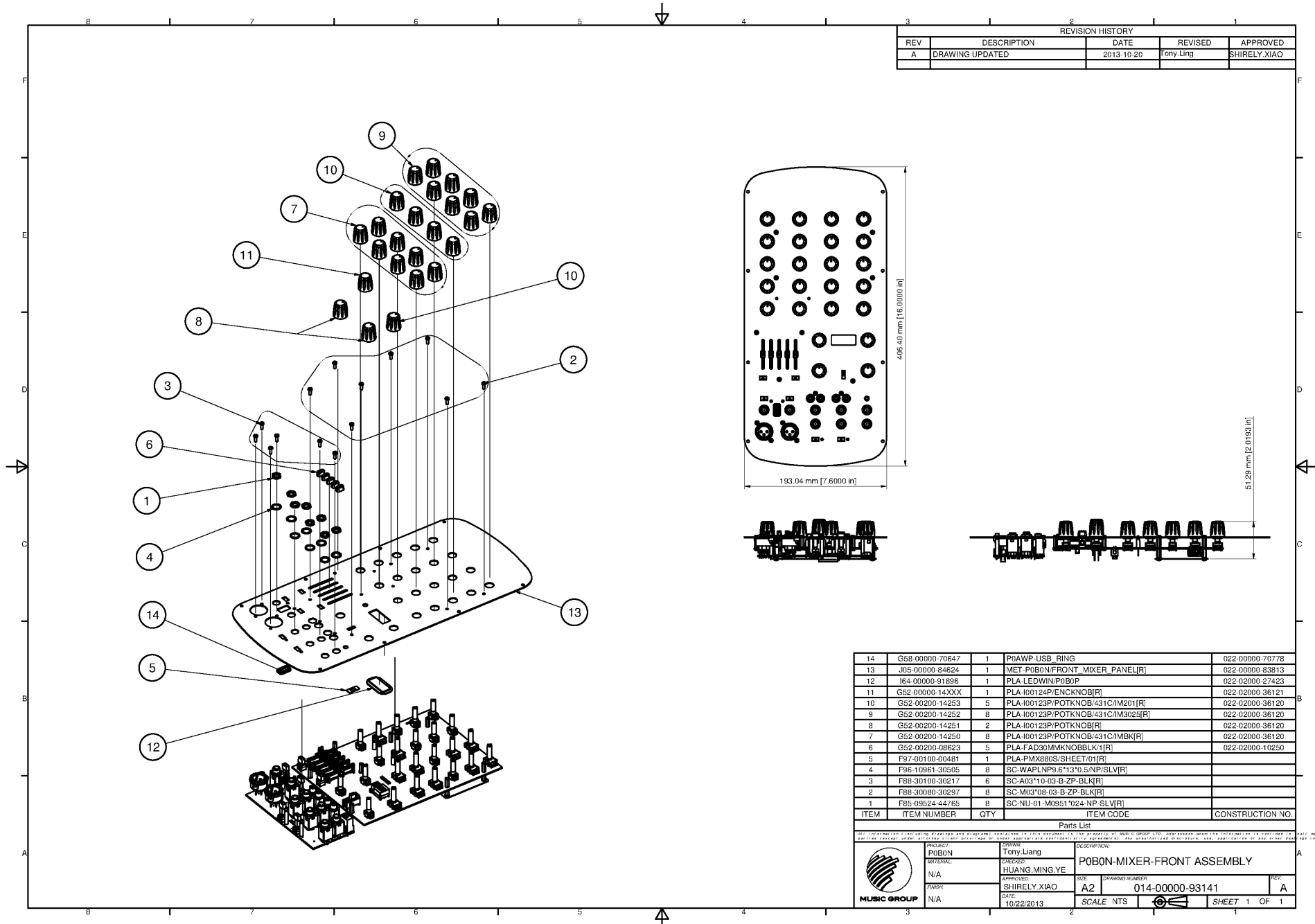
REVISION HISTORY		REVISED	APPROVED
REV	DESCRIPTION	DATE	
A	DRAWING UPDATED	2013-10-21	Tony Liang Shirely Xiao



ITEM	ITEM NUMBER	QTY	ITEM CODE	CONSTRUCTION NO.
4	G52-00500-10208	1	PLA-SWKNOBS300U-UB[R]	022-02000-01851
3	G53-14000-01976	4	PLA-SWSPACER[R]	022-02000-28923
2	G52-00500-11205	2	PLA-SWKNOBS7.4MM431C-UB[R]	022-02000-01851
1	G52-00500-11203	1	PLA-SWKNOBS429C-UB[R]	022-02000-01851

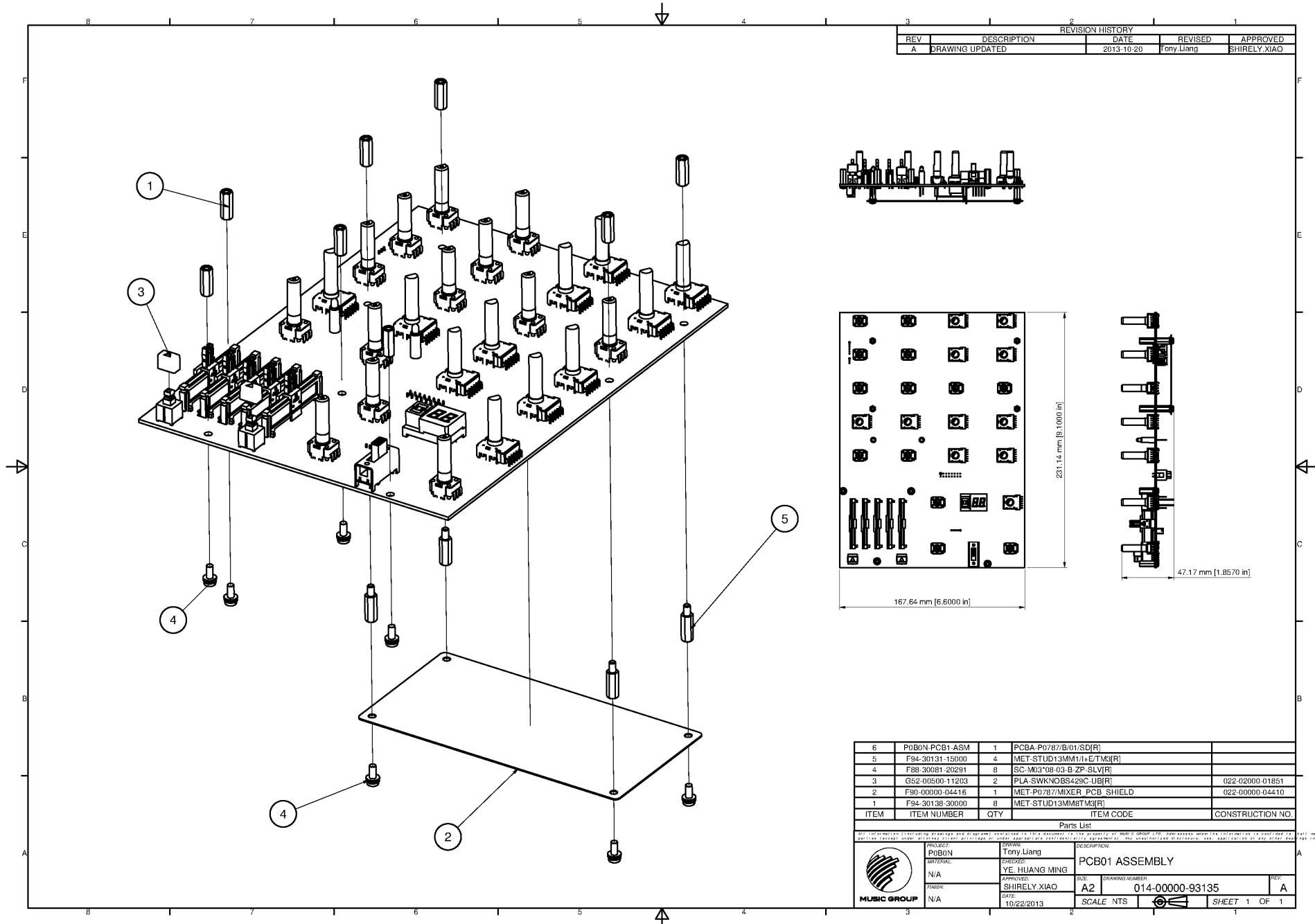
Parts List

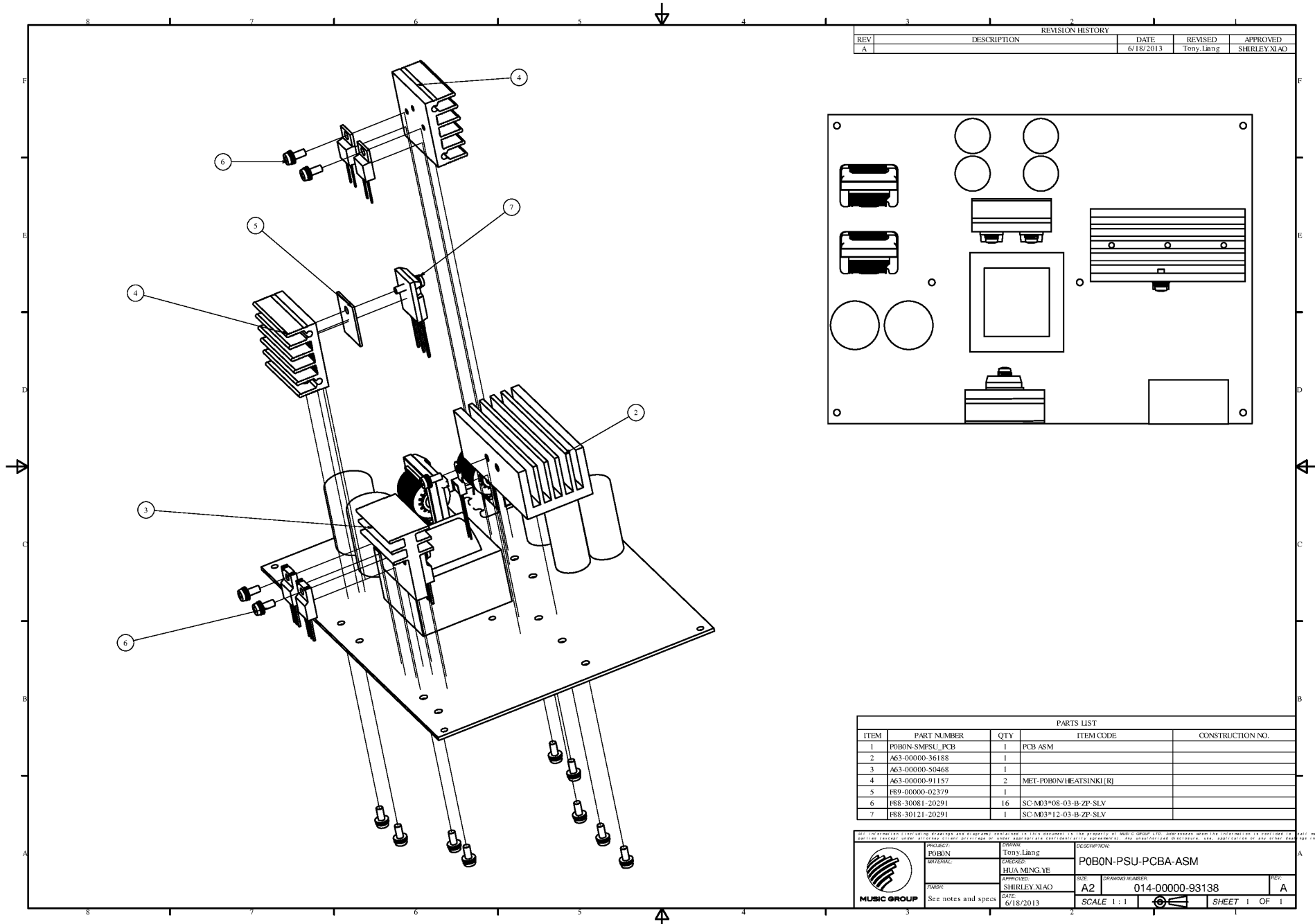
PROJECT: POB0N	DRAWN: Tony Liang	DESCRIPTION: POB0N-MIXER-PCB02 ASM
DATE: N/A	CHECKED: Ye-Huang Ming	SIZE: A2
APPROVED: J.CRUZ	DATE: 10/22/2013	DRAWING NUMBER: 014-00000-93136
MUSIC GROUP		SCALE: NTS
		SHEET 1 OF 1



ITEM	ITEM NUMBER	QTY	ITEM CODE	CONSTRUCTION NO.
14	G58-00000-70647	1	P0AWP-USB_RING	022-00000-70778
13	J05-00000-84624	1	MET-POBON/FRONT_MIXER_PANEL[R]	022-00000-83813
12	I64-00000-91896	1	PLA-LEDWIN/P0B0P	022-02000-27423
11	G52-00000-14XXX	1	PLA-I00124P/ENCKNOB[R]	022-02000-36121
10	G52-00200-14253	5	PLA-I00123P/POTKNOB/431C/I/M201[R]	022-02000-36120
9	G52-00200-14252	8	PLA-I00123P/POTKNOB/431C/I/M3025[R]	022-02000-36120
8	G52-00200-14251	2	PLA-I00123P/POTKNOB[R]	022-02000-36120
7	G52-00200-14250	8	PLA-I00123P/POTKNOB/431C/IMBK[R]	022-02000-36120
6	G52-00200-08623	5	PLA-FAD30/MMKNOBBLK/1[R]	022-02000-10250
5	F97-00100-00491	1	PLA-PMX880S/SHEET/01[R]	
4	F96-10961-30505	8	SC-WAPLNP9.6*13*0.5NP/SLV[R]	
3	F88-30100-30217	6	SC-A03*10-03-B-ZP-BLK[R]	
2	F88-30080-30297	8	SC-M03*08-03-B-ZP-BLK[R]	
1	F85-08524-44765	8	SC-NU-01-M0951*024-NP-SLV[R]	

Parts List			
PROJECT:	POBON	DRAWN:	Tony.Liang
DATE/REV:	N/A	CHECKED:	HUANG.MING.YE
APPROVED:	SHIRELY.XIAO	SIZE:	A2
DATE:	10/22/2013	DRAWING NUMBER:	014-00000-93141
MUSIC GROUP		SCALE:	NTS
		SHEET 1 OF 1	

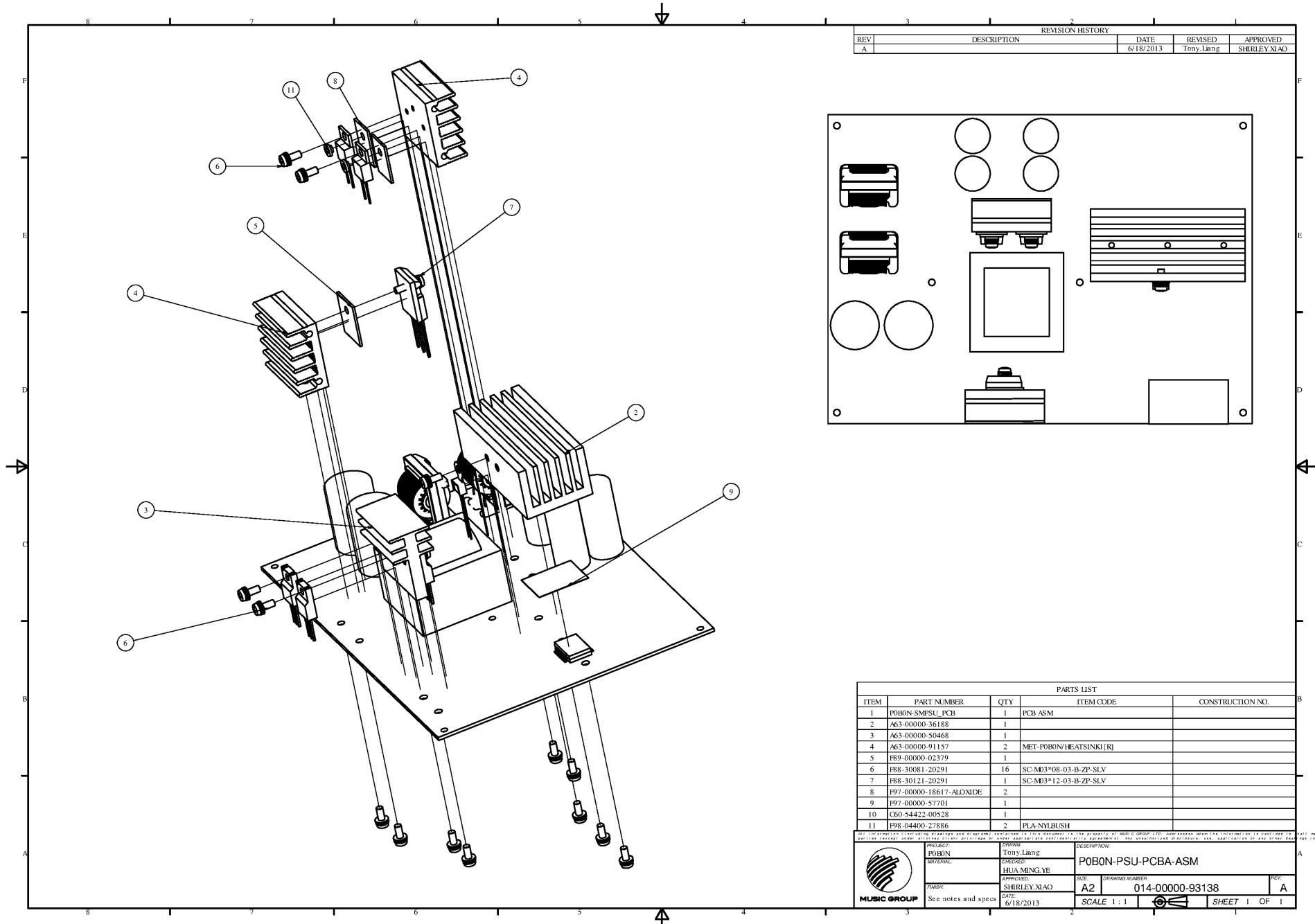




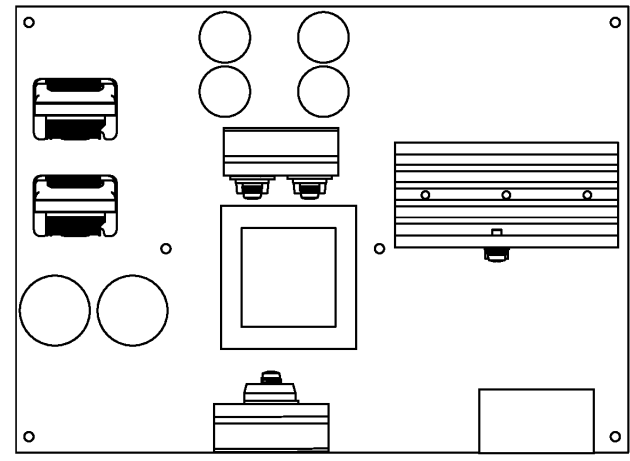
REVISION HISTORY		DATE	REVISED	APPROVED
REV	DESCRIPTION	6/18/2013	Tony.Liang	SHIRLEY.XIAO
A				

PARTS LIST				
ITEM	PART NUMBER	QTY	ITEM CODE	CONSTRUCTION NO.
1	POB0N-SMPSU_PCB	1	PCB ASM	
2	A63-00000-36188	1		
3	A63-00000-50468	1		
4	A63-00000-91157	2	MET-POB0N/HEATSINKI[R]	
5	F89-00000-02379	1		
6	F88-30081-20291	16	SC-MD3*08-03-B-ZP-SLV	
7	F88-30121-20291	1	SC-MD3*12-03-B-ZP-SLV	

	PROJECT: POB0N	DRAWN: Tony.Liang	DESCRIPTION: POB0N-PSU-PCBA-ASM	
	DESIGNED: HUIA MING.YE	DATE: 6/18/2013	SIZE: A2	DRAWING NUMBER: 014-00000-93138
	APPROVED: SHIRLEY.XIAO	DATE: 6/18/2013	SCALE: 1:1	SHEET 1 OF 1
	See notes and specs			

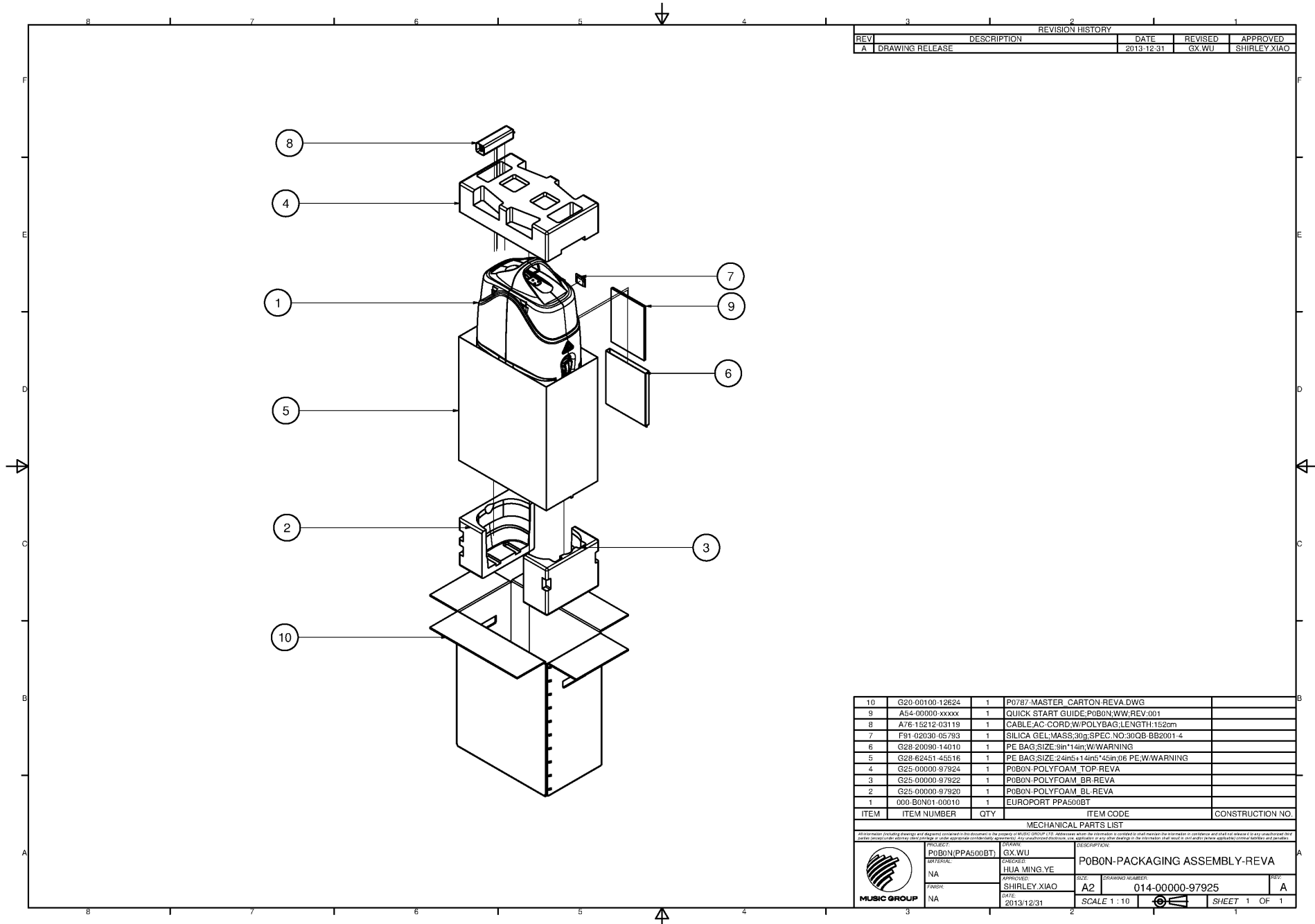


REV		REVISION HISTORY		
REV	DESCRIPTION	DATE	REVISED	APPROVED
A		6/18/2013	Tony.Liang	SHIRLEY.XIAO



PARTS LIST				
ITEM	PART NUMBER	QTY	ITEM CODE	CONSTRUCTION NO.
1	POB0N-SMPSU_PCB	1	PCB ASM	
2	A63-00000-36188	1		
3	A63-00000-50468	1		
4	A63-00000-91157	2	MET-POB0N/HEATSINKI[R]	
5	F89-00000-02379	1		
6	F88-30081-20291	16	SC.MD3*08-03-B-ZP-SLV	
7	F88-30121-20291	1	SC.MD3*12-03-B-ZP-SLV	
8	F97-00000-18617-ALOXIDE	2		
9	F97-00000-57701	1		
10	C60-54422-00528	1		
11	F98-04400-27886	2	PLA-NYLBUSH	

	PROJECT: POB0N DRAWN: Tony.Liang CHECKED: HUIA MING.YE APPROVED: SHIRLEY.XIAO DATE: 6/18/2013	DESCRIPTION: POB0N-PSU-PCBA-ASM SIZE: A2 DRAWING NUMBER: 014-00000-93138 REV: A
	See notes and specs	SCALE: 1:1 SHEET: 1 OF 1



REVISION HISTORY		DATE	REVISED	APPROVED
REV	DESCRIPTION			
A	DRAWING RELEASE	2013-12-31	GX.WU	SHIRLEY.XIAO

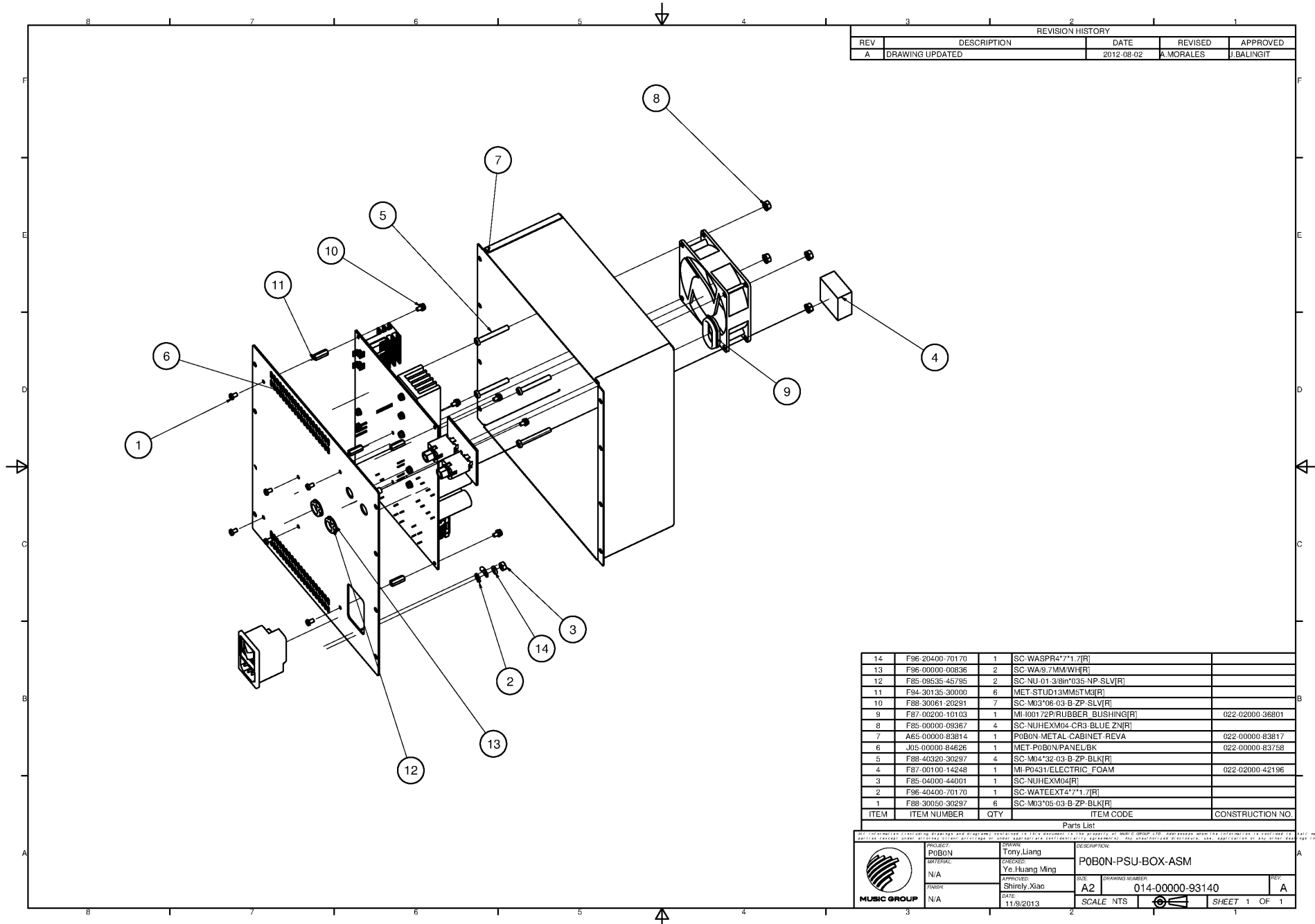
ITEM	ITEM NUMBER	QTY	ITEM CODE	CONSTRUCTION NO.
10	G20-00100-12624	1	P0787-MASTER CARTON-REVA.DWG	
9	A54-00000-xxxxx	1	QUICK START GUIDE.P0B0N;WW;REV:001	
8	A76-15212-03119	1	CABLE.AC.CORD.W/POLYBAG;LENGTH:152cm	
7	F91-02030-05793	1	SILICA GEL;MASS:30g;SPEC.NO:30QB BB2001-4	
6	G28-20090-14010	1	PE BAG;SIZE:9in*14in;W;WARNING	
5	G28-62451-45516	1	PE BAG;SIZE:24in*14in*45in;06 PE;W;WARNING	
4	G25-00000-97924	1	P0B0N-POLYFOAM TOP-REVA	
3	G25-00000-97922	1	P0B0N-POLYFOAM BR-REVA	
2	G25-00000-97920	1	P0B0N-POLYFOAM BL-REVA	
1	000-B0N01-00010	1	EUROPORT PPA500BT	

MECHANICAL PARTS LIST

All information (including drawings) and diagrams contained in this document is the property of MUSIC GROUP LTD. Reference will be made to the information contained in this information to confirm and shall not release to any unauthorized party without the prior written consent of MUSIC GROUP LTD. Reproduction or use without the prior written consent of MUSIC GROUP LTD. is prohibited. All information shall remain the property of MUSIC GROUP LTD. and shall not be disclosed to any third party without the prior written consent of MUSIC GROUP LTD.

	PROJECT: P0B0N(PPA500BT)	DRAWN: GX.WU	DESCRIPTION: P0B0N-PACKAGING ASSEMBLY-REVA
	CHECKED: HUA MING.YE	APPROVED: SHIRLEY.XIAO	SIZE: A2
	DATE: 2013/12/31	DATE: 2013/12/31	DRAWING NUMBER: 014-00000-97925
			REV: A

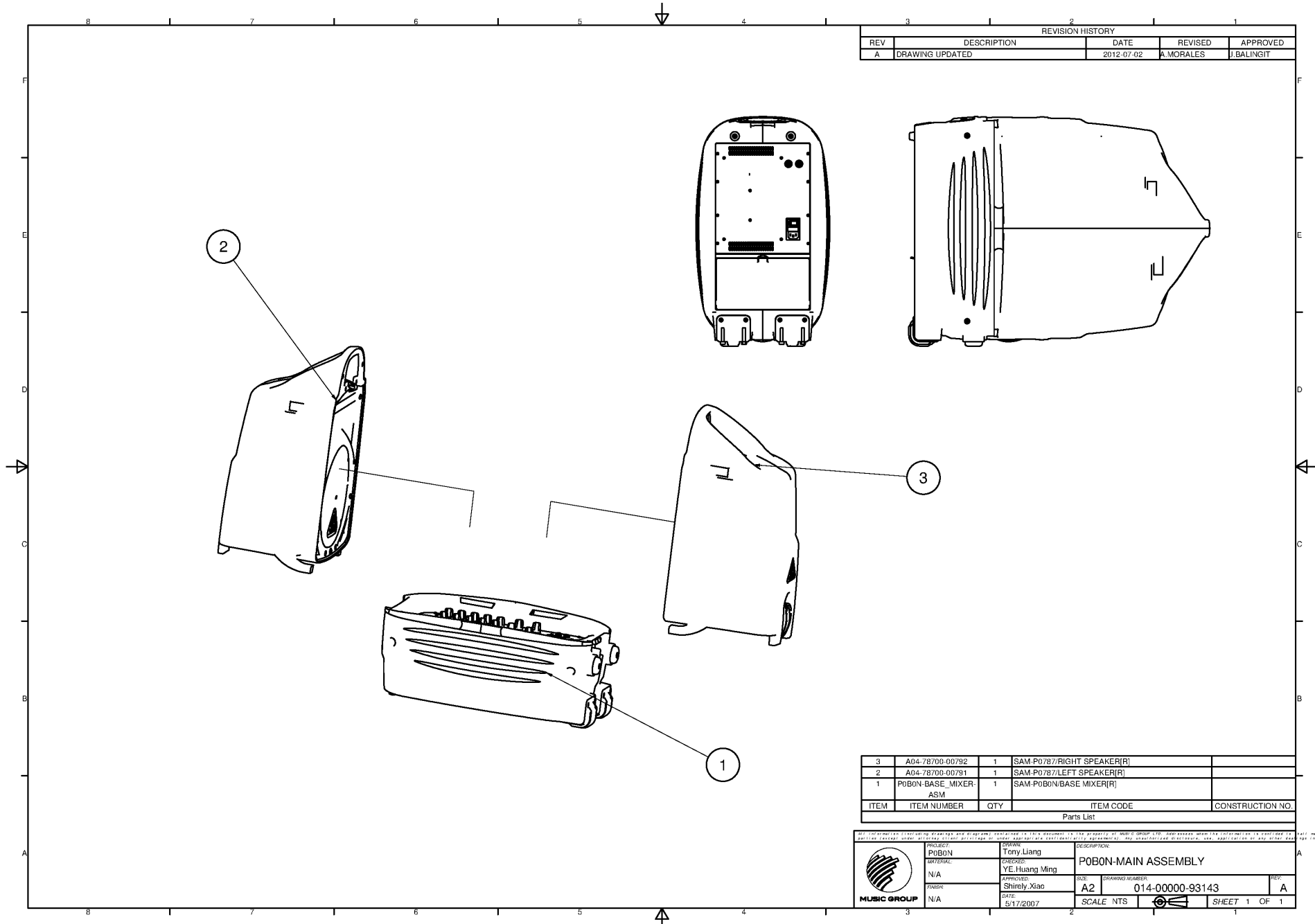
SCALE 1 : 10 SHEET 1 OF 1



REVISION HISTORY				
REV	DESCRIPTION	DATE	REVISED	APPROVED
A	DRAWING UPDATED	2012-08-02	A.MORALES	J.BALINGIT

ITEM	ITEM NUMBER	QTY	ITEM CODE	CONSTRUCTION NO.
14	F96-20400-70170	1	SC-WASPR4*7*1.7[R]	
13	F96-00000-00836	2	SC-WA9.7MMWH[R]	
12	F85-09535-45795	2	SC-NU-01-3/8in*035-NP-SLV[R]	
11	F84-30135-30000	6	MET-STUD13MM5TM3[R]	
10	F88-30061-20291	7	SC-M03*06-03-B-ZP-SLV[R]	
9	F87-00200-10103	1	MI-I00172P/RUBBER BUSHING[R]	022-02000-36801
8	F85-00000-09367	4	SC-NUHEXM04-CR3-BLUE ZN[R]	
7	A65-00000-83814	1	POB0N-METAL CABINET REVA	022-00000-83817
6	J05-00000-84626	1	MET-POB0N/PANELBK	022-00000-83758
5	F88-40320-30297	4	SC-M04*32-03-B-ZP-BLK[R]	
4	F87-00100-14248	1	MI-P0431/ELECTRIC_FOAM	022-02000-42196
3	F85-04000-44001	1	SC-NUHEXM04[R]	
2	F96-40400-70170	1	SC-WATEXT4*7*1.7[R]	
1	F88-30050-30297	6	SC-M03*05-03-B-ZP-BLK[R]	

Parts List			
PROJECT:	POB0N	DRAWN:	Tony Liang
MATERIAL:	N/A	CHECKED:	Ye-Huang Ming
APPROVED:	Shinely-Xiao	DATE:	11/9/2013
SCALE:	A2	DRAWING NUMBER:	014-00000-93140
SHEET:	1	OF:	1

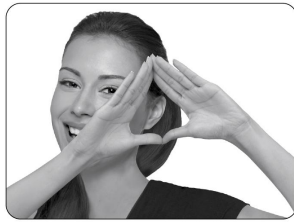


REVISION HISTORY				
REV	DESCRIPTION	DATE	REVISED	APPROVED
A	DRAWING UPDATED	2012-07-02	A.MORALES	J.BALINGIT

ITEM	ITEM NUMBER	QTY	ITEM CODE	CONSTRUCTION NO.
3	A04-78700-00792	1	SAM-P078/RRIGHT SPEAKER[R]	
2	A04-78700-00791	1	SAM-P078/LLEFT SPEAKER[R]	
1	POB0N-BASE MIXER-ASM	1	SAM-POB0N/BASE MIXER[R]	

Parts List

	PROJECT: POB0N	DRAWN: Tony Liang	DESCRIPTION: POB0N-MAIN ASSEMBLY	
	MATERIAL: N/A	CHECKED: YE.Huang Ming	SIZE: A2	DRAWING NUMBER: 014-00000-93143
	APPROVED: Shirely.Xiao	DATE: 5/17/2007	REV: A	
	SCALE: NTS		SHEET 1 OF 1	



We Hear You