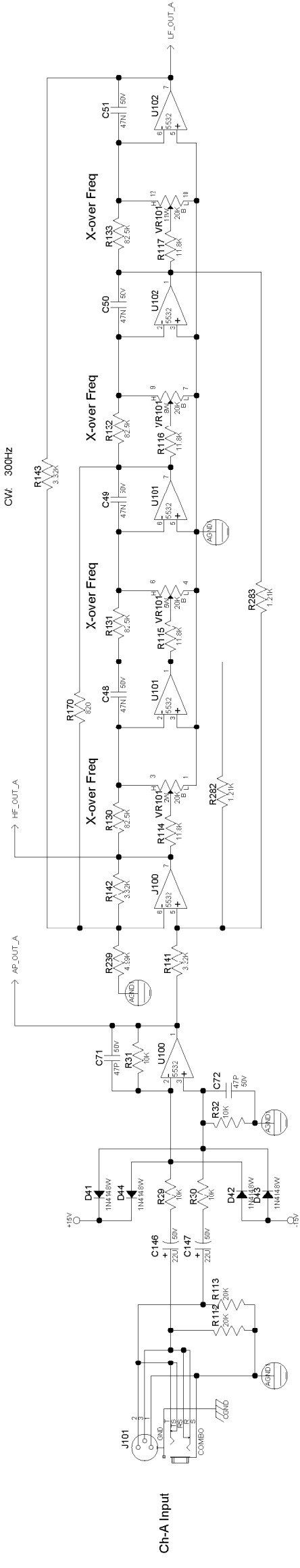
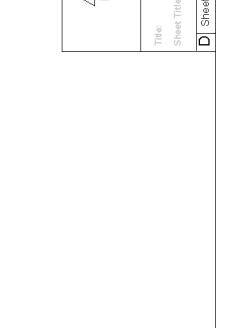
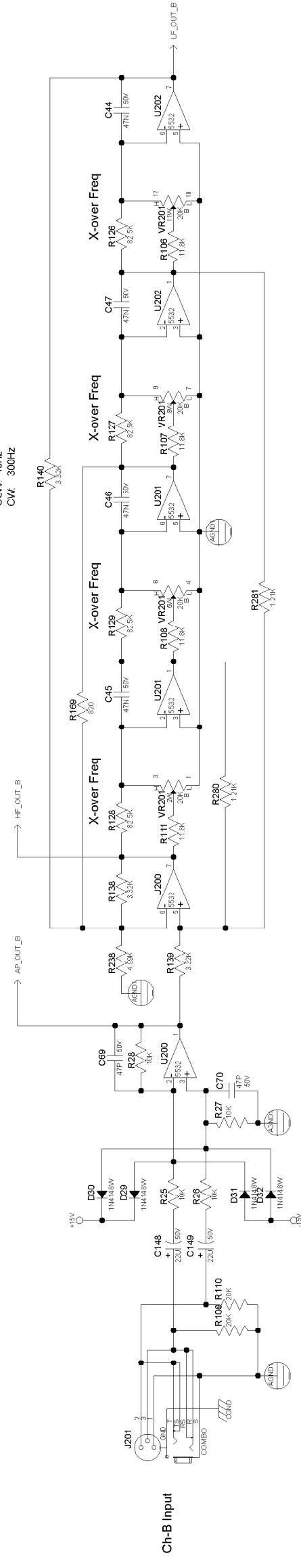


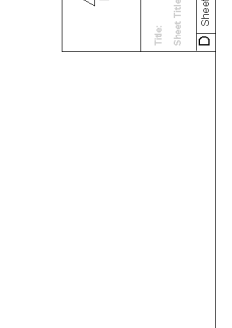
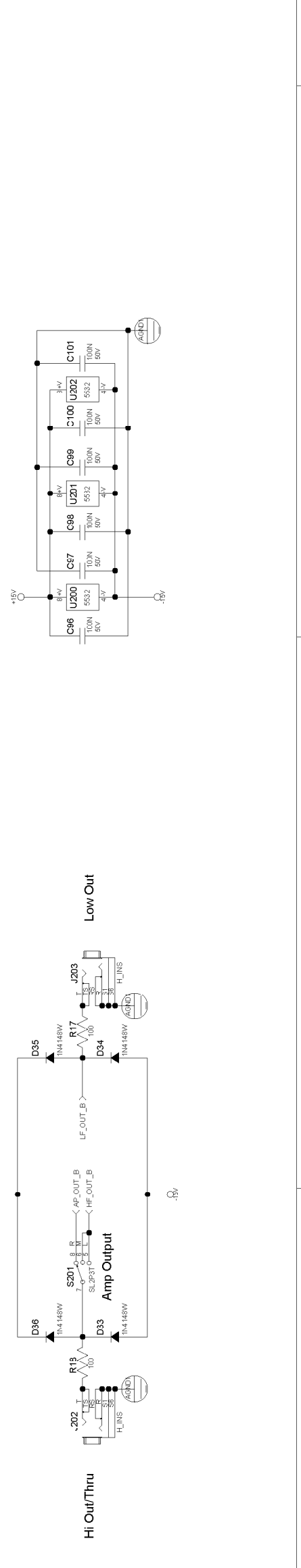
Crossover
CCW: 40Hz
CW: 300Hz



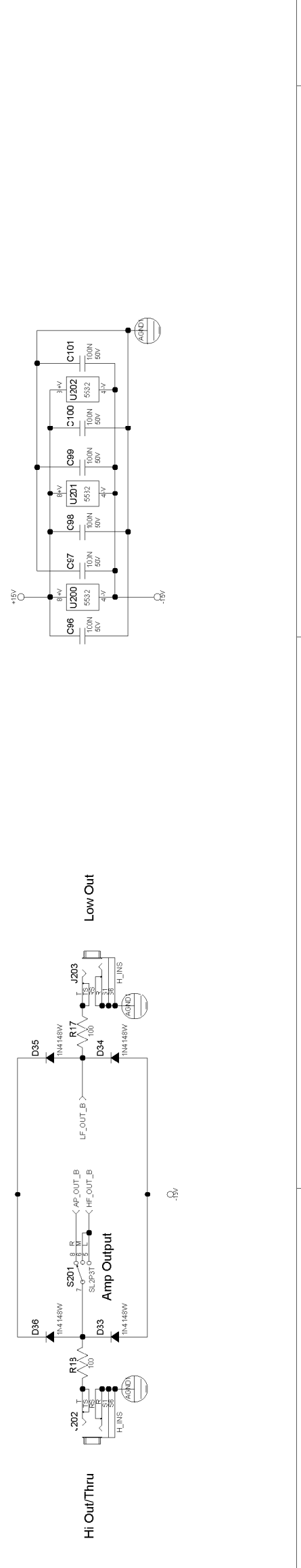
Crossover
CCW: 40Hz
CW: 300Hz



Crossover
CCW: 40Hz
CW: 300Hz



Crossover
CCW: 40Hz
CW: 300Hz



Low Cut Filter

CCW: 20Hz
CW: 100Hz

Ch-A Level

Low Cut Bypass Sw

AutoRamp

Short Circuit

Protect LED

Temp LED

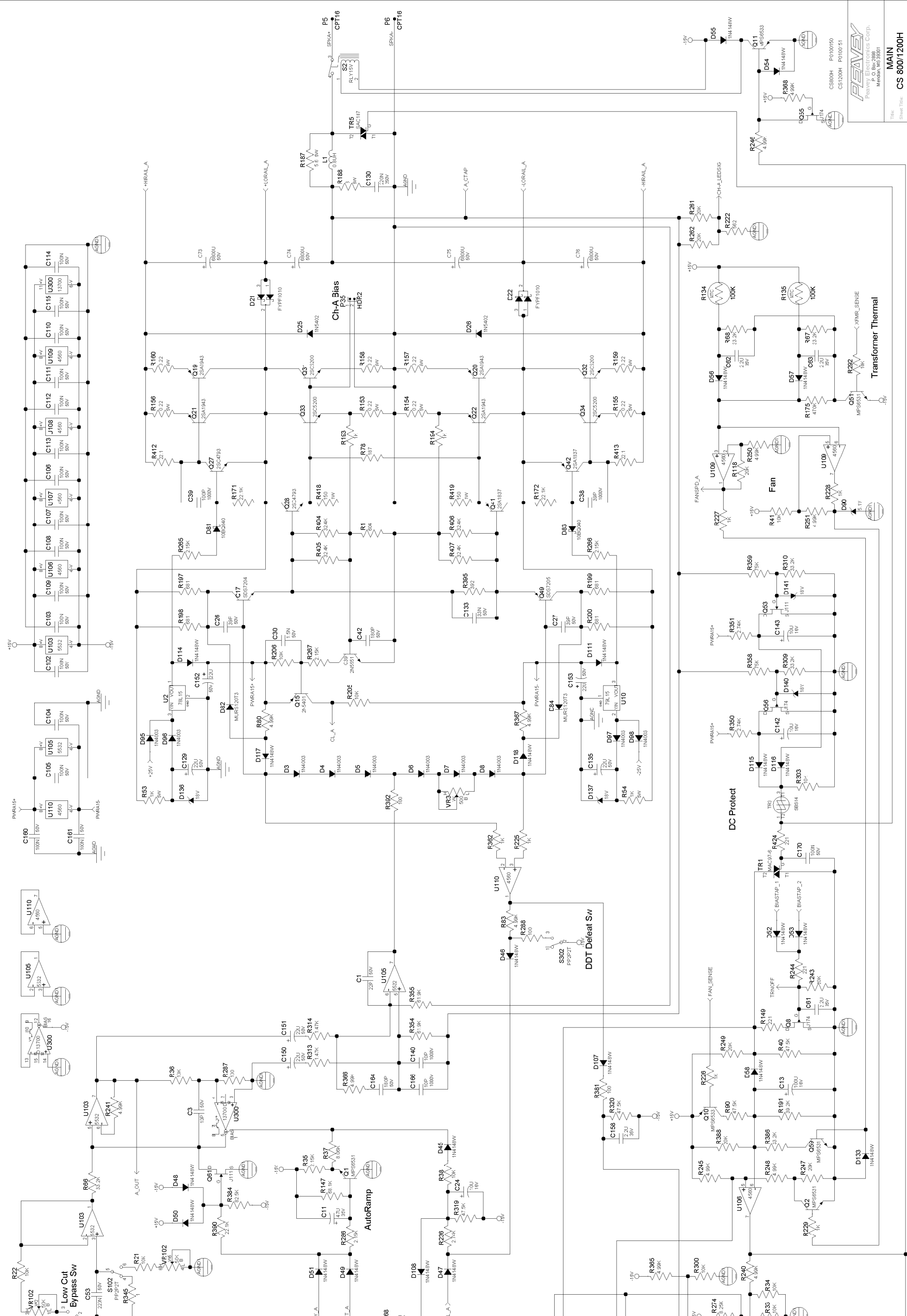
DDT LED

Active LED

DC Protect

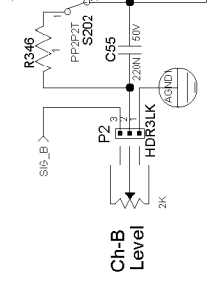
Fan

Transformer Thermal

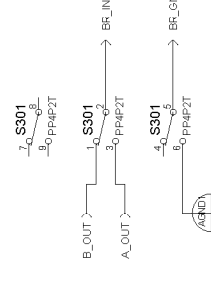


Low Cut Filter

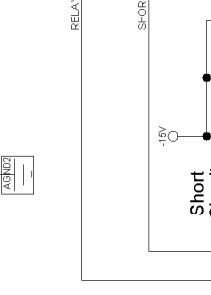
COV: 20Hz
CW: 100Hz



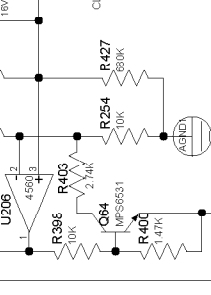
Mode Switch



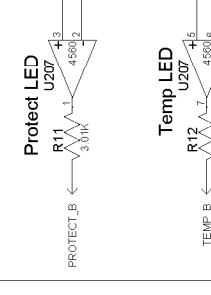
Ch-B Level



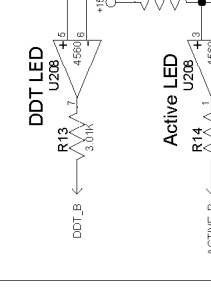
Short Circuit



Protect LED



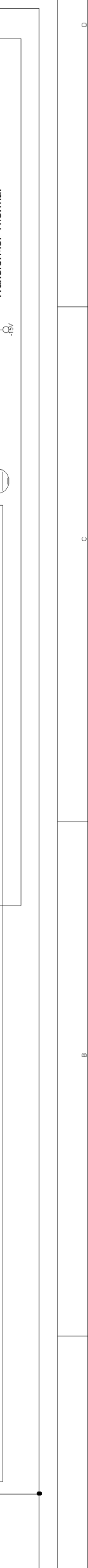
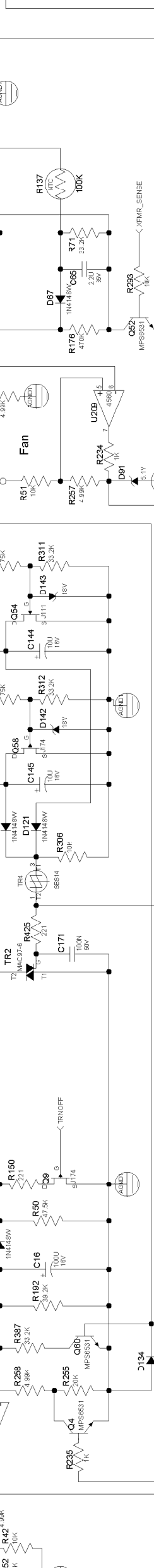
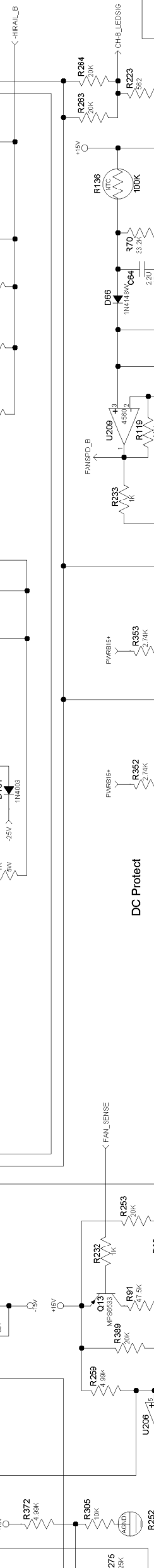
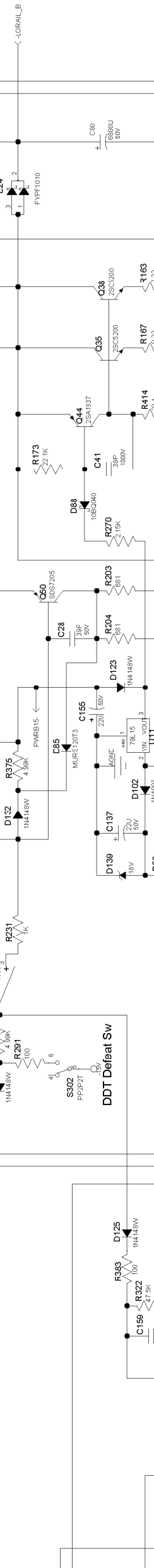
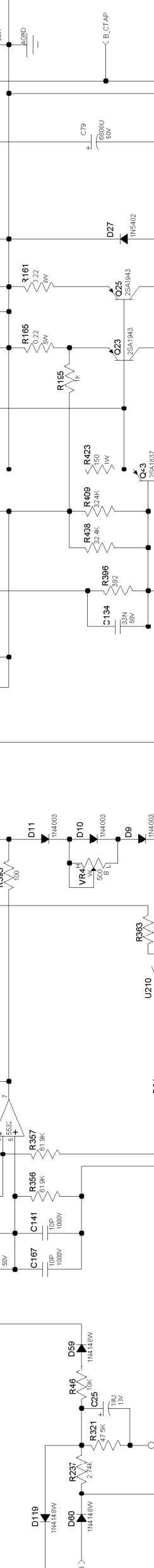
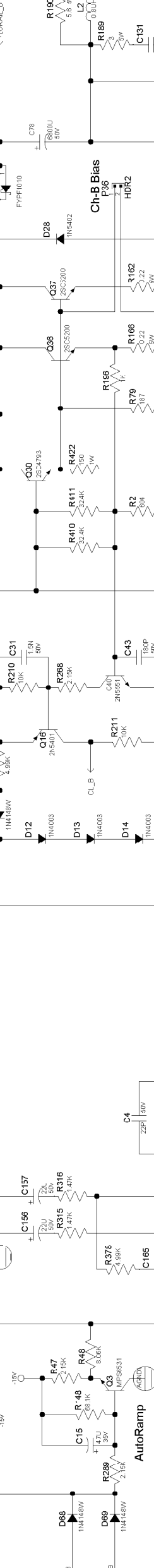
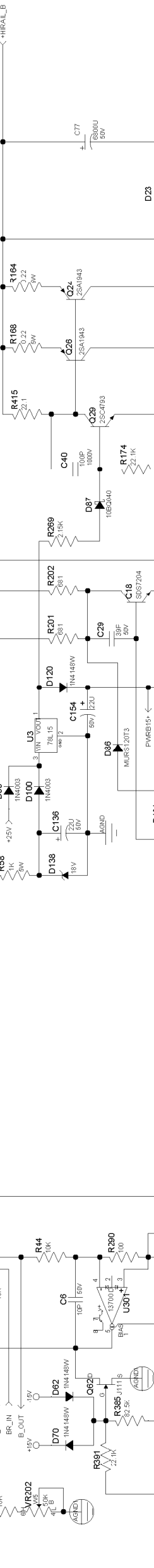
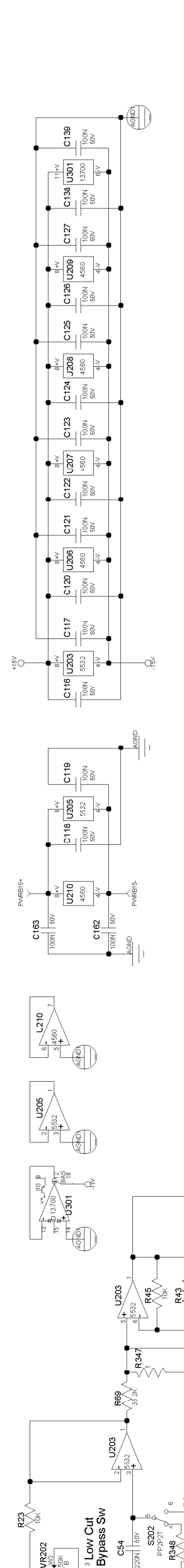
Temp LED

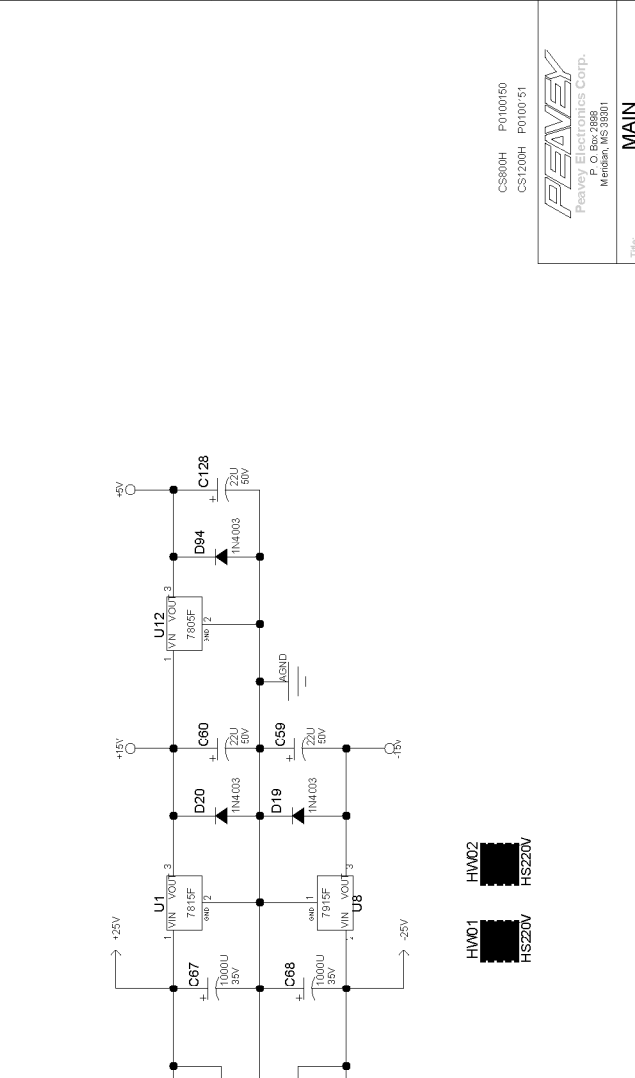
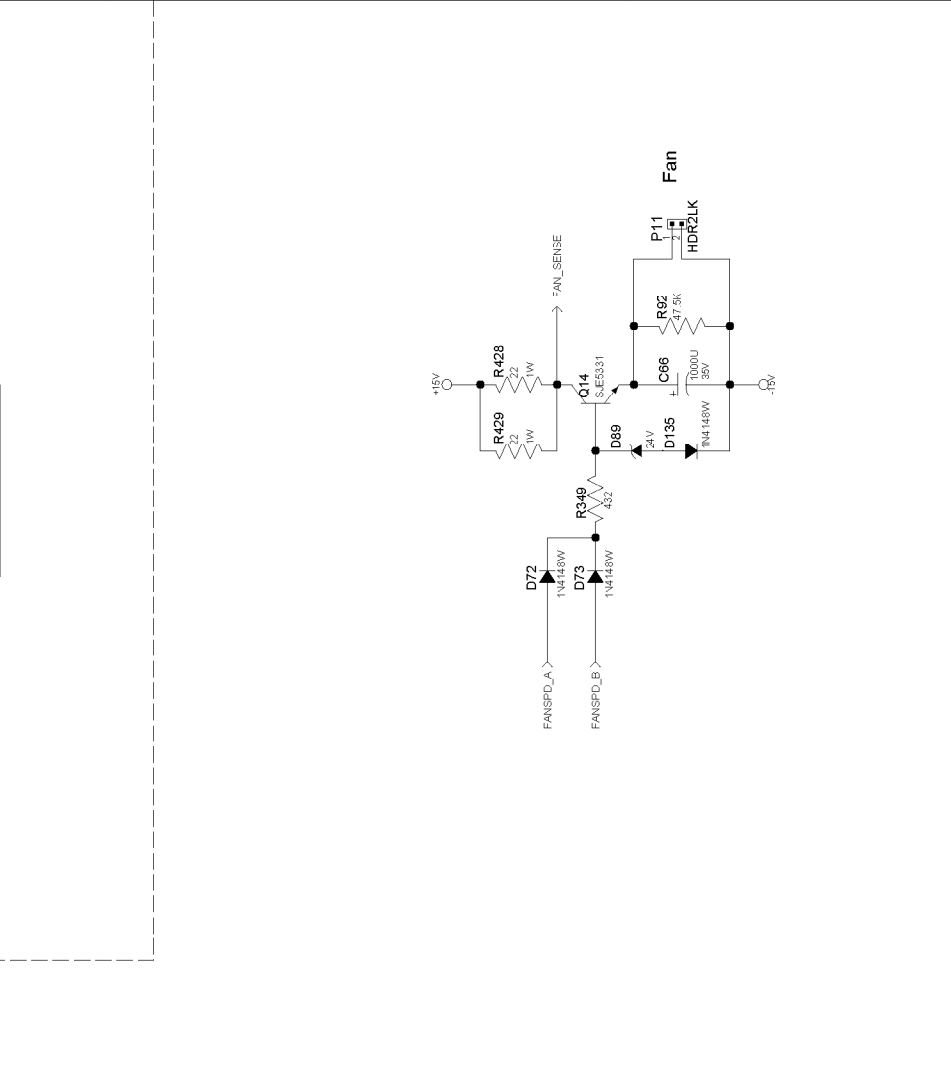
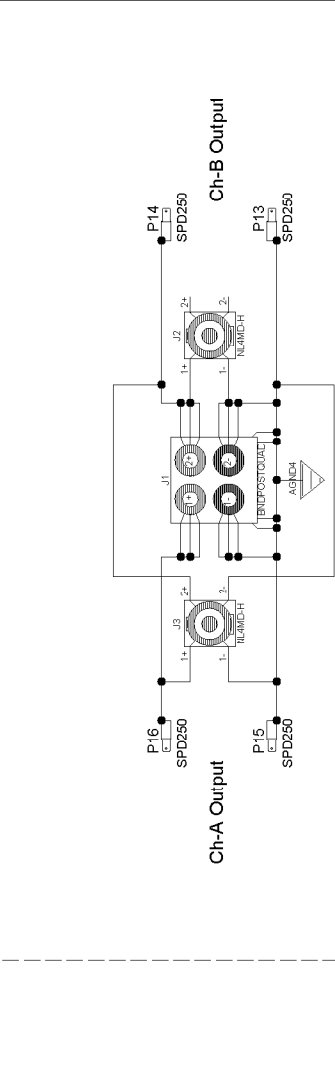
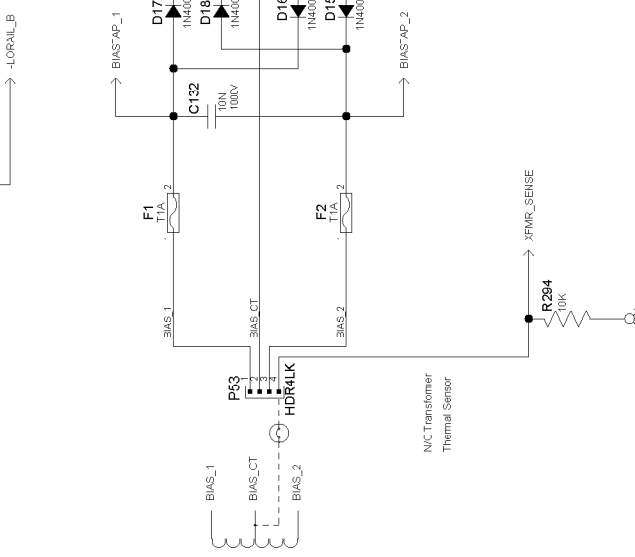
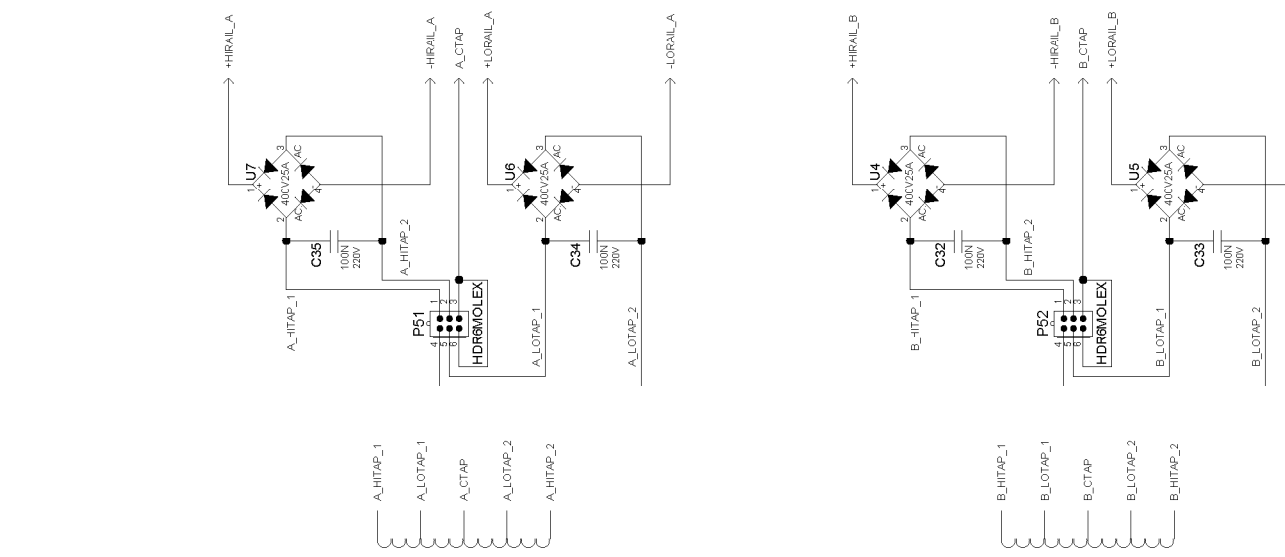
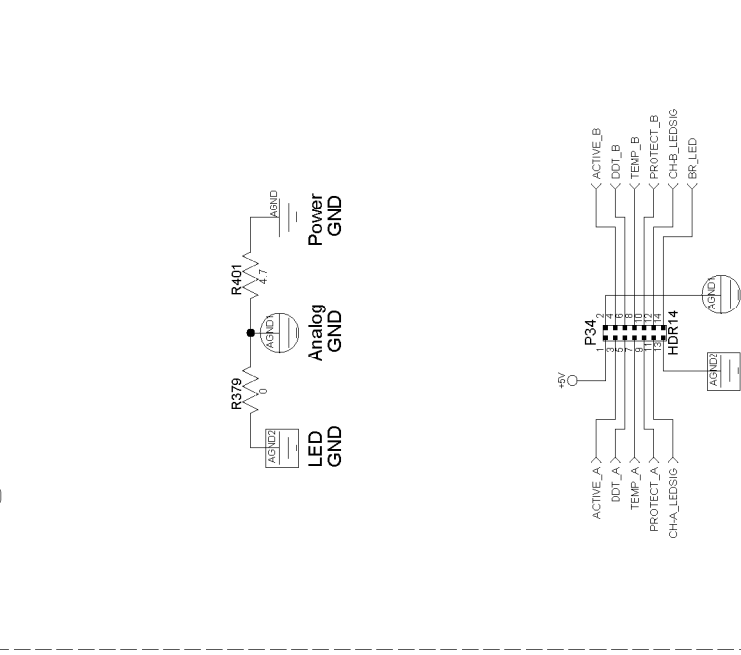
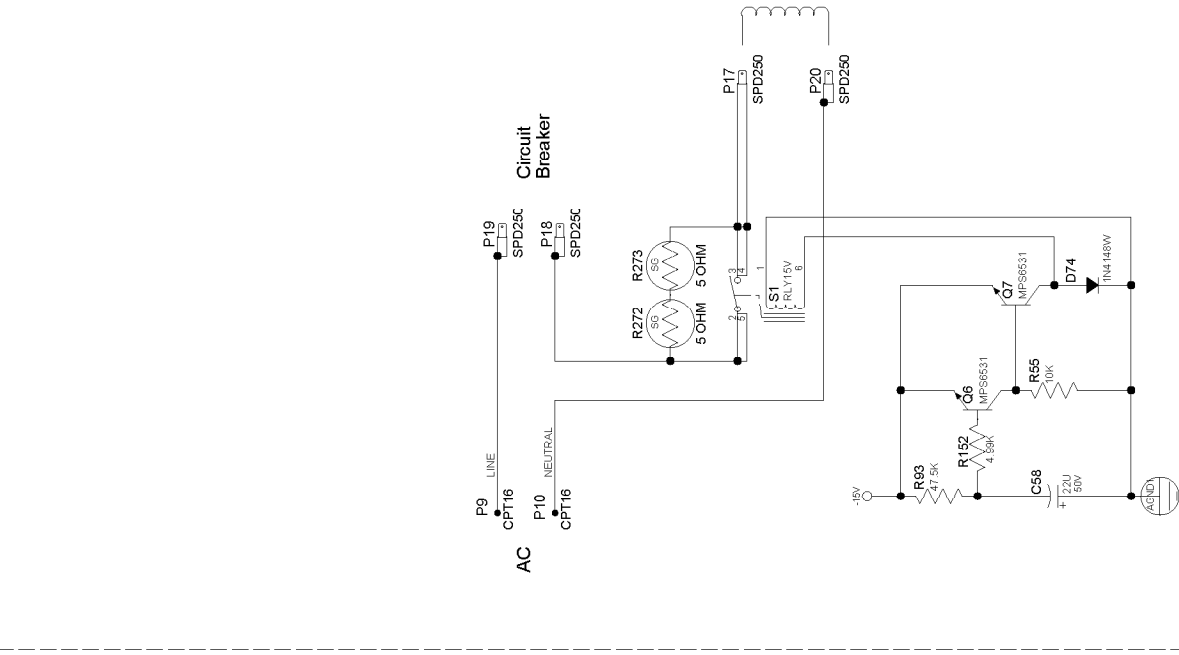
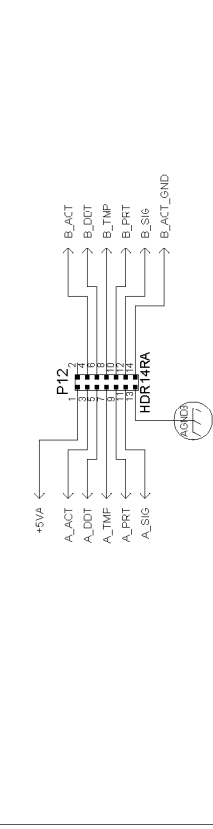
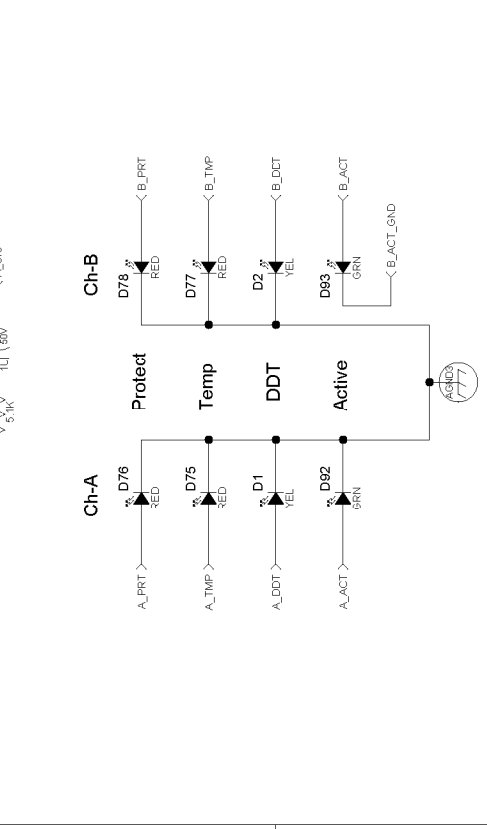
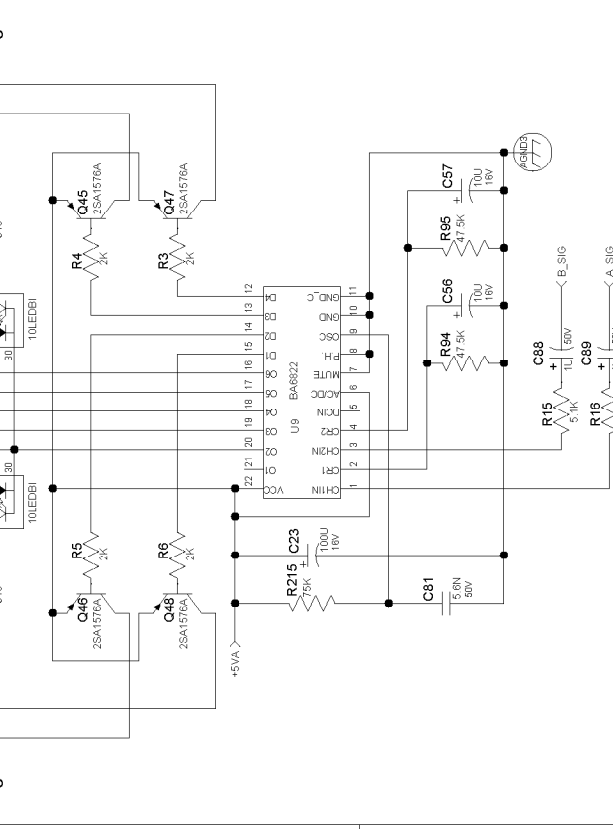
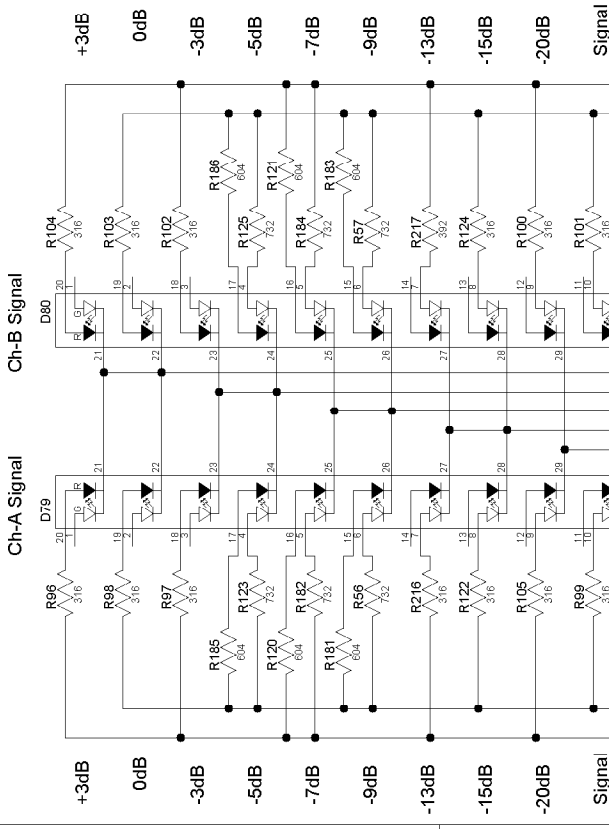


DDT LED

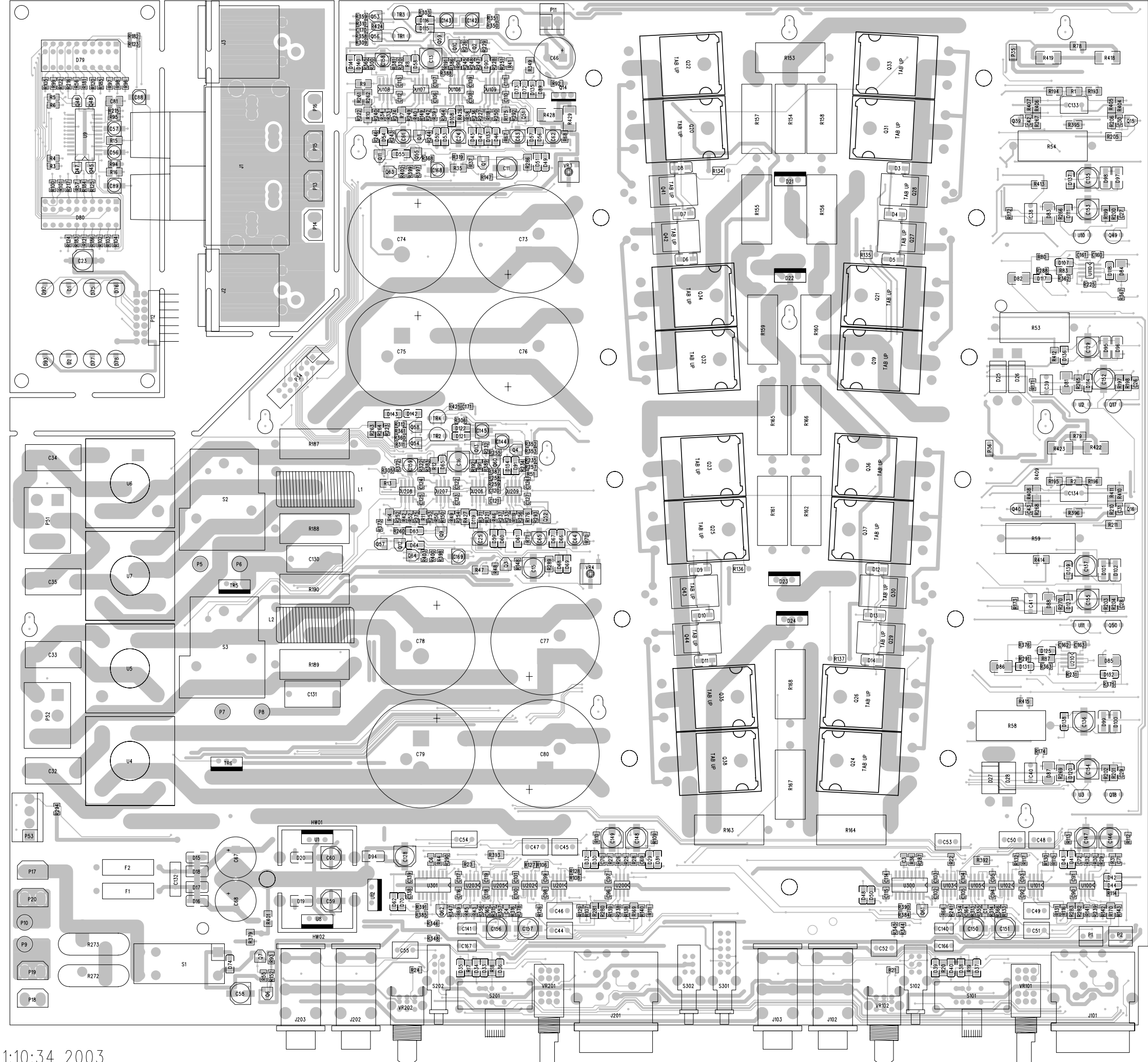


Active LED





PARTS NOT PLACED ON
CS800H AND CS1200H
C38,C39,C40,C41,C66



BILL OF MATERIAL REPORT

REPORT DATE/TIME: 9/22/2003 3:22:29 PM

BOARD NAME: CS800H ASSEMBLY LEVEL NUMBER: 99060001

PROJECT NUMBER: P0100150 DESIGNER: JTH

Qty.	Part #	Description	Reference Designators

--			
1	70200010	0.0 1/4W 5% MF 1206	R379
2	70200035	470K 1/4W 5% MF 1206	R175 R176
1	70200041	4.7 1/4W 5% MF 1206	R401
4	70200047	1K 1/4W 1% MF 1206	R193 R194 R195 R196
2	70200049	4.99K 1/4W 1% MF 1206	R83 R87
4	70200051	10K 1/4W 1% MF 1206	R205 R206 R210 R211
2	70200054	820 1/4W 5% MF 1206	R169 R170
4	70200059	20K 1/4W 1% MF 1206	R261 R262 R263 R264
6	70200060	100 1/4W 1% MF 1206	R17 R18 R19 R20 R392 R393
10	70200078	2.15K 1/4W 1% MF 1206	R35 R47 R265 R266 R267 R268 R269 R270 R286 R289
8	70200085	681 1/4W 1% MF 1206	R197 R198 R199 R200 R201 R202 R203 R204
2	70200094	5.1K 1/4W 5% MF 1206	R15 R16
4	70200101	22.1 1/4W 1% MF 1206	R412 R413 R414 R415
8	70200104	32.4K 1/4W 1% MF 1206	R404 R405 R406 R407 R408 R409 R410 R411
2	70200113	680K 1/4W 5% MF 1206	R426 R427
2	70200136	392 1/4W 1% MF 1206	R395 R396

4	70200143	1.21K	1/4W	1%	MF	1206	R280 R281 R282 R283
3	70200149	432	1/4W	1%	MF	1206	R1 R2 R349
8	70200151	3.01K	1/4W	1%	MF	1206	R7 R8 R9 R10 R11 R12 R13 R14
2	70200163	187	1/4W	1%	MF	1206	R78 R79
13	70200167	20K	1/10W	1%	MF	0805	R109 R110 R112 R113 R118 R119 R243 R247 R249 R253 R255 R388 R389
26	70200173	4.99K	1/10W	1%	MF	0805	R80 R152 R238 R239 R240 R241 R245 R246 R248 R250 R251 R252 R256 R257 R258 R259 R260 R365 R366 R367 R368 R372 R373 R375 R376 R378
36	70200174	10K	1/10W	1%	MF	0805	R21 R22 R23 R24 R25 R26 R27 R28 R29 R30 R31 R32 R33 R34 R36 R38 R41 R42 R43 R44 R45 R46 R51 R52 R55 R242 R254 R292 R293 R294 R300 R303 R305 R306 R397 R398
6	70200181	100	1/10W	1%	MF	0805	R287 R288 R290 R291 R381 R383
5	70200183	221	1/10W	1%	MF	0805	R149 R150 R244 R424 R425
1	70200184	392	1/10W	1%	MF	0805	R217
6	70200186	604	1/10W	1%	MF	0805	R120 R121 R181 R183 R185 R186
6	70200187	732	1/10W	1%	MF	0805	R56 R57 R123 R125 R182 R184
12	70200188	1.00K	1/10W	1%	MF	0805	R225 R226 R227 R228 R229 R231 R232 R233 R234 R235 R362 R363
8	70200193	11.8K	1/10W	1%	MF	0805	R106 R107 R108 R111 R114 R115 R116 R117

2	70200198	499	1/10W 1% MF 0805	R222 R223
2	70200200	8.25K	1/10W 1% MF 0805	R274 R275
6	70200201	1.47K	1/10W 1% MF 0805	R313 R314 R315 R316 R399 R400
6	70200202	3.32K	1/10W 1% MF 0805	R138 R139 R140 R141 R142 R143
4	70200204	2.00K	1/10W 1% MF 0805	R3 R4 R5 R6
14	70200205	47.5K	1/10W 1% MF 0805	R39 R40 R49 R50 R90 R91 R92 R93 R94 R95 R319 R320 R321 R322
2	70200208	8.06K	1/10W 1% MF 0805	R37 R48
2	70200238	22	1W 5% MF 2512	R428 R429
13	70200243	316	1/10W 1% MF 0805	R96 R97 R98 R99 R100 R101 R102 R103 R104 R105 R122 R124 R216
8	70200248	2.74K	1/10W 1% MF 0805	R236 R237 R350 R351 R352 R353 R402 R403
6	70200256	22.1K	1/10W 1% MF 0805	R171 R172 R173 R174 R390 R391
2	70200259	39.2K	1/10W 1% MF 0805	R191 R192
5	70200263	1.00	1/10W 1% MF 0805	R344 R345 R346 R347 R348
12	70200330	33.2K	1/10W 1% MF 0805	R66 R67 R68 R69 R70 R71 R309 R310 R311 R312 R386 R387
4	70200332	61.9K	1/10W 1% MF 0805	R354 R355 R356 R357
2	70200335	68.1K	1/10W 1% MF 0805	R147 R148
5	70200336	75.0K	1/10W 1% MF 0805	R215 R358 R359 R360 R361
12	70200337	82.5K	1/10W 1% MF 0805	R126 R127 R128 R129 R130 R131 R132 R133 R364 R371 R384 R385

4	70200388	150	1W	1%	MF	2512	R418 R419 R422 R423
2	70240210	5 OHM	12A	INRUSH	LIMITER		R272 R273
4	70240212	100K	NTC	THERMISTOR			R134 R135 R136 R137
1	70300073	5600PF	50V	5%	NPO	1210	C81
2	70300079	47UF	35V	20%	EL	SMT6	C11 C15
10	70300080	10UF	16V	20%	EL	SMT4	C24 C25 C56 C57 C142 C143 C144 C145 C168 C169
2	70300081	1UF	50V	20%	EL	SMT4	C88 C89
1	70300083	100UF	16V	20%	EL	SMT6	C23
7	70300084	2.2UF	35V	20%	ELN	SMT4	C61 C62 C63 C64 C65 C158 C159
46	70300085	0.1UF	50V	80-20%	Z5U	0805	C90 C91 C92 C93 C94 C95 C96 C97 C98 C99 C100 C101 C102 C103 C104 C105 C106 C107 C108 C109 C110 C111 C112 C113 C114 C115 C116 C117 C118 C119 C120 C121 C122 C123 C124 C125 C126 C127 C138 C139 C160 C161 C162 C163 C170 C171
2	70300086	10PF	50V	5%	NPO	0805	C3 C6
4	70300087	39PF	50V	5%	NPO	0805	C26 C27 C28 C29
20	70300099	22UF	50V	20%	EL	SMT6	C58 C59 C60 C128 C129 C135 C136 C137 C146 C147 C148 C149 C150 C151 C152 C153 C154 C155 C156 C157
2	70300150	22PF	50V	5%	NPO	0805	C1 C4
2	70300152	100UF	16V	20%	EL	LOZ SMT6	C13 C16
2	70300158	1500PF	50V	10%	X7R	0805	C30 C31
4	70300164	47PF	50V	5%	NPO	0805	C69 C70 C71 C72

4	70300169	180PF	50V	5%	NPO	0805	C42 C43 C164 C165
2	70320052	39PF	1000V	20%	Z5F	RADH	C38 C41
2	70320063	100PF	1000V	20%	Z5F	RADH	C39 C40
2	70320129	0.22UF	250V	10%	PE	RADH	C130 C131
3	70320186	1000UF	35V	20%	EL	RAD	C66 C67 C68
1	70320248	0.01UF	1000V	80-20%	Z5U	RAD	C132
4	70320249	10PF	1000V	80-20%	Z5U	RAD	C140 C141 C166 C167
4	70320307	0.1UF	220V	20%	PP	RADH	C32 C33 C34 C35
8	70320428	12000UF	63V	20%	EL	SNPHT3	C73 C74 C75 C76 C77 C78 C79 C80
4	70330128	0.22UF	50V	5%	PE	RAD	C52 C53 C54 C55
8	70330136	0.047UF	50V	5%	PE	RAD	C44 C45 C46 C47 C48 C49 C50 C51
2	70330141	0.033UF	50V	2%	PP	RAD	C133 C134
2	70400015	78L15	+15V	0.1A	REG	TO92	U2 U3
2	70400016	79L15	-15V	VREQ		TO92	U10 U11
2	70400187	SAC187	200V	TO220	TRIAC		TR5 TR6
1	70400318	7815F	+15V	INS	TO-220F	HOR	U1
1	70400319	7915	-15V	INS	TO-220F	HOR	U8
1	70400322	7805F	+5V	INSUL	TO-220F		U12
4	70400502	MR502/1N5402	200V	3A	DIOD		D25 D26 D27 D28
1	70400979	24V ZENER	(SOD123)	-SMT			D89
4	70401010	FYPF1010DN	SCHOTTKY	TO220			D21 D22 D23 D24
4	70401837	2SA1837	PNP	TO-220	230V		Q41 Q42 Q43 Q44

4	70402504	BR RECT 400V 25A WIRE LDS	U4 U5 U6 U7
4	70404793	2SC4793 NPN TO-220 230V	Q27 Q28 Q29 Q30
4	70418033	MPS6533/34 PNP SMT	Q10 Q11 Q12 Q13
10	70418053	4560 DUAL OPAMP SO8	U106 U107 U108 U109 U110 U206 U207 U208 U209 U210
2	70418136	2N5401 PNP SOT23	Q15 Q16
2	70418137	2N5551 NPN SOT23	Q39 Q40
4	70418138	J111 JFET N SOT23	Q53 Q54 Q61 Q62
6	70418139	J-174 P-JFET 30V SOT23	Q8 Q9 Q55 Q56 Q57 Q58
12	70418191	MPS-6531 NPN TRANS.SMT	Q1 Q2 Q3 Q4 Q6 Q7 Q51 Q52 Q59 Q60 Q63 Q64
4	70418219	SCHOTTKY 40V 1A SMT	D81 D83 D87 D88
2	70418231	NJM13700 DUAL OTA SMT	U300 U301
4	70418236	2SA1576A,PNP	Q45 Q46 Q47 Q48
27	70418261	1N4003 - SMT - SMA PKG	D3 D4 D5 D6 D7 D8 D9 D10 D11 D12 D13 D14 D15 D16 D17 D18 D19 D20 D94 D95 D96 D97 D98 D99 D100 D101 D102
1	70418314	BA6822F LED DRIVER SMT	U9
64	70418328	1N4148W SWITCHING DIODE	D29 D30 D31 D32 D33 D34 D35 D36 D37 D38 D39 D40 D41 D42 D43 D44 D45 D46 D47 D48 D49 D50 D51 D52 D53 D54 D55 D56 D57 D58 D59 D60 D61 D62 D63 D64 D65 D66 D67 D68 D69 D70 D72 D73

			D74 D107 D108 D111 D114 D115 D116 D117 D118 D119 D120 D121 D122 D123 D125 D131 D132 D133 D134 D135
4	70418374	MURS120T3 - SMT - SMB PKG	D82 D84 D85 D86
2	70418389	5.1V ZENER (SOD123)-SMT	D90 D91
8	70418403	18V ZENER (SOD123)-SMT	D136 D137 D138 D139 D140 D141 D142 D143
10	70418431	5532 DUAL OPAMP SO8	U100 U101 U102 U103 U105 U200 U201 U202 U203 U205
1	70425331	SJE-5331 CASE-77 NPN STRT	Q14
4	70450045	RED T1 LED W/.300" SPCR	D75 D76 D77 D78
2	70450046	GRN T1 LED W/.300" SPCR	D92 D93
2	70450047	YEL T1 LED W/.300" SPCR	D1 D2
2	70450087	10 LED ARRAY BI-COLOR	D79 D80
8	70458200	2SA1302 200V PNP TO-247AC	Q19 Q20 Q21 Q22 Q23 Q24 Q25 Q26
2	70460014	SBS14 8V BI-DIR SW T&A	TR3 TR4
2	70460097	MAC97-6 TRIAC TO-92 T&A	TR1 TR2
2	70467204	SDS-7204 CASE306 NPN RAD	Q17 Q18
2	70467205	SDS-7205 CASE306 PNP RAD	Q49 Q50
8	70468200	2SC3281 200V NPN POWER	Q31 Q32 Q33 Q34 Q35 Q36 Q37 Q38
2	70519917	.8UH AIR CORE	L1 L2
2	70900629	AAVID VER TO220 HEATSINK	HW01 HW02
2	70901712	1A 2AG FUSE T&R	F1 F2
2	71190451	50KB DUAL 9MM HOR	VR102 VR202
2	71190996	500B SNGL 6MM TRM VER	VR3 VR4

2	71191001	20K 3B 4SECT 9MM HOR	VR101 VR201
2	71322250	RELAY 18V SPST 30A SEALED	S2 S3
3	71322341	SWITCH DPDT PP 2.8MM PC H	S102 S202 S302
1	71322342	SWITCH 4PDT PP 2.8MM PC H	S301
1	71322371	RELAY 12V SPNO 16A SEALED	S1
2	71322427	SWITCH 2P3T SLIDE PC H	S101 S201
4	71466167	JK RA 12.5MM INS STEO-88	J102 J103 J202 J203
2	71466231	COMB COAXL FXLR-1/4JK	J101 J201
1	71466391	BINDING POST, PC,R/A QUAD	J1
2	71466399	PCB CONN.,4-POLE R/A SPEAKON	J2 J3
2	71600259	5.6 5W 10% WW AXLH SL	R187 R190
2	71600262	3 5W 10% WW AXLH SL	R188 R189
4	71600265	1K 5W 10% WW AXLH SL	R53 R54 R58 R59
16	71600662	0.22 5W 10% WW AXLH SL	R153 R154 R155 R156 R157 R158 R159 R160 R161 R162 R163 R164 R165 R166 R167 R168
6	73713817	WR-TO-BD CRIMP TERM 16GA	P5 P6 P7 P8 P9 P10
2	73714951	6P PCB MT HD FOR .093 PIN	P51 P52
8	73716194	SPADE .250 PC MNT .093	P13 P14 P15 P16 P17 P18 P19 P20
2	73717013	3 HDR V SR .100" TIN LK	P1 P2
1	73717078	14 HDR H DR .100" TIN	P12
1	73717118	14 HDR V DR .100" TIN	P34
2	73717122	2 HDR V SR .100" TIN	P35 P36
1	73719089	4 HDR V SR .156" TIN LK	P53
1	73719107	2 HDR V SR .156" TIN LK	P11
