

Service Manual



ULTRATONE K1800FX

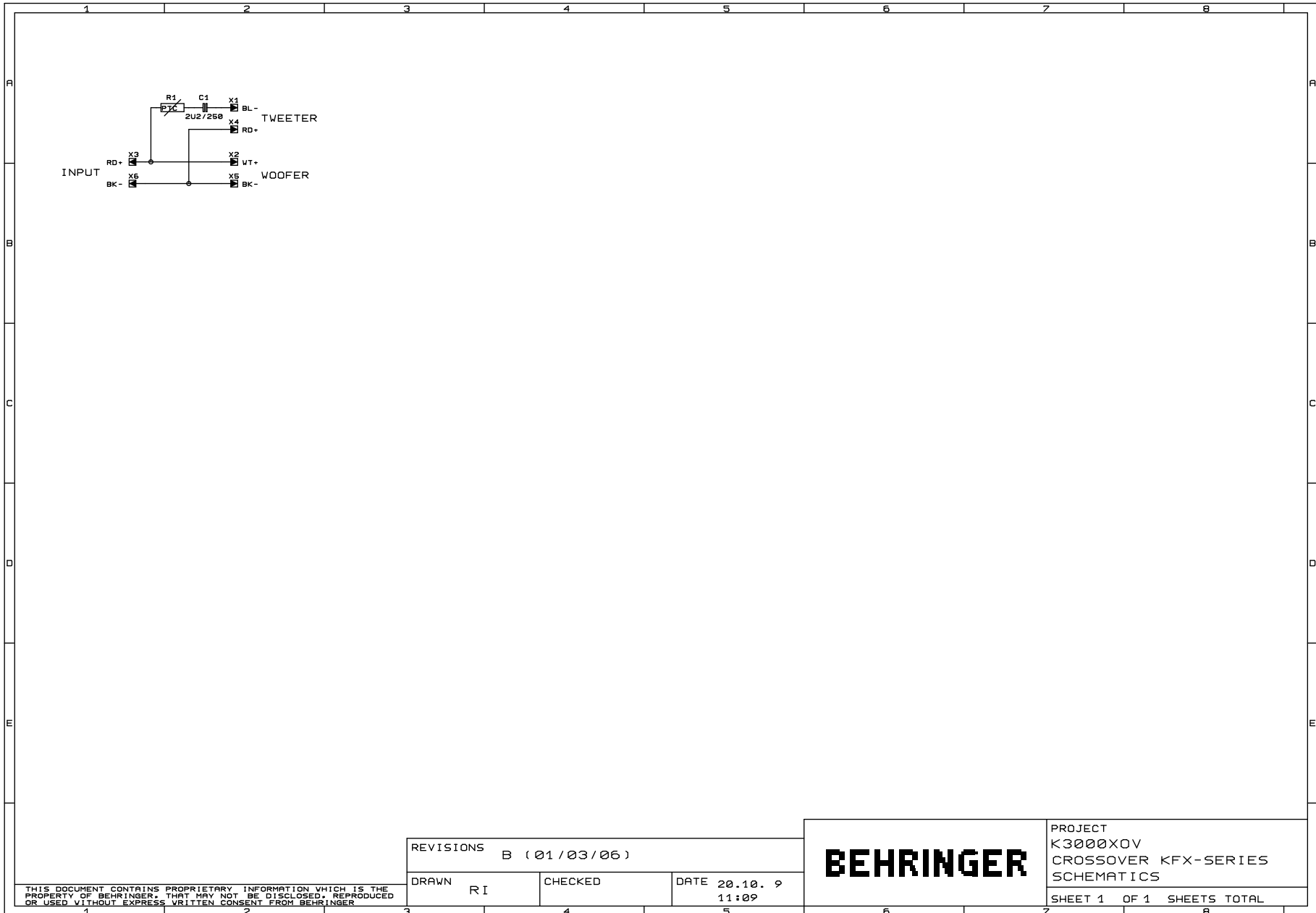
Ultra-Flexible 180-Watt 4-Channel PA System / Keyboard Amplifier with FX and FBQ Feedback Detection

Specifications	2
PCB Schematic	3
Parts List	9
Exploded Drawing	38

ULTRATONE K1800FX

Specifications

- Ultra-flexible 180-Watt 4-channel PA System / Keyboard Amplifier
- Powerful 12" BUGERA woofer and custom-made 1" driver for ultimate sound reproduction
- Integrated digital FX processor with 100 awesome presets including reverb, chorus, flanger, delay, pitch shifter and various multi-effects
- Revolutionary FBQ Feedback Detection System instantly reveals critical frequencies
- Full 4-channel stereo operation with separate Volume and FX Send per channel
- Additional XLR mic input on Channel 1 for direct connection of dynamic microphones
- Dedicated 7-band graphic EQ for awesome sound shaping
- Balanced stereo XLR DI with Ground Lift switch for direct connection to your mixing console
- Main section with FX Return level, Master Volume, Phones level and Shape switch
- Link output allows linking to a slave amplifier for true stereo operation
- Subwoofer output for ultimate low-end power
- CD input allows you to play along to your favorite music
- Separate headphone output—perfect for quiet practicing
- High-quality components and exceptionally rugged construction ensure long life
- Conceived and designed by BEHRINGER Germany



REVISIONS B (01/03/06)

DRAWN RI

CHECKED

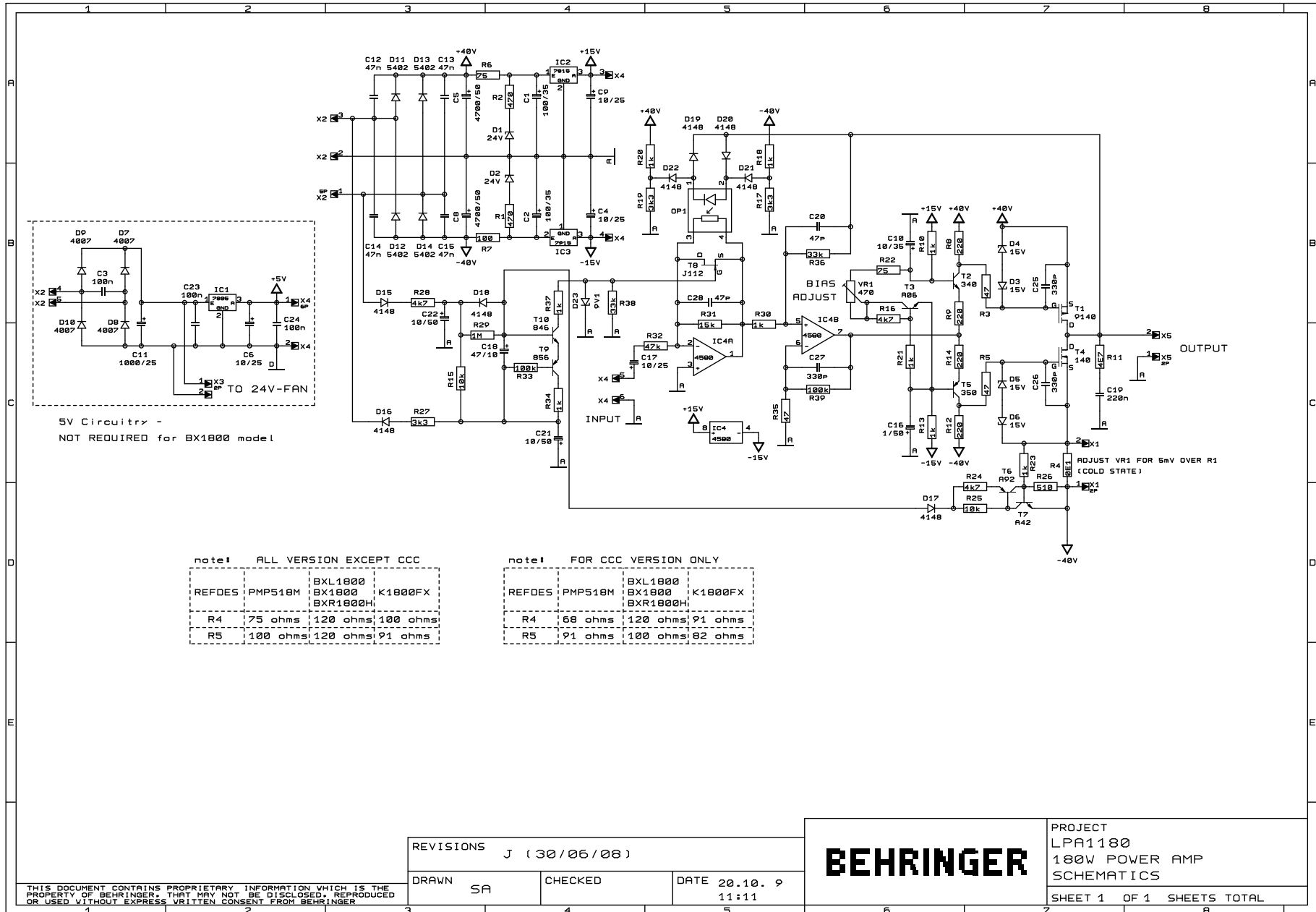
DATE 20.10. 9
11:09

BEHRINGER

PROJECT
K3000XOV
CROSSOVER KFX-SERIES
SCHEMATICS

SHEET 1 OF 1 SHEETS TOTAL

THIS DOCUMENT CONTAINS PROPRIETARY INFORMATION WHICH IS THE PROPERTY OF BEHRINGER. THAT MAY NOT BE DISCLOSED, REPRODUCED OR USED WITHOUT EXPRESS WRITTEN CONSENT FROM BEHRINGER



5V Circuitry -
NOT REQUIRED for BX1800 model

note! ALL VERSION EXCEPT CCC

REFDES	PMP518M	BXL1800	K1800FX
		BX1800	
		BXR1800H	
R4	75 ohms	120 ohms	100 ohms
R5	100 ohms	120 ohms	91 ohms

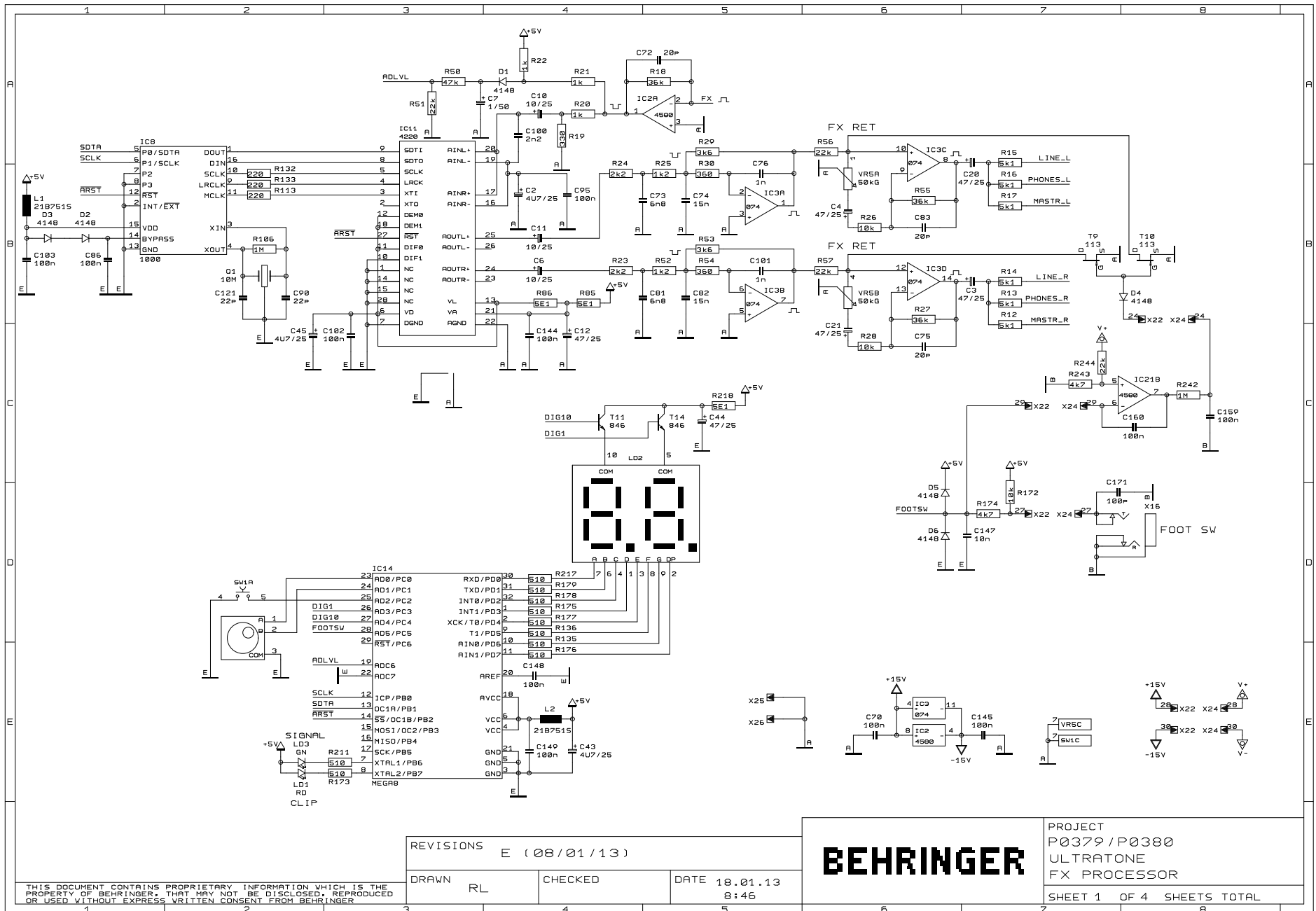
note! FOR CCC VERSION ONLY

REFDES	PMP518M	BXL1800	K1800FX
		BX1800	
		BXR1800H	
R4	68 ohms	120 ohms	91 ohms
R5	91 ohms	100 ohms	82 ohms

REVISIONS	J (30/06/08)		
DRAWN	SA	CHECKED	DATE 20.10.9 11:11

BEHRINGER	PROJECT LPA1180
	180W POWER AMP SCHEMATICS
	SHEET 1 OF 1 SHEETS TOTAL

THIS DOCUMENT CONTAINS PROPRIETARY INFORMATION WHICH IS THE PROPERTY OF BEHRINGER. THAT MAY NOT BE DISCLOSED, REPRODUCED OR USED WITHOUT EXPRESS WRITTEN CONSENT FROM BEHRINGER

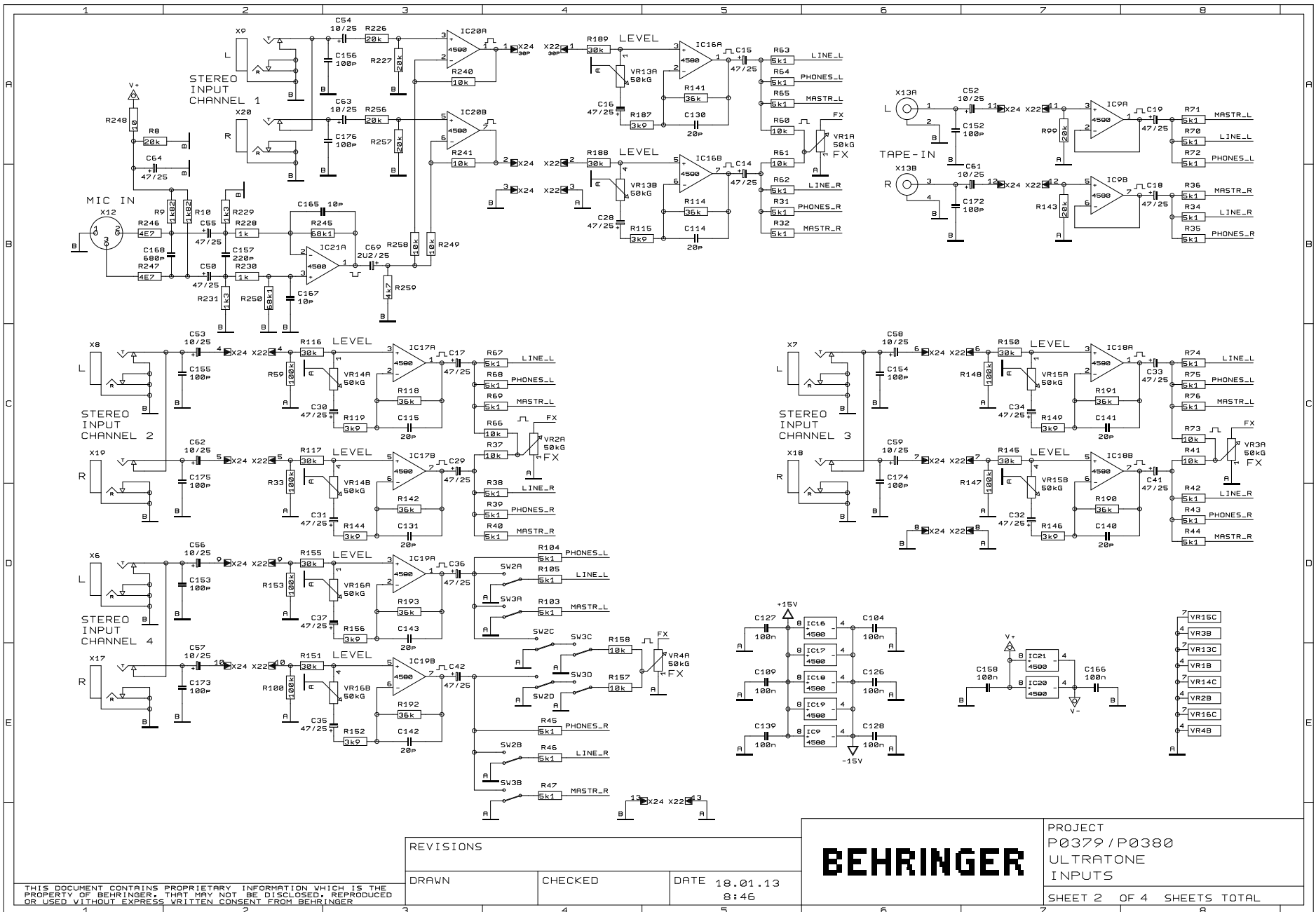


REVISIONS		E (08/01/13)	
DRAWN	RL	CHECKED	DATE 18.01.13 8:46

BEHRINGER

PROJECT
P0379/P0380
ULTRATONE
FX PROCESSOR
SHEET 1 OF 4 SHEETS TOTAL

THIS DOCUMENT CONTAINS PROPRIETARY INFORMATION WHICH IS THE PROPERTY OF BEHRINGER. THAT MAY NOT BE DISCLOSED, REPRODUCED OR USED WITHOUT EXPRESS WRITTEN CONSENT FROM BEHRINGER

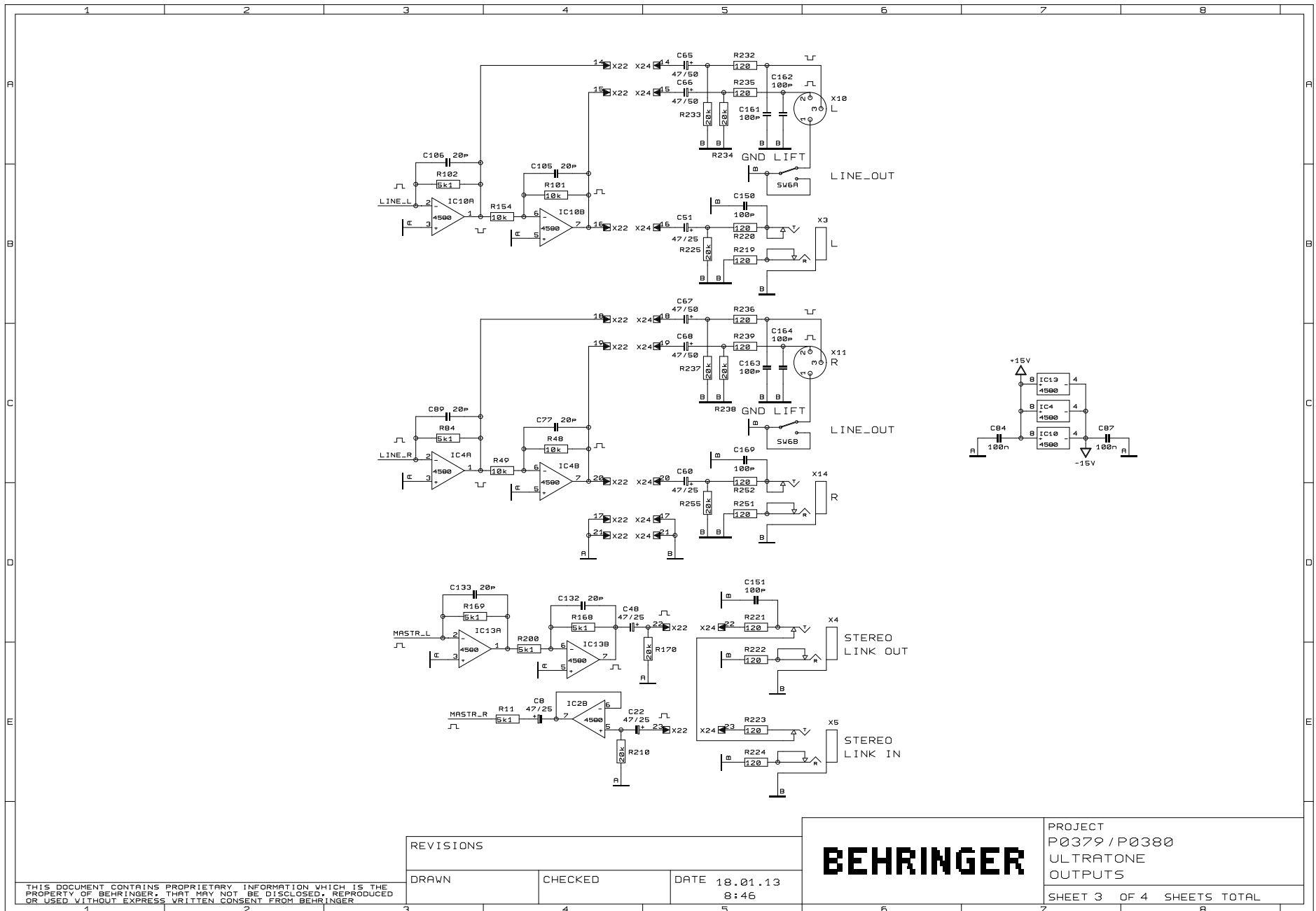


REVISIONS

DRAWN _____ CHECKED _____ DATE 18.01.13
8:46

BEHRINGER

PROJECT
P0379/P0380
ULTRATONE
INPUTS
SHEET 2 OF 4 SHEETS TOTAL



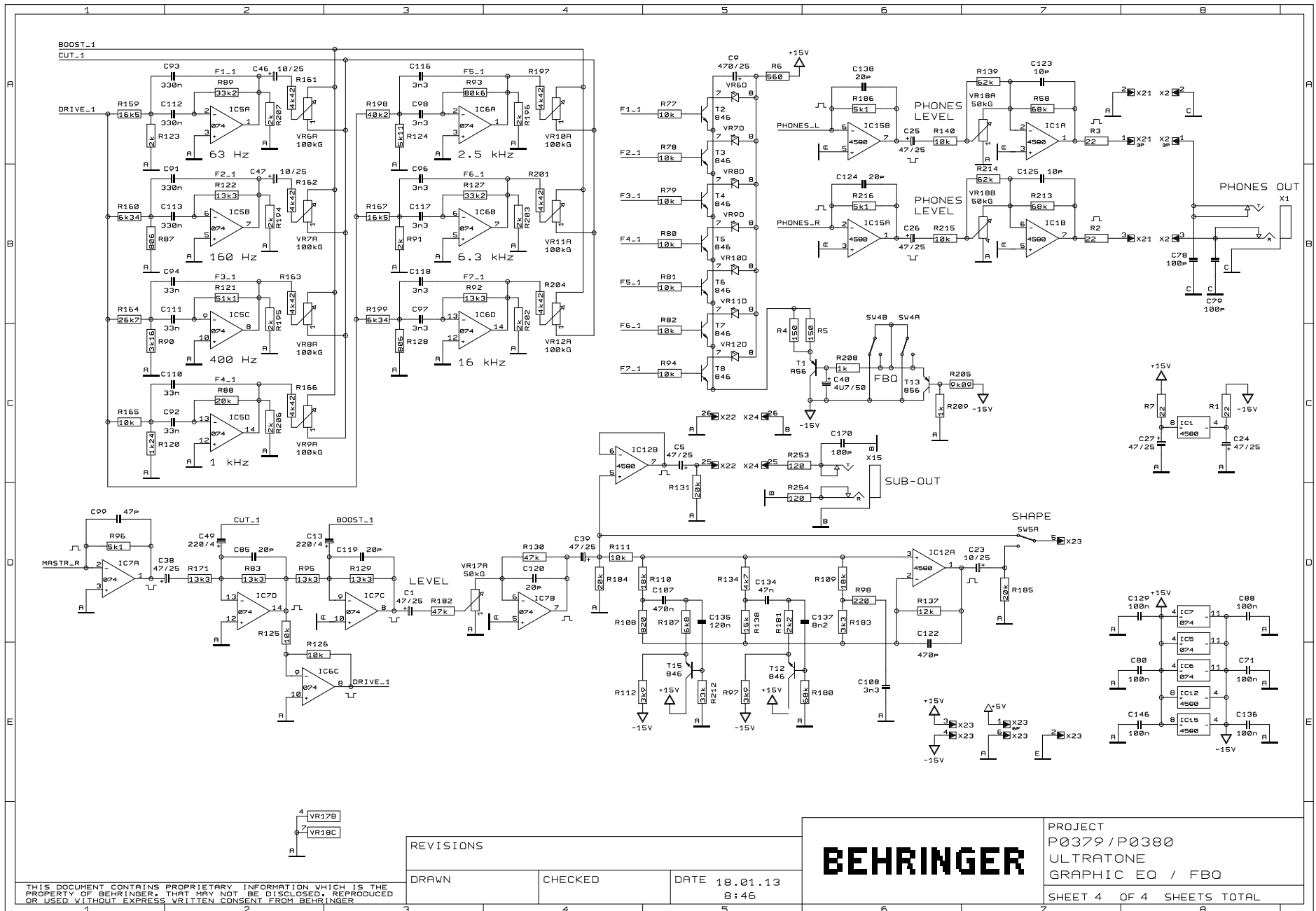
REVISIONS

DRAWN CHECKED DATE 18.01.13
8:46

BEHRINGER

PROJECT
P0379/P0380
ULTRATONE
OUTPUTS
SHEET 3 OF 4 SHEETS TOTAL

THIS DOCUMENT CONTAINS PROPRIETARY INFORMATION WHICH IS THE PROPERTY OF BEHRINGER. THAT MAY NOT BE DISCLOSED, REPRODUCED OR USED WITHOUT EXPRESS WRITTEN CONSENT FROM BEHRINGER



Hi Pcb Assemblies

	Quantity	Unit	Item	Rev	Description	Reference Designators	Notes
1	1.0000	PC	A05-37902-00978		PCB ASSEMBLY;K3000FX;PCB:2;PHONES;REV:E;HI;NO:910080		(EU, UL, JP, UK, SAA, CCC, BR, AR, HL, SH, RU)
2	1.0000	PC	A05-37900-10313		PCB ASSEMBLY;X-OVER;K3000FX;REV:B;HI;NO:601030		(EU, UL, JP, UK, SAA, CCC, BR, AR, HL, SH, RU)
3	1.0000	PC	A05-00000-05730		PCB ASSEMBLY;LPA1180;REV:J;HAND INSERT;NO:926020		(EU, UL, JP, UK, SAA, CCC, BR, AR, HL, SH, RU)
4	1.0000	PC	A05-37901-00973		PCB ASSEMBLY;K3000FX;PCB:1;FRONT;REV:E;HI;NO:909080		(EU, UL, JP, UK, SAA, CCC, BR, AR, HL, SH, RU)
5	1.0000	PC	A05-37903-00983		PCB ASSEMBLY;K3000FX;PCB:3;REAR;REV:E;HI;NO:928030		(EU, UL, JP, UK, SAA, CCC, BR, AR, HL, SH, RU)
6	1.0000	PC	A05-38000-05740		PCB ASSEMBLY;LPA1180;K1800FX;REV:J;HAND INSERT;NO:926020		(EU, UL, JP, UK, SAA, BR, AR, HL, SH, RU)
7	1.0000	PC	A05-37902-00978		PCB ASSEMBLY;K3000FX;PCB:2;PHONES;REV:E;HI;NO:910080		UPDATE TO NEW REVISION
8	1.0000	PC	A05-00000-05730		PCB ASSEMBLY;LPA1180;REV:J;HAND INSERT;NO:926020		
9	1.0000	PC	A05-37901-00973		PCB ASSEMBLY;K3000FX;PCB:1;FRONT;REV:E;HI;NO:909080		UPDATE TO NEW REVISION
10	1.0000	PC	A05-37903-00983		PCB ASSEMBLY;K3000FX;PCB:3;REAR;REV:E;HI;NO:928030		UPDATE TO NEW REVISION
11	1.0000	PC	A05-37900-10313		PCB ASSEMBLY;X-OVER;K3000FX;REV:B;HI;NO:601030		UPDATE TO NEW REVISION
12	1.0000	PC	A05-38000-05740		PCB ASSEMBLY;LPA1180;K1800FX;REV:J;HAND INSERT;NO:926020		
13	1.0000	PC	A05-38000-05741		PCB ASSEMBLY;LPA1180;CCC;K1800FX;REV:J;HAND INSERT;NO:926020		(CCC)

Cable

	Quantity	Unit	Item	Rev	Description	Reference Designators	Notes
1	200.0000	MM	A77-00000-51000		LEAD WIRE;LOUDSPEAKER;COPPER ALLOY SILVER PLATED;DIA:1mm2;ATA16HKA42W		
2	50.0000	MM	A77-00000-59000		LEAD WIRE 05;LOUDSPEAKER;COPPER ALLOY SILVER PLATED;DIA:1mm;AG2JKA42W		
3	0.1800	G	A77-01000-50000		LEAD WIRE;VOICE COIL;PESV;DIA:0mm10		
4	1.0000	PC	A76-15222-06417		CABLE;AC-CORD;W/POLYBAG;LENGTH:152cm;AWG:18;VERSION;UL;SPEC.NO:06417		(UL)
5	1.0000	PC	A76-00000-05305		CABLE;AC-CORD;3;BR;1500 MM;Plug + Connector:375+730;H05VV-F 3G0.75		(BR)
6	1.0000	PC	A81-54530-66512		WIRE HARNESS;LENGTH:545mm;AWG:26;P:2mm;SHS;POL:6;SHIELDED;SHIELD ON PIN6;COLORED		(EU, UL, JP, UK, SAA, CCC, BR, AR, HL, SH, RU)
7	1.0000	PC	A88-00000-81986		CABLE;SPEAKER;290 MM;AWG:18;UL1007;RED;S/T:5MM;RED&BLUE AMP terminal:5.2mm	[X-OVER:00: {1.0}]	(EU, UL, JP, UK, SAA, CCC, BR, AR, HL, SH, RU)
8	1.0000	PC	A88-00000-03630		CABLE;SPEAKER;AWG:18;UL1007;3.96 MM;2;COMMON;470 MM;RD/BK;JS1121,CROSSED WIRE	[X-OVER:00: {1.0}]	(EU, UL, JP, UK, SAA, CCC, BR, AR, HL, SH, RU)
9	1.0000	PC	A81-07030-36542		WIRE HARNESS;LENGTH:70mm;AWG:26;P:2mm;SHS;HOUSING-BOARD IN CONNECTOR;POLES:3;PIN1 RD/OTHERS BK	[K3000FX:1: {1.0}(X21)]	(EU, UL, JP, UK, SAA, CCC, BR, AR, HL, SH, RU)
10	1.0000	PC	A77-10027-20208		CABLE;STRANDWIRE;LENGTH:100mm;AWG:18;UL1015;STRIP-TIN/LUG 4mm3;S/T LENGTH:7mm;COLOR:YEL/GRN		(EU, UL, JP, UK, SAA, CCC, BR, AR, HL, SH, RU)
11	1.0000	PC	A77-60020-27208		CABLE;STRANDWIRE;LENGTH:600mm;AWG:18;UL:1015;LUG 4mm3/LUG 4mm3;COLOR:YEL/GRN		(EU, UL, JP, UK, SAA, CCC, BR, AR, HL, SH, RU)
12	1.0000	PC	A77-10027-92208		CABLE;STRANDWIRE;LENGTH:100mm;ZEE;AWG:18;UL1015;STRIP-TIN/LUG 4mm3;S/T LENGTH:7mm;COLOR:YEL/GRN		(EU, UL, JP, UK, SAA, CCC, BR, AR, HL, SH, RU)
13	0.5600	M	A77-00080-00601		RAW WIRE;MULTICORE;SHIELDED;JACKET:PVC;UL2547;CORE S:5;80V;AWG:26;BLACK;5C(RED/ORANGE/BLACK/YELLOW/BROWN)+SPIRAL SHIELD		(EU, UL, JP, UK, SAA, CCC, BR, AR, HL, SH, RU)
14	1.0000	PC	A81-00000-04036		WIRE HARNESS;AWG:26;UL2468;2 MM;3;COMMON;70 MM;ALL BLACK PIN1 RED	[K3000FX:1: {1.0}(X21)]	(EU, UL, JP, UK, SAA, CCC, BR, AR, HL, SH, RU)
15	1.0000	PC	A76-15212-03119		CABLE;AC-CORD;W/POLYBAG;LENGTH:152cm;H05VV-F 3G 0.75MM2;VERSION;EU;SPEC.NO:03119		(EU, RU)
16	1.0000	PC	A76-15032-55649		CABLE;AC-CORD;CLASS II;W/POLYBAG;JAPAN;LENGTH:150cm;POLES:3;APPROVAL:PSE;JS15S3 + VCTF 3x0.75mm2 + V1528		(JP, HL, SH)

	Quantity	Unit	Item	Rev	Description	Reference Designators	Notes
17	0.0860	M	A77-00030-75201		RAW WIRE;HOOK-UP;DOUBLE INSULATED;JACKET:PVC;UL1672;CORES:1;300V;105 C;AWG:18;BLACK		(EU, UL, JP, UK, SAA, CCC, BR, AR, HL, SH, RU)
18	1.0000	PC	A76-18050-47490		CABLE;AC-CORD;LENGTH:180cm;VERSION:SAA;PLUG:HE105 ISOLATED;SAA H05VV-F 3x0.75mm ² ;CONN.HP-3;SPEC.NO:47490		(SAA)
19	0.3230	M	A77-00010-71207		RAW WIRE;JACKET:PVC;UL1007;CORES:1;300V;80 C;AWG:18;BLUE	[X-OVER:00: {0.323}]	(EU, UL, JP, UK, SAA, CCC, BR, AR, HL, SH, RU)
20	0.8110	M	A77-00010-71205		RAW WIRE;JACKET:PVC;UL1007;CORES:1;300V;80 C;AWG:18;RED	[X-OVER:00: {0.323}] [X-OVER:00: {0.488}]	(EU, UL, JP, UK, SAA, CCC, BR, AR, HL, SH, RU)
21	0.4430	M	A77-00010-71204		RAW WIRE;JACKET:PVC;UL1007;CORES:1;300V;80 C;AWG:18;WHITE	[X-OVER:00: {0.443}]	(EU, UL, JP, UK, SAA, CCC, BR, AR, HL, SH, RU)
22	0.1720	M	A74-00000-00730		WIRE;RAW FLAT CABLE;UL2651;AWG:28;POLES:30;GRAY;PIN1:RED;PITCH :1mm ²⁷	[K3000FX:1: {0.172}]	(EU, UL, JP, UK, SAA, CCC, BR, AR, HL, SH, RU)
23	0.7330	M	A77-00020-72208		RAW WIRE;HOOK-UP;JACKET:PVC;UL1015;CORES:1;600V;105 C;AWG:18;GREEN/YELLOW		(EU, UL, JP, UK, SAA, CCC, BR, AR, HL, SH, RU)
24	1.0000	PC	A88-00000-81987		CABLE;SPEAKER;400 MM;AWG:18;UL1007;WHITE;S/T:5MM;WHITE&BLACK AMP terminal:5.2mm	[X-OVER:00: {1.0}]	(EU, UL, JP, UK, SAA, CCC, BR, AR, HL, SH, RU)
25	1.0000	PC	A74-00050-16730		CABLE;FLAT;P2mm54;LENGTH:160mm;AWG:28;FC3;+10 /-0mm;POLES:30	[K3000FX:1: {1.0}(X22)]	(EU, UL, JP, UK, SAA, CCC, BR, AR, HL, SH, RU)
26	1.0000	PC	A81-00000-04041		WIRE HARNESS;AWG:26;UL2547;2 MM;6;COMMON;545 MM;BLACK		(EU, UL, JP, UK, SAA, CCC, BR, AR, HL, SH, RU)
27	0.0860	M	A77-00000-64603		CABLE;STRANDWIRE;AWG:26;UL2468;1.5 MM;UL;PIN1 RED;FLAT RIBBON WIRE,POLES;3,PITCH:1mm5,PVC, 80C 300V	[K3000FX:1: {0.086}]	(EU, UL, JP, UK, SAA, CCC, BR, AR, HL, SH, RU)
28	1.0000	PC	A77-60020-99208		CABLE;STRANDWIRE;LENGTH:600mm;ZEE;AWG:18;UL:1 015;LUG 4mm3/LUG 4mm3;COLOR:YEL/GRN		(EU, UL, JP, UK, SAA, CCC, BR, AR, HL, SH, RU)
29	0.9310	M	A77-00010-71201		RAW WIRE;JACKET:PVC;UL1007;CORES:1;300V;80 C;AWG:18;BLACK	[X-OVER:00: {0.443}] [X-OVER:00: {0.488}]	(EU, UL, JP, UK, SAA, CCC, BR, AR, HL, SH, RU)
30	1.0000	PC	A77-07037-79201		CABLE;STRANDWIRE;LENGTH:70mm;ZEE;AWG:18;UL16 72;S/T LENGTH:7mm;COLOR:BLK		(EU, UL, JP, UK, SAA, CCC, BR, AR, HL, SH, RU)
31	0.0860	M	A77-00000-64603		CABLE;STRANDWIRE;AWG:26;UL2468;1.5 MM;UL;PIN1 RED;FLAT RIBBON WIRE,POLES;3,PITCH:1mm5,PVC, 80C 300V	[K3000FX:1: {0.086}]	

	Quantity	Unit	Item	Rev	Description	Reference Designators	Notes
32	1.0000	PC	A81-54530-66512		WIRE HARNES;LENGTH:545mm;AWG:26;P:2mm;SHS;POL:6;S HIELED;SHIELD ON PIN6;COLORED		
33	1.0000	PC	A76-15042-05624		CABLE;AC-CORD;W/POLYBAG;LENGTH:150cm;H05VV-F3G0.75MM2;VERSION;UK;SPEC.NO:05624		(UK)
34	1.0000	PC	A77-07037-00201		CABLE;STRANDWIRE;LENGTH:70mm;AWG:18;UL1672;S/T LENGTH:7mm;COLOR:BLK		(EU, UL, JP, UK, SAA, CCC, BR, AR, HL, SH, RU)
35	0.1720	M	A74-00000-00730		WIRE;RAW FLAT CABLE;UL2651;AWG:28;POLES:30;GRAY;PIN1:RED;PITCH :1mm27	[K3000FX:1: {0.172}]	
36	1.0000	PC	A88-00000-81986		CABLE;SPEAKER;290 MM;AWG:18;UL1007;RED;S/T:5MM;RED&BLUE AMP terminal:5.2mm	[X-OVER:00: {1.0}]	
37	1.0000	PC	A76-15062-45714		CABLE;AC-CORD;W/POLYBAG;LENGTH:150cm;POLES:3;APPROVAL: CCC;HC103 + 227 IEC 53 (RVV) 3x0.75mm2 + HE109B		(CCC)
38	1.0000	PC	A81-00000-04036		WIRE HARNES;AWG:26;UL2468;2 MM;3;COMMON;70 MM;ALL BLACK PIN1 RED	[K3000FX:1: {1.0}{X21}]	
39	1.0000	PC	A76-00000-13573		CABLE;AC-CORD;3;AR;1500 MM;Plug + Connector:321+730;H05VV-F 3G0.75		(AR)
40	1.0000	PC	A77-10027-20208		CABLE;STRANDWIRE;LENGTH:100mm;AWG:18;UL1015; STRIP-TIN/LUG 4mm3;S/T LENGTH:7mm;COLOR:YEL/GRN		
41	1.0000	PC	A88-00000-03630		CABLE;SPEAKER;AWG:18;UL1007;3.96 MM;2;COMMON;470 MM;RD/BK;JS1121,CROSSED WIRE	[X-OVER:00: {1.0}]	
42	1.0000	PC	A77-10027-92208		CABLE;STRANDWIRE;LENGTH:100mm;ZEE;AWG:18;UL1 015;STRIP-TIN/LUG 4mm3;S/T LENGTH:7mm;COLOR:YEL/GRN		
43	0.5600	M	A77-00080-00601		RAW WIRE;MULTICORE;SHIELDED;JACKET:PVC;UL2547;CORE S:5;80V;AWG:26;BLACK;5C(RED/ORANGE/BLACK/YELLO W/BROWN)+SPIRAL SHIELD		
44	1.0000	PC	A77-60020-27208		CABLE;STRANDWIRE;LENGTH:600mm;AWG:18;UL:1015; LUG 4mm3/LUG 4mm3;COLOR:YEL/GRN		
45	0.0860	M	A77-00030-75201		RAW WIRE;HOOK-UP;DOUBLE INSULATED;JACKET:PVC;UL1672;CORES:1;300V;105 C;AWG:18;BLACK		
46	0.7330	M	A77-00020-72208		RAW WIRE;HOOK- UP;JACKET:PVC;UL1015;CORES:1;600V;105 C;AWG:18;GREEN/YELLOW		
47	1.0000	PC	A77-07037-79201		CABLE;STRANDWIRE;LENGTH:70mm;ZEE;AWG:18;UL16 72;S/T LENGTH:7mm;COLOR:BLK		
48	0.9310	M	A77-00010-71201		RAW WIRE;JACKET:PVC;UL1007;CORES:1;300V;80 C;AWG:18;BLACK	[X-OVER:00: {0.443}] [X-OVER:00: {0.488}]	

	Quantity	Unit	Item	Rev	Description	Reference Designators	Notes
49	0.3230	M	A77-00010-71207		RAW WIRE;JACKET:PVC;UL1007;CORES:1;300V;80 C;AWG:18;BLUE	[X-OVER:00: {0.323}]	
50	0.4430	M	A77-00010-71204		RAW WIRE;JACKET:PVC;UL1007;CORES:1;300V;80 C;AWG:18;WHITE	[X-OVER:00: {0.443}]	
51	0.8110	M	A77-00010-71205		RAW WIRE;JACKET:PVC;UL1007;CORES:1;300V;80 C;AWG:18;RED	[X-OVER:00: {0.323}] [X-OVER:00: {0.488}]	
52	1.0000	PC	A81-07030-36542		WIRE HARNESS;LENGTH:70mm;AWG:26;P:2mm;SHS;HOUSIN G-BOARD IN CONNECTOR;POLES:3;PIN1 RD/OTHERS BK	[K3000FX:1: {1.0}(X21)]	
53	1.0000	PC	A88-00000-81987		CABLE;SPEAKER;400 MM;AWG:18;UL1007;WHITE;S/T:5MM;WHITE&BLACK AMP terminal:5.2mm	[X-OVER:00: {1.0}]	
54	1.0000	PC	A76-18050-06505		CABLE;AC-CORD;LENGTH:180cm;VERSION:SAA;PLUG:HE105 ISOLATED;SAA H05VV-F 3x0.75mm2;CONN.HP-3;PANYU		(SAA)
55	1.0000	PC	A77-60020-99208		CABLE;STRANDWIRE;LENGTH:600mm;ZEE;AWG:18;UL:1 015;LUG 4mm3/LUG 4mm3;COLOR:YEL/GRN		
56	1.0000	PC	A74-00050-16730		CABLE;FLAT;P2mm54;LENGTH:160mm;AWG:28;FC3;+10 /-0mm;POLES:30	[K3000FX:1: {1.0}(X22)]	
57	1.0000	PC	A81-00000-04041		WIRE HARNESS;AWG:26;UL2547;2 MM;6;COMMON;545 MM;BLACK		
58	1.0000	PC	A77-07037-00201		CABLE;STRANDWIRE;LENGTH:70mm;AWG:18;UL1672;S/ T LENGTH:7mm;COLOR:BLK		

Circuit Protector

	Quantity	Unit	Item	Rev	Description	Reference Designators	Notes
1	1.0000	PC	B22-02512-50001		FUSE;500mA;250V;SLOW BLOW;L-TYPE;5mm x 20mm		(EU, UL, JP, UK, SAA, CCC, BR, AR, HL, SH, RU)
2	1.0000	PC	B22-01516-30001		FUSE;6A3;250V;SLOW BLOW;H-TYPE;5mm x 20mm		(UL, JP, BR, HL, SH)
3	1.0000	PC	B22-01513-31501		FUSE;3A15;250V;SLOW BLOW;H-TYPE;5mm x 20mm		(EU, UK, SAA, CCC, AR, RU)
4	1.0000	PC	B22-01516-30001		FUSE;6A3;250V;SLOW BLOW;H-TYPE;5mm x 20mm		
5	1.0000	PC	B22-02512-50001		FUSE;500mA;250V;SLOW BLOW;L-TYPE;5mm x 20mm		

Coil

	Quantity	Unit	Item	Rev	Description	Reference Designators	Notes
1	2.0000	PC	B39-00000-03394		COIL;SMD;BEAD;SMD0805;(BLM21BD751SN1D)	[K3000FX:1: {2.0}(L1-L2)]	(EU, UL, JP, UK, SAA, CCC, BR, AR, HL, SH, RU)
2	2.0000	PC	B39-00000-03394		COIL;SMD;BEAD;SMD0805;(BLM21BD751SN1D)	[K3000FX:1: {2.0}(L1-L2)]	

Connector

	Quantity	Unit	Item	Rev	Description	Reference Designators	Notes
1	1.0000	PC	B84-30046-39242		CONNECTOR;AMP CONN TERMINAL;MATERIAL:PAPER FIBRE;QUADRUPLE;(BWF38703003-TERMINAL-REVA.DWG)		
2	15.0000	PC	B84-25016-06014		CRIMP TERMINAL;PITCH:2mm0;AWG24-30;A2008TOP-2	[K3000FX:1: {3.0}]	(EU, UL, JP, UK, SAA, CCC, BR, AR, HL, SH, RU)
3	4.0000	PC	B84-30000-06293		JACKET;FOR 205 TERMINAL.;DIA:4mm	[X-OVER:00: {2.0}] [X-OVER:00: {2.0}]	(EU, UL, JP, UK, SAA, CCC, BR, AR, HL, SH, RU)
4	1.0000	PC	B95-01340-03300		CONNECTOR;XLR;SOCKET;FEMALE;STRAIGHT;POLES:3	[P0379:03: {1.0}(X12)]	(EU, UL, JP, UK, SAA, CCC, BR, AR, HL, SH, RU)
5	2.0000	PC	B84-22000-06018		CRIMP TERMINAL;PITCH:3mm96;AWG18-22;A3963TOP-2	[X-OVER:00: {2.0}]	(EU, UL, JP, UK, SAA, CCC, BR, AR, HL, SH, RU)
6	2.0000	PC	B95-01320-03303		CONNECTOR;XLR;SOCKET;MALE;STRAIGHT;POLES:3	[P0379:03: {2.0}(X10-X11)]	(EU, UL, JP, UK, SAA, CCC, BR, AR, HL, SH, RU)
7	4.0000	PC	B84-00000-01620		AMP TERMINAL;BRASS W TIN;7205A-BS-2	[X-OVER:00: {2.0}] [X-OVER:00: {2.0}]	(EU, UL, JP, UK, SAA, CCC, BR, AR, HL, SH, RU)
8	15.0000	PC	B84-25016-06014		CRIMP TERMINAL;PITCH:2mm0;AWG24-30;A2008TOP-2	[K3000FX:1: {3.0}]	
9	4.0000	PC	B84-00000-01620		AMP TERMINAL;BRASS W TIN;7205A-BS-2	[X-OVER:00: {2.0}] [X-OVER:00: {2.0}]	
10	3.0000	PC	B84-42050-00155		CRIMP CONNECTOR;LUG;INNER DIA:4mm3;AWG 14-18;WIRE MOUNT;STRAIGHT		(EU, UL, JP, UK, SAA, CCC, BR, AR, HL, SH, RU)
11	1.0000	PC	B84-39000-33065		CONNECTOR;AWG 14-16;CLOSED ENDED;W/ NYLON66 COVER;APPROVALS:UL-CSA		(EU, UL, UK, SAA, CCC, BR, AR, RU)
12	4.0000	PC	B84-30000-06293		JACKET;FOR 205 TERMINAL.;DIA:4mm	[X-OVER:00: {2.0}] [X-OVER:00: {2.0}]	
13	2.0000	PC	B84-22000-06018		CRIMP TERMINAL;PITCH:3mm96;AWG18-22;A3963TOP-2	[X-OVER:00: {2.0}]	
14	1.0000	PC	B95-01340-03300		CONNECTOR;XLR;SOCKET;FEMALE;STRAIGHT;POLES:3	[P0379:03: {1.0}(X12)]	
15	2.0000	PC	B95-01320-03303		CONNECTOR;XLR;SOCKET;MALE;STRAIGHT;POLES:3	[P0379:03: {2.0}(X10-X11)]	
16	3.0000	PC	B84-42050-00155		CRIMP CONNECTOR;LUG;INNER DIA:4mm3;AWG 14-18;WIRE MOUNT;STRAIGHT		

Diode

	Quantity	Unit	Item	Rev	Description	Reference Designators	Notes
1	4.0000	PC	C12-03300-15043		DIODE;ZD15V0;BZX85C15;DO41	[LPA1180:00: {4.0}(D3-D6)]	(EU, UL, JP, UK, SAA, CCC, BR, AR, HL, SH, RU)
2	4.0000	PC	C11-03014-00700		DIODE;1N4007;DO41	[LPA1180:00: {4.0}(D7-D10)]	(EU, UL, JP, UK, SAA, CCC, BR, AR, HL, SH, RU)
3	2.0000	PC	C12-15700-24053		DIODE;ZENER;24V;5W;1N5359B;CASE 17	[LPA1180:00: {2.0}(D1-D2)]	(EU, UL, JP, UK, SAA, CCC, BR, AR, HL, SH, RU)
4	14.0000	PC	C11-09014-14802		DIODE;LL4148;LL34;TEMIC OR FC	[K3000FX:1: {6.0}(D1-D6)] [LPA1180:00: {8.0}(D15-D22)]	(EU, UL, JP, UK, SAA, CCC, BR, AR, HL, SH, RU)
5	1.0000	PC	C12-14200-09103		DIODE;ZMM09V1;SMD1206	[LPA1180:00: {1.0}(D23)]	(EU, UL, JP, UK, SAA, CCC, BR, AR, HL, SH, RU)
6	4.0000	PC	C11-03014-00700		DIODE;1N4007;DO41	[LPA1180:00: {4.0}(D7-D10)]	
7	2.0000	PC	C12-15700-24053		DIODE;ZENER;24V;5W;1N5359B;CASE 17	[LPA1180:00: {2.0}(D1-D2)]	
8	4.0000	PC	C11-08015-40243		DIODE;1N5402;DO201AD;TEMIC OR FC	[LPA1180:00: {4.0}(D11-D14)]	(EU, UL, JP, UK, SAA, CCC, BR, AR, HL, SH, RU)
9	1.0000	PC	C12-14200-09103		DIODE;ZMM09V1;SMD1206	[LPA1180:00: {1.0}(D23)]	
10	4.0000	PC	C12-03300-15043		DIODE;ZD15V0;BZX85C15;DO41	[LPA1180:00: {4.0}(D3-D6)]	
11	14.0000	PC	C11-09014-14802		DIODE;LL4148;LL34;TEMIC OR FC	[K3000FX:1: {6.0}(D1-D6)] [LPA1180:00: {8.0}(D15-D22)]	
12	4.0000	PC	C11-08015-40243		DIODE;1N5402;DO201AD;TEMIC OR FC	[LPA1180:00: {4.0}(D11-D14)]	

Display

	Quantity	Unit	Item	Rev	Description	Reference Designators	Notes
1	1.0000	PC	C28-27030-37066		DISPLAY;LED;HEIGHT:0in3;PATTERN:8.8.;RD;STRONG BASE:E3-2030AHR3-P10	[K3000FX:1: {1.0}(LD2)]	(EU, UL, JP, UK, SAA, CCC, BR, AR, HL, SH, RU)
2	1.0000	PC	C28-27030-37066		DISPLAY;LED;HEIGHT:0in3;PATTERN:8.8.;RD;STRONG BASE:E3-2030AHR3-P10	[K3000FX:1: {1.0}(LD2)]	

Hardware

	Quantity	Unit	Item	Rev	Description	Reference Designators	Notes
1	140.0000	PC	F80-11025-33087		NAIL;CROWN:2mm2;WIDTH:1mm27;THICKNESS:1mm0; LENGHTH:25mm;18-GAUGE (0.49*0.40) FINISH;GALVANIZED		
2	5.0000	PC	F83-04000-00021		CABLE TIE;NYLON;4in;COLOR:		
3	7.0000	PC	F85-04000-21007		T-NUT;INNER DIA;M4mm;W/PRONG;SURFACE:ZINC/BLACK		
4	6.0000	PC	F85-04000-44001		HEX. NUT;INNER DIA;M4mm;SURFACE:ZINC		
5	10.0000	PC	F85-05000-21007		T-NUT;INNER DIA;M5mm;W/PRONG;SURFACE:ZINC/BLACK		
6	1.0000	PC	F87-00200-03943		PLASTIC;FOAM;P0380;DST.NO:002;DPT.NO:03943;(P038 0-PORT TUBE FOAM-REVB.DWG)		
7	16.0000	PC	F88-00000-06895		SCREW;A;4 MM;16 MM;PAN;ZINC;BLACK;2.84 MM;SC,A4*16mm		
8	2.0000	PC	F88-30060-50277		SCREW;M3mm*6mm;PITCH:0mm5;HEAD:FLAT;INSERT:P HILIPS REC.;SURFACE:BLACK/ZINC		
9	2.0000	PC	F88-30160-30217		SCREW;A3mm*16mm;HEAD:PAN;INSERT:PHILIPS REC.;SURFACE:BLACK/ZINC		
10	9.0000	PC	F88-40100-20291		SCREW;M4mm*10mm;HEAD:BINDING;INSERT:PHILIPS REC.;SURFACE:SILVER/ZINC		
11	4.0000	PC	F88-40110-30297		SCREW;M4mm*11mm;HEAD:PAN;INSERT:PHILIPS REC.;SURFACE:BLACK/ZINC		
12	8.0000	PC	F88-40191-20217		SCREW;A4mm*19mm;HEAD:PAN WASHER;INSERT:PHILLIPS REC.;SURFACE:BLACK/ZINC		
13	3.0000	PC	F88-40200-30297		SCREW;M4mm*20mm;HEAD:PAN;INSERT:PHILIPS REC.;SURFACE:BLACK/ZINC		
14	8.0000	PC	F88-40250-30297		SCREW;M4mm*25mm;HEAD:PAN;INSERT:PHILIPS REC.;SURFACE:BLACK/ZINC		
15	11.0000	PC	F88-40300-60297		SCREW;M4mm*30mm;HEAD:OVAL;INSERT:PHILIPS REC.;SURFACE:BLACK/ZINC		
16	4.0000	PC	F88-50230-30297		SCREW;M5mm*23mm;HEAD:PAN;INSERT:PHILIPS REC.;SURFACE:BLACK/ZINC		
17	6.0000	PC	F88-50250-30297		SCREW;M5mm*25mm;HEAD:PAN;INSERT:PHILIPS REC.;SURFACE:BLACK/ZINC		
18	1.0000	PC	F91-02030-05793		SILICA GEL;MASS;30g;SPEC.NO:30QB-BB2001-4		
19	8.0000	PC	F96-40400-70170		WASHER;EXTERNAL TEETH;INNER DIA:4mm;OUTER DIA:7mm;THICKNESS;1mm7		
20	4.0000	PC	F96-40420-80111		WASHER;OVERLAP EXTERNAL TEETH;MATERIAL:STEEL 0mm5;INNER DIA:4mm2;OUTER DIA:8mm;THICKNESS:1mm1;PLATING:ZINC		
21	11.0000	PC	F96-50551-60267		WASHER;DONUT;INNER DIA:5mm5;OUTER DIA:16mm;THICKNESS;2mm6;PLATING;BLACK/ZINC		

	Quantity	Unit	Item	Rev	Description	Reference Designators	Notes
22	1.0000	PC	F97-00100-07837		STUFFER SHEET;P0380;ARTIFICIAL COTTON;DST.NO:001;DPT.NO:07837;(P0380-MI-STUFFER-REVA.DWG)		
23	3.0000	PC	F97-00100-07959		SHEET;PVC;KFX-SERIES;15mm x 12mm x 1mm5;DST.NO:001;DPT.NO:07959;(K-SERIES_PVCSHEET15X12X1.5-REVA.DWG)		
24	4.0000	PC	F95-04510-01748		INSULATION TUBE;ID:4mm5 x OD:6mm5 x L15mm;ALUMINIUM OXIDE CERAMIC;THICKNESS:1mm;(LANXIN M060413A)		(EU, UL, JP, UK, SAA, BR, AR, HL, SH, RU)
25	8.0000	PC	F88-30060-30291		SCREW;M3mm*6mm;HEAD:PAN;INSERT:PHILIPS REC.;SURFACE:SILVER/ZINC		(EU, UL, JP, UK, SAA, CCC, BR, AR, HL, SH, RU)
26	0.0240	M	F95-04000-01098		SHRINKING TUBE;INNER DIA;4mm;SPEC.NO:01098		(EU, UL, JP, UK, SAA, CCC, BR, AR, HL, SH, RU)
27	1.0000	PC	F89-32000-03521		INSULATION SHEET;GLIMMER;35mm x 34mm;HOLE DIA:2(3mm2);HOLE OFFSET:30mm;THICKNESS:0mm15;(P0742-GLIMMER_SHEET-REVA.DWG)		(EU, UL, JP, UK, SAA, CCC, BR, AR, HL, SH, RU)
28	2.0000	PC	F89-32023-00182		INSULATION SHEET;GLIMMER;18mm x 23mm;NO HOLE;THICKNESS:0mm15		(EU, UL, JP, UK, SAA, CCC, BR, AR, HL, SH, RU)
29	2.0000	G	F84-01800-09286		THERM-GREASE;COLOR:WHT;SPEC.NO:09286		(EU, UL, JP, UK, SAA, CCC, BR, AR, HL, SH, RU)
30	1.0000	PC	F88-40100-30291		SCREW;M4mm*10mm;HEAD:PAN;INSERT:PHILIPS REC.;SURFACE:SILVER/ZINC		(EU, UL, JP, UK, SAA, CCC, BR, AR, HL, SH, RU)
31	7.0000	PC	F88-30080-30247		SCREW;BT3mm*8mm;HEAD:PAN;INSERT:PHILLIPS REC.;SURFACE:BLACK/ZINC		(EU, UL, JP, UK, SAA, CCC, BR, AR, HL, SH, RU)
32	14.0000	PC	F96-10961-30505		WASHER;PLAIN;INNER DIA:9mm6;OUTER DIA:13mm;THICKNESS;0mm5;PLATING:NICKEL		(EU, UL, JP, UK, SAA, CCC, BR, AR, HL, SH, RU)
33	0.0800	M	F95-05200-16898		SHRINKING TUBE;INNER DIA:5mm2;SPEC.NO:16898;		(EU, UL, JP, UK, SAA, CCC, BR, AR, HL, SH, RU)
34	14.0000	PC	F85-09520-44755		HEX. NUT;FOR JACK;M 3/8in;HEXWRENCH:11mm;THICKNESS:2mm;SURFACE:NICKEL/SLV		(EU, UL, JP, UK, SAA, CCC, BR, AR, HL, SH, RU)
35	1.1200	G	F84-03000-01090		SCREWLOCK;SPEC.NO:01090		(EU, UL, JP, UK, SAA, CCC, BR, AR, HL, SH, RU)
36	0.0500	M	F95-01000-43217		SHRINKING TUBE;INNER DIA;1mm;SPEC.NO:43217		(EU, UL, JP, UK, SAA, CCC, BR, AR, HL, SH, RU)

	Quantity	Unit	Item	Rev	Description	Reference Designators	Notes
37	2.0000	PC	F88-30060-30297		SCREW;M3mm*6mm;HEAD:PAN;INSERT:PHILLIPS REC.;SURFACE:BLACK/ZINC		(EU, UL, JP, UK, SAA, CCC, BR, AR, HL, SH, RU)
38	8.0000	PC	F96-10401-00105		WASHER;PLAIN;INNER DIA:4mm;OUTER DIA:10mm;THICKNESS;1mm;PLATING;NICKEL		(EU, UL, JP, UK, SAA, CCC, BR, AR, HL, SH, RU)
39	7.0000	PC	F88-30080-30247		SCREW;BT3mm*8mm;HEAD:PAN;INSERT:PHILLIPS REC.;SURFACE:BLACK/ZINC		
40	4.0000	PC	F88-30081-20291		SCREW;M03mm*08mm;HEAD:PAN SPRING WASHER;INSERT:PHILIPS REC.;SURFACE:SILVER/ZINC		(EU, UL, JP, UK, SAA, CCC, BR, AR, HL, SH, RU)
41	1.0000	PC	F96-00000-00836		WASHER;9.7 MM;16 MM;NICKEL;WHITE;WASHER;FLAT;DIM:9.7*16*0.5mm;NIC		(EU, UL, JP, UK, SAA, CCC, BR, AR, HL, SH, RU)
42	2.0000	PC	F89-32023-00182		INSULATION SHEET;GLIMMER;18mm x 23mm;NO HOLE;THICKNESS:0mm15		
43	4.0000	PC	F95-04510-01748		INSULATION TUBE;ID:4mm5 x OD:6mm5 x L15mm;ALUMINIUM OXIDE CERAMIC;THICKNESS:1mm;(LANXIN M060413A)		
44	8.0000	PC	F88-30060-30291		SCREW;M3mm*6mm;HEAD:PAN;INSERT:PHILIPS REC.;SURFACE:SILVER/ZINC		
45	2.0000	G	F84-01800-09286		THERM-GREASE;COLOR:WHT;SPEC.NO:09286		
46	1.0000	PC	F85-09535-45795		OCT. NUT;FOR JACK;3/8in;OCTWRENCH:14.5mm;THICKNESS:3.5mm;SURFACE:NICKEL/SILVER		(EU, UL, JP, UK, SAA, CCC, BR, AR, HL, SH, RU)
47	1.0000	PC	F89-32000-03521		INSULATION SHEET;GLIMMER;35mm x 34mm;HOLE DIA:2(3mm2);HOLE OFFSET:30mm;THICKNESS:0mm15;(P0742-GLIMMER_SHEET-REVA.DWG)		
48	0.0240	M	F95-04000-01098		SHRINKING TUBE;INNER DIA;4mm;SPEC.NO:01098		
49	1.1200	G	F84-03000-01090		SCREWLOCK;SPEC.NO:01090		
50	14.0000	PC	F96-10961-30505		WASHER;PLAIN;INNER DIA:9mm6;OUTER DIA:13mm;THICKNESS;0mm5;PLATING:NICKEL		
51	8.0000	PC	F96-10401-00105		WASHER;PLAIN;INNER DIA:4mm;OUTER DIA:10mm;THICKNESS;1mm;PLATING;NICKEL		
52	0.0800	M	F95-05200-16898		SHRINKING TUBE;INNER DIA:5mm2;SPEC.NO:16898;		
53	14.0000	PC	F85-09520-44755		HEX. NUT;FOR JACK;M 3/8in;HEXWRENCH:1.1mm;THICKNESS:2mm;SURFACE:NICKEL/SLV		
54	0.0440	M	F95-06000-01099		SHRINKING TUBE;INNER DIA;6mm;SPEC.NO:01099	[LPA1180:00: {0.044}]	(EU, UL, JP, UK, SAA, CCC, BR, AR, HL, SH, RU)
55	2.0000	PC	F88-30060-30297		SCREW;M3mm*6mm;HEAD:PAN;INSERT:PHILLIPS REC.;SURFACE:BLACK/ZINC		

	Quantity	Unit	Item	Rev	Description	Reference Designators	Notes
56	1.0000	PC	F85-09535-45795		OCT. NUT;FOR JACK;3/8in;OCTWRENCH:14.5mm;THICKNESS:3.5mm;SURFACE:NICKEL/SILVER		
57	0.0500	M	F95-01000-43217		SHRINKING TUBE;INNER DIA;1mm;SPEC.NO:43217		
58	1.0000	PC	F96-00000-00836		WASHER;9.7 MM;16 MM;NICKEL;WHITE;WASHER;FLAT;DIM:9.7*16*0.5mm;NIC		
59	0.0440	M	F95-06000-01099		SHRINKING TUBE;INNER DIA;6mm;SPEC.NO:01099	[LPA1180:00: {0.044}]	
60	1.0000	PC	F88-40100-30291		SCREW;M4mm*10mm;HEAD:PAN;INSERT:PHILIPS REC.;SURFACE:SILVER/ZINC		
61	4.0000	PC	F88-30081-20291		SCREW;M03mm*08mm;HEAD:PAN SPRING WASHER;INSERT:PHILIPS REC.;SURFACE:SILVER/ZINC		

Ic

	Quantity	Unit	Item	Rev	Description	Reference Designators	Notes
1	1.0000	PC	C77-15207-03015		IC;VOLT.REGULATOR;BRAND:ST MICROELECTRONICS;L7915;TO220	[LPA1180:00: {1.0}(IC3)]	(EU, UL, JP, UK, SAA, CCC, BR, AR, HL, SH, RU)
2	1.0000	PC	D12-00100-02217		IC;DIG COMM.;EUROTEC;V1000;SOIC	[K3000FX:1: {1.0}(IC8)]	(EU, UL, JP, UK, SAA, CCC, BR, AR, HL, SH, RU)
3	1.0000	PC	C60-54422-00528		IC;AD/DA;CS4220;SOP	[K3000FX:1: {1.0}]	(EU, UL, JP, UK, SAA, CCC, BR, AR, HL, SH, RU)
4	1.0000	PC	C73-59458-00408		IC;OPAMP OPAMP;NJM4580L;SIP	[K3000FX:1: {1.0}(IC1)]	(EU, UL, JP, UK, SAA, CCC, BR, AR, HL, SH, RU)
5	1.0000	PC	C77-05107-03010		IC;VOLT.REGULATOR;7805;TO220	[LPA1180:00: {1.0}(IC1)]	(EU, UL, JP, UK, SAA, CCC, BR, AR, HL, SH, RU)
6	14.0000	PC	C73-00000-29050		IC;OPAMP;SMD;SOP;8;BA4580RF	[K3000FX:1: {1.0}(IC2, IC4, IC9-IC10, IC12-IC13, IC15-IC19)] [P0379:03: {2.0}(IC20-IC21)] [LPA1180:00: {1.0}(IC4)]	(EU, UL, JP, UK, SAA, CCC, BR, AR, HL, SH, RU)
7	1.0000	PC	C77-15107-03110		IC;VOLT.REGULATOR;7815F;FULLPACK;TO220	[LPA1180:00: {1.0}(IC2)]	(EU, UL, JP, UK, SAA, CCC, BR, AR, HL, SH, RU)
8	1.0000	PC	C60-22422-00528		IC;AD/DA;V4220M;SSOP	[K3000FX:1: {1.0}(IC11)]	(EU, UL, JP, UK, SAA, CCC, BR, AR, HL, SH, RU)
9	4.0000	PC	C73-31007-40514		IC;OPAMP OPAMP;TL074;SOP;BRAND:ST ONLY	[K3000FX:1: {4.0}(IC3, IC5-IC7)]	(EU, UL, JP, UK, SAA, CCC, BR, AR, HL, SH, RU)
10	1.0000	PC	D24-18081-61832		IC;MICROCONTROLLER;ATMEGA8A-AU;SMD;TQFP32	[K3000FX:1: {1.0}(IC14)]	(EU, UL, JP, UK, SAA, CCC, BR, AR, HL, SH, RU)
11	11.0000	PC	C73-59458-00508		IC;OPAMP OPAMP;NJM4580;SOP	[K3000FX:1: {11.0}]	(EU, UL, JP, UK, SAA, CCC, BR, AR, HL, SH, RU)
12	1.0000	PC	D24-18081-61832		IC;MICROCONTROLLER;ATMEGA8A-AU;SMD;TQFP32	[K3000FX:1: {1.0}(IC14)]	
13	14.0000	PC	C73-00000-29050		IC;OPAMP;SMD;SOP;8;BA4580RF	[K3000FX:1: {11.0}(IC2, IC4, IC9-IC10, IC12-IC13, IC15-IC19)] [P0379:03: {2.0}(IC20-IC21)] [LPA1180:00: {1.0}(IC4)]	
14	1.0000	PC	C77-15107-03110		IC;VOLT.REGULATOR;7815F;FULLPACK;TO220	[LPA1180:00: {1.0}(IC2)]	
15	1.0000	PC	C77-15207-03015		IC;VOLT.REGULATOR;BRAND:ST MICROELECTRONICS;L7915;TO220	[LPA1180:00: {1.0}(IC3)]	

	Quantity	Unit	Item	Rev	Description	Reference Designators	Notes
16	1.0000	PC	C77-05107-03010		IC;VOLT.REGULATOR;7805;TO220	[LPA1180:00: {1.0}{IC1}]	
17	1.0000	PC	C60-22422-00528		IC;AD/DA;V4220M;SSOP	[K3000FX:1: {1.0}{IC11}]	
18	4.0000	PC	C73-31007-40514		IC;OPAMP OPAMP;TL074;SOP;BRAND:ST ONLY	[K3000FX:1: {4.0}{IC3, IC5-IC7}]	
19	1.0000	PC	C60-54422-00528		IC;AD/DA;CS4220;SOP	[K3000FX:1: {1.0}]	
20	11.0000	PC	C73-59458-00508		IC;OPAMP OPAMP;NJM4580;SOP	[K3000FX:1: {11.0}]	
21	1.0000	PC	C73-59458-00408		IC;OPAMP OPAMP;NJM4580L;SIP	[K3000FX:1: {1.0}{IC1}]	
22	1.0000	PC	D12-00100-02217		IC;DIG COMM.;EUROTEC;V1000;SOIC	[K3000FX:1: {1.0}{IC8}]	

Led

	Quantity	Unit	Item	Rev	Description	Reference Designators	Notes
1	1.0000	PC	E10-33565-00578		LED HIB;2mm x 5mm;GREEN	[K3000FX:1: {1.0}{LD3}]	(EU, UL, JP, UK, SAA, CCC, BR, AR, HL, SH, RU)
2	1.0000	PC	E12-37630-00579		LED;2mm x 5mm;RD	[K3000FX:1: {1.0}{LD1}]	(EU, UL, JP, UK, SAA, CCC, BR, AR, HL, SH, RU)
3	1.0000	PC	E10-57630-05113		LED HIB;3mm ROUND;RED	[LPA1180:00: {1.0}]	(EU, UL, JP, UK, SAA, CCC, BR, AR, HL, SH, RU)
4	1.0000	PC	E12-37630-00579		LED;2mm x 5mm;RD	[K3000FX:1: {1.0}{LD1}]	
5	1.0000	PC	E10-33565-00578		LED HIB;2mm x 5mm;GREEN	[K3000FX:1: {1.0}{LD3}]	
6	1.0000	PC	E10-57630-05113		LED HIB;3mm ROUND;RED	[LPA1180:00: {1.0}]	

Manual

	Quantity	Unit	Item	Rev	Description	Reference Designators	Notes
1	1.0000	PC	A51-00000-66448		INSTRUCTION SHEET;P0ALP;YY;REV:001		
2	1.0000	PC	A56-00000-69282		SERVICE INFORMATION SHEET;P0000;EN;REV:003		
3	1.0000	PC	A54-00000-46286		QUICK START GUIDE;P0382;JA;REV:001		(JP, HL, SH)
4	1.0000	PC	A54-00000-46282		QUICK START GUIDE;P0382;WW;REV:001		(EU, UL, UK, SAA, BR, AR, RU)
5	1.0000	PC	A54-00000-46284		QUICK START GUIDE;P0382;ZH;REV:001		(CCC)
6	1.0000	PC	A52-00000-40142		WARRANTY CARD;P0000;JA;DATE:01.07.2011;REVD		(JP, HL, SH)
7	1.0000	PC	A52-00000-42338		WARRANTY CARD;P0000;EN;REV:001		(AR)

Metal Part

	Quantity	Unit	Item	Rev	Description	Reference Designators	Notes
1	1.0000	PC	A60-00100-05109		METAL;TOP PLATE;75x26.8x4H;DST.NO:001;DPT.NO:05109;(LS-TP75S02A-REVA.DWG)		
2	1.0000	PC	A62-00200-03399		METAL;FRAME;12 black 1.0mm steel;DST.NO:002;DPT.NO:03399;(LS-FR308S02B-REVB.DWG)		
3	1.0000	PC	A65-00000-49724		METAL;P0380;SECC 1.2mm;GRILL;STAMPING;SPRAYING;BLACK;REV:E		
4	0.0800	G	A65-00100-03043		METAL;FOIL;KAPTON;WIDTH:80 mm;THICKNESS:0.08 mm		
5	1.0000	PC	A65-00100-03328		METAL;LEFT TOP CORNER;P0381;DST.NO:001;DPT.NO:03328;(P0381-CORNER LTF-REVA.DWG)		
6	1.0000	PC	A65-00100-03329		METAL;RIGHT TOP CORNER;P0381;DST.NO:001;DPT.NO:03329;(P0381-CORNER RTF-REVA.DWG)		
7	1.0000	PC	A65-00100-03397		METAL;T YOKE;F108*6H-F49.8*27.5H;DST.NO:001;DPT.NO:03397;(LS-TY108S02A-REVA.DWG)		
8	1.0000	PC	A65-00100-03403		METAL;MESH;P0201;STAINLESS STEEL 0.2 mm;DIAMETER:25 mm;DST.NO:001;DPT.NO:03403;(LS-ME25S0_2A-REVA.DWG)		
9	1.0000	PC	A65-00100-05107		METAL;T-YOKE;75x5H-24.95x16H;DST.NO:001;DPT.NO:05107;(LS-TY75S02A-REVA.DWG)		
10	1.0000	PC	A65-00100-08641		METAL;TOP PLATE;ROUGHCAST;TPR108S01B;DST.NO:001;DPT.NO:08641;(LS-TPR108S01B-REVA.DWG)		
11	1.0000	PC	A65-00100-08649		METAL;TOP PLATE;TP108S02E;F108*F53.55*6H F90-6*M5;PLATING WEIGHT:314G;DST.NO:001;DPT.NO:08649;(LS-TP108S02E-REVA.DWG)		
12	1.0000	PC	A65-00100-12309		METAL;TOP PLATE DISCUS;TPD108S01A;DIA:108xDIA:52.2x6H;DST.NO:001;DPT.NO:12309;(LS-TPD108S01AR-REVA.DWG)		
13	1.0000	PC	A65-00200-01677		METAL;BELT;GX-SERIES;DST.NO:002;DPT.NO:01677;(R14-MET-BELT-REVB.DWG)		
14	6.0000	PC	A65-02000-04400		METAL;CORNER;GX112;DWG.NO:04400;(R20-GX112-CORNER-REVB.DWG)		
15	2.0000	PC	A65-04700-04125		METAL;HANDLE FIXATION;BG-SERIES;(STAINLESS) STEEL;DWG.NO:04125;(R14-MET_H-COVER-REVA.DWG)		
16	2.0000	PC	A65-15000-04134		METAL;SPACER;LENGTH:4mm4;HOLE DIA:3mm5;DWG.NO:04134;(R14-FS112-SPACER-REVA.DWG)		

	Quantity	Unit	Item	Rev	Description	Reference Designators	Notes
17	1.0000	PC	A62-00500-05891		METAL;AMP-CABINET;BXL1800A;DST.NO:005;DPT.NO:05891;(BXL1800A-P_AMP-CABINET-REVE.DWG)		(EU, UL, JP, UK, SAA, CCC, BR, AR, HL, SH, RU)
18	1.0000	PC	J00-00000-67082		METAL;P0380;SECC 1.2mm;PANEL;STAMPING;SPRAYING;SILVER;G005		(EU, UL, JP, UK, SAA, CCC, BR, AR, HL, SH, RU)
19	1.0000	PC	A63-00300-05130		METAL;HEATSINK;P0366;ALU;EXTRUSION;DST.NO:003;DPT.NO:0513;(BXL1800A-HEAT_SINK-REVC.DWG)		(EU, UL, JP, UK, SAA, CCC, BR, AR, HL, SH, RU)
20	2.0000	PC	A65-00300-04932		METAL CLIP;IC RETAINER 04;TO220;DST.NO:003;DPT.NO:04932;(BXL450A-RETAINER_SPRING-TO220-REVC.DWG)		(EU, UL, JP, UK, SAA, CCC, BR, AR, HL, SH, RU)
21	1.0000	PC	J00-00000-67082		METAL;P0380;SECC 1.2mm;PANEL;STAMPING;SPRAYING;SILVER;G005		
22	1.0000	PC	A65-00300-13213		METAL CLIP;IC RETAINER 04;LM3886;DST.NO:003;DPT.NO:13213;(GMX212-RETAINER SPRING-REVC.DWG)		(EU, UL, JP, UK, SAA, CCC, BR, AR, HL, SH, RU)
23	1.0000	PC	A63-00300-05130		METAL;HEATSINK;P0366;ALU;EXTRUSION;DST.NO:003;DPT.NO:0513;(BXL1800A-HEAT_SINK-REVC.DWG)		
24	1.0000	PC	A65-00300-13213		METAL CLIP;IC RETAINER 04;LM3886;DST.NO:003;DPT.NO:13213;(GMX212-RETAINER SPRING-REVC.DWG)		
25	2.0000	PC	A65-00300-04932		METAL CLIP;IC RETAINER 04;TO220;DST.NO:003;DPT.NO:04932;(BXL450A-RETAINER_SPRING-TO220-REVC.DWG)		
26	1.0000	PC	A62-00500-05891		METAL;AMP-CABINET;BXL1800A;DST.NO:005;DPT.NO:05891;(BXL1800A-P_AMP-CABINET-REVE.DWG)		

Packaging Part

	Quantity	Unit	Item	Rev	Description	Reference Designators	Notes
1	2.0000	PC	G25-00200-07312		POLYFOAM;BOTTOM;P0380;DST.NO:002;DPT.NO:07312 ;(P0380-POLYFOAM_BOTTOM-REVB.DWG)		
2	1.0000	PC	G25-00300-07310		POLYFOAM;TOP LEFT;P0380;DST.NO:003;DPT.NO:07310;(P0380- POLYFOAM TOP LEFT-REVC.DWG)		
3	1.0000	PC	G25-00300-07311		POLYFOAM;TOP RIGHT;P0380;DST.NO:003;DPT.NO:07311;(P0380- POLYFOAM TOP RIGHT-REVC.DWG)		
4	1.0000	PC	G28-20090-14010		PE BAG;SIZE:9in*14in;W/WARNING		
5	1.0000	PC	G28-62051-20516		PE BAG;SIZE:20in5+12in*32in5;06 PE;W/WARNING		
6	1.0000	PC	I40-00000-34039		MASTER CARTON;P0380;C005		
7	1.0000	PC	G32-00000-03966		SHIPPING CARTON;P0000;V1000;SOP16(W) PACKAGE;FINISH-CHIP TEST	[K3000FX:1: {1.0}]	(EU, UL, JP, UK, SAA, CCC, BR, AR, HL, SH, RU)
8	1.0000	PC	G32-00000-03966		SHIPPING CARTON;P0000;V1000;SOP16(W) PACKAGE;FINISH-CHIP TEST	[K3000FX:1: {1.0}]	

Plastic Part

	Quantity	Unit	Item	Rev	Description	Reference Designators	Notes
1	4.0000	PC	G51-00300-06264		RUBBER FOOT;ROUND;BIG;DWG.NO:06264;(R14-RUBFOOT_WASHER-REVA.DWG)		
2	1.0000	PC	G58-00100-02166		GASKET;SPEAKER;5INCH;DST.NO:001;DPT.NO:02166;(SPEAKER-GASKET-H08-REVA.DWG)		
3	920.0000	MM	G58-00100-03986		GASKET;SPEAKER;RGA10EVA1_5A;10in;MATERIAL:EVA;BLACK;WIDTH:10mm;HEIGHT:1mm5;DST.NO:001;DPT.NO:03986;(LS-RGA10EVA1_5A-REVA.DWG)		
4	1.0000	PC	G58-00100-05110		PLASTIC;TWEETER HORN COVER;25T20A8;DST.NO:001;DPT.NO:05110;(PLA-TWEETER COVER HORN-REVA.DWG)		
5	1.0000	PC	G58-00100-05111		PLASTIC;TWEETER BRACKET;25T20A8;DST.NO:001;DPT.NO:05111;(LS-TWEETER BRACKET-REVA.DWG)		
6	1.0000	PC	G58-00200-01081		PLASTIC;HANDLE;P0357;PVC;EXTRUSION;BLACK;DST.NO:002;DPT.NO:01081;(R14-PLA-BELT-REVB.DWG)		
7	2.0000	PC	G58-00300-04665		PLASTIC;PORT TUBE;P0382;DST.NO:003;DPT.NO:04665;(P0382-PORT TUBE-REVC.DWG)		
8	1.0000	PC	G58-00500-05103		PLASTIC;HORN;ABS;MOULDING;GLOSSY;SPRAYING;SILVER;GRAY, BRIGHT;KFX-SERIES;DST.NO:005;DPT.NO:05103;(HORN08-REVE.DWG)		
9	2.0000	PC	I68-00000-40599		PLASTIC;P0000;HANDLECOVER;B001		
10	1.0000	PC	I68-00000-45508		PLASTIC;P0000;SILVER CHROME;BEHLOGO12;BKSR;68.38mm;A002		
11	1.0000	PC	G52-00200-00255		ENCODER KNOB;COLOR:432U;DST.NO:002;DPT.NO:00255;(PMX-ENCODERKNOB-REVB.DWG)		(EU, UL, JP, UK, SAA, CCC, BR, AR, HL, SH, RU)
12	1.0000	PC	G58-00000-14199		PLASTIC;P0A2E;HOUSING;BLACK;LD-OPT01;DIM:8*10mm;LDOPT01HOUSING-REVE	[LPA1180:00: {1.0}]	(EU, UL, JP, UK, SAA, CCC, BR, AR, HL, SH, RU)
13	7.0000	PC	G52-00200-08623		KNOB;FADER;FAD30MMKNOB 1;BLACK;DST.NO:002;DPT.NO:08623;(FADERKNOBBLK1-REVB.DWG)		(EU, UL, JP, UK, SAA, CCC, BR, AR, HL, SH, RU)
14	1.0000	PC	G53-14000-01976		PLASTIC;SPACER;ABS;BLACK;LENGTH:14MM2;(SWITCHSPACER14_2MM.DWG)		(EU, UL, JP, UK, SAA, CCC, BR, AR, HL, SH, RU)
15	6.0000	PC	G52-00200-00261		KNOB;POT;(12);430U;CAP:WHITE;DST.NO:002;DPT.NO:00261;(PMX-POTKNOB(12)IN-REVB.DWG)		(EU, UL, JP, UK, SAA, CCC, BR, AR, HL, SH, RU)
16	1.0000	PC	G53-14000-01976		PLASTIC;SPACER;ABS;BLACK;LENGTH:14MM2;(SWITCHSPACER14_2MM.DWG)		

	Quantity	Unit	Item	Rev	Description	Reference Designators	Notes
17	5.0000	PC	G52-00200-00256		KNOB;POT;(10);430U;CAP:221U;DST.NO:002;DPT.NO:00256;(PMX-POTKNOB(10)IN-REVB.DWG)		(EU, UL, JP, UK, SAA, CCC, BR, AR, HL, SH, RU)
18	1.0000	PC	G58-00300-14053		PLASTIC;LED HOLDER;UB1002_1202FX;DST.NO:003;DPT.NO:14053;(UB1002FX-7SEGMENT_LED_HOLDER-REVC.DWG)	[K3000FX:1: {1.0}]	(EU, UL, JP, UK, SAA, CCC, BR, AR, HL, SH, RU)
19	5.0000	PC	G52-00500-09353		KNOB;SWITCH;UB-S;DST.NO:005;DPT.NO:09353;(UB-S_SWKNOB-REVE.DWG)		(EU, UL, JP, UK, SAA, CCC, BR, AR, HL, SH, RU)
20	1.0000	PC	I64-00100-03907		PLASTIC;LED WINDOW;P0381;ACRYL;MATERIAL:PMMA;PRINTED;FST.NO:001;DPT.NO:03907;(P0381-PLA LED WINDOW-REVB.DWG)		(EU, UL, JP, UK, SAA, CCC, BR, AR, HL, SH, RU)
21	1.0000	PC	G58-00000-14199		PLASTIC;P0A2E;HOUSING;BLACK;LD-OPT01;DIM:8*10mm;LDOPT01HOUSING-REVE	[LPA1180:00: {1.0}]	
22	6.0000	PC	G52-00200-00261		KNOB;POT;(12);430U;CAP:WHITE;DST.NO:002;DPT.NO:00261;(PMX-POTKNOB(12)IN-REVB.DWG)		
23	7.0000	PC	G52-00200-08623		KNOB;FADER;FAD30MMKNOB 1;BLACK;DST.NO:002;DPT.NO:08623;(FADERKNOBBLK1-REVB.DWG)		
24	5.0000	PC	G52-00200-00256		KNOB;POT;(10);430U;CAP:221U;DST.NO:002;DPT.NO:00256;(PMX-POTKNOB(10)IN-REVB.DWG)		
25	1.0000	PC	I64-00100-03907		PLASTIC;LED WINDOW;P0381;ACRYL;MATERIAL:PMMA;PRINTED;FST.NO:001;DPT.NO:03907;(P0381-PLA LED WINDOW-REVB.DWG)		
26	1.0000	PC	G58-00300-14053		PLASTIC;LED HOLDER;UB1002_1202FX;DST.NO:003;DPT.NO:14053;(UB1002FX-7SEGMENT_LED_HOLDER-REVC.DWG)	[K3000FX:1: {1.0}]	
27	5.0000	PC	G52-00500-09353		KNOB;SWITCH;UB-S;DST.NO:005;DPT.NO:09353;(UB-S_SWKNOB-REVE.DWG)		
28	1.0000	PC	G52-00200-00255		ENCODER KNOB;COLOR:432U;DST.NO:002;DPT.NO:00255;(PMX-ENCODERKNOB-REVB.DWG)		

Plug Socket

	Quantity	Unit	Item	Rev	Description	Reference Designators	Notes
1	1.0000	PC	G71-27102-04759		WAFER;POLES:2;STRAIGHT;PITCH:3.96 mm;1 ROW;JS1120-02	[LPA1180:00: {1.0}(X5)]	(EU, UL, JP, UK, SAA, CCC, BR, AR, HL, SH, RU)
2	1.0000	PC	G68-14002-00197		SOCKET;RCA;(CHUNCHENG RCA-221H-01);FEMALE;POLES:2;PLATING:CU/SN;STRAIGHT;SEPARATE GROUNDS;TIPS:WHITE+RED	[P0379:03: {1.0}(X13)]	(EU, UL, JP, UK, SAA, CCC, BR, AR, HL, SH, RU)
3	1.0000	PC	G61-85230-08163		TRANSITION PLUG;FLAT CABLE;POLES:30;ROWS:2;STRAIGHT;PITCH:2mm54;BLACK;FD-30P	[K3000FX:1: {1.0}]	(EU, UL, JP, UK, SAA, CCC, BR, AR, HL, SH, RU)
4	1.0000	PC	G71-27105-04761		WAFER;POLES:5;STRAIGHT;PITCH:3.96 mm;1 ROW;JS1120-05	[LPA1180:00: {1.0}(X2)]	(EU, UL, JP, UK, SAA, CCC, BR, AR, HL, SH, RU)
5	1.0000	PC	G71-00000-03961		WAFER;V1000-14B,0.35um;LOGIC-3.3V(1P4M)	[K3000FX:1: {1.0}]	(EU, UL, JP, UK, SAA, CCC, BR, AR, HL, SH, RU)
6	3.0000	PC	G71-80000-05663		BD.-IN-CONN;TERMINAL;SAN-002T-0.8A	[K3000FX:1: {3.0}]	(EU, UL, JP, UK, SAA, CCC, BR, AR, HL, SH, RU)
7	1.0000	PC	G71-00000-03961		WAFER;V1000-14B,0.35um;LOGIC-3.3V(1P4M)	[K3000FX:1: {1.0}]	
8	1.0000	PC	G71-23102-04756		WAFER;POLES:2;STRAIGHT;PITCH:2 mm;1 ROW;TYPE:A2006WV-2P	[LPA1180:00: {1.0}(X3)]	(EU, UL, JP, UK, SAA, CCC, BR, AR, HL, SH, RU)
9	1.0000	PC	G67-20103-01396		PLUG;AC SOCK;W FUSE;COLOR:BLK;POLES:03;(RONG-FENG RF-2004-C-4.8)		(RU)
10	1.0000	PC	G71-43103-05995		PLUG;HOUSING;POLES:3;ROWS:1;STRAIGHT;PITCH:2mm ;TYP:A2008	[K3000FX:1: {1.0}]	(EU, UL, JP, UK, SAA, CCC, BR, AR, HL, SH, RU)
11	2.0000	PC	G71-43106-05998		PLUG;HOUSING;POLES:6;ROWS:1;STRAIGHT;PITCH:2mm ;TYP:A2008		(EU, UL, JP, UK, SAA, CCC, BR, AR, HL, SH, RU)
12	1.0000	PC	G61-65230-03295		BOX HEADER;POLES:30;2 ROW;STRAIGHT;PITCH:2mm54;SCM-30S	[P0379:03: {1.0}(X24)]	(EU, UL, JP, UK, SAA, CCC, BR, AR, HL, SH, RU)
13	15.0000	PC	G64-01211-03174		PLUG;JACK STEREO 6mm3;STRAIGHT SOLDER;W/O MET.RNG.;MET.BUSH.;NO NUT/WASHER;(JY-6351G-02-250)	[K3000FX:2: {1.0}(X1)] [P0379:03: {14.0}(X3-X9, X14-X20)]	(EU, UL, JP, UK, SAA, CCC, BR, AR, HL, SH, RU)
14	2.0000	PC	G71-23106-04965		WAFER;POLES:6;STRAIGHT;PITCH:2 mm;1 ROW;TYPE:A2006WV-6P	[K3000FX:1: {1.0}(X23)] [LPA1180:00: {1.0}(X4)]	(EU, UL, JP, UK, SAA, CCC, BR, AR, HL, SH, RU)
15	1.0000	PC	G71-15102-50445		PIN HEADER;POLES:2;STRAIGHT;PITCH:2.54 mm;1 ROW;1001-02-S	[LPA1180:00: {1.0}(X1)]	(EU, UL, JP, UK, SAA, CCC, BR, AR, HL, SH, RU)
16	1.0000	PC	G61-75230-05322		CABLE HEADER;POLES:30;2 ROW;IDE;STRAIGHT;PITCH:2mm54;FC-30P	[K3000FX:1: {1.0}]	(EU, UL, JP, UK, SAA, CCC, BR, AR, HL, SH, RU)

	Quantity	Unit	Item	Rev	Description	Reference Designators	Notes
17	1.0000	PC	G71-83103-05643		BOARD-IN-CONNECTOR;POLES:3;ROWS:1;STRAIGHT;PITCH:2 mm	[K3000FX:1: {1.0}]	(EU, UL, JP, UK, SAA, CCC, BR, AR, HL, SH, RU)
18	1.0000	PC	G71-47102-05844		PLUG;HOUSING;A3963H02;PITCH:3mm96;POLES:2;ROWS:1;UL94-V0;STRAIGHT	[X-OVER:00: {1.0}]	(EU, UL, JP, UK, SAA, CCC, BR, AR, HL, SH, RU)
19	1.0000	PC	G71-23103-04757		WAFER;POLES:3;STRAIGHT;PITCH:2 mm;1 ROW;TYPE:A2006WV-3P	[K3000FX:2: {1.0}(X2)]	(EU, UL, JP, UK, SAA, CCC, BR, AR, HL, SH, RU)
20	1.0000	PC	G61-85230-08163		TRANSITION PLUG;FLAT CABLE;POLES:30;ROWS:2;STRAIGHT;PITCH:2mm54;BLACK;FD-30P	[K3000FX:1: {1.0}]	
21	1.0000	PC	G68-14002-00197		SOCKET;RCA;(CHUNCHENG RCA-221H-01);FEMALE;POLES:2;PLATING:CU/SN;STRAIGHT;SEPARATE GROUNDS;TIPS:WHITE+RED	[P0379:03: {1.0}(X13)]	
22	1.0000	PC	G71-23102-04756		WAFER;POLES:2;STRAIGHT;PITCH:2 mm;1 ROW;TYPE:A2006WV-2P	[LPA1180:00: {1.0}(X3)]	
23	1.0000	PC	G67-20103-01421		PLUG;AC SOCK;W FUSE;COLOR:BLK;POLES:03;(JACKSON JR-101-1F)		(EU, UL, JP, UK, SAA, CCC, BR, AR, HL, SH, RU)
24	1.0000	PC	G71-43103-05995		PLUG;HOUSING;POLES:3;ROWS:1;STRAIGHT;PITCH:2mm;TYP:A2008	[K3000FX:1: {1.0}]	
25	3.0000	PC	G71-80000-05663		BD.-IN-CONN;TERMINAL;SAN-002T-0.8A	[K3000FX:1: {3.0}]	
26	1.0000	PC	G67-20103-01421		PLUG;AC SOCK;W FUSE;COLOR:BLK;POLES:03;(JACKSON JR-101-1F)		
27	15.0000	PC	G64-01211-03174		PLUG;JACK STEREO 6mm3;STRAIGHT SOLDER;W/O MET.RNG.;MET.BUSH.;NO NUT/WASHER;(JY-6351G-02-250)	[K3000FX:2: {1.0}(X1)] [P0379:03: {14.0}(X3-X9, X14-X20)]	
28	1.0000	PC	G61-65230-03295		BOX HEADER;POLES:30;2 ROW;STRAIGHT;PITCH:2mm54;SCM-30S	[P0379:03: {1.0}(X24)]	
29	2.0000	PC	G71-23106-04965		WAFER;POLES:6;STRAIGHT;PITCH:2 mm;1 ROW;TYPE:A2006WV-6P	[K3000FX:1: {1.0}(X23)] [LPA1180:00: {1.0}(X4)]	
30	1.0000	PC	G71-27105-04761		WAFER;POLES:5;STRAIGHT;PITCH:3.96 mm;1 ROW;JS1120-05	[LPA1180:00: {1.0}(X2)]	
31	1.0000	PC	G71-15102-50445		PIN HEADER;POLES:2;STRAIGHT;PITCH:2.54 mm;1 ROW;1001-02-S	[LPA1180:00: {1.0}(X1)]	
32	1.0000	PC	G61-75230-05322		CABLE HEADER;POLES:30;2 ROW;IDE;STRAIGHT;PITCH:2mm54;FC-30P	[K3000FX:1: {1.0}]	
33	1.0000	PC	G71-23103-04757		WAFER;POLES:3;STRAIGHT;PITCH:2 mm;1 ROW;TYPE:A2006WV-3P	[K3000FX:2: {1.0}(X2)]	
34	1.0000	PC	G71-83103-05643		BOARD-IN-CONNECTOR;POLES:3;ROWS:1;STRAIGHT;PITCH:2 mm	[K3000FX:1: {1.0}]	
35	2.0000	PC	G71-43106-05998		PLUG;HOUSING;POLES:6;ROWS:1;STRAIGHT;PITCH:2mm;TYP:A2008		

	Quantity	Unit	Item	Rev	Description	Reference Designators	Notes
36	1.0000	PC	G71-47102-05844		PLUG;HOUSING;A3963H02;PITCH:3mm96;POLES:2;ROWS:1;UL94-V0;STRAIGHT	[X-OVER:00: {1.0}]	
37	1.0000	PC	G71-27102-04759		WAFER;POLES:2;STRAIGHT;PITCH:3.96 mm;1 ROW;JS1120-02	[LPA1180:00: {1.0}(X5)]	

Power Supply

	Quantity	Unit	Item	Rev	Description	Reference Designators	Notes
1	1.0000	PC	J65-93809-06309		TRAFO;EI;K1800FX;EI04-0131-R1;EU/UL 120/230V;NANHAI NRE		(EU, UL, CCC, BR, RU)
2	1.0000	PC	J65-73804-06312		TRAFO;EI;P0380;SD96-290M-4200AF-BEH3-R2;EU/UL 120/230V;STANDARD SUCCESS		(RU)
3	1.0000	PC	J65-93806-06311		TRAFO;EI;P0380;EI04-0143-R2;SAA 240V;NANHAI NRE		(UK, SAA, AR)
4	1.0000	PC	J65-93807-06310		TRAFO;EI;P0380;EI04-0142-R2;JP 100V;NANHAI NRE		(JP, HL, SH)

Quarz

	Quantity	Unit	Item	Rev	Description	Reference Designators	Notes
1	1.0000	PC	H65-10471-00000		QUARZ;RESONATOR;10MHZ;HC49U FUNDAMENTAL	[K3000FX:1: {1.0}(Q1)]	(EU, UL, JP, UK, SAA, CCC, BR, AR, HL, SH, RU)
2	1.0000	PC	H65-10471-00000		QUARZ;RESONATOR;10MHZ;HC49U FUNDAMENTAL	[K3000FX:1: {1.0}(Q1)]	

Raw Material

	Quantity	Unit	Item	Rev	Description	Reference Designators	Notes
1	0.1400	M	E40-00709-16311		TAPE;ADHESIVE;3M 8915 18mm;SPEC.NO:16949		
2	1.0000	M	E40-00999-04143		TAPE;ADHESIVE;DOUBLESIDED;WIDTH:1in;SPEC.NO:04143		
3	23.0000	G	E41-02576-00664		WAX EMULSION;(YUN-QI YQF)		
4	0.4000	G	E41-60000-43046		GLUE;JIU JIE 101H		
5	1.0000	G	E41-60005-00558		GLUE;DIPPING;(JEOU-JYE WAF-5)		
6	4.8000	G	E41-60101-00282		GLUE;JEOU JYE;203		
7	110.0000	G	E41-60103-33085		GLUE;WOODEN;SY103		
8	2.0000	G	E41-60201-00667		GLUE;RE-INFORCING;(BONHAN SA-201B)		
9	3.0000	G	E41-60222-01417		GLUE;BASE:EPOXY;HARDENER:POLYSULPHIDE;(BONHAN SA-222AB)		
10	2.5000	G	E41-60318-40415		GLUE;LEE-SEEN;318B		
11	2.0000	G	E41-60750-39247		GLUE;ACRYLIC RESIN;SEMI-TRANSPARENT;FU-CHENG FC-750AL		
12	3.0000	G	E41-60768-00673		GLUE;EMULSION POLYMER;(BONHAN SA-768B)		
13	0.0200	G	E41-60868-01222		GLUE;HENG-DA;HD-868K		
14	8.3000	G	E41-61001-39245		GLUE;ACRYLIC ACID ESTER;AB COMPONENTS;KANGDA WD1001-25		
15	270.0000	G	E41-61313-50466		GLUE;GU-QIANG;GQ-008		
16	12.5000	G	E41-61600-40414		GLUE;LEE-SEEN;1600HB		
17	6.0000	G	E41-67600-46110		GLUE;JEOU-JYE;NO:7600		
18	100.0000	G	E44-20431-01409		PAINT;BASE:OIL;COLOR:PANTONE 431		
19	0.3500	G	E45-09501-01196		CLEANING AGENT;MOLD RELEASE;JIU-YUAN;DS-501		
20	12.0000	G	E50-01243-01197		SALT POWDER;ALUMINIUM SULPHATE		
21	5.6600	G	E58-01001-01199		COLOR PIGMENTS;BLACK POWDER;YQG		
22	18.3000	G	E69-00046-01474		PLASTIC;BASE RESIN;PPE POLYPHENYLENE ETHER;YELLOW;PH VALUE:4-6		
23	0.8000	G	E69-00056-01464		CARBON FIBRES;LENGTH:5mm TO 6mm;BLACK		
24	0.1560	G	E48-30270-05114		EPOXY COATING BLACK (DP-270) 50ML/PAK	[LPA1180:00: {0.156}]	(EU, UL, JP, UK, SAA, CCC, BR, AR, HL, SH, RU)
25	0.7000	G	E41-60268-50457		GLUE;SUNYES;820		(EU, UL, JP, UK, SAA, CCC, BR, AR, HL, SH, RU)
26	0.0590	G	E48-30100-09267		EPOXY COATING TRANSPARENT(DP-100 PLUS) 50ML/PAK	[LPA1180:00: {0.059}]	(EU, UL, JP, UK, SAA, CCC, BR, AR, HL, SH, RU)

	Quantity	Unit	Item	Rev	Description	Reference Designators	Notes
27	0.0020	PC	E64-01000-09284		MIXING NOZZLE;TO PLACE DP-270 EPOXY;SPEC.NO:09284	[LPA1180:00: {0.0020}]	(EU, UL, JP, UK, SAA, CCC, BR, AR, HL, SH, RU)
28	0.8000	G	E41-60116-04068		GLUE;SUN-DA;SILCONE;SW-116-A	[LPA1180:00: {0.8}]	(EU, UL, JP, UK, SAA, CCC, BR, AR, HL, SH, RU)
29	2.4000	ML	E41-70737-01808		SEALANT;DOW-CORNING 737;TRANSLUCENT WHITE		(EU, UL, JP, UK, SAA, BR, AR, HL, SH, RU)
30	0.1560	G	E48-30270-05114		EPOXY COATING BLACK (DP-270) 50ML/PAK	[LPA1180:00: {0.156}]	
31	0.0590	G	E48-30100-09267		EPOXY COATING TRANSPARENT(DP-100 PLUS) 50ML/PAK	[LPA1180:00: {0.059}]	
32	1.0000	PC	E47-15429-01212		GROUND CONTACT;ONBOARD;PHOSPHOR BRONZE;PARTIALLY GOLD PLATED;54x29x25mm;(KITAGAWA OG-542925)	[K3000FX:1: {1.0}]	(EU, UL, JP, UK, SAA, CCC, BR, AR, HL, SH, RU)
33	0.0020	PC	E64-01000-09284		MIXING NOZZLE;TO PLACE DP-270 EPOXY;SPEC.NO:09284	[LPA1180:00: {0.0020}]	
34	3.0000	G	E41-50088-50456		HOTMELT;ZL;HS-88A		(EU, UL, JP, UK, SAA, CCC, BR, AR, HL, SH, RU)
35	1.0000	PC	E47-15429-01212		GROUND CONTACT;ONBOARD;PHOSPHOR BRONZE;PARTIALLY GOLD PLATED;54x29x25mm;(KITAGAWA OG-542925)	[K3000FX:1: {1.0}]	
36	2.4000	ML	E41-70737-01808		SEALANT;DOW-CORNING 737;TRANSLUCENT WHITE		
37	0.7000	G	E41-60268-50457		GLUE;SUNYES;820		
38	3.0000	G	E41-50088-50456		HOTMELT;ZL;HS-88A		
39	0.8000	G	E41-60116-04068		GLUE;SUN-DA;SILCONE;SW-116-A	[LPA1180:00: {0.8}]	

Fader

	Quantity	Unit	Item	Rev	Description	Reference Designators	Notes
1	7.0000	PC	I00-92951-02422		FADER;30mm;100Kohm;TAPER;W;STEREO;W/CC;(POLYS HINE F-3092E+C+E-W100K1-L9.5(J));RED LED	[K3000FX:1: {7.0}{VR6-VR12}]	(EU, UL, JP, UK, SAA, CCC, BR, AR, HL, SH, RU)
2	7.0000	PC	I00-92951-02422		FADER;30mm;100Kohm;TAPER;W;STEREO;W/CC;(POLYS HINE F-3092E+C+E-W100K1-L9.5(J));RED LED	[K3000FX:1: {7.0}{VR6-VR12}]	

Potentiometer

	Quantity	Unit	Item	Rev	Description	Reference Designators	Notes
1	6.0000	PC	I03-88945-04278		POTENTIOMETER;50Kohm;TAPER:W;STEREO;SHAFT:30MM;W/O CC;HIGH TORQUE;40-100gf;(TOPROOT RK112GV01-F30B12-W50KSB-O-H)	[K3000FX:1: {6.0}(VR5, VR13-VR16, VR18)]	(EU, UL, JP, UK, SAA, CCC, BR, AR, HL, SH, RU)
2	5.0000	PC	I03-87945-04085		POTENTIOMETER;50Kohm;TAPER:W;MONO;SHAFT:30MM;W/O CC;HIGH HIGH TORQUE 40-100gf;(TOPROOT RK093NVA01-F30B12-W50K(300)-O-HH)	[K3000FX:1: {5.0}(VR1-VR4, VR17)]	(EU, UL, JP, UK, SAA, CCC, BR, AR, HL, SH, RU)
3	6.0000	PC	I03-88945-04278		POTENTIOMETER;50Kohm;TAPER:W;STEREO;SHAFT:30MM;W/O CC;HIGH TORQUE;40-100gf;(TOPROOT RK112GV01-F30B12-W50KSB-O-H)	[K3000FX:1: {6.0}(VR5, VR13-VR16, VR18)]	
4	5.0000	PC	I03-87945-04085		POTENTIOMETER;50Kohm;TAPER:W;MONO;SHAFT:30MM;W/O CC;HIGH HIGH TORQUE 40-100gf;(TOPROOT RK093NVA01-F30B12-W50K(300)-O-HH)	[K3000FX:1: {5.0}(VR1-VR4, VR17)]	

Encoder

	Quantity	Unit	Item	Rev	Description	Reference Designators	Notes
1	1.0000	PC	I32-92430-02704		ENCODER;12mm;DETENTS:24;PULSES:24;30mm;W/SWITCH;NO NUT/WASHER;(POLYSHINE F-12ES5H24B-P+C L30FX12(O))	[K3000FX:1: {1.0}(SW1)]	(EU, UL, JP, UK, SAA, CCC, BR, AR, HL, SH, RU)
2	1.0000	PC	I32-92430-02704		ENCODER;12mm;DETENTS:24;PULSES:24;30mm;W/SWITCH;NO NUT/WASHER;(POLYSHINE F-12ES5H24B-P+C L30FX12(O))	[K3000FX:1: {1.0}(SW1)]	

Speaker Part

	Quantity	Unit	Item	Rev	Description	Reference Designators	Notes
1	1.0000	PC	H71-60250-48914		TWEETER;P0888;1 in;80 W;8 ohm;25T80A8		
2	1.0000	PC	H77-60120-52064		WOOFER;12W600A4;EUROLIVE;DIA:12in;4ohm;600W;(Z EE BWF30804049A)		
3	1.0000	G	H79-00000-82481		DOME;25T80A8;ASSY		
4	1.0000	PC	H79-00100-02653		GASKET;GA305P6_5A;MATERIAL:BLACK PAPER;OUTER DIAMETER:305mm;THICKNESS:6mm5;DST.NO:001;DPT.NO:02653;(LS-GA305P6_5A-REVA.DWG)		
5	1.0000	PC	H79-00100-03404		MAGNET;MG120FE29A;MATERIAL:Y30;F120mm*F60mm*20H;DST.NO:001;DPT.NO:03404;(LS-MG120FE29A-REVA.DWG)		
6	1.0000	PC	H79-00100-05108		MAGNET;MG80FE8_7A;MATERIAL:Y25;80x32x12;DST.NO:001;DPT.NO:05108;(LS-MG80FE8_7A-REVA.DWG)		
7	1.0000	PC	H79-00100-05112		TWEETER DOME;LS-TD43_6C6_6A;MATERIAL:0mm02;DIAMETER:43mm6;6mm6H;DST.NO:001;DPT.NO:05112;(LS-TD43_6C6_6A-REVA.DWG)		
8	1.0000	PC	H79-00100-05113		VOICE COIL;VC25_5K6_3A;BOBBIN MATERIAL:KSV;DIAMETER:25mm5;5.2H;DC RESISTANCE:6ohm3;BARE WIRE DIA:0mm1;DST.NO:001;DPT.NO:05113;(LS-VC25_5K6_3A-REVA.DWG)		
9	1.0000	PC	H79-00100-07080		VOICE COIL;VC50_5A3_2B;BOBBIN MATERIAL:KAPTON;EISV;DIAMETER:50mm5;38H;DC RESISTANCE:3ohm2;BARE WIRE DIA:0mm32;WINDING HEIGHT:11mm1;3 LAYERS;DST.NO:001;DPT.NO:07080;(LS-VC50_5A3_2B-REVA.DWG)		
10	1.0000	PC	H79-00100-07904		CONE;CP300P70B;MATERIAL:PAPER;12in CLOTH EDGE;CENTRE HOLE DIAMETER:XXmm;HEIGHT:XXmm;DST.NO:001;DPT.NO:07904;(LS-CP300P70B-REVA.DWG)		
11	1.0000	PC	H79-00100-07970		GASKET;GA44EVA0_5A;MATERIAL:EVA;DIAMETER:44mm;DST.NO:001;DPT.NO:07970;(LS-GA44EVA0_5A-REVA.DWG)		
12	1.0000	PC	H79-00100-08712		DUST CAP;DC108P02C;MATERIAL:BLACK PAPER;OUTER DIAMETER:108mm;HEIGHT:19mm;DST.NO:001;DPT.NO:08712;(LS-DC108P02C-REVA.DWG)		
13	1.0000	PC	H79-00200-08028		DAMPER;MATERIAL:CONEX;OUTSIDE DIAMETER:158mm;13mm HIGH;0.6mm/50g;DST.NO:002;DPT.NO:08028;(LS-DP158CX01C-REVB.DWG)		

Switch

	Quantity	Unit	Item	Rev	Description	Reference Designators	Notes
1	2.0000	PC	I77-03442-02780		SWITCH;RADIAL;4P2T;PCB VERSION;LOCKING;NONSHORT;RAD4P	[K3000FX:1: {2.0}(SW2-SW3)]	(EU, UL, JP, UK, SAA, CCC, BR, AR, HL, SH, RU)
2	3.0000	PC	I77-03422-02778		SWITCH;RADIAL;2P2T;PCB VERSION;LOCKING;NONSHORT;RAD2P	[K3000FX:1: {2.0}(SW4-SW5)] [P0379:03: {1.0}(SW6)]	(EU, UL, JP, UK, SAA, CCC, BR, AR, HL, SH, RU)
3	1.0000	PC	I84-02211-00140		SWITCH;ROCKER;1P1T;WHITE LINE MARKING RADIAL;LOCKING;NONSHORT;APPROVAL: UL94V0;(SOLTEAM MR22-FBBB-F2		(EU, UL, JP, UK, SAA, CCC, BR, AR, HL, SH, RU)
4	2.0000	PC	I77-03442-02780		SWITCH;RADIAL;4P2T;PCB VERSION;LOCKING;NONSHORT;RAD4P	[K3000FX:1: {2.0}(SW2-SW3)]	
5	3.0000	PC	I77-03422-02778		SWITCH;RADIAL;2P2T;PCB VERSION;LOCKING;NONSHORT;RAD2P	[K3000FX:1: {2.0}(SW4-SW5)] [P0379:03: {1.0}(SW6)]	
6	1.0000	PC	I84-02211-00140		SWITCH;ROCKER;1P1T;WHITE LINE MARKING RADIAL;LOCKING;NONSHORT;APPROVAL: UL94V0;(SOLTEAM MR22-FBBB-F2		

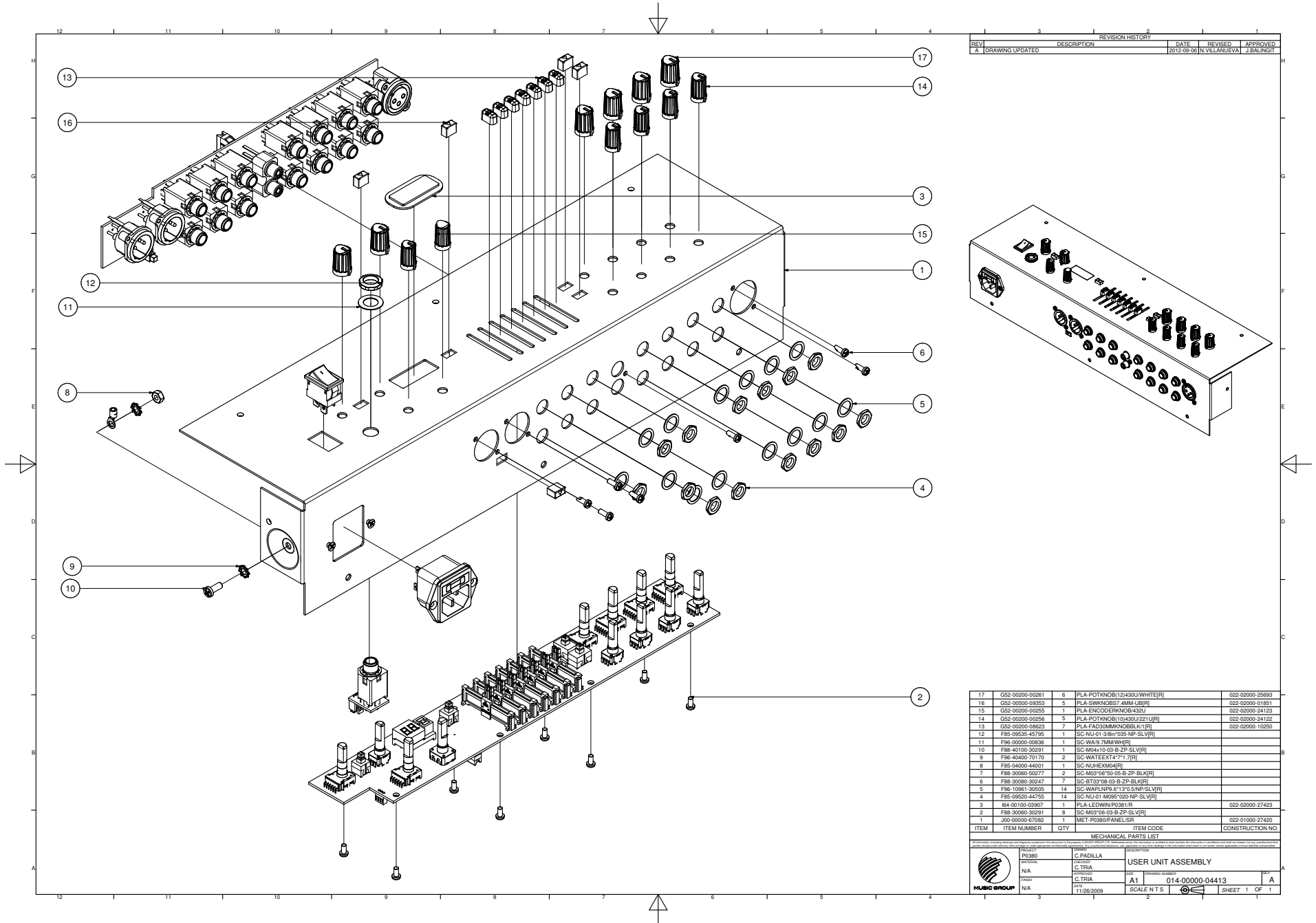
Transistor

	Quantity	Unit	Item	Rev	Description	Reference Designators	Notes
1	1.0000	PC	J73-08004-21703		TRANSISTOR;MBTA42;SOT	[LPA1180:00: {1.0}(T7)]	(EU, UL, JP, UK, SAA, CCC, BR, AR, HL, SH, RU)
2	2.0000	PC	J73-02085-61703		TRANSISTOR;BC856B;SOT;SMD	[K3000FX:1: {1.0}(T13)] [LPA1180:00: {1.0}(T9)]	(EU, UL, JP, UK, SAA, CCC, BR, AR, HL, SH, RU)
3	1.0000	PC	J70-22035-03403		TRANSISTOR;MJE350;TO126	[LPA1180:00: {1.0}(T5)]	(EU, UL, JP, UK, SAA, CCC, BR, AR, HL, SH, RU)
4	1.0000	PC	J70-22035-03403		TRANSISTOR;MJE350;TO126	[LPA1180:00: {1.0}(T5)]	
5	12.0000	PC	J73-02084-61703		TRANSISTOR;BC846B;SOT;SMD	[K3000FX:1: {11.0}(T2-T8, T11-T12, T14-T15)] [LPA1180:00: {1.0}(T10)]	(EU, UL, JP, UK, SAA, CCC, BR, AR, HL, SH, RU)
6	1.0000	PC	J73-07005-60803		TRANSISTOR;MPSA56;TO92;TAPING	[K3000FX:1: {1.0}(T1)]	(EU, UL, JP, UK, SAA, CCC, BR, AR, HL, SH, RU)
7	1.0000	PC	J70-20914-06003		TRANSISTOR;IRFP9140N;TO247AC	[LPA1180:00: {1.0}(T1)]	(EU, UL, JP, UK, SAA, CCC, BR, AR, HL, SH, RU)
8	1.0000	PC	J73-08009-21703		TRANSISTOR;MBTA92;SOT	[LPA1180:00: {1.0}(T6)]	(EU, UL, JP, UK, SAA, CCC, BR, AR, HL, SH, RU)
9	1.0000	PC	J73-07000-60803		TRANSISTOR;MPSA06;TO92;P:2.54(BENT LEAD)	[LPA1180:00: {1.0}(T3)]	(EU, UL, JP, UK, SAA, CCC, BR, AR, HL, SH, RU)
10	1.0000	PC	J70-20014-03203		TRANSISTOR;IRFP140N;TO247	[LPA1180:00: {1.0}(T4)]	(EU, UL, JP, UK, SAA, CCC, BR, AR, HL, SH, RU)
11	12.0000	PC	J73-02084-61703		TRANSISTOR;BC846B;SOT;SMD	[K3000FX:1: {11.0}(T2-T8, T11-T12, T14-T15)] [LPA1180:00: {1.0}(T10)]	
12	1.0000	PC	J73-07005-60803		TRANSISTOR;MPSA56;TO92;TAPING	[K3000FX:1: {1.0}(T1)]	
13	1.0000	PC	J70-22034-03403		TRANSISTOR;MJE340;TO126	[LPA1180:00: {1.0}(T2)]	(EU, UL, JP, UK, SAA, CCC, BR, AR, HL, SH, RU)
14	3.0000	PC	J74-10011-21703		TRANSISTOR;SST112;SOT	[K3000FX:1: {2.0}(T9-T10)] [LPA1180:00: {1.0}(T8)]	(EU, UL, JP, UK, SAA, CCC, BR, AR, HL, SH, RU)
15	2.0000	PC	J73-02085-61703		TRANSISTOR;BC856B;SOT;SMD	[K3000FX:1: {1.0}(T13)] [LPA1180:00: {1.0}(T9)]	
16	1.0000	PC	J70-20914-06003		TRANSISTOR;IRFP9140N;TO247AC	[LPA1180:00: {1.0}(T1)]	
17	1.0000	PC	J73-08004-21703		TRANSISTOR;MBTA42;SOT	[LPA1180:00: {1.0}(T7)]	
18	1.0000	PC	J73-07000-60803		TRANSISTOR;MPSA06;TO92;P:2.54(BENT LEAD)	[LPA1180:00: {1.0}(T3)]	

	Quantity	Unit	Item	Rev	Description	Reference Designators	Notes
19	1.0000	PC	J70-22034-03403		TRANSISTOR;MJE340;TO126	[LPA1180:00: {1.0}(T2)]	
20	1.0000	PC	J70-20014-03203		TRANSISTOR;IRFP140N;TO247	[LPA1180:00: {1.0}(T4)]	
21	3.0000	PC	J74-10011-21703		TRANSISTOR;SST112;SOT	[K3000FX:1: {2.0}(T9-T10)] [LPA1180:00: {1.0}(T8)]	
22	1.0000	PC	J73-08009-21703		TRANSISTOR;MBTA92;SOT	[LPA1180:00: {1.0}(T6)]	

Wooden Part

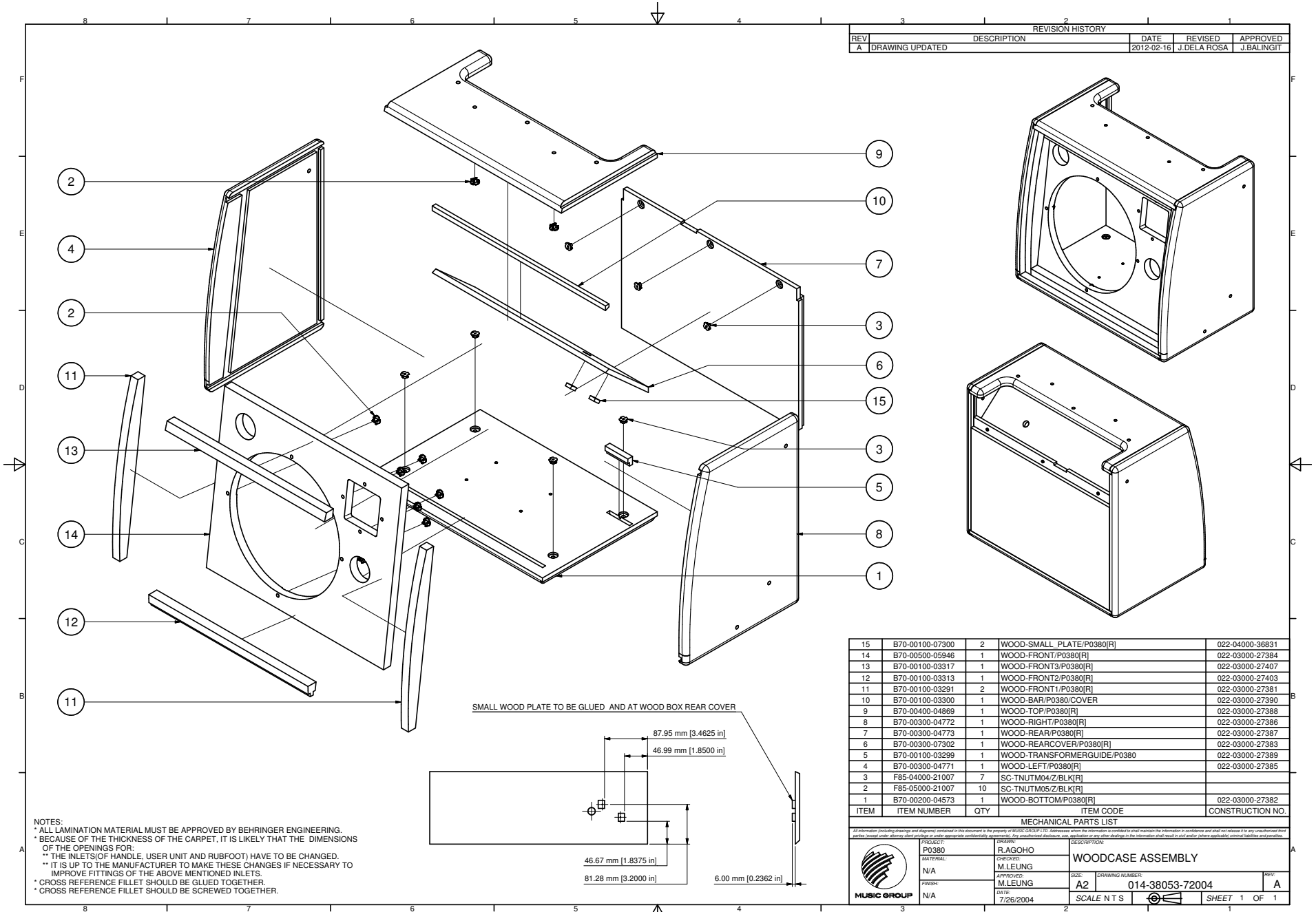
	Quantity	Unit	Item	Rev	Description	Reference Designators	Notes
1	0.0290	PC	B70-00100-01073		WOOD;BOARD;MDF;2440*1220*9;DST.NO:001;DPT.NO:01073;(WOOD BOARD THICKNESS 5-REVA.DWG)		
2	2.0000	PC	B70-00100-03291		WOOD;BOX;P0380;MDF;BLACK;FRONT 1;DST.NO:001;DPT.NO:03291;(P38-WOODBOX FRONT1-REVA.DWG)		
3	2.0000	PC	B70-00100-03313		WOOD;BOX;P0380;MDF;BLACK;FRONT 2;DST.NO:001;DPT.NO:03313;(P38-WOODBOX FRONT2-REVA.DWG)		
4	1.0000	PC	B70-00100-03317		WOOD;BOX;P0380;MDF;BLACK;FRONT 3;DST.NO:001;DPT.NO:03317;(P38-WOODBOX FRONT3-REVA.DWG)		
5	1.0000	PC	B70-00200-04573		WOOD;BOTTOM;P0380;MDF;BLACK;DST.NO:002;DPT.NO:04573;(P380-WOODBOX BOTTOM-REVB.DWG)		
6	1.0000	PC	B70-00300-04771		WOOD BOX;LEFT;P0380;DST.NO:003;DPT.NO:04771;(P0380-WOODBOX LEFT-REVC.DWG)		
7	1.0000	PC	B70-00300-04772		WOOD BOX;RIGHT;P0380;DST.NO:003;DPT.NO:04772;(P0380-WOODBOX RIGHT-REVC.DWG)		
8	1.0000	PC	B70-00300-04773		WOOD BOX;REAR;P0380;DST.NO:003;DPT.NO:04773;(P0380-WOODBOX REAR-REVC.DWG)		
9	1.0000	PC	B70-00300-07302		WOOD;BOX;P0380;MDF;BLACK;SPRAYING;REAR COVER;DST.NO:003;DPT.NO:07302;(P380-WOODBOX REAR COVER-REVC.DWG)		
10	1.0000	PC	B70-00400-04869		WOOD BOX;TOP;P0380;DST.NO:004;DPT.NO:04869;(P0380-WOODBOX TOP-REVD.DWG)		
11	1.0000	PC	B70-00500-05946		WOOD;BOX;P0380;MDF;431;SPRAYING;FRONT;DST.NO:005;DPT.NO:05946;(P0380-WOODFRONT-REVE.DWG)		
12	0.3780	PC	B72-42221-00190		WOOD BOARD;CHINA BOARD;2440*1220*18		
13	0.8000	G	B73-19015-01214		FIBRES;KAPOK;YELLOW;LONG FIBRE		
14	1.1700	G	B73-29006-01215		KEVLAR;5mm to 6mm;YELLOW		



REVISION HISTORY		DATE	REVISED	APPROVED
REV	DESCRIPTION			
A	DRAWING UPDATED	2012-09-06	N.VILLANUEVA	J.BALOGH

ITEM	ITEM NUMBER	QTY	MECHANICAL PARTS LIST	ITEM CODE	CONSTRUCTION NO.
17	G52-00200-00261	8	PLA-POTYKNOB12x430U WHITE[R]		002-02000-25693
16	G52-00200-00253	5	PLA-SWYKNOB1 4MM US[R]		002-02000-01851
15	G52-00200-00255	1	PLA-ENCODERKNOB432U		002-02000-24123
14	G52-00200-00256	5	PLA-POTYKNOB10x430U 22.1U[R]		002-02000-24122
13	G52-00200-08620	7	PLA-FADJMMYKNOBBLK1[R]		002-02000-10250
12	F85-05520-45795	1	SC-NU 01-38W*020-NP-SLVR		
11	F96-00000-00836	1	SC-WA 8.7MMWH[R]		
10	F88-40100-30291	1	SC-M04x10-03-B-ZP-SLVR		
9	F96-04000-70170	2	SC-WATEX16717.1[R]		
8	F85-04000-44001	1	SC-NUHEXM04[R]		
7	F88-30060-50277	2	SC-M03*06*50-05-B-ZP-BLK[R]		
6	F88-30080-30247	7	SC-B103*08-03-B-ZP-BLK[R]		
5	F96-10961-30025	14	SC-WAP-NP 6.1*13.0-NP-SLVR		
4	F85-05520-44755	14	SC-NU 01-M995*020-NP-SLVR		
3	864-00100-02907	1	PLA-LEDWIN P3081[R]		002-02000-27423
2	F96-30000-30291	6	SC-M03*06-03-B-ZP-SLVR		
1	J00-00000-67082	1	MET-PO380 PANEL SR		002-01000-27420

MECHANICAL PARTS LIST		DESCRIPTION	
PROB	C.PADILLA	DESIGNER	
MATERIAL	C.TRIA	DATE	
N/A		SCALE	A1
		CONSTRUCTION NO.	014-00000-04413
		DATE	11/26/2009
		SCALE	N T S
			SHEET 1 OF 1

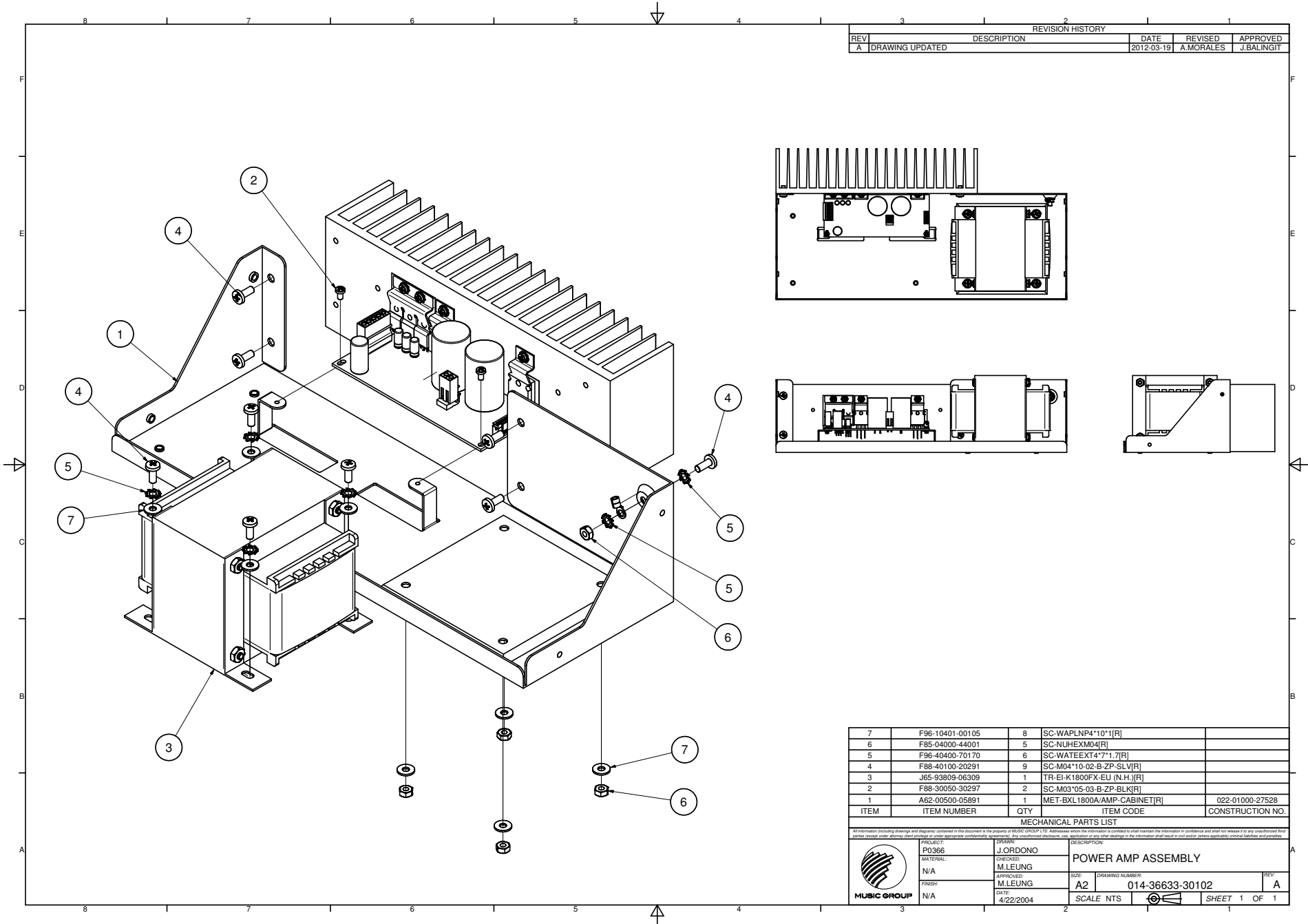


REVISION HISTORY				
REV	DESCRIPTION	DATE	REVISED	APPROVED
A	DRAWING UPDATED	2012-02-16	J.DELA ROSA	J.BALINGIT

ITEM	ITEM NUMBER	QTY	ITEM CODE	CONSTRUCTION NO.
15	B70-00100-07300	2	WOOD-SMALL_PLATE/P0380[R]	022-04000-36831
14	B70-00500-05946	1	WOOD-FRONT/P0380[R]	022-03000-27384
13	B70-00100-03317	1	WOOD-FRONT3/P0380[R]	022-03000-27407
12	B70-00100-03313	1	WOOD-FRONT2/P0380[R]	022-03000-27403
11	B70-00100-03291	2	WOOD-FRONT1/P0380[R]	022-03000-27381
10	B70-00100-03300	1	WOOD-BAR/P0380/COVER	022-03000-27390
9	B70-00400-04869	1	WOOD-TOP/P0380[R]	022-03000-27388
8	B70-00300-04772	1	WOOD-RIGHT/P0380[R]	022-03000-27386
7	B70-00300-04773	1	WOOD-REAR/P0380[R]	022-03000-27387
6	B70-00300-07302	1	WOOD-REARCOVER/P0380[R]	022-03000-27383
5	B70-00100-03299	1	WOOD-TRANSFORMERGUIDE/P0380	022-03000-27389
4	B70-00300-04771	1	WOOD-LEFT/P0380[R]	022-03000-27385
3	F85-04000-21007	7	SC-TNUTM04/Z/BLK[R]	
2	F85-05000-21007	10	SC-TNUTM05/Z/BLK[R]	
1	B70-00200-04573	1	WOOD-BOTTOM/P0380[R]	022-03000-27382

MECHANICAL PARTS LIST				
PROJECT:	P0380	DRAWN:	R.AGOHO	DESCRIPTION:
MATERIAL:	N/A	CHECKED:	M.LEUNG	WOODCASE ASSEMBLY
FINISH:	N/A	APPROVED:	M.LEUNG	SIZE:
		DATE:	7/26/2004	DRAWING NUMBER:
				014-38053-72004
				REV:
				A
				SCALE N T S
				SHEET 1 OF 1

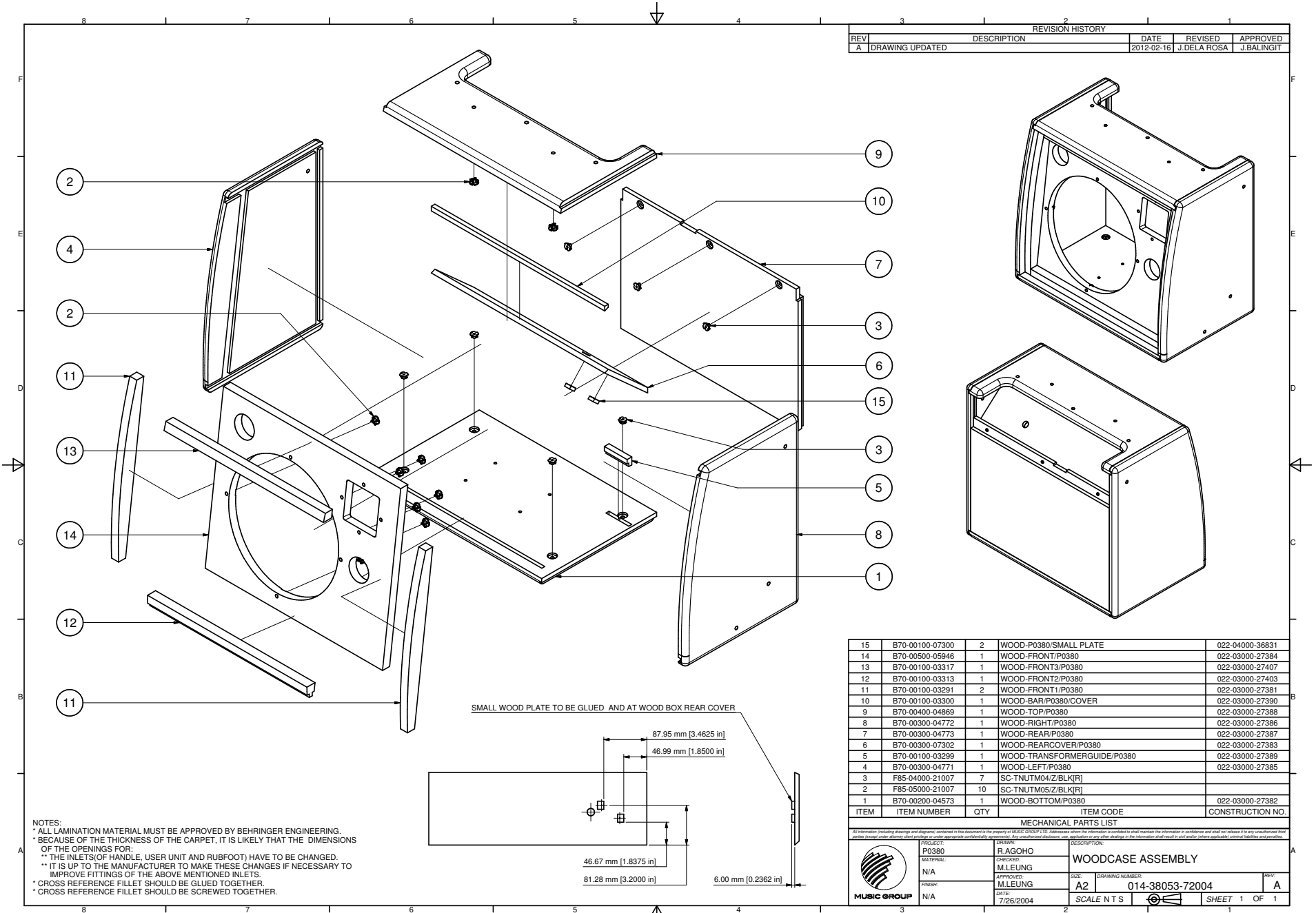
NOTES:
 * ALL LAMINATION MATERIAL MUST BE APPROVED BY BEHRINGER ENGINEERING.
 * BECAUSE OF THE THICKNESS OF THE CARPET, IT IS LIKELY THAT THE DIMENSIONS OF THE OPENINGS FOR:
 ** THE INLETS (OF HANDLE, USER UNIT AND RUBFOOT) HAVE TO BE CHANGED.
 ** IT IS UP TO THE MANUFACTURER TO MAKE THESE CHANGES IF NECESSARY TO IMPROVE FITTINGS OF THE ABOVE MENTIONED INLETS.
 * CROSS REFERENCE FILLET SHOULD BE GLUED TOGETHER.
 * CROSS REFERENCE FILLET SHOULD BE SCREWED TOGETHER.



REVISION HISTORY				
REV	DESCRIPTION	DATE	REVISED	APPROVED
A	DRAWING UPDATED	2012-03-19	A.MORALES	J.BALINGIT

ITEM	ITEM NUMBER	QTY	ITEM CODE	CONSTRUCTION NO.
7	F96-10401-00105	8	SC-WAPLNP4*10*1[R]	
6	F85-04000-44001	5	SC-NUHEXM04[R]	
5	F96-04000-70170	6	SC-WATEEXT4*7*1.7[R]	
4	F88-40100-20291	9	SC-M04*10-02-B-ZP-SL[R]	
3	J65-93809-06309	1	TR-EI-K1800FX-EU (N.H.)(R)	
2	F88-30050-30297	2	SC-M03*05-03-B-ZP-BLK[R]	
1	A62-00500-05891	1	MET-BXL1800A/AMP-CABINET[R]	022-01000-27528

MECHANICAL PARTS LIST				
PROJECT: P0366		DRAWN: J.ORDONO		DESCRIPTION: POWER AMP ASSEMBLY
MATERIAL: N/A		CHECKED: M.LEUNG		SCALE: A2
FINISH: N/A		APPROVED: M.LEUNG		DRAWING NUMBER: 014-36633-30102
		DATE: 4/22/2004		REV: A

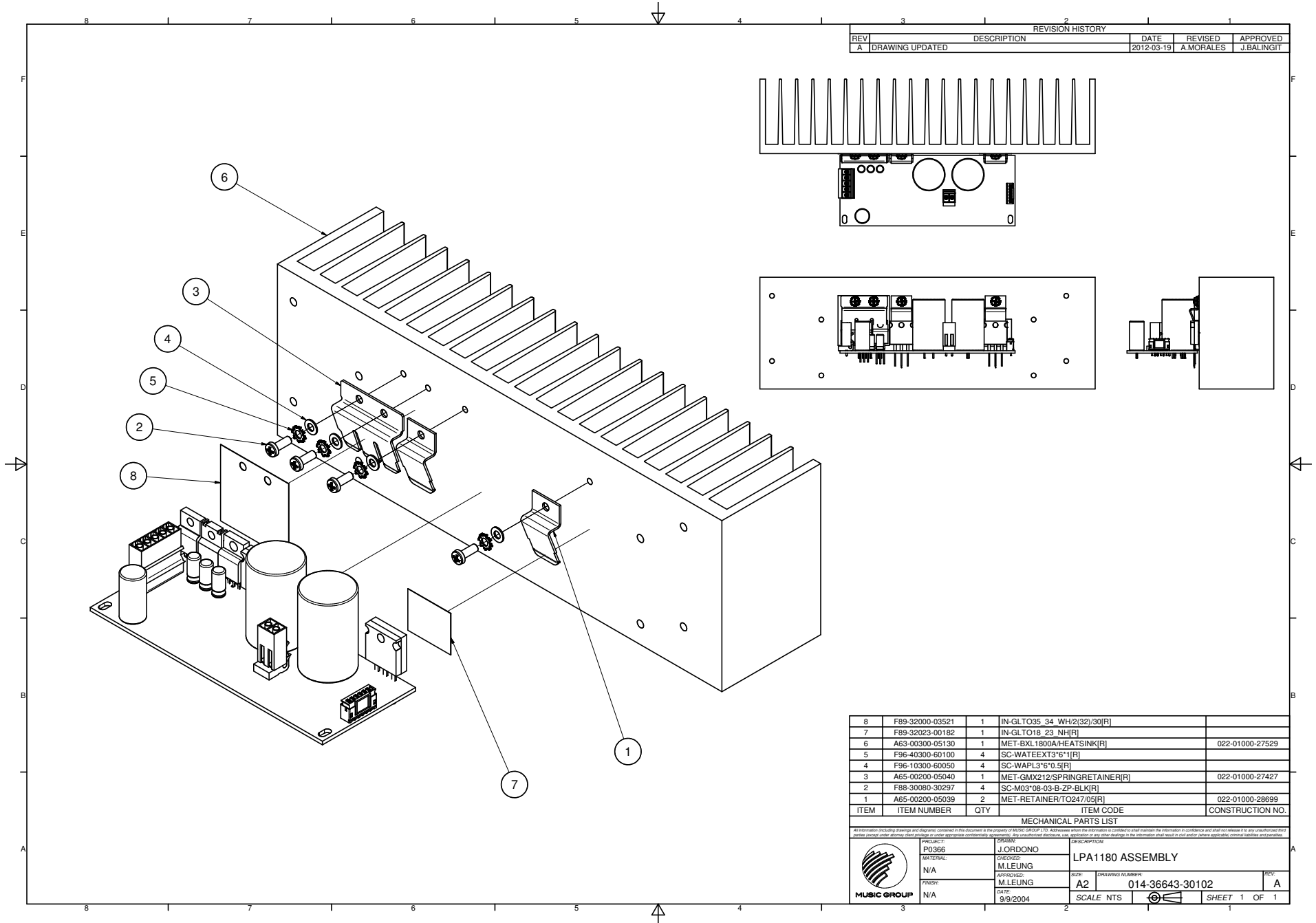


REVISION HISTORY				
REV	DESCRIPTION	DATE	REVISED	APPROVED
A	DRAWING UPDATED	2012-02-16	J.DELA ROSA	J.BALINGIT

ITEM	ITEM NUMBER	QTY	ITEM CODE	CONSTRUCTION NO.
15	B70-00100-07300	2	WOOD-P0380/SMALL PLATE	022-04000-36831
14	B70-00500-05946	1	WOOD-FRONT/P0380	022-03000-27384
13	B70-00100-03317	1	WOOD-FRONT3/P0380	022-03000-27407
12	B70-00100-03313	1	WOOD-FRONT2/P0380	022-03000-27403
11	B70-00100-03291	2	WOOD-FRONT1/P0380	022-03000-27381
10	B70-00100-03300	1	WOOD-BAR/P0380/COVER	022-03000-27390
9	B70-00400-04869	1	WOOD-TOP/P0380	022-03000-27388
8	B70-00300-04772	1	WOOD-RIGHT/P0380	022-03000-27386
7	B70-00300-04773	1	WOOD-REAR/P0380	022-03000-27387
6	B70-00300-07302	1	WOOD-REARCOVER/P0380	022-03000-27383
5	B70-00100-03299	1	WOOD-TRANSFORMERGUIDE/P0380	022-03000-27389
4	B70-00300-04771	1	WOOD-LEFT/P0380	022-03000-27385
3	F85-04000-21007	7	SC-TNUTM04/Z/BLK[R]	
2	F85-05000-21007	10	SC-TNUTM05/Z/BLK[R]	
1	B70-00200-04573	1	WOOD-BOTTOM/P0380	022-03000-27382

MECHANICAL PARTS LIST				
PROJECT:	P0380	DRAWN:	R.AGOHO	DESCRIPTION:
MATERIAL:	N/A	CHECKED:	M.LEUNG	WOODCASE ASSEMBLY
FINISH:	N/A	APPROVED:	M.LEUNG	SIZE:
		DATE:	7/26/2004	DRAWING NUMBER:
				014-38053-72004
				SCALE N T S
				SHEET 1 OF 1

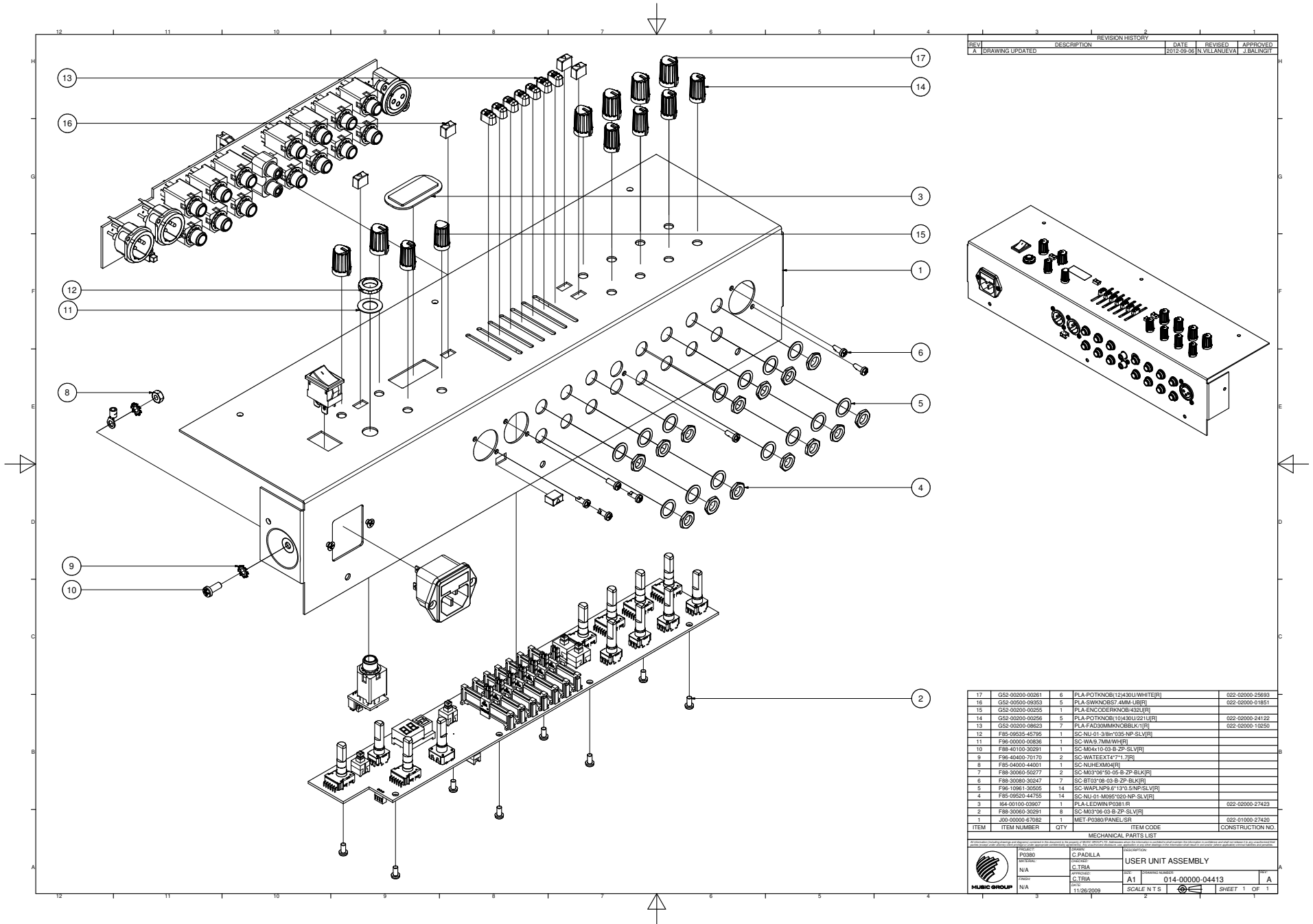
NOTES:
 * ALL LAMINATION MATERIAL MUST BE APPROVED BY BEHRINGER ENGINEERING.
 * BECAUSE OF THE THICKNESS OF THE CARPET, IT IS LIKELY THAT THE DIMENSIONS OF THE OPENINGS FOR:
 ** THE INLETS (OF HANDLE, USER UNIT AND RUBFOOT) HAVE TO BE CHANGED.
 ** IT IS UP TO THE MANUFACTURER TO MAKE THESE CHANGES IF NECESSARY TO IMPROVE FITTINGS OF THE ABOVE MENTIONED INLETS.
 * CROSS REFERENCE FILLET SHOULD BE GLUED TOGETHER.
 * CROSS REFERENCE FILLET SHOULD BE SCREWED TOGETHER.



REVISION HISTORY				
REV	DESCRIPTION	DATE	REVISED	APPROVED
A	DRAWING UPDATED	2012-03-19	A.MORALES	J.BALINGIT

ITEM	ITEM NUMBER	QTY	ITEM CODE	CONSTRUCTION NO.
8	F89-32000-03521	1	IN-GLTO35_34_WH(2)(32)/30[R]	
7	F89-32023-00182	1	IN-GLTO18_23_NH[R]	
6	A63-00300-05130	1	MET-BXL1800A/HEATSINK[R]	022-01000-27529
5	F96-40300-60100	4	SC-WATEEXT3*6*1[R]	
4	F96-10300-60050	4	SC-WAPL3*6*0.5[R]	
3	A65-00200-05040	1	MET-GMX212/SPRINGRETAINER[R]	022-01000-27427
2	F88-30080-30297	4	SC-M03*08-03-B-ZP-BLK[R]	
1	A65-00200-05039	2	MET-RETAINER/TO247/05[R]	022-01000-28699

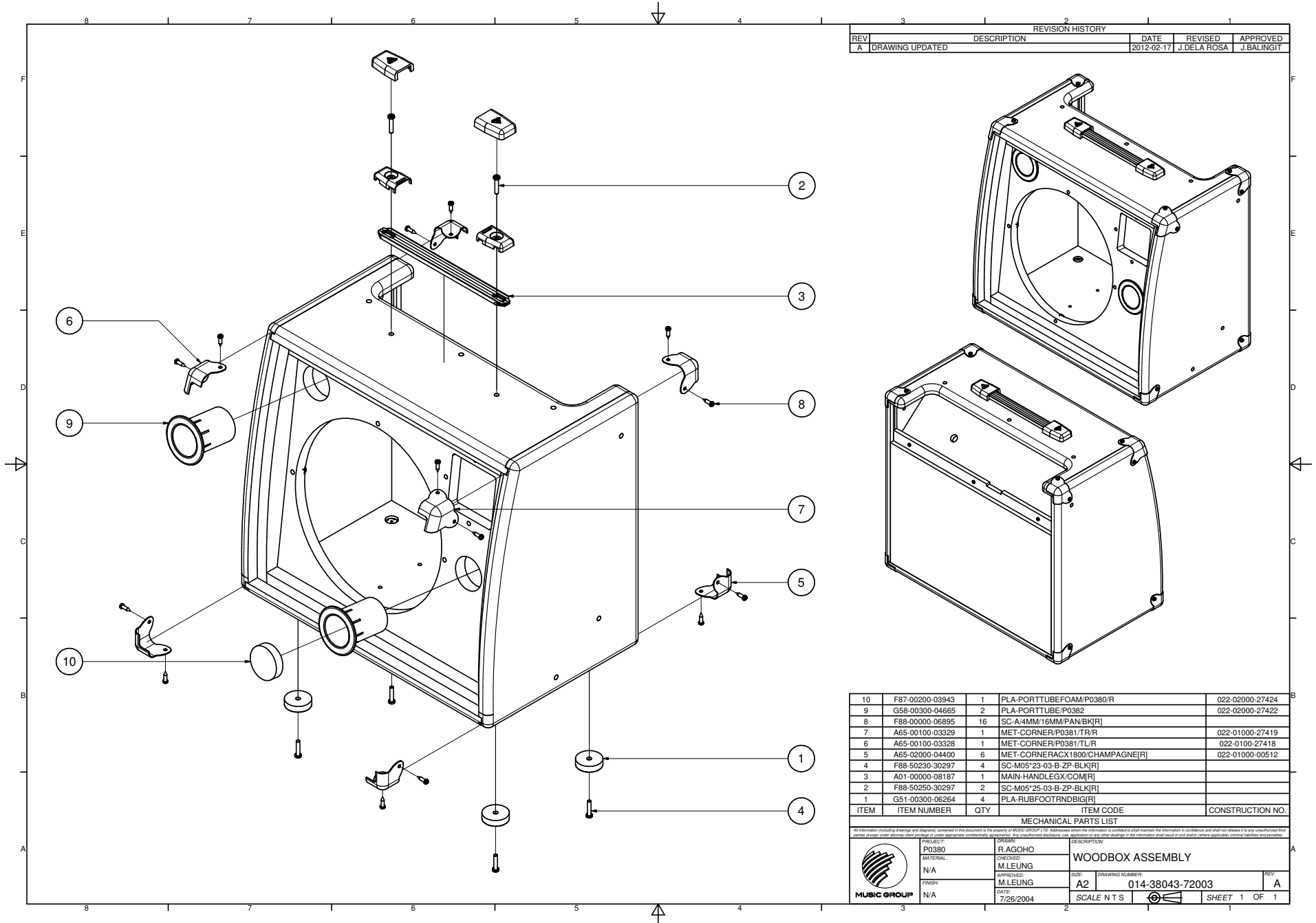
MECHANICAL PARTS LIST				
PROJECT:		DRAWN:		DESCRIPTION:
P0366		J.ORDONO		LPA1180 ASSEMBLY
MATERIAL:		DESIGNED:		
N/A		M.LEUNG		
APPROVED:		SIZE:	DRAWING NUMBER:	
M.LEUNG		A2	014-36643-30102	
FINISH:		DATE:	SCALE	
N/A		9/9/2004	NTS	



REVISION HISTORY		DATE	REVISED	APPROVED
REV	DESCRIPTION			
1	DRAWING UPDATED	2012-09-06	N.VILANALVA	J.MALLINCH

ITEM	ITEM NUMBER	QTY	ITEM CODE	CONSTRUCTION NO.
17	G52-00200-00281	6	PLA-POTKNOB12x430J(WHITE)(R)	022-02000-25693
16	G52-00200-00283	5	PLA-SWKNOSST-4MM-UB(R)	022-02000-91851
15	G52-00200-00255	1	PLA-ENCODERKNOB-432J(L)(R)	022-02000-24122
14	G52-00200-00256	5	PLA-POTKNOB10x430J(GZ)(L)(R)	022-02000-19250
13	G52-00200-00823	7	PLA-F-AD30MM(N)DBLK(L)(R)	
12	F85-09520-47795	1	SC-NU-G1-5865105-NP-SLVR	
11	F96-00000-00636	1	SC-WA-9.7MM(W)(R)	
10	F88-40100-30291	1	SC-M04x10-03-B-2P-SLVR	
9	F96-00000-70173	2	SC-WA-TEEXT47x11.700	
8	F85-04000-44001	1	SC-NUHEXM04(R)	
7	F88-30060-50277	2	SC-M03*08*50-05-B-2P-BLK(R)	
6	F88-30080-30247	7	SC-BT10*08-03-B-2P-BLK(R)	
5	F96-10961-50256	14	SC-WA-NSP-#1373-2NP-SLVR	
4	F85-09520-44755	14	SC-NU-G1-M0951020-NP-SLVR	
3	884-00100-02807	1	PLA-LEDWIN-P0381(R)	022-02000-27423
2	F88-30060-30291	8	SC-M03*08-03-B-2P-SLVR	
1	J00-00000-87082	1	MET-P0380-PANEL-SR	022-01000-27420

MECHANICAL PARTS LIST			
PROJ	C.PADILLA	DESCRIPTION	USER UNIT ASSEMBLY
DATE	07/20/12	DRAWING NO.	014-00000-04413
BY	C.TBIA	SCALE	N.T.S.
CHK	C.TBIA	DATE	11/26/2009
APP	N/A	SHEET	1 OF 1



REVISION HISTORY				
REV	DESCRIPTION	DATE	REVISED	APPROVED
A	DRAWING UPDATED	2012-02-17	J.DELA ROSA	J.BALINGIT

ITEM	ITEM NUMBER	QTY	ITEM CODE	CONSTRUCTION NO.
10	F87-00200-03943	1	PLA-PORRTUBEFOAM/P0380/R	022-02000-27424
9	G58-00300-04665	2	PLA-PORRTUBE/P0382	022-02000-27422
8	F88-00000-06895	16	SC-A4MM/16MM/PAN/BK[R]	
7	A65-00100-03329	1	MET-CORNER/P0381/TR/R	022-01000-27419
6	A65-00100-03328	1	MET-CORNER/P0381/TL/R	022-01000-27418
5	A65-02000-04400	6	MET-CORNERACX1800/CHAMPAGNE[R]	022-01000-00512
4	F88-50230-30297	4	SC-M05*23-03-B-ZP-BLK[R]	
3	A01-00000-08187	1	MAIN-HANDLEGX/COM[R]	
2	F88-50250-30297	2	SC-M05*25-03-B-ZP-BLK[R]	
1	G51-00300-06264	4	PLA-RUBFOOTRNBIG[R]	

MECHANICAL PARTS LIST				
PROJECT: P0380		DRAWN: R.AGOHO		DESCRIPTION: WOODBOX ASSEMBLY
MATERIAL: N/A		CHECKED: M.LEUNG		
FINISH: N/A		APPROVED: M.LEUNG	SIZE: A2	DRAWING NUMBER: 014-38043-72003
		DATE: 7/26/2004	SCALE: N T S	REV: A



We Hear You