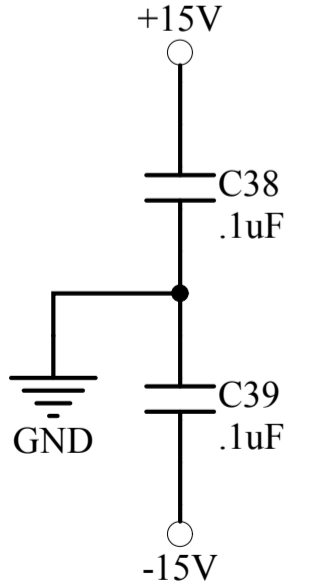
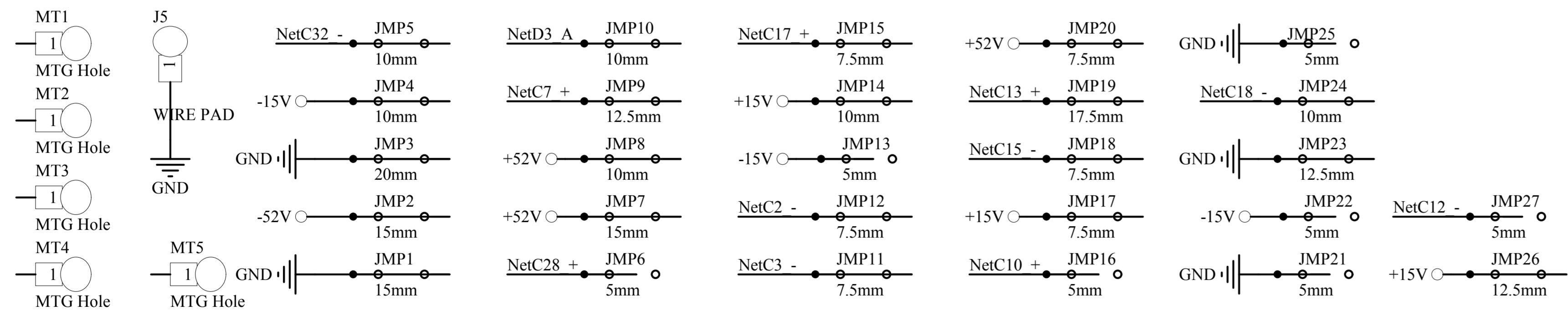
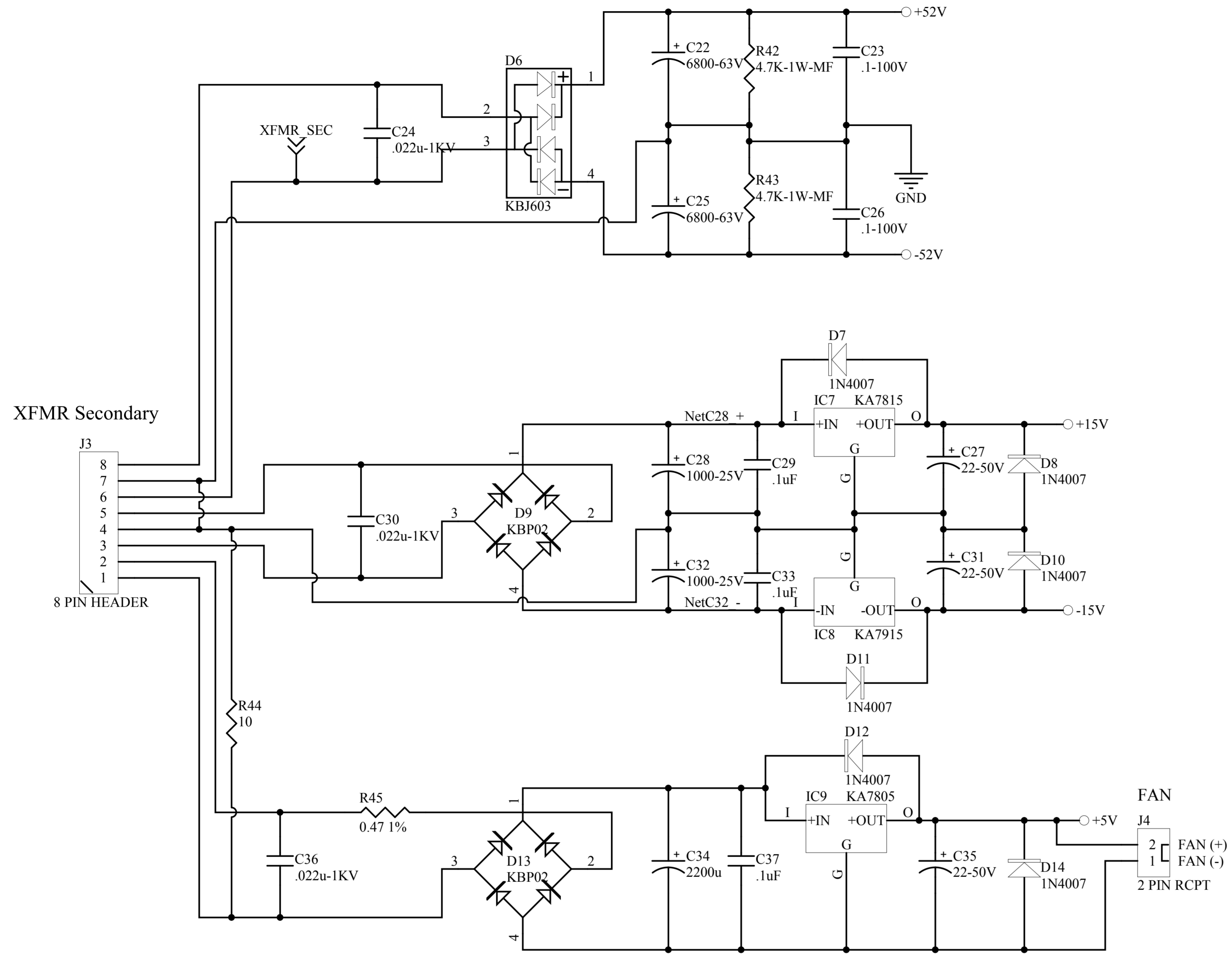


NOTE: Components marked with * require the following changes for B200 Combo

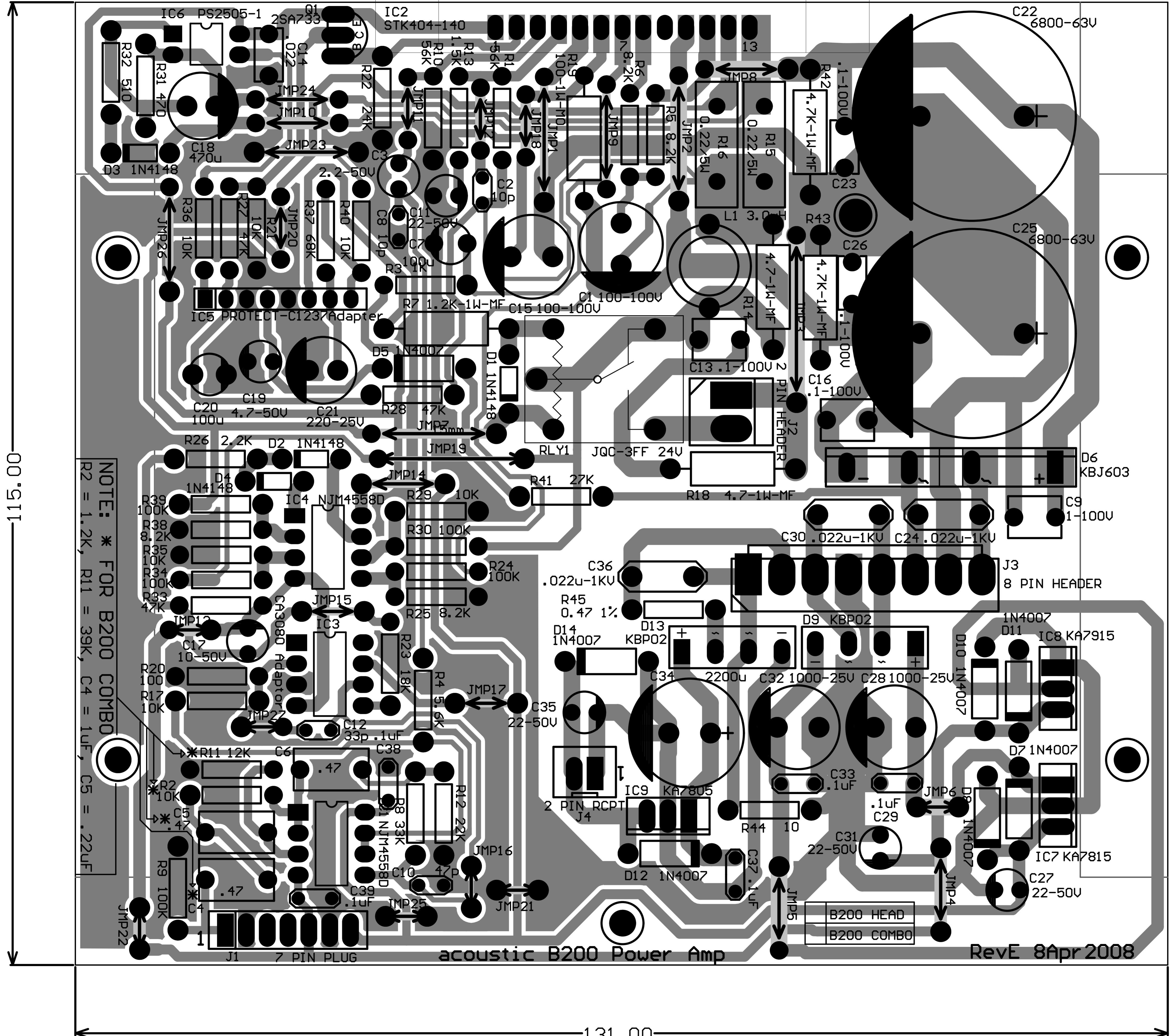
Ref Des	B200H	B200 Combo
R2	10K	1.2K 1RT1400122AQ
R11	12K	39K 1RT1400393AQ
C4	.47uF	1uF 1CB0000105AQ
C5	.47uF	.22uF 1CB0000224AQ



Title acoustic B200 Power Amplifier		
Size B	Number	Revision RevE
Date: 5/12/2009	Sheet 1 of 2	
File: C:\Documents and Settings\...\B200 Power Amplifier 8Apr2009-JA.SchDoc		



Title acoustic B200 Power Supply		
Size B	Number	Revision RevE
Date: 5/12/2009	Sheet 2 of 2	
File: C:\Documents and Settings\...\B200 Power Supply RevE 8Apr2009-JA.SchDoc		



NOTE: * FOR B200 COMBO
R2 = 1.2K, R11 = 39K, C4 = 1uF, C5 = .22uF

acoustic B200 Power Amp

RevE 8Apr 2008

115.00

131.00

B200 HEAD
B200 COMBO