

6

5

4

3

2

1

D

C

B

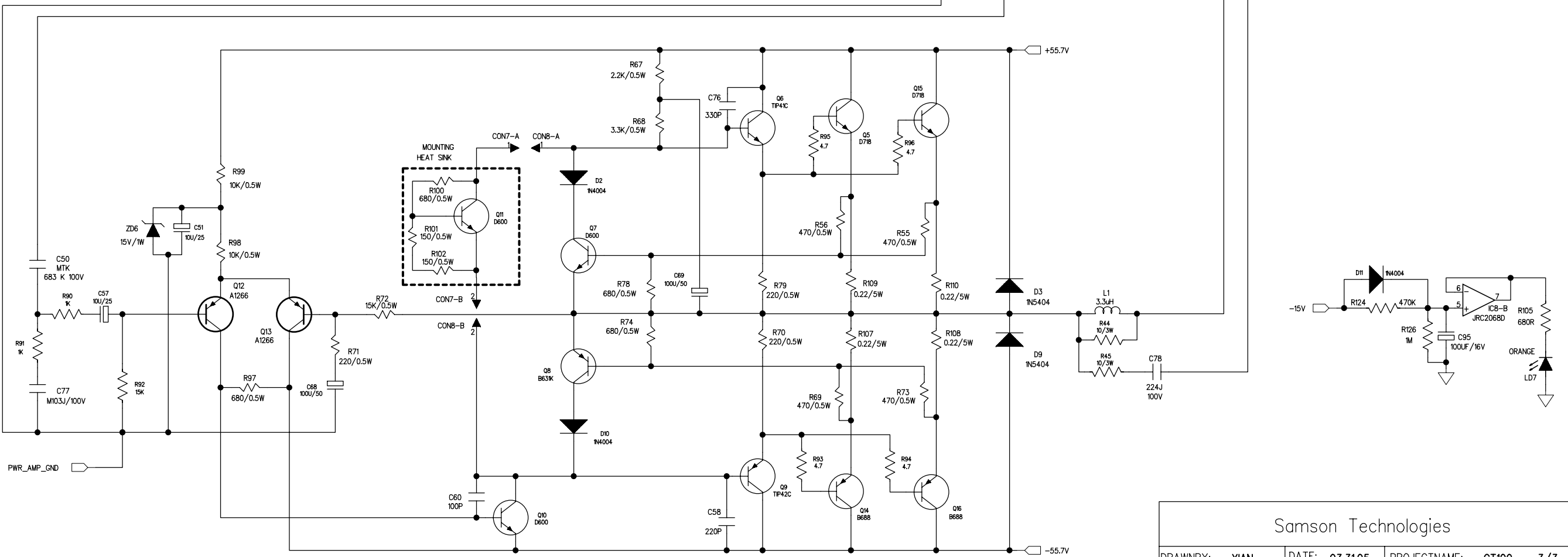
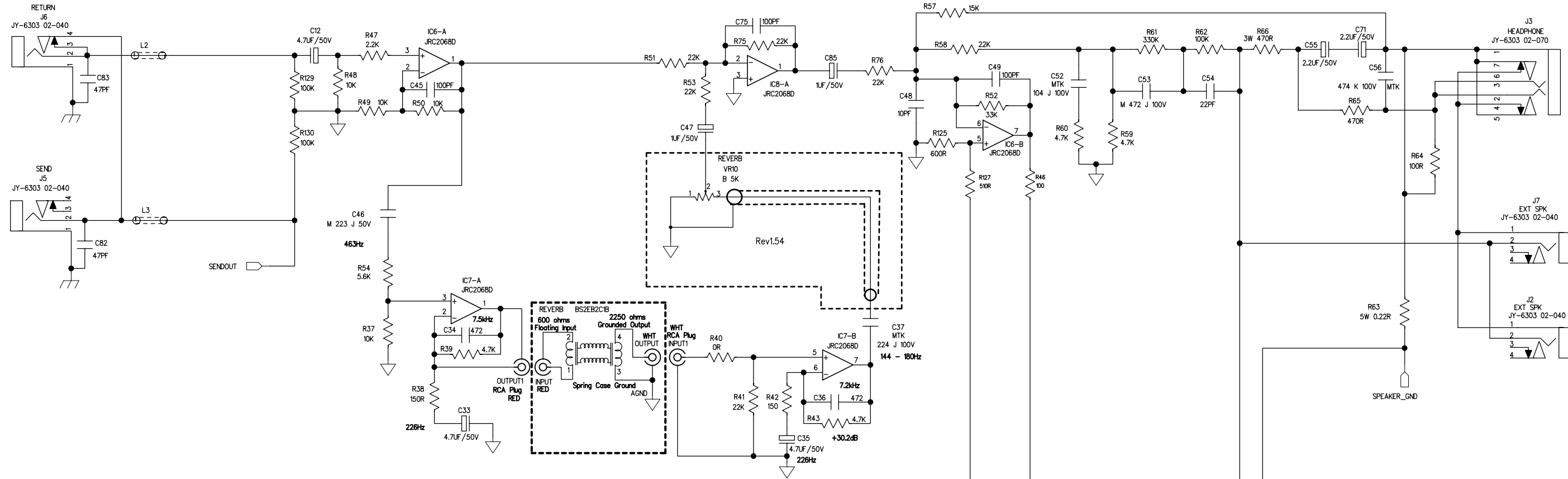
A

D

C

B

A



Samson Technologies

DRAWNBY: XIAN	DATE: 03.31.05	PROJECTNAME: GT100 3/3
CHKBY:	SCALE: A2	DRAWINGNAME: SAMSON No: V1.54

6

5

4

3

2

1

D

D

C

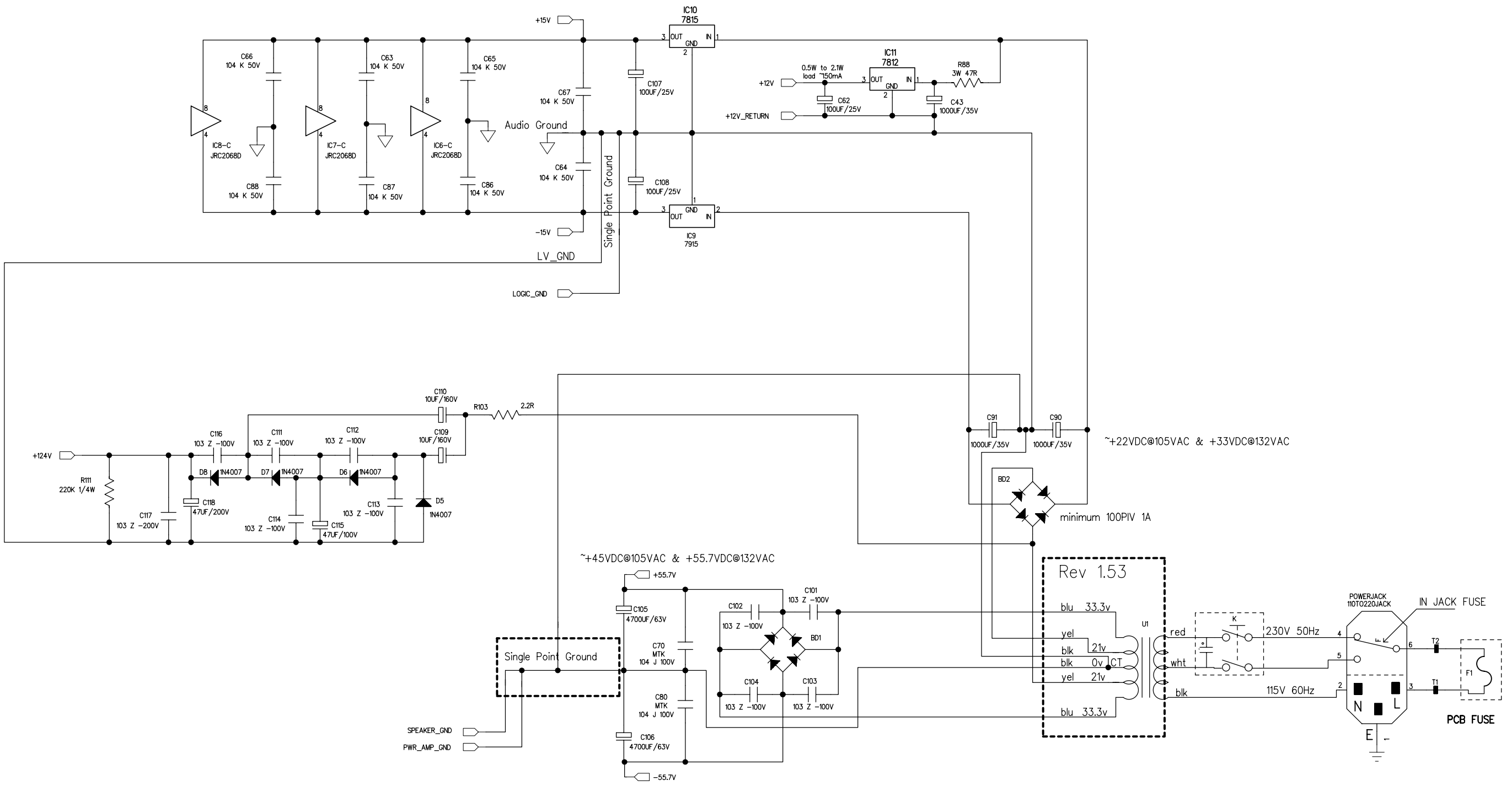
C

B

B

A

A



Samson Technologies			
DRAWNBY: XIAN	DATE: 03.31.05	PROJECTNAME: GT100	1/3
CHKBY:	SCALE: A2	DRAWINGNAME: SAMSON	No: V1.54