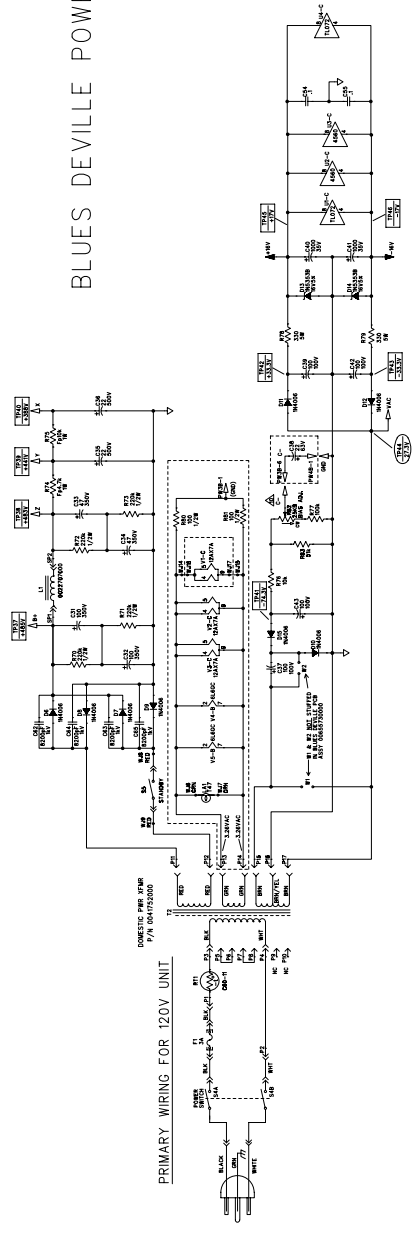


REV. DESCRIPTION DATE APPROVED			
1	A	PROG57/ED315014-DEC-04	LEL

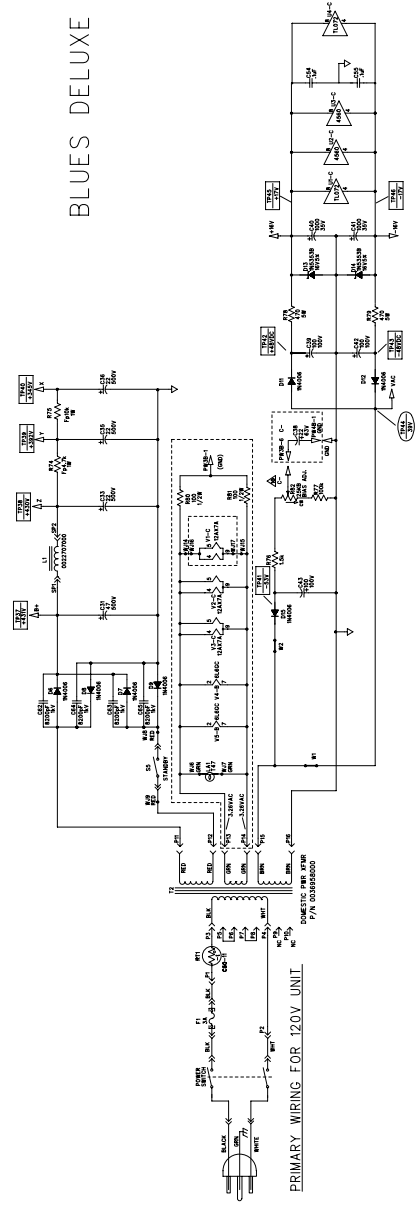
1 2 3 4 5 6 7 8

BLUES DEVILLE POWER SUPPLY



PRIMARY WIRING FOR 120V UNIT

BLUES DELUXE POWER SUPPLY



PRIMARY WIRING FOR 120V UNIT

THE COMPANY MAKES NO WARRANTY OR REPRESENTATION AS TO THE ACCURACY OF THE INFORMATION CONTAINED HEREIN. THE COMPANY SHALL NOT BE LIABLE FOR ANY DAMAGES, INCLUDING REASONABLE ATTORNEY'S FEES, ARISING FROM THE USE OF THIS INFORMATION.

DESIGNED BY: **MUSICAL INSTRUMENTS**
 CORONA, CA U.S.A.

DATE: _____
 APPROVED BY: _____
 DATE: _____

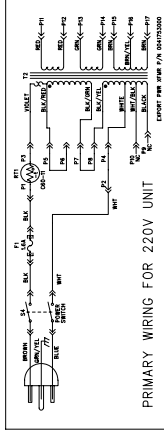
PROJECT: **BLUES DEVILLE/DEVILLE RESSIE**
 DRAWING NO: **0065561000**
 RELEASE DATE: **03-20-04** SHEET: **2** OF **4**

NOTES: SEE SHEET 1

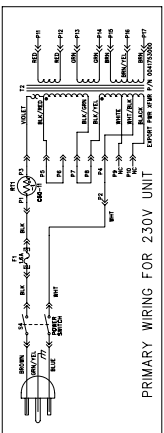
1 2 3 4 5 6 7 8

REVISIONS			
REV.	DESCRIPTION	DATE	APPROVED
A	PR665/FC315014-DEC-64		LEL

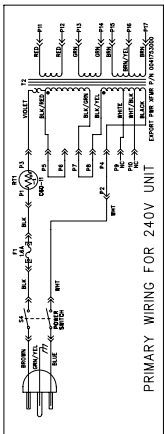
1 2 3 4 5 6 7 8



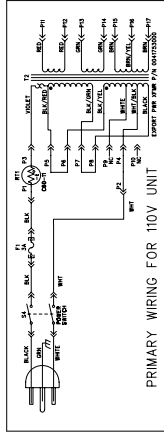
PRIMARY WIRING FOR 220V UNIT



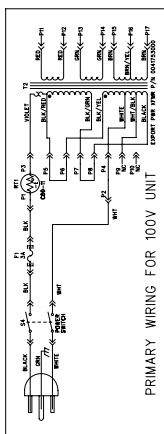
PRIMARY WIRING FOR 230V UNIT



PRIMARY WIRING FOR 240V UNIT

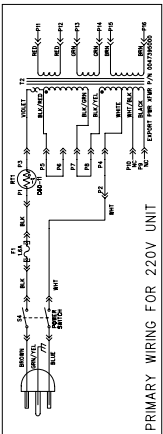


PRIMARY WIRING FOR 110V UNIT

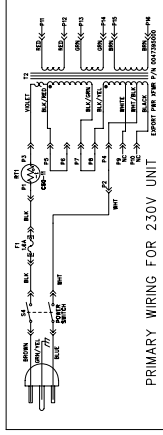


PRIMARY WIRING FOR 100V UNIT

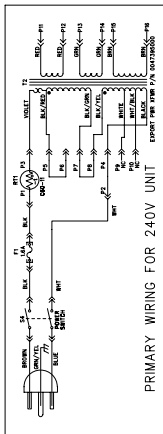
BLUES DEVILLE PRIMARY WIRING



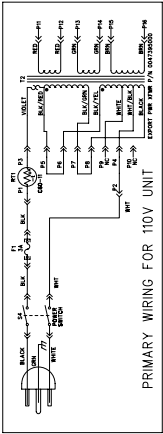
PRIMARY WIRING FOR 220V UNIT



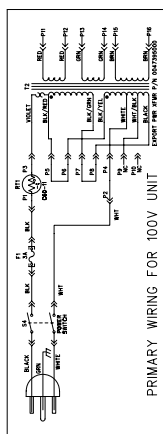
PRIMARY WIRING FOR 230V UNIT



PRIMARY WIRING FOR 240V UNIT



PRIMARY WIRING FOR 110V UNIT



PRIMARY WIRING FOR 100V UNIT

THE COMPANY SHALL BE HELD AS THE PROPERTY OF THE COMPANY AND ALL RIGHTS RESERVED. NO PART OF THIS DOCUMENT IS TO BE REPRODUCED OR TRANSMITTED IN ANY FORM OR BY ANY MEANS, ELECTRONIC OR MECHANICAL, INCLUDING PHOTOCOPYING, RECORDING, OR BY ANY INFORMATION STORAGE AND RETRIEVAL SYSTEM.

MUSICAL INSTRUMENTS
Corona, CA U.S.A.

BLUES DEVILLE/DEVILLE REISSUE

DATE: 0065561000

APPROVED BY: [Signature]

DATE: 0065561000

RELEASE DATE: 0-28-64

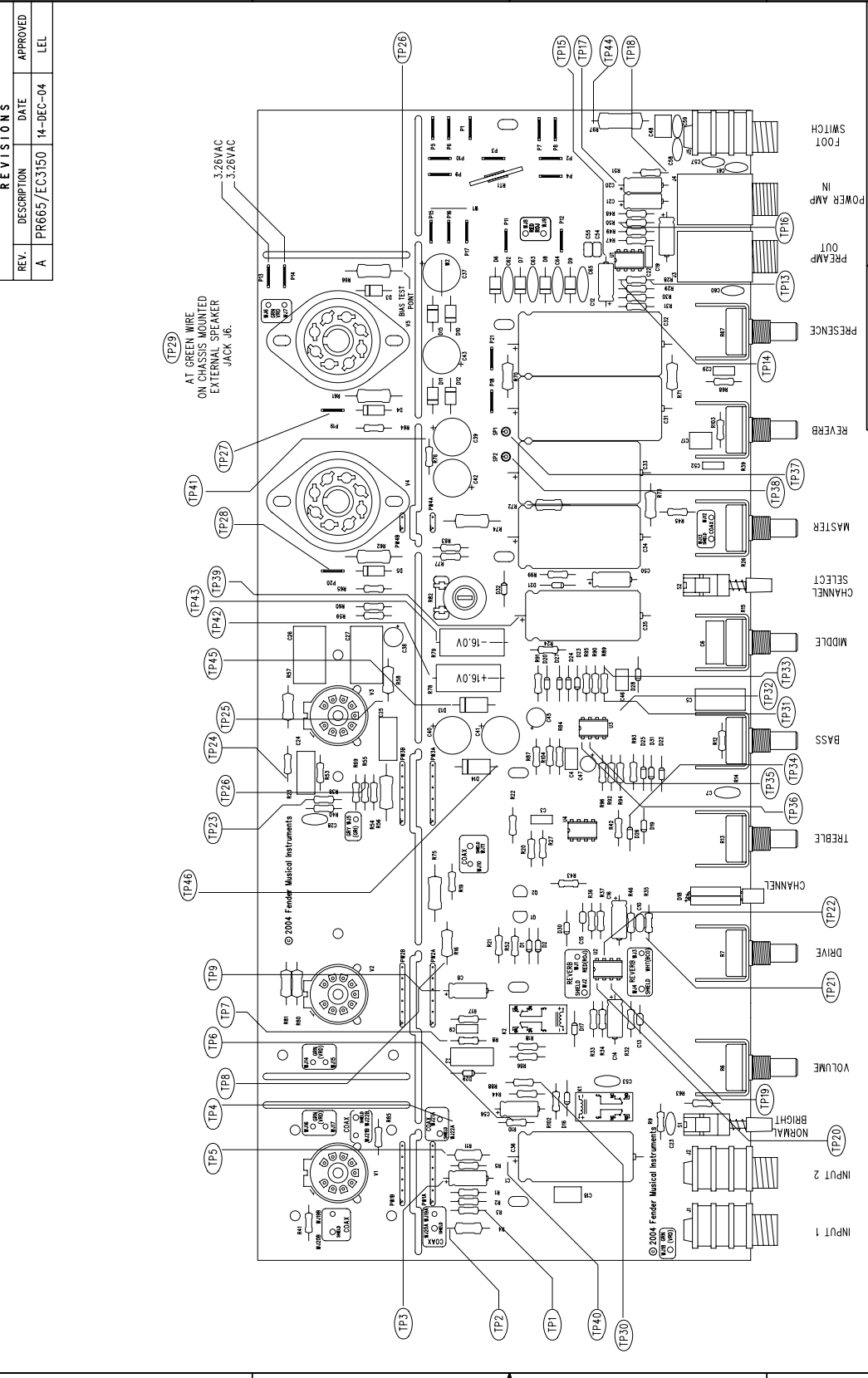
SHEET: 3 OF 4

NOTES: SEE PAGE 1.

BLUES DELUXE PRIMARY WIRING

1 2 3 4 5 6 7 8

REVISIONS			
REV.	DESCRIPTION	DATE	APPROVED
A	PR665/EC3150	14-DEC-04	LEL



MUSICAL INSTRUMENTS
Corona, CA U.S.A.

THIS DOCUMENT CONTAINS INFORMATION OF A PROPRIETARY NATURE TO FENDER MUSICAL INSTRUMENTS AND SHALL NOT BE REPRODUCED OR TRANSMITTED TO OTHERS WITHOUT AUTHORIZATION FROM FENDER MUSICAL INSTRUMENTS.

CHECKED BY: _____
DATE: _____

APPROVED BY: _____
DATE: _____

DRAWN: LORENZEN ENGR. LORENZEN
DATABASE FILE: Z66SP-PCB

TITLE: SERVICE DIAGRAM, COMBINED (PCB ASSY)
BLUES DELUXE/DEVILLE REISSUE

SIZE: C
DRAWING NUMBER: 006556100

REV. A
RELEASE DATE: 14-DEC-04
SHEET 4 OF 4

FILM/DB: SERVICE DIAGRAM
DATABASE: Z66SP-PCB DATE: 14-DEC-04

3. SEE PAGE 1 FOR NOTES AND TEST CONDITIONS
2. WIRES NOT SHOWN FOR CLARITY
1. INSULATION ON POWER AMP BREAKAWAY IS INSTALLED ON CHASSIS

NOTES: (UNLESS OTHERWISE NOTED)