



Service Manual



EUROLIVE F1220A

High-Performance, Active 125-Watt Monitor Speaker System with 12" Woofer, 1" Compression Driver and Feedback Filter

Specifications	2
PCB Schematic	3
Parts List	5
Exploded Drawing	15

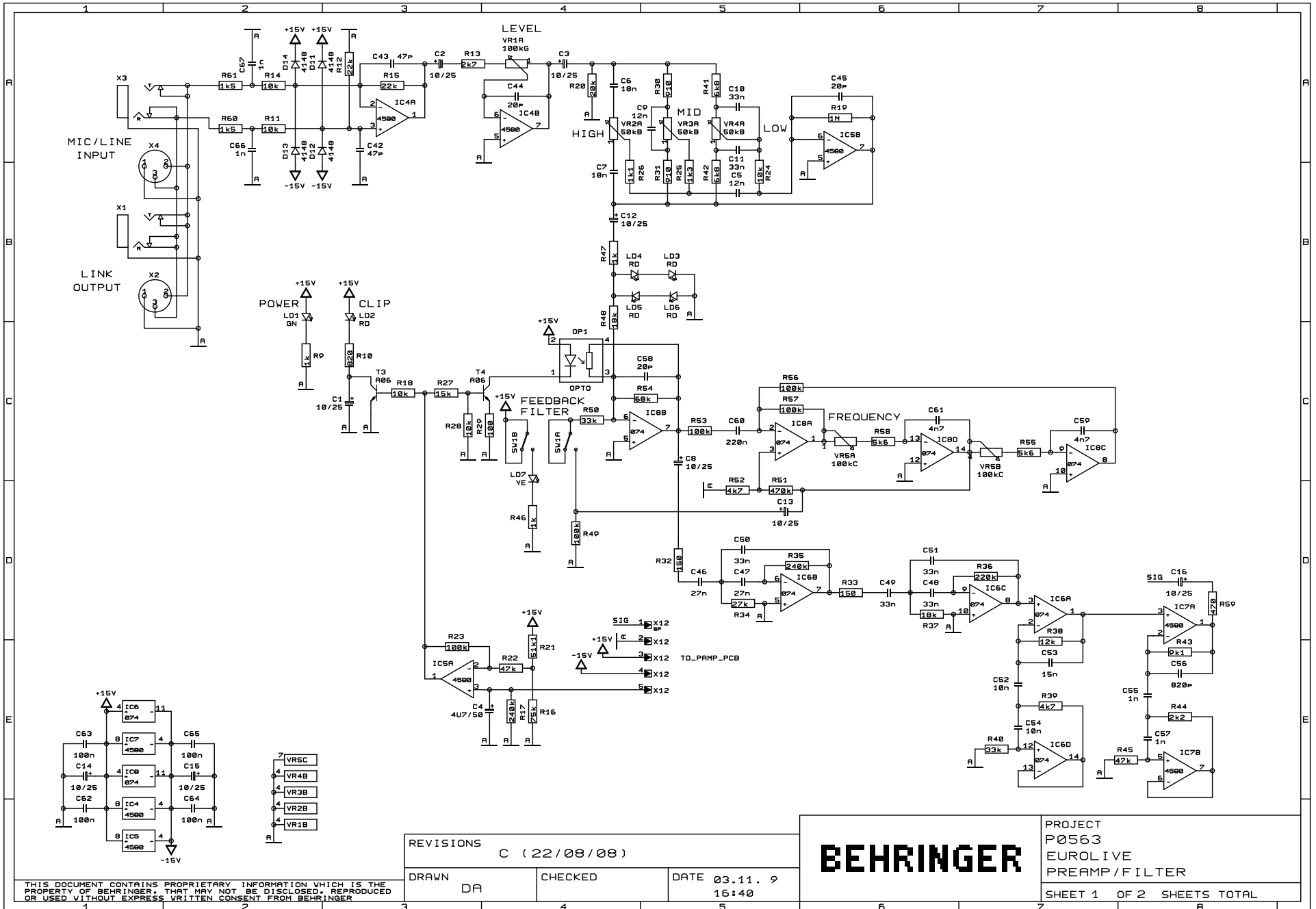
behringer.com



EUROLIVE F1220A

Specifications

- High-performance, 125-Watt, active monitor system for live and playback applications
- Exceptional sound quality, wide frequency bandwidth and dynamic range
- Adjustable feedback filter and integrated limiter for ultimate system control and speaker protection
- Ultra-low noise Mic/Line input with Volume control and peak LED
- Dedicated 3-band EQ for perfect sound shaping
- Powerful 12" long-excursion driver provides incredibly deep bass and acoustic power
- High-resolution 1" HF driver for exceptional high-frequency reproduction
- Proprietary horn design for ultra-wide sound dispersion
- Integrated 35 mm pole socket for stand mounting and use as PA system
- High-quality components and exceptionally rugged construction ensure long life
- Conceived and designed by BEHRINGER Germany



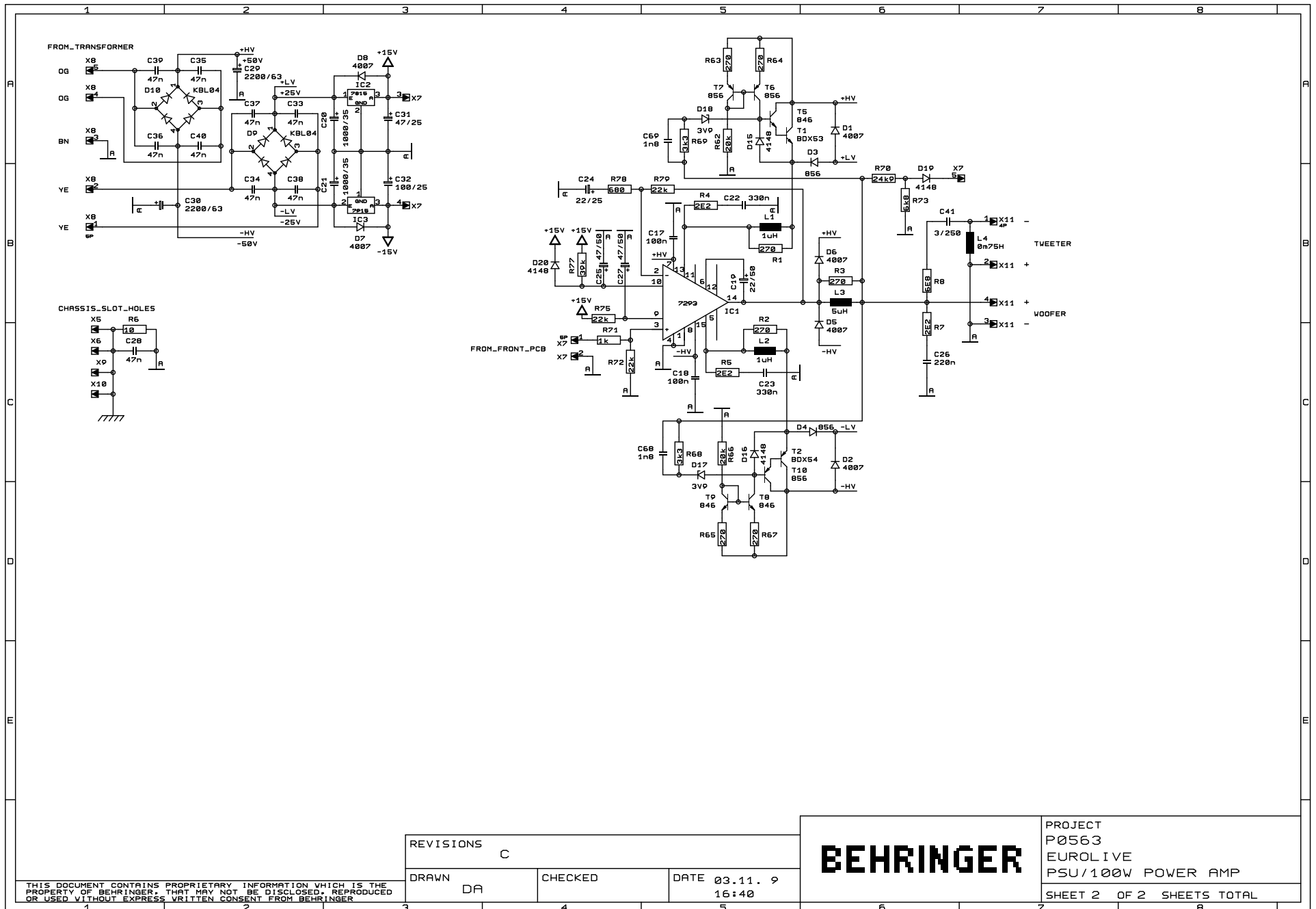
REVISIONS C (22/08/08)

DRAWN DA CHECKED DATE 03.11. 9 15:40

BEHRINGER

PROJECT P0563
EUROLIVE
PREAMP/FILTER
SHEET 1 OF 2 SHEETS TOTAL

THIS DOCUMENT CONTAINS PROPRIETARY INFORMATION WHICH IS THE PROPERTY OF BEHRINGER. THAT MAY NOT BE DISCLOSED, REPRODUCED OR USED WITHOUT EXPRESS WRITTEN CONSENT FROM BEHRINGER.



Assembly

	Quantity	Unit	Item	Description	Reference Designators	Notes
1	1.0000	Pcs	A05-56301-05561	PCB ASSY;P0563;PCB:01;MAIN;REV:C;HI;ROHS		
2	1.0000	Pcs	A05-56302-05563	PCB ASSY;P0563;PCB:02;POWER AMP;REV:C;HI;ROHS		

Cable

	Quantity	Unit	Item	Description	Reference Designators	Notes
1	0.0000	Pcs	A77-05037-00201	WIRE;L:50mm;AWG18;UL1672;BLK;ROHS		
2	1.0000	Pcs	A77-05037-79201	WIRE;L:50mm;ZEE;AWG18;UL1672;BLK;ROHS		
3	0.0000	Pcs	A77-08027-20208	WIRE;L:80mm;AWG18;UL1015;YE/G;ROHS		
4	1.0000	Pcs	A77-08027-92208	WIRE;L:80mm;ZEE;AWG18;UL1015;YE/G;ROHS		
5	1.0000	Pcs	A85-00100-15147	CABLE;P:3mm96;L:400mm/550mm;ZEE;SPECIAL10;ST/T;ROHS		
6	0.0000	Pcs	A85-00300-13722	CABLE;P:3mm96;L:400mm/550mm;SPECIAL10;ST/T;ROHS		
7	1.0000	Pcs	A76-15212-03119	CABL:AC-CORD;W/POLY;EU;ROHS		DOMAIN: EU
8	1.0000	Pcs	A76-15222-06417	CABL:AC-CORD;W/POLY;UL;ROHS		DOMAIN: UL
9	1.0000	Pcs	A76-15032-55649	CABL:AC-CORD;W/POLYBAG;JP;150cm;3-POLE;PSE;ROHS		DOMAIN: JP
10	1.0000	Pcs	A76-15042-05624	CABL:AC-CORD;W/POLY;UK;ROHS		DOMAIN: UK
11	0.0000	Pcs	A76-18050-06505	CABL:AC-CORD;SAA;3-P ISO;1.8M;PANYU;ROHS		DOMAIN: SAA
12	1.0000	Pcs	A76-18050-47490	CABL:AC-CORD;SAA;3-P ISO;1.8M;ROHS		DOMAIN: SAA
13	1.0000	Pcs	A76-15062-45714	AC-CORD;W/POLYBAG;150cm;CHINA;CCC;W/HE109B;ROHS		DOMAIN: CCC
14	1.0000	Pcs	A76-00000-05305	CABL:AC-CORD;3;BR;1500 MM;Plug + Connector:375+730;H05VV-F 3G0.75;ROHS		DOMAIN: BR
15	1.0000	Pcs	A76-00000-13573	CABL:AC-CORD;3;AR;1500 MM;Plug + Connector:321+730;H05VV-F 3G0.75;ROHS		DOMAIN: AR
16	0.0000	Pcs	A81-30030-56040	CABLE;L:300mm;P;2mm;POL:5;ROHS		PCB[P0563:01]
17	1.0000	Pcs	A81-30030-56840	CABLE;L:300mm;ZEE;P;2mm;ZEE;POL:5;ROHS	X12	PCB[P0563:01]

Circuit Protector

	Quantity	Unit	Item	Description	Reference Designators	Notes
1	1.0000	Pcs	B22-01513-12501	FUSE;1A25;250V;SLOW;H-TYPE;ROHS		DOMAIN: EU
2	1.0000	Pcs	B22-01513-25001	FUSE;2A5;250V;SLOW;H-TYPE;ROHS		DOMAIN: UL
3	1.0000	Pcs	B22-01513-25001	FUSE;2A5;250V;SLOW;H-TYPE;ROHS		DOMAIN: JP
4	1.0000	Pcs	B22-01513-12501	FUSE;1A25;250V;SLOW;H-TYPE;ROHS		DOMAIN: UK
5	1.0000	Pcs	B22-01513-12501	FUSE;1A25;250V;SLOW;H-TYPE;ROHS		DOMAIN: SAA
6	1.0000	Pcs	B22-01513-12501	FUSE;1A25;250V;SLOW;H-TYPE;ROHS		DOMAIN: CCC
7	1.0000	Pcs	B22-01513-12501	FUSE;1A25;250V;SLOW;H-TYPE;ROHS		DOMAIN: BR
8	1.0000	Pcs	B22-01513-12501	FUSE;1A25;250V;SLOW;H-TYPE;ROHS		DOMAIN: AR

Coil

	Quantity	Unit	Item	Description	Reference Designators	Notes
1	2.0000	Pcs	B30-01000-01743	COIL;AIR;1uH;P:10mm55;ROHS	L1,L2	PCB[P0563:02]
2	1.0000	Pcs	B30-05000-01741	COIL;AIR;5uH;P:11mm2;ROHS	L3	PCB[P0563:02]
3	1.0000	Pcs	B33-17500-03888	COIL;75uH;CORE SIZE:x 20mm;P:23mm;ROHS	L4	PCB[P0563:02]

Connector

	Quantity	Unit	Item	Description	Reference Designators	Notes
1	1.0000	Pcs	B95-19320-50829	CONN;XLR;POL:3;MALE;STRAIGHT;ZHENHUA DY-002H-02;ROHS	X2	PCB[P0563:01]
2	1.0000	Pcs	B95-19340-00050	CONN;XLR;POL:3;FEM;STRAIGHT;TYP5;DY-001H-02EP;ROHS	X4	PCB[P0563:01]

Diode

	Quantity	Unit	Item	Description	Reference Designators	Notes
1	4.0000	Pcs	C11-09014-14802	DIODE;LL4148;LL34;TEMIC OR FC;ROHS	D11-D14	PCB[P0563:01]
2	6.0000	Pcs	C11-03014-00700	DIODE;1N4007;DO41;ROHS	D1,D2,D5-D8	PCB[P0563:02]
3	4.0000	Pcs	C11-09014-14802	DIODE;LL4148;LL34;TEMIC OR FC;ROHS	D15,D16,D19,D20	PCB[P0563:02]
4	2.0000	Pcs	C12-14200-03903	DIODE;ZMM03V9;1206;ROHS	D17,D18	PCB[P0563:02]
5	2.0000	Pcs	C13-23250-85652	DIODE;MR856;ON-SEMI;ROHS	D3,D4	PCB[P0563:02]

Hardware

	Quantity	Unit	Item	Description	Reference Designators	Notes
1	25.0000	Pcs	F80-11015-01226	NAIL;1.12*15mm;18G FIN;GALVAN.;ROHS		
2	180.0000	Pcs	F80-11025-33087	NAIL;1.12*25mm;18G FIN;GALVAN.;ROHS		
3	50.0000	Pcs	F80-12010-33088	STAPLE;CROWN10;LL:10mm;GALVANI;ROHS		
4	2.0000	Pcs	F83-04000-00021	CABLE TIE;NYLON;4in;COLOR:BLK;ROHS		
5	0.6000	G	F84-03000-01090	SCREWLOCK;SPEC.NO:01090;ROHS		
6	1.0000	Pcs	F85-03000-44003	HEX.NUT;THREAD:3mm;CR(III);ROHS		
7	5.0000	Pcs	F85-04000-44001	HEX.NUT;INNER DIA:4mm;ROHS		USE FOR TRANSFORMER/GROUND CONNECTION
8	14.0000	Pcs	F85-05000-21001	T-NUT;INNER DIA:5mm;W/PRONG;ROHS		USE FOR SPEAKER/RUBBER FOOTING CONNECTION
9	4.0000	Pcs	F85-06000-21007	T-NUT;INNER DIA:6mm;W/PRONG;BK;ROHS		
10	2.0000	Pcs	F85-09520-44755	HEX.NUT;JACK;3/8in*9.5*2mm;NIC;ROHS		USE FOR PHONE JACK CONNECTION
11	4.0000	Pcs	F88-30050-30291	SC;M3*5mm;HEAD:PAN;INSERT;SLV;ROHS		USE FOR PAMP ASM CONNECTION
12	2.0000	Pcs	F88-30060-30297	SC;M3*6mm;HEAD:PAN;BLK;ROHS		USE FOR PCB FRONT PANEL ASM CONNECTION
13	2.0000	Pcs	F88-30070-30297	SC;M3*7mm;HEAD:PAN;BLK;ROHS		USE FOR BRACKET CLIP CONNECTION
14	4.0000	Pcs	F88-30080-30247	SC;BT3*8mm;HEAD:PAN;BLK;ROHS		USE TO CONNECT THE XLR(MALE/FEMALE) IN THE PANEL
15	2.0000	Pcs	F88-30090-30297	SC;M3*9mm;HEAD:PAN;BLK;ROHS		
16	1.0000	Pcs	F88-30120-30297	SC;M3*12mm;HEAD:PAN;BLK;ROHS		
17	26.0000	Pcs	F88-30130-50217	SC;A3*13mm;HEAD:FLAT;BLK/ZNC;ROHS		USE FOR PLASTIC CORNER CONNECTION
18	4.0000	Pcs	F88-40080-30297	SC;M4*8mm;HEAD:PAN;BLK/ZNC;ROHS		
19	1.0000	Pcs	F88-40100-20291	SC;M4*10mm;HEAD:BIND;SLV;ROHS		USE FOR GROUND CONNECTION
20	4.0000	Pcs	F88-40100-30297	SC;M4*10mm;HEAD:PAN;BLK/ZNC;ROHS		USE FOR TRANSFORMER CONNECTION
21	4.0000	Pcs	F88-40160-30217	SC;A4*16mm;HEAD:PAN;BLK/ZNC;ROHS		USE FOR TWEETER ASM CONNECTION
22	9.0000	Pcs	F88-40190-40217	SC;A4*19mm;HEAD:TRUSS;BLK;ROHS		USE FOR FRONT PANEL ASM CONNECTION
23	6.0000	Pcs	F88-40191-20217	SC;A4*19mm;HEAD:PAN WASHER;ROHS		USE GRILL CONNECTION
24	4.0000	Pcs	F88-50220-30297	SC;M5*22mm;HEAD:PAN;BLK/ZNC;ROHS		USE FOR RUBBER FOOTING CONNECTION
25	10.0000	Pcs	F88-50250-30297	SC;M5*25mm;HEAD:PAN;BLK;ROHS		
26	4.0000	Pcs	F88-60350-50297	SC;M6*35mm;HEAD:FLAT;BLK/ZNC;ROHS		USE FOR METAL FOOTSTAND CONNECTION
27	1.0000	Pcs	F89-13000-00002	INS.SHEET;GLIMMER;TO3886;ROHS		
28	2.0000	Pcs	F89-43000-00002	INS.SHEET;GLIMMER;TO220;ROHS		
29	1.0000	Pcs	F91-02030-05793	SILICA GEL;MASS:30g;30QB-BB2001-4;ROHS		
30	0.0800	M	F95-01000-43217	SHRT TUBE;INNER DIA:1mm;ROHS		

	Quantity	Unit	Item	Description	Reference Designators	Notes
31	0.2000	M	F95-04000-01098	SHRT TUBE;INNER DIA:4mm0;ROHS		
32	3.0000	Pcs	F96-10300-60053	WASHER;PL;DIM:3*6*0mm5;CR(III);ROHS		
33	4.0000	Pcs	F96-10400-80105	WASHER;PL;DIM:4*8*1mm;ROHS		USE FOR TRANSFORMER CONNECTION
34	2.0000	Pcs	F96-10961-30505	WASHER;PL;DIM:9.6*13*0mm5;NIC;ROHS		USE FOR PHONE JACK CONNECTION
35	5.0000	Pcs	F96-40300-60100	WASHER;TE;EXT;DIM:3*6*1mm0;ROHS		USE FOR BRACKET CLIP CONNECTION
36	4.0000	Pcs	F96-40400-70170	WASHER;TE;EXT;DIM:4*7*1mm7;ROHS		USE FOR TRANSFORMER CONNECTION
37	1.0000	Pcs	F97-00100-11384	FOAM SHEET;LEFT ACOUSTICAL FOAM;P0287;REV:A;ROHS		
38	3.0000	Pcs	F98-04400-27886	BUSHING;MINIATURE;NYLON;ROHS		
39	1.0000	G	F84-01800-09286	THERM-GREASE;COLOR:WHT;ROHS		PCB[P0563:02]

IC

	Quantity	Unit	Item	Description	Reference Designators	Notes
1	2.0000	Pcs	C73-31007-40514	IC;OPAMP;TL074;SOP;ST;ROHS	IC6,IC8	PCB[P0563:01]
2	3.0000	Pcs	C73-59458-00508	IC;OPAMP;NJM4580;SOP;ROHS	IC4,IC5,IC7	PCB[P0563:01]
3	1.0000	Pcs	C61-43729-36315	IC;P-AMP;TDA7293;MULTIWATT-15;ROHS	IC1	PCB[P0563:02]
4	1.0000	Pcs	C77-15107-03110	VOLT.REG;7815F;TO220;FULLPACK;ROHS	IC2	PCB[P0563:02]
5	1.0000	Pcs	C77-15207-03110	VOLT.REG;7915F;TO220;FULLPACK;ROHS	IC3	PCB[P0563:02]

Led

	Quantity	Unit	Item	Description	Reference Designators	Notes
1	1.0000	Pcs	E10-53565-00588	LED HIB;3mm ROUND;GN;ROHS	LD1	PCB[P0563:01]
2	1.0000	Pcs	E10-57630-05113	LED HIB;3mm ROUND;FLAT HEAD;WC;RD;ROHS		PCB[P0563:01]
3	1.0000	Pcs	E10-59585-00592	LED HIB;3mm ROUND;YE;ROHS	LD7	PCB[P0563:01]
4	5.0000	Pcs	E12-57630-00590	LED;3mm ROUND;RD;ROHS	LD2-LD6	PCB[P0563:01]

Manual

	Quantity	Unit	Item	Description	Reference Designators	Notes
1	1.0000	Pcs	A50-56333-00001	MANUAL;P0563;USER MANUAL;EN;PAPER:70g;REV:001;ROHS		
2	1.0000	Pcs	A56-00030-72320	SERVICEINFORMATION SHEET;ROHS		
3	1.0000	Pcs	A57-00003-12001	PRODUCT LEAFLET;2008 CATALOG;ROHS		
4	1.0000	Pcs	A50-56331-00001	MANUAL;P0563;USER MANUAL;EU;PAPER:70g;REV:001;ROHS		DOMAIN: EU
5	1.0000	Pcs	A50-56334-00001	MANUAL;P0563;USER MANUAL;DE;PAPER:70g;REV:001;ROHS		DOMAIN: EU
6	1.0000	Pcs	A50-56331-00001	MANUAL;P0563;USER MANUAL;EU;PAPER:70g;REV:001;ROHS		DOMAIN: UL
7	1.0000	Pcs	A50-56334-00001	MANUAL;P0563;USER MANUAL;DE;PAPER:70g;REV:001;ROHS		DOMAIN: UL
8	1.0000	Pcs	A50-56332-00001	MANUAL;P0563;USER MANUAL;JA;PAPER:70g;REV:001;ROHS		DOMAIN: JP
9	1.0000	Pcs	A52-00023-56402	WARRANTY CARD;JPN;V:002;ROHS		DOMAIN: JP
10	1.0000	Pcs	A50-56331-00001	MANUAL;P0563;USER MANUAL;EU;PAPER:70g;REV:001;ROHS		DOMAIN: UK
11	1.0000	Pcs	A50-56334-00001	MANUAL;P0563;USER MANUAL;DE;PAPER:70g;REV:001;ROHS		DOMAIN: UK
12	1.0000	Pcs	A50-56331-00001	MANUAL;P0563;USER MANUAL;EU;PAPER:70g;REV:001;ROHS		DOMAIN: SAA
13	1.0000	Pcs	A50-56334-00001	MANUAL;P0563;USER MANUAL;DE;PAPER:70g;REV:001;ROHS		DOMAIN: SAA
14	1.0000	Pcs	A50-56330-20001	MANUAL;P0563;USER;ZH;PAPER:70g;REV:001;ROHS		DOMAIN: CCC
15	1.0000	Pcs	A50-56331-00001	MANUAL;P0563;USER MANUAL;EU;PAPER:70g;REV:001;ROHS		DOMAIN: BR
16	1.0000	Pcs	A50-56334-00001	MANUAL;P0563;USER MANUAL;DE;PAPER:70g;REV:001;ROHS		DOMAIN: BR
17	1.0000	Pcs	A50-56331-00001	MANUAL;P0563;USER MANUAL;EU;PAPER:70g;REV:001;ROHS		DOMAIN: AR
18	1.0000	Pcs	A50-56334-00001	MANUAL;P0563;USER MANUAL;DE;PAPER:70g;REV:001;ROHS		DOMAIN: AR

Metal Part

	Quantity	Unit	Item	Description	Reference Designators	Notes
1	1.0000	Pcs	A63-00300-13240	METAL;HEATSINK;P0563;REV:C;ROHS		
2	2.0000	Pcs	A65-00100-08220	METAL;BRACKET LR;P0563;REV:A;ROHS		
3	1.0000	Pcs	A65-00200-01677	METAL;BELT;GX-SERIES;REV:B;ROHS		
4	1.0000	Pcs	A65-00200-13653	METAL;FOOTSTAND;XVP;REV:B;ROHS		
5	1.0000	Pcs	A65-00400-13241	METAL;BRACKET CLIP;I00273P;REV:D;ROHS		
6	2.0000	Pcs	A65-04700-04125	METAL;HANDLE FIX		
7	1.0000	Pcs	J00-00100-14299	METAL;SIDE PANEL;P0563;C001;ROHS		
8	1.0000	Pcs	J02-00200-13060	METAL;FRONT PANEL;P0563;D002;ROHS		USE TO PROTECT THE PCB AND ITS ACCESSORIES
9	1.0000	Pcs	A65-00200-15627	METAL;GRILL;P0563;REV:B;ROHS		DOMAIN: EU
10	1.0000	Pcs	A65-00200-15627	METAL;GRILL;P0563;REV:B;ROHS		DOMAIN: UL
11	1.0000	Pcs	A65-00200-15627	METAL;GRILL;P0563;REV:B;ROHS		DOMAIN: JP
12	1.0000	Pcs	A65-00200-15627	METAL;GRILL;P0563;REV:B;ROHS		DOMAIN: UK
13	1.0000	Pcs	A65-00200-15627	METAL;GRILL;P0563;REV:B;ROHS		DOMAIN: SAA
14	1.0000	Pcs	A65-00200-15627	METAL;GRILL;P0563;REV:B;ROHS		DOMAIN: CCC
15	1.0000	Pcs	A65-00200-15627	METAL;GRILL;P0563;REV:B;ROHS		DOMAIN: BR
16	1.0000	Pcs	A65-00200-15627	METAL;GRILL;P0563;REV:B;ROHS		DOMAIN: AR

Packaging Part

	Quantity	Unit	Item	Description	Reference Designators	Notes
1	1.0000	Pcs	G28-20090-14010	PE BAG;SIZE:9in*14in;W/WARNING;ROHS		
2	1.0000	Pcs	G28-20330-44014	PE BAG;SIZE:33*44IN;W/WARNING;ROHS		
3	1.0000	Pcs	G34-00100-10663	PULP LEFT;P0563;REV:A;ROHS		
4	1.0000	Pcs	G34-00200-13575	PULP RIGHT;P0563;REV:B;ROHS		
5	1.0000	Pcs	I40-00100-10661	MAST.CART.;P0563;A001;ROHS		
6	1.0000	Pcs	I58-03900-04845	TAG;P0563;08PP;W/CORD 15cm;V039;ROHS		

Pcbs

	Quantity	Unit	Item	Description	Reference Designators	Notes
1	1.0000	Pcs	G40-56301-04325	PCB;P0563;PCB:01;MAIN;REV:C;ROHS	P1	PCB[P0563:01]
2	1.0000	Pcs	G40-56302-04326	PCB;P0563;PCB:02;POWER AMP;REV:C;ROHS	P2	PCB[P0563:02]

Plastic Part

	Quantity	Unit	Item	Description	Reference Designators	Notes
1	4.0000	Pcs	G51-00200-02403	FEET;SIZE:37mm5*15mm;COLOR:BLK;RUBBER;REV:B;ROHS		USE AS STAND AND PROTECT THE SURFACE OF THE WOOD
2	1.0000	Pcs	G52-00100-08904	PLASTIC;POTKNOB 10;I0006A;W/ WHITE CAP;REV:A;ROHS		
3	1.0000	Pcs	G52-00100-12476	PLASTIC;POTKNOB 10;I0006A;W/ 288C CAP;REV:A;ROHS		
4	3.0000	Pcs	G52-00100-12477	PLASTIC;POTKNOB 10;I0006A;W/ 289C CAP;REV:A;ROHS		
5	1.0000	Pcs	G52-00200-12478	PLASTIC;SWITCH KNOB;I00276P;430C;REV:B;ROHS		
6	1.0000	Pcs	G58-00100-02166	GASKET;SPEAKER;5INCH;REV:A;ROHS		
7	2.0000	Pcs	G58-00100-08341	PLASTIC;CORNER LEFT;I00277P;REV:A;ROHS		
8	2.0000	Pcs	G58-00100-08342	PLASTIC;CORNER RIGHT;I00278P;REV:A;ROHS		USE TO PROTECT THE ELECTONIC PART IN THE SIDE PANEL
9	1.0000	Pcs	G58-00200-01081	HANDLE BELT;GX HANDLE;REV:B;ROHS		
10	4.0000	Pcs	G58-00200-02167	GASKET;SPEAKER;12INCH;REV:B;ROHS		
11	1.0000	Pcs	G58-00500-03533	HORN 08;BA-SERIES;BLACK;REV:E;ROHS		
12	2.0000	Pcs	G58-40100-04229	HANDLE FIXATION COVER;GX HANDL;ROHS		
13	2.0000	Pcs	G58-54100-12083	CORNER;BX3000T (NO 6);REV:A;ROHS		USE TO PROTECT THE ELECTONIC PART IN THE SIDE PANEL
14	1.0000	Pcs	G58-00100-00912	PLASTIC;LOGO PLATE;I00414P;REV:A;ROHS		Match up A65-00200-15627 use, DOMAIN: EU
15	1.0000	Pcs	I68-00100-12222	PLASTIC;LOGO 04;EP918AB;PANTONE 108C;A001;ROHS		Match up A65-00200-15627 use, DOMAIN: EU
16	1.0000	Pcs	G58-00100-00912	PLASTIC;LOGO PLATE;I00414P;REV:A;ROHS		Match up A65-00200-15627 use, DOMAIN: UL
17	1.0000	Pcs	I68-00100-12222	PLASTIC;LOGO 04;EP918AB;PANTONE 108C;A001;ROHS		Match up A65-00200-15627 use, DOMAIN: UL
18	1.0000	Pcs	G58-00100-00912	PLASTIC;LOGO PLATE;I00414P;REV:A;ROHS		Match up A65-00200-15627 use, DOMAIN: JP
19	1.0000	Pcs	I68-00100-12222	PLASTIC;LOGO 04;EP918AB;PANTONE 108C;A001;ROHS		Match up A65-00200-15627 use, DOMAIN: JP
20	1.0000	Pcs	G58-00100-00912	PLASTIC;LOGO PLATE;I00414P;REV:A;ROHS		Match up A65-00200-15627 use, DOMAIN: UK
21	1.0000	Pcs	I68-00100-12222	PLASTIC;LOGO 04;EP918AB;PANTONE 108C;A001;ROHS		Match up A65-00200-15627 use, DOMAIN: UK
22	1.0000	Pcs	G58-00100-00912	PLASTIC;LOGO PLATE;I00414P;REV:A;ROHS		Match up A65-00200-15627 use, DOMAIN: SAA
23	1.0000	Pcs	I68-00100-12222	PLASTIC;LOGO 04;EP918AB;PANTONE 108C;A001;ROHS		Match up A65-00200-15627 use, DOMAIN: SAA
24	1.0000	Pcs	G58-00100-00912	PLASTIC;LOGO PLATE;I00414P;REV:A;ROHS		Match up A65-00200-15627 use, DOMAIN: CCC
25	1.0000	Pcs	I68-00100-12222	PLASTIC;LOGO 04;EP918AB;PANTONE 108C;A001;ROHS		Match up A65-00200-15627 use, DOMAIN: CCC

	Quantity	Unit	Item	Description	Reference Designators	Notes
26	1.0000	Pcs	G58-00100-00912	PLASTIC;LOGO PLATE;I00414P;REV:A;ROHS		Match up A65-00200-15627 use, DOMAIN: BR
27	1.0000	Pcs	I68-00100-12222	PLASTIC;LOGO 04;EP918AB;PANTONE 108C;A001;ROHS		Match up A65-00200-15627 use, DOMAIN: BR
28	1.0000	Pcs	G58-00100-00912	PLASTIC;LOGO PLATE;I00414P;REV:A;ROHS		Match up A65-00200-15627 use, DOMAIN: AR
29	1.0000	Pcs	I68-00100-12222	PLASTIC;LOGO 04;EP918AB;PANTONE 108C;A001;ROHS		Match up A65-00200-15627 use, DOMAIN: AR
30	3.0000	Pcs	G58-00200-12590	LED SPACER;NO:9;BLACK;REV:B;ROHS		PCB[P0563:01]
31	1.0000	Pcs	G58-34000-05117	HOUSING;LD-OPT01;DIM:8*10mm;ROHS		PCB[P0563:01]

Plug Socket

	Quantity	Unit	Item	Description	Reference Designators	Notes
1	1.0000	Pcs	G67-20103-01824	PLUG;AC SOCK;W FUSE/SNAP;10/A;RF-2004-C;ROHS		
2	2.0000	Pcs	G64-16211-03403	PLUG;JACKST;6mm3;RAD;CS;PJ-631HA-EP;ROHS	X1,X3	PCB[P0563:01]
3	1.0000	Pcs	G71-23105-04745	WAFER;P:2mm;POL:5;TYP:A2006WV;ROHS	X7	PCB[P0563:02]
4	1.0000	Pcs	G71-27104-04415	WAFER;P:3mm96;POL:4;TYP:JS1120;ROHS	X11	PCB[P0563:02]
5	1.0000	Pcs	G71-27105-04761	WAFER;P:3mm96;POL:5;TYP:JS1120;ROHS	X8	PCB[P0563:02]

Power Supply

	Quantity	Unit	Item	Description	Reference Designators	Notes
1	1.0000	Pcs	J65-95639-02030	TRAFO;EI;P0563;EU;(N.H. EI0266(R1L));ROHS		DOMAIN: EU
2	1.0000	Pcs	J65-95635-04780	TRAFO;EI;P0563;UL;(N.H.);R1L;ROHS		DOMAIN: UL
3	1.0000	Pcs	J65-95637-02019	TRAFO;EI;P0563;JP;(N.H. EI0268(R1L));ROHS		DOMAIN: JP
4	1.0000	Pcs	J65-95639-02030	TRAFO;EI;P0563;EU;(N.H. EI0266(R1L));ROHS		DOMAIN: UK
5	1.0000	Pcs	J65-95639-02030	TRAFO;EI;P0563;EU;(N.H. EI0266(R1L));ROHS		DOMAIN: SAA
6	1.0000	Pcs	J65-95639-02030	TRAFO;EI;P0563;EU;(N.H. EI0266(R1L));ROHS		DOMAIN: CCC
7	1.0000	Pcs	J65-95639-02030	TRAFO;EI;P0563;EU;(N.H. EI0266(R1L));ROHS		DOMAIN: BR
8	1.0000	Pcs	J65-95639-02030	TRAFO;EI;P0563;EU;(N.H. EI0266(R1L));ROHS		DOMAIN: AR

Raw Material

	Quantity	Unit	Item	Description	Reference Designators	Notes
1	1.5000	G	E41-50088-50456	HOTMELT;ZL;HS-88A;ROHS		
2	0.0600	G	E41-60000-09832	GLUE;ROHS		
3	15.0000	G	E41-60038-50449	HOTMELT;HEN-FENG;HS-38;ROHS		
4	0.1300	KG	E41-60103-33085	GLUE;WOODEN;SY103;ROHS		
5	0.2300	KG	E41-61313-50466	GLUE;GU-QIANG;GQ-008;ROHS		
6	0.0250	KG	E44-13005-33084	PAINT;BLACK;S-3005;ROHS		
7	1.0E-4	KG	E48-30100-09267	EPOXY;DP-100 PLUS;TRANSPARENT;ROHS		PCB[P0563:01]
8	1.0E-4	KG	E48-30270-05114	EPOXY;DP-270;BLACK;ROHS		PCB[P0563:01]
9	0.0020	Pcs	E64-01000-09284	MIXING NOZZLE;TO PLACE DP-270;ROHS		PCB[P0563:01]
10	0.6000	G	E41-60268-50457	GLUE;SUNYES;820;ROHS		PCB[P0563:02]
11	2.5000	ml	E41-70737-01808	SEALANT;DOW-CORNING 737;TRANSLUCENT WHITE;ROHS		PCB[P0563:02]

Potentiometer

	Quantity	Unit	Item	Description	Reference Designators	Notes
1	3.0000	Pcs	I03-85245-04481	POT;50KB;MO;30MM;W/ CC;HHT;40-100gf;TOPRO;ROHS	VR2-VR4	PCB[P0563:01]
2	1.0000	Pcs	I03-87951-03943	POT;100KW;MO;30MM;W/O CC;40-100gf;TOPROOT;ROHS	VR1	PCB[P0563:01]
3	1.0000	Pcs	I03-88351-04274	POT;100KC;ST;30MM;W/O CC;HT;40-100gf;TOPROOT;ROHS	VR5	PCB[P0563:01]

Speaker Part

	Quantity	Unit	Item	Description	Reference Designators	Notes
1	1.0000	Pcs	H71-60250-48914	TWEETER;25T20A8;EUROLIVE;BTW08004058A;ROHS		
2	1.0000	Pcs	H77-60120-04370	WOOFER;12inch;12W100A8;8ohm;100W;ZEE;ROHS		

Switch

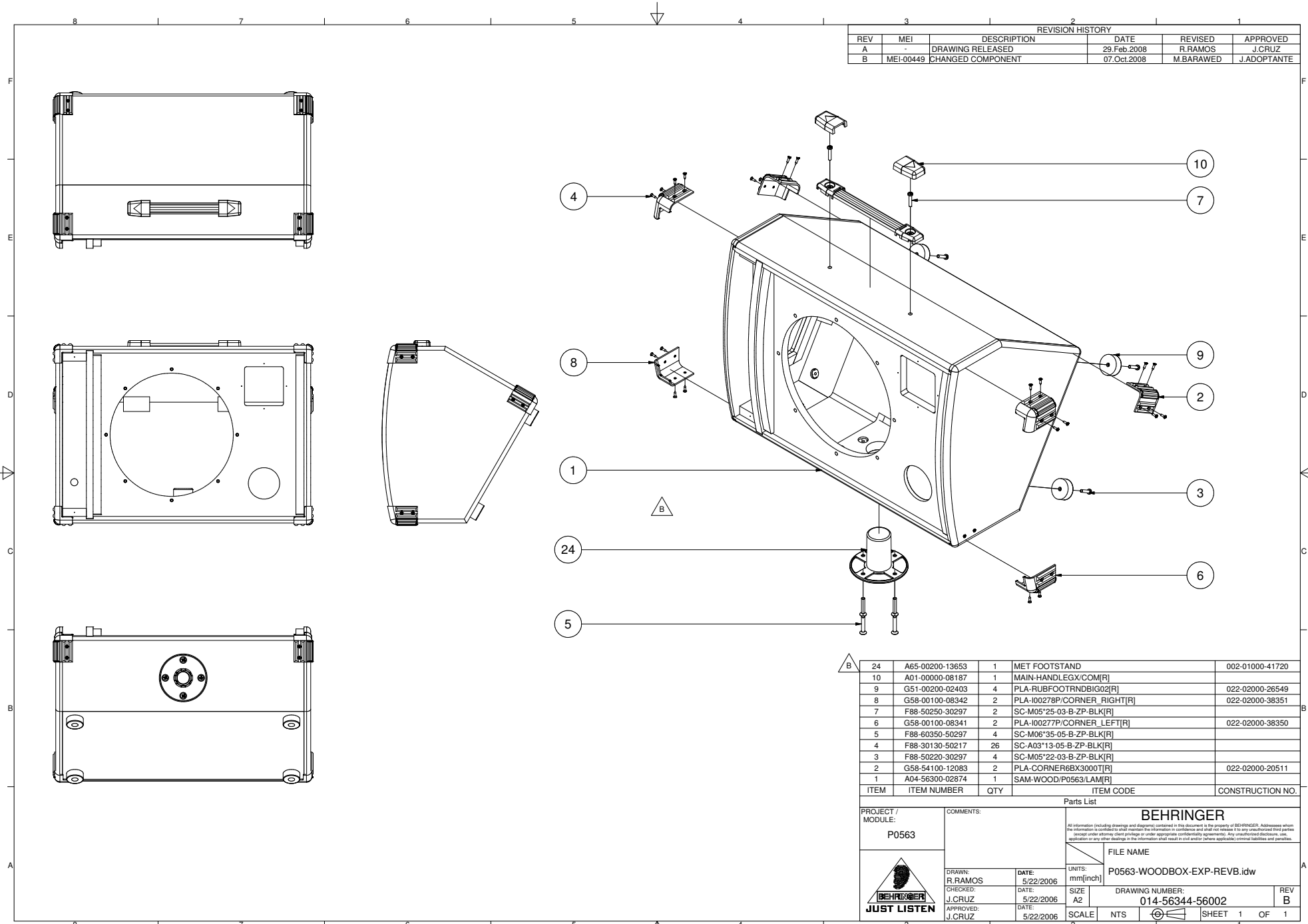
	Quantity	Unit	Item	Description	Reference Designators	Notes
1	1.0000	Pcs	I84-02211-00140	SWITCH;ROCKER;POL:1;TOG:1;UL94V0;S;SOLTEAM;ROHS		
2	1.0000	Pcs	I77-03422-02778	SWITCH;RDL;POL:2;PCB;ROHS	SW1	PCB[P0563:01]

Transistor

	Quantity	Unit	Item	Description	Reference Designators	Notes
1	2.0000	Pcs	J73-08000-61703	TRANSISTOR;MBTA06;SOT;ROHS	T3,T4	PCB[P0563:01]
2	1.0000	Pcs	J71-00000-24503	TRANSISTOR;BDX53C;TO-220AB;ROHS	T1	PCB[P0563:02]
3	1.0000	Pcs	J71-00000-44503	TRANSISTOR;BDX54C;TO-220AB;ROHS	T2	PCB[P0563:02]
4	3.0000	Pcs	J73-02084-61703	TRANSISTOR;BC846B;SOT;ROHS	T5,T8,T9	PCB[P0563:02]
5	3.0000	Pcs	J73-02085-61703	TRANSISTOR;BC856B;SOT;ROHS	T6,T7,T10	PCB[P0563:02]

Wooden Part

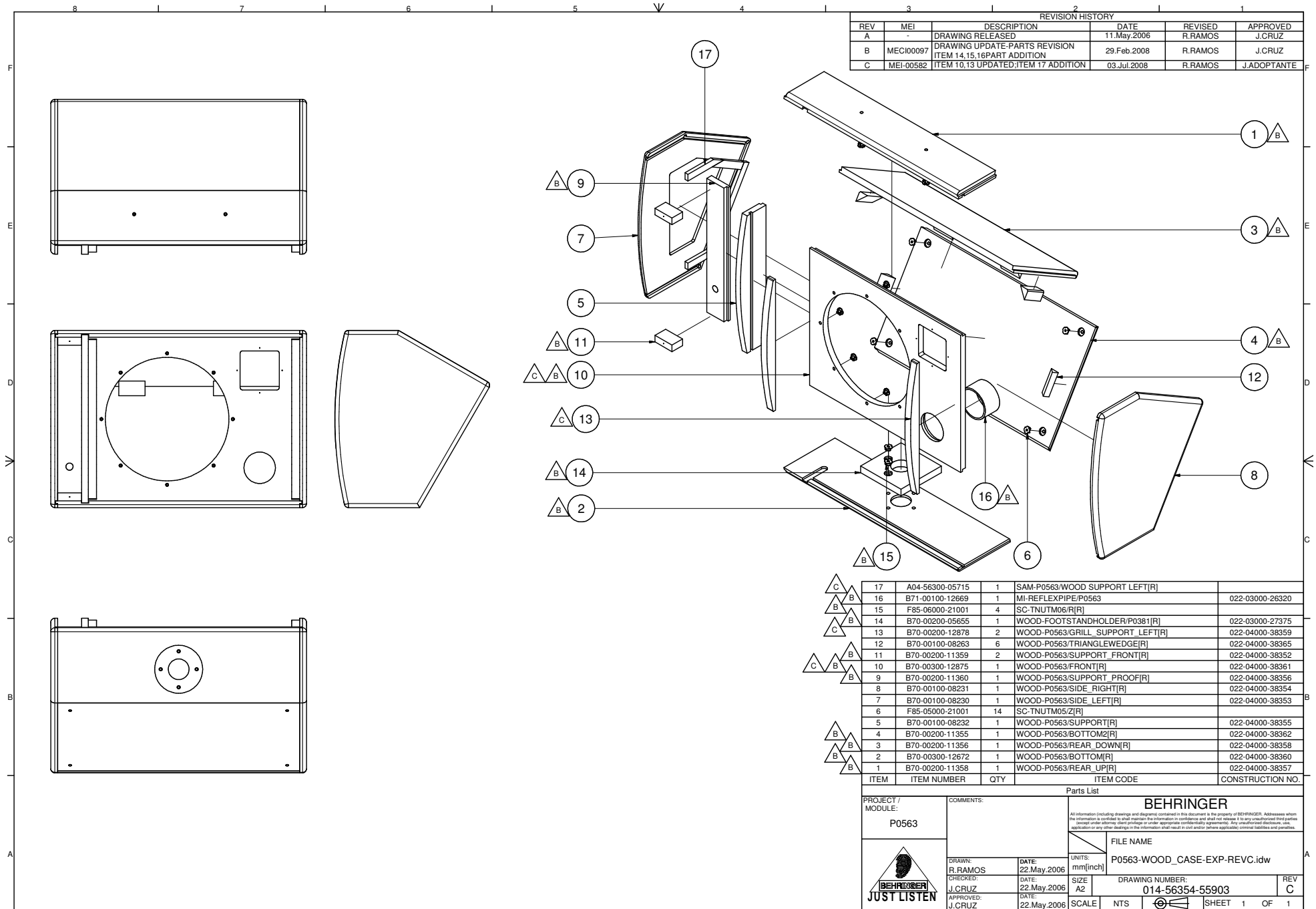
	Quantity	Unit	Item	Description	Reference Designators	Notes
1	1.0000	Pcs	B70-00100-08230	WOOD;SIDE LEFT;P0563;REV:A;ROHS		
2	1.0000	Pcs	B70-00100-08231	WOOD;SIDE RIGHT;P0563;REV:A;ROHS		
3	1.0000	Pcs	B70-00100-08232	WOOD;SUPPORT;P0563;REV:A;ROHS		
4	6.0000	Pcs	B70-00100-08263	WOOD;TRIANGLE WEDGE;P0563;REV:A;ROHS		
5	1.0000	Pcs	B70-00100-13057	WOOD;SUPPORT LEFT;P0563;REV:A;ROHS		
6	1.0000	Pcs	B70-00100-13288	WOOD;SUPPORT LEFT02;P0563;REV:A;ROHS		
7	1.0000	Pcs	B70-00100-13289	WOOD;SUPPORT LEFT03;P0563;REV:A;ROHS		
8	1.0000	Pcs	B70-00100-13290	WOOD;SUPPORT LEFT04;P0563;REV:A;ROHS		
9	1.0000	Pcs	B70-00200-05655	WOOD BOX;FOOTSTAND HOLDER;P0381;REV:B;ROHS		
10	1.0000	Pcs	B70-00200-11355	WOOD;BOTTOM2;P0563;REV:B;ROHS		
11	1.0000	Pcs	B70-00200-11356	WOOD;REAR DOWN;P0563;REV:B;ROHS		
12	1.0000	Pcs	B70-00200-11358	WOOD;REAR UP;P0563;REV:B;ROHS		
13	2.0000	Pcs	B70-00200-11359	WOOD;SUPPORT FRONT;P0563;REV:B;ROHS		
14	1.0000	Pcs	B70-00200-11360	WOOD;SUPPORT PROOF;P0563;REV:B;ROHS		
15	2.0000	Pcs	B70-00200-12878	WOOD;GRILL SUPPORT LEFT;P0563;REV:B;ROHS		
16	1.0000	Pcs	B70-00300-12672	WOOD;BOTTOM;P0563;REV:C;ROHS		
17	1.0000	Pcs	B70-00300-12875	WOOD;FRONT;P0563;REV:C;ROHS		
18	1.0000	Pcs	B71-00100-12669	WOOD;REFLEX PIPE;P0563;REV:A;ROHS		



REVISION HISTORY					
REV	MEI	DESCRIPTION	DATE	REVISED	APPROVED
A	-	DRAWING RELEASED	29.Feb.2008	R.RAMOS	J.CRUZ
B	MEI-00449	CHANGED COMPONENT	07.Oct.2008	M.BARAWED	J.ADOPTANTE

ITEM	ITEM NUMBER	QTY	ITEM CODE	CONSTRUCTION NO.
24	A65-00200-13653	1	MET FOOTSTAND	002-01000-41720
10	A01-00000-08187	1	MAIN-HANDLEGX/COM[R]	
9	G51-00200-02403	4	PLA-RUBFOOTRNBIG02[R]	022-02000-26549
8	G58-00100-08342	2	PLA-100278P/CORNER_RIGHT[R]	022-02000-38351
7	F88-50250-30297	2	SC-M05*25-03-B-ZP-BLK[R]	
6	G58-00100-08341	2	PLA-100277P/CORNER_LEFT[R]	022-02000-38350
5	F88-60350-50297	4	SC-M06*35-05-B-ZP-BLK[R]	
4	F88-30130-50217	26	SC-A03*13-05-B-ZP-BLK[R]	
3	F88-50220-30297	4	SC-M05*22-03-B-ZP-BLK[R]	
2	G58-54100-12083	2	PLA-CORNER6BX3000T[R]	022-02000-20511
1	A04-56300-02874	1	SAM-WOOD/P0563/LAM[R]	

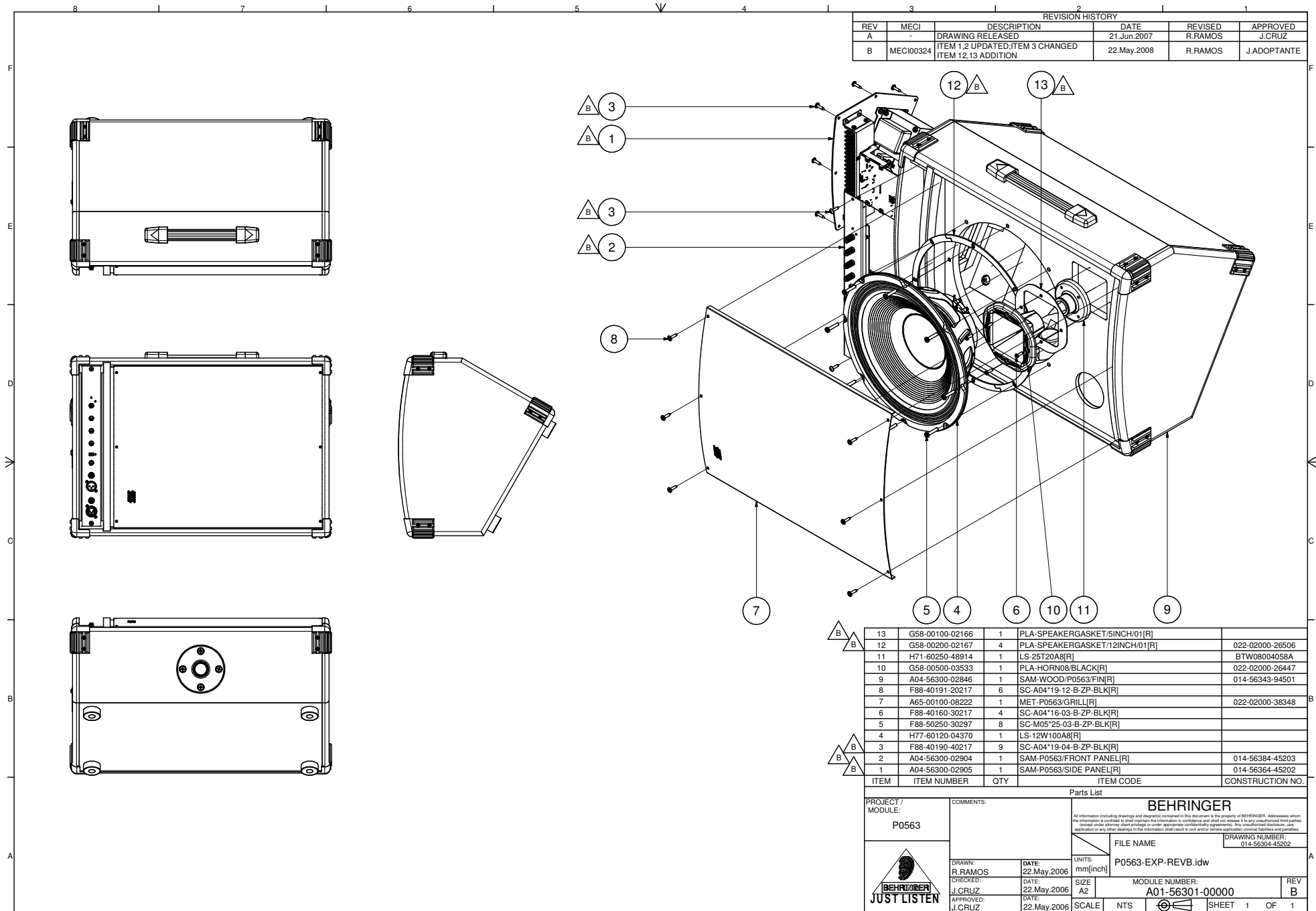
PROJECT / MODULE: P0563		COMMENTS:		BEHRINGER <small>All information (including drawings and diagrams) contained in this document is the property of BEHRINGER. Addresses which the information is credited to shall maintain this information in confidence and shall not release it to any unauthorized third parties. Special order drawings shall provide no order appropriate confidentiality agreement. Any prohibited disclosure, use, application or any other dealings in the information shall result in civil and/or criminal liabilities and penalties.</small>	
		FILE NAME P0563-WOODBOX-EXP-REVB.idw			
DRAWN: R.RAMOS	DATE: 5/22/2006	UNITS: mm[inch]	SIZE: A2	DRAWING NUMBER: 014-56344-56002	REV B
CHECKED: J.CRUZ	DATE: 5/22/2006	SCALE:	NTS	SHEET 1 OF 1	
APPROVED: J.CRUZ	DATE: 5/22/2006				



REVISION HISTORY					
REV	MEI	DESCRIPTION	DATE	REVISED	APPROVED
A	-	DRAWING RELEASED	11.May.2006	R.RAMOS	J.CRUIZ
B	MECI00097	DRAWING UPDATE-PARTS REVISION ITEM 14,15,16PART ADDITION	29.Feb.2008	R.RAMOS	J.CRUIZ
C	MEI-00582	ITEM 10,13 UPDATED;ITEM 17 ADDITION	03.Jul.2008	R.RAMOS	J.ADOPTANTE

ITEM	ITEM NUMBER	QTY	ITEM CODE	CONSTRUCTION NO.
17	A04-56300-05715	1	SAM-P0563/WOOD SUPPORT LEFT[R]	
16	B71-00100-12669	1	MI-REFLEXPIPE/P0563	022-03000-26320
15	F85-06000-21001	4	SC-TNUTM06[R]	
14	B70-00200-05655	1	WOOD-FOOTSTANDHOLDER/P0381[R]	022-03000-27375
13	B70-00200-12878	2	WOOD-P0563/GRILL_SUPPORT_LEFT[R]	022-04000-38359
12	B70-00100-08263	6	WOOD-P0563/TRIANGLEWEDGE[R]	022-04000-38365
11	B70-00200-11359	2	WOOD-P0563/SUPPORT_FRONT[R]	022-04000-38352
10	B70-00300-12875	1	WOOD-P0563/FRONT[R]	022-04000-38361
9	B70-00200-11360	1	WOOD-P0563/SUPPORT_PROOF[R]	022-04000-38356
8	B70-00100-08231	1	WOOD-P0563/SIDE_RIGHT[R]	022-04000-38354
7	B70-00100-08230	1	WOOD-P0563/SIDE_LEFT[R]	022-04000-38353
6	F85-05000-21001	14	SC-TNUTM05[Z]	
5	B70-00100-08232	1	WOOD-P0563/SUPPORT[R]	022-04000-38355
4	B70-00200-11355	1	WOOD-P0563/BOTTOM2[R]	022-04000-38362
3	B70-00200-11356	1	WOOD-P0563/REAR_DOWN[R]	022-04000-38358
2	B70-00300-12672	1	WOOD-P0563/BOTTOM[R]	022-04000-38360
1	B70-00200-11358	1	WOOD-P0563/REAR_UP[R]	022-04000-38357

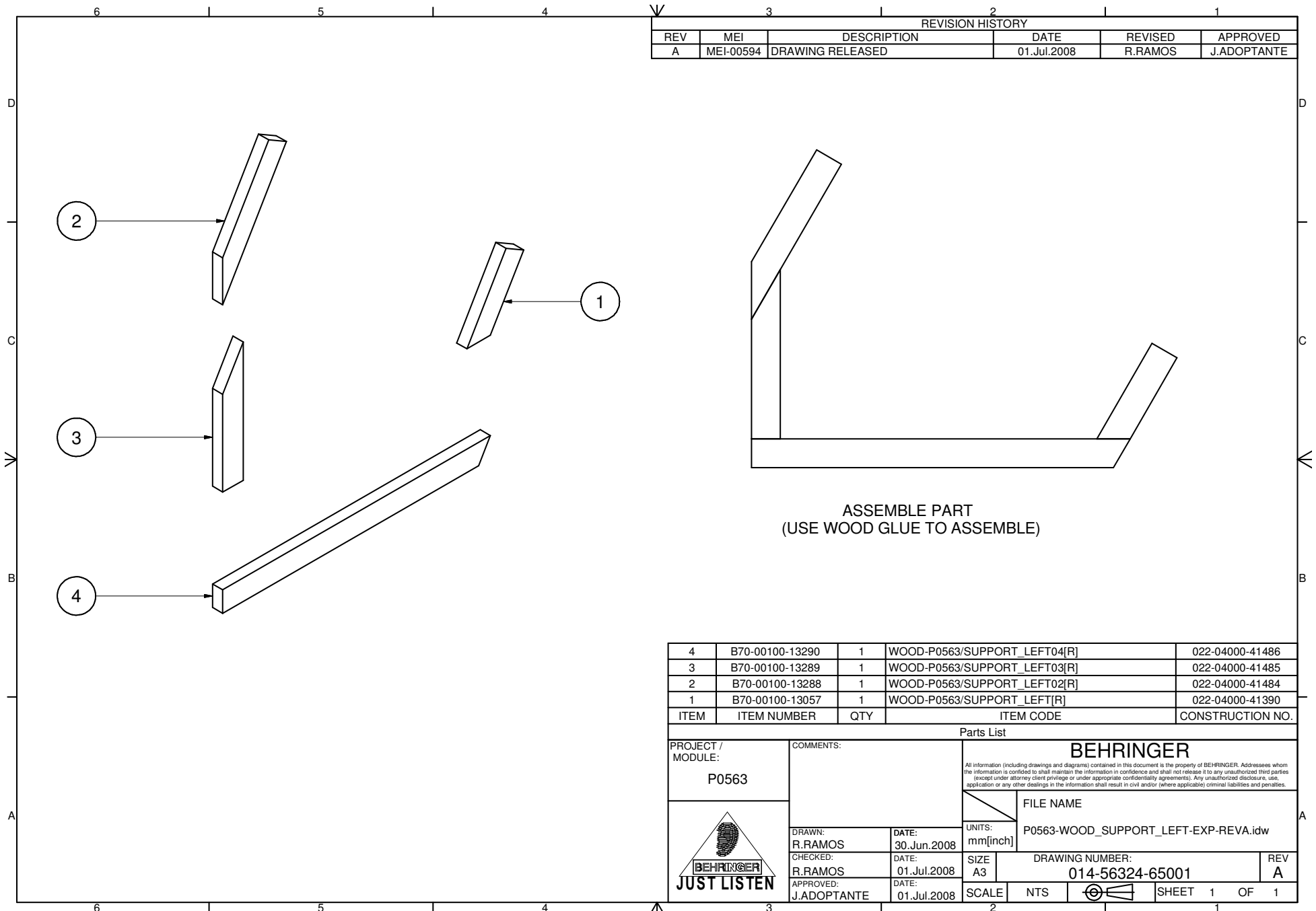
PROJECT / MODULE: P0563		COMMENTS:		BEHRINGER <small>All information (including drawings and documents) contained in this document is the property of BEHRINGER. Addressees whom the information is confided to shall maintain the information in confidence and shall not release it to any unauthorized third parties (except under information class privilege or under appropriate confidentiality agreements). Any unauthorized disclosure, use, application or any other dealings in the information shall result in civil and/or (where applicable) criminal liabilities and penalties.</small>	
		DRAWN: R.RAMOS CHECKED: J.CRUIZ APPROVED: J.CRUIZ		FILE NAME: P0563-WOOD_CASE-EXP-REVC.idw	
DATE: 22.May.2006 DATE: 22.May.2006 DATE: 22.May.2006		UNITS: mm[inch] SIZE: A2 SCALE:		DRAWING NUMBER: 014-56354-55903	
		SHEET 1 OF 1		REV C	



REVISION HISTORY					
REV	MECI	DESCRIPTION	DATE	REVISED	APPROVED
A	-	DRAWING RELEASED	21.Jun.2007	R.RAMOS	J.CRUZ
B	MECI00324	ITEM 1,2 UPDATED;ITEM 3 CHANGED ITEM 12,13 ADDITION	22.May.2008	R.RAMOS	J.ADOPTANTE

ITEM	ITEM NUMBER	QTY	ITEM CODE	CONSTRUCTION NO.
13	G58-00100-02166	1	PLA-SPEAKERGASKET/1INCH/01[R]	
12	G58-00200-02167	4	PLA-SPEAKERGASKET/12INCH/01[R]	022-02000-28506
11	H71-60250-48914	1	LS-25T20A8[R]	BTW08004058A
10	G58-00500-03533	1	PLA-HORN08.BLACK[R]	022-02000-26447
9	A04-56300-02846	1	SAM-WOOD/P0563/FIN[R]	014-56343-94501
8	F88-40191-20217	6	SC-A04*19-12-B-ZP-BLK[R]	
7	A65-00100-08222	1	MET-P0563/GRILL[R]	022-02000-38348
6	F88-40160-30217	4	SC-A04*16-03-B-ZP-BLK[R]	
5	F88-50250-30297	8	SC-M05*25-03-B-ZP-BLK[R]	
4	H77-60120-04370	1	LS-12W100A8[R]	
3	F88-40190-40217	9	SC-A04*19-04-B-ZP-BLK[R]	
2	A04-56300-02904	1	SAM-P0563/FRONT PANEL[R]	014-56384-45203
1	A04-56300-02905	1	SAM-P0563/SIDE PANEL[R]	014-56364-45202

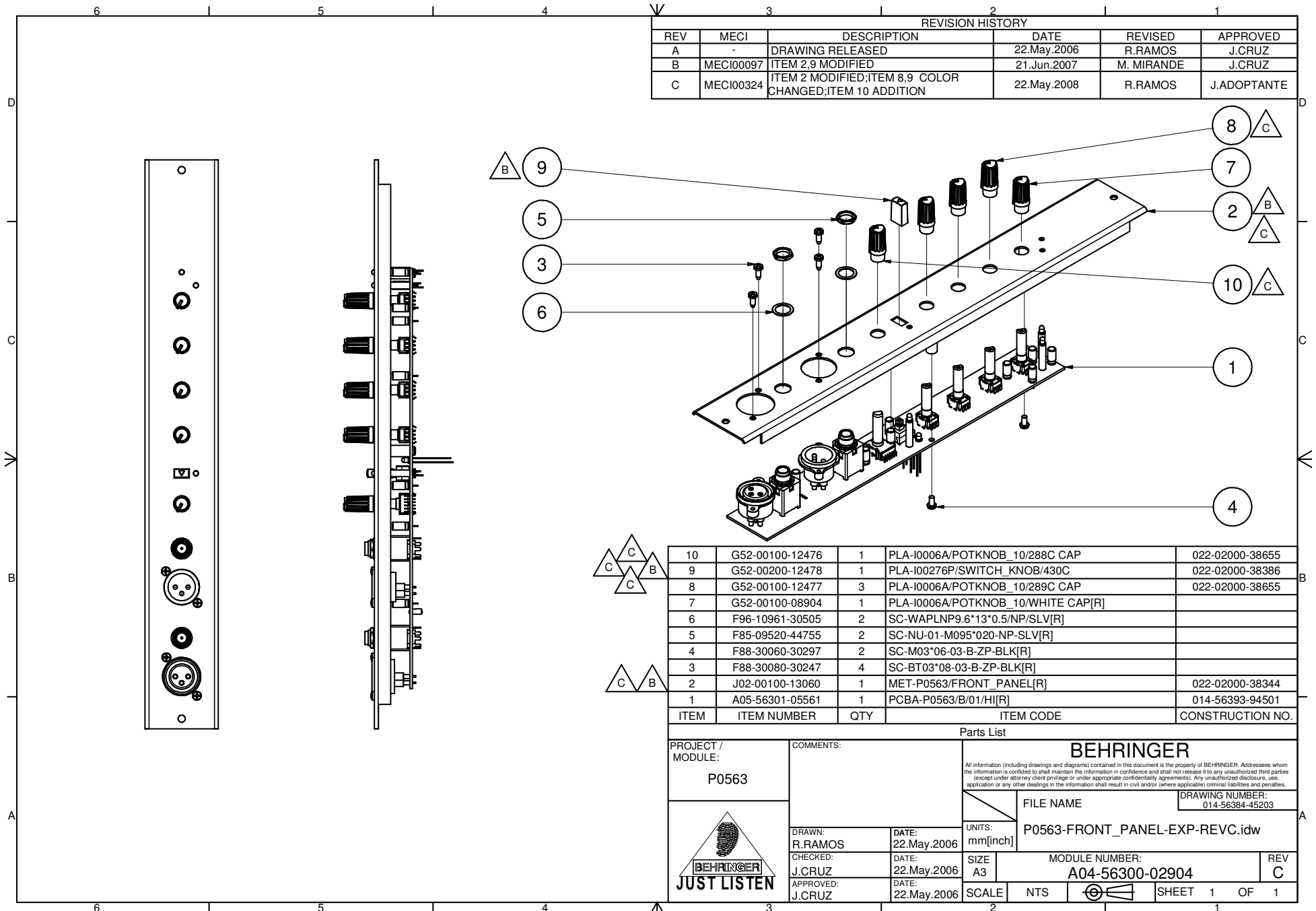
PROJECT / MODULE: P0563		COMMENTS:		BEHRINGER <small>All information (including drawings and designs) contained in this document is the property of BEHRINGER. Addressees whom the information is confided to shall maintain the information in confidence and shall not release it to any unauthorized third parties (except under information client privilege or under appropriate confidentiality agreements). Any unauthorized disclosure, use, application or any other dealings in the information shall result in civil and/or (where applicable) criminal liabilities and penalties.</small>	
		FILE NAME: P0563-EXP-REVB.idw DRAWN: R.RAMOS CHECKED: J.CRUZ APPROVED: J.CRUZ			
DATE: 22.May.2006 DATE: 22.May.2006 DATE: 22.May.2006		UNITS: mm[inch] SIZE: A2 SCALE: NTS		DRAWING NUMBER: 014-56304-45202 MODULE NUMBER: A01-56301-00000 SHEET 1 OF 1	



REVISION HISTORY					
REV	MEI	DESCRIPTION	DATE	REVISED	APPROVED
A	MEI-00594	DRAWING RELEASED	01.Jul.2008	R.RAMOS	J.ADOPTANTE

4	B70-00100-13290	1	WOOD-P0563/SUPPORT_LEFT04[R]	022-04000-41486
3	B70-00100-13289	1	WOOD-P0563/SUPPORT_LEFT03[R]	022-04000-41485
2	B70-00100-13288	1	WOOD-P0563/SUPPORT_LEFT02[R]	022-04000-41484
1	B70-00100-13057	1	WOOD-P0563/SUPPORT_LEFT[R]	022-04000-41390
ITEM	ITEM NUMBER	QTY	ITEM CODE	CONSTRUCTION NO.

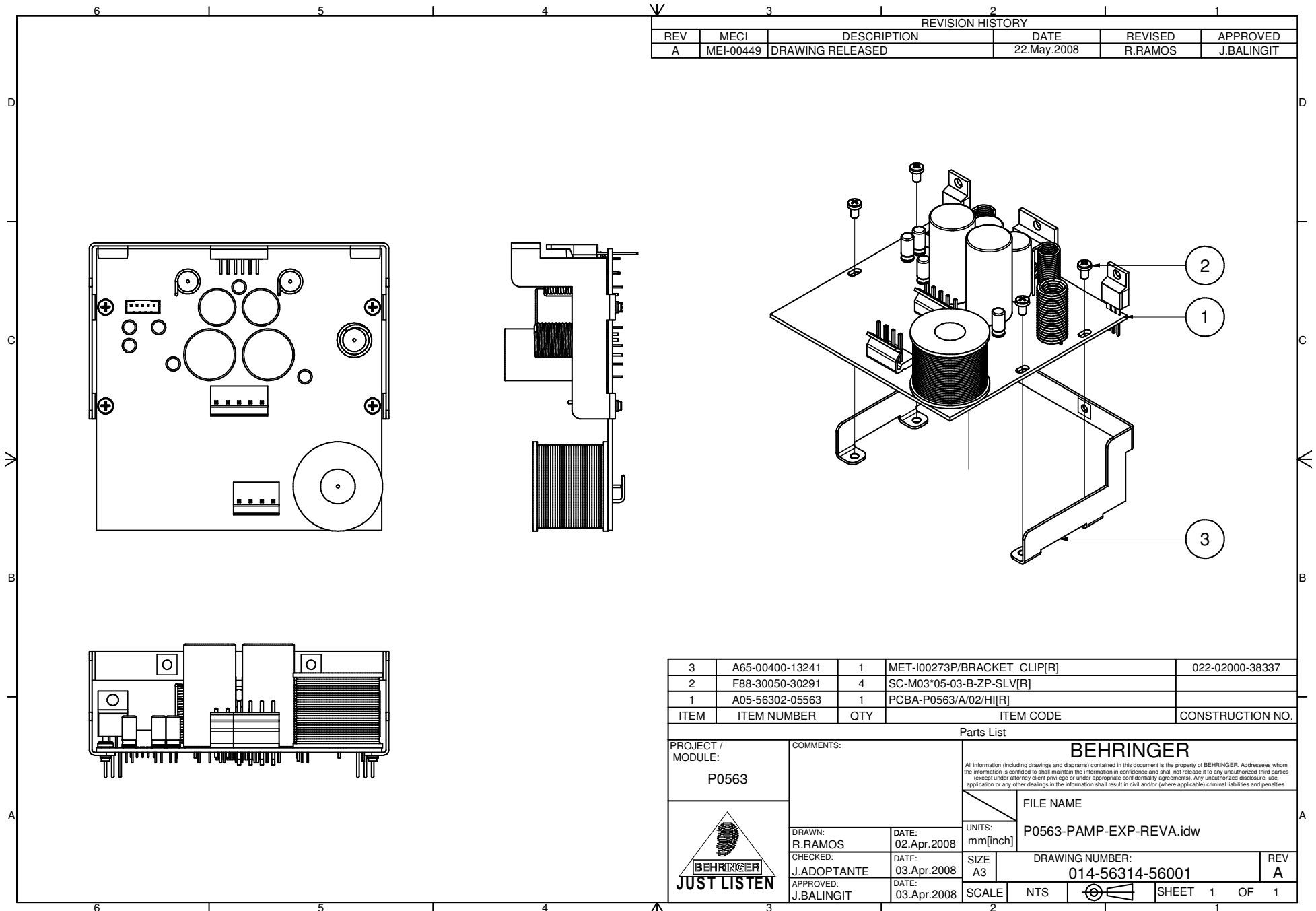
Parts List					
PROJECT / MODULE: P0563		COMMENTS:		BEHRINGER <small>All information (including drawings and diagrams) contained in this document is the property of BEHRINGER. Addressees whom the information is conveyed to shall maintain the information in confidence and shall not release it to any unauthorized third parties (except under attorney client privilege or under appropriate confidentiality agreements). Any unauthorized disclosure, use, application or any other dealings in the information shall result in civil and/or (where applicable) criminal liabilities and penalties.</small>	
		DATE: 30.Jun.2008 DATE: 01.Jul.2008 DATE: 01.Jul.2008			
DRAWN: R.RAMOS CHECKED: R.RAMOS APPROVED: J.ADOPTANTE		DATE: 30.Jun.2008 DATE: 01.Jul.2008 DATE: 01.Jul.2008		FILE NAME P0563-WOOD_SUPPORT_LEFT-EXP-REVA.idw	
UNITS: mm[inch]		SIZE: A3		DRAWING NUMBER: 014-56324-65001	
SCALE: NTS				SHEET 1 OF 1	



REVISION HISTORY					
REV	MECI	DESCRIPTION	DATE	REVISED	APPROVED
A	-	DRAWING RELEASED	22.May.2006	R.RAMOS	J.CRUIZ
B	MECI00097	ITEM 2,9 MODIFIED	21.Jun.2007	M. MIRANDE	J.CRUIZ
C	MECI00324	ITEM 2 MODIFIED;ITEM 8,9 COLOR CHANGED;ITEM 10 ADDITION	22.May.2008	R.RAMOS	J.ADOPTANTE

ITEM	ITEM NUMBER	QTY	ITEM CODE	CONSTRUCTION NO.
10	G52-00100-12476	1	PLA-I0006A/POTKNOB_10/288C CAP	022-02000-38655
9	G52-00200-12478	1	PLA-I00276P/SWITCH_KNOB/430C	022-02000-38386
8	G52-00100-12477	3	PLA-I0006A/POTKNOB_10/289C CAP	022-02000-38655
7	G52-00100-08904	1	PLA-I0006A/POTKNOB_10/WHITE CAP[R]	
6	F96-10961-30505	2	SC-WAPLNP9.6*13*0.5/NP/SLV[R]	
5	F85-09520-44755	2	SC-NU-01-M095*020-NP-SLV[R]	
4	F88-30060-30297	2	SC-M03*06-03-B-ZP-BLK[R]	
3	F88-30080-30247	4	SC-BT03*08-03-B-ZP-BLK[R]	
2	J02-00100-13060	1	MET-P0563/FRONT_PANEL[R]	022-02000-38344
1	A05-56301-05561	1	PCBA-P0563/B/01/HI[R]	014-56393-94501

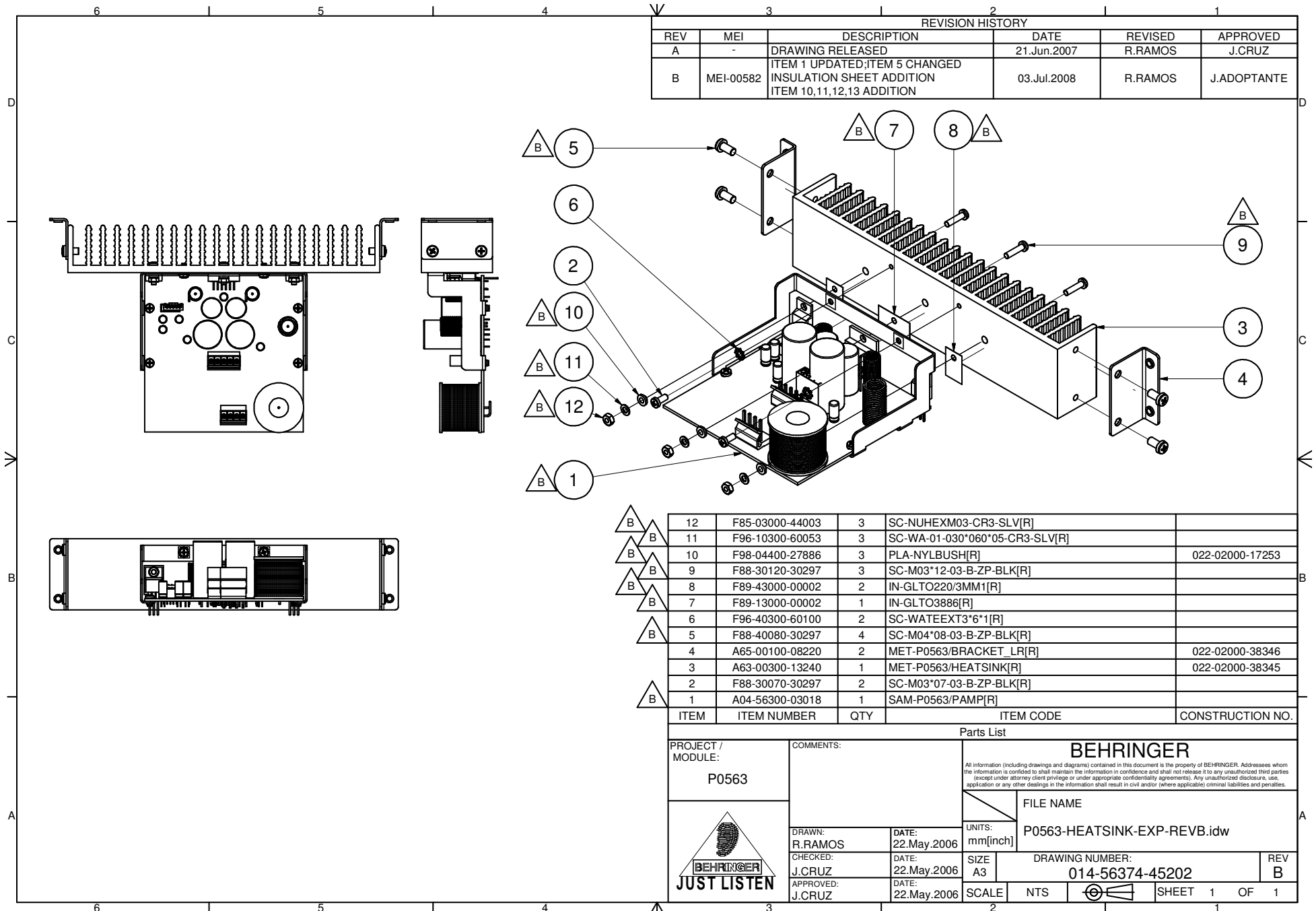
PROJECT / MODULE: P0563		COMMENTS:		<p style="text-align: center;">BEHRINGER</p> <small>All information (including drawings and diagrams) contained in this document is the property of BEHRINGER. Addressees whom the information is conveyed to shall maintain the information in confidence and shall not release it to any unauthorized third parties (except under attorney client privilege or under appropriate confidentiality agreements). Any unauthorized disclosure, use, application or any other dealings in the information shall result in civil and/or (where applicable) criminal liabilities and penalties.</small>	
		DRAWN: R.RAMOS CHECKED: J.CRUIZ APPROVED: J.CRUIZ			
		DATE: 22.May.2006 DATE: 22.May.2006 DATE: 22.May.2006		FILE NAME: P0563-FRONT_PANEL-EXP-REVC.idw DRAWING NUMBER: 014-56384-45203 MODULE NUMBER: A04-56300-02904 REV: C	
				SHEET 1 OF 1	



REVISION HISTORY					
REV	MECI	DESCRIPTION	DATE	REVISED	APPROVED
A	MEI-00449	DRAWING RELEASED	22.May.2008	R.RAMOS	J.BALINGIT

3	A65-00400-13241	1	MET-I00273P/BRACKET_CLIP[R]	022-02000-38337
2	F88-30050-30291	4	SC-M03*05-03-B-ZP-SLV[R]	
1	A05-56302-05563	1	PCBA-P0563/A/02/HI[R]	
ITEM	ITEM NUMBER	QTY	ITEM CODE	CONSTRUCTION NO.

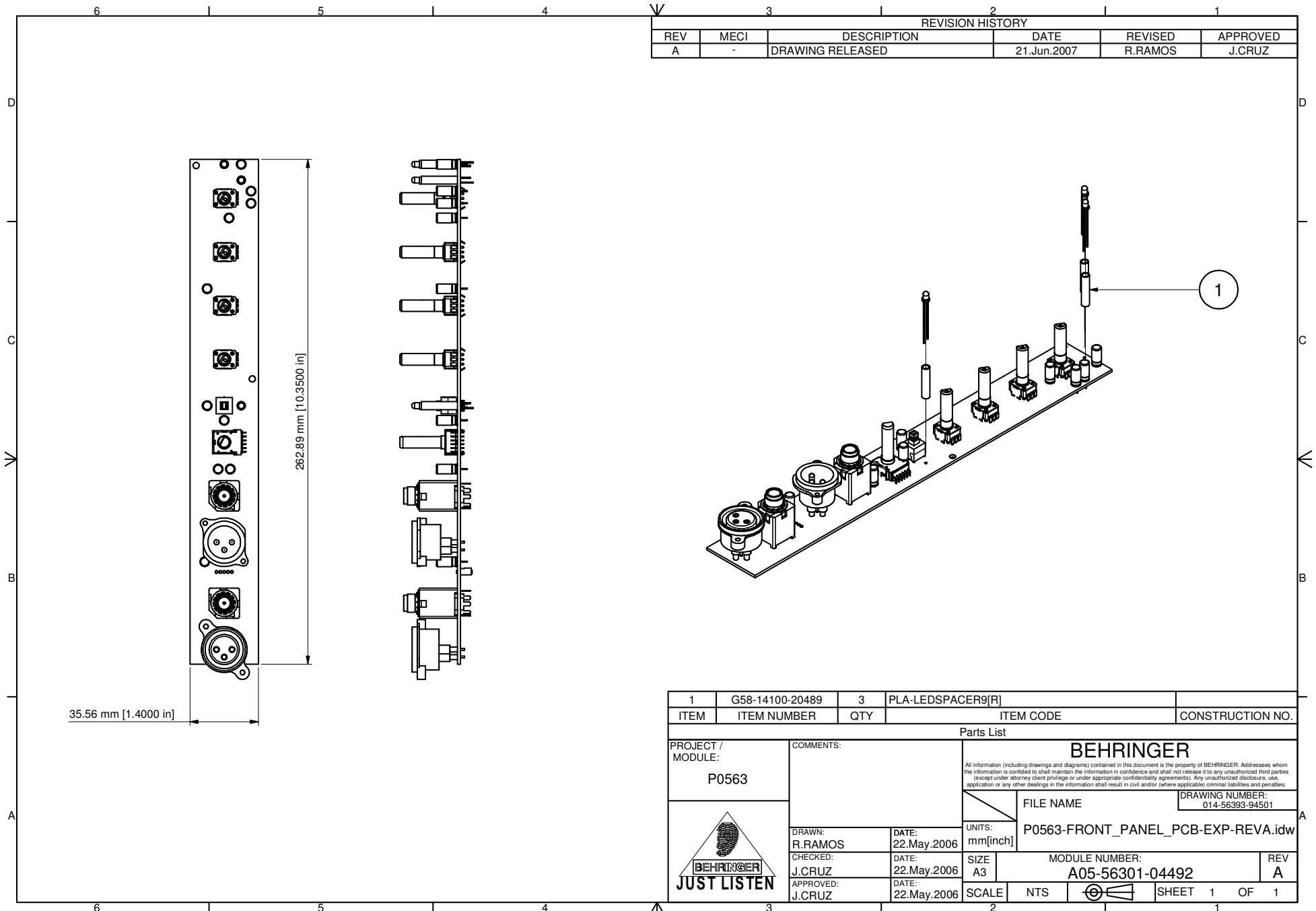
Parts List			
PROJECT / MODULE: P0563		COMMENTS:	
		<p align="center">BEHRINGER</p> <p><small>All information (including drawings and diagrams) contained in this document is the property of BEHRINGER. Addressees whom the information is conveyed to shall maintain the information in confidence and shall not release it to any unauthorized third parties (except under attorney client privilege or under appropriate confidentiality agreements). Any unauthorized disclosure, use, application or any other dealings in the information shall result in civil and/or (where applicable) criminal liabilities and penalties.</small></p>	
		FILE NAME P0563-PAMP-EXP-REVA.idw	
DRAWN: R.RAMOS CHECKED: J.ADOPTANTE APPROVED: J.BALINGIT	DATE: 02.Apr.2008 DATE: 03.Apr.2008 DATE: 03.Apr.2008	UNITS: mm[inch] SIZE A3 SCALE NTS	DRAWING NUMBER: 014-56314-56001 SHEET 1 OF 1
		REV A	DATE: 03.Apr.2008



REVISION HISTORY					
REV	MEI	DESCRIPTION	DATE	REVISED	APPROVED
A	-	DRAWING RELEASED	21.Jun.2007	R.RAMOS	J.CRUZ
B	MEI-00582	ITEM 1 UPDATED;ITEM 5 CHANGED INSULATION SHEET ADDITION ITEM 10,11,12,13 ADDITION	03.Jul.2008	R.RAMOS	J.ADOPTANTE

B	12	F85-03000-44003	3	SC-NUHEXM03-CR3-SLV[R]	
B	11	F96-10300-60053	3	SC-WA-01-030*060*05-CR3-SLV[R]	
B	10	F98-04400-27886	3	PLA-NYLBUSH[R]	022-02000-17253
B	9	F88-30120-30297	3	SC-M03*12-03-B-ZP-BLK[R]	
B	8	F89-43000-00002	2	IN-GLTO220/3MM1[R]	
B	7	F89-13000-00002	1	IN-GLTO3886[R]	
B	6	F96-40300-60100	2	SC-WATEEXT3*6*1[R]	
B	5	F88-40080-30297	4	SC-M04*08-03-B-ZP-BLK[R]	
	4	A65-00100-08220	2	MET-P0563/BRACKET_LR[R]	022-02000-38346
	3	A63-00300-13240	1	MET-P0563/HEATSINK[R]	022-02000-38345
	2	F88-30070-30297	2	SC-M03*07-03-B-ZP-BLK[R]	
B	1	A04-56300-03018	1	SAM-P0563/PAMP[R]	
	ITEM	ITEM NUMBER	QTY	ITEM CODE	CONSTRUCTION NO.

PROJECT / MODULE: P0563		COMMENTS:		BEHRINGER <small>All information (including drawings and diagrams) contained in this document is the property of BEHRINGER. Addressees whom the information is confided to shall maintain the information in confidence and shall not release it to any unauthorized third parties (except under attorney client privilege or under appropriate confidentiality agreements). Any unauthorized disclosure, use, application or any other dealings in the information shall result in civil and/or (where applicable) criminal liabilities and penalties.</small>	
		DRAWN: R.RAMOS CHECKED: J.CRUZ APPROVED: J.CRUZ			
		DATE: 22.May.2006 DATE: 22.May.2006 DATE: 22.May.2006		UNITS: mm[inch] SIZE: A3 DRAWING NUMBER: 014-56374-45202	
		SCALE: NTS		SHEET 1 OF 1	



REVISION HISTORY					
REV	MECI	DESCRIPTION	DATE	REVISED	APPROVED
A	-	DRAWING RELEASED	21.Jun.2007	R.RAMOS	J.CRUZ

1	G58-14100-20489	3	PLA-LEDSPACER9[R]		
ITEM	ITEM NUMBER	QTY	ITEM CODE	CONSTRUCTION NO.	
Parts List					
PROJECT / MODULE: P0563		COMMENTS:		BEHRINGER	
		DRAWN: R.RAMOS		DATE: 22.May.2006	
		CHECKED: J.CRUZ		DATE: 22.May.2006	
APPROVED: J.CRUZ		DATE: 22.May.2006		UNITS: mm[inch]	
		SIZE A3		FILE NAME P0563-FRONT_PANEL_PCB-EXP-REVA.idw	
		SCALE NTS		DRAWING NUMBER: 014-56393-94501	
				MODULE NUMBER: A05-56301-04492	
				REV A	
				SHEET 1 OF 1	



imagine music