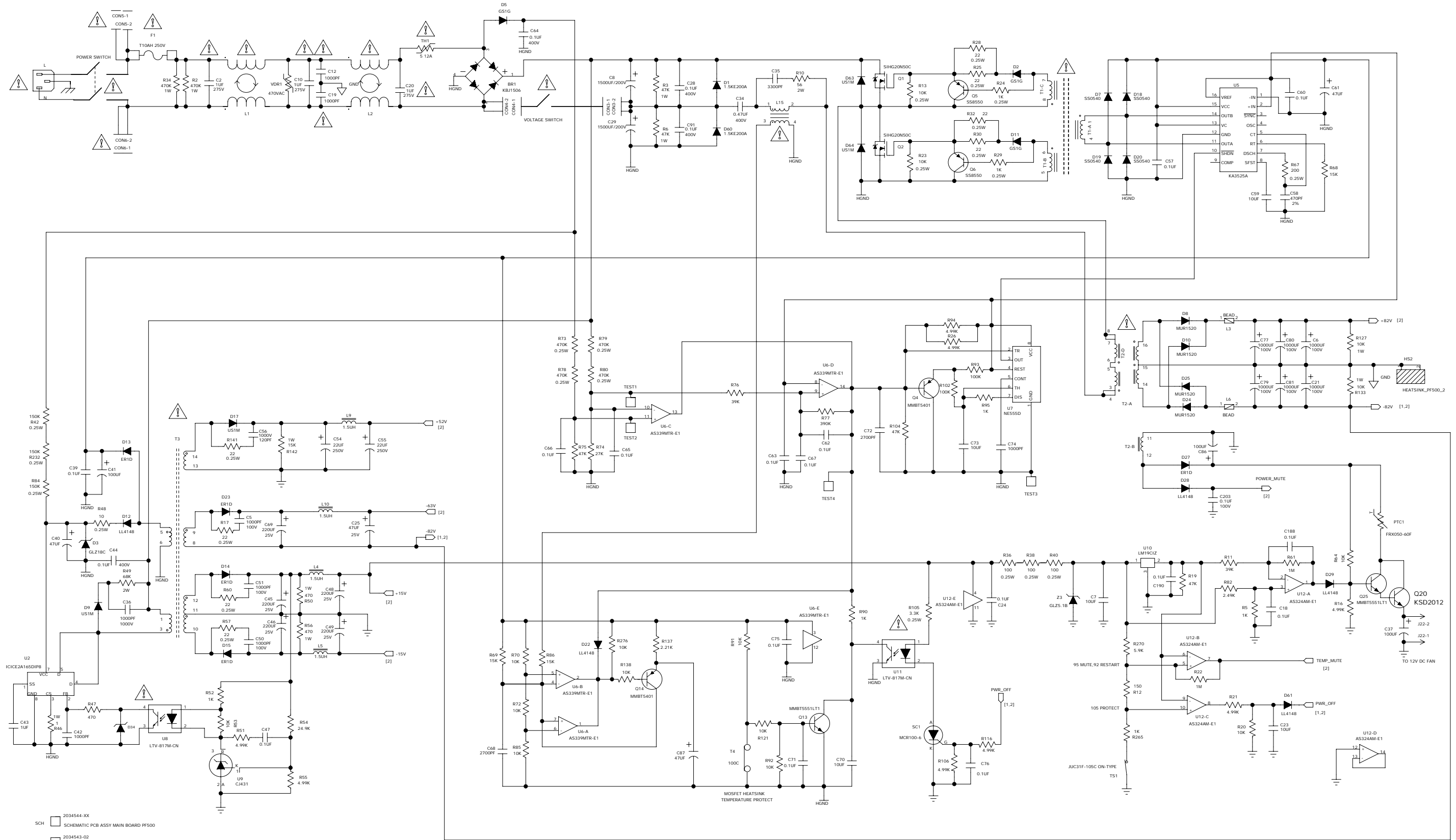
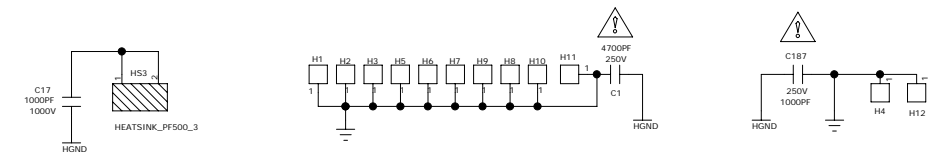


ECO/DSR	REV.	DESCRIPTION	REV. BY.	DATE
ECOWD12993	B00	Correct silkscreen, safety caps, add shrink	RJ	7-19-2010
ECOWD13132	B01	R96 WAS 4.32K, R129 WAS 10K	RJ	9-1-2010
ECOWD13206	C00	ADD D34	RJ	9/30/2010
ECOWD13580	C01	Change drawing of power switch to DPST.	RJ	1-13-2011
ECOWD13508	C02	Change Insulator	th	3-7-2011
ECOWD13994	C03	Q20 WAS 2SC4793	th	6-20-11

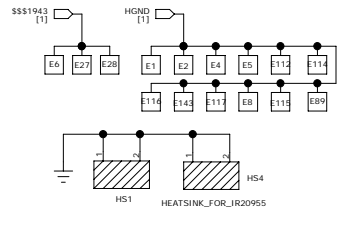
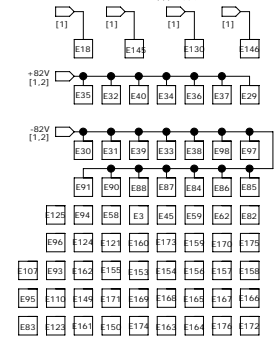
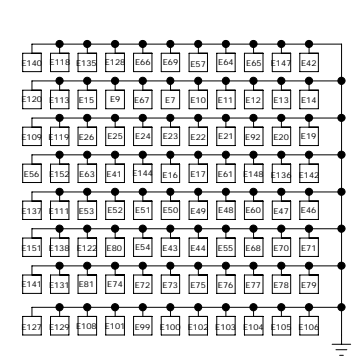
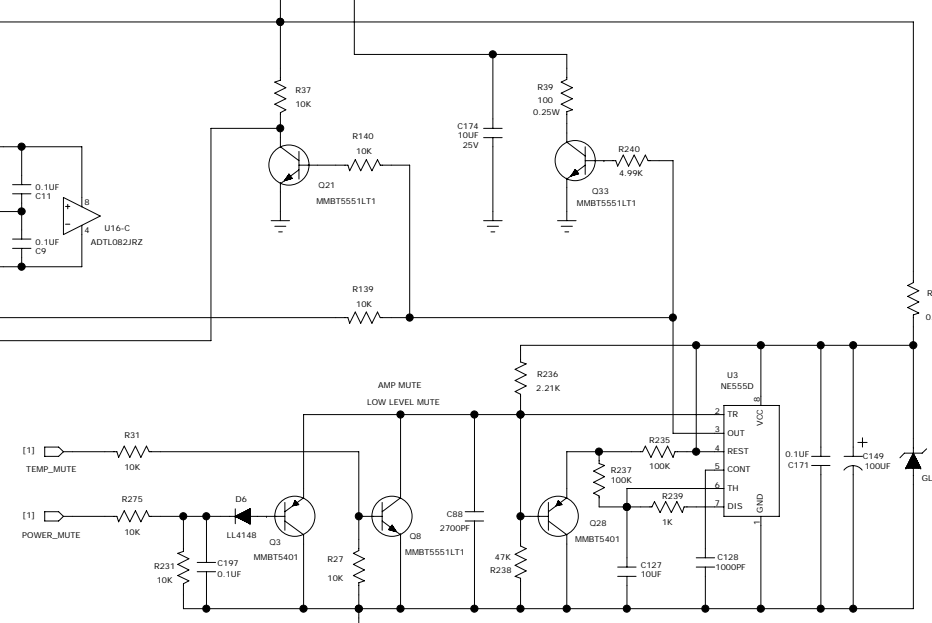
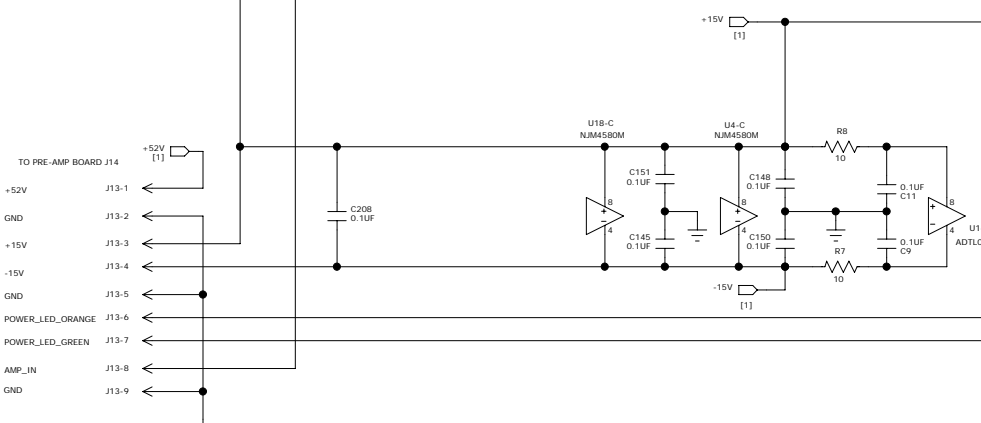
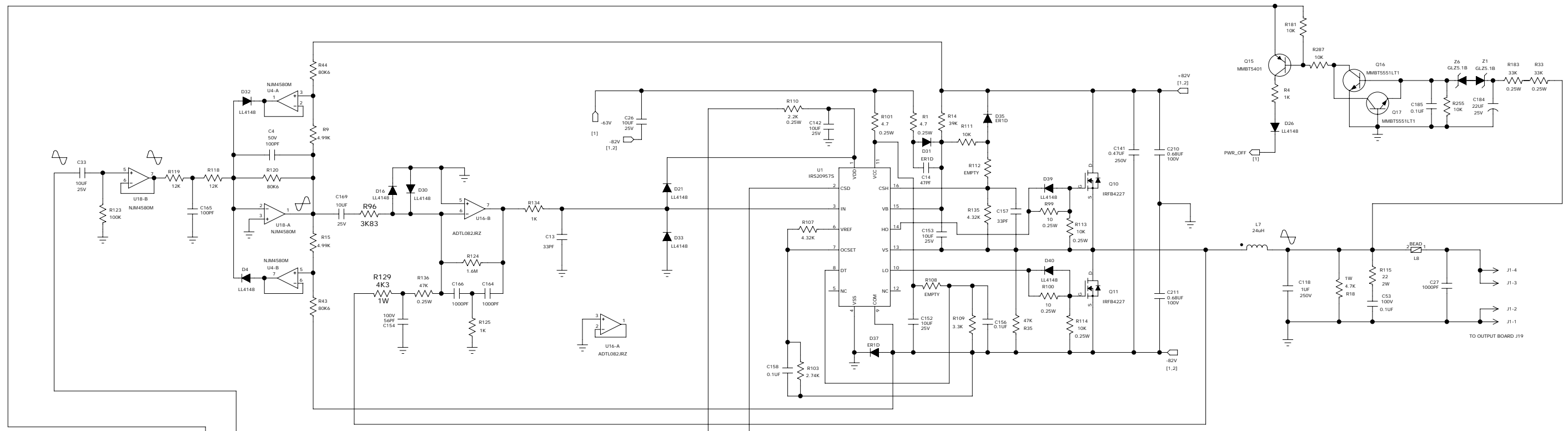


- SCH 2034544-XX SCHEMATIC PCB ASSY MAIN BOARD PF500
- PCB 2034543-02 PCB FAB MAIN BOARD PF500
- FORC34 0032291 SHRINK TUBE 18X40MM
- FORH11 0032291 SHRINK TUBE 18X40MM
- FORL316 0025312 WIRE JUMPER 20AWG 60MM
- FORL7 0021206 TIE WRAP 4.5" LG
- FORC141 0032291 SHRINK TUBE 18X40MM
- FORC118 0032291 SHRINK TUBE 18X40MM



APPROVALS		DATE
DRAWN: YOUNG	RJ	12.25.2009
CHECKED:		9/30/2010
NP ENG:		
MATERIAL:		
MFG:		
MFG ENG:		
ISSUED:		

 TECHNOLOGIES INC. WOODINVILLE WA. USA	
PF500 MAIN POWER SUPPLY SECTION	
SIZE: D	SCALE: NONE
DWG. NO: 2034544-XX	REV. C03
DWG. FILE:	SHEET 1 OF 2



- INS8 0027081 INSULATOR 19.4X14X2MM CER
- INS7 0027081 INSULATOR 19.4X14X2MM CER
- INS6 0027081 INSULATOR 19.4X14X2MM CER
- INS5 0027081 INSULATOR 19.4X14X2MM CER
- INS4 0027081 INSULATOR 19.4X14X2MM CER
- INS2 0027081 INSULATOR 19.4X14X2MM CER

- SCR13 0026671 SCR SEMS M3X10 PNH PHILLIP STL NICKEL
- SCR12 0026671 SCR SEMS M3X10 PNH PHILLIP STL NICKEL
- SCR7 0026673 SCR SEMS M3X12 PNH PHILLIP STL NICKEL
- SCR6 0026673 SCR SEMS M3X12 PNH PHILLIP STL NICKEL
- SCR5 0026673 SCR SEMS M3X12 PNH PHILLIP STL NICKEL
- SCR2 0026673 SCR SEMS M3X12 PNH PHILLIP STL NICKEL
- SCR4 0026671 SCR SEMS M3X10 PNH PHILLIP STL NICKEL
- SCR1 0026671 SCR SEMS M3X10 PNH PHILLIP STL NICKEL
- CLP2 0033326 FIT PART SVT-7PRO (Bar Clamp)
- CLP1 0033326 FIT PART SVT-7PRO (Bar Clamp)

- SCR15 0026671 SCR SEMS M3X10 PNH PHILLIP STL NICKEL
- SCR14 0026671 SCR SEMS M3X10 PNH PHILLIP STL NICKEL
- PLT1 2035974 PLATE 25X19X1MM CER
- INS3 2035273 INSULATOR HEATSINK 1 PF500
- INS1 2037008 INSULATOR HEATSINK 2 PF500
- SCR11 0029375 SCR SEMS M3X16 PNH PHILLIP STL NICKEL
- SCR10 0029375 SCR SEMS M3X16 PNH PHILLIP STL NICKEL
- SCR9 0029375 SCR SEMS M3X16 PNH PHILLIP STL NICKEL
- SCR8 0029375 SCR SEMS M3X16 PNH PHILLIP STL NICKEL
- SCR3 0029375 SCR SEMS M3X16 PNH PHILLIP STL NICKEL

- MISC1 730-001-00 THERMAL COMPOUND
- MISC2 2034504 SILICONE RTV
- SCR18 0029375 SCR SEMS M3X16 PNH PHILLIP STL NICKEL
- SCR17 0026673 SCR SEMS M3X12 PNH PHILLIP STL NICKEL
- SCR16 0026673 SCR SEMS M3X12 PNH PHILLIP STL NICKEL
- HS10 0032726 HEATSINK FOR IC HD SERIES
- HS5 2035269 HEATSINK 1 PF500
- HS6 2035270 HEATSINK 2 PF500
- HS7 2035271 HEATSINK 3 PF500
- PLT2 2035974 PLATE 25X19X1MM CER

APPROVALS		DATE
DRAWN:	YOUNG	12.25.2009
CHECKED:		
NP ENG:		
MATERIAL:		
MFG:		
MFG ENG:		
ISSUED:		

 TECHNOLOGIES INC. WOODINVILLE WA. USA			
PF500 MAIN CLASS_D AMP SECTION			
SIZE	SCALE:	DWG. NO.	REV.
D	NONE	2034544-XX	C03
DWG FILE:		SHEET 2 OF 2	