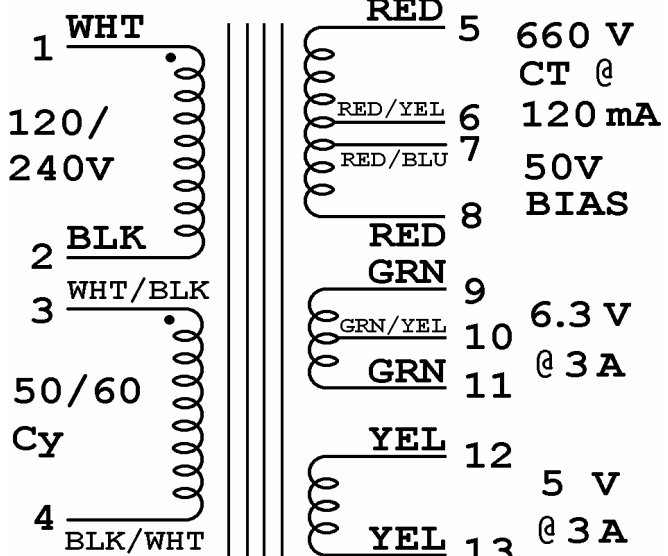
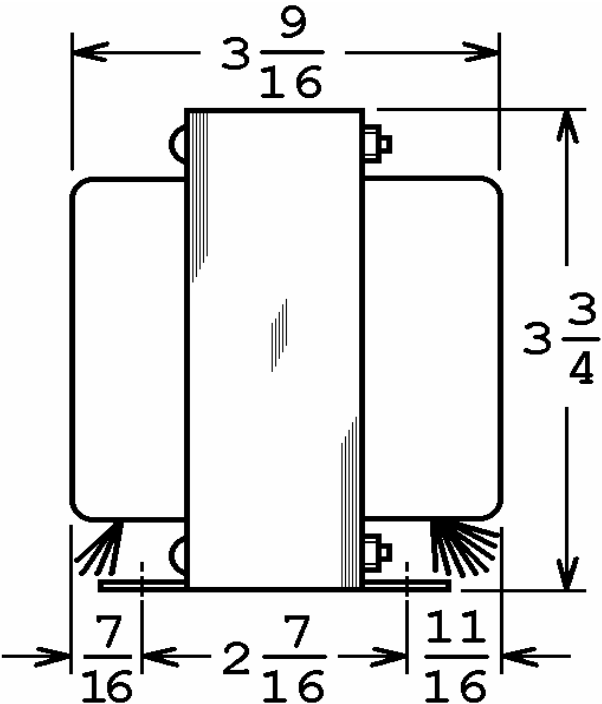
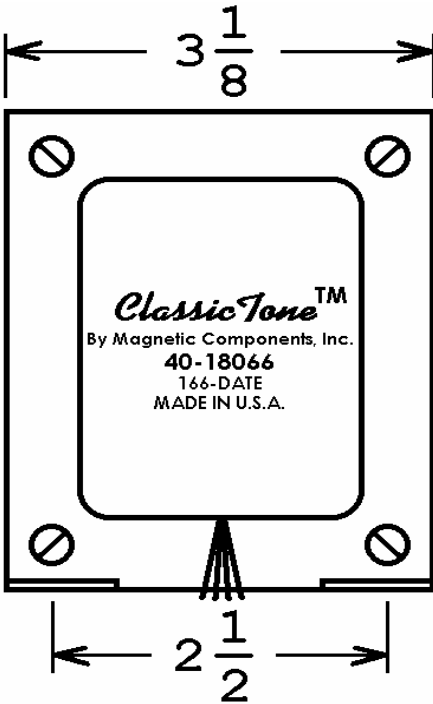


This drawing is the property of Magnetic Components, Inc. and shall not be reproduced, in whole or in part, without the written permission of Magnetic Components, Inc.

REVISIONS			
LTR	DESCRIPTION	DATE	APPROVED
A	ADD PRIMARY 120V/240V CONNECTIONS	04/05/11	M. Sacketti



120V: INPUT TO WHT AND BLK (CONNECT WHT TO WHT/BLK AND BLK TO BLK/WHT)
240V: INPUT TO WHT AND BLK/WHT (CONNECT BLK TO TO WHT/BLK)

UNLESS OTHERWISE SPECIFIED ALL DIMENSIONS IN INCHES DO NOT SCALE DRAWING FRACTIONS +/- .X = +/- .XX = +/- .XXX = +/- ANGLES = +/-	SIGNATURES		DATE	MAGNETIC COMPONENTS, INC.	DIV : LOC : SCHILLER PK		
	DRAWN : <i>M. Sacketti</i>		25 MAR 11	TITLE DELUXE POWER			
	CHECK :			CAGE 50508	SIZE A	PART No. 40-18066	REV A
	APPR : <i>M. Sacketti</i>		25 MAR 11	SCALE NONE	SHEET :		