



Service Manual

Created: 15 March 2015



6050

Boutique-Style 120-Watt 2-Channel Tube Combo with Reverb

Specifications	2
PCB Schematic	3
Parts List	9
Exploded Drawing	27

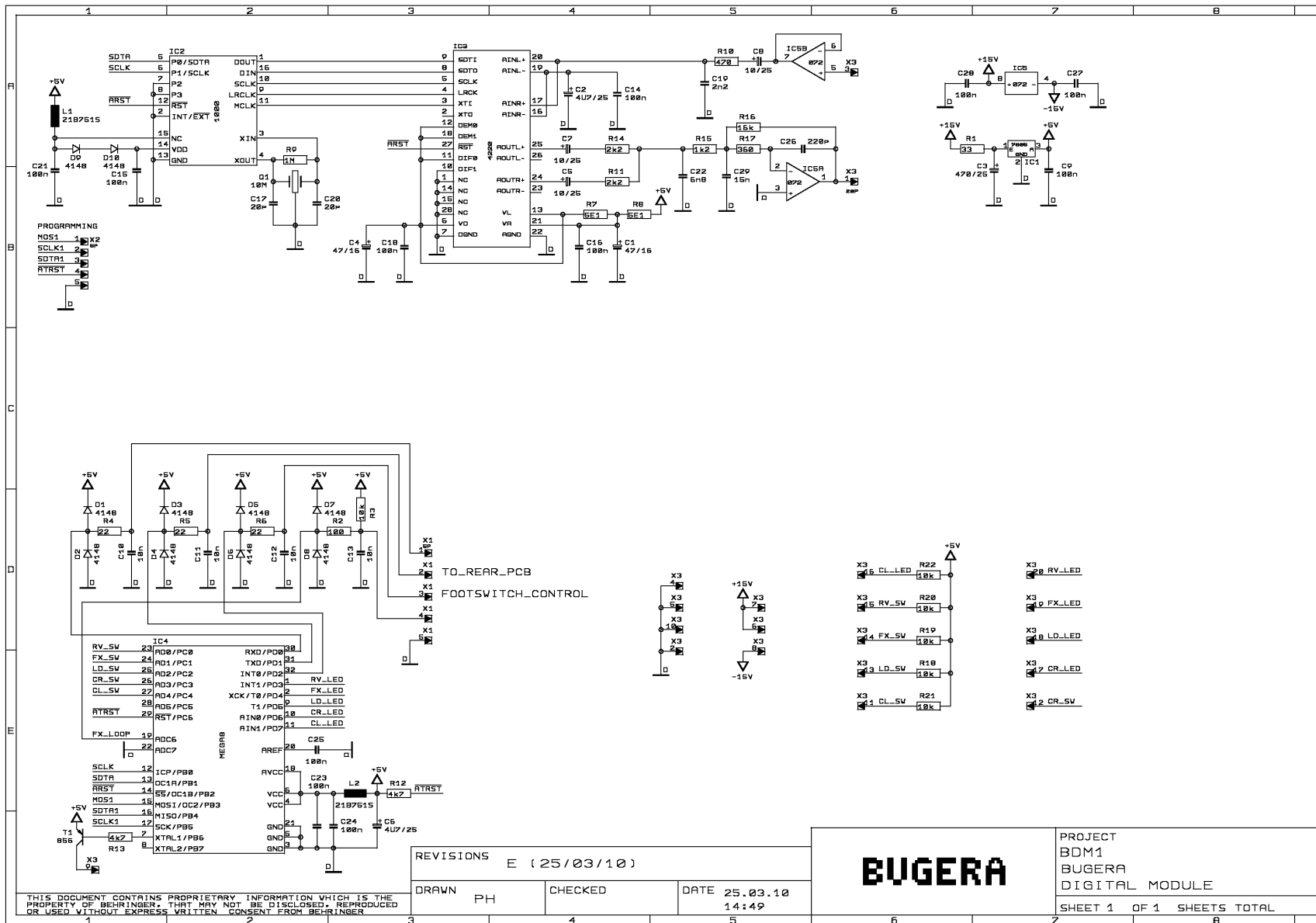
bugera-amps.com

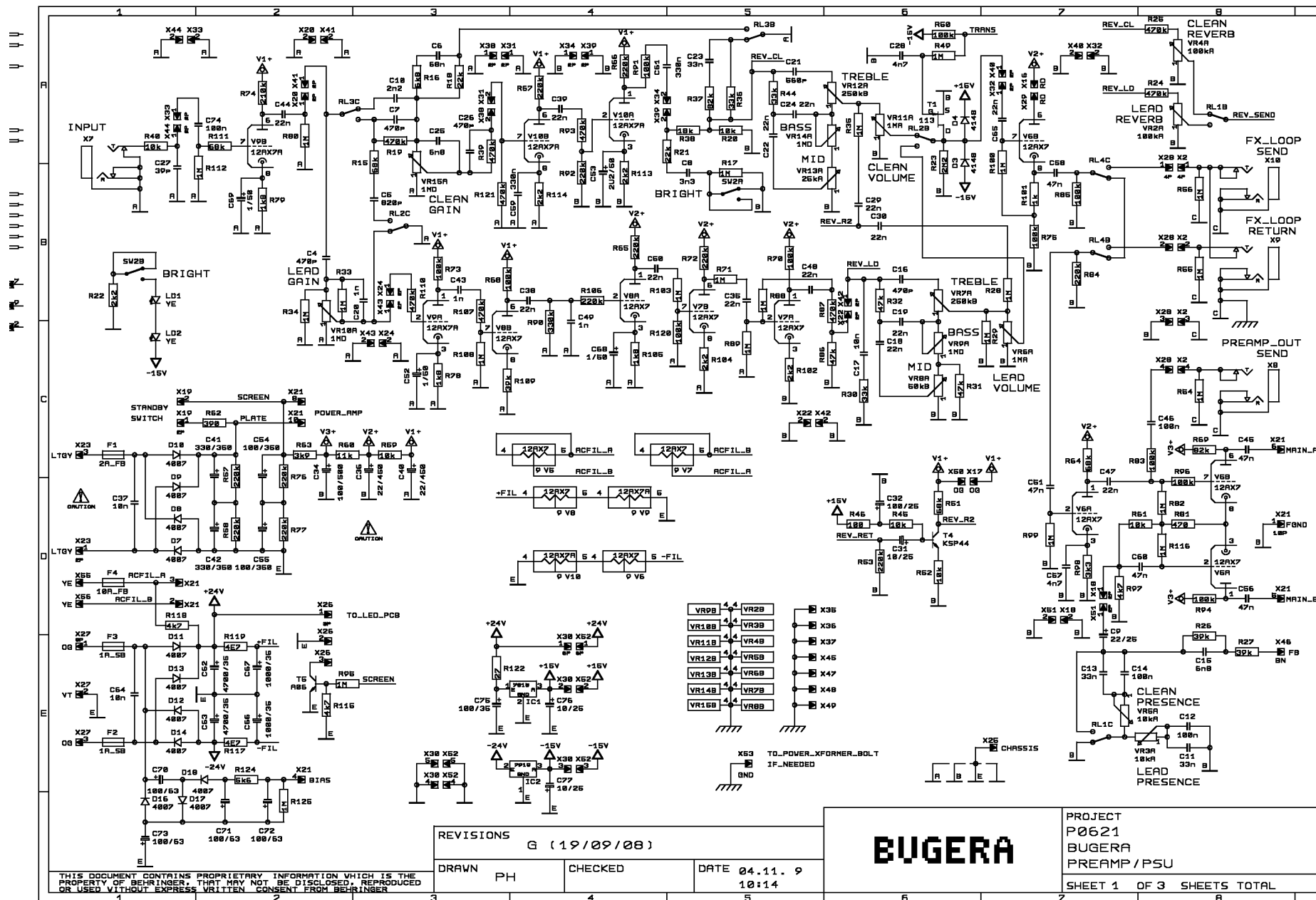


6050

Specifications

- Hand-built 120-Watt guitar combo driven by 4 x 6L6 tubes (convertible to EL34)
- 2 original heavy-duty 12" BUGERA guitar speakers for true vintage sound
- Classic 2-channel preamp design (Clean/Crunch, Lead) featuring 6 x 12AX7 tubes for terrifying punch and mind-blowing gain
- Integrated high-class reverb with dedicated Reverb control for each channel
- Independent Equalizer sections for each channel with dedicated Bass, Mid and Treble controls
- Classic Presence control per channel for awesome sound shaping
- Impedance switch (4, 8 and 16 Ohms) to match virtually any speaker cabinet
- Heavy-duty footswitch for Channel selection and FX Loop function included
- High-quality components and exceptionally rugged construction ensure long life



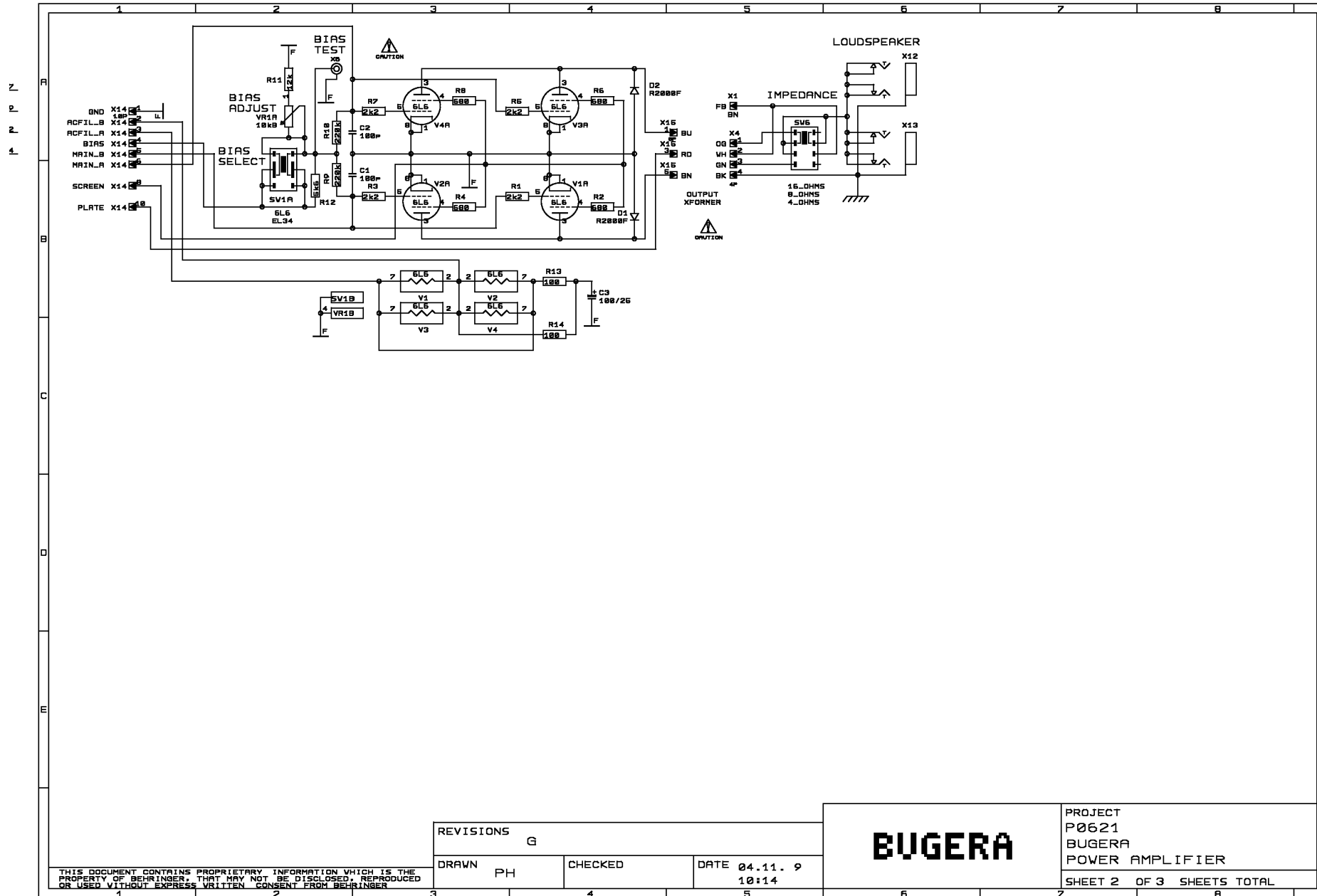


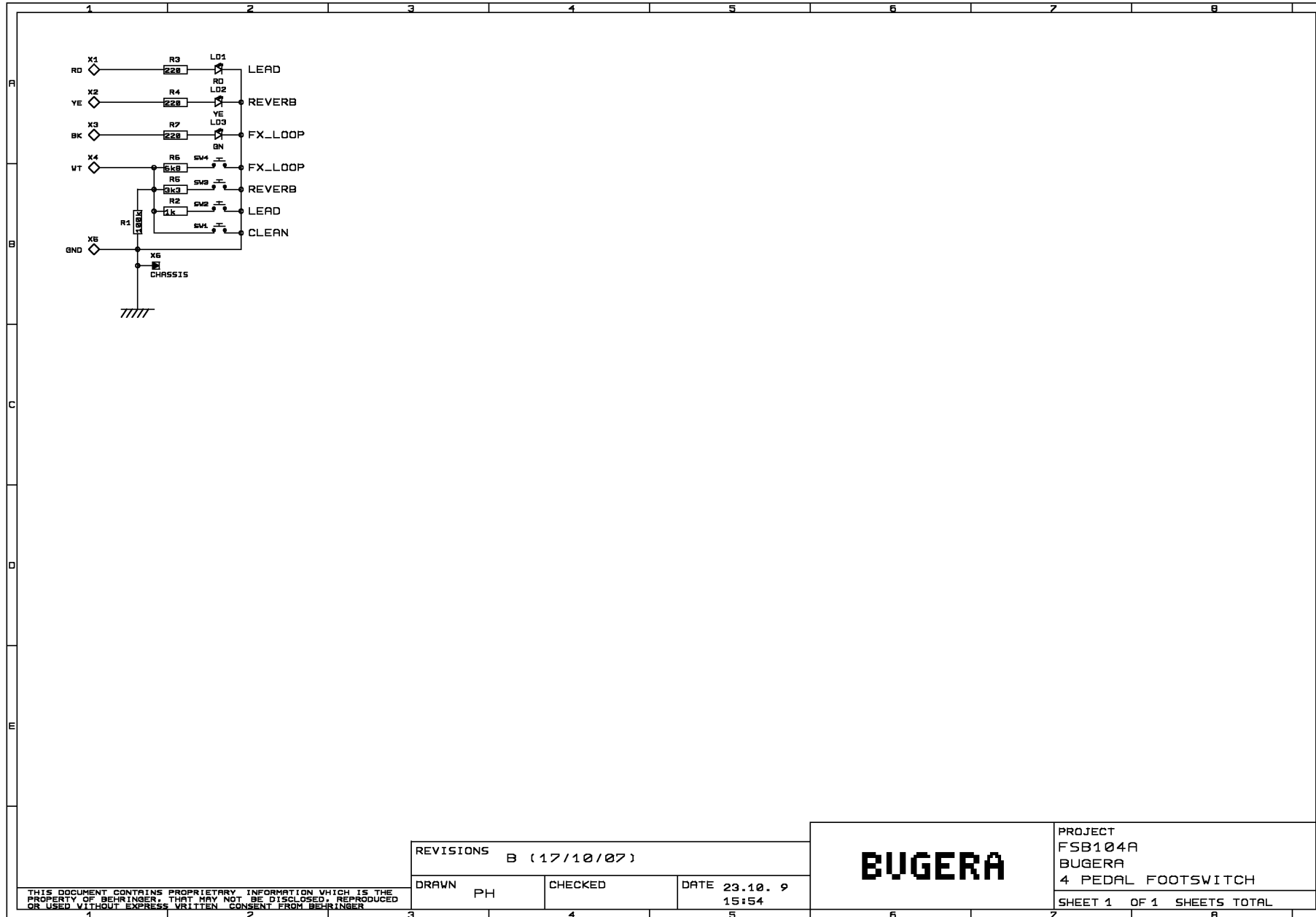
REVISIONS			
G (19/09/08)			
DRAWN	PH	CHECKED	DATE 04.11. 9
			10:14

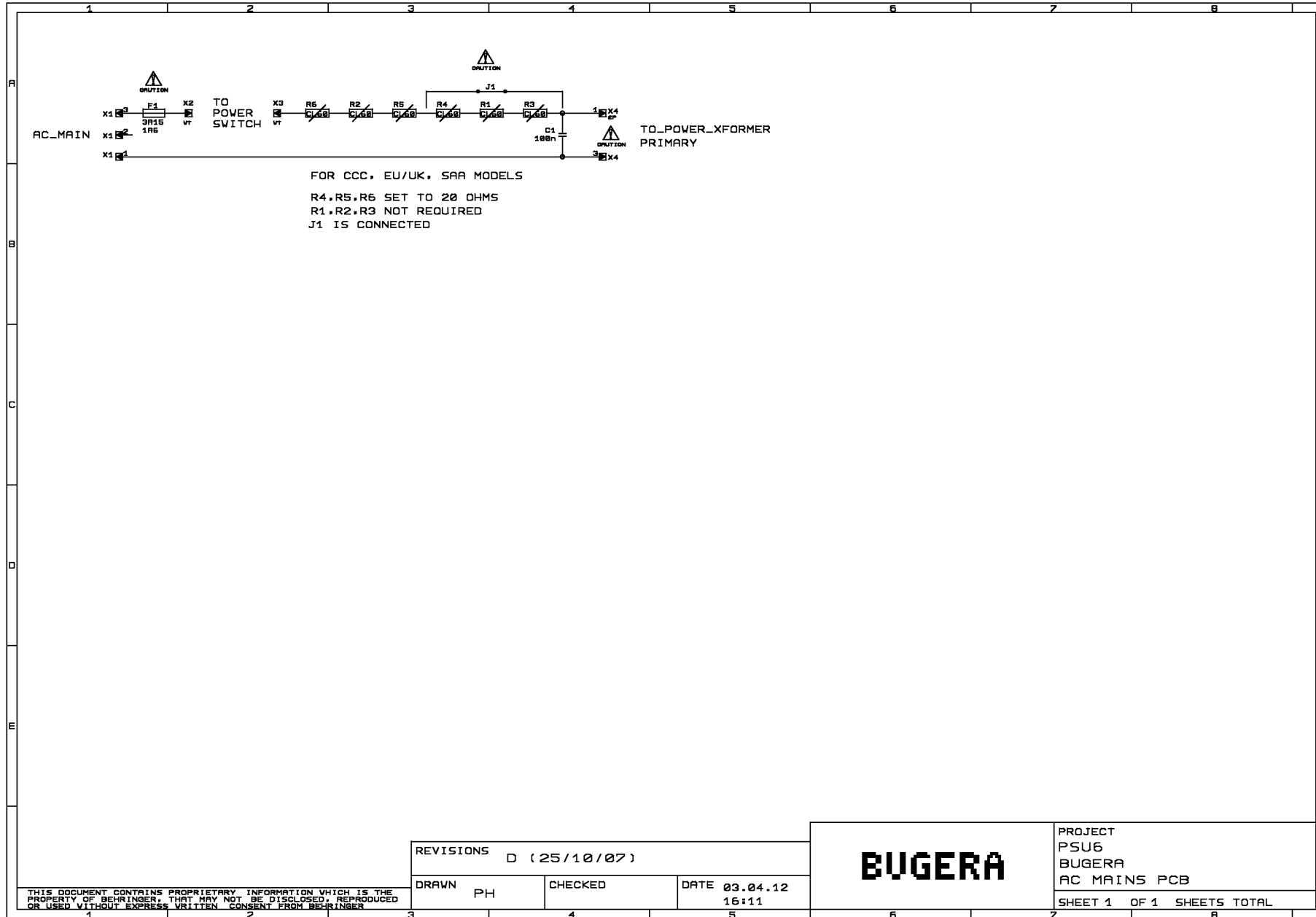
BUGERA

PROJECT
P0621
BUGERA
PREAMP / PSU
SHEET 1 OF 3 SHEETS TOTAL

THIS DOCUMENT CONTAINS PROPRIETARY INFORMATION WHICH IS THE PROPERTY OF BEHRINGER. THAT MAY NOT BE DISCLOSED, REPRODUCED OR USED WITHOUT EXPRESS WRITTEN CONSENT FROM BEHRINGER.







REVISIONS D (25/10/07)		
DRAWN PH	CHECKED	DATE 03.04.12 16:11

BUGERA

PROJECT PSU6 BUGERA AC MAINS PCB
SHEET 1 OF 1 SHEETS TOTAL

THIS DOCUMENT CONTAINS PROPRIETARY INFORMATION WHICH IS THE PROPERTY OF BEHRINGER. THAT MAY NOT BE DISCLOSED, REPRODUCED OR USED WITHOUT EXPRESS WRITTEN CONSENT FROM BEHRINGER.

Hi Pcb Assemblies

	Quantity	Unit	S.Sku	M.Sku	Description	Reference Designators	Notes
1	1.0000	PC	Q05-00000-03551	A05-00000-03551	PCB ASSEMBLY;BDM1;BUGERA;REV:E;HAND INSERT;NO:722080		
2	1.0000	PC		A05-00000-04299	PCB ASSEMBLY;FSB104A;BUGERA;REV:B;HAND INSERT;NO:717100		
3	1.0000	PC	Q05-40800-04604	A05-40800-04604	PCB ASSEMBLY;LED;P0408;REV:A;HAND INSERT;NO:709020		
4	1.0000	PC	Q05-62101-07210	A05-62101-07210	PCB ASSEMBLY;P0621;PCB:01;FRONT;REV:G;HAND INSERT;NO:815090		
5	1.0000	PC	Q05-62102-07211	A05-62102-07211	PCB ASSEMBLY;P0621;PCB:02;MAIN/PRE;REV:G;HAND INSERT;NO:816090		
6	1.0000	PC	Q05-62103-07212	A05-62103-07212	PCB ASSEMBLY;P0621;PCB:03;POWER;REV:G;HAND INSERT;NO:817090		
7	1.0000	PC	Q05-62104-07213	A05-62104-07213	PCB ASSEMBLY;P0621;PCB:04;REAR1;REV:G;HAND INSERT;NO:818090		
8	1.0000	PC		A05-62105-07214	PCB ASSEMBLY;P0621;PCB:05;REAR2;REV:G;HAND INSERT;NO:819090		
9	1.0000	PC	Q05-00000-03555	A05-00000-03555	PCB ASSEMBLY;PSU6;BUGERA;EU-UK-CCC-SAA;REV:D;HAND INSERT;NO:722080		(EU, UK, SAA, AR)
10	1.0000	PC	Q05-00000-03556	A05-00000-03556	PCB ASSEMBLY;PSU6;BUGERA;JP-UL;REV:D;HAND INSERT;NO:722080		(UL, JP, BR, HM, SH)

Cable

	Quantity	Unit	S.Sku	M.Sku	Description	Reference Designators	Notes
1	0.1820	M		A74-00000-00720	WIRE,RAW FLAT CABLE;UL2651;AWG:28;POLES:20;GRAY;PIN1:RED;PITCH:1mm27		
2	1.0000	PC		A74-00051-70720	CABLE;FLAT;P:2mm54;LENGTH:170mm;AWG:28;FC3/FD+10/-0mm;POLES:20	[P0621:01: {1.0}(X54)]	
3	1.0000	PC		A81-00000-01109	WIRE HARNESS;AWG:18;UL1015;3.96 MM;2;COMMON;230 MM;RD/BK		
4	0.0000	PC		A81-02500-26005	WIRE HARNESS;LENGTH:25mm;AWG:26;HOUSING - BOARD IN CONNECTOR;POLES:2;P:2mm;PIN2 RED/OTHERS BLK;PIN 1 IS SHIELDED		
5	1.0000	PC		A81-02500-26805	WIRE HARNESS;LENGTH:25mm;ZEE;AWG:26;HOUSING - BOARD IN CONNECTOR;POLES:2;P:2mm;PIN2 RED/OTHERS BLK;PIN 1 IS SHIELDED	[P0621:02: {1.0}(X34)]	
6	0.0000	PC		A81-05030-56002	WIRE HARNESS;LENGTH:50mm;AWG:26;P:2mm;HOUSING-BOARD IN CONNECTOR;POLES:5;PIN1 RED/OTHERS BLK		
7	1.0000	PC		A81-05030-56802	WIRE HARNESS;LENGTH:50mm;ZEE;AWG:26;UL2468;P:2mm;HOUSING- BOARD IN CONNECTOR;POLES:5;PIN1 RED/OTHERS BLK	[P0621:04: {1.0}(X5)]	
8	0.0000	PC		A81-06030-26045	WIRE HARNESS;LENGTH:60mm;AWG:26;POLES:2;HOUSING - BOARD IN CONNECTOR;P:2mm0;PIN2 RED/OTHERS BLK;PIN 1 SHIELDED		
9	1.0000	PC		A81-06030-26845	WIRE HARNESS;LENGTH:60mm;ZEE;AWG:26;POLES:2;HOUSING - BOARD IN CONNECTOR;P:2mm0;PIN2 RED/OTHERS BLK;PIN 1 SHIELDED	[P0621:02: {1.0}(X31)]	
10	0.0000	PC		A81-07000-26040	WIRE HARNESS;LENGTH:70mm;AWG:26;P:2mm;HOUSING-BOARD IN CONNECTOR;POLES:2;PIN1 RED/OTHERS BLK;PIN 2 IS SHIELDED;SHIELDED_01		
11	2.0000	PC		A81-07000-26840	WIRE HARNESS;LENGTH:70mm;ZEE;AWG:26;P:2mm;HOUSING- BOARD IN CONNECTOR;POLES:2;PIN1 RED/OTHERS BLK;PIN 2 IS SHIELDED	[P0621:02: {2.0}(X20,X32)]	
12	0.0000	PC		A81-11030-26002	WIRE HARNESS;LENGTH:110mm;AWG:26;POLES:2;HOUSING - BOARD IN CONNECTOR;P:2mm;PIN 2 IS SHIELDED;PIN1 RED/OTHERS BLK;SHIELDED_01		
13	1.0000	PC		A81-11030-26802	WIRE HARNESS;LENGTH:110mm;ZEE;AWG:26;POLES:2;HOUSING - BOARD IN CONNECTOR;P:2mm;PIN 2 IS SHIELDED;PIN1 RD/OTHERS BK;SHIELDED_01	[P0621:02: {1.0}(X22)]	
14	0.0000	PC		A81-12071-02042	WIRE HARNESS;LENGTH:120mm;AWG:18;P:3mm96;BOARD IN CONNECTOR - BOARD IN CONNECTOR;POLES:10;PIN1 RED/OTHERS BLK	[P0621:02: {0.0}(X21)]	
15	1.0000	PC		A81-12071-02842	WIRE HARNESS;LENGTH:120mm;ZEE;AWG:18;P:3mm96;BOARD IN CONNECTOR - BOARD IN CONNECTOR;POLES:10;PIN1 RED/OTHERS BLK	[P0621:02: {1.0}(X21)]	
16	0.0000	PC		A81-13030-26040	WIRE HARNESS;LENGTH:130mm;AWG:26;P:2mm;HOUSING-BOARD IN CONNECTOR;POLES:2;PIN1 RED/OTHERS BLK;PIN 2 IS SHIELDED		
17	2.0000	PC		A81-13030-26840	WIRE HARNESS;LENGTH:130mm;ZEE;AWG:26;P:2mm;HOUSING- BOARD IN CONNECTOR;POLES:2;PIN1 RED/OTHERS BLK;PIN 2 IS SHIELDED	[P0621:02: {2.0}(X24,X33)]	
18	0.0000	PC		A81-13030-36005	WIRE HARNESS;LENGTH:130mm;AWG:26;P:2mm0;HOUSING - BOARD IN CONNECTOR;POLES:3;PIN1 RED/OTHERS BLK		
19	1.0000	PC		A81-13030-36805	WIRE HARNESS;LENGTH:130mm;ZEE;AWG:26;P:2mm0;HOUSING - BOARD IN CONNECTOR;POLES:3;PIN1 RED/OTHERS BLK	[LED:00: {1.0}(X1)]	
20	0.0000	PC		A81-15030-66042	WIRE HARNESS;LENGTH:150mm;AWG:26;P:2mm;HOUSING-BOARD IN CONNECTOR;POLES:6;PIN1 RED/OTHERS BLK		
21	1.0000	PC		A81-15030-66840	WIRE HARNESS;LENGTH:150mm;AWG:26;UL2468;P:2mm;ZEE;HOUSING- BOARD IN CONNECTOR;POLES:6;PIN1 RED/OTHERS BLK	[P0621:02: {1.0}(X30)]	
22	0.0000	PC		A81-17030-26040	WIRE HARNESS;LENGTH:170mm;AWG:26;P:2mm;HOUSING-BOARD IN CONNECTOR;POLES:2;PIN1 RED/OTHERS BLK;PIN 2 IS SHIELDED		

	Quantity	Unit	S.Sku	M.Sku	Description	Reference Designators	Notes
23	1.0000	PC		A81-17030-26840	WIRE HARNESS;LENGTH:170mm;ZEE;AWG:26;P:2mm;HOUSING-BOARD IN CONNECTOR;POLES:2;PIN1 RED/OTHERS BLK;PIN 2 IS SHIELDED	[P0621:02: {1.0}{X18}]	
24	0.0000	PC		A81-23070-22022	WIRE HARNESS;LENGTH:230mm;POLES:2;UL1015;P:3mm96;HOUSING - STRIP/TIN		
25	0.0000	PC		A81-28030-46045	WIRE HARNESS;LENGTH:280mm;AWG:26;HOUSING - BOARD IN CONNECTOR;POLES:4;PIN1 RED/OTHERS BLK;P:2mm0;PIN 3 SHIELDED	[P0621:04: {0.0}{X2}]	
26	1.0000	PC		A81-28030-46845	WIRE HARNESS;LENGTH:280mm;ZEE;AWG:26;HOUSING - BOARD IN CONNECTOR;POLES:4;PIN1 RED/OTHERS BLK;P:2mm0;PIN 3 SHIELDED	[P0621:04: {1.0}{X2}]	
27	1.0000	PC	Q88-45002-03732	A88-45002-03732	CABLE;SPEAKER;P0667;LENGTH:450mm;AWG:18;UL1015;6mm35 MONO JACK CONNECTOR ANGLED/2-5.2mm AMP LOCK TAPE;COLOR:BLACK/RED		
28	1.0000	PC	Q89-50051-04596	A89-50051-04596	FOOTSWITCH CABLE;FSB104;LENGTH:5M;POLES:5;COLOR:BLK;CONNECTOR:DIN 5P MALE		
29	1.0000	PC	Q76-15042-05624	A76-15042-05624	CABLE;AC-CORD;W/POLYBAG;LENGTH:150cm;H05VV-F3G0.75MM2;VERSION;UK;SPEC.NO:05624		(UK)
30	1.0000	PC	Q76-15212-03119	A76-15212-03119	CABLE;AC-CORD;W/POLYBAG;LENGTH:152cm;H05VV-F 3G 0.75MM2;VERSION;EU;SPEC.NO:03119		(EU)
31	1.0000	PC	Q76-15222-06417	A76-15222-06417	CABLE;AC-CORD;W/POLYBAG;LENGTH:152cm;AWG:18;VERSION;UL;SPEC.NO:06417		(UL)
32	1.0000	PC	Q76-15032-55649	A76-15032-55649	CABLE;AC-CORD;CLASS II;W/POLYBAG;JAPAN;LENGTH:150cm;POLES:3;APPROVAL:PSE;JS155 3 + VCTF 3x0.75mm2 + V1528		(JP, HM, SH)
33	0.0000	PC		A76-18050-06505	CABLE;AC-CORD;LENGTH:180cm;VERSION:SAA;PLUG:HE105 ISOLATED;SAA H05VV-F 3x0.75mm2;CONN.HP-3;PANYU		(SAA)
34	1.0000	PC	Q76-00000-13573	A76-00000-13573	CABLE;AC-CORD;3;AR;1500 MM;Plug + Connector:321+730;H05VV-F 3G0.75		(AR)
35	1.0000	PC	Q76-00000-05305	A76-00000-05305	CABLE;AC-CORD;3;BR;1500 MM;Plug + Connector:375+730;H05VV-F 3G0.75		(BR)
36	1.0000	PC	Q76-18050-47490	A76-18050-47490	CABLE;AC-CORD;LENGTH:180cm;VERSION:SAA;PLUG:HE105 ISOLATED;SAA H05VV-F 3x0.75mm2;CONN.HP-3;SPEC.NO:47490		(SAA)

Capacitor

	Quantity	Unit	S.Sku	M.Sku	Description	Reference Designators	Notes
1	2.0000	PC			CAP E;47uF;16V;PITCH:2mm5;5mm x 11mm;PRE CUT:3mm2 - 0/+0mm2	[BDM1:00: {2.0}(C1,C4)]	*NOT available in DP
2	2.0000	PC			CAP E;4uF7;25V;PITCH:2mm5;5mm x 11mm;PRE CUT:3mm2 - 0/+0mm2	[BDM1:00: {2.0}(C2,C6)]	*NOT available in DP
3	3.0000	PC			CAP E;10uF;25V;PITCH:2mm5;5mm x 11mm;PRE CUT:3mm2 - 0/+0mm2	[BDM1:00: {3.0}(C5,C7-C8)]	*NOT available in DP
4	1.0000	PC			CAP E;470uF;25V;PITCH:5mm;10mm x 16mm;PRE CUT:3mm2 - 0/+0mm2	[BDM1:00: {1.0}(C3)]	*NOT available in DP
5	2.0000	PC			CAP CER;100pF;50V;10%;PITCH:5mm;DISC;VERTICAL 12.7-15-9mm	[P0621:03: {2.0}(C1-C2)]	*NOT available in DP
6	1.0000	PC			CAP CER;39pF;50V;10%;PITCH:5mm;DISC	[P0621:01: {1.0}(C27)]	*NOT available in DP
7	4.0000	PC			CAP CER;470pF;50V;10%;PITCH:5mm;DISC;PRE CUT:3mm1 +/-0mm5	[P0621:01: {4.0}(C4,C7,C16,C26)]	*NOT available in DP
8	1.0000	PC			CAP CER;560pF;50V;10%;PITCH:5mm;DISC;PRE CUT:3mm1 +/-0mm5	[P0621:01: {1.0}(C21)]	*NOT available in DP
9	1.0000	PC			CAP CER;820pF;50V;10%;PITCH:5mm;PRE CUT:DISC;PRE CUT:3mm1 +/-0mm5	[P0621:01: {1.0}(C5)]	*NOT available in DP
10	2.0000	PC			CAP CER;20pF;50V;20%;SMT603	[BDM1:00: {2.0}(C17,C20)]	*NOT available in DP
11	1.0000	PC			CAP CER;220pF;50V;10%;SMT603	[BDM1:00: {1.0}(C26)]	*NOT available in DP
12	1.0000	PC			CAP CER;2nF2;50V;10%;SMT603	[BDM1:00: {1.0}(C19)]	*NOT available in DP
13	1.0000	PC			CAP CER;6nF8;50V;10%;SMT603	[BDM1:00: {1.0}(C22)]	*NOT available in DP
14	4.0000	PC			CAP CER;10nF;50V;10%;SMT603	[BDM1:00: {4.0}(C10-C13)]	*NOT available in DP
15	1.0000	PC			CAP CER;15nF;50V;10%;SMT603	[BDM1:00: {1.0}(C29)]	*NOT available in DP
16	11.0000	PC			CAP CER;100nF;50V;X7R;10%;SMT805	[BDM1:00: {11.0}(C9,C14-C16,C18,C21,C23-C25,C27-C28)]	*NOT available in DP
17	1.0000	PC			CAP FILM;1nF;63V;MPF;10%;PITCH:5mm;BOX;VERTICAL 12.7-15-9mm	[P0621:02: {1.0}(C49)]	*NOT available in DP
18	1.0000	PC			CAP FILM;330nF;63V;MPF;10%;PITCH:5mm;BOX;VERTICAL 12.7-15-9mm	[P0621:02: {1.0}(C59)]	*NOT available in DP
19	1.0000	PC			CAP FILM;4nF7;63V;MPF;10%;PITCH:5mm;BOX;VERTICAL 12.7-15-9mm	[P0621:02: {1.0}(C57)]	*NOT available in DP
20	1.0000	PC			CAP FILM;1nF;63V;MPF;10%;PITCH:5mm;BOX;PRE CUT:3mm1 +/-0mm5	[P0621:01: {1.0}(C20)]	*NOT available in DP
21	1.0000	PC			CAP FILM;2nF2;63V;MPF;10%;PITCH:5mm;BOX;PRE CUT:3mm1 +/-0mm5	[P0621:01: {1.0}(C10)]	*NOT available in DP
22	1.0000	PC			CAP FILM;3nF3;63V;MPF;10%;PITCH:5mm;BOX;PRE CUT:3mm1 +/-0mm5	[P0621:01: {1.0}(C8)]	*NOT available in DP
23	2.0000	PC			CAP FILM;6nF8;63V;MPF;10%;PITCH:5mm;BOX;PRE CUT:3mm1 +/-0mm5	[P0621:01: {2.0}(C15,C25)]	*NOT available in DP
24	1.0000	PC			CAP FILM;10nF;63V;MPF;10%;PITCH:5mm;BOX;PRE CUT:3mm1 +/-0mm5	[P0621:01: {1.0}(C17)]	*NOT available in DP
25	4.0000	PC			CAP FILM;22nF;63V;MPF;10%;PITCH:5mm;BOX;PRE CUT:3mm1 +/-0mm5	[P0621:01: {4.0}(C18-C19,C22,C24)]	*NOT available in DP
26	3.0000	PC			CAP FILM;33nF;63V;MPF;10%;PITCH:5mm;BOX;PRE CUT:3mm1 +/-0mm5	[P0621:01: {3.0}(C11,C13,C23)]	*NOT available in DP
27	1.0000	PC			CAP FILM;68nF;63V;MPF;10%;PITCH:5mm;BOX;PRE CUT:3mm1 +/-0mm5	[P0621:01: {1.0}(C6)]	*NOT available in DP
28	2.0000	PC			CAP FILM;100nF;63V;MPF;10%;PITCH:5mm;BOX;PRE CUT:3mm1 +/-0mm5	[P0621:01: {2.0}(C12,C14)]	*NOT available in DP
29	1.0000	PC			CAP FILM;4nF7;63V;MPF;10%;PITCH:5mm;BOX;PRE CUT:3mm1 +/-0mm5	[P0621:01: {1.0}(C28)]	*NOT available in DP
30	2.0000	PC			CAP E;22uF;450V;20%;PITCH:5mm;13mm x 25mm;105C;VERTICAL 12.7-15-9mm	[P0621:02: {2.0}(C36,C40)]	*NOT available in DP
31	2.0000	PC			CAP E;100uF;350V;20%;PITCH:7mm5;18mm x 32mm;PRE CUT:3mm2 -0/+0mm2;105C	[P0621:02: {2.0}(C54-C55)]	*NOT available in DP
32	2.0000	PC			CAP E;330uF;350V;20%;PITCH:10mm;22mm x 50mm;105C;SNAP-IN	[P0621:02: {2.0}(C41-C42)]	*NOT available in DP

	Quantity	Unit	S.Sku	M.Sku	Description	Reference Designators	Notes
33	1.0000	PC			CAP E;100uF;500V;20%;PITCH:7mm5;18mm x 40mm;105??C;SNAP-IN	[P0621:02:{1.0}(C34)]	*NOT available in DP
34	1.0000	PC	R12-32100-04351	B12-32100-04351	CAP X2;100nF;275V;PITCH:15mm;CASE:8mm5 x 18mm;CASE:8mm5 x 18mm;PRECUT:3.1mm+/-0mm5	[PSU6:00:{1.0}(C11)]	
35	2.0000	PC			CAP CER;10nF;1KV;20%;PITCH:10mm;DISC;PRECUT:3mm1 +/-0mm5	[P0621:02:{2.0}(C37,C64)]	*NOT available in DP
36	1.0000	PC			CAP FILM;1nF;400V;MPF;10%;PITCH:5mm;BOX; VERTICAL 12.7-15-9mm	[P0621:02:{1.0}(C43)]	*NOT available in DP
37	8.0000	PC			CAP FILM;22nF;400V;MPF;10%;PITCH:5mm;VERTICAL 12.7-15-9mm	[P0621:02:{8.0}(C35,C38-C39,C44,C47-C48,C50,C65)]	*NOT available in DP
38	5.0000	PC			CAP FILM;47nF;400V;MPF;10%;PITCH:5mm;BOX;VERTICAL 12.7-15-9mm	[P0621:02:{5.0}(C45,C51,C56,C58,C60)]	*NOT available in DP
39	2.0000	PC			CAP FILM;100nF;250V;MPF;10%;PITCH:5mm;VERTICAL 12.7-15-9mm	[P0621:02:{2.0}(C46,C74)]	*NOT available in DP
40	2.0000	PC			CAP FILM;22nF;400V;MPF;10%;PITCH:5mm;PRECUT:3mm1 +/-0mm5	[P0621:01:{2.0}(C29-C30)]	*NOT available in DP
41	1.0000	PC			CAP FILM;330nF;400V;MPF;10%;PITCH:22mm5;BOX;PRECUT:3mm1 +/-0mm5	[P0621:02:{1.0}(C61)]	*NOT available in DP
42	2.0000	PC			CAP E;10uF;25V;PITCH:2mm5;5mm x 11mm;105C;VERTICAL 12.7-15-9mm	[P0621:02:{2.0}(C76-C77)]	*NOT available in DP
43	1.0000	PC			CAP E;100uF;25V;PITCH:2mm5;6mm3 x 11mm;105C;VERTICAL 12.7-15-9mm	[P0621:03:{1.0}(C3)]	*NOT available in DP
44	2.0000	PC			CAP E;1mF;35V;PITCH:5mm;13mm x 21mm;105C;VERTICAL 12.7-15-9mm	[P0621:02:{2.0}(C66-C67)]	*NOT available in DP
45	3.0000	PC			CAP E;1uF;50V;PITCH:2mm5;5mm x 11mm;105C;VERTICAL 12.7-15-9mm	[P0621:02:{3.0}(C52,C68-C69)]	*NOT available in DP
46	1.0000	PC			CAP E;2uF2;50V;PITCH:2mm5;5mm x 11mm;VERTICAL 12.7-15-9mm	[P0621:02:{1.0}(C53)]	*NOT available in DP
47	4.0000	PC			CAP E;100uF;63V;PITCH:5mm; ;10mm x 12.5mm;VERTICAL 12.7-15-9mm	[P0621:02:{4.0}(C70-C73)]	*NOT available in DP
48	1.0000	PC			CAP E;10uF;25V;PITCH:2mm5;5mm x 11mm;PRECUT:3mm2 - 0/+0mm2;105C	[P0621:01:{1.0}(C31)]	*NOT available in DP
49	1.0000	PC			CAP E;22uF;25V;PITCH:2mm5;5mmx11mm;PRECUT:3mm2 - 0/+0mm2	[P0621:01:{1.0}(C9)]	*NOT available in DP
50	1.0000	PC			CAP E;100uF;25V;PITCH:2mm5;6mm x 11mm;PRECUT:3mm2 - 0/+0mm2;105C	[P0621:01:{1.0}(C32)]	*NOT available in DP
51	2.0000	PC			CAP E;4mF7;35V;PITCH:7mm5;18mm x 35mm;PRECUT:3mm2 - 0/+0mm2	[P0621:02:{2.0}(C62-C63)]	*NOT available in DP
52	1.0000	PC			CAP E;100uF;35V;PITCH:3mm5;8mm x 12mm;PRECUT:3mm2 - 0/+0mm2;105C	[P0621:02:{1.0}(C75)]	*NOT available in DP

Circuit Protector

	Quantity	Unit	S.Sku	M.Sku	Description	Reference Designators	Notes
1	8.0000	PC	R21-15201-52000	B21-15201-52000	FUSE CLIP;2 A;V;ZINC PLATING;250V;SERIES;520;FUSE;250 V;PLATING		
2	2.0000	PC	R22-01513-10001	B22-01513-10001	FUSE;1A0;250V;SLOW BLOW;H-TYPE;5mm x 20mm	[P0621:02:{2.0}(F2-F3)]	
3	1.0000	PC		B22-01613-20001	FUSE;2A;250V;FAST BLOW;H-TYPE;5mm x 20mm	[P0621:02:{1.0}(F1)]	
4	1.0000	PC		B22-01614-10004	FUSE;10A;250V;FAST BLOW;H-TYPE;5mm x 20mm	[P0621:02:{1.0}(F4)]	
5	1.0000	PC	R22-01513-16001	B22-01513-16001	FUSE;1A6;250V;SLOW BLOW;H-TYPE;5mm x 20mm		(EU, UK, SAA, AR)
6	1.0000	PC	R22-01513-31501	B22-01513-31501	FUSE;3A15;250V;SLOW BLOW;H-TYPE;5mm x 20mm		(UL, JP, BR, HM, SH)

Coil

	Quantity	Unit	S.Sku	M.Sku	Description	Reference Designators	Notes
1	2.0000	PC	R39-00000-03394	B39-00000-03394	COIL;SMD;BEAD;SMD0805;(BLM21BD751SN1D)	[BDM1:00:{2.0}(L1-L2)]	

Connector

	Quantity	Unit	S.Sku	M.Sku	Description	Reference Designators	Notes
1	2.0000	PC	R84-00000-01620	B84-00000-01620	AMP TERMINAL;BRASS W TIN;7205A-BS-2		
2	16.0000	PC	R84-19056-06015	B84-19056-06015	CONNECTOR;TERMINAL;BRASS W TIN;AWG16-22;JS-4008-T		
3	2.0000	PC	R84-22000-06018	B84-22000-06018	CRIMP TERMINAL;PITCH:3mm96;AWG18-22;A3963TOP-2		
4	34.0000	PC	R84-25016-06014	B84-25016-06014	CRIMP TERMINAL;PITCH:2mm0;AWG24-30;A2008TOP-2		
5	2.0000	PC	R84-30000-06293	B84-30000-06293	JACKET;FOR 205 TERMINAL;DIA:4mm		
6	2.0000	PC	R84-30046-39242	B84-30046-39242	CONNECTOR;AMP CONN TERMINAL;MATERIAL:PAPER FIBRE;QUADRUPLE;(BWF38703003-TERMINAL-REVA.DWG)		
7	3.0000	PC	R84-30060-06009	B84-30060-06009	JACKET;FOR 6mm35 AMP CONNECTOR;PVC;STRAIGHT;DIAMETER:4mm		
8	3.0000	PC		B84-32050-05839	CRIMP CONNECTOR;AMP;RECEPTABLE;6mm3 x 7mm5;AWG 14-18;WIRE MOUNT;STRAIGHT;250 SERIES		
9	5.0000	PC	R84-39000-03120	B84-39000-03120	CONNECTOR;AMP;PCB;PCB MOUNT;PITCH:5mm;WIDTH:6mm3	[P0621:01: {2.0}{(X46,X50)}]	
10	1.0000	PC		B84-42050-00155	CRIMP CONNECTOR;LUG;INNER DIA:4mm3;AWG 14-18;WIRE MOUNT;STRAIGHT		
11	1.0000	PC	R93-60700-03161	B93-60700-03161	CONNECTOR;BARE JUMPER;WIRE DIAMETER:0mm7;LENGTH:7mm	[PSU6:00: {1.0}{(J1)}]	
12	2.0000	PC	R93-61007-01172	B93-61007-01172	CONNECTOR;BARE JUMPER;WIRE DIAMETER:0mm7;LENGTH:10mm	[PSU6:00: {2.0}{(R2,R6)}]	

Diode

	Quantity	Unit	S.Sku	M.Sku	Description	Reference Designators	Notes
1	5.0000	PC			DIODE;1N4148;DO35	[P0621:01: {4.0}{(D3-D6)}]	*NOT available in DP
2	11.0000	PC			DIODE;1N4007;DO41	[P0621:02: {11.0}{(D7-D14,D16-D18)}]	*NOT available in DP
3	10.0000	PC			DIODE;LL4148;LL34;TEMIC OR FC	[BDM1:00: {10.0}{(D1-D10)}]	*NOT available in DP
4	2.0000	PC			DIODE;RECTIFIER;R2000F;DO41;TAPING	[P0621:03: {2.0}{(D1-D2)}]	*NOT available in DP

Hardware

	Quantity	Unit	S.Sku	M.Sku	Description	Reference Designators	Notes
1	70.0000	PC			NAIL;CROWN:2mm2;WIDTH:1mm27;THICKNESS:1mm0;LENGTH:25mm;18-GAUGE (0.49*0.40) FINISH;GALVANIZED		*NOT available in DP
2	40.0000	PC			NAIL;CROWN:2mm2;WIDTH:1mm27;THICKNESS:1mm0;LENGTH:30mm;18-GAUGE (0.49*0.40) FINISH;GALVANIZED		*NOT available in DP
3	50.0000	PC			NAIL;STAPLE;CROWN 10mm;LEGLNGTH:10mm;WIDTH:1.2mm;THICKNESS:0mm6;FINISH:GALVANIZED		*NOT available in DP
4	100.0000	PC			NAIL;STAPLE;CROWN 10mm;LEGLNGTH:6mm;WIDTH:1.2mm;THICKNESS:0mm6;FINISH:GALVANIZED		*NOT available in DP
5	7.0000	PC			CABLE TIE;NYLON;4in;COLOR:		*NOT available in DP
6	3.0000	PC			HEX.NUT;INNER DIA;M3mm;SURFACE:ZINC		*NOT available in DP
7	11.0000	PC			T-NUT;INNER DIA;M4mm;W/PRONG;SURFACE:ZINC/BLACK		*NOT available in DP
8	9.0000	PC			HEX. NUT;INNER DIA;M4mm;SURFACE:ZINC		*NOT available in DP
9	8.0000	PC			T-NUT;INNER DIA;M5mm;THICK:8mmW/PRONG;SURFACE:ZINC;COLOR:BLACK		*NOT available in DP
10	4.0000	PC			HEX. NUT;THREAD:9mm;THICKNESS:2mm;PITCH:0mm75;SURFACE:NICKEL;(PHONE JACK)		*NOT available in DP
11	5.0000	PC			HEX. NUT;FOR JACK;M3/8in;HEXWRENCH:11mm;THICKNESS:2mm;SURFACE:NICKEL/SLV		*NOT available in DP
12	1.0000	PC			OCT. NUT;FOR JACK;3/8in;OCTWRENCH:14.5mm;THICKNESS:3.5mm;SURFACE:NICKEL/SILVER		*NOT available in DP
13	2.0000	PC			STEEL ROUND NUT WITH HOLE;INNER DIA:12mm;M12;ROUND;PITCH=0.75mm;SURFACE:ZINC		*NOT available in DP
14	2.0000	PC			HEX. NUT;INNER DIA:13mm;SURFACE:ZINC		*NOT available in DP
15	4.0000	PC	V87-00200-10103	F87-00200-10103	RUBBER BUSHING;I00172P;DST.NO:002;DPT.NO:10103;(I00172P-RUBBER_BUSHING-REV.B.dwg)		WIRE PROTECTION
16	4.0000	PC		F87-01000-12070	PAD;RUBBER;6mm*2mm5;COLOR:BLK;DWG.NO:12070;(R14-GUITAR-RUBBERPAD-REV.B.DWG)		
17	14.0000	PC			SCREW;M3mm*3mm;HEAD:PAN WASHER DIA 4mm5;INSERT:PHILIPS REC.;SURFACE:BLACK/ZINC		*NOT available in DP
18	8.0000	PC			SCREW;M3mm*6mm;HEAD:PAN;INSERT:PHILIPS REC.;SURFACE:SILVER/ZINC		*NOT available in DP
19	25.0000	PC			SCREW;M3mm*6mm;HEAD:PAN;INSERT:PHILIPS REC.;SURFACE:BLACK/ZINC		*NOT available in DP
20	6.0000	PC			SCREW;M3mm*6mm;PITCH:0mm5;HEAD:FLAT;INSERT:PHILIPS REC.;SURFACE:BLACK/ZINC		*NOT available in DP
21	12.0000	PC			SCREW;BT3mm*8mm;HEAD:PAN;INSERT:PHILIPS REC.;SURFACE:BLACK/ZINC		*NOT available in DP
22	2.0000	PC			SCREW;M3mm*10mm;HEAD:PAN;INSERT:PHILIPS REC.;SURFACE:SILVER ZINC		*NOT available in DP
23	5.0000	PC			SCREW;M3mm*10mm;HEAD:PAN;INSERT:PHILIPS REC.;SURFACE:BLACK/ZINC		*NOT available in DP
24	1.0000	PC			SCREW;M4mm*10mm;HEAD:BINDING;INSERT:PHILIPS REC.;SURFACE:SILVER/ZINC		*NOT available in DP
25	8.0000	PC			SCREW;M4mm*12mm;HEAD:BINDING;INSERT:PHILIPS REC.;SURFACE:SILVER/ZINC		*NOT available in DP
26	16.0000	PC			SCREW;A4mm*13mm;HEAD:TRUSS;INSERT:PHILIPS REC.;SURFACE:CR(III)		*NOT available in DP
27	6.0000	PC			SCREW;M4mm*25mm;HEAD:PAN;INSERT:PHILIPS REC.;SURFACE:BLACK/ZINC		*NOT available in DP
28	5.0000	PC			SCREW;A4mm*30mm;HEAD:TRUSS;INSERT:PHILIPS REC.;SURFACE:BLACK/ZINC		*NOT available in DP

	Quantity	Unit	S.Sku	M.Sku	Description	Reference Designators	Notes
29	2.0000	PC			SCREW;M4mm*30mm;HEAD:OVAL;INSERT:PHILIPS REC.;SURFACE:BLACK/ZINC		*NOT available in DP
30	4.0000	PC			SCREW;M4mm*33mm;HEAD:OVAL;INSERT:PHILIPS REC.;SURFACE:BLACK/ZINC		*NOT available in DP
31	11.0000	PC			SCREW;M4mm*38mm;HEAD:TRUSS;INSERT:PHILIPS REC.;SURFACE:ZINC/BLACK		*NOT available in DP
32	4.0000	PC			SCREW;M5mm*20mm;HEAD:PAN;INSERT:PHILIPS REC.;SURFACE:BLACK/ZINC		*NOT available in DP
33	4.0000	PC			SCREW;M5mm*22mm;HEAD:OVAL;INSERT:PHILIPS REC.;SURFACE:SILVER/CHROME		*NOT available in DP
34	8.0000	PC			SCREW;M5mm*25mm;HEAD:PAN;INSERT:PHILIPS REC.;SURFACE:BLACK/ZINC		*NOT available in DP
35	1.0000	PC			METAL;SHIELD;I00306P;DST.NO:001;DPT.NO:08985;(I00306P-SHIELD-REVA.DWG)		*NOT available in DP
36	1.0000	PC			SILICA GEL;MASS;30g;SPEC.NO:30QB-BB2001-4		*NOT available in DP
37	4.0000	PC			CLIP-ON NUT;SQUARE STYLE;FOR M4 NUTS;PANEL THICKNESS:0mm4 TO 0mm6;SURFACE:ZINC/SILVER;(LAN-XIN LXJ12A)		*NOT available in DP
38	4.0000	PC			SPRING;CYLINDRICAL;F5112;6mm*14mm8;CARBON STEEL;DWG. NO:04288;(R14-FCB1010-SPRING-REVA.DWG)		*NOT available in DP
39	0.4500	M			SHRINKING TUBE;INNER DIA;1mm;SPEC.NO:43217		*NOT available in DP
40	212.0000	MM			SHRINKING TUBE;INNER DIA;2MM;SPEC NO:15747		*NOT available in DP
41	0.0500	M			SHRINKING TUBE;INNER DIA;4mm;SPEC.NO:01098		*NOT available in DP
42	0.0800	M			SHRINKING TUBE;INNER DIA:20mm;THICKNESS:0mm5		*NOT available in DP
43	1.0000	PC			WASHER;9.7 MM;16 MM;NICKEL;WHITE;WASHER;FLAT;DIM:9.7*16*0.5mm;NIC		*NOT available in DP
44	4.0000	PC			WASHER;PLAIN;INNER DIA:3mm;OUTER DIA:6mm;THICKNESS:0mm5		*NOT available in DP
45	16.0000	PC			WASHER;PLAIN;INNER DIA:4mm;OUTER DIA:8mm;THICKNESS:1mm;PLATING;NICKEL		*NOT available in DP
46	8.0000	PC			WASHER;PLAIN;INNER DIA:5mm1;OUTER DIA:11mm;THICKNESS:1mm;PLATING;NICKEL		*NOT available in DP
47	9.0000	PC			WASHER;PLAIN;INNER DIA:9mm6;OUTER DIA:13mm;THICKNESS:0mm5;PLATING;NICKEL		*NOT available in DP
48	4.0000	PC			WASHER;PLAIN;INNER DIA:12mm3;OUTER DIA:16mm6;THICKNESS:0mm5;SURFACE:NICKEL/SILVER		*NOT available in DP
49	2.0000	PC			WASHER;SPRING;INNER DIA:14mm5;OUTER DIA:17mm;THICKNESS:1mm5;PLATING;NICKEL		*NOT available in DP
50	2.0000	PC			WASHER;EXTERNAL TEETH;INNER DIA:3mm;OUTER DIA:6mm;THICKNESS:0mm5		*NOT available in DP
51	2.0000	PC			WASHER;EXTERNAL TEETH;INNER DIA:3mm;OUTER DIA:6mm;THICKNESS:0mm5;PLATING:CR(III)		*NOT available in DP
52	18.0000	PC			WASHER;EXTERNAL TEETH;INNER DIA:4mm;OUTER DIA:7mm;THICKNESS:1mm7		*NOT available in DP
53	6.0000	PC			WASHER;DONUT;INNER DIA:5mm5;OUTER DIA:16mm;THICKNESS:2mm6;PLATING;BLACK/ZINC		*NOT available in DP
54	0.2480	G		F97-00100-02478	PAPER,KRAFT;WIDTH:300mm;THICKNESS:0mm05		
55	1.0000	PC		F97-00100-08078	SLIDE SWITCH FOAM;I00224P;DST.NO:001;DPT.NO:08078;(I00224P-SLIDE_SWITCH_FOAM-REVA.DWG)		SWITCH PROTECTION
56	2.0000	PC		F97-00100-10030	PAPERBOARD B;I00338P;DST.NO:001;DPT.NO:10030;(I00338P-PAPERBOARD_B-REVA.dwf)		
57	1.0000	PC		F97-17000-15555	SHEET;FOAM;F5114;FOOTSWITCH;W/ DURABLE ADHESIVE;DWG.NO:15555;(R14-F5114-FOAM-REVA.DWG)		
58	1.0000	PC			BUSHING;CABLE;F5112;NYLON;DWG.NO:04141;(R14-CABLEBUSHING-REVA.DWG)		*NOT available in DP
59	1.0000	PC			SCREW;M4mm*10mm;HEAD:BINDING;INSERT:PHILIPS REC.;SURFACE:SILVER/ZINC		*NOT available in DP

	Quantity	Unit	S.Sku	M.Sku	Description	Reference Designators	Notes
60	4.0000	PC			HEX. NUT;THREAD:9mm;THICKNESS:2mm;PITCH:0mm75;SURFACE:NICKEL;(PHONE JACK)		*NOT available in DP
61	5.0000	PC			HEX. NUT;FOR JACK;M 3/8In;HEXWRENCH:11mm;THICKNESS:2mm;SURFACE:NICKEL/SLV		*NOT available in DP
62	11.0000	PC			SCREW;M4mm*38mm;HEAD:TRUSS;INSERT:PHILIPS REC.;SURFACE:ZINC/BLACK		*NOT available in DP
63	8.0000	PC			WASHER;PLAIN;INNER DIA:5mm1;OUTER DIA:11mm;THICKNESS:1mm;PLATING:NICKEL		*NOT available in DP
64	16.0000	PC			WASHER;PLAIN;INNER DIA:4mm;OUTER DIA:8mm;THICKNESS:1mm;PLATING:NICKEL		*NOT available in DP
65	9.0000	PC			HEX. NUT;INNER DIA:M4mm;SURFACE:ZINC		*NOT available in DP
66	2.0000	PC			HEX. NUT;INNER DIA:13mm;SURFACE:ZINC		*NOT available in DP
67	1.0000	PC			METAL;SHIELD;I00306P;DST.NO:001;DPT.NO:08985;(I00306P-SHIELD-REVA.DWG)		*NOT available in DP
68	8.0000	PC			SCREW;M4mm*12mm;HEAD:BINDING;INSERT:PHILIPS REC.;SURFACE:SILVER/ZINC		*NOT available in DP
69	6.0000	PC			WASHER;DONUT;INNER DIA:5mm5;OUTER DIA:16mm;THICKNESS:2mm6;PLATING:BLACK/ZINC		*NOT available in DP
70	5.0000	PC			SCREW;A4mm*30mm;HEAD:TRUSS;INSERT:PHILIPS REC.;SURFACE:BLACK/ZINC		*NOT available in DP
71	4.0000	PC			SCREW;M4mm*33mm;HEAD:OVAL;INSERT:PHILIPS REC.;SURFACE:BLACK/ZINC		*NOT available in DP
72	9.0000	PC			WASHER;PLAIN;INNER DIA:9mm6;OUTER DIA:13mm;THICKNESS:0mm5;PLATING:NICKEL		*NOT available in DP
73	4.0000	PC			CLIP-ON NUT;SQUARE STYLE;FOR M4 NUTS;PANEL THICKNESS:0mm4 TO 0mm6;SURFACE:ZINC/SILVER;(LAN-XIN LXJ12A)		*NOT available in DP
74	1.0000	PC		F97-00100-08078	SLIDE SWITCH FOAM;I00224P;DST.NO:001;DPT.NO:08078;(I00224P-SLIDE_SWITCH_FOAM-REVA.DWG)		(EU, UL, JP, UK, SAA, BR, AR, HM)
75	2.0000	PC			WASHER;EXTERNAL TEETH;INNER DIA:3mm;OUTER DIA:6mm;THICKNESS:0mm5;PLATING:CR(III)		*NOT available in DP
76	8.0000	PC			SCREW;M3mm*6mm;HEAD:PAN;INSERT:PHILIPS REC.;SURFACE:SILVER/ZINC		*NOT available in DP
77	25.0000	PC			SCREW;M3mm*6mm;HEAD:PAN;INSERT:PHILLIPS REC.;SURFACE:BLACK/ZINC		*NOT available in DP
78	6.0000	PC			SCREW;M4mm*25mm;HEAD:PAN;INSERT:PHILIPS REC.;SURFACE:BLACK/ZINC		*NOT available in DP
79	2.0000	PC			SCREW;M4mm*30mm;HEAD:OVAL;INSERT:PHILIPS REC.;SURFACE:BLACK/ZINC		*NOT available in DP
80	4.0000	PC			SCREW;M5mm*20mm;HEAD:PAN;INSERT:PHILIPS REC.;SURFACE:BLACK/ZINC		*NOT available in DP
81	4.0000	PC	V87-00200-10103	F87-00200-10103	RUBBER BUSHING;I00172P;DST.NO:002;DPT.NO:10103;(I00172P-RUBBER_BUSHING-REVB.dwf)		(EU, UL, JP, UK, SAA, BR, AR, HM)
82	4.0000	PC			WASHER;PLAIN;INNER DIA:12mm3;OUTER DIA:16mm6;THICKNESS:0mm5;SURFACE:NICKEL/SILVER		*NOT available in DP
83	18.0000	PC			WASHER;EXTERNAL TEETH;INNER DIA:4mm;OUTER DIA:7mm;THICKNESS:1mm7		*NOT available in DP
84	2.0000	PC			WASHER;SPRING;INNER DIA:14mm5;OUTER DIA:17mm;THICKNESS:1mm5;PLATING:NICKEL		*NOT available in DP
85	8.0000	PC			SCREW;M5mm*25mm;HEAD:PAN;INSERT:PHILIPS REC.;SURFACE:BLACK/ZINC		*NOT available in DP

Ic

	Quantity	Unit	S.Sku	M.Sku	Description	Reference Designators	Notes
1	1.0000	PC	S60-54422-00528	C60-22422-00528	IC;AD/DA;V4220M;SSOP	[BDM1:00: {1.0}{IC3}]	
2	1.0000	PC		C60-54422-00528	IC;AD/DA;CS4220;SOP		
3	1.0000	PC	S73-58007-22208	C73-58007-22208	IC;OPAMP OPAMP;TL072;SOP;BRAND:ST ONLY	[BDM1:00: {1.0}{IC5}]	
4	1.0000	PC	S77-05107-03010	C77-05107-03010	IC;VOLT.REGULATOR;7805;TO220	[BDM1:00: {1.0}{IC1}]	
5	1.0000	PC	S77-15107-03110	C77-15107-03110	IC;VOLT.REGULATOR;7815F;FULLPACK;TO220	[P0621:02: {1.0}{IC1}]	
6	1.0000	PC	S77-15207-03110	C77-15207-03110	IC;VOLT.REGULATOR;7915F;FULLPACK;TO220	[P0621:02: {1.0}{IC2}]	
7	1.0000	PC	T12-00100-02216	D12-00100-02217	IC;DIG COMM.;EUROTEC;V1000;SOIC	[BDM1:00: {1.0}{IC2}]	
8	1.0000	PC	T24-18081-61832	D24-18081-61832	IC;MICROCONTROLLER;ATMEGA8A-AU;SMD;TQFP32	[BDM1:00: {1.0}{IC4}]	

Led

	Quantity	Unit	S.Sku	M.Sku	Description	Reference Designators	Notes
1	1.0000	PC	U10-53565-00588	E10-53565-00588	LED HIB;3mm ROUND;GREEN	[FSB104A:00: {1.0}{LD3}]	
2	2.0000	PC	U10-53565-00589	E10-53565-00589	LED HIB;3mm ROUND;GREEN;3MM ROUND NO BOTTOM RING	[P0621:01: {2.0}{LD7-LD8}]	
3	1.0000	PC	U10-59585-00592	E10-59585-00592	LED HIB;3mm ROUND;YELLOW	[FSB104A:00: {1.0}{LD2}]	
4	4.0000	PC		E10-59585-00593	LED HIB;3mm ROUND;YELLOW;NO BOTTOM RING	[P0621:01: {4.0}{LD1-LD2,LD5-LD6}]	
5	2.0000	PC	U10-65468-02708	E10-65468-02708	LED SUB;5mm ROUND;BLUE;REFLECTOR;WATER CLEAR;WAVELENGTH:468 nm;53B3SCA08	[LED:00: {2.0}{LD1-LD2}]	
6	1.0000	PC	U12-57630-00590	E12-57630-00590	LED;3mm ROUND;RD	[FSB104A:00: {1.0}{LD1}]	
7	2.0000	PC		E12-57630-00591	LED;RD;3mm ROUND NO BOTTOM RING	[P0621:01: {2.0}{LD3-LD4}]	

Metal Part

	Quantity	Unit	S.Sku	M.Sku	Description	Reference Designators	Notes
1	2.0000	PC		A62-00000-86271	METAL;POB21;STEEL 1.0mm;BLUE;FRAME;FR307502F		
2	1.0000	PC		A62-00200-08705	METAL;BOTTOM COVER;FSB104;BLACK;DST.NO:002;DPT.NO:08705(R14-FS114-FOOTBOTTOM-REVB.DWG)		
3	2.0000	PC		A65-00100-03194	METAL;YOKE;P0071;TY115S2A;DIA 115X6H-36.8X22.2H;DST.NO:001;DPT.NO:03194;(LS-TY115S02A-REVA.DWG)		
4	1.3600	G		A65-00100-03219	METAL;FOIL;KAPTON;WIDTH:28 mm;THICKNESS:0.125 mm		
5	2.0000	PC		A65-00100-10104	METAL;TOP PLATE;TP115S02E[R];F115*F39.2*6H F60-4*F5;PLATING WEIGHT:408G;DST.NO:001;DPT.NO:10104;(LS-TP115S02E-REVA.DWG)		
6	2.0000	PC		A65-00100-10105	METAL;TOP PLATE;ROUGHCAST;TPR115S01B[R];F115*F39.2*6H F60-4*F5;DST.NO:001;DPT.NO:10105;(LS-TPR115S01B-REVA.DWG)		
7	1.0000	PC		A65-00100-11195	METAL;REAR GRILL;I00405P;DST.NO:001;DPT.NO:11195;(I00405P-REAR_GRILL-REVA.DWG)		HEAT VENTILATION
8	2.0000	PC		A65-00100-12313	METAL;TOP PLATE DISCUS;TPD115S01B;DIA:115x6H;DST.NO:001;DPT.NO:12313;(LS-TPD115S01B[R]-REVA.DWG)		
9	8.0000	PC		A65-02600-21438	METAL;CORNER;BX300/BX600/KX1200;NICKEL PLATING;DWG.NO:21438;(R20-GX112-CORNER-REVC.DWG)		METAL CORNER
10	4.0000	PC		A65-15000-04134	METAL;SPACER;LENGTH:4mm4;HOLE DIA:3mm5;DWG.NO:04134;(R14-FS112-SPACER-REVA.DWG)		
11	1.0000	PC		J02-00300-13193	METAL;CABINET;P0669;PRINTED;FST.NO:003;DPT.NO:13193;(P0621-CABINET-REVF.DWG)		
12	1.0000	PC		J02-00400-10711	METAL;TOP COVER;FSB104A;SURFACE COLOR:BLACK;PRINTED;FST.NO:004;DPT.NO:10711;(R20-FS114-FOOTPEDALCOVER-REVE.DWG)		
13	1.0000	PC		J05-00200-11523	METAL;ALUSTRIP;P0669;PRINTED;FST.NO:002;DPT.NO:11523;(P0621-ALUSTRIP-REVC.DWG)		FRONT PANEL
14	8.0000	PC		A65-02600-21438	METAL;CORNER;BX300/BX600/KX1200;NICKEL PLATING;DWG.NO:21438;(R20-GX112-CORNER-REVC.DWG)		(EU, UL, JP, UK, SAA, BR, AR, HM)
15	1.0000	PC		A65-00100-11195	METAL;REAR GRILL;I00405P;DST.NO:001;DPT.NO:11195;(I00405P-REAR_GRILL-REVA.DWG)		(EU, UL, JP, UK, SAA, BR, AR, HM)
16	1.0000	PC		J05-00200-11523	METAL;ALUSTRIP;P0669;PRINTED;FST.NO:002;DPT.NO:11523;(P0621-ALUSTRIP-REVC.DWG)		(EU, UL, JP, UK, SAA, BR, AR, HM)

Plastic Part

	Quantity	Unit	S.Sku	M.Sku	Description	Reference Designators	Notes
1	4.0000	PC	W51-00100-14745	G51-00100-14745	PLASTIC;RUBFOOT;P0738;DST.NO:001;DPT.NO:14745;(P0738-RUBFOOT-REVA.DWG)		
2	4.0000	PC		G52-00000-00573	PLASTIC;P0668;ABS PA757;KNOB;INJECTION MOULDING;HIGH GLOSS;INK MARKING;BLACK;I00530P;PLASTIC;ROTARY_KNOB		
3	10.0000	PC		G52-00300-11996	PLASTIC;POTKNOB;I00263P;BLACK;DST.NO:003;DPT.NO:11996;(I00263P-POTKNOB-REVC.DWG)		
4	4.0000	PC	W52-00400-05276	G52-00400-05276	KNOB;SWITCH 1;MINI-SERIES;DST.NO:004;DPT.NO:05276;(I00040P-SWITCH_BUTTON1-REVD.DWG)		SWITCH BUTTON
5	4.0000	PC	W52-80500-09382	G52-80500-09382	KNOB;SWITCH;FOOTPEDALS;BLACK;DWG.NO:09382;(R14-GUITAR-SWITCHKNOB1-REVA.DWG)		
6	2.0000	PC	W53-25700-01804	G53-25700-01804	JEWEL;BLUE PANTONE 072C;P0406		POWER INDICATOR
7	1.0000	PC	W53-26000-22762	G53-26000-22762	FUSE HOLDER;TYPE:FH-B13HA;250V/10A;SPEC:22762	[PSU6:00: {1.0}(F1)]	
8	1.0000	PC	W53-40900-05211	G53-40900-05211	LEATHER;HANDLE;P0738;BLACK LEATHER+SILVER METAL		
9	4.0000	PC		G58-00100-08827	PLASTIC;SWITCH GUIDE;I00287P;DST.NO:001;DPT.NO:08827;(I00287P-SWITCH_GUIDE-REVA.dwf)		
10	1.0000	PC		G58-00100-10528	PLASTIC;PIPING;P0668;DST.NO:001;DPT.NO:10528;(P0668-PIPING-REVA.DWG)		PIPING
11	1.0000	PC		G58-00100-11015	PLASTIC;BUSHING;I00398P;DST.NO:001;DPT.NO:11015;(I00398P-BUSHING-REVA.DWG)		DIN JACK BUSHING
12	2.0000	PC		G58-00100-12649	PLASTIC;SPACER LED;I00454P;DST.NO:001;DPT.NO:12649;(I00454P-SPACER_LED-REVA.DWG)		
13	3.0000	PC		G58-00200-11129	PLASTIC;LED SPACER;MOULDING;BLACK;NO:8LENGTH:9MM;DST.NO:002;DPT.NO:11129;(LED-SPACER9MM.REVB.DWG)		
14	1.0000	PC		G58-00200-11578	PLASTIC;BUGERA LOGO;I00315P;LIGHT YELLOW CHROME;DST.NO:002;DPT.NO:11578;(I00315P-BUGERA_LOGO-REVB.DWG)		LOGO
15	1.0000	PC		G58-00200-11704	PLASTIC;SPACER LED REC;I00355P;DST.NO:002;DPT.NO:11704;(I00355P-SPACER_LED_REC-REVB.DWG)		
16	2.0000	PC		G58-00300-11196	PLASTIC;RUBBER SUPPORT;I00274P;DST.NO:003;DPT.NO:11196;(I00274P-RUBBER_SUPPORT-REVC.DWG)		REAR GRILL SUPPORT
17	3.0000	PC		G58-00500-11675	LED CAP;2CAVITIES;3mm LED;BLACK;DST.NO:005;DPT.NO:11675;(R20-PRO-2HOLELEDHOLDER-REVE.DWG)		
18	4.0000	PC		G58-53000-25624	PLASTIC;BASE;P0089;ABS;Y51285A;BLACK;FS112 FS114 FCB1010;COLOR:BLK;DWG.NO:25624;(R14-GUITAR-SWITCHBASE1-REVB.DWG)		
19	2.0000	PC		G59-00100-14812	CERAMIC;P0406;DST.NO:001;DPT.NO:11647(P0406-CERAMIC1-REVA.DWG)		
20	1.0000	PC		G58-00200-11578	PLASTIC;BUGERA LOGO;I00315P;LIGHT YELLOW CHROME;DST.NO:002;DPT.NO:11578;(I00315P-BUGERA_LOGO-REVB.DWG)		(EU, UL, JP, UK, SAA, BR, AR, HM)
21	4.0000	PC	W52-00400-05276	G52-00400-05276	KNOB;SWITCH 1;MINI-SERIES;DST.NO:004;DPT.NO:05276;(I00040P-SWITCH_BUTTON1-REVD.DWG)		(EU, UL, JP, UK, SAA, BR, AR, HM)
22	2.0000	PC	W53-25700-01804	G53-25700-01804	JEWEL;BLUE PANTONE 072C;P0406		(EU, UL, JP, UK, SAA, BR, AR, HM)
23	2.0000	PC		G58-00300-11196	PLASTIC;RUBBER SUPPORT;I00274P;DST.NO:003;DPT.NO:11196;(I00274P-RUBBER_SUPPORT-REVC.DWG)		(EU, UL, JP, UK, SAA, BR, AR, HM)
24	1.0000	PC		G58-00100-10528	PLASTIC;PIPING;P0668;DST.NO:001;DPT.NO:10528;(P0668-PIPING-REVA.DWG)		(EU, UL, JP, UK, SAA, BR, AR, HM)
25	1.0000	PC		G58-00100-11015	PLASTIC;BUSHING;I00398P;DST.NO:001;DPT.NO:11015;(I00398P-BUSHING-REVA.DWG)		(EU, UL, JP, UK, SAA, BR, AR, HM)

Plug Socket

	Quantity	Unit	S.Sku	M.Sku	Description	Reference Designators	Notes
1	1.0000	PC	W61-65220-03293	G61-65220-03293	BOX HEADER;POLES:20;2 ROW;STRAIGHT;PITCH:2mm54;SCM-20S	[BDM1:00: {1.0}{X3}]	
2	1.0000	PC		G61-75220-13428	CABLE HEADER;POLES:20;2 ROW;IDE;STRAIGHT;PITCH:2mm54;FC-20P		
3	1.0000	PC		G61-85220-08163	TRANSITION PLUG;FLAT CABLE;POLES:20;ROWS:2;STRAIGHT;PITCH:2mm54;BLACK;FD-20P		
4	1.0000	PC	W64-01211-03174	G64-01211-03174	PLUG;JACK STEREO 6mm3;STRAIGHT SOLDER;W/O MET.RNG.;MET.BUSH.;NO NUT/WASHER;(JY-6351G-02-250)	[P0621:04: {1.0}{X8}]	
5	2.0000	PC	W64-16112-00062	G64-16112-00062	PLUG;JACK MONO 6mm3;STRAIGHT SOLDER;DUAL TIP/NO RING CONTACTS;MET.BUSH.;NO NUT/WASHER;(CHUNSHENG PJ-636HA)	[P0621:05: {2.0}{X12-X13}]	
6	3.0000	PC	W64-16212-00005	G64-16212-00005	PLUG;PCB;PLUG;JACK STEREO 6mm3;STRAIGHTPCB LUGS;NO NUT/WASHER;METAL BUSHING;(CHUNSHENG PJ-632HA)	[P0621:01: {1.0}{X7}]	
7	1.0000	PC		G67-30103-01969	SOCKET;AC;PCB MOUNT;COLOR:BLACK;POLES:03;(SS-7B-1-T7NUT2)	[PSU6:00: {1.0}{X1}]	
8	1.0000	PC		G68-14002-00033	SOCKET;RCA;FEMALE;POLES:2;STRAIGHT;SEPARATE GROUNDS;HEIGHT:16mm;CONTACTS:NICKEL;TIP RINGS LEFT:WHITE;RIGHT:RED;(DAE-RYUNG JK201530N)	[P0621:03: {1.0}{X6}]	
9	1.0000	PC		G71-00000-03961	WAFER;V1000-14B,0.35um;LOGIC-3.3V(1P4M)		
10	8.0000	PC		G71-23102-04756	WAFER;POLES:2;STRAIGHT;PITCH:2 mm;1 ROW;TYPE:A2006WV-2P	[P0621:01: {8.0}{X38-X44,X51}]	
11	1.0000	PC	W71-23103-04757	G71-23103-04757	WAFER;POLES:3;STRAIGHT;PITCH:2 mm;1 ROW;TYPE:A2006WV-3P	[P0621:02: {1.0}{X26}]	
12	1.0000	PC	W71-23104-04758	G71-23104-04758	WAFER;POLES:4;STRAIGHT;PITCH:2 mm;1 ROW;TYPE:A2006WV-4P	[P0621:02: {1.0}{X28}]	
13	1.0000	PC	W71-23105-04745	G71-23105-04745	WAFER;POLES:5;STRAIGHT;PITCH:2 mm;1 ROW;TYPE:A2006WV-5P	[BDM1:00: {1.0}{X1}]	
14	1.0000	PC	W71-23106-04965	G71-23106-04965	WAFER;POLES:6;STRAIGHT;PITCH:2 mm;1 ROW;TYPE:A2006WV-6P	[P0621:01: {1.0}{X52}]	
15	2.0000	PC	W71-27102-04450	G71-27102-04450	WAFER;POLES:2;STRAIGHT;PITCH:3.96 mm;1 ROW;JS1120-03-S1;NO MIDDLE PIN	[PSU6:00: {1.0}{X3}]	
16	1.0000	PC	W71-27102-04759	G71-27102-04759	WAFER;POLES:2;STRAIGHT;PITCH:3.96 mm;1 ROW;JS1120-02	[P0621:02: {1.0}{X19}]	
17	1.0000	PC		G71-27103-04449	WAFER;POLES:3;STRAIGHT;PITCH:3.96 mm;1 ROW;JS1120-03	[P0621:02: {1.0}{X27}]	
18	8.0000	PC		G71-43102-05994	PLUG;HOUSING;POLES:2;ROWS:1;STRAIGHT;PITCH:2mm;TYP:A2008		
19	1.0000	PC	W71-43103-05995	G71-43103-05995	PLUG;HOUSING;POLES:3;ROWS:1;STRAIGHT;PITCH:2mm;TYP:A2008		
20	1.0000	PC	W71-43104-05996	G71-43104-05996	PLUG;HOUSING;POLES:4;ROWS:1;STRAIGHT;PITCH:2mm;TYP:A2008		
21	1.0000	PC	W71-43105-05997	G71-43105-05997	PLUG;HOUSING;POLES:5;ROWS:1;STRAIGHT;PITCH:2mm;TYP:A2008		
22	1.0000	PC	W71-43106-05998	G71-43106-05998	PLUG;HOUSING;POLES:6;ROWS:1;STRAIGHT;PITCH:2mm;TYP:A2008		
23	1.0000	PC	W71-47102-05844	G71-47102-05844	PLUG;HOUSING;A3963H02;PITCH:3mm96;POLES:2;ROWS:1;UL94-V0;STRAIGHT		
24	2.0000	PC		G71-47110-01424	PLUG;HOUSING;PLUG;POLES:10;ROWS:1;STRAIGHT;PITCH:3mm96;TYP:JS4008		
25	34.0000	PC	W71-80000-05663	G71-80000-05663	BD.-IN-CONN;TERMINAL;SAN-002T-0.8A		
26	8.0000	PC		G71-83102-05642	BOARD-IN-CONNECTOR;POLES:3;ROWS:1;STRAIGHT;PITCH:2 mm		
27	1.0000	PC	W71-83103-05643	G71-83103-05643	BOARD-IN-CONNECTOR;POLES:3;ROWS:1;STRAIGHT;PITCH:2 mm		
28	1.0000	PC	W71-83104-05644	G71-83104-05644	BOARD-IN-CONNECTOR;POLES:4;ROWS:1;STRAIGHT;PITCH:2 mm		
29	1.0000	PC	W71-83105-05647	G71-83105-05647	BOARD-IN-CONNECTOR;POLES:5;ROWS:1;STRAIGHT;PITCH:2 mm		
30	1.0000	PC	W71-83106-05650	G71-83106-05650	BOARD-IN-CONNECTOR;POLES:6;ROWS:1;STRAIGHT;PITCH:2 mm		
31	4.0000	PC	W73-18509-01217	G73-18509-01217	SOCKET;BOARD-IN;POLES:09;VACUUM TUBE;FOR 6L6GC;CERAMIC;COLOR:WHT;VERSION3;GZC8-Y-5	[P0621:03: {4.0}{V1-V4}]	
32	6.0000	PC	W73-28509-01218	G73-28509-01218	SOCKET;POLES:09;VACUUM TUBE;FOR 12AX7;CERAMIC;COLOR:WHT;W/ SOLDER LUGS;VERSION1;TUS9PC9C	[P0621:02: {6.0}{V5-V10}]	
33	1.0000	PC	W76-20540-04361	G76-20540-04361	PLUG;DIN;(CHUNSHENG DIN-537HA-EP);PLUG;FEMALE;POLES:05;STRAIGHT;MINI;01	[P0621:04: {1.0}{X11}]	

Power Supply

	Quantity	Unit	S.Sku	M.Sku	Description	Reference Designators	Notes
1	1.0000	PC	Z60-80000-01996	J60-80000-01996	TRAFO;AUDIO I/O;EI0165(R1L);NANHAI NRE		
2	1.0000	PC	Z65-94064-01997	J65-94064-01997	TRAFO;EI;P0406;EI01066(R1L);EU 240V;NANHAI NRE		(EU, UK, SAA, AR)
3	1.0000	PC	Z65-94067-02068	J65-94067-02068	TRAFO;EI;P0406;EI0177(R1L);JP 100V;NANHAI NRE		(JP, HM, SH)
4	1.0000	PC	Z65-94063-02070	J65-94063-02070	TRAFO;EI;P0406;EI0176(R1L);UL 115V;NANHAI NRE		(UL, BR)

Quarz

	Quantity	Unit	S.Sku	M.Sku	Description	Reference Designators	Notes
1	1.0000	PC	X65-10471-00000	H65-10471-00000	QUARZ;RESONATOR;10MHz;HC49U FUNDAMENTAL	[BDM1:00: {1.0}{Q1}]	

Resistor

	Quantity	Unit	S.Sku	M.Sku	Description	Reference Designators	Notes
1	3.0000	PC			RESISTOR;CARBON;22ohm;5%;0W063;SMD603	[BDM1:00: {3.0}(R4-R6)]	*NOT available in DP
2	1.0000	PC			RESISTOR;CARBON;100ohm;5%;0W063;SMD603	[BDM1:00: {1.0}(R2)]	*NOT available in DP
3	1.0000	PC			RESISTOR;CARBON;360ohm;5%;0W063;SMD603	[BDM1:00: {1.0}(R17)]	*NOT available in DP
4	1.0000	PC			RESISTOR;CARBON;470ohm;5%;0W063;SMD603	[BDM1:00: {1.0}(R10)]	*NOT available in DP
5	1.0000	PC			RESISTOR;CARBON;1Kohm2;5%;0W063;SMD603	[BDM1:00: {1.0}(R15)]	*NOT available in DP
6	2.0000	PC			RESISTOR;CARBON;2Kohm2;5%;0W063;SMD603	[BDM1:00: {2.0}(R11,R14)]	*NOT available in DP
7	2.0000	PC			RESISTOR;CARBON;4Kohm7;5%;0W063;SMD603	[BDM1:00: {2.0}(R12-R13)]	*NOT available in DP
8	5.0000	PC			RESISTOR;CARBON;10Kohm;5%;0W063;SMD603	[BDM1:00: {5.0}(R18-R22)]	*NOT available in DP
9	1.0000	PC			RESISTOR;CARBON;16Kohm;5%;0W063;SMD603	[BDM1:00: {1.0}(R16)]	*NOT available in DP
10	1.0000	PC			RESISTOR;CARBON;1Mohm;5%;0W063;SMD603	[BDM1:00: {1.0}(R9)]	*NOT available in DP
11	1.0000	PC			RESISTOR;CARBON;2ohm2;5%;0W1;SMD805	[BDM1:00: {1.0}(R8)]	*NOT available in DP
12	1.0000	PC			RESISTOR;CARBON;5ohm1;5%;0W1;SMD805	[BDM1:00: {1.0}(R7)]	*NOT available in DP
13	1.0000	PC			RESISTOR;CARBON;10Kohm;5%;0W1;SMD805	[BDM1:00: {1.0}(R3)]	*NOT available in DP
14	3.0000	PC			RESISTOR;CARBON;220ohm;5%;0W25;LEAD WIRE;HORIZONTAL 26-6mm	[P0A5P:00: {3.0}(R3-R4,R7)]	*NOT available in DP
15	1.0000	PC			RESISTOR;CARBON;470ohm;5%;0W25;LEAD WIRE;HORIZONTAL 26-6mm	[P0621:02: {1.0}(R81)]	*NOT available in DP
16	3.0000	PC			RESISTOR;CARBON;1Kohm;5%;0W25;LEAD WIRE;HORIZONTAL 26-6mm	[P0621:02: {2.0}(R101,R123)]	*NOT available in DP
17	4.0000	PC			RESISTOR;CARBON;2Kohm2;5%;0W25;LEAD WIRE;HORIZONTAL 26-6mm	[P0621:03: {4.0}(R1,R3,R5,R7)]	*NOT available in DP
18	1.0000	PC			RESISTOR;CARBON;3Kohm3;5%;0W25;LEAD WIRE;HORIZONTAL 26-6mm	[P0A5P:00: {1.0}(R5)]	*NOT available in DP
19	3.0000	PC			RESISTOR;CARBON;4Kohm7;5%;0W25;LEAD WIRE;HORIZONTAL 26-6mm	[P0621:02: {3.0}(R97,R115,R118)]	*NOT available in DP
20	1.0000	PC			RESISTOR;CARBON;6Kohm8;5%;0W25;LEAD WIRE;HORIZONTAL 26-6mm	[P0A5P:00: {1.0}(R6)]	*NOT available in DP
21	1.0000	PC			RESISTOR;CARBON;47Kohm;5%;0W25;LEAD WIRE;HORIZONTAL 26-6mm	[P0621:02: {1.0}(R86)]	*NOT available in DP
22	6.0000	PC			RESISTOR;CARBON;100Kohm;5%;0W25;LEAD WIRE;HORIZONTAL 26-6mm	[P0621:02: {5.0}(R83,R85,R91,R96,R120)]	*NOT available in DP
23	5.0000	PC			RESISTOR;CARBON;220Kohm;5%;0W25;LEAD WIRE;HORIZONTAL 26-6mm	[P0621:02: {3.0}(R84,R92,R106)]	*NOT available in DP
24	1.0000	PC			RESISTOR;CARBON;330Kohm;5%;0W25;LEAD WIRE;HORIZONTAL 26-6mm	[P0621:02: {1.0}(R90)]	*NOT available in DP
25	5.0000	PC			RESISTOR;CARBON;470Kohm;5%;0W25;LEAD WIRE;HORIZONTAL 26-6mm	[P0621:02: {5.0}(R87,R93,R107,R110,R121)]	*NOT available in DP
26	12.0000	PC			RESISTOR;CARBON;1Mohm;5%;0W25;LEAD WIRE;HORIZONTAL 26-6mm	[P0621:02: {12.0}(R71,R80,R82,R88-R89,R95,R99-R100,R103,R108,R116,R125)]	*NOT available in DP
27	3.0000	PC			RESISTOR;METAL;1Kohm80;1%;0W25;LEAD WIRE;HORIZONTAL 26-6mm	[P0621:02: {3.0}(R78-R79,R105)]	*NOT available in DP
28	4.0000	PC			RESISTOR;METAL;2Kohm2;1%;0W25;LEAD WIRE;HORIZONTAL 26-6mm	[P0621:02: {4.0}(R102,R104,R113-R114)]	*NOT available in DP
29	1.0000	PC			RESISTOR;METAL;3Kohm3;1%;0W25;LEAD WIRE;HORIZONTAL 26-6mm	[P0621:02: {1.0}(R98)]	*NOT available in DP
30	2.0000	PC			RESISTOR;METAL;5Kohm6;1%;0W25;LEAD WIRE;HORIZONTAL 26-6mm	[P0621:02: {1.0}(R124)]	*NOT available in DP
31	1.0000	PC			RESISTOR;METAL;10Kohm;1%;0W25;LEAD WIRE;HORIZONTAL 26-6mm	[P0621:03: {1.0}(R11)]	*NOT available in DP
32	1.0000	PC			RESISTOR;METAL;39Kohm;1%;0W25;LEAD WIRE;HORIZONTAL 26-6mm	[P0621:02: {1.0}(R109)]	*NOT available in DP

	Quantity	Unit	S.Sku	M.Sku	Description	Reference Designators	Notes
33	2.0000	PC			RESISTOR;METAL;68Kohm;1%;0W25;LEAD WIRE;HORIZONTAL 26-6mm	[P0621:02: {2.0}(R64,R111)]	*NOT available in DP
34	1.0000	PC			RESISTOR;METAL;82Kohm;1%;0W25;LEAD WIRE;HORIZONTAL 26-6mm	[P0621:02: {1.0}(R69)]	*NOT available in DP
35	4.0000	PC			RESISTOR;METAL;100Kohm;1%;0W25;LEAD WIRE;HORIZONTAL 26-6mm	[P0621:02: {4.0}(R68,R70,R73,R94)]	*NOT available in DP
36	1.0000	PC			RESISTOR;METAL;210Kohm;1%;0W25;LEAD WIRE;HORIZONTAL 26-6mm	[P0621:02: {1.0}(R74)]	*NOT available in DP
37	4.0000	PC			RESISTOR;METAL;220Kohm;1%;0W25;LEAD WIRE;HORIZONTAL 26-6mm	[P0621:02: {4.0}(R65-R67,R72)]	*NOT available in DP
38	1.0000	PC			RESISTOR;METAL;1Mohm;1%;0W25;LEAD WIRE;HORIZONTAL 26-6mm	[P0621:02: {1.0}(R112)]	*NOT available in DP
39	4.0000	PC			RESISTOR;CARBON;100ohm;5%;0W25;LEAD WIRE	[P0621:01: {4.0}(R41-R43,R46)]	*NOT available in DP
40	2.0000	PC			RESISTOR;CARBON;1Kohm;5%;0W25;LEAD WIRE	[P0621:01: {2.0}(R47-R48)]	*NOT available in DP
41	1.0000	PC			RESISTOR;CARBON;2Kohm2;5%;0W25;LEAD WIRE	[P0621:01: {1.0}(R22)]	*NOT available in DP
42	1.0000	PC			RESISTOR;CARBON;6Kohm8;5%;0W25;LEAD WIRE	[P0621:01: {1.0}(R16)]	*NOT available in DP
43	2.0000	PC			RESISTOR;CARBON;10Kohm;5%;0W25;LEAD WIRE	[P0621:01: {2.0}(R20,R45)]	*NOT available in DP
44	1.0000	PC			RESISTOR;CARBON;18Kohm;5%;0W25;LEAD WIRE	[P0621:01: {1.0}(R38)]	*NOT available in DP
45	2.0000	PC			RESISTOR;CARBON;22Kohm;5%;0W25;LEAD WIRE	[P0621:01: {2.0}(R18,R21)]	*NOT available in DP
46	3.0000	PC			RESISTOR;CARBON;33Kohm;5%;0W25;LEAD WIRE	[P0621:01: {3.0}(R30,R36,R44)]	*NOT available in DP
47	2.0000	PC			RESISTOR;CARBON;39Kohm;5%;0W25;LEAD WIRE	[P0621:01: {2.0}(R26-R27)]	*NOT available in DP
48	2.0000	PC			RESISTOR;CARBON;47Kohm;5%;0W25;LEAD WIRE	[P0621:01: {2.0}(R31-R32)]	*NOT available in DP
49	1.0000	PC			RESISTOR;CARBON;68Kohm;5%;0W25;LEAD WIRE	[P0621:01: {1.0}(R15)]	*NOT available in DP
50	1.0000	PC			RESISTOR;CARBON;82Kohm;5%;0W25;LEAD WIRE	[P0621:01: {1.0}(R37)]	*NOT available in DP
51	1.0000	PC			RESISTOR;CARBON;100Kohm;5%;0W25;LEAD WIRE	[P0621:01: {1.0}(R50)]	*NOT available in DP
52	1.0000	PC			RESISTOR;CARBON;220Kohm;5%;0W25;LEAD WIRE	[P0621:01: {1.0}(R53)]	*NOT available in DP
53	4.0000	PC			RESISTOR;CARBON;470Kohm;5%;0W25;LEAD WIRE	[P0621:01: {4.0}(R19,R24-R25,R39)]	*NOT available in DP
54	10.0000	PC			RESISTOR;CARBON;1Mohm;5%;0W25;LEAD WIRE	[P0621:01: {7.0}(R17,R28-R29,R33-R35,R49)]	*NOT available in DP
55	1.0000	PC			RESISTOR;CARBON;2Mohm2;5%;0W25;LEAD WIRE	[P0621:01: {1.0}(R23)]	*NOT available in DP
56	2.0000	PC			RESISTOR;METAL;10Kohm;1%;0W25;LEAD WIRE	[P0621:01: {2.0}(R40,R52)]	*NOT available in DP
57	1.0000	PC			RESISTOR;METAL;68Kohm;1%;0W25;LEAD WIRE	[P0621:01: {1.0}(R51)]	*NOT available in DP
58	2.0000	PC			RESISTOR;CARBON;4ohm7;5%;1W;LEAD WIRE	[P0621:02: {2.0}(R117,R119)]	*NOT available in DP
59	1.0000	PC			RESISTOR;CARBON;27ohm;5%;1W;LEAD WIRE	[P0621:02: {1.0}(R122)]	*NOT available in DP
60	1.0000	PC			RESISTOR;CARBON;33ohm;5%;1W;LEAD WIRE	[BDM1:00: {1.0}(R1)]	*NOT available in DP
61	2.0000	PC			RESISTOR;CARBON;100ohm;5%;1W;LEAD WIRE	[P0621:03: {2.0}(R13-R14)]	*NOT available in DP
62	2.0000	PC			RESISTOR;CARBON;1Kohm5;5%;1W;LEAD WIRE	[LED:00: {2.0}(R1-R2)]	*NOT available in DP
63	2.0000	PC			RESISTOR;CARBON;10Kohm;5%;1W;LEAD WIRE	[P0621:02: {2.0}(R59,R61)]	*NOT available in DP
64	1.0000	PC			RESISTOR;CARBON;100Kohm;5%;1W;LEAD WIRE	[P0621:02: {1.0}(R75)]	*NOT available in DP
65	4.0000	PC			RESISTOR;CARBON;220Kohm;5%;1W;LEAD WIRE	[P0621:02: {4.0}(R57-R58,R76-R77)]	*NOT available in DP
66	1.0000	PC			RESISTOR;CEMENT;11Kohm;5%;2W;LEAD WIRE;RADIAL;PITCH:5mm;PRECUT:3mm1+/-0mm5	[P0621:02: {1.0}(R60)]	*NOT available in DP
67	4.0000	PC			RESISTOR;CEMENT;68ohm;5%;5W;LEAD WIRE;AXIAL	[P0621:03: {4.0}(R2,R4,R6,R8)]	*NOT available in DP
68	1.0000	PC			RESISTOR;CEMENT;3Kohm9;5%;5W;LEAD WIRE;RADIAL;PITCH:5mm;PRECUT:3mm1+/-0mm5	[P0621:02: {1.0}(R63)]	*NOT available in DP
69	1.0000	PC			RESISTOR;CEMENT;390ohm;5%;10W;LEAD WIRE;AXIAL	[P0621:02: {1.0}(R62)]	*NOT available in DP
70	1.0000	PC	Y04-12000-03091	I04-12000-03091	THERMISTOR;NTC;20ohm;+/- 20%;4A;DIA;PITCH:7mm5;(THINKING SCK-2020MSY)	[PSU6:00: {1.0}(R5)]	(EU, UK, SAA, AR)
71	1.0000	PC	Y04-11000-00189	I04-11000-00189	THERMISTOR;NTC;10ohm;15%;6A;DIA;PITCH:10mm;(BQ 10D2-18 LD)	[PSU6:00: {1.0}(R5)]	(UL, JP, BR, HM, SH)

Potentiometer

	Quantity	Unit	S.Sku	M.Sku	Description	Reference Designators	Notes
1	4.0000	PC	Y03-00000-01270	I03-00000-01270	POTENTIOMETER;1 Mohm;D:20 %;MONO;BULK;70-110gf;SHAFT:39.6MM	[P0621:01: {4.0}{VR9-VR10,VR14-VR15}]	
2	2.0000	PC	Y03-87141-04015	I03-87141-04015	POTENTIOMETER;ESD;10Kohm;TAPER:A;MONO;SHAFT:30MM;W/O CC;TORQUE:40-100gf;IMPROVED STOPPER STRENGTH;(TOPROOT RK093NVB01-F30B12-A10K(300)-O-HHE)	[P0621:01: {2.0}{VR3,VR5}]	
3	1.0000	PC	Y03-87143-04014	I03-87143-04014	POTENTIOMETER;ESD;25Kohm;TAPER:A;MONO;D-SHAFT:30MM;W/O CC;TORQUE:40-100gf;IMPROVED STOPPER STRENGTH;(TOPROOT RK093NVB01-F30B12-A25K(300)-O-HHE)	[P0621:01: {1.0}{VR13}]	
4	2.0000	PC	Y03-87151-04016	I03-87151-04016	POTENTIOMETER;ESD;100Kohm;TAPER:A;MONO;SHAFT:30MM;W/O CC;TORQUE:40-100gf;IMPROVED STOPPER STRENGTH;(TOPROOT RK093NVB01-F30B12-A100K(300)-O-HHE)	[P0621:01: {2.0}{VR2,VR4}]	
5	2.0000	PC	Y03-87161-04013	I03-87161-04013	POTENTIOMETER;ESD;1Mohm;TAPER:A;MONO;SHAFT:30MM;W/O CC;TORQUE:40-100gf;IMPROVED STOPPER STRENGTH;(TOPROOT RK093NVB01-F30B12-A1M(300)-O-HHE)	[P0621:01: {2.0}{VR6,VR11}]	
6	1.0000	PC	Y03-87241-01411	I03-87241-01411	POTENTIOMETER;10Kohm;TAPER:B;MONO;ROUND-SHAFT:22MM;W/O CC;HIGH TORQUE;(TOPROOT RK093NV02-T22B7-B10K-O-H)	[P0621:03: {1.0}{VR1}]	
7	1.0000	PC	Y03-87245-04011	I03-87245-04011	POTENTIOMETER;ESD;50Kohm;TAPER:B;MONO;SHAFT:30MM;W/O CC;TORQUE:40-100gf;IMPROVED STOPPER STRENGTH;(TOPROOT RK093NVB01-F30B12-B50K(300)-O-HHE)	[P0621:01: {1.0}{VR8}]	
8	2.0000	PC	Y03-87253-04009	I03-87253-04009	POTENTIOMETER;ESD;250Kohm;TAPER:B;MONO;SHAFT:30MM;W/O CC;TORQUE:40-100gf;IMPROVED STOPPER STRENGTH;(TOPROOT RK093NVB01-F30B12-B250K(300)-O-HHE)	[P0621:01: {2.0}{VR7,VR12}]	

Speaker Part

	Quantity	Unit	S.Sku	M.Sku	Description	Reference Designators	Notes
1	2.0000	PC		H77-00000-85759	WOOFER;8 OHM;P0B21;TS-12G280A8;12 inch;70 watts		SPEAKER
2	2.0000	PC		H79-00000-02916	GASKET;BLACK;GA304P8A		
3	2.0000	PC	X79-00100-03195	H79-00100-03195	MAGNET;MG121FE22A;MATERIAL:Y30;DIA 121x57x15H;DST.NO:001;DPT.NO:03195;(LS-MG121FE22A-REVA.DWG)		
4	2.0000	PC		H79-00100-03199	VOICE COIL;VC37_5K5_0A;BOBBIN MATERIAL:KAPTON;DIAMETER:37mm5;28H;DC RESISTANCE:5 ohm;WIRE DIA:0mm21;WINDING HEIGHT:10mm;DST.NO:001;DPT.NO:03199;(LS-VC37_5K5_0A-REVA.DWG)		
5	2.0000	PC		H79-00100-06315	DUST CAP;DC95CL02A;MATERIAL:BLACK CLOTH;OUTER DIAMETER:95mm;HEIGHT:18mm5;DST.NO:001;DPT.NO:06315;(LS-DC95CL02A-REVA.DWG)		
6	2.0000	PC		H79-00100-07501	CONE;CP297P75_5A;MATERIAL:PAPER;OUTER DIAMETER:297mm;HEIGHT:75mm5;CENTRE HOLE:F38mm5;DST.NO:001;DPT.NO:07501;(LS-CP297P75_5A-REVB.DWG)		
7	2.0000	PC		H79-00200-07500	DAMPER;DP125CX01A;MATERIAL:CONEX;OUTSIDE DIAMETER:125mm;HOLE:F38mm;HEIGHT:7mm;;DST.NO:002;DPT.NO:07500;(LS-DP125CX01A-REVB.DWG)		
8	2.0000	PC		H77-00000-85759	WOOFER;8 OHM;P0B21;TS-12G280A8;12 inch;70 watts		(EU, UL, JP, UK, SAA, BR, AR, HM)

Switch

	Quantity	Unit	S.Sku	M.Sku	Description	Reference Designators	Notes
1	1.0000	PC	Y77-03422-02778	I77-03422-02778	SWITCH;RADIAL;2P2T;PCB VERSION;LOCKING;NONSHORT;RAD2P	[P0621:01: {1.0}(SW2)]	
2	3.0000	PC	Y77-03822-02779	I77-03822-02779	SWITCH;RADIAL;2P2T;PCB VERSION;NONLOCK;NONSHORT;RAD2P/NON	[P0621:01: {3.0}(SW3-SW5)]	
3	1.0000	PC	Y86-00422-00034	I86-00422-00034	SWITCH;SLIDE;2P2T;PCB VERSION;LOCKING;NONSHORT;(COMAX SS22F28-G5	[P0621:03: {1.0}(SW1)]	
4	1.0000	PC	Y86-00423-01545	I86-00423-01545	SWITCH;SLIDE;2P3T;PCB VERSION;LOCKING;NONSHORT;PBS-110-K2C21H	[P0621:05: {1.0}(SW6)]	
5	4.0000	PC	Y87-43811-03768	I87-43811-03768	SWITCH;TACTILE;POLES:1;HEIGHT:4mm3;PCB VERSION;NONLOCK;NONSHORT	[FSB104A:00: {4.0}(SW1-SW4)]	
6	2.0000	PC	Y90-02211-03087	I90-02211-03087	SWITCH;TOGGLE;TOGGLES:1;POLE:1;LOCKING; NONSHORT; SOLDER LUG;ARCO C3900BAAAB)		

Transistor

	Quantity	Unit	S.Sku	M.Sku	Description	Reference Designators	Notes
1	1.0000	PC			TRANSISTOR;BC856B;SOT;SMD	[BDM1:00: {1.0}(T1)]	*NOT available in DP
2	4.0000	PC			TRANSISTOR;MPSA06;TO92;P:2.54(BENT LEAD)	[P0621:01: {2.0}(T2-T3)]	*NOT available in DP
3	1.0000	PC			TRANSISTOR;KSP44;TO-92	[P0621:01: {1.0}(T4)]	*NOT available in DP
4	1.0000	PC			TRANSISTOR;J113;TO92	[P0621:01: {1.0}(T1)]	*NOT available in DP

Cover

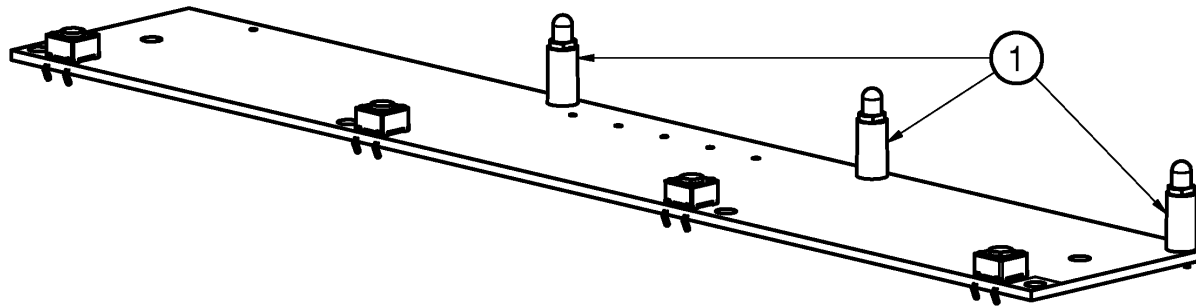
	Quantity	Unit	S.Sku	M.Sku	Description	Reference Designators	Notes
1	1.1000	YD		J11-21054-02112	PVF COVERING;ARTIFICIAL LEATHER;MIN DENSITY:450g/cm2;THICKNESS:1mm;WIDTH:54in;TEXTURE:B137;COLOR:BLACK		

Vacuum Tube

	Quantity	Unit	S.Sku	M.Sku	Description	Reference Designators	Notes
1	4.0000	PC	Z83-65016-67108	J83-65016-67108	TUBE;PENTODE;6L6GC;SHUGUANG		
2	4.0000	PC		J83-65016-68008	TUBE;PENTODE;6L6GC;SHUGUANG;NO ARTWORK		
3	1.0000	PC	Z84-17012-17109	J84-17012-17109	TUBE;DOUBLE TRIODE;12AX7A;SHUGUANG		
4	6.0000	PC	Z84-17012-78009	J84-17012-78009	TUBE;DOUBLE TRIODE;12AX7;SHUGUANG;NO ARTWORK		
5	1.0000	PC	Z84-76012-07109	J84-76012-07109	TUBE;DOUBLE TRIODE;P0962;12AX7B;SHUGUANG;FST.NO:001		
6	4.0000	PC		J84-76012-97109	TUBE;DOUBLE TRIODE;P0963;12AX7C;SHUGUANG;FST.NO:001		




REVISION HISTORY				
REV	DESCRIPTION	DATE	REVISED	APPROVED
A	DRAWING RELEASED	2011-07-15	N.CARDINAL	SHIRLEY.XIAO



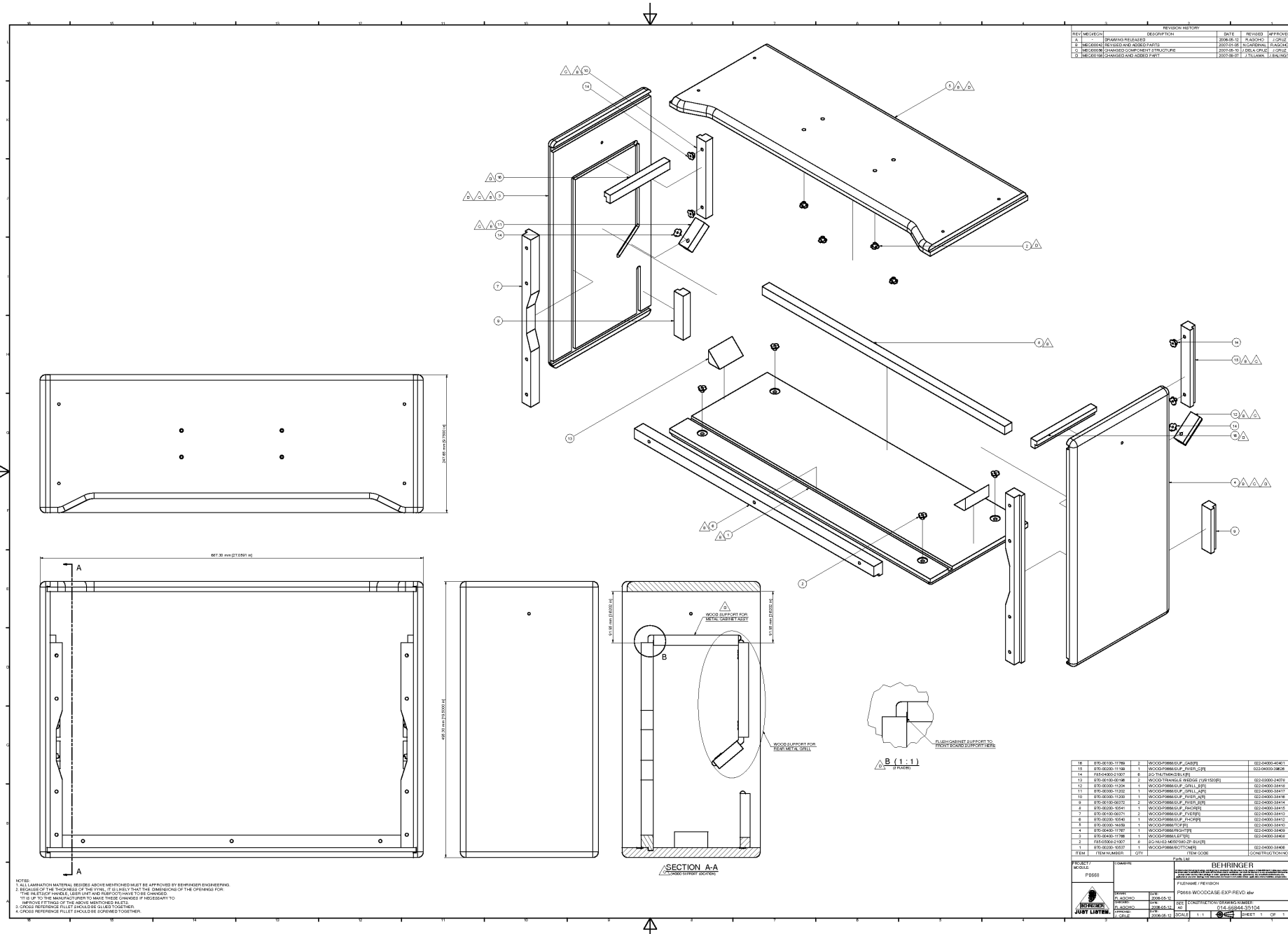
1	G58-00200-11129	3	PLA-LEDSPACER8[R]	022-02000-01957
ITEM	ITEM NUMBER	QTY	ITEM CODE	CONSTRUCTION NO.

MECHANICAL PARTS LIST

All information (including drawings and diagrams) contained in this document is the property of MUSIC GROUP LTD. Addresseees whom the information is confided to shall maintain the information in confidence and shall not release it to any unauthorized third parties (except under attorney client privilege or under appropriate confidentiality agreements). Any unauthorized disclosure, use, application or any other dealings in the information shall result in civil and/or (where applicable) criminal liabilities and penalties.

 MUSIC GROUP	PROJECT: P0A5P	DRAWN: N.CARDINAL	DESCRIPTION: P0A5P-PCB-ASM	
	MATERIAL: N/A	CHECKED: HUA MING.YE	APPROVED: SHIRLEY.XIAO	SIZE: A4
	FINISH: N/A	DATE: 2011-07-15	DRAWING NUMBER: 014-00044-35801	REV: A
	SCALE 1 : 1		SHEET 1 OF 1	





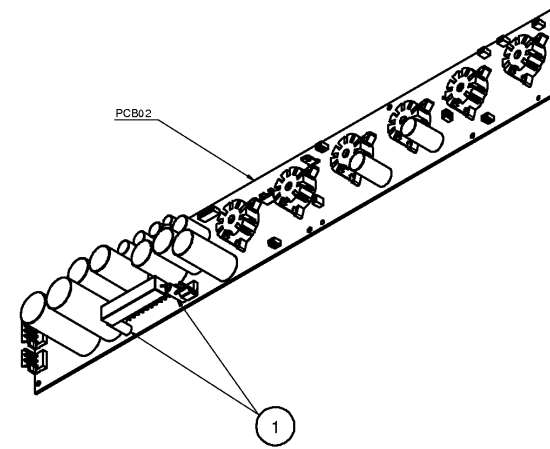
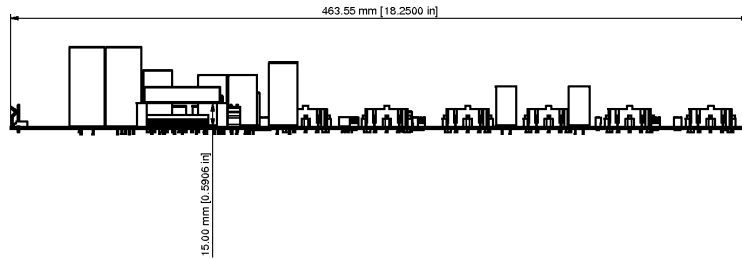
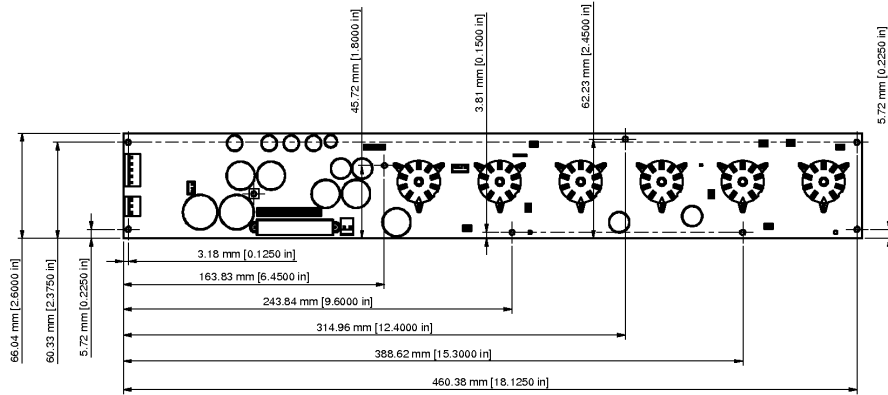
REV	DESCRIPTION	DATE	REVISION	APP. NO.
1	ISSUED FOR PRODUCTION	2022-06-13	1	1
2	REVISION	2022-06-13	2	1
3	REVISION	2022-06-13	3	1
4	REVISION	2022-06-13	4	1


NOTES:
 1. ALL DIMENSIONS AND MATERIALS ABOVE MUST BE APPROVED BY BEHRINGER ENGINEERING.
 2. BECAUSE OF THE THICKNESS OF THE VINYL, IT IS LIKELY THAT THE DIMENSIONS OF THE OPENINGS FOR THE REFERENCE FILLET, USER MUST BE ADJUSTED TO FIT.
 3. IT IS UP TO THE MANUFACTURER TO MAKE THESE CHANGES IF NECESSARY TO IMPROVE FITTING OF THE ABOVE MENTIONED PARTS.
 4. GROSS REFERENCE FILLET SHOULD BE SCREWED TOGETHER.

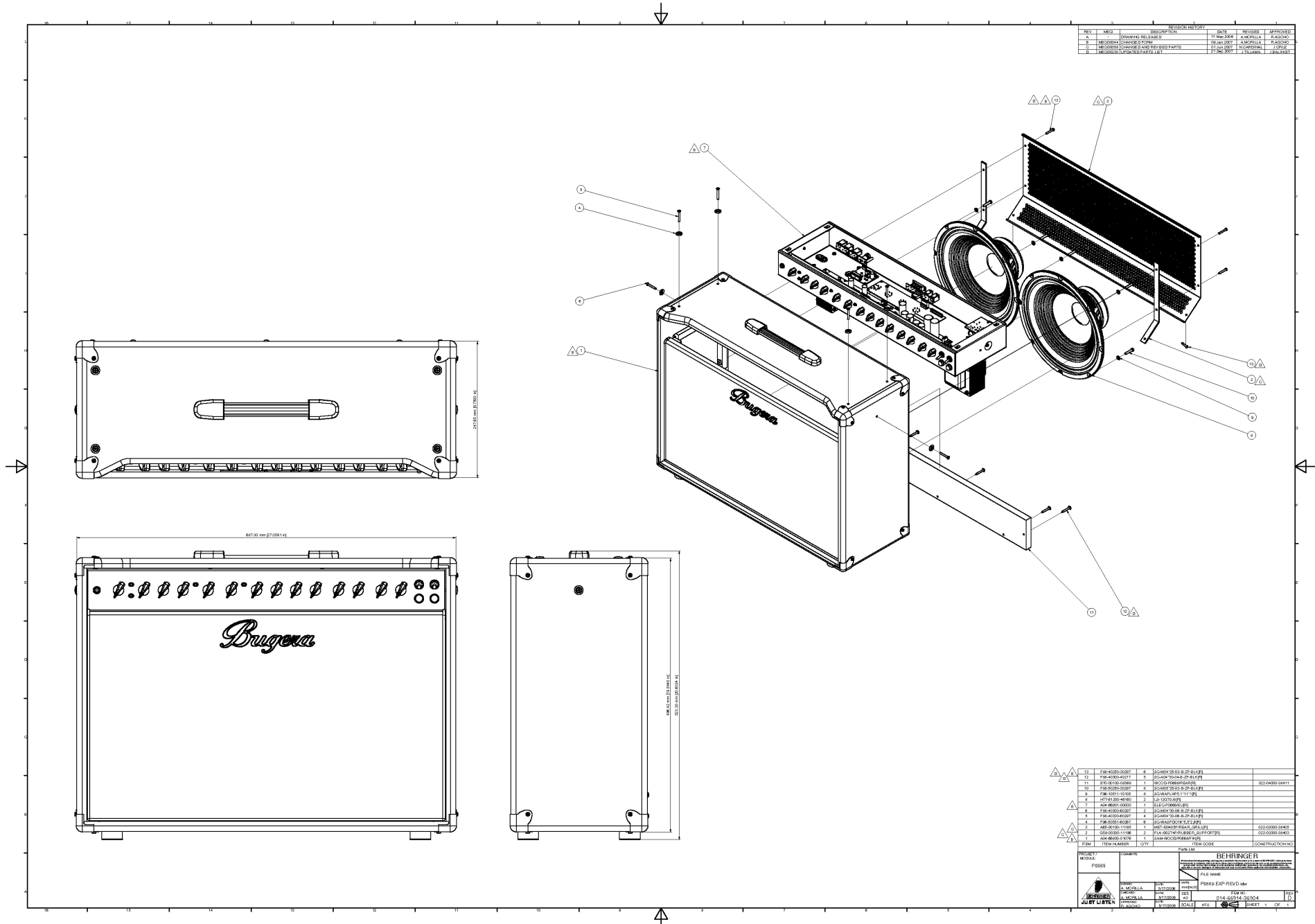
ITEM	QTY	DESCRIPTION	UNIT	REF. NO.
18	2	WOOD PANEL (P)	PCS	02-2000034017
19	2	WOOD PANEL (P)	PCS	02-2000034018
14	2	WOOD PANEL (P)	PCS	02-2000034019
12	2	WOOD PANEL (P)	PCS	02-2000034020
11	2	WOOD PANEL (P)	PCS	02-2000034021
10	2	WOOD PANEL (P)	PCS	02-2000034022
9	2	WOOD PANEL (P)	PCS	02-2000034023
8	2	WOOD PANEL (P)	PCS	02-2000034024
7	2	WOOD PANEL (P)	PCS	02-2000034025
6	2	WOOD PANEL (P)	PCS	02-2000034026
5	2	WOOD PANEL (P)	PCS	02-2000034027
4	2	WOOD PANEL (P)	PCS	02-2000034028
3	2	WOOD PANEL (P)	PCS	02-2000034029
2	2	WOOD PANEL (P)	PCS	02-2000034030
1	2	WOOD PANEL (P)	PCS	02-2000034031

PROJECT NO.	PS58	DATE	2022-06-13
CLIENT	BEHRINGER	DESIGNER	BEHRINGER ENGINEERING
PROJECT NAME	PS58 WOODCASE EXP REV 04	DATE	2022-06-13
SCALE	1:1	SHEET NO.	1 OF 1

REVISION HISTORY					
REV	MECI	DESCRIPTION	DATE	REVISED	APPROVED
A	-	DRAWING RELEASED	12 Sep.2007	J.TILLAMA	J.BALINGIT



1	F95-04510-01748	2	IN-TUB1045X0065XL015/SB1[R]		
ITEM	ITEM NUMBER	QTY	ITEM CODE	CONSTRUCTION NO.	
Parts List					
PROJECT / MODULE: P0621		COMMENTS:		BEHRINGER <small>All information (including drawings and diagrams) contained in this document is the property of BEHRINGER. Acknowledge when the information is to be used in order to avoid the reproduction of information and that the release of any information is subject to the approval of the manufacturer. The manufacturer is not responsible for any errors or omissions. The manufacturer is not responsible for any damage or injury resulting from the use of this information.</small>	
		DRAWN: J.TILLAMA CHECKED: J.CRUZ APPROVED: J.CRUZ	DATE: 9/12/2007 DATE: 9/17/2007 DATE: 9/17/2007	UNITS: mm[inch] SIZE: A2 SCALE: NTS	FILE NAME: P0621-PCB02-ASM-REVA.idw MODULE NUMBER: 014-62104-35601
				REV	A
				SHEET	1 OF 1



REV.	MOD.	DESCRIPTION	DATE	REVISED	APPROVED
A		DRAWING RELEASED	19 MAR 2014	A. MUCILLA	R. RUIZ
B	ME-0004	CHANGE 0 PARTS	29 JUN 2007	A. MUCILLA	R. RUIZ
C	ME-0005	CHANGE 2 NEW PRESSED PARTS	21 JUN 2007	T. GARDNER	J. BAKER
D	ME-0006	UPDATE PARTS LIST	21 JUN 2007	J. VELAZQUEZ	J. BAKER

13	F8E-6050-20307	6	SCARNA-VE-04-B-2P-8L1P1	
12	F8E-6050-40217	4	SCARNA-PO-04-B-2P-8L1P1	
11	F8E-6050-20307	1	SCARNA-PO-04-B-2P-8L1P1	022-0000-38411
10	F8E-6050-20307	2	SCARNA-VE-04-B-2P-8L1P1	
9	F8E-6051-10105	4	SCARNA-VE-111-1P1	
8	MT-24-200-40-800	2	LS-10270-001	
7	04E-6000-10000	1	DISC-000001-001	
6	F8E-6050-40207	2	SCARNA-VE-04-B-2P-8L1P1	
5	F8E-6050-40207	1	SCARNA-VE-04-B-2P-8L1P1	
4	F8E-6051-40207	4	SCARNA-PO-04-B-2P-8L1P1	
3	MT-0000-11105	4	NET-0000-111-001-001	022-0000-38415
2	050-0000-11106	2	PLA-002-000-111-001-001	022-0000-38410
1	04E-6000-10000	1	DISC-000001-001	
ITEM	ITEM NUMBER	QTY	ITEM CODE	CONTROL NUMBER

PROJECT: P0559

MODEL: P0559

DATE: 19 MAR 2014

FILE NAME: P0559 EXP-REV.Dwg

DESIGNER: A. MUCILLA

DATE: 19 MAR 2014

FILE NO: 014-001014-001004

DATE: 19 MAR 2014

SCALE: 1:1

DATE: 19 MAR 2014

SCALE: 1:1

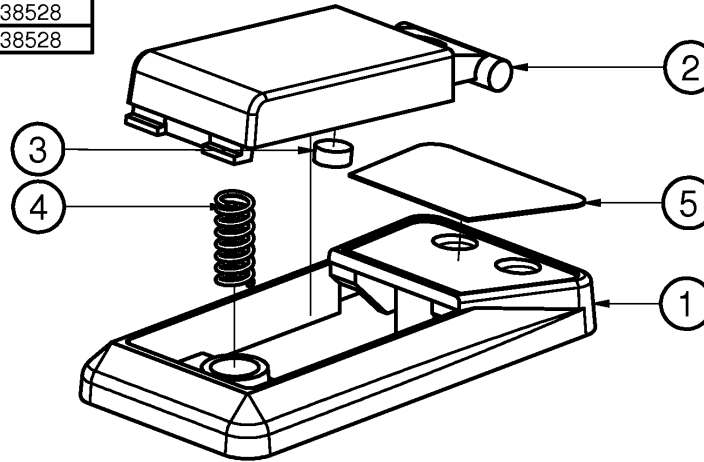
DATE: 19 MAR 2014

SCALE: 1:1



REVISION HISTORY				
REV	DESCRIPTION	DATE	REVISED	APPROVED
A		2011-07-15	N.CARDINAL	SHIRLEY.XIAO



TABLE			
MODULE NUMBER	ITEM NUMBER	QTY	CONSTRUCTION NO.
A04-A5P00-01000	I20-00000-08621	1	
A04-A5P00-11000	I20-00000-08615	1	022-02000-38528
A04-A5P00-10000	I20-00000-08618	1	022-02000-38528
A04-A5P00-02000	I20-00000-08619	1	022-02000-38528



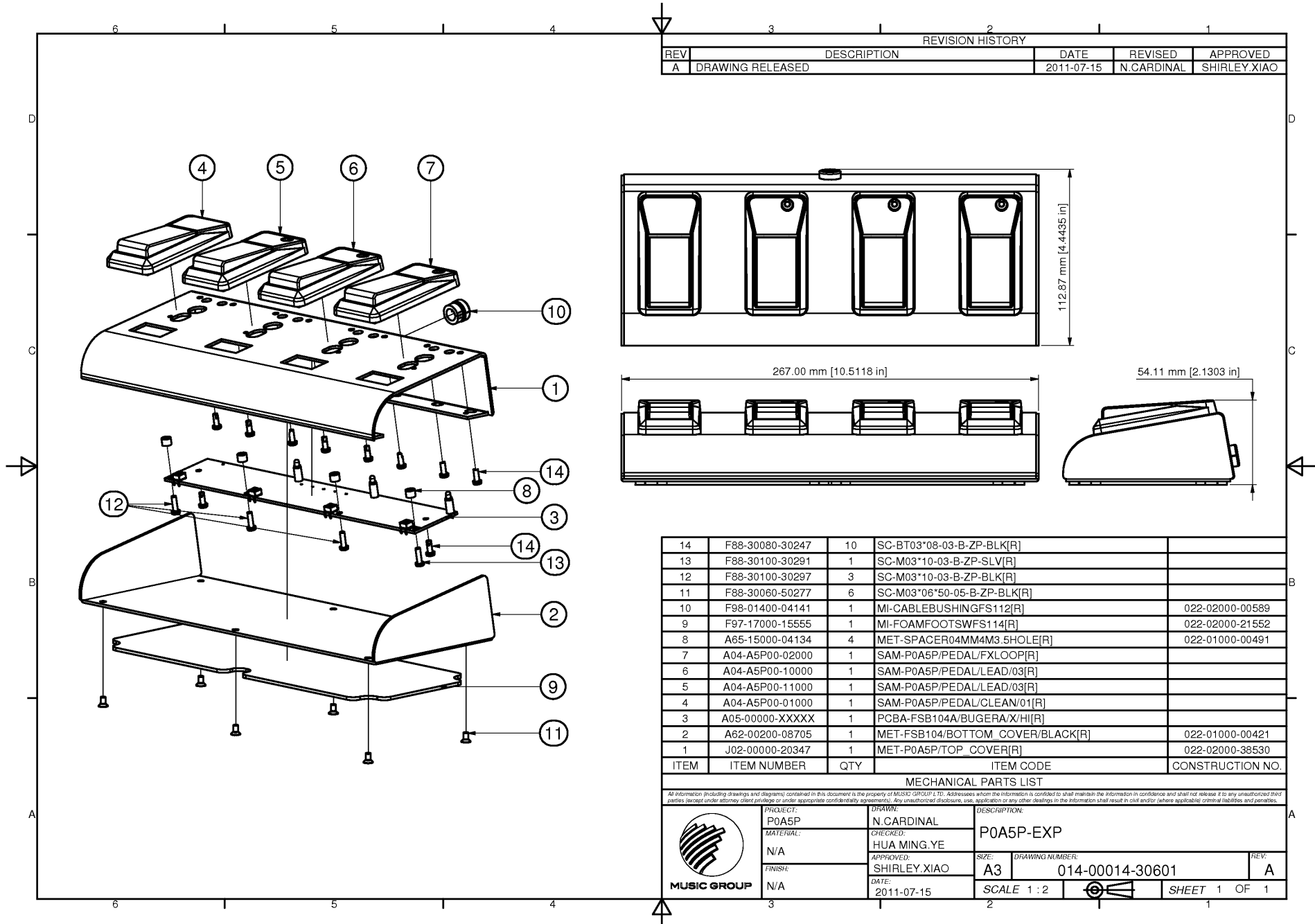
5	SEE TABLE	1	SEE TABLE FOR THE LABEL USED PER MODULE	SEE TABLE
4	F93-11000-04288	1	SC-SPRING6*14.8[R]	022-01000-15518
3	F87-01000-12070	1	MI-RUBBERPAD6X2,5MM[R]	022-02000-00560
2	G52-80500-09382	1	PLA-SWKNOBFOOT1[R]	022-02000-14788
1	G58-53000-25624	1	PLA-SWITCHBASEFOOT1[R]	022-02000-14971
ITEM	ITEM NUMBER	QTY	ITEM CODE	CONSTRUCTION NO.

MECHANICAL PARTS LIST

All information (including drawings and diagrams) contained in this document is the property of MUSIC GROUP LTD. Addressees whom the information is confided to shall maintain the information in confidence and shall not release it to any unauthorized third parties (except under attorney client privilege or under appropriate confidentiality agreements). Any unauthorized disclosure, use, application or any other dealings in the information shall result in civil and/or (where applicable) criminal liabilities and penalties.

 MUSIC GROUP	PROJECT: P0A5P	DRAWN: N.CARDINAL	DESCRIPTION: P0A5P-PEDAL-EXP	
	MATERIAL: N/A	CHECKED: HUA MING.YE	SIZE: A4	DRAWING NUMBER: 014-00024-25001
	FINISH: N/A	APPROVED: SHIRLEY.XIAO	REV: A	
	DATE: 2011-07-15	SCALE 1 : 1		SHEET 1 OF 1





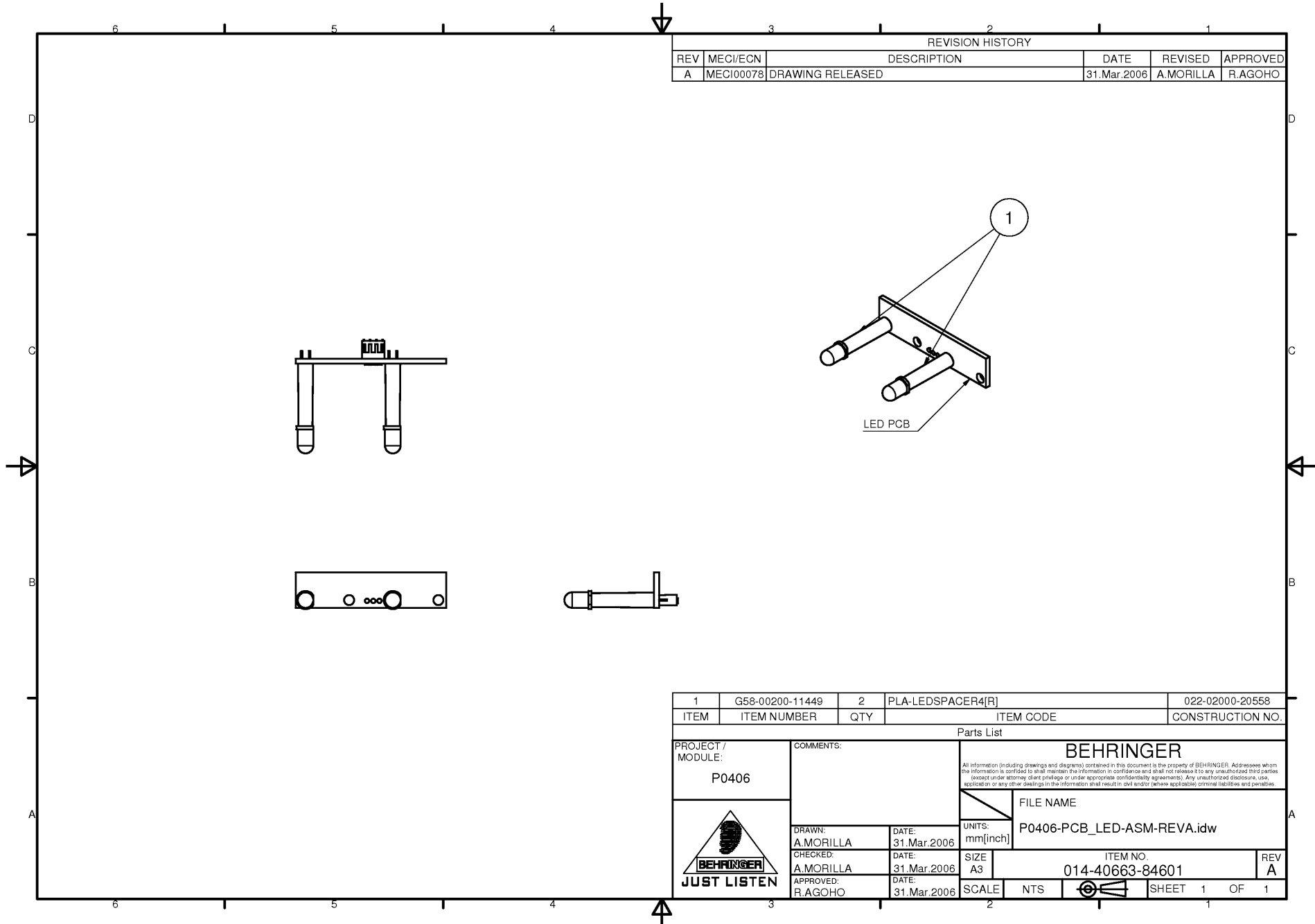
REVISION HISTORY				
REV	DESCRIPTION	DATE	REVISED	APPROVED
A	DRAWING RELEASED	2011-07-15	N.CARDINAL	SHIRLEY.XIAO

ITEM	ITEM NUMBER	QTY	ITEM CODE	CONSTRUCTION NO.
14	F88-30080-30247	10	SC-BT03*08-03-B-ZP-BLK[R]	
13	F88-30100-30291	1	SC-M03*10-03-B-ZP-SLV[R]	
12	F88-30100-30297	3	SC-M03*10-03-B-ZP-BLK[R]	
11	F88-30060-50277	6	SC-M03*06*50-05-B-ZP-BLK[R]	
10	F98-01400-04141	1	MI-CABLEBUSHINGFS112[R]	022-02000-00589
9	F97-17000-15555	1	MI-FOAMFOOTSWFS114[R]	022-02000-21552
8	A65-15000-04134	4	MET-SPACER04MM4M3.5HOLE[R]	022-01000-00491
7	A04-A5P00-02000	1	SAM-P0A5P/PEDAL/FXLOOP[R]	
6	A04-A5P00-10000	1	SAM-P0A5P/PEDAL/LEAD/03[R]	
5	A04-A5P00-11000	1	SAM-P0A5P/PEDAL/LEAD/03[R]	
4	A04-A5P00-01000	1	SAM-P0A5P/PEDAL/CLEAN/01[R]	
3	A05-00000-XXXXX	1	PCBA-FSB104A/BUGERA/X/HI[R]	
2	A62-00200-08705	1	MET-FSB104/BOTTOM_COVER/BLACK[R]	022-01000-00421
1	J02-00000-20347	1	MET-P0A5P/TOP_COVER[R]	022-02000-38530

MECHANICAL PARTS LIST

All information (including drawings and diagrams) contained in this document is the property of MUSIC GROUP LTD. Addressees whom the information is confided to shall maintain the information in confidence and shall not release it to any unauthorized third parties (except under attorney client privilege or under appropriate confidentiality agreements). Any unauthorized disclosure, use, application or any other dealings in the information shall result in civil and/or (where applicable) criminal liabilities and penalties.

	PROJECT:	P0A5P	DESIGN:	N.CARDINAL	DESCRIPTION:	P0A5P-EXP	
	MATERIAL:	N/A	CHECKED:	HUA MING.YE	SIZE:	DRAWING NUMBER:	REV:
	FINISH:	N/A	APPROVED:	SHIRLEY.XIAO	A3	014-00014-30601	A
	DATE:	2011-07-15	SCALE	1:2	SHEET 1 OF 1		



REVISION HISTORY					
REV	MECI/ECN	DESCRIPTION	DATE	REVISED	APPROVED
A	MECI00078	DRAWING RELEASED	31.Mar.2006	A.MORILLA	R.AGOHO

1	G58-00200-11449	2	PLA-LEDSPACER4[R]	022-02000-20558	
ITEM	ITEM NUMBER	QTY	ITEM CODE	CONSTRUCTION NO.	
Parts List					
PROJECT / MODULE: P0406		COMMENTS: BEHRINGER <small>All information (including drawings and diagrams) contained in this document is the property of BEHRINGER. Addressees whom the information is confided to shall maintain the information in confidence and shall not release it to any unauthorized third parties (except under attorney client privilege or under appropriate confidentiality agreements). Any unauthorized disclosure, use, application or any other dealings in the information shall result in civil and/or (where applicable) criminal liabilities and penalties.</small>			
		FILE NAME P0406-PCB_LED-ASM-REVA.idw			
		DRAWN: A.MORILLA	DATE: 31.Mar.2006	UNITS: mm[inch]	ITEM NO. 014-40663-84601
		CHECKED: A.MORILLA	DATE: 31.Mar.2006	SCALE NTS	
APPROVED: R.AGOHO		DATE: 31.Mar.2006	SHEET 1 OF 1		

Bugera