

# Application Note AN-1138

---

## IRS2092(S) Functional Description

*By Jun Honda, Xiao-chang Cheng, Wenduo Liu*

### Table of Contents

	<b>Page</b>
General Description.....	1
Typical Implementation.....	1
PWM Modulator.....	3
MOSFET Selection.....	6
Protection Design .....	7
Deadtime Generator .....	12
Power Supply .....	14
Junction Temperature Estimation.....	15
Board Layout Considerations .....	15

**IRS2092(S) General Description**

The IRS2092(S) is a Class D audio amplifier driver with integrated PWM modulator and over current protection. Combined with two external MOSFETs and a few external components, the IRS2092(S) forms a complete Class D amplifier with dual over current, and shoot-through protection, as well as UVLO protection for the three bias supplies. The versatile structure of the analog input section with an error amplifier and a PWM comparator has the flexibility of implementing different types of PWM modulator schemes.

Loss-less current sensing utilizes  $R_{DS(on)}$  of the MOSFETs. The protection control logic monitors the status of the power supplies and load current across each MOSFET.

For the convenience of half bridge configuration, the analog PWM modulator and protection logic are constructed on a floating well.

The IRS2092(S) implements start-up click noise elimination to suppress unwanted audible noise during PWM start-up and shut-down.

**Typical Implementation**

The following explanations are based on a typical application circuit with self-oscillating PWM topology shown in Figure 1. For further information, refer to the IRAUDAMP5 reference design.

**Input Section**

The audio input stage of IRS2092(S) is configured as an inverting error amplifier.

In Figure 2, the voltage gain of the amplifier  $G_V$  is determined by input resistor  $R_{IN}$  and feedback resistor  $R_{FB}$ .

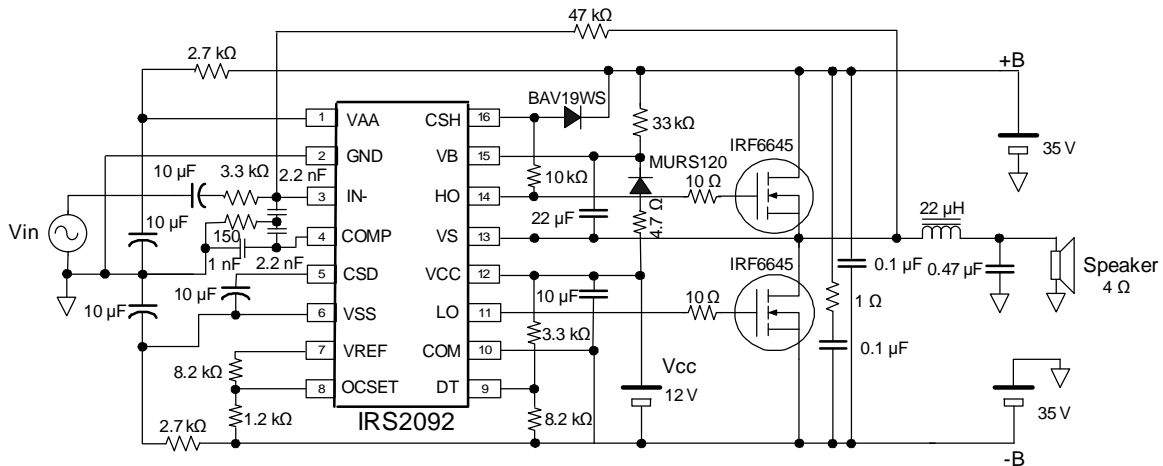
$$G_V = \frac{R_{FB}}{R_{IN}}$$

Since the feedback resistor  $R_{FB}$  is part of an integrator time constant, which determines switching frequency, changing overall voltage gain by  $R_{IN}$  is simpler and, therefore, recommended in most cases.

Note that the input impedance of the amplifier is equal to the input resistor  $R_{IN}$ .

A DC blocking capacitor C3 should be connected in series with  $R_{IN}$  to minimize DC offset in the output. A ceramic capacitor is not recommended due to potential distortion. Minimizing DC offset is essential for audible noise-less Turn-ON and -OFF.

The connection of the non-inverting input  $IN+$  is a reference for the error amplifier, and thus is crucial for audio performance. Connect  $IN+$  to the signal reference ground in the system, which has same potential as the negative terminal of the speaker output.



**Figure 1 IRS2092(S) Typical Application Circuit**

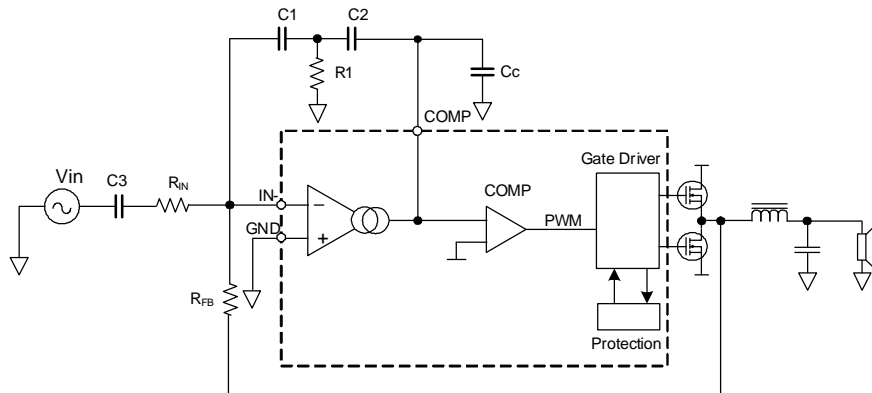


Figure 2 IRS2092(S) Typical Control Loop Design

## OTA

The front end error amplifier of the IRS2092(S) features an operational trans-conductance amplifier (OTA), which is carefully designed to obtain optimal audio performance. The OTA outputs a current output to the COMP pin, unlike a voltage output in an operational amplifier (OPA). The non-inverting input is internally tied to the GND pin. The inverting input has clamping diodes to GND to improve recovery from clipping as well as ensuring stable start up. The OTA output COMP is internally connected to the PWM comparator whose threshold is  $(V_{AA}-V_{SS})/2$ .

For stable operation of the OTA, a compensation capacitor  $C_c$  minimum of 1nF is required.

The OTA is shut off when  $V_{CSD} < V_{th2}$ .

## PWM Modulator

The IRS2092(S) allows the user to choose from numerous ways of PWM modulator implementations. In this section, all the explanations are based on a typical application circuit of a self oscillating PWM.

### Self-Oscillating PWM Modulator Design

The typical application features self oscillating PWM scheme. For better audio performance, 2<sup>nd</sup> order integration in the front end is chosen.

## Self-Oscillating Frequency

Self oscillating frequency is determined mainly by the following items in Figure 2.

- Integration capacitors, C1 and C2
- Integration resistor, R1
- Propagation delay in the gate driver
- Feedback resistor,  $R_{FB}$
- Duty cycle

Self oscillating frequency has little influences from bus voltage and input resistance  $R_{IN}$ . Note that as is the nature of a self-oscillating PWM, the switching frequency decreases as PWM modulation deviates from idling.

## Determining Self-Oscillating Frequency

Choosing switching frequency entails making a trade off between many aspects.

At lower switching frequency, the efficiency at MOSFET stage improves, but inductor ripple current increases. The output carrier leakage increases.

At higher switching frequency, the efficiency degrades due to switching loss, but wider bandwidth can be achieved. The inductor ripple decreases yet iron loss increases. The junction temperature of gate driver IC might be a stopper for going higher frequency.

For these reasons, 400kHz is chosen for a typical design example, which can be seen in the IRAUDAMP5 reference design.

**Choosing External Components Value**

For suggested values of components for a given target self oscillating frequency, refer to Table 1.

The OTA output has limited voltage and current compliances. These sets of components values are to ensure that OTA operates within its linear region so optimal THD+N performance can be achieved.

In case target frequency is somewhere in between the frequencies listed in the Table 1, adjust the frequency by tweaking R1, if necessary.

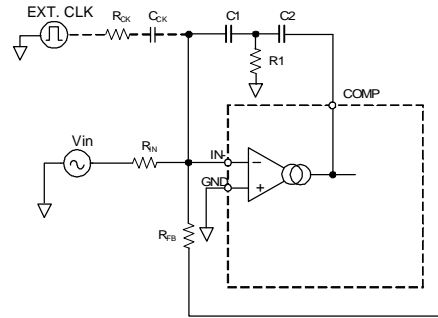
Target Self-Oscillation Frequency (kHz)	C1=C2 (nF)	R1 (ohms)
500	2.2	200
450	2.2	165
400	2.2	141
350	2.2	124
300	2.2	115
250	2.2	102
200	4.7	41.2
150	10	20.0
100	10	14.0
70	22	4.42

Condition: IRS2092 with IRFB4212, Vbus=±35V, DT=25ns, R<sub>FB</sub>=47k.

**Table 1 External Component Values vs. Self Oscillation Frequency**

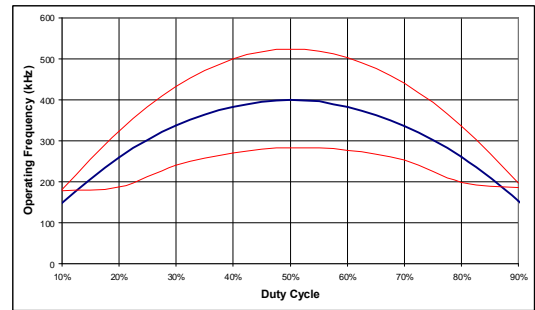
**Clock Synchronization**

In the typical PWM control loop design, the self-oscillating frequency can be set and synchronized to an external clock. Through a set of resistor and a capacitor, the external clock injects periodic pulsating charges into the integrator, forcing oscillation to lock up to the external clock frequency. Typical setup with 5Vp-p 50% duty clock signal uses R<sub>CK</sub>=22k and C<sub>CK</sub>=33pF in Figure 3. To maximize audio performance, the self running frequency without clock injection should be 20 to 30% higher than the external clock frequency.



**Figure 3 External Clock Sync**

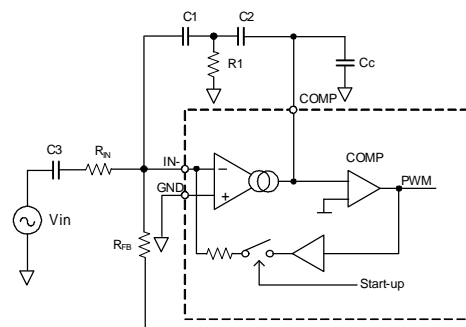
Figure 4 shows how self-oscillating frequency locks up to an external clock frequency.



**Figure 4 Typical Lock Range to External Clock**

**Click Noise Elimination**

The IRS2092(S) has a unique feature that minimizes Turn-ON and -OFF audible click noise. When CSD is in between V<sub>th1</sub> and V<sub>th2</sub> during start up, an internal closed loop around the OTA enables an oscillation that generates voltages at COMP and IN-, bringing them to steady state values. It runs at around 1MHz, independent from the switching oscillation.



**Figure 5 Click Noise Elimination**

As a result, all capacitive components connected to COMP and IN- pins, such as C1, C2, C3 and Cc in Figure 5, are pre-charged to their steady state values during the star up sequence. This allows instant settling of PWM operation.

To utilize the click noise reduction function, following conditions must be met.

1. CSD pin has slow enough ramp up from Vth1 to Vth2 such that the voltages in the capacitors can settle to their target values.
2. High side bootstrap power supply needs to be charged up prior to starting oscillation.
3. Audio input has to be zero.
4. For internal local loop to override external feedback during the startup period, DC offset at speaker output prior to shutdown release has to satisfy the following condition.

$$DC_{offset} < 30\mu A \cdot R_{FB}$$

### CSD Voltage and OTA Operational Mode

The CSD pin determines the operational mode of the IRS2092(S). The OTA has three operational modes; cut off, local oscillation and normal operation while the gate driver section has two modes; normal and shutdown with CSD voltage.

When  $V_{CSD} < V_{th2}$ , the IC is in shutdown mode and the OTA is cut off.

When  $V_{th2} < V_{CSD} < V_{th1}$ , the HO and LO outputs are still in shutdown mode. The OTA is activated and starts local oscillation, which pre-biases all the capacitive components in the error amplifier.

When  $V_{CSD} > V_{th1}$ , shutdown is released and PWM operation starts.

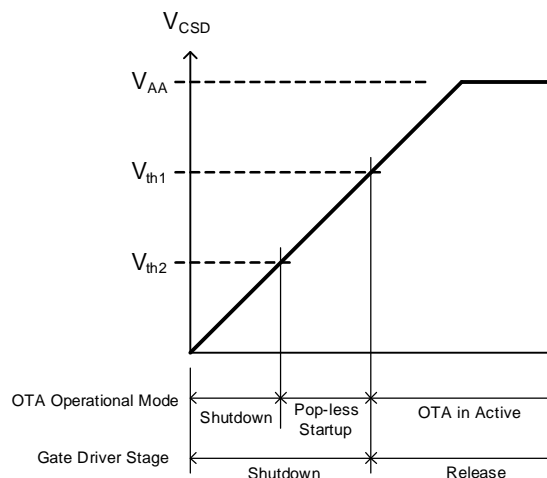


Figure 6  $V_{CSD}$  and OTA Mode

### Self-oscillation Start-up Condition

The IRS2092(S) requires the following conditions to be met to start PWM oscillation in the typical application circuit.

- All the control power supplies, VAA, VSS, VCC and VBS are above the under voltage lockout thresholds.
- CSD pin voltage is over Vth1 threshold.
- $|i_{IN}| < |i_{FB}|$

$$\text{Where } i_{IN} = \frac{V_{IN}}{R_{IN}}, i_{FB} = \frac{V_{+B}}{R_{FB}}$$

Note that this condition also limits the maximum audio input voltage feeding into R1. If this condition is exceeded, the amplifier stops its oscillation during the operation period. This allows a 100% modulation index; however, a care should be taken so that the high side floating supply does not decay due to a lack of low side pulse ON state.

### **MOSFET Selection**

There are a couple of limitations on size of MOSFET to be combined with the IRS2092(S).

#### 1. Power dissipation

Power dissipation from gate driver stage in the IRS2092(S) is proportional to switching frequency and gate charge of MOSFET. Higher the switching frequency the lower the gate charge that can be used.

Refer to Junction Temperature Estimation later in this application note for details.

#### 2. Switching Speed

Internal over current protection has a certain time window to measure the output current. If switching transition takes too long, the internal OCP circuitry starts monitoring voltage across the MOSFET that induces false triggering of OCP. Less than 40nC of gate charge per output is recommended.

The IRS2092(S) accommodates a range of IR Digital Audio MOSFETs, providing a scalable design for various output power levels. For further information on MOSFET section, refer to AN-1070, Class D Amplifier Performance Relationship to MOSFET Parameters.

**Protection Design**

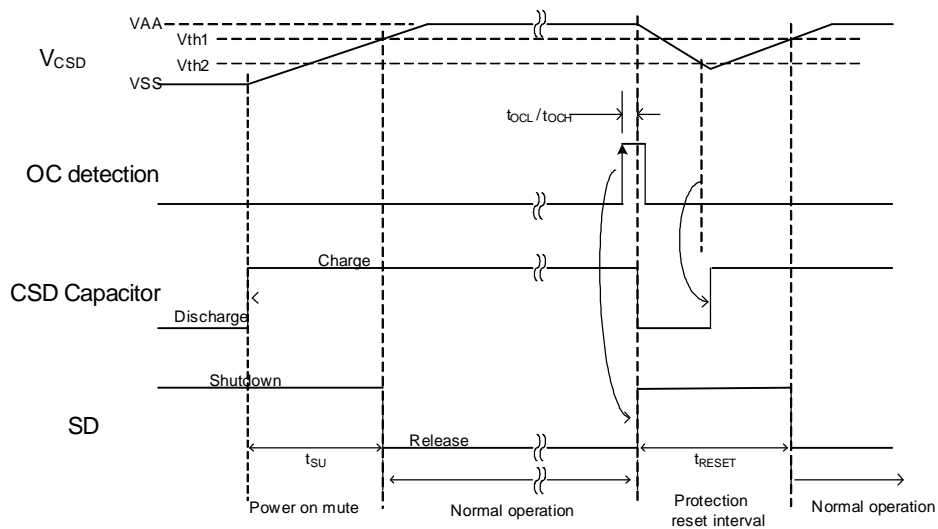
**Over Current Protection (OCP)**

The IRS2092(S) features over current protection to protect the power MOSFETs during abnormal load conditions. The IRS2092(S) starts a sequence of events when it detects an over current condition during either high side or low side turn on of a pulse. As soon as either the high side or low side current sensing block detects over current:

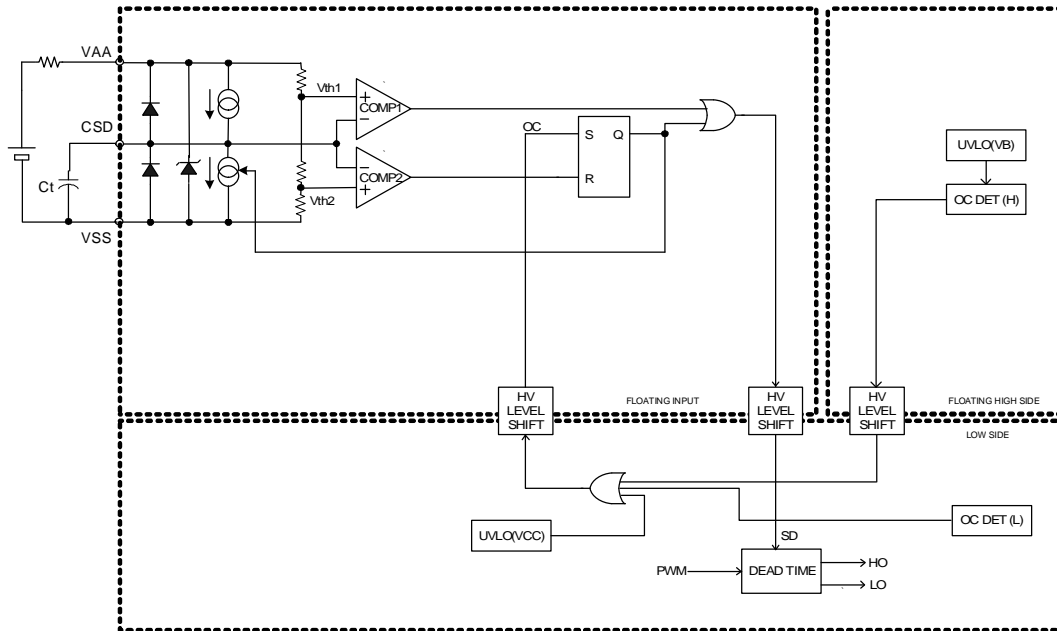
1. The OC Latch (OCL) flips logic states and shutdowns the outputs LO and HO.

2. The CSD pin starts discharging the external capacitor  $C_t$ .
3. When  $V_{CSD}$ , the voltage across  $C_t$ , falls below the lower threshold  $V_{th2}$ , an output signal from COMP2 resets OCL.
4. The CSD pin starts charging the external capacitor  $C_t$ .
5. When  $V_{CSD}$  goes above the upper threshold  $V_{th1}$ , the logic on COMP1 flips and the IC resumes operation.

As long as the over current condition exists, the IC will repeat the over current protection sequence at a repetition rate dependent upon capacitance in CSD pin.



**Figure 7 Over Current Protection Timing Chart**



**Figure 8 Shutdown Functional Block Diagram**

**Protection Control**

The internal protection control block dictates the operational mode, normal or shutdown, using the input of the CSD pin. In shutdown mode, the IC forces LO and HO to output 0V with respect to COM and VS respectively to turn off the power MOSFETs.

The CSD pin provides five functions.

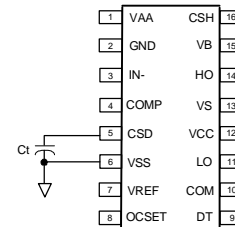
1. Power up delay timer
2. Self-reset timer
3. Shutdown input
4. Latched protection configuration
5. Shutdown status output (host I/F)

The CSD pin cannot be paralleled with other IRS2092(S).

**Self Reset Protection**

By putting a capacitor between CSD and V<sub>SS</sub>, the IRS2092(S) resets itself after entering shutdown mode.

After the OCP event, CSD pin discharges Ct voltage V<sub>CSD</sub> down to the lower threshold V<sub>th2</sub> to reset the internal shutdown latch. Then, the IRS2092(S) begins to charge Ct in an attempt to resume operation. Once the voltage of the CSD pin rises above the upper threshold, V<sub>th1</sub>, the IC resumes normal operation.



**Figure 9 Self Reset Protection Configuration**

**Designing Ct**

The timing capacitor, Ct, is used to program t<sub>RESET</sub> and t<sub>SU</sub>.

- t<sub>RESET</sub> is the amount of time that elapses from when the IC enters shutdown mode to the time when the IC resumes operation. t<sub>RESET</sub> should be long enough to avoid overheating the MOSFETs from the repetitive sequence of shutting down and resuming operation during over current conditions. In most of the applications, the minimum recommended time for t<sub>RESET</sub> is 0.1 second.
- t<sub>SU</sub> is the amount of time between powering up the IC in shutdown mode to the moment the IC releases shutdown to begin normal operation.



The Ct determines  $t_{RESET}$  and  $t_{SU}$  as following equations:

$$t_{RESET} = \frac{Ct \cdot V_{DD}}{1.1 \cdot I_{CSD}} \quad [s]$$

$$t_{SU} = \frac{Ct \cdot V_{DD}}{0.7 \cdot I_{CSD}} \quad [s]$$

where  $I_{CSD}$  = the charge/discharge current at the CSD pin  
 $V_{DD}$  = the floating input supply voltage with respect to  $V_{SS}$ .

### Shutdown Input

The IRS2092(S) can be shut down by an external shutdown signal SD. Figure 10 shows how to add an external discharging path to shutdown the PWM.

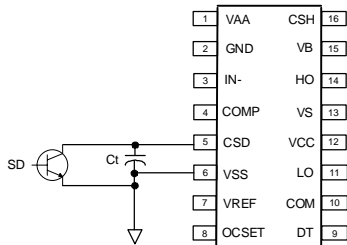


Figure 10 Shutdown Input

### Latched Protection

Connecting CSD to  $V_{DD}$  through a  $10k \Omega$  or less resistor configures the over current protection latch. The latch locks the IC in shutdown mode after over current is detected. An external reset switch can be used to bring CSD below the lower threshold  $V_{th2}$  for a minimum of 200ns to properly reset the latch. After the power up sequence, a reset signal to the CSD pin is required to release the IC from the latched shutdown mode.

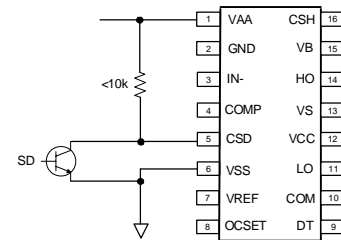


Figure 11 Latched Protection with Reset Input

### Interfacing with System Controller

The IRS2092(S) can communicate with an external system controller through a simple interfacing circuit shown in Figure 12. A generic PNP transistor U1 detects the sink current at the CSD pin during an OCP event and outputs a shutdown signal to an external system controller. Another generic NPN transistor U2 can then reset the internal protection logic by pulling the CSD voltage below the lower threshold  $V_{th2}$  for a minimum of 200ns. Note that the CSD pin is configured to operate in latched OCP. After the power up sequence, a reset signal to the CSD pin is required to release the IC from shutdown mode.

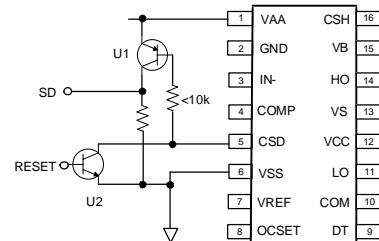


Figure 12 Interfacing with Host Controller

### Programming OCP Trip Level

In a Class D audio amplifier, the direction of the load current alternates with the audio input signal. An over-current condition can therefore occur during either a positive current cycle or a negative current cycle. The IRS2092(S) uses the  $R_{DS(on)}$  of the output MOSFETs as current sensing resistors. Due to the structural constraints of high voltage ICs, current sensing is implemented differently for the high side and low side. If the measured current exceeds a predetermined threshold, the OCP block outputs a signal to the protection block, forcing HO and LO low and protecting the MOSFETs.

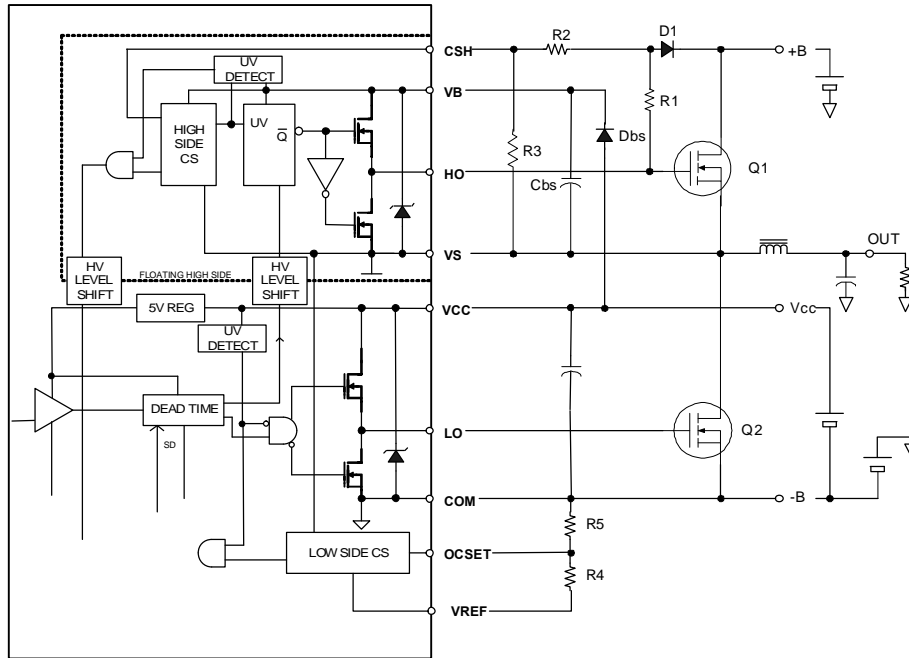


Figure 13 Bi-directional Over Current Protection

### Low Side Over Current Sensing

For negative load currents, low side over current sensing monitors the load condition and shuts down switching operation if the load current exceeds the preset trip level.

Low side current sensing is based on the measurement of  $V_{DS}$  across the low side MOSFET during low side on state. In order to avoid triggering OCP from overshoot, a blanking interval inserted after LO turn on disables over current detection for 450ns.

The OCSET pin is to program the threshold for low side over current sensing. When the  $V_{DS}$  measured of the low side MOSFET exceeds the voltage at the OCSET pin with respect COM, the IRS2092(S) begins the OCP sequence described earlier.

Note that programmable OCSET range is 0.5V to 5.0V. To disable low side OCP, connect OCSET to VCC directly.

To program the trip level for over current, the voltage at OCSET can be calculated using the equation below.

$$V_{OCSET} = V_{DS(Low\ Side)} = I_{TRIP+} \times R_{DS(on)}$$

In order to minimize the effect of the input bias current at the OCSET pin, select resistor values for R4 and R5 such that the current through the voltage divider is 0.5mA or more.

\* Note: Using  $V_{REF}$  to generate an input to OCSET through a resistive divider provides improved immunity from fluctuations in  $V_{CC}$ .

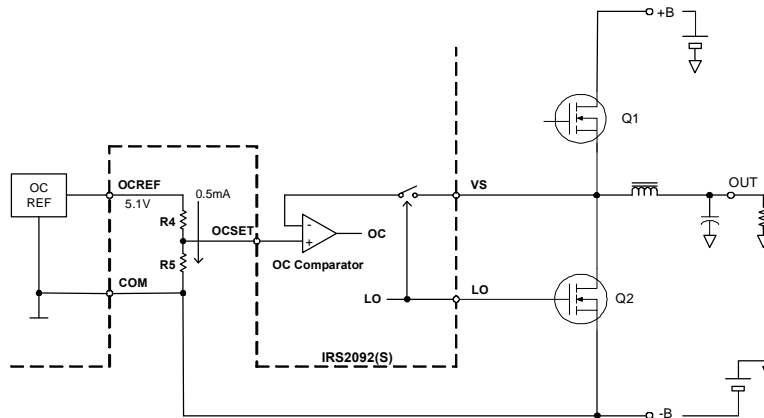


Figure 14 Low Side Over Current Sensing

### Low Side Over Current Setting

Let the low side MOSFET has  $R_{DS(on)}$  of 100m $\Omega$ . We wish to set the current trip level at 30A.  $V_{OCSET}$  is given by:

$$V_{OCSET} = I_{TRIP+} \times R_{DS(on)} = 30A \times 100m\Omega = 3.0V$$

Choose  $R4+R5=10\text{ k}\Omega$  to properly load the VREF pin.

$$R_5 = \frac{V_{OCSET}}{V_{REF}} \cdot 10k\Omega$$

$$= \frac{3.0V}{5.1V} \cdot 10k\Omega$$

$$= 5.8k\Omega$$

where  $V_{REF} = 5.1V$

Based on the E-12 series of resistor values, choose R5 to be 5.6k $\Omega$  and R4 to be 3.9k $\Omega$  to complete the design.

In general,  $R_{DS(on)}$  has a positive temperature coefficient that needs to be considered when setting the threshold level. Also, variations in  $R_{DS(on)}$  will affect the selection of external or internal component values.

### High Side Over-Current Sensing

For positive load currents, high side over current sensing also monitors the load condition and shuts down switching operation if the load current exceeds the preset trip level.

High side current sensing is based on the measurement of  $V_{DS}$  across the high side MOSFET during high side turn on through pins CSH and Vs. In order to avoid triggering OCP from overshoot, a blanking interval inserted after HO turn on disables over current detection for 450ns.

In contrast to low side current sensing, the threshold at which the CSH pin engages OC protection is internally fixed at 1.2V. An external resistive divider R2 and R3 can be used to program a higher threshold.

An external reverse blocking diode, D1, is required to block high voltages from feeding into the CSH pin while the high side is off. Due to a forward voltage drop of 0.6V across D1, the minimum threshold required for high side over current protection is 0.6V.

$$V_{CSH} = \frac{R3}{R2 + R3} \cdot (V_{DS(HIGH\ SIDE)} + V_{F(D1)})$$

where  $V_{DS(HIGH\ SIDE)}$  = the drain to source voltage of the high side MOSFET during high side turn on  
 $V_{F(D1)}$  = the forward drop voltage of D1

Since  $V_{DS(HIGH\ SIDE)}$  is determined by the product of drain current  $I_D$  and  $R_{DS(on)}$  of the high side MOSFET.  $V_{CSH}$  can be rewritten as:

$$V_{CSH} = \frac{R3}{R2 + R3} \cdot (R_{DS(ON)} \cdot I_D + V_{F(D1)})$$

The reverse blocking diode D1 is forward biased by a 10k $\Omega$  resistor R1.

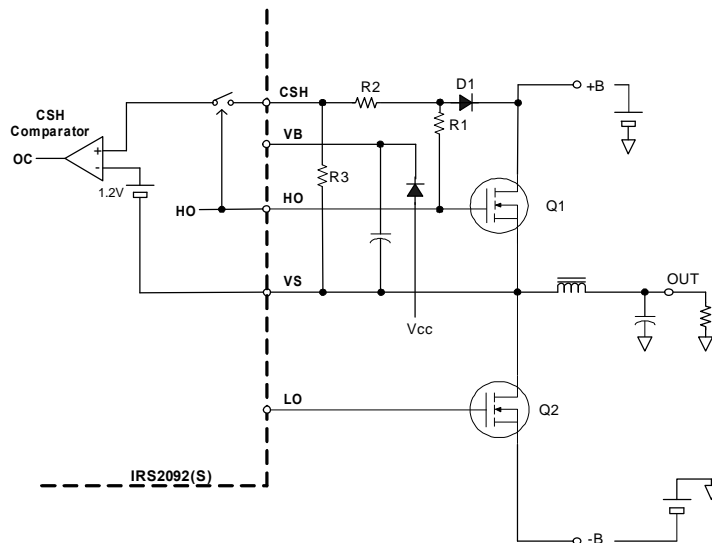


Figure 15 Programming High Side Over Current Threshold

### High Side Over Current Setting

Figure 15 demonstrates the typical circuitry used for high side current sensing. In the following example, the over current protection level is set to trip at 30A using a MOSFET with an  $R_{DS(on)}$  of 100m $\Omega$ . The component values of R2 and R3 can be calculated using the following formula:

Let  $R_2 + R_3 = 10 \text{ k}\Omega$ .

$$R_3 = 10 \text{ k}\Omega \cdot \frac{V_{th_{OCH}}}{V_{DS} + V_F}$$

where  $V_{th_{OCL}} = 1.2 \text{ V}$

$V_F$  = the forward voltage of reverse blocking diode D1 = 0.6V.

$V_{DS@ID=30A}$  = the voltage drop across the high side MOSFET when the MOSFET current is 30A.

Therefore,  $V_{DS@ID=30A} = I_D \times R_{DS(on)} = 30 \text{ A} \times 100 \text{ m}\Omega = 3 \text{ V}$

Based on the formulas above,  $R_2 = 6.8 \text{ k}\Omega$  and  $R_3 = 3.3 \text{ k}\Omega$ .

### Choosing the Correct Right Reverse Blocking Diode

The selection of the appropriate reverse blocking diode D1 depends on its voltage rating and speed. To effectively block bus voltages, the reverse voltage must be higher than the voltage difference

between +B and -B and the reverse recovery time must be as fast as the boot strap charging diode. A diode such as the Philips BAV21W, a 200V, 50ns high speed switching diode, is more than sufficient.

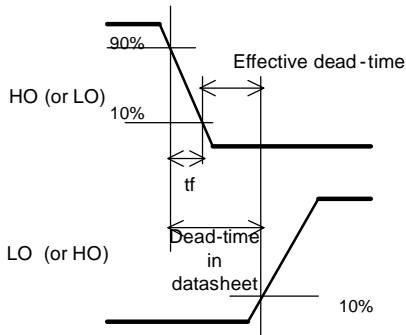
### Dead-Time Generator

Dead-time is the blanking period inserted between either high-side Turn-OFF and low-side Turn-ON, or low-side Turn-OFF and high-side Turn-ON. Its purpose is to prevent shoot through, or a rush of current through both MOSFETs. In the IRS2092(S), an internal dead-time generation block allows the user to select the optimum dead time from a range of preset values. Selecting a preset dead-time through the DT/SD pin voltage can easily be done through an external voltage divider. This way of setting dead-time prevents outside noise from modulating the switching timing, which is critical to the audio performance.

### How to Determine Optimal Dead-Time

The effective dead-time in an actual application differs from the dead-time specified in this datasheet due to the switching fall time,  $t_f$ . The dead-time value in this datasheet is defined as the time period between the beginning of turn-off on one side of the switching stage and the beginning of turn-on on the other side as shown in Figure 16. The fall time of the MOSFET gate voltage must be subtracted from the dead-time value in the datasheet to determine the effective dead-time of a Class D audio amplifier.

(Effective dead-time) = (Dead-time in datasheet) –  $t_f$



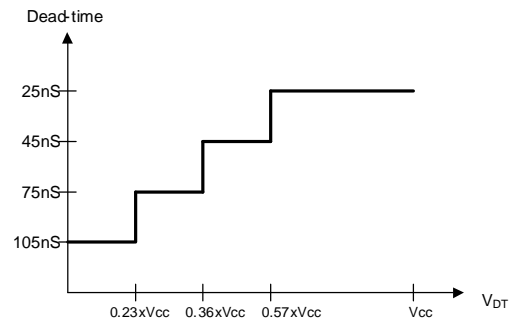
**Figure 16 Effective Dead Time**

A longer dead-time period is required for a MOSFET with a larger gate charge value because of the longer  $t_f$ . Although a shorter effective dead-time setting is beneficial to achieving better linearity in Class D amplifiers, the likelihood of shoot-through current increases with narrower dead-time settings. Negative values of effective dead-time may cause excessive heat dissipation in the MOSFETs, leading to potentially serious damage.

To calculate the optimal dead-time in a given application, the fall time  $t_f$  for both HO and LO in the actual circuit need to be taken into account. In addition, variations in temperature and device parameters could also affect the effective dead-time in the actual circuit. Therefore, a minimum effective dead-time of 10ns is recommended to avoid shoot-through current over the range of operating temperatures and supply voltages.

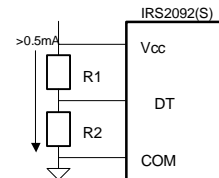
**Programming Dead-Time**

The IRS2092(S) selects the dead-time from a range of preset dead-time values based on the voltage applied at the DT pin. An internal comparator translates the DT input to a predetermined dead-time by comparing the input with internal reference voltages. These internal reference voltages are set in the IC through a resistive voltage divider using  $V_{CC}$ . The relationship between the operation mode and the voltage at DT pin is illustrated in the Figure17 below.



**Figure 17 Dead Time vs.  $V_{DT}$**

Table 3 suggests pairs of resistor values used in the voltage divider for selecting dead-time. Resistors with up to 5% tolerance are acceptable when using these values.



**Figure 18 External Voltage Divider**

Dead-time Mode	R1	R2	DT/SD Voltage
DT1	<10k	Open	$V_{CC}$
DT2	5.6k $\Omega$	4.7k $\Omega$	0.46 x $V_{CC}$
DT3	8.2k $\Omega$	3.3k $\Omega$	0.29 x $V_{CC}$
DT4	Open	<10k	COM

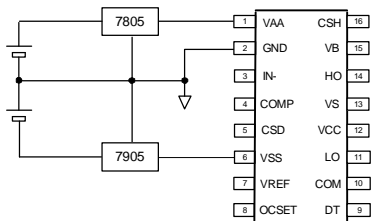
**Table 3 Recommended Resistor Values for Dead Time Selection**

**Supplying  $V_{AA}$  and  $V_{SS}$**

There are two ways to implement power supplies  $V_{AA}$  and  $V_{SS}$ .

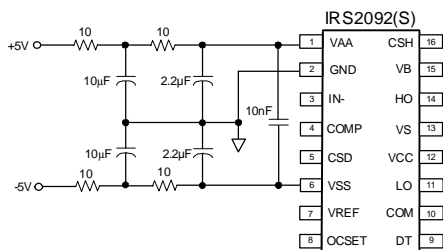
**1. Supplying  $V_{AA}$  and  $V_{SS}$  with External Regulators**

For best audio performance, it is preferred to produce  $V_{AA}$  and  $V_{SS}$  with external regulators, such as the three terminal regulators. To keep internal clamping zener diodes from conducting, the supply voltage should be  $V_{AA} < V_{CLAMP+}$  and  $V_{SS} > V_{CLAMP-}$ . Standard 7805 and 7905 regulators are suitable.



**Figure 19 Supplying  $V_{AA}$  and  $V_{SS}$  with External Regulators**

When switched mode regulators provide  $V_{AA}$  and  $V_{SS}$ , it is required to place a two stage noise filter in the supply lines as shown in Figure 20 to prevent noise from influencing the switching ripple voltage on +/-5V.



**Figure 20 Supplying  $V_{AA}$  and  $V_{SS}$  from Switched Mode Power Supply**

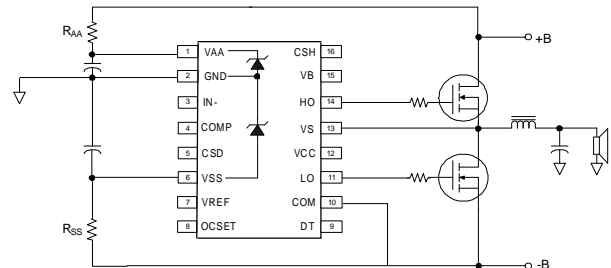
**2. Regulating  $V_{AA}$  and  $V_{SS}$  Using Internal Zener Diodes**

$V_{AA}$  and  $V_{SS}$  can be supplied with an internal zener diode clamp as a shunt regulator. Recommended

$I_{AA}$  and  $I_{SS}$ , the supply current for  $V_{AA}$  and  $V_{SS}$ , is 10mA.

This implementation is suggested when the main bus voltages, +B and -B, are supplied from a regulated power supply.

Set  $R_{AA}$  and  $R_{SS}$  values in Figure 21 such that the supply currents feeding into  $V_{AA}$  and  $V_{SS}$  are each 10mA.



**Figure 21 Regulating  $V_{AA}$  and  $V_{SS}$  with Internal Zener Diodes**

**Charging  $V_{BS}$  Prior to Start**

For proper start-up, the high side bootstrap capacitor is required to be charged prior to PWM start-up through a resistor  $R_{CHARGE}$  from the positive supply bus to the  $V_B$  pin. By utilizing an internal 20.8V zener diode between  $V_B$  and  $V_S$ , this scheme eliminates the need to charge the boot strap capacitor through low side turn on during start up.

The value of this charging resistor is subject to several constraints:

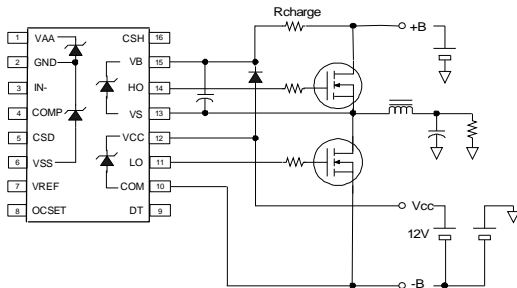
- The minimum resistance of  $R_{CHARGE}$  is limited by the maximum PWM modulation index of the system. When HO is high,  $R_{CHARGE}$  drains bootstrap power supply so it reduces holding up time, hence maximum continuous HO on time.
- The maximum resistance of  $R_{CHARGE}$  is limited by the current charge capability of the resistor during startup:

$$I_{CHARGE} > I_{QBS}$$

where  $I_{CHARGE}$  = the current through  $R_{CHARGE}$

$I_{QBS}$  = the high side supply quiescent current.

$I_{CHARGE}$  generates a DC offset at the speaker output prior to PWM start up. Check that the DC offset does not exceed a condition for click noise elimination. See Click Noise Elimination section for more detail.



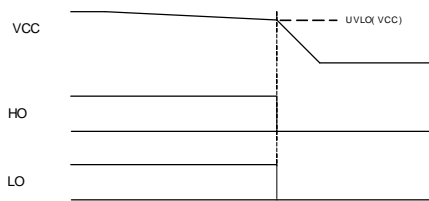
**Figure 22 Boot Strap Supply Pre-charging**

**Start-up Sequence (UVLO)**

The protection control block in the IRS2092(S) monitors the status of  $V_{AA}$  and  $V_{CC}$  to ensure that both voltage supplies are above their respective UVLO (Under Voltage Lock Out) thresholds before beginning normal operation. If either  $V_{AA}$  or  $V_{CC}$  is below the under voltage threshold, LO and HO are disabled in shutdown mode until both  $V_{AA}$  and  $V_{CC}$  rise above their voltage thresholds.

**Power-down Sequence**

As soon as  $V_{AA}$  or  $V_{CC}$  falls below its UVLO threshold, protection logic in the IRS2092(S) turns off LO and HO, shutting off the power MOSFETs.



**Figure 23 IRS2092(S) UVLO Timing Chart**

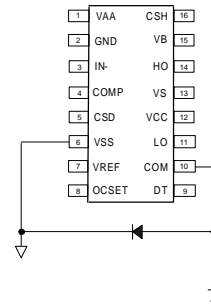
**Power Supply Decoupling**

Careful attention must be given to decoupling the power supplies for proper operation of the IC. Ceramic capacitors of 0.1µF or more should be placed close to the power supply pins of the IC on the board.

Please refer to the application note AN-978 for general design considerations of a high voltage gate driver IC.

**V<sub>SS</sub> Negative Bias Clamping**

An excessive negative  $V_{SS}$  voltage with respect to COM could damage the IRS2092(S).  $V_{SS}$  can go below COM when a negative supply is missing in a dual supply configuration. To protect the IC from this possibility, a diode is recommended for clamping potential negative biases to  $V_{SS}$ . A standard recovery diode with a current rating of 1A such as the 1N4002 is sufficient for this purpose.



**Figure 24 Negative  $V_{SS}$  Clamping**

**Junction Temperature Estimation**

The power dissipation in the IRS2092(S) is dominated by the following items:

- $P_{MID}$ : Power dissipation of the input floating logic and protection circuitry
- $P_{LSM}$ : Power dissipation of the Input Level Shifter
- $P_{LOW}$ : Power dissipation in low side
- $P_{LSH}$ : Power dissipation of the High-side Level Shifter
- $P_{HIGH}$ : Power dissipation in high side

The following equations are for your reference only. Because of the non-linear characteristics in gate drive stage, these assumptions may not be accurate.

**1.  $P_{MID}$ : Power Dissipation of the Input Floating Logic and Protection Circuitry**

The power dissipation of the input floating section is given by:

$$P_{MID} = P_{ZENER} + P_{OTA}$$

Where

$P_{ZENER}$  = the power dissipation from the internal zener diodes clamping  $V_{AA}$  and  $V_{SS}$

$P_{OTA}$  = the power dissipation from the internal OTA

When  $V_{AA}$  and  $V_{SS}$  are regulated with internal zener diode clamping,  $P_{MID}$  can be simplified as:

$$P_{MID} \approx (V_{AA} - V_{SS}) \cdot \frac{(V_{+BUS} - V_{AA}) + (V_{SS} - V_{-BUS})}{R_{AA} + R_{SS}}$$

Where

$V_{+BUS}$  = positive bus voltage feeding  $V_{AA}$   
 $V_{-BUS}$  = negative bus voltage feeding  $V_{SS}$   
 $R_{AA}$  = resistor feeding  $V_{AA}$  from  $V_{+BUS}$   
 $R_{SS}$  = resistor feeding  $V_{SS}$  from  $V_{-BUS}$

See Figure 21.

## 2. $P_{LSM}$ : Power Dissipation of the Input Level Shifter

$$P_{LSM} = 1.5 \times 10^{-9} \times f_{SW} \times V_{SS \text{ BIAS}}$$

Where

$f_{SW}$  = the PWM switching frequency  
 $V_{SS \text{ BIAS}}$  = the bias voltage of  $V_{SS}$  with respect to COM

## 3. $P_{LOW}$ : Power Dissipation of Low Side

The power dissipation of the low side comes from the losses of the logic circuitry and the losses of driving LO.

$$P_{LOW} = P_{LDD} + P_{LO}$$

$$= (I_{QCC} \cdot V_{CC}) + \left( V_{CC} \cdot Q_g \cdot f_{SW} \cdot \frac{R_O}{R_O + R_g + R_{g(int)}} \right)$$

Where

$P_{LDD}$  = power dissipation of the internal logic circuitry

$P_{LO}$  = power dissipation from of gate drive stage for LO

$R_O$  = output impedance of LO, typically 10  $\Omega$  for the IRS2092(S)

$R_{g(int)}$  = internal gate resistance of the low side MOSFET, typically 2 $\Omega$

$R_g$  = external gate resistance of the low side MOSFET

$Q_g$  = total gate charge of the low side MOSFET

## 4. $P_{LSH}$ : Power Dissipation of the High-side Level Shifter

$$P_{LSH} = 0.4nC \times f_{sw} \times V_{BUS}$$

Where

$f_{SW}$  = PWM switching frequency  
 $V_{BUS}$  = difference between the positive bus voltage and negative bus voltage

## 5. $P_{HIGH}$ : Power Dissipation of High Side

The power dissipation of the high side comes from the losses of the logic circuitry and the losses of driving HO.

$$P_{HIGH} = P_{LDD} + P_{HO}$$

$$= (I_{QBS} \cdot V_{BS}) + \left( V_{BS} \cdot Q_g \cdot f_{SW} \cdot \frac{R_O}{R_O + R_g + R_{g(int)}} \right)$$

Where

$P_{LDD}$  = power dissipation of the internal logic circuitry

$P_{HO}$  = power dissipation of the gate drive stage for HO

$R_O$  = equivalent output impedance of HO, typically 10  $\Omega$  for the IRS2092(S)

$R_{g(int)}$  = the internal gate resistance of the high side MOSFET, typically 2 $\Omega$

$R_g$  = external gate resistance of the high side MOSFET

$Q_g$  = total gate charge of the high side MOSFET



## 6. $P_D$ : Total Power Dissipation

Total power dissipation,  $P_D$ , is given by

$$P_D = P_{MID} + P_{LSM} + P_{LOW} + P_{HSM} + P_{HIGH}$$

## 7. $T_j$ : Junction Temperature

Given junction to ambient thermal resistance  $R_{thJA}$ , the junction temperature  $T_j$  can be calculated from the formula provided below and must not exceed  $150^\circ\text{C}$ .

$$T_j = R_{thJA} \cdot P_d + T_A < 150^\circ\text{C}$$

## Board Layout Considerations

The floating input section of the IRS2092(S) consists of a low noise OTA error amplifier and a PWM comparator along with CMOS logic circuitry. High frequency bypass capacitor  $C_{VAA-VSS}$  should be placed closest to the IRS2092(S) to supply the logic circuitry.  $C_{VAA}$  and  $C_{VSS}$  are for stable operation of the OTA and should be placed close to the IC. Gate driver supply capacitors  $C_{VCC}$  and  $C_{VBS}$  provide gate charging current and should also be placed close to the IRS2092(S).

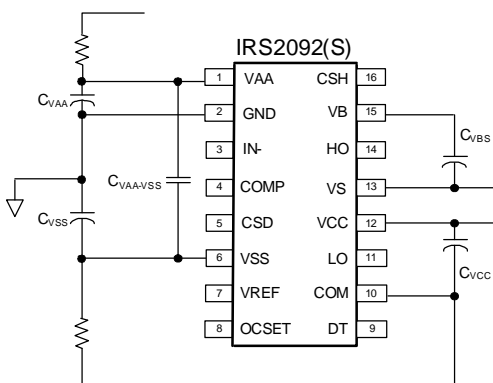


Figure 25 Placement Sensitive Bypass Capacitors

## Ground Plane

In addition to the key component locations mentioned above, it is important to properly pour ground planes to obtain good audio performance. The IRS2092(S) does not accept single ground

plane design because the integration of circuitries within the IC is referenced to different potentials. Proper application of the IRS2092(S) employs three reference potentials.

### 1. Analog Ground

The Input analog section around the OTA is referenced to the signal ground, or GND, which should be a quiet reference node for the audio input signal. The peripheral circuits in the floating input section such as CSD and COM pins refer to this ground. These nodes should all be separate from the switching stages of the system. In order to prevent potential capacitive coupling to the switching nodes, use a ground plane only in this part of the circuit. Do not share the ground plane with gate driver or power stages.

### 2. Gate Driver Reference

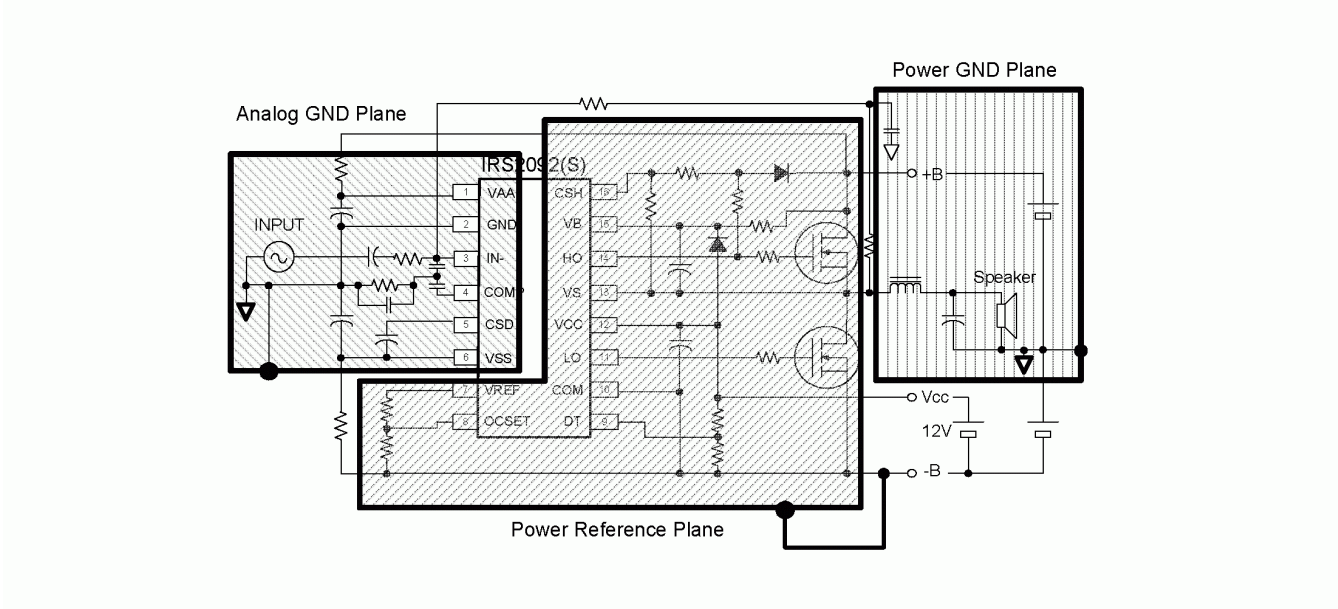
The gate driver stage of the IRS2092(S) is located between pins 10 and 15 and is referenced to the negative bus voltage, COM. This is the substrate of the IC and acts as ground. Although the negative bus is a noisy node in the system, both of the gate drivers refer to this node. Therefore, it is important to shield the gate drive stages with the negative bus voltage so that all the noise currents due to stray capacitances flow back to the power supply without degrading signal ground.

### 3. Power Ground

Power ground is the ground connection that closes the loops of the bus capacitors and inductor ripple current circuits. Separate the power ground and input signal grounds from each other as much as possible to avoid common stray impedances.

Figure 26 illustrates how to paint out reference planes. Power GND plane should include negative bus cap. Power reference plane should include Vcc. Also, Use distinctly different symbols for the different grounds.

For further board layout information, refer to AN-1135, PCB Layout with IR Class D Audio Gate Drivers



**Figure 26 Applying Ground Planes**