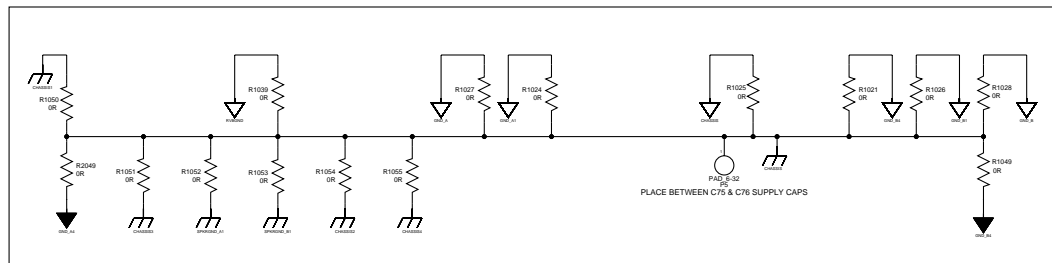
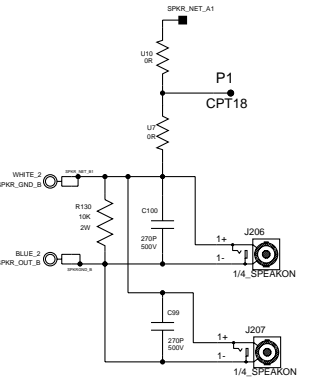
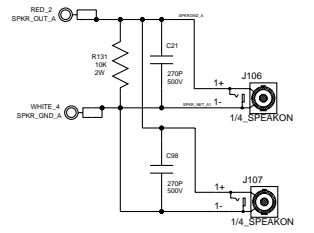
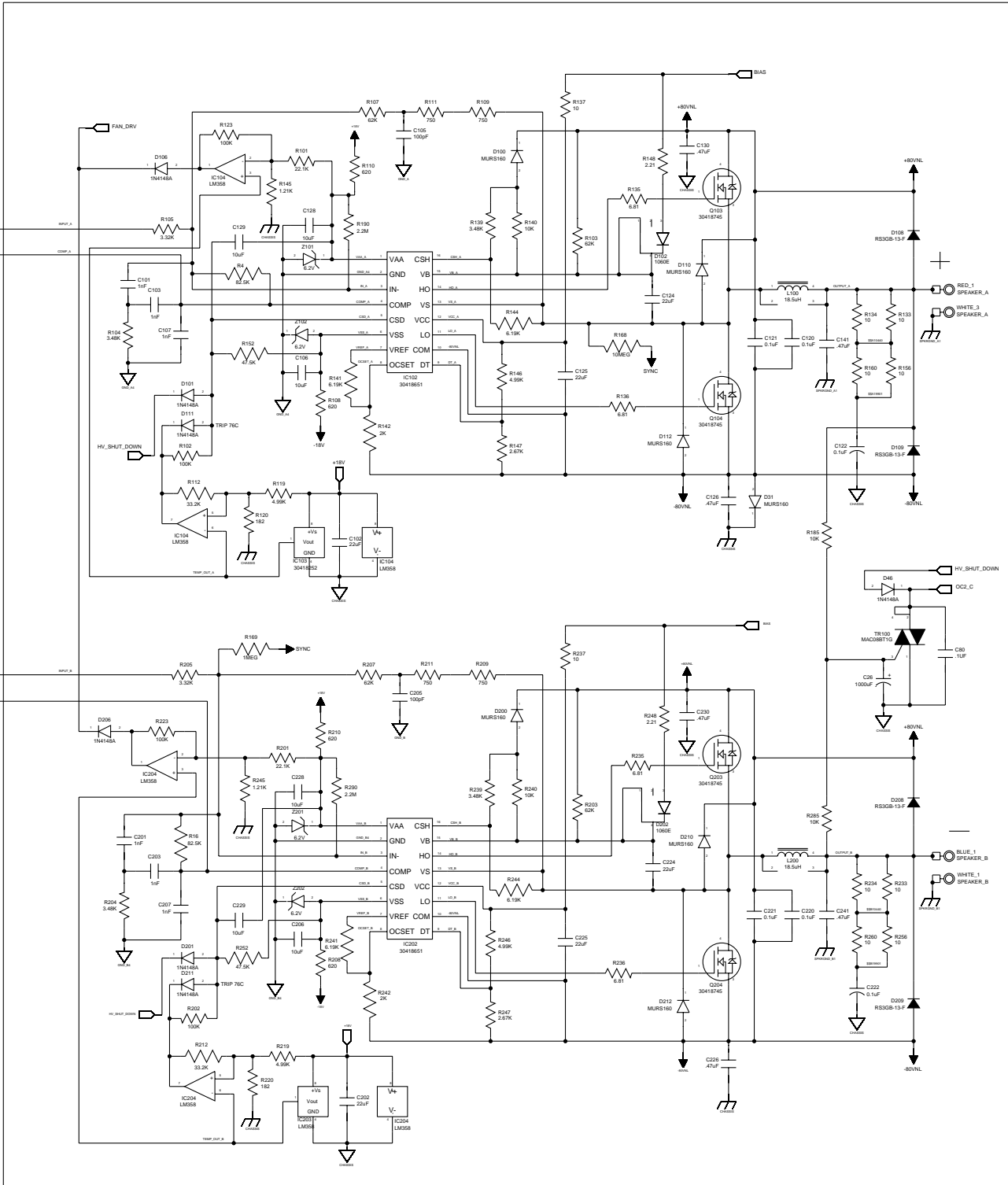
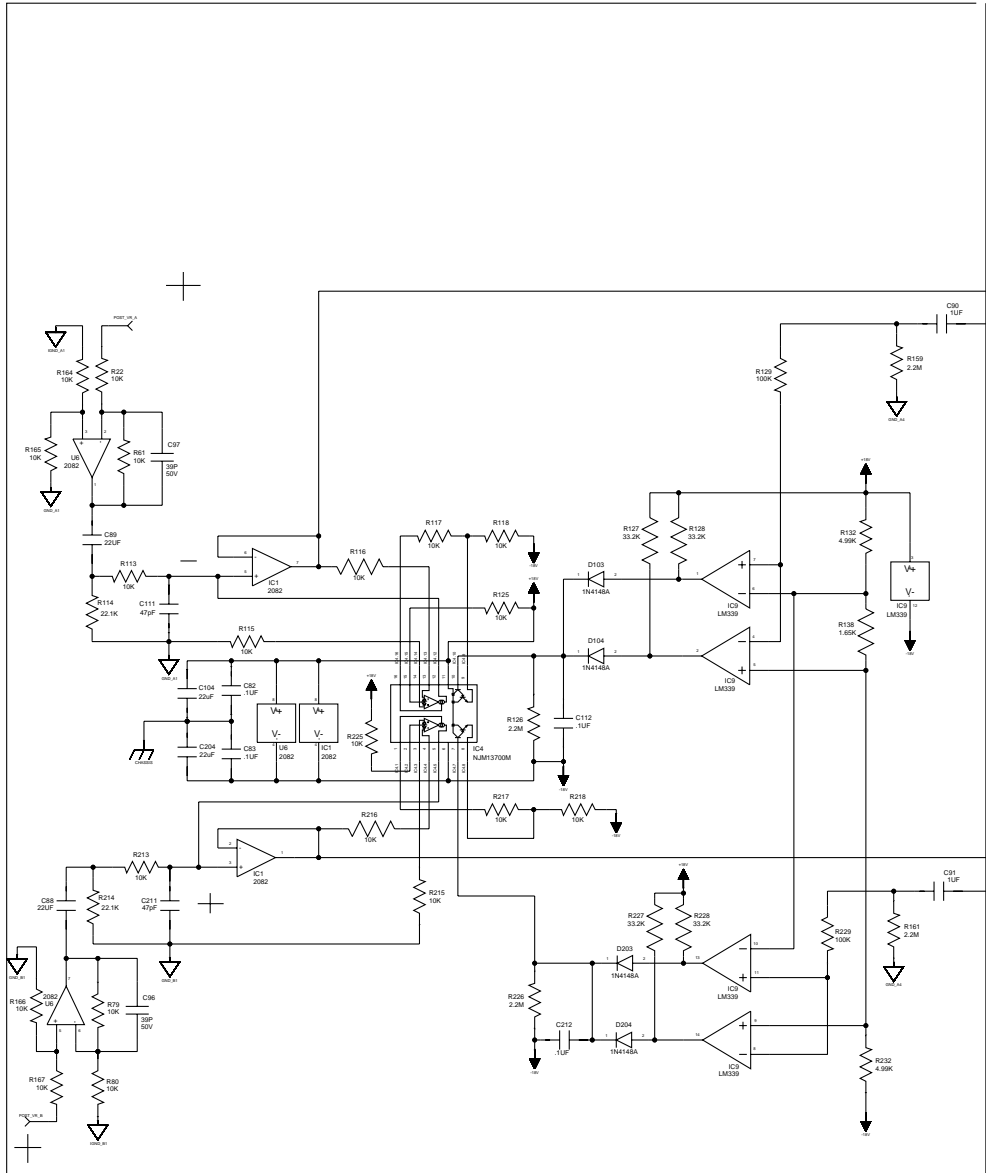


REVISION RECORD			
LTR	ECO NO.	APPROVED	DATE



F01 F02 F03 F04 F05 F06 F07 F08 F09 F10 F11 F12 F13 F14 F15 F16 F17 F18 F19 F20 F21 F22 F23 F24 F25 F26 F27 F28 F29 F30 F31 F32 F33 F34 F35 F36 F37 F38 F39 F40 F41 F42 F43 F44 F45 F46 F47 F48 F49 F50 F51 F52 F53 F54 F55 F56 F57 F58 F59 F60 F61 F62 F63 F64 F65 F66 F67 F68 F69 F70 F71 F72 F73 F74 F75 F76 F77 F78 F79 F80 F81 F82 F83 F84 F85 F86 F87 F88 F89 F90 F91 F92 F93 F94 F95 F96 F97 F98 F99 F100	DRAWN: jdb CHECKED: QUALITY CONTROL: RELEASED:	DATED: 10/08/07 DATED: DATED: DATED:
---	---	---

PEAVEY ELECTRONICS INC.			
TITLE: XR1212 Amplifier			
CODE:	SIZE:	DRAWING NO:	REV: 02
SCALE:			SHEET: 1 OF 1

REVISION RECORD			
LTR	ECO NO.	APPROVED	DATE

6

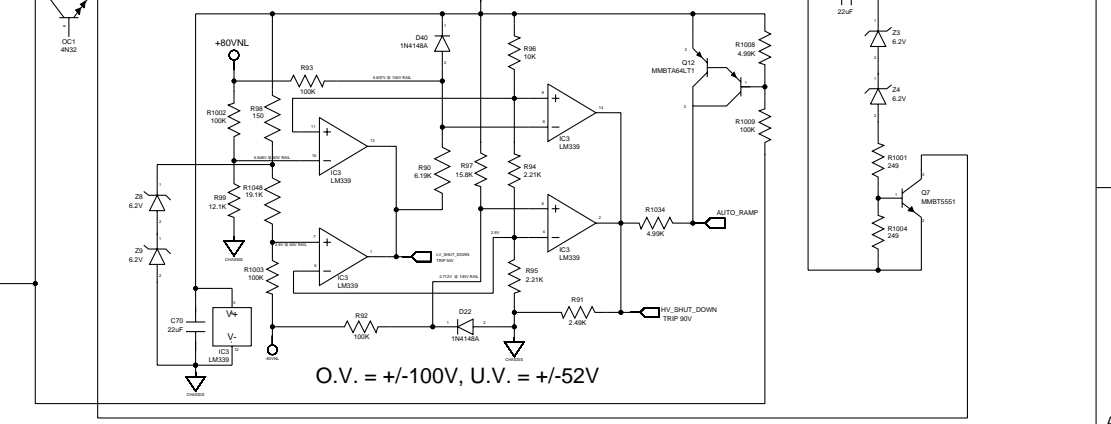
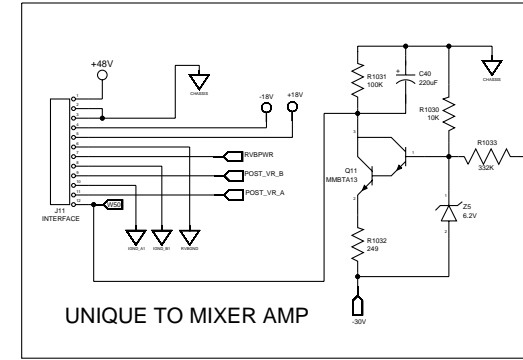
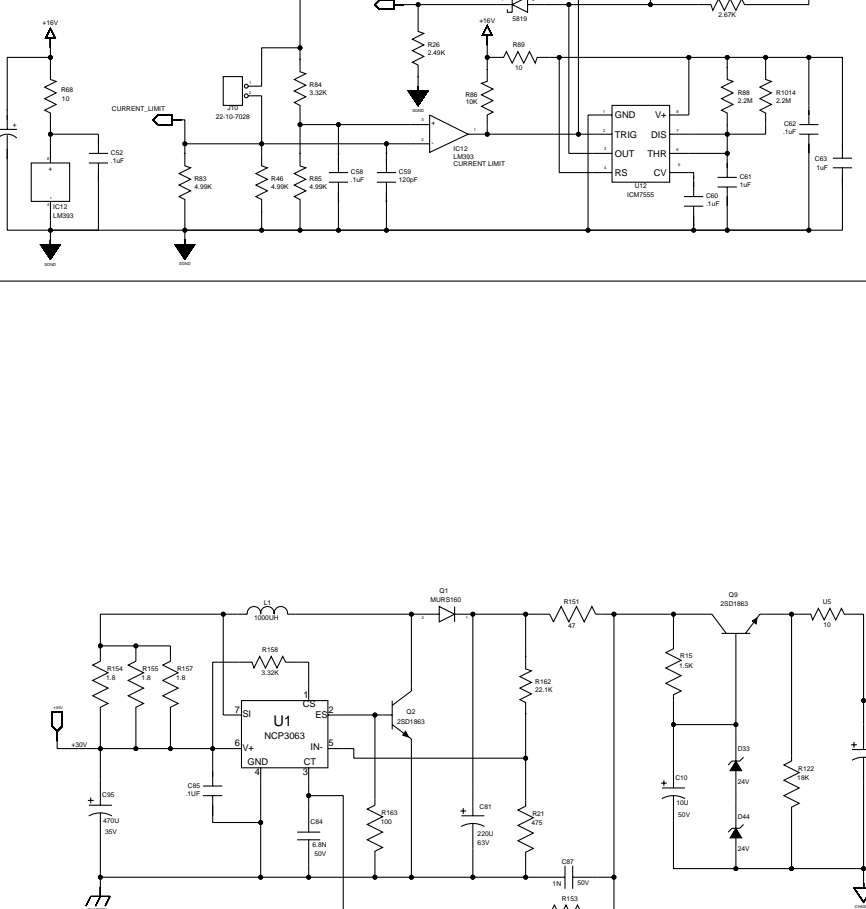
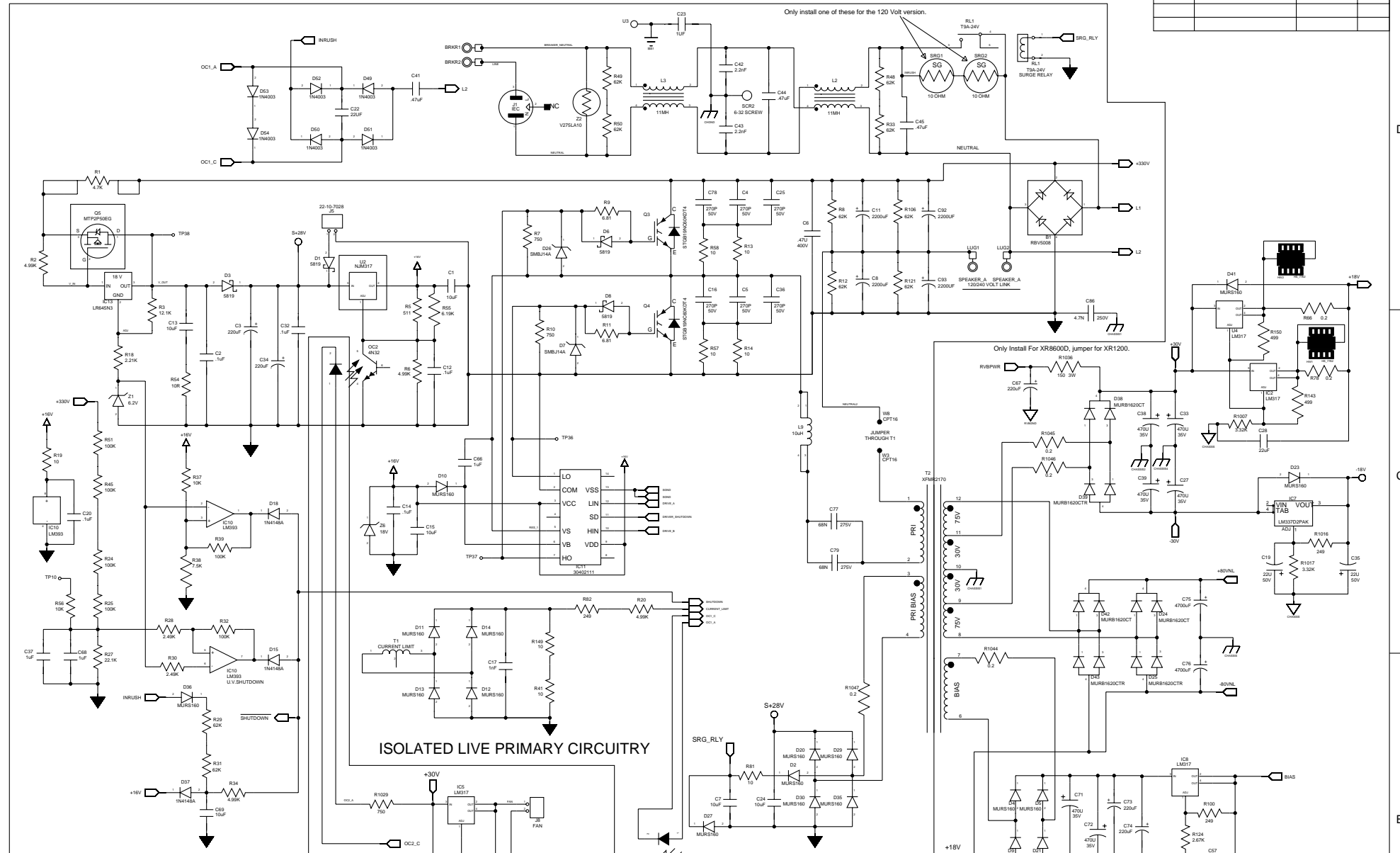
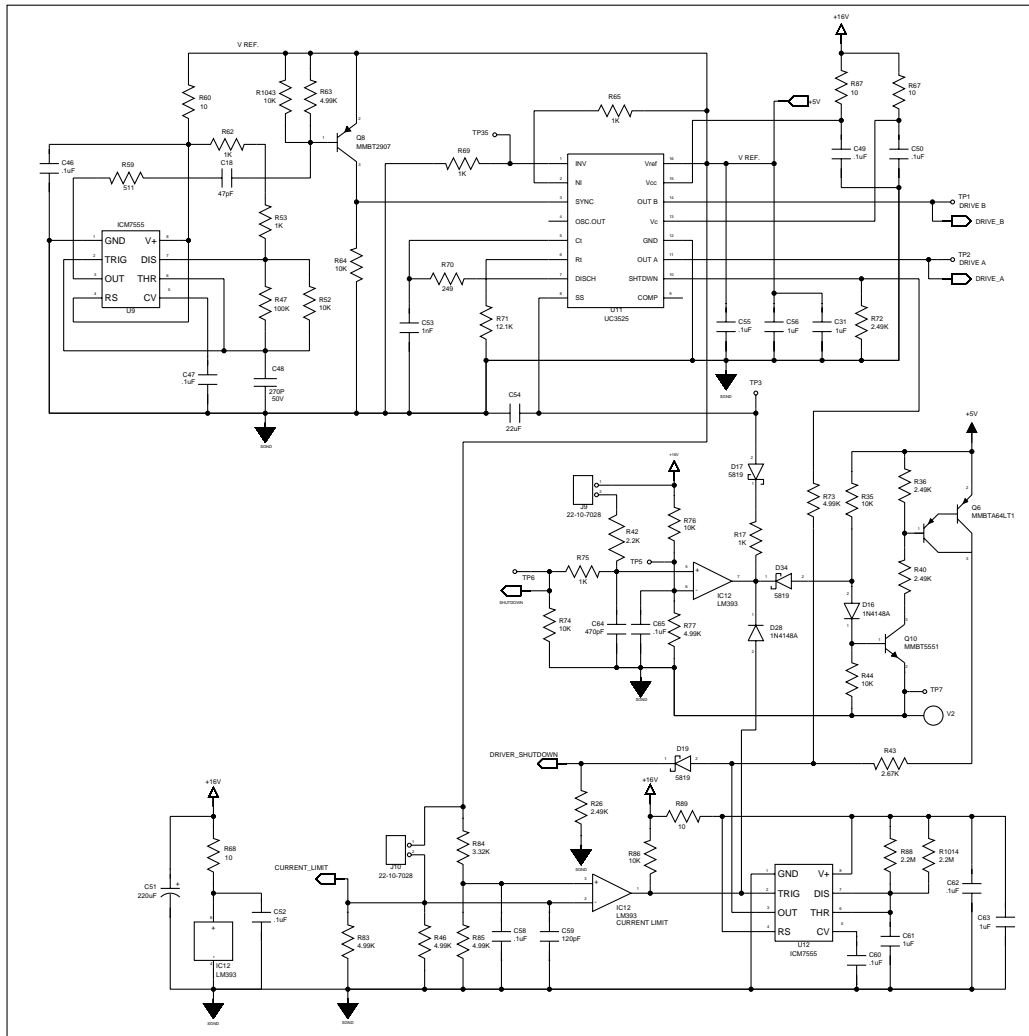
5

4

3

2

1



O.V. = +/-100V, U.V. = +/-52V

PCB Material FR-4/24 for a rating of 150C

PEAVEY ELECTRONICS INC.			
TITLE: Power Supply			
DRAWN: F.D.B.	DATED:	CODE:	SIZE: D
CHECKED:	DATED:	DRAWING NO.:	REV:
QUALITY CONTROL:	DATED:	SHEET 2 OF 2	
RELEASED:	DATED:	SCALE:	

D

C

B

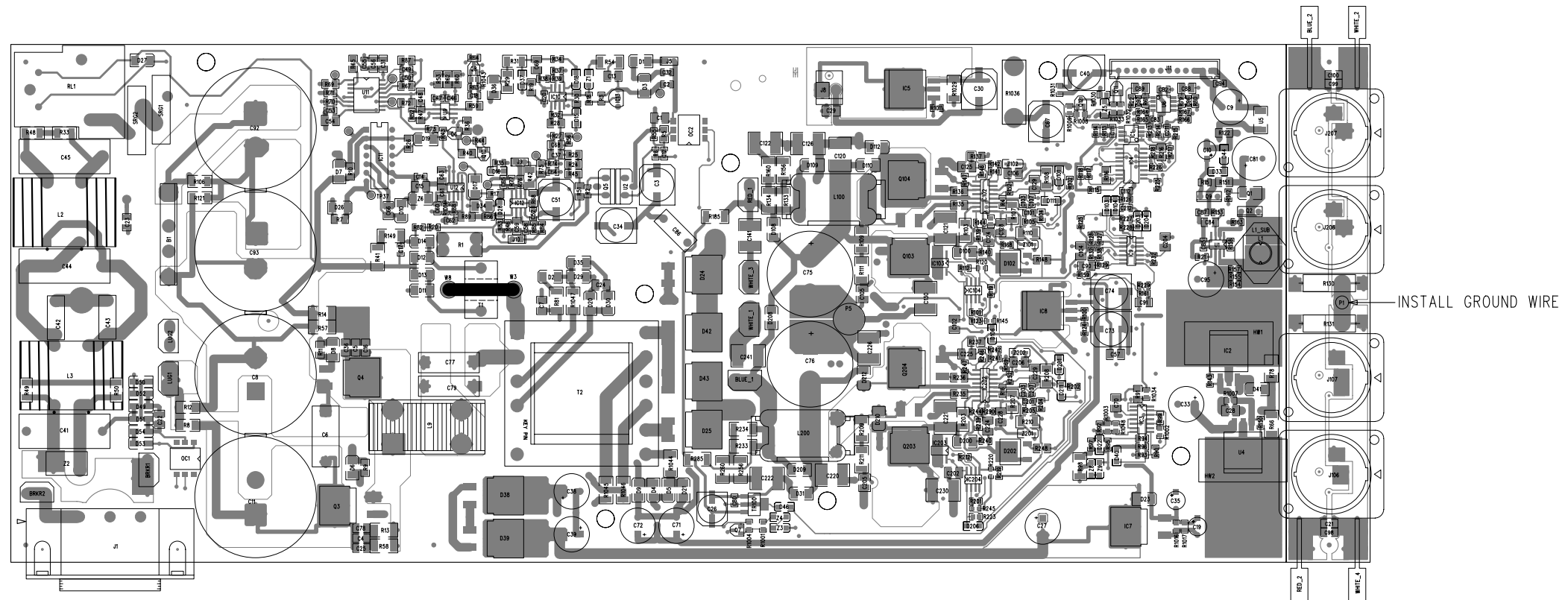
A

D

C

B

A



XR POWER SUPPLY □
PRIMARY SIDE VIEW

BILL OF MATERIAL REPORT

REPORT DATE/TIME: 10/4/2011 3:00:59 PM

BOARD NAME: XR Power Supply ASSEMBLY LEVEL NUMBER: 32202160

PROJECT NUMBER: P0700030 DESIGNER: FJE - 32101845

Qty.	Part #	Description	Reference Designators
1	30200030	18K 1/4W 5% MF 1206	R122
6	30200047	RESISTOR 1K 1/4W 1% SMD 1206	R17 R53 R62 R65 R69 R75
2	30200051	10K 1/4W 1% MF 1206	R116 R216
5	30200126	RESISTOR 100K 1/4W 1% 1206	R24 R25 R45 R47 R51
2	30200161	RESISTOR 511R 1/4W 1% SMD 1206	R5 R59
19	30200173	RESISTOR 4.99K 1/10W 1% MF 0805	R2 R6 R20 R34 R46 R63 R73 R77 R83 R85 R119 R132 R146 R219 R232 R246 R1008 R1011 R1034
32	30200174	RESISTOR 10K 1/10W 1% MF 0805	R22 R35 R37 R44 R52 R56 R61 R64 R74 R76 R79 R80 R86 R96 R113 R115 R117 R118 R125 R140

R164 R165 R166 R167
R213 R215 R217 R218
R225 R240 R1030 R1043

1	30200181	100	1/10W 1% MF 0805	R163
1	30200190	1.50K	1/10W 1% MF 0805	R15
1	30200191	1.65K	1/10W 1% MF 0805	R138
15	30200194	RESISTOR 100K	1/10W 1% SMD 0805	R32 R39 R92 R93 R102 R123 R129 R153 R202 R223 R229 R1002 R1003 R1009 R1031
1	30200195	1.00M	1/10W 1% MF 0805	R169
2	30200198	499	1/10W 1% MF 0805	R143 R150
6	30200202	RESISTOR 3.32K	1/10W 1% MF 0805	R84 R105 R158 R205 R1007 R1017
2	30200204	2.00K	1/10W 1% MF 0805	R142 R242
2	30200205	47.5K	1/10W 1% MF 0805	R152 R252
2	30200218	RESISTOR 750R0	1/4W 1% SMD 1206	R7 R10
7	30200224	RESISTOR 2K49	1/4W 1% SMD 1206	R26 R28 R30 R36 R40 R72 R91
14	30200235	RESISTOR 62K W5	5% SMD 2010	R8 R12 R29 R31 R33 R48 R49 R50 R103 R106 R107 R121 R203 R207

1	30200236	2.2K	1/2W	5% MF 2010	R42
2	30200237	RESISTOR 10K 1W 1% SMD 2512			R185 R285
17	30200239	RESISTOR 10R 1W 1% MF 2512			R13 R14 R41 R54 R57 R58 R81 R133 R134 R149 R156 R160 R233 R234 R256 R260 U5
3	30200240	1.80	1/10W	1% MF 0805	R154 R155 R157
4	30200250	3.48K	1/10W	1% MF 0805	R104 R139 R204 R239
1	30200255	RESISTOR 15.8K 1/10W 1% MF 0805			R97
6	30200256	RESISTOR 22.1K 1/10W 1% SMD 0805			R27 R101 R114 R162 R201 R214
3	30200267	RESISTOR 2.21K 1/10W 1% MF 0805			R18 R94 R95
2	30200283	RESISTOR 1.21K 1/10W 1% MF 0603			R145 R245
1	30200329	7.5K	1/10W	1% MF 0805	R38
6	30200330	33.2K	1/10W	1% MF 0805	R112 R127 R128 R212 R227 R228
2	30200337	82.5K	1/10W	1% MF 0805	R4 R16
1	30200339	10.0M	1/10W	1% MF 0805	R168
8	30200348	RESISTOR 10R 1/4W 1% SMD 1206			R19 R60 R67 R68 R87 R89 R137 R237

1	30200356	475	1/10W 1% MF 0805	R21
1	30200365	47	1/4W 5% FUSIBLE 1206	R151
6	30200375	6.19K	1/10W 1% MF 0805	R55 R90 R141 R144 R241 R244
3	30200376		RESISTOR 12.1K 1/10W 1% SMD 0805	R3 R71 R99
7	30200382		RESISTOR 249 1/10W 1% MF 0805	R70 R82 R100 R1001 R1004 R1016 R1032
1	30200388	150	1W 1% MF 2512	R98
4	30200413		RESISTOR 2.67K 1/10W 1% MF 0805	R43 R124 R147 R247
6	30200424	0.2	1W 5% MF 2512	R66 R78 R1044 R1045 R1046 R1047
1	30200431	332K	1/10W 1% MF 0805	R1033
8	30200443		RESISTOR 2.2M 1/10W 1% 0805	R88 R126 R159 R161 R190 R226 R290 R1014
2	30200456		RESISTOR 182 1/10W 1% MF 0603	R120 R220
1	30200513	19.1K	1/10W 1% 0805	R1048
2	30200529		RESISTOR 2.21R 1/4W 1% SMD 1206	R148 R248
4	30200530		RESISTOR 620 W5 5% SMD 2010	R108 R110 R208 R210
5	30200531		RESISTOR 750 1W 5% SMD 2512	R109 R111 R209 R211 R1029

6	30200547	RESISTOR 6.8R 1/4W 1% SMD 1206	R9 R11 R135 R136 R235 R236
2	30250086	10K 2W 5% MO AXL	R130 R131
1	30250218	RESISTOR 4.7K 7W VERTICAL	R1
1	30250221	MOV 275V RMS	Z2
1	30250283	150 3W 5% MO RADH VERT	R1036
2	30250293	10 OHM 9A INRUSH LIMITER	SRG1 SRG2
7	30300015	270PF 50V 5% NPO 1206	C4 C5 C16 C25 C36 C48 C78
1	30300082	CAPACITOR ELECTRO 1000uF/6.3V SMT8	C26
1	30300085	0.1UF 50V 20% Z5U 0805	C94
1	30300090	CAPACITOR CERAMIC C0G 470pF/50V SMD 0805	C64
1	30300091	1000PF 50V 5% NPO 0805	C87
8	30300098	CAPACITOR ELECTRO 220uF/50V SMT10	C3 C30 C34 C40 C51 C67 C73 C74
6	30300101	CAPACITOR POLY 100nF/250V SMD 2220	C120 C121 C122 C220 C221 C222
1	30300102	CAPACITOR POLY PHENYLENE 1U/16V SMD 1210	C66
1	30300103	CAPACITOR NPO 120pF 500V 5% 1206	C59

13	30300108	CAPACITOR CERAMIC Y5V 10UF/50V 20% SMD 1210	C1 C7 C13 C15
		C24 C29 C69 C106 C128 C129 C206 C228 C229	
3	30300111	CAPACITOR C0G 47pF/50V SMD 0805	C18 C111 C211
21	30300121	CAPACITOR X7R .1UF 50V 5% 0805	C2 C12 C14 C20 C32 C46 C47 C49 C50 C52 C55 C58 C60 C62 C65 C80 C82 C83 C85 C112 C212
9	30300130	CAPACITOR CERAMIC Y5V 1UF/25V SMD 1206	C23 C31 C37 C56
		C61 C63 C68 C90 C91	
1	30300192	6800PF 50V 5% PPS 1206	C84
2	30300220	39PF 50V 5% NPO 0603	C96 C97
6	30300242	CAPACITOR POLY .47uF/100VDC SMD 2220	C126 C130 C141 C226
		C230 C241	
15	30300259	CAPACITOR CERAMIC Y5V 22UF/25V 20% SMD 1210	C22 C28 C54 C57
		C70 C88 C89 C102 C104 C124 C125 C202 C204 C224 C225	
2	30300265	CAPACITOR NPO 100pF 500V 2% 1210	C105 C205
8	30300266	CAPACITOR NPO 1000pF SM 0805 1% 50V	C17 C53 C101 C103

C107 C201 C203 C207

4	30300273	270PF 500V 5% NPO 1206	C21 C98 C99 C100
2	30320181	22UF 50V 20% EL RAD	C19 C35
1	30320185	10UF 50V 20% ELL RAD	C10
1	30320264	100UF 63V 20% EL RAD	C9
3	30320271	CAPACITOR METALLIZED POLYESTER 4.7NF/250VAC .885 LS	
		C41 C44 C45	
4	30320297	CAPACITOR ELECTRO 2200UF/200V .394 L.S. 2 TERMINAL	C8
		C11 C92 C93	
2	30320322	CAPACITOR METALLIZED POLYESTER 2.2nF/250VAC .39 LS	
		C42 C43	
2	30320564	CAPACITOR ELECTRO 4700uF/80V	C75 C76
1	30320566	220UF 63V 20% EL LOW ESR	C81
7	30320678	470UF 35V 20% EL LO-ESR RAD	C27 C33 C38 C39
		C71 C72 C95	
1	30320691	0.47UF 400V 10% PE RADH	C6
2	30320697	0.068UF 275V 10% "X" RADH	C77 C79
1	30330227	4700PF 250V 20% "Y" RADH	C86
1	30400118	RECTIFIER MINIBRIDGE (50A)	B1

1	30400316	IC REGULATOR POS VOLT ADJ 2-24V	U2
1	30400645	IC REGULATOR HV SW MODE PS START-UP	IC13
2	30400979	24V ZENER (SOD123)-SMT	D33 D44
1	30401991	MOSFET POWER	Q5
1	30402110	IC HI & LO SIDE DRIVER	IC11
2	30418015	IC DUAL LM358 DUAL OPAMP SOIC8	IC104 IC204
1	30418051	TRANSISTOR NPN DARLINGTON SMD SOT-23	Q11
2	30418110	IC LM339D QUAD COMPARATOR-SMT SO14	IC3 IC9
2	30418137	TRANSISTOR NPN SMD SOT23	Q7 Q10
7	30418219	DIODE 1N5819 SCHOTTKY (1A,40V) SMB	D1 D3 D6 D8 D17 D19 D34
1	30418231	IC DUAL OTA SMD SO-16	IC4
2	30418252	IC TEMP SENSOR SMD SO-8	IC103 IC203
1	30418270	DIODE ZENER (18V, 3W) SMD SMB	Z6
10	30418271	DIODE,ZENER (6.2V,500mW) SMD SOD-123	Z1 Z3 Z4 Z5 Z8 Z9 Z101 Z102 Z201 Z202
26	30418272	DIODE ULTRA FAST (1A,600V) SMB	D2 D4 D5 D9 D10 D11 D12 D13 D14 D20 D21 D23 D27 D29 D30 D31 D35 D36 D41 D100 D110 D112 D200 D210

D212 Q1

2	30418274	IC DUAL COMPARATOR SMD SO-8	IC10 IC12
2	30418279	IC TIMER 18V CMOS VERSION SMD SO8	U9 U12
1	30418280	IC HIGH SPEED PWM CONTROL SMD SO-16W	U11
1	30418284	TRANSISTOR PNP SMD SOT23	Q8
18	30418328	DIODE (500MW) SOD123	D15 D16 D18 D22 D28 D37 D40 D46 D101 D103 D104 D106 D111 D201 D203 D204 D206 D211
2	30418382	TRANSISTOR DARLINGTON PNP SOT23	Q6 Q12
2	30418501	DIODE TRANSIENT SUPPRESSOR SMD DO-214AA	D7 D26
2	30418550	IC OP-AMP BIFET SMD DMP8	IC1 U6
2	30418651	IC HIGH & LOW SIDE DRIVER WITH S/D	IC102 IC202
2	30418697	DIODE 1A SiC RECT TO252	D102 D202
1	30418699	TRIAC 800mA SOT223	TR100
3	30418704	RECTIFIER DUAL COMMON CATHODE (16 AMP) SMD TO263AB	D24 D38 D42
3	30418705	RECTIFIER DUAL ULTRA FAST COMMON ANODE (16 AMP, 200V)	D25 D39 D43
4	30418706	IC REGULATOR POS VOLT REG. 1.5A ADJ 2-30V D2PAK	IC2 IC5 IC8 U4

1	30418742	NCP3063 DC/DC CONV CTRL IC SMT	U1
4	30418745	MOSFET N-CHAN 200V 62 AMPS	Q103 Q104 Q203 Q204
2	30418748	OPTO COUPLER, DARLINGTON SM	OC1 OC2
6	30418749	DIODE 1A, 800V SMA	D49 D50 D51 D52 D53 D54
1	30418750	LM337 1.5A ADJ NEG REGULATOR	IC7
2	30418876	IGBT 20A 600V N-CH D2PAK	Q3 Q4
4	30419246	DIODE 3A 400V FAST RECOVERY SMB	D108 D109 D208 D209
2	30422008	2SD1863, NPN, 1A, 80V RAD	Q2 Q9
1	30500148	RESONANT INDUCTOR 10uH 20 AMPS	L9
1	30500149	XR SWITCHING SUPPLY XFMR	T2
2	30500154	11MH, 5A, EMI FILTER CHOKE	L2 L3
2	30500891	INDUCTOR 18.5uH 13.2 AMPS VTM120 CARRIER	L100 L200
1	30500917	1000UH IND 0.4A SHD SMT	L1
1	30551718	CURRENT TRANSFORMER 100:1	T1
1	30901428	AC IEC CONN RT ANGLE PCB MT	J1
2	30907762	AAVID TO263 SMT HEATSINK	HW1 HW2
1	31322388	RELAY SPST 24VDC	RL1

4 31466475 PCB CONN., 2-POLE 1/4" SPEAKON J106 J107 J206 J207
 1 31500293 SCREW 6-32 PHILIPS SEMS 5/16" ZINC SCR2
 1 33713813 WR-TO-BD CRIMP TERM 18GA P1
 1 33716730 CONNECTOR 0.1" CTR 12 PIN VERTICAL SHROUDED TIN J11
 4 33716927 TAB RA 1/4" BLUE_2 RED_2 WHITE_2 WHITE_4
 3 33717261 CONNECTOR HEADER 2 PIN 0.1" TIN J5 J9 J10
 1 33719107 HEADER LOCKING 2 PIN .156 TIN J8
 8 33719167 TAB 1/4" #1021 BLUE_1 BRKR1 BRKR2 LUG1
 LUG2 RED_1 WHITE_1 WHITE_3
 2 CABL13817 16GA W/CRIMP TERM 73713817 W3 W8
 1 IND_SUB *** SUBSTITUTE FOOT PRINT *** L1_SUB
 17 STAR_GND STAR GROUND JUMPER 0R R1021 R1024 R1025 R1026
 R1027 R1028 R1039 R1049
 R1050 R1051 R1052 R1053
 R1054 R1055 R2049 U7
 U10

 END OF BILL OF MATERIAL REPORT
