

R137 1 meg linear-bass  
 R138 10K  
 R139 120K  
 R140 1 meg linear-trbl  
 R141 22K  
 R142 2.2K  
 R143 470K

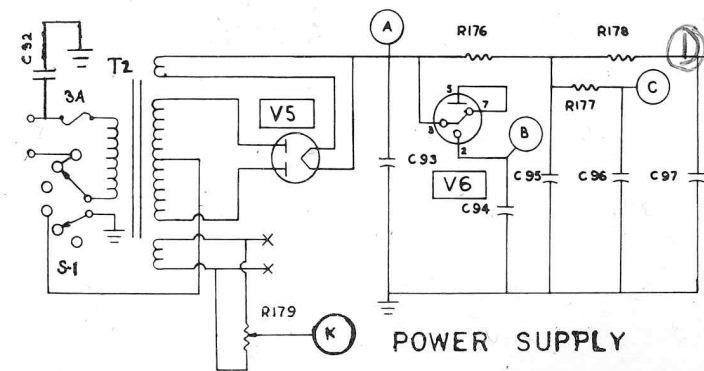
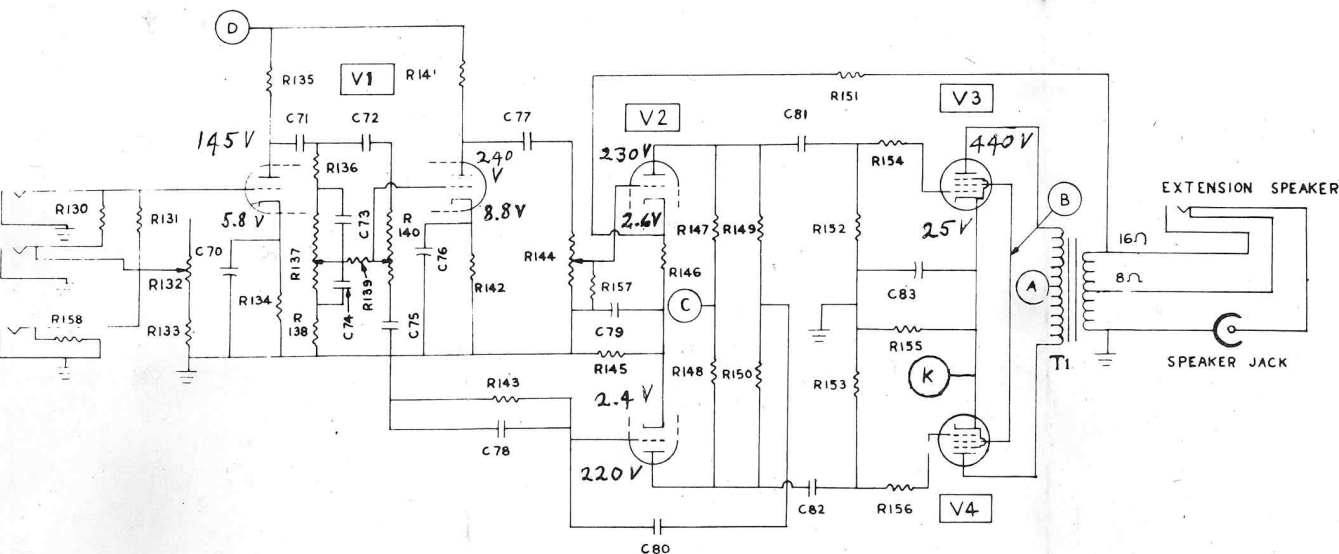
R144 1 meg audio-volume  
 R145 1K  
 R146 220 ohms  
 R147 120K  
 R148 120K  
 R149 470K  
 R150 510K - 5%  
 R151 10K  
 R152 270K  
 R153 270K  
 R154 1K  
 R155 175 ohms - 10 watt  
 R156 1K  
 R157 1 meg

R158 1 meg  
 R176 1K - 10 watt  
 R177 22K - 1 watt  
 R178 22K - 1 watt  
 R179 300 ohm - linear  
 C70 100 mfd 12v  
 C71 .02 " 400v  
 C72 .0005 " disc  
 C73 .002 " 400v  
 C74 .02 " 400v  
 C75 .002 " 400v  
 C76 100 " 12v  
 C77 .02 " 400v

C78 .0005mfd disc  
 C79 100 " 25v  
 C80 .02 " 400v  
 C81 .02 " 400v  
 C82 .02 " 400v  
 C92 .1 " 400v  
 C93 40 " 500v  
 C94 40 " 500v  
 C95 20 " 450v  
 C96 20 " 450v  
 C97 20 " 450v

V1 6CG7  
 V2 6SL7  
 V3 EL37  
 V4 EL37  
 V5 5U4  
 V6 OC3  
 S1 2 pole 3 pos.  
 fuse 3 amps

T1 Stancor A8056  
 T2 Stancor PC8412



**MODEL 835-N**  
 Ampeg Co. 54-06 ROOSEVELT AV  
 WOODSIDE, NEW YORK