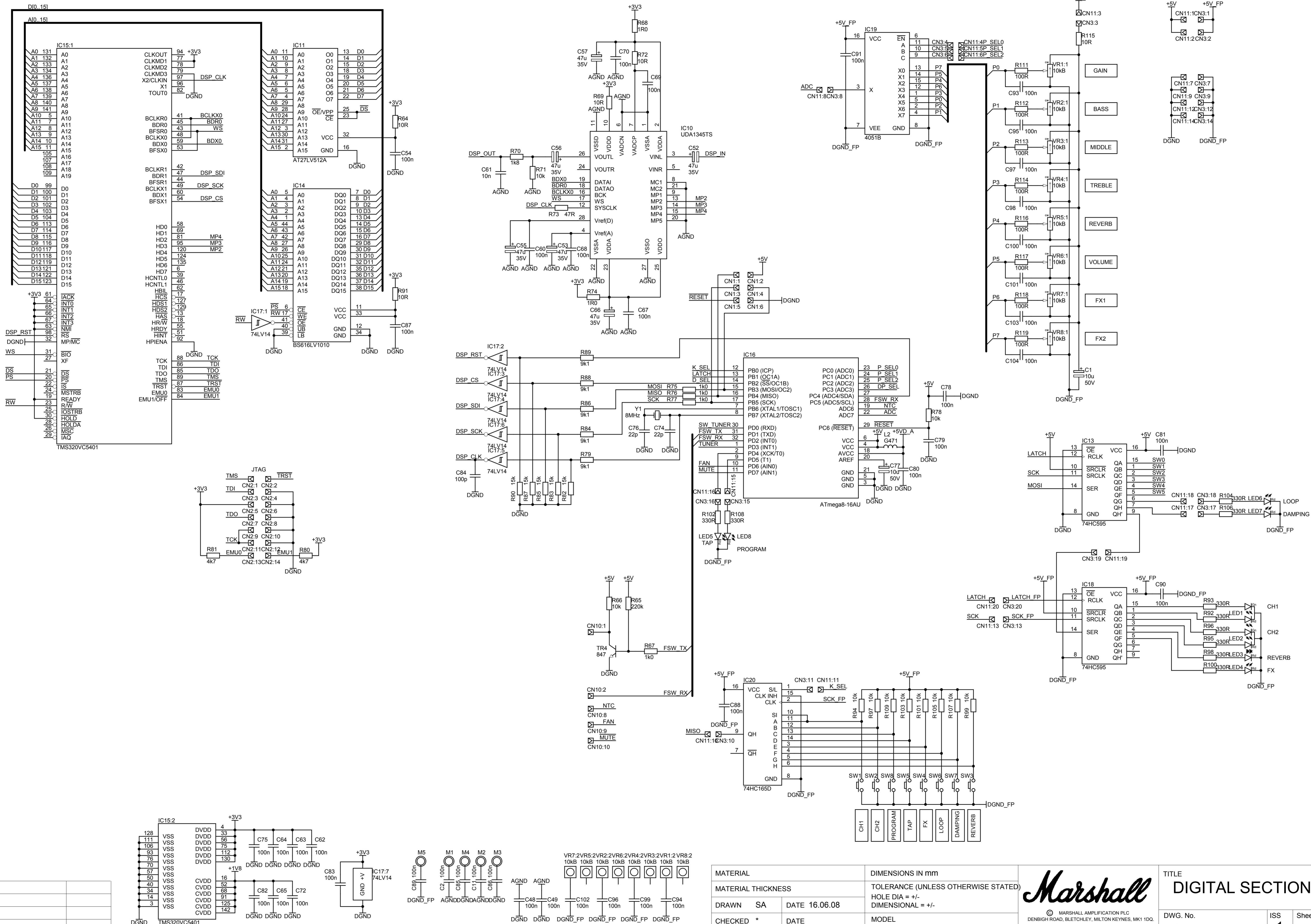


ISS	ECO NUMBER	DATE

MATERIAL		DIMENSIONS IN mm	
MATERIAL THICKNESS		TOLERANCE (UNLESS OTHERWISE STATED)	
DRAWN SA	DATE 16.06.08	HOLE DIA = +/-	
CHECKED	DATE	DIMENSIONAL = +/-	
APPROVED	DATE	MODEL	
		MG100FX/MG50FX	

<p>MARSHALL AMPLIFICATION PLC DENBIGH ROAD, BLETCHLEY, MILTON KEYNES, MK1 1DQ. TEL (01908) 375411 FAX (01908) 376118</p>		TITLE	
		ANALOG SECTION	
DWG. No.	ISS	Sheet	
MG100FX-60-02	1	1 of 2	
File:MG100FXSheet1.SchDoc		Date:24/02/2009	

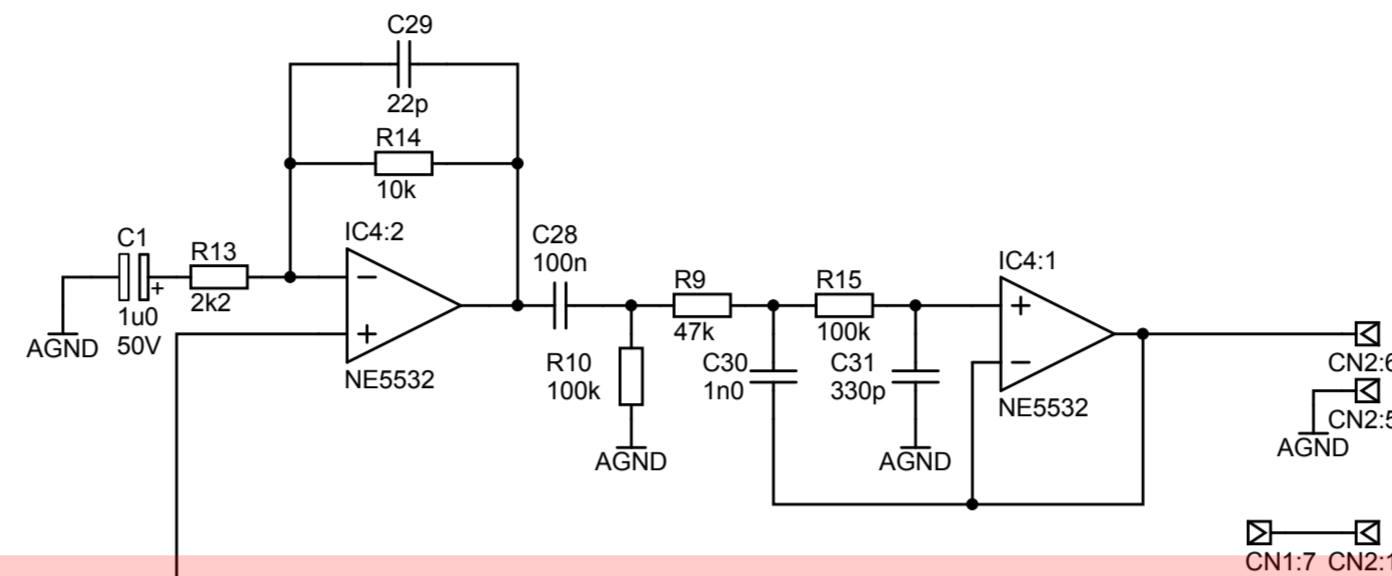
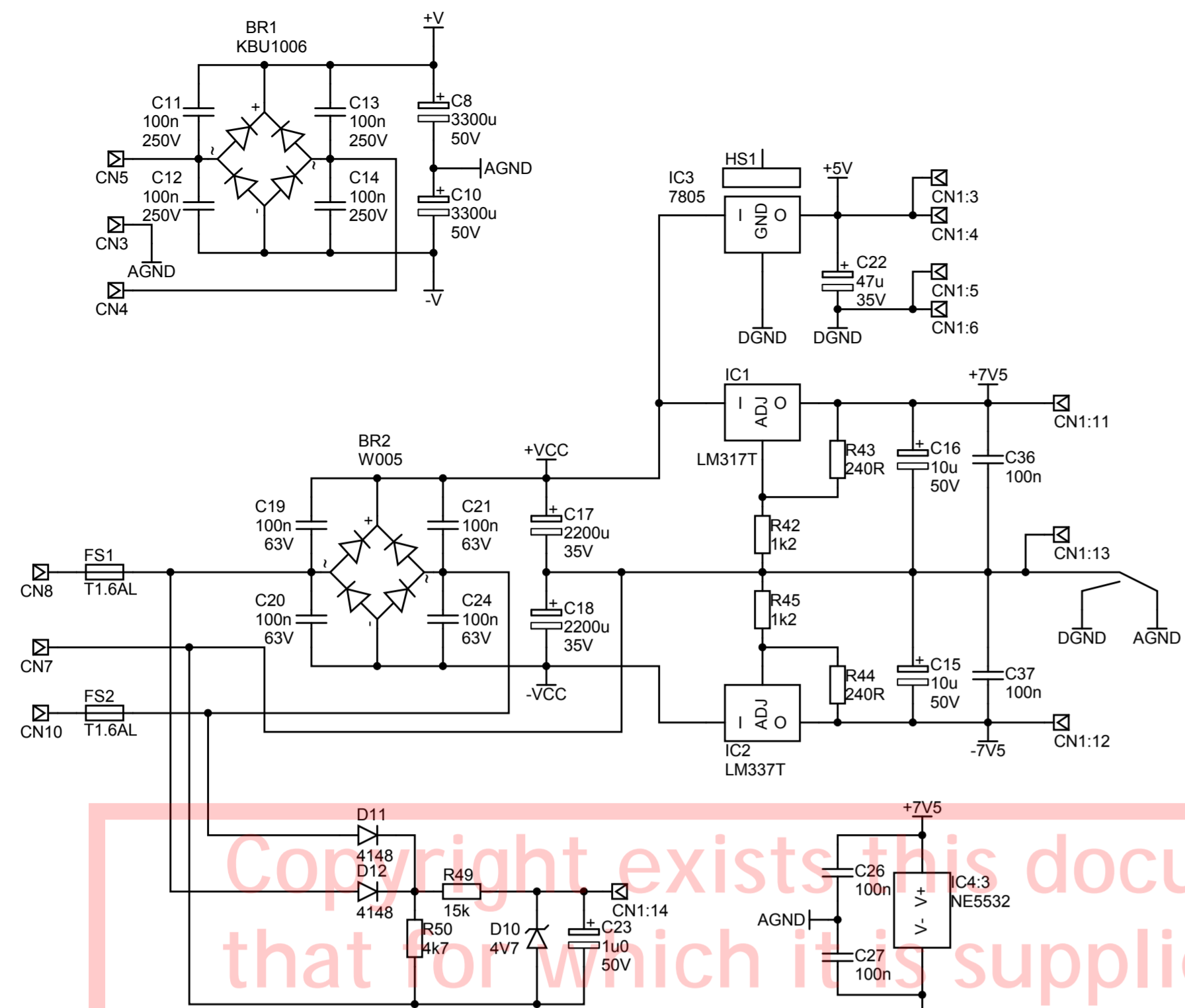


MATERIAL		DIMENSIONS IN mm	
MATERIAL THICKNESS		TOLERANCE (UNLESS OTHERWISE STATED)	
DRAWN SA	DATE 16.06.08	HOLE DIA = +/-	
CHECKED *	DATE	DIMENSIONAL = +/-	
APPROVED *	DATE	MODEL	
		MG100FX/MG50FX	

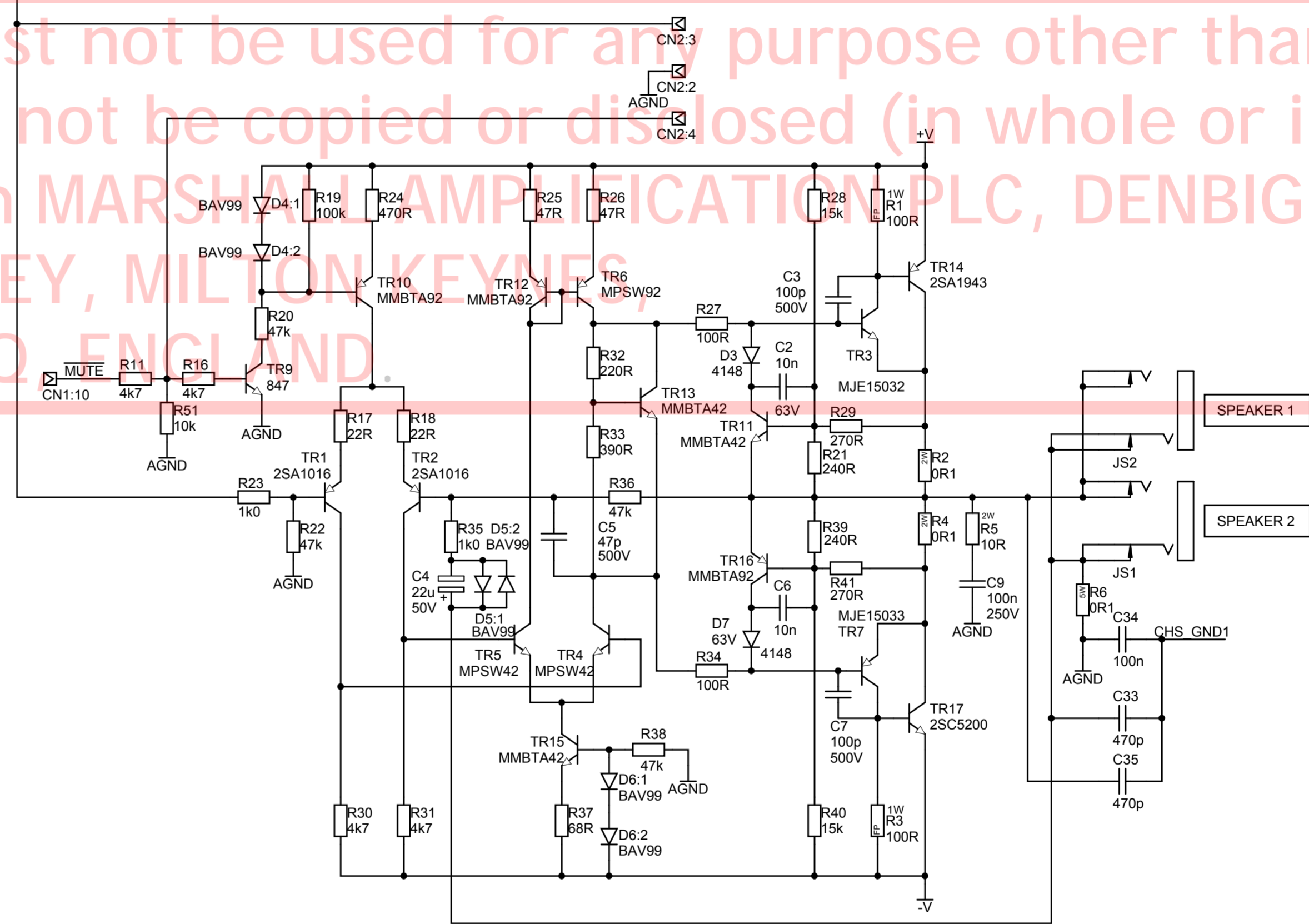
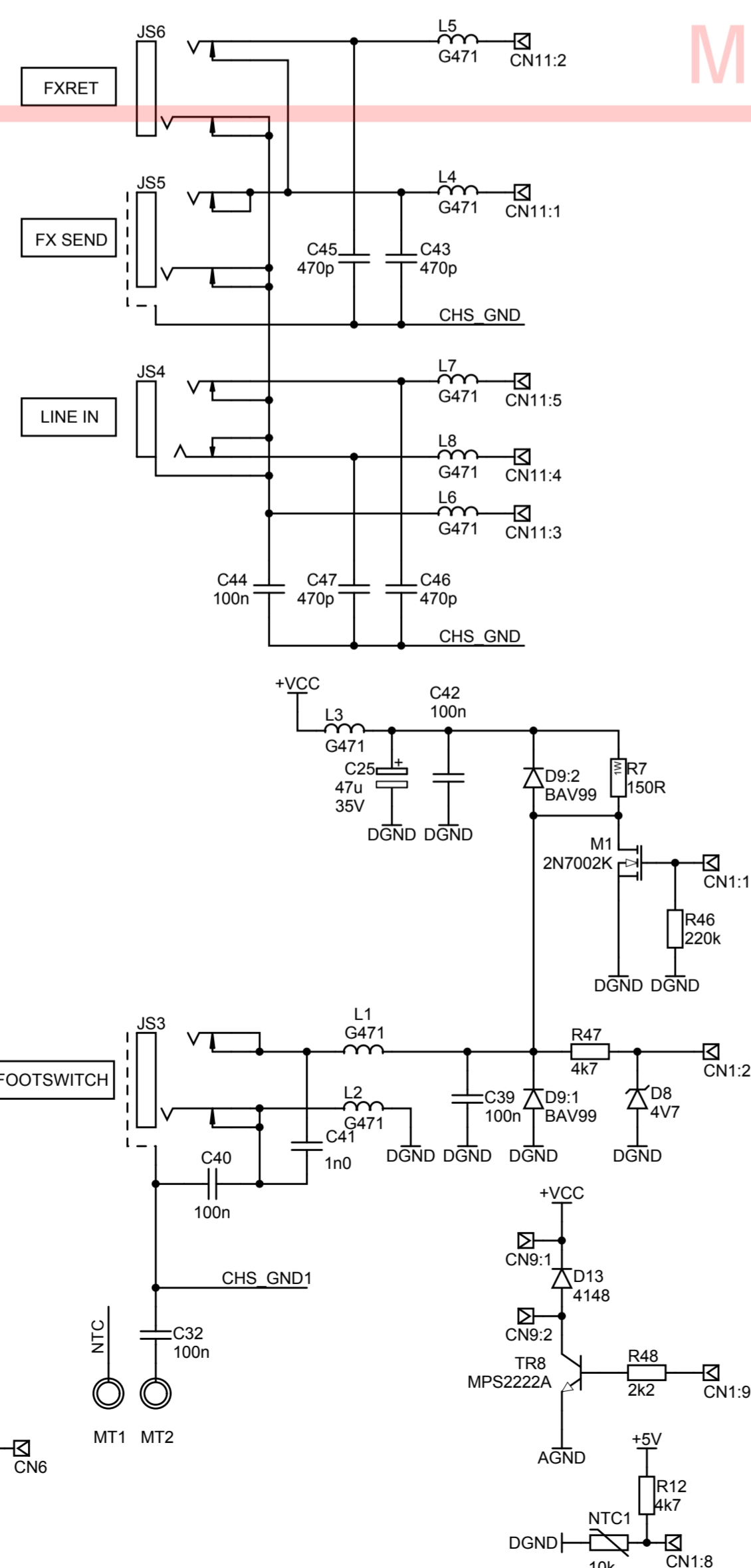


TITLE		
DIGITAL SECTION		
DWG. No.	ISS	Sheet
MG100FX-60-02	1	2 of 2
Date: 24/02/2009		

ISS	ECO NUMBER	DATE
-----	------------	------



Copyright exists in this document. It must not be used for any purpose other than that for which it is supplied and must not be copied or disclosed (in whole or in part) without written permission from MARSHALL AMPLIFICATION PLC, DENBIGH ROAD, BLETCHLEY, MILTON KEYNES, MK1 1DQ, ENGLAND.



MATERIAL		DIMENSIONS IN mm	
MATERIAL THICKNESS		TOLERANCE (UNLESS OTHERWISE STATED)	
DRAWN	SA	HOLE DIA = +/-	
DATE 18.06.08		DIMENSIONAL = +/-	
CHECKED	DATE	MODEL	
APPROVED	DATE	MG100FX	

DIMENSIONS IN mm	
TOLERANCE (UNLESS OTHERWISE STATED)	
HOLE DIA = +/-	
DIMENSIONAL = +/-	
MODEL	
MG100FX	

Marshall

MARSHALL AMPLIFICATION PLC
DENBIGH ROAD, BLETCHLEY, MILTON KEYNES, MK1 1DQ.
TEL (01908) 375411 FAX (01908) 376118

TITLE		
POWER AMPLIFIER		
DWG. No.	ISS	Sheet
MG100FX-61-02	1	1 of 1
Date: 24/02/2009		

ISS	ECO NUMBER	DATE